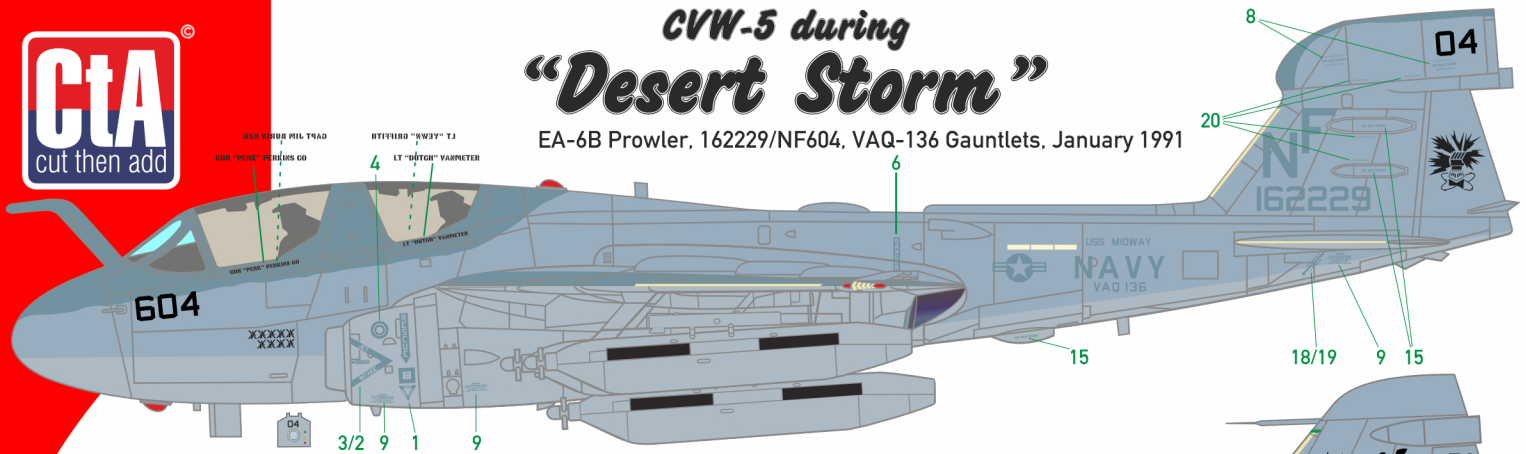


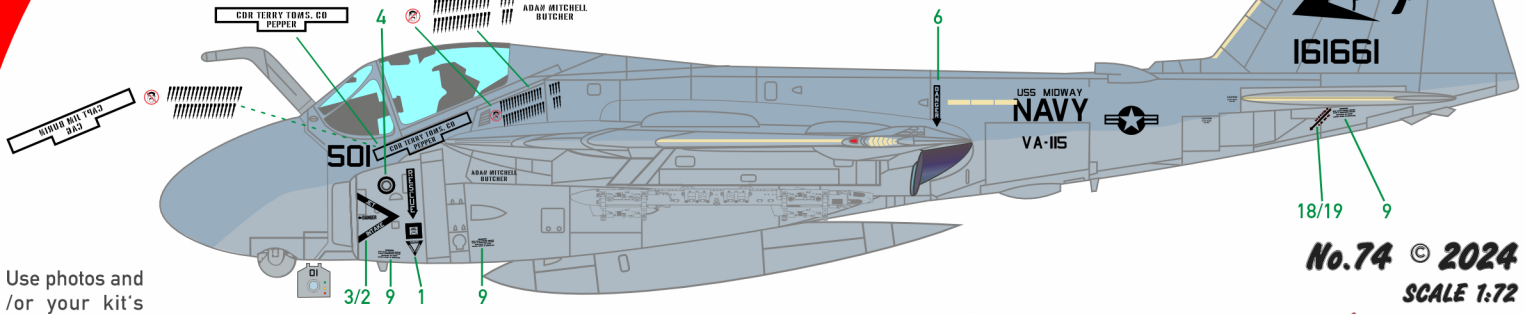


CVW-5 during "Desert Storm"

EA-6B Prowler, 162229/NF604, VAQ-136 Gauntlets, January 1991



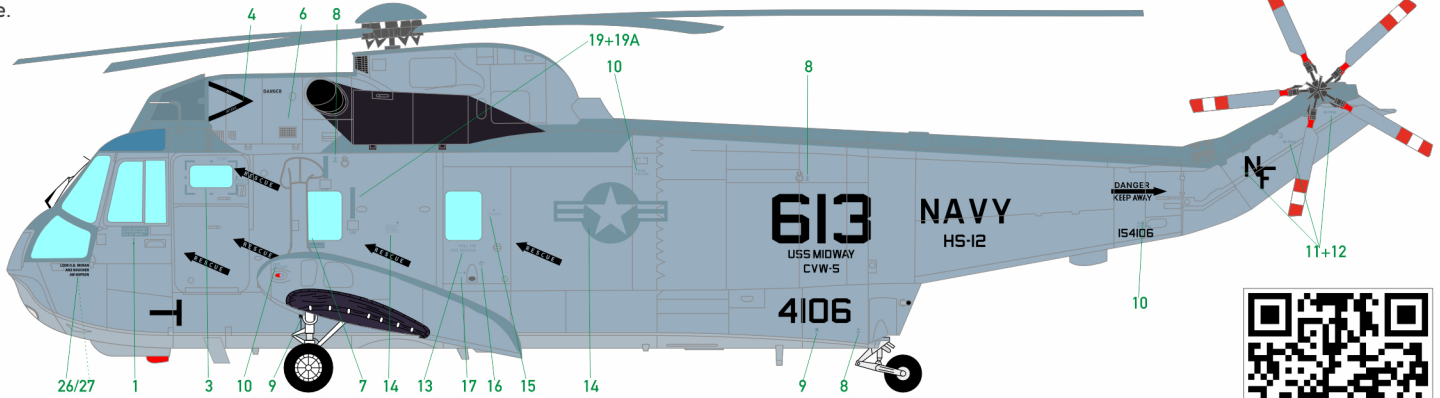
A-6E Intruder, 161661/NF501, VA-115 Eagles, January 1991



Use photos and/or your kit's manual for reference.

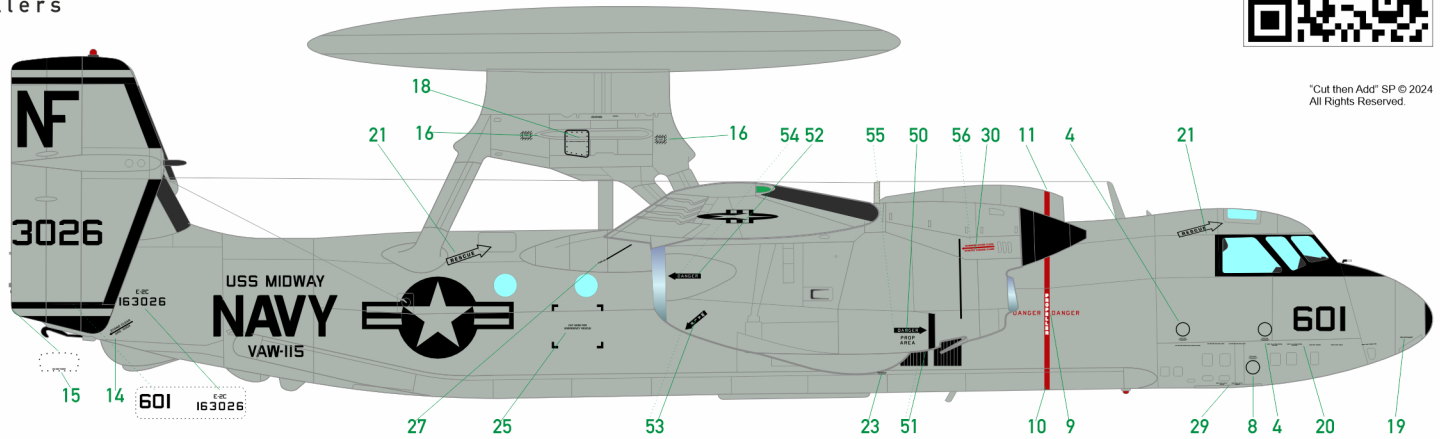
No.74 © 2024
SCALE 1:72

SH-3H Sea King, 154106/NF613, HS-12 Wyverns, January 1991



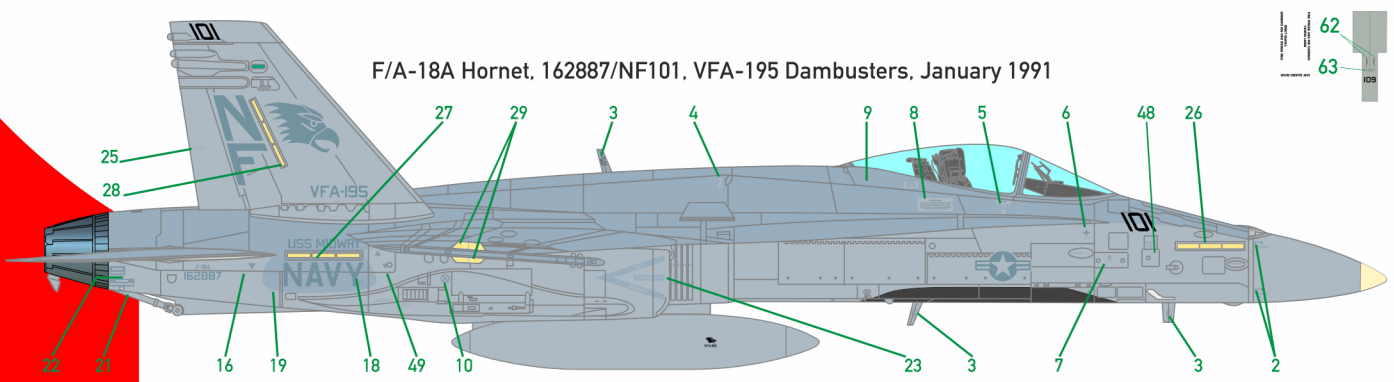
For experienced modellers

E-2C Hawkeye, 163026/NF601, WAV-115 Black Eagles, January 1991



"Cut then Add" SP © 2024
All Rights Reserved.

F/A-18A Hornet, 162887/NF101, VFA-195 Dambusters, January 1991



No.74
SCALE 1:72

FS 595 Color Chart

33613

35237

36320

36375

16440

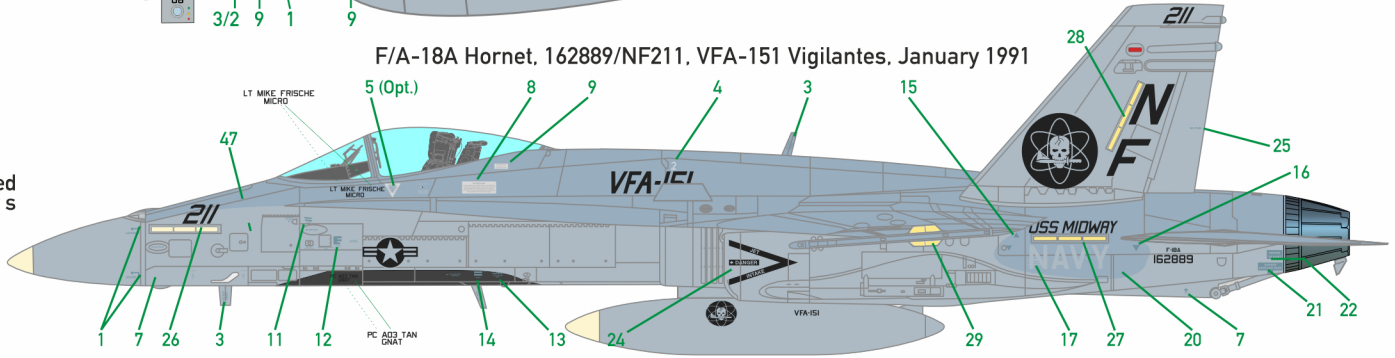
CTAMODELS.COM

CVW-5 during "Desert Storm"

A-6E Intruder, 161233/NF406, VA-185 Nighthawks, January 1991

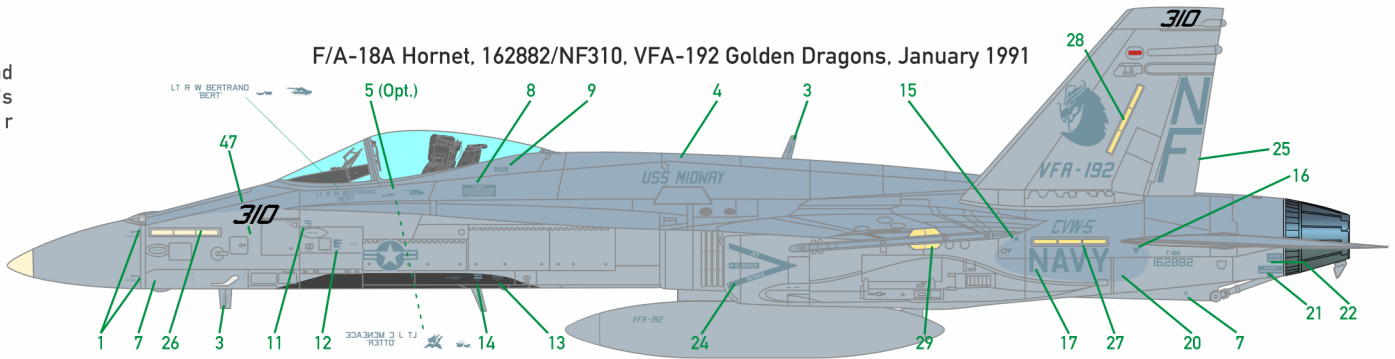


F/A-18A Hornet, 162889/NF211, VFA-151 Vigilantes, January 1991

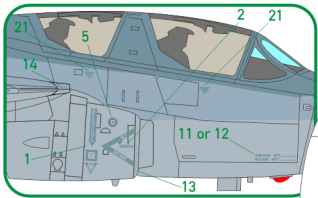


For experienced modellers

F/A-18A Hornet, 162882/NF310, VFA-192 Golden Dragons, January 1991



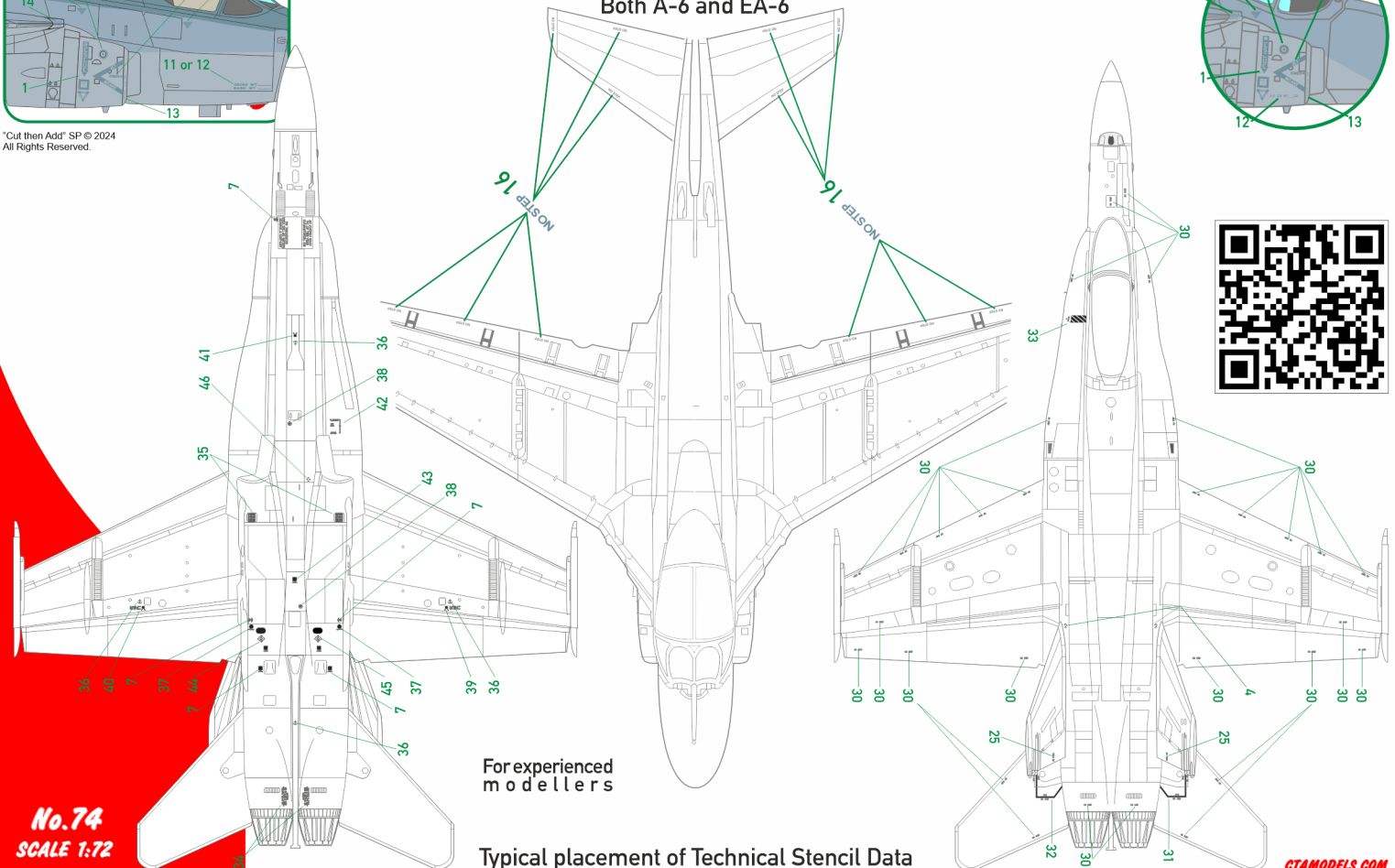
Use photos and/or your kit's manual for reference.



FS 595 Color Chart

33613	35237	36320	36375	16440
-------	-------	-------	-------	-------

Both A-6 and EA-6

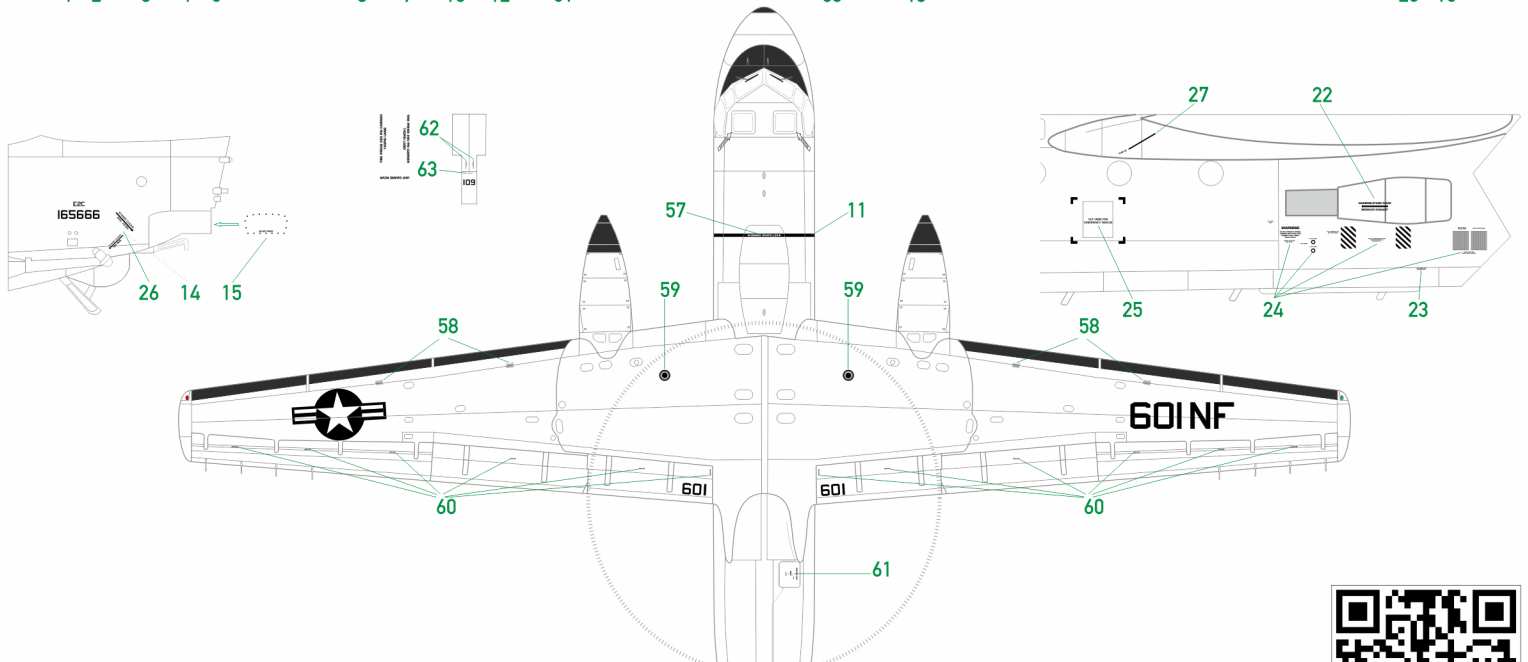
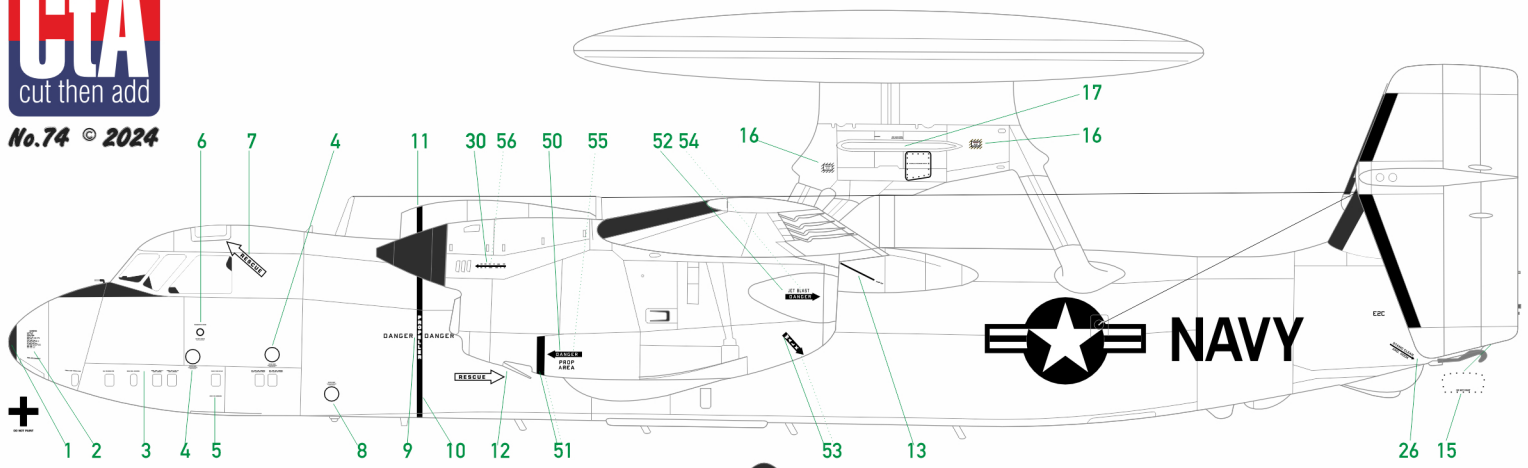


For experienced modellers

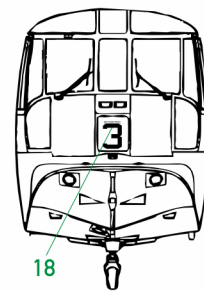
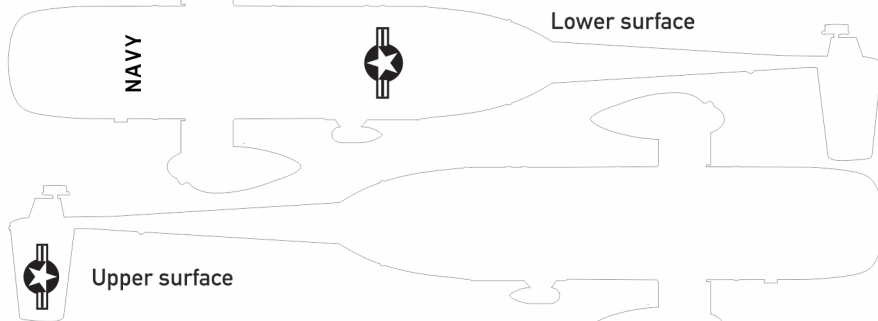
Typical placement of Technical Stencil Data



Typical placement of Technical Stencil Data



Use photos and/or your kit's manual for reference.



For experienced modellers

