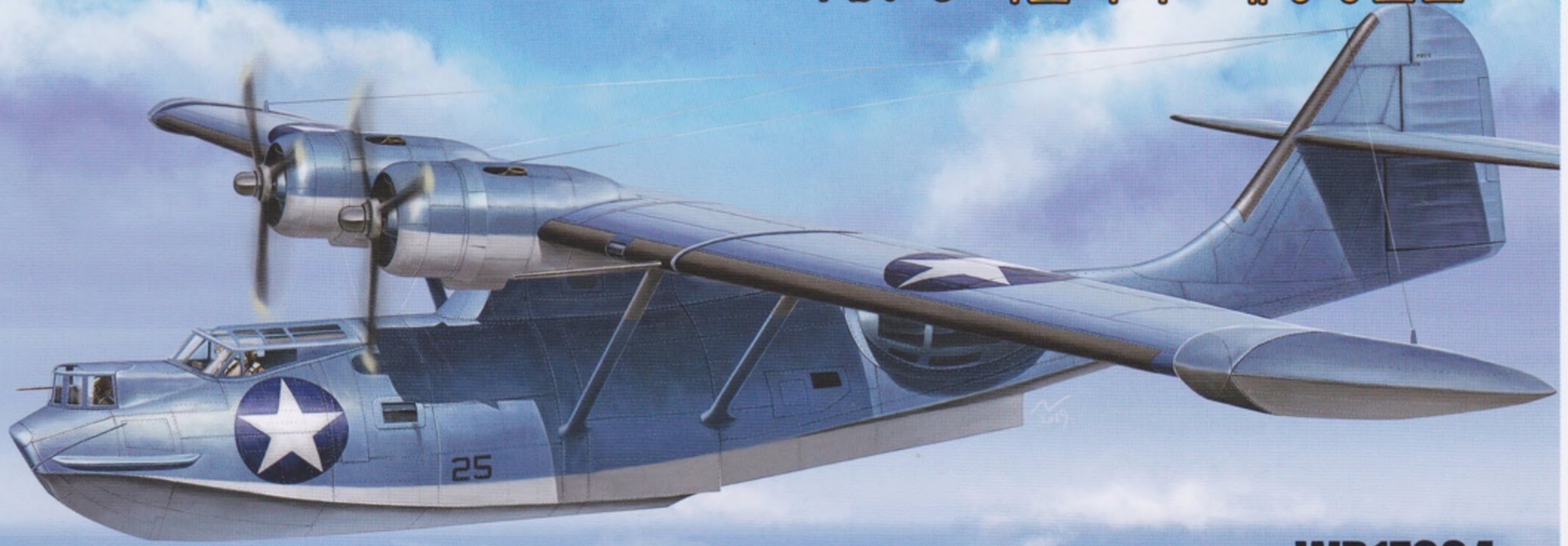


Wolfpack

www.wolfpack-d.com

PBY-5 Catalina 'Pacific Theater'

PBY-5 카탈리나 '태평양전선'



WP17204

**1/72
Scale**

The Consolidated PBY Catalina is an American flying boat, and later an amphibious aircraft of the 1930s and 1940s produced by Consolidated Aircraft. It was one of the most widely used seaplanes of World War II. Catalinas served with every branch of the United States Armed Forces and in the air forces and navies of many other nations.

During World War II, PBYs were used in anti-submarine warfare, patrol bombing, convoy escort, search and rescue missions (especially air-sea rescue), and cargo transport. The PBY was the most numerous aircraft of its kind, and the last military PBYs served until the 1980s.

The PBY-5 is Catalina's fifth production variation with an improved engine and a rear view canopies with improved visibility. A total of 684 vehicles were produced, and after the mass production, the improved PBY-5A with retractable landing gear was mass-produced.

PBY 카탈리나(Consolidated PBY Catalina)는 '컨솔리데이티드 에어크래프트'에서 제작한 비행정으로 제2차 세계대전 중 가장 폭넓게 쓰인 수상 비행기였다. 이 기종은 제2차 세계대전 중 미 해군을 중심으로 미육군항공대(USAAF), 영국과 영연방공군, 소련, 브라질 등 대부분의 연합군에서 폭넓게 사용되었다. 제2차 세계 대전 동안, PBY는 대잠수함전, 초계 폭격, 호송, 탐색 구조 임무 (특히 해상 구조), 화물운송 등에 사용되었다. PBY는 가장 다양한 종류의 기종이 존재했고, 1980년대까지는 민간과 군사용으로 사용되었다. 첫 비행으로부터 80년 가까이 이르는 2014년에도 카탈리나는 비행이 가능한 기체가 다수 남아있다.

PBY-5는 카탈리나의 다섯번째 양산형으로 개량된 엔진과 시야가 개선된 후방 캐노피를 갖춘 형식이다. PBY-5는 총 684대가 제작됐으며 이후 수납형 랜딩기어를 장착한 개량형인 PBY-5A가 양산이 진행되었다.



Photo by Metro Studio

Contains one unassembled model kit only.
No Paint and Cement in box.
Kit suitable for Age 14 to Adult.

조립되지 않은 키트가 들어있습니다.
접착제와 도료는 들어있지 않습니다.
15세 이상 판매용

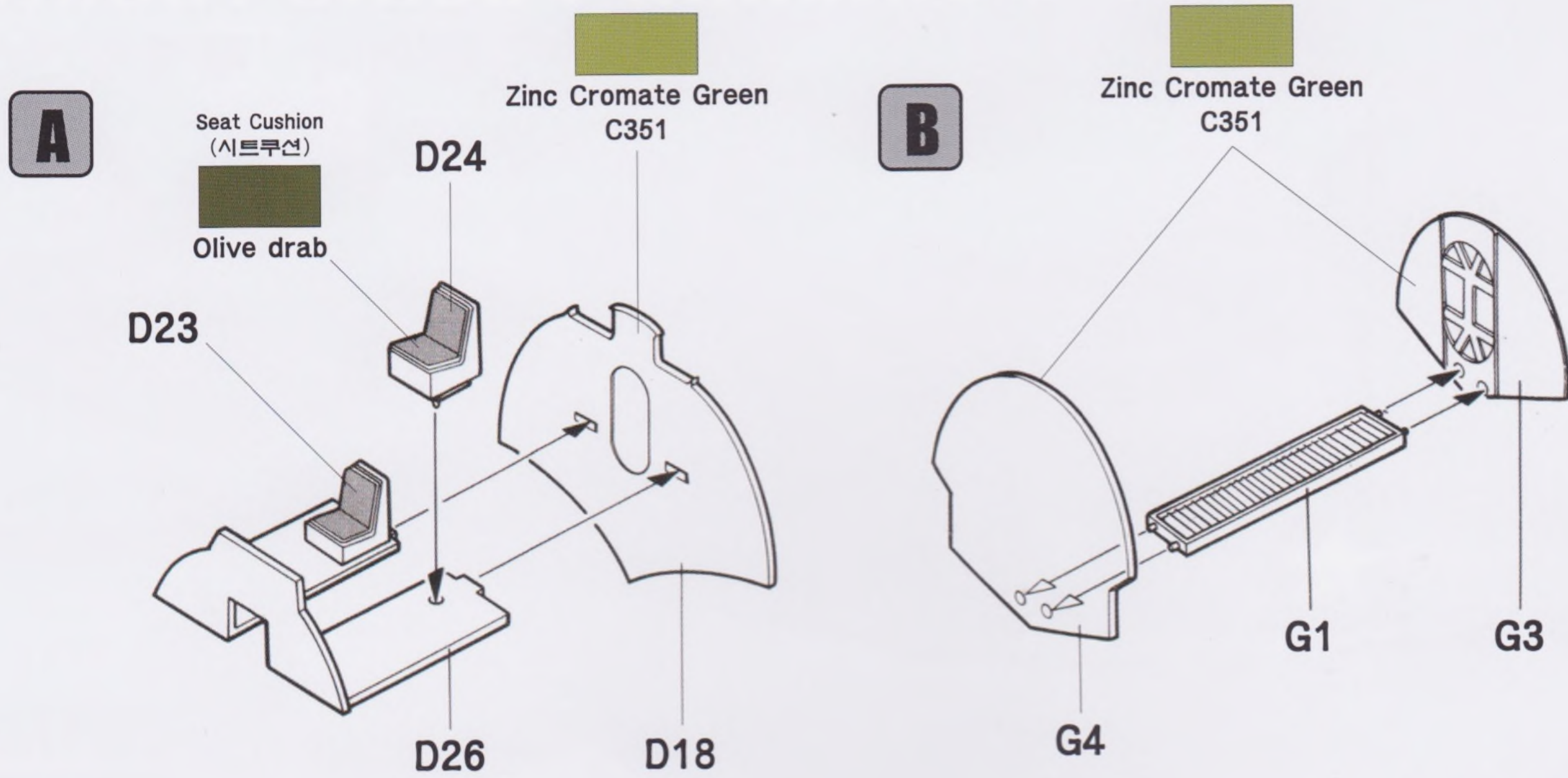
Wolfpack-Design Co. Ltd.

F2, 352, Gwangdoek 4-ro, Sangroku, Ansan-si, Gyeongido,
15489, Republic of Korea

울프팩디자인
경기도 안산시 상록구 광덕4로 352, 2층
우 : 15489

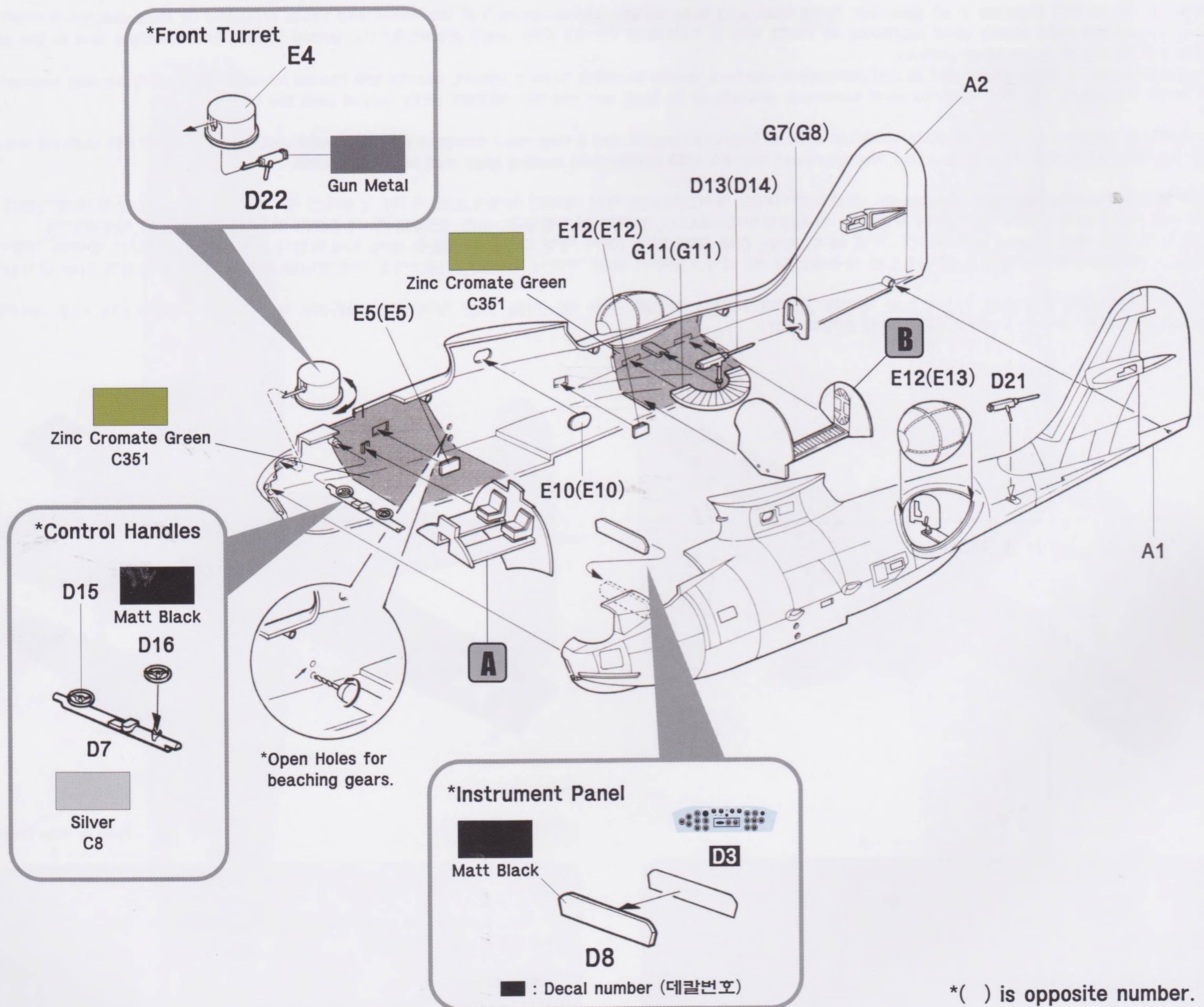
Printed in Korea

1 Cockpit (조종석)



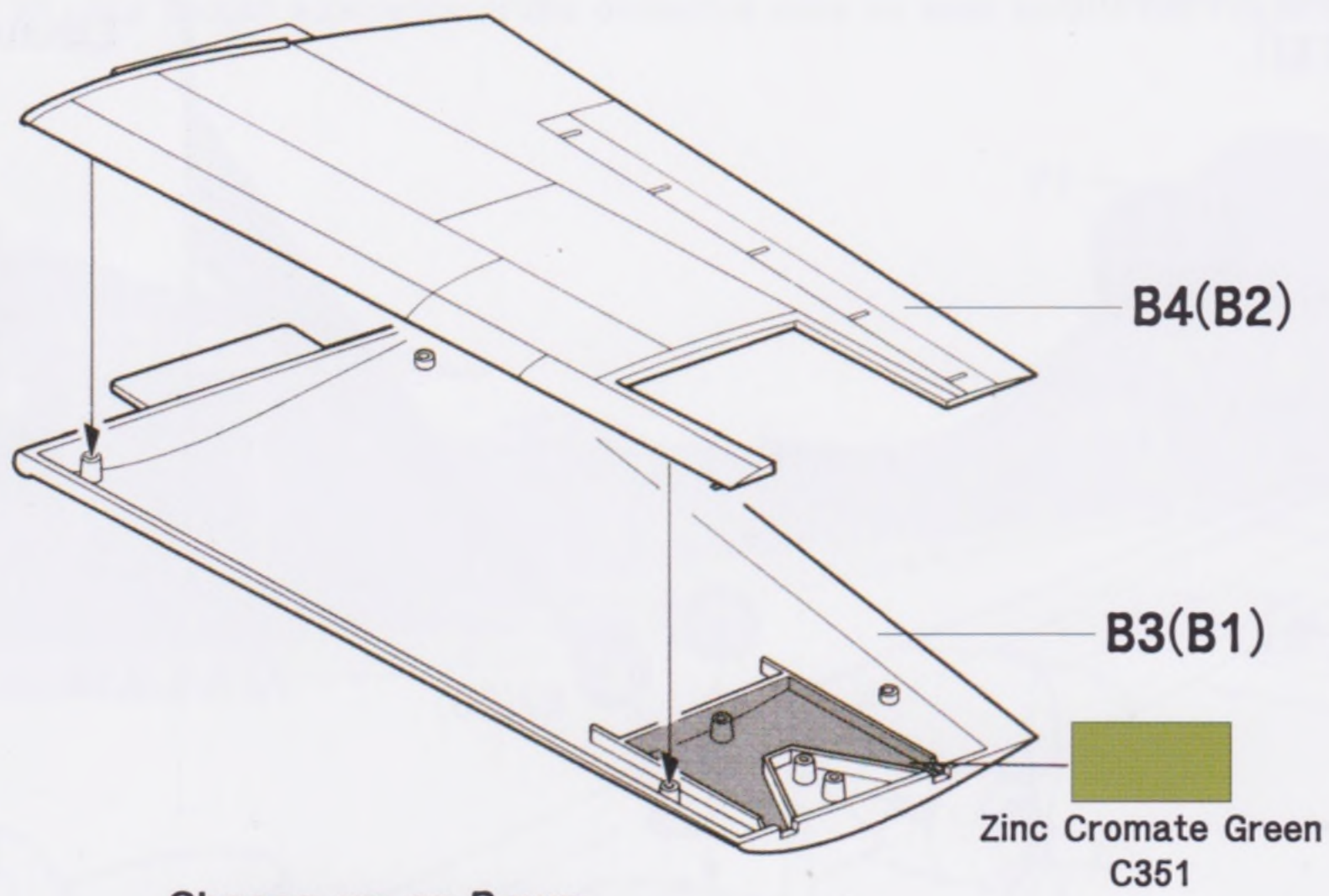
*Color number : GSI Creos Mr. Color.

2 Fuselage Assembly (동체조립)

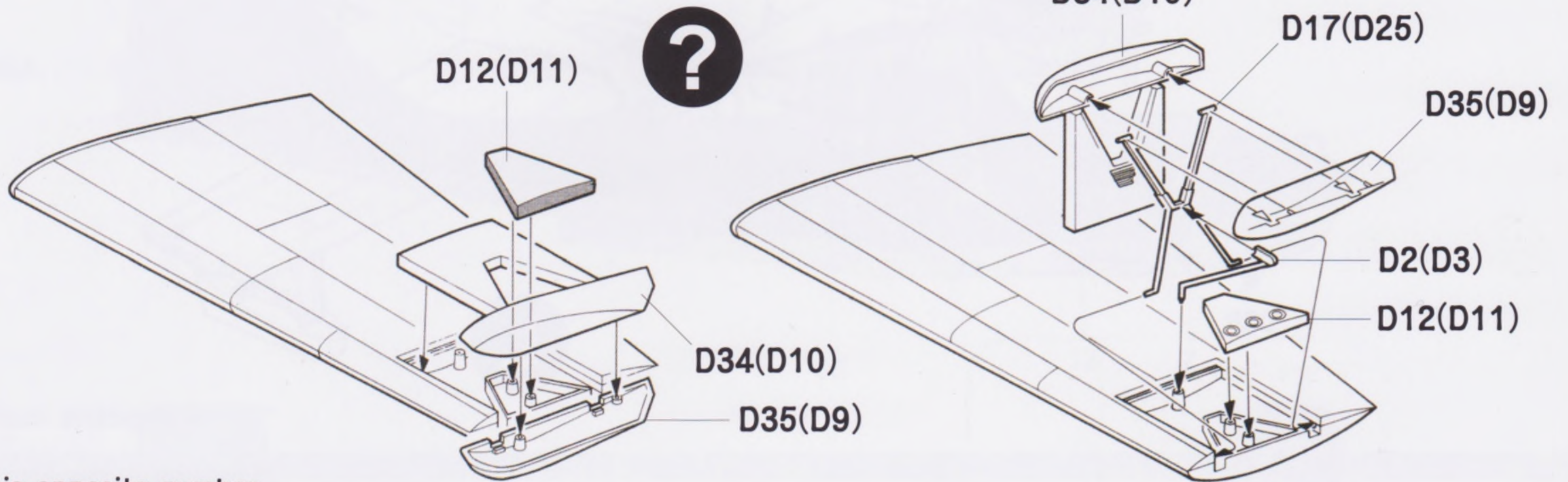


3 Main Wing & Floats Assembly
(주익과 플로트 조립)

L **R**

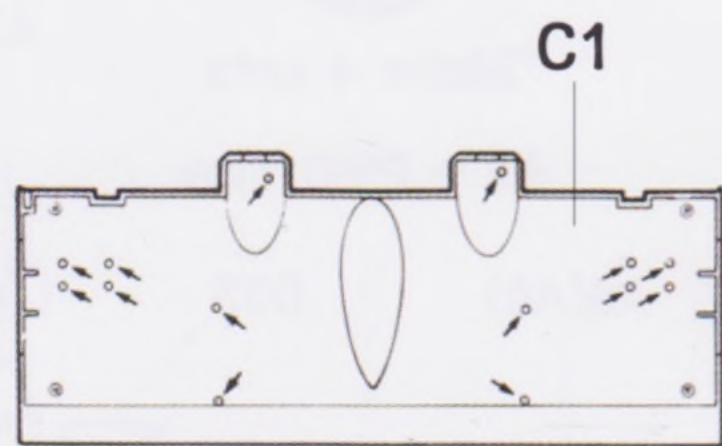


Choose up or Down position for floats.

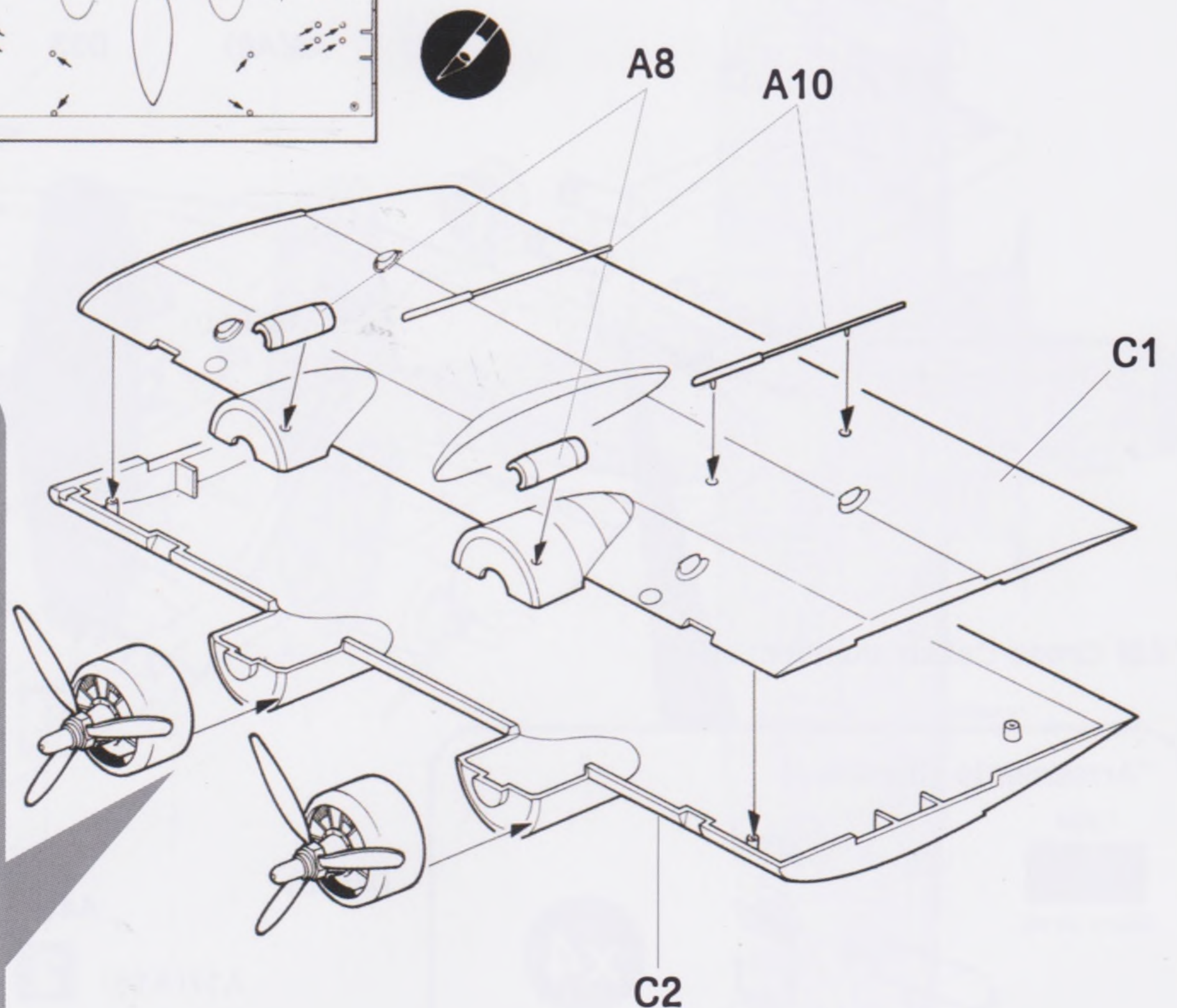


*() is opposite number.

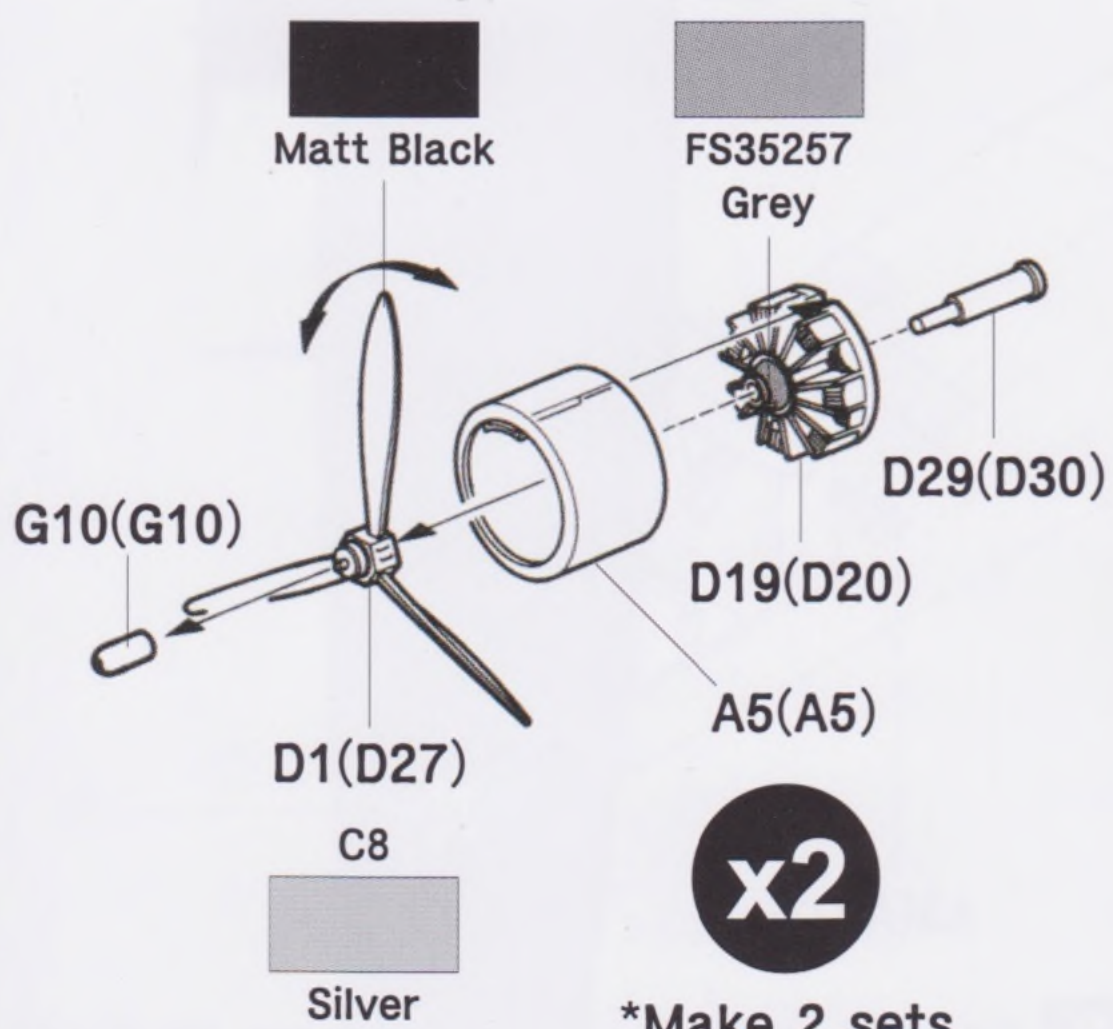
4 Main Wing & Engine Assembly
(주익과 엔진 조립)



*Open Holes in C1 before assembly

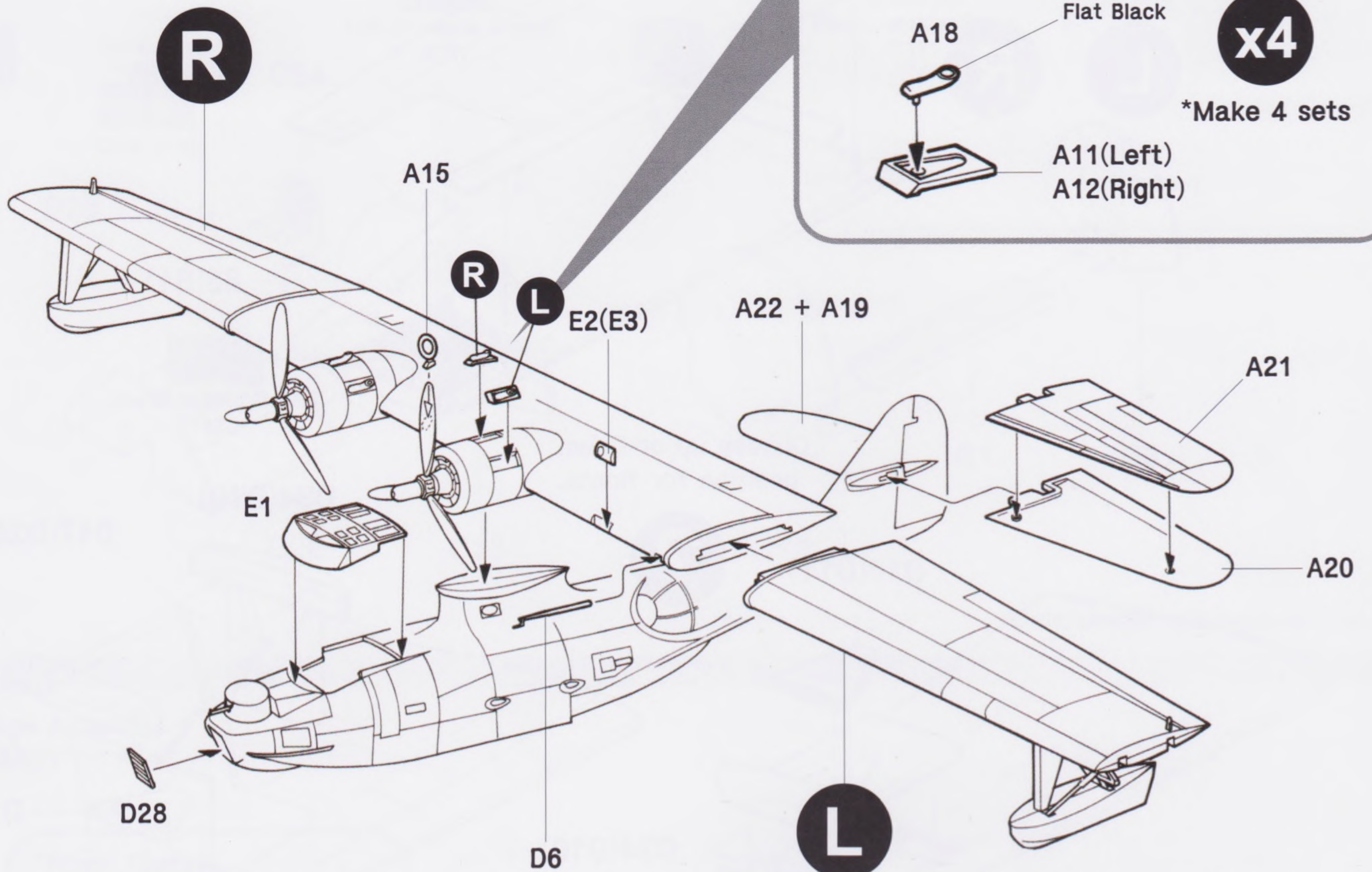


*Engine nacelle & Propeller



*() is opposite number.

5 Fuselage & Wing Assembly
(동체와 날개결합)



***Exhaust mufflers**

C33
Flat Black

A18

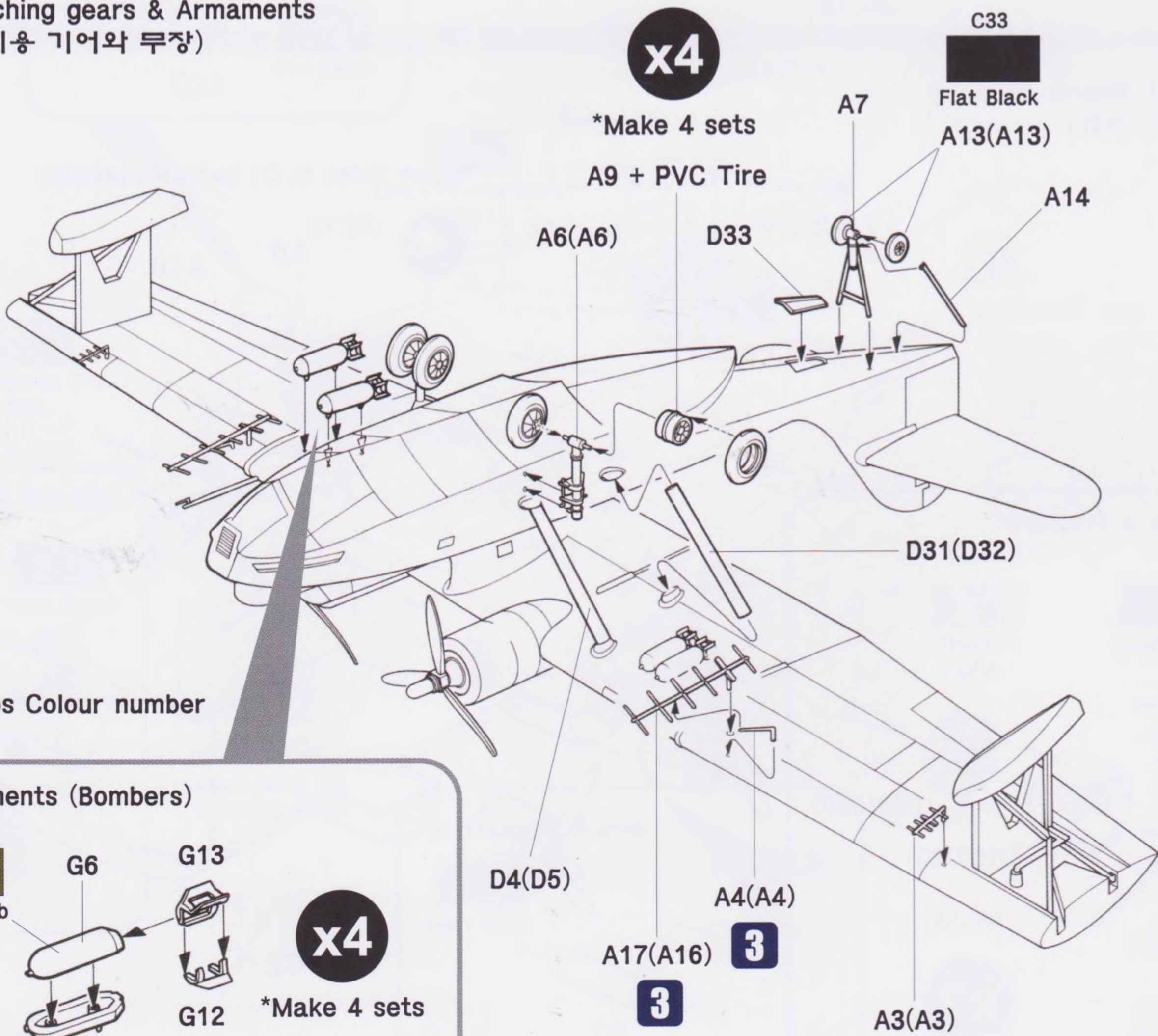
x4

***Make 4 sets**

A11(Left)
A12(Right)

*() is opposite number.

6 Beaching gears & Armaments
(주기용 기어와 무장)



x4

***Make 4 sets**

A9 + PVC Tire

C33
Flat Black
A13(A13)

*GSI Creos Colour number

***Armaments (Bombers)**

C304
Olive drab

G6

G13

G5

G12

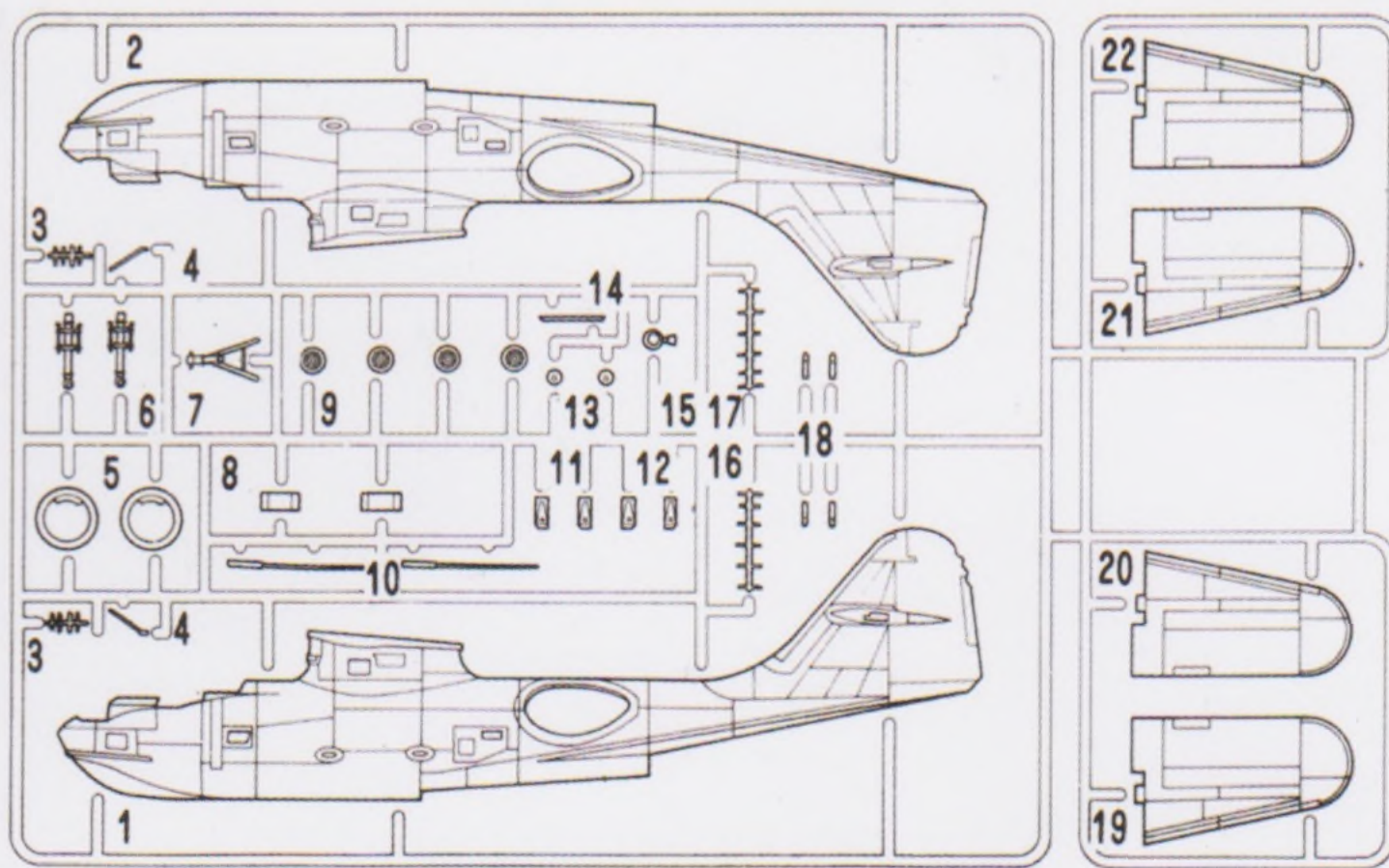
x4

***Make 4 sets**

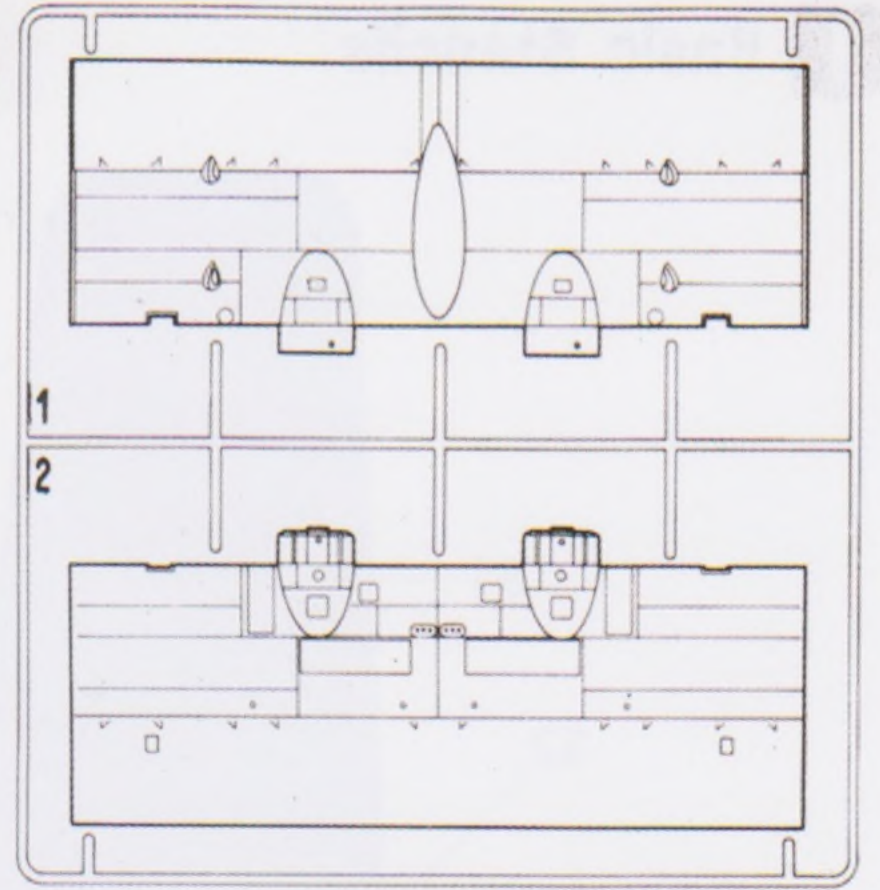
3 *Yagi Antenna parts : Marking No.3 only

! Parts

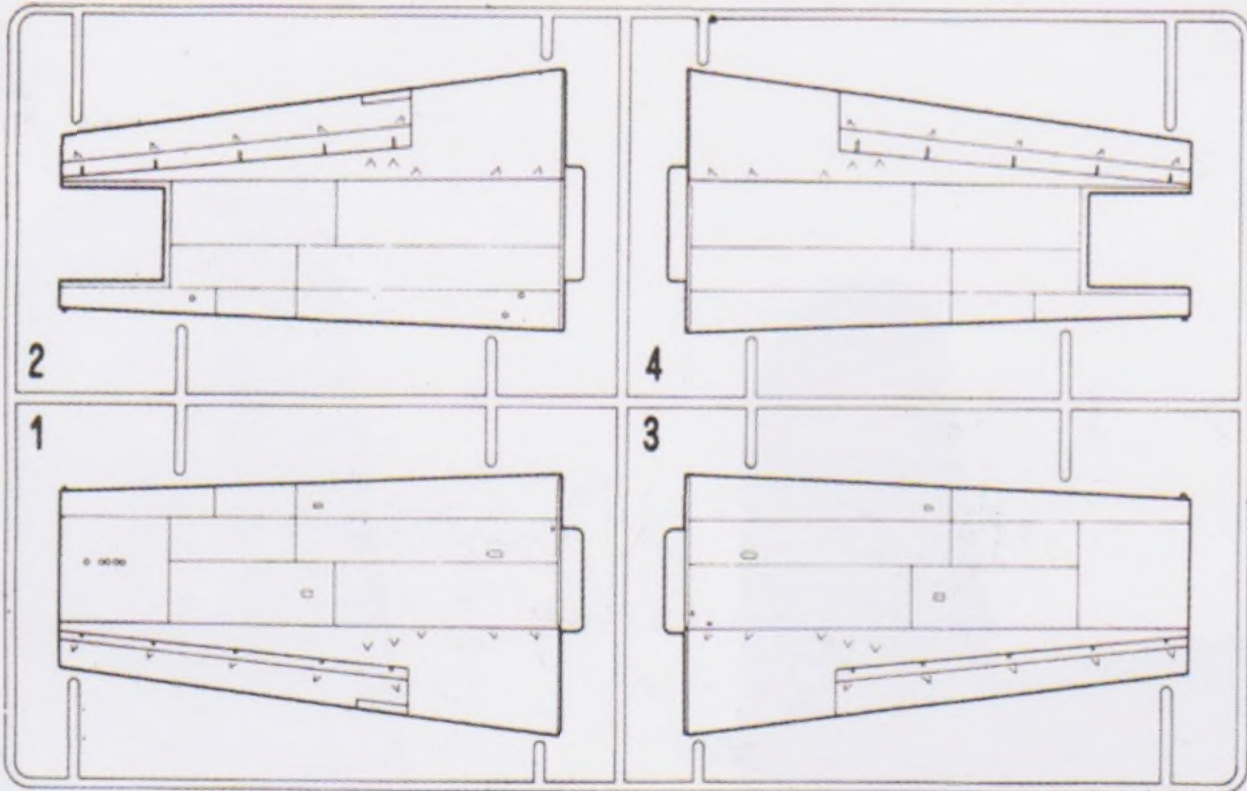
A



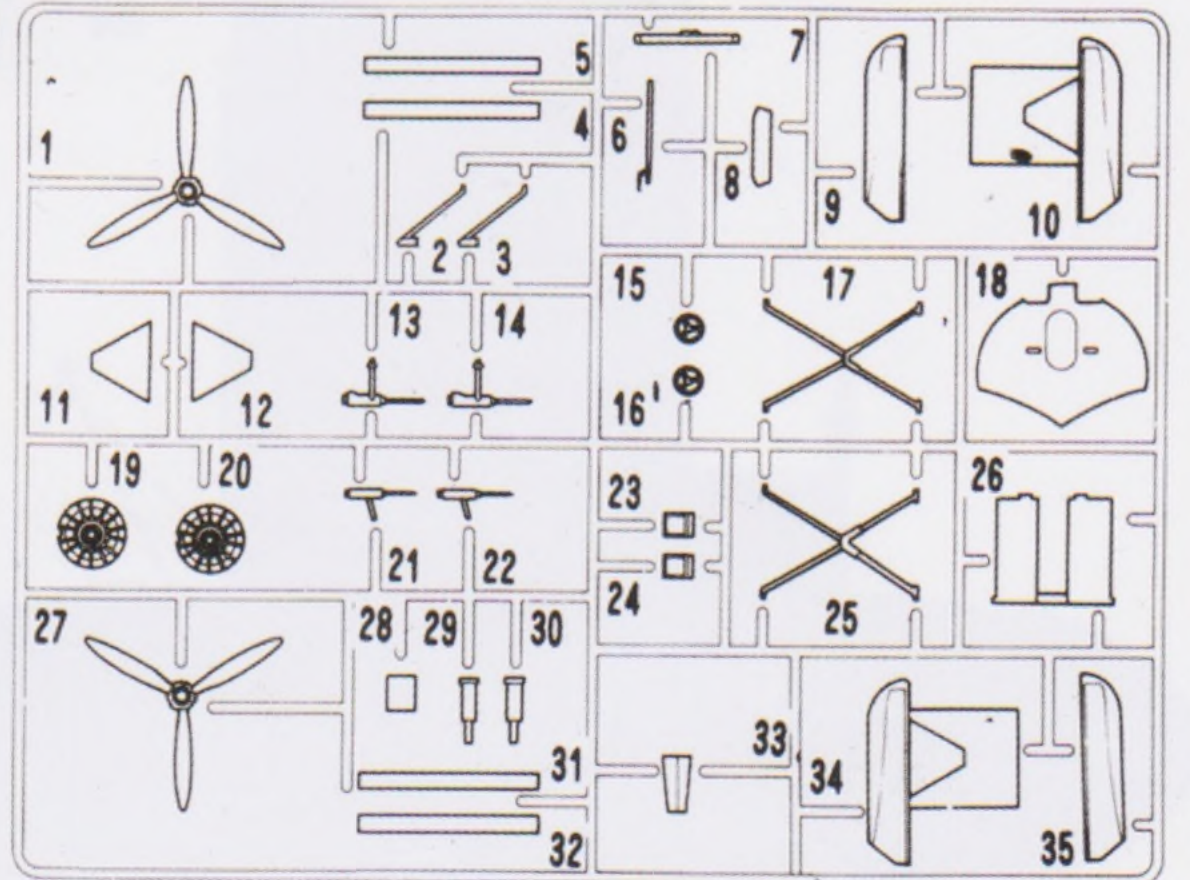
C



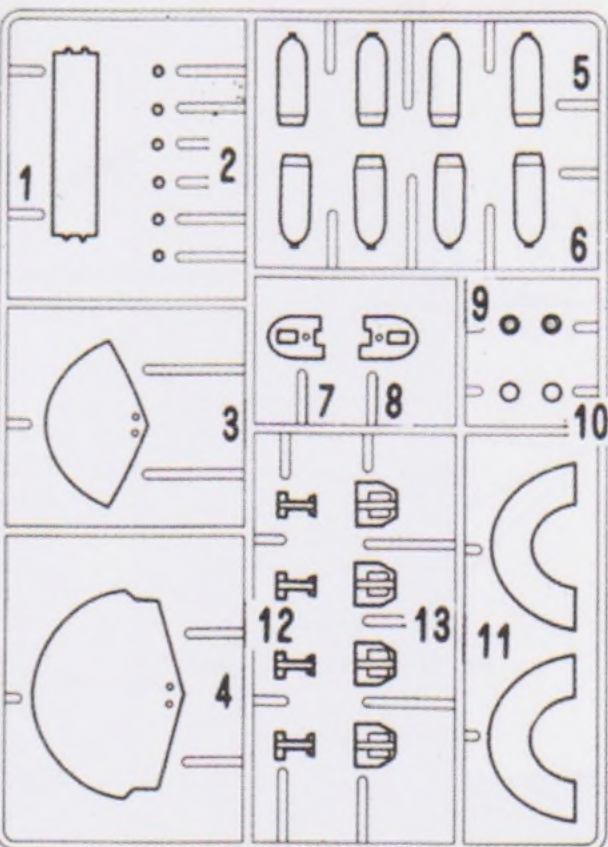
B



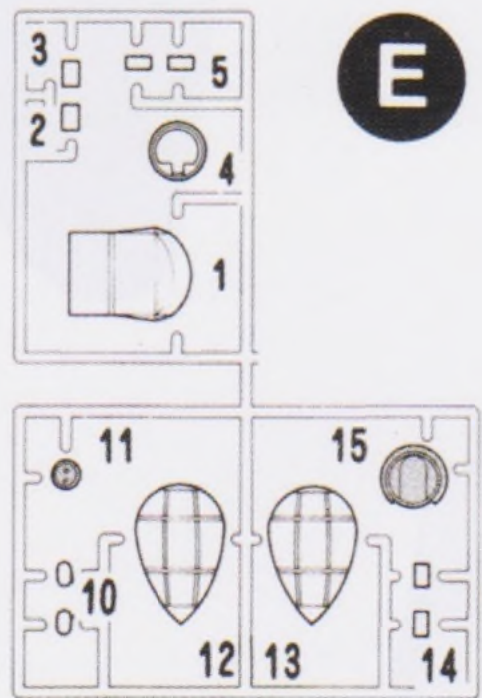
D



G



E



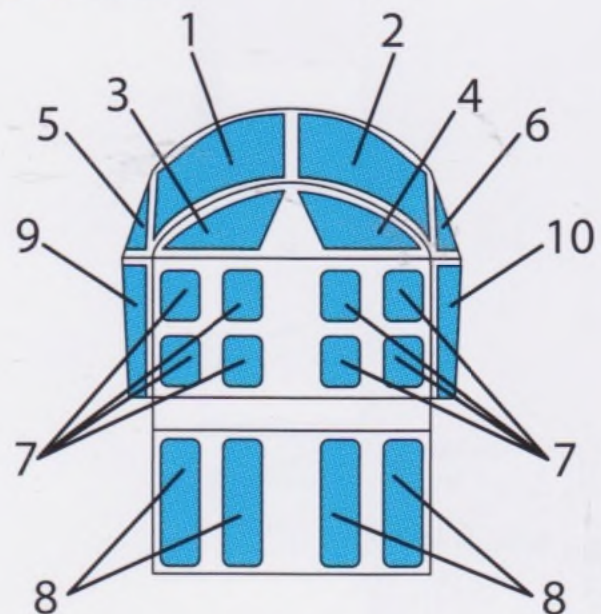
PVC Tire x4
Decal x1
Masking seal x1

Parts not for use.
(불필요부품)

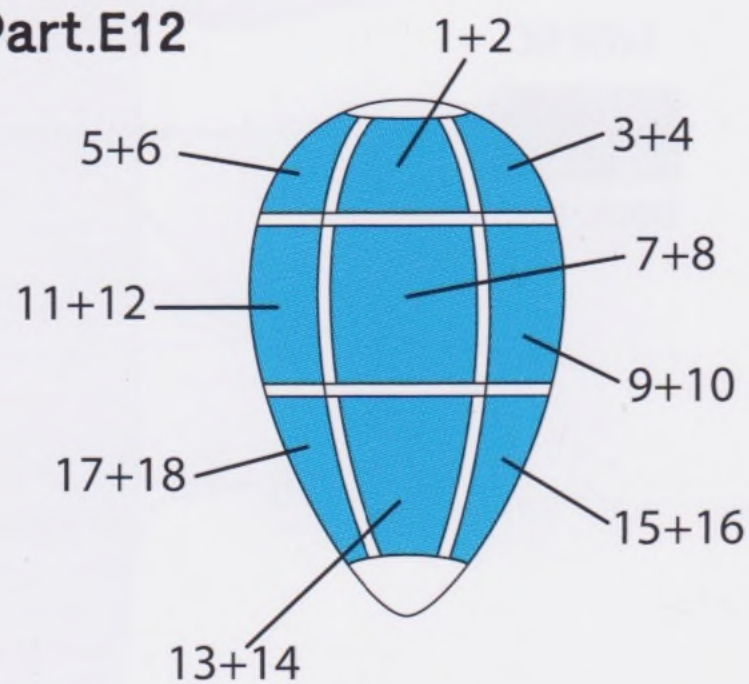
E15

! Masking Seals Manual

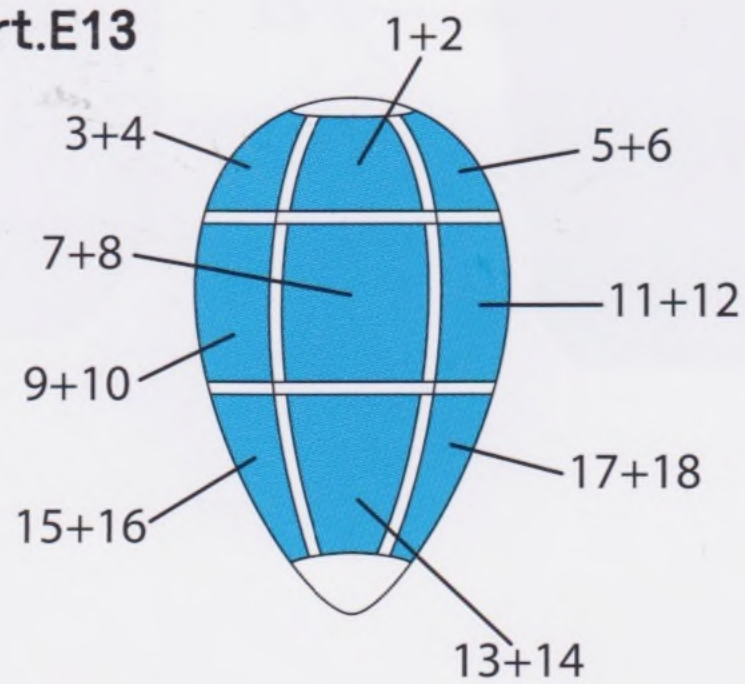
Part.E1



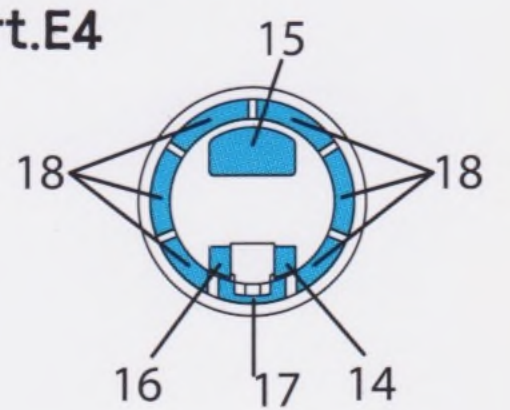
Part.E12



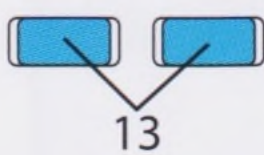
Part.E13



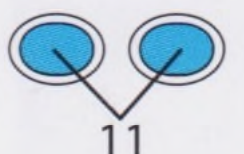
Part.E4



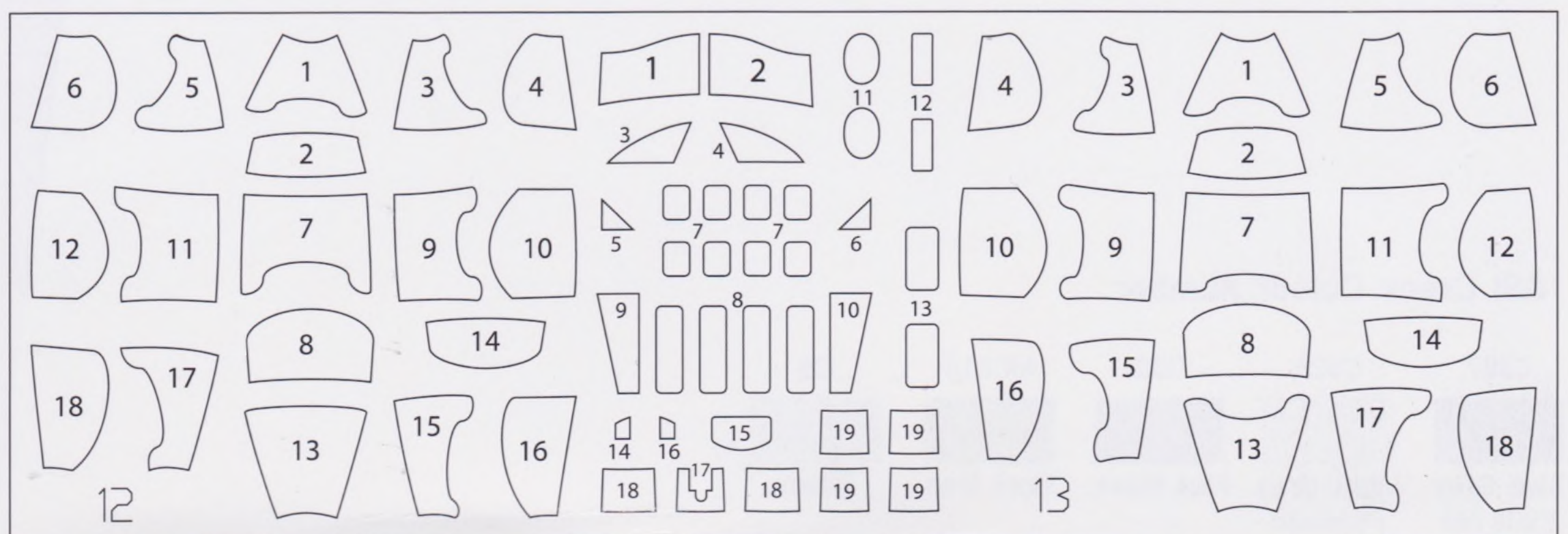
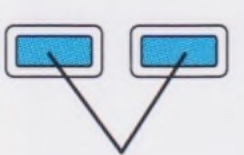
Part.E5x2



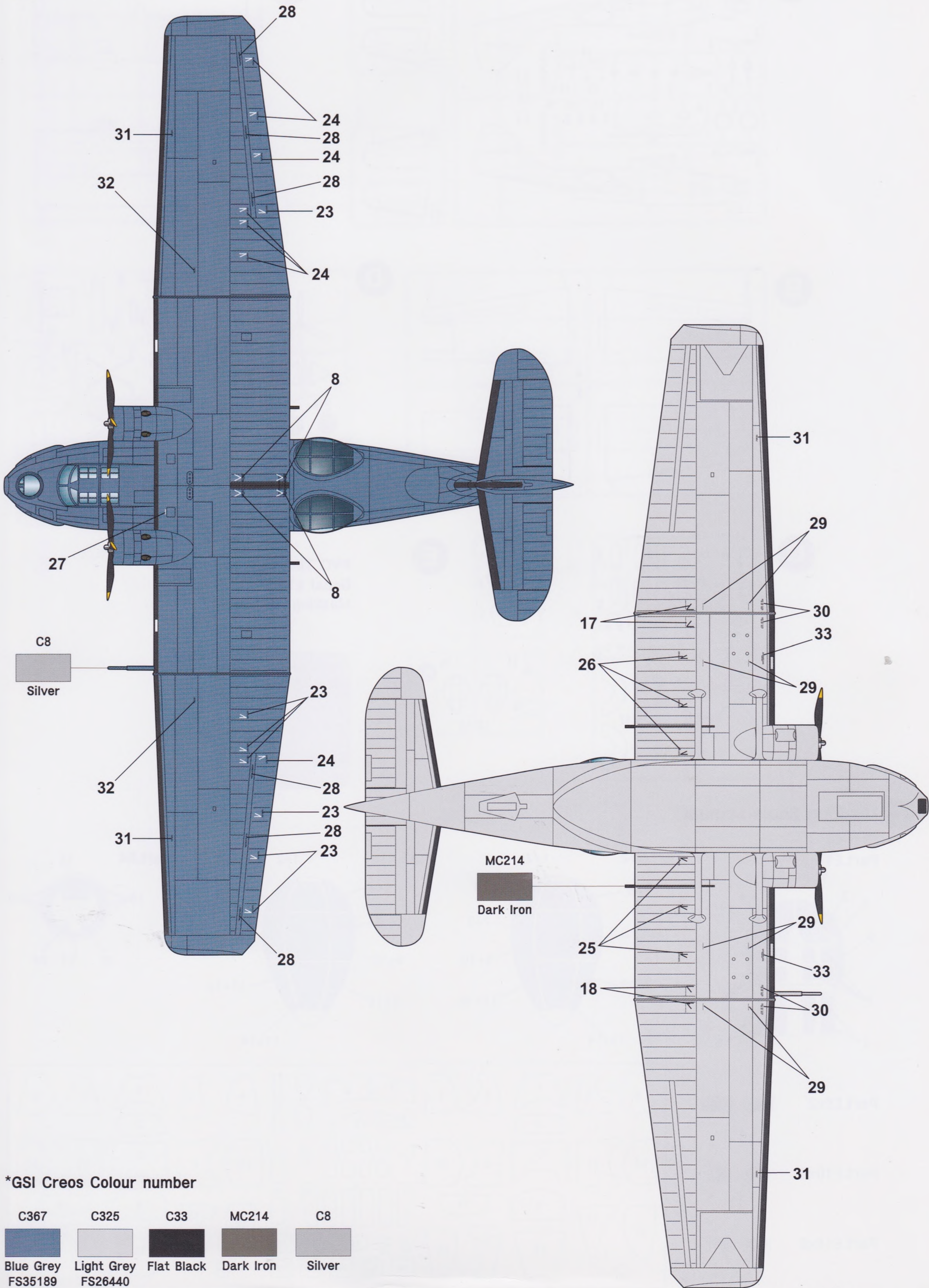
Part.E10x2



Part.E14x2



! Basic Stencils

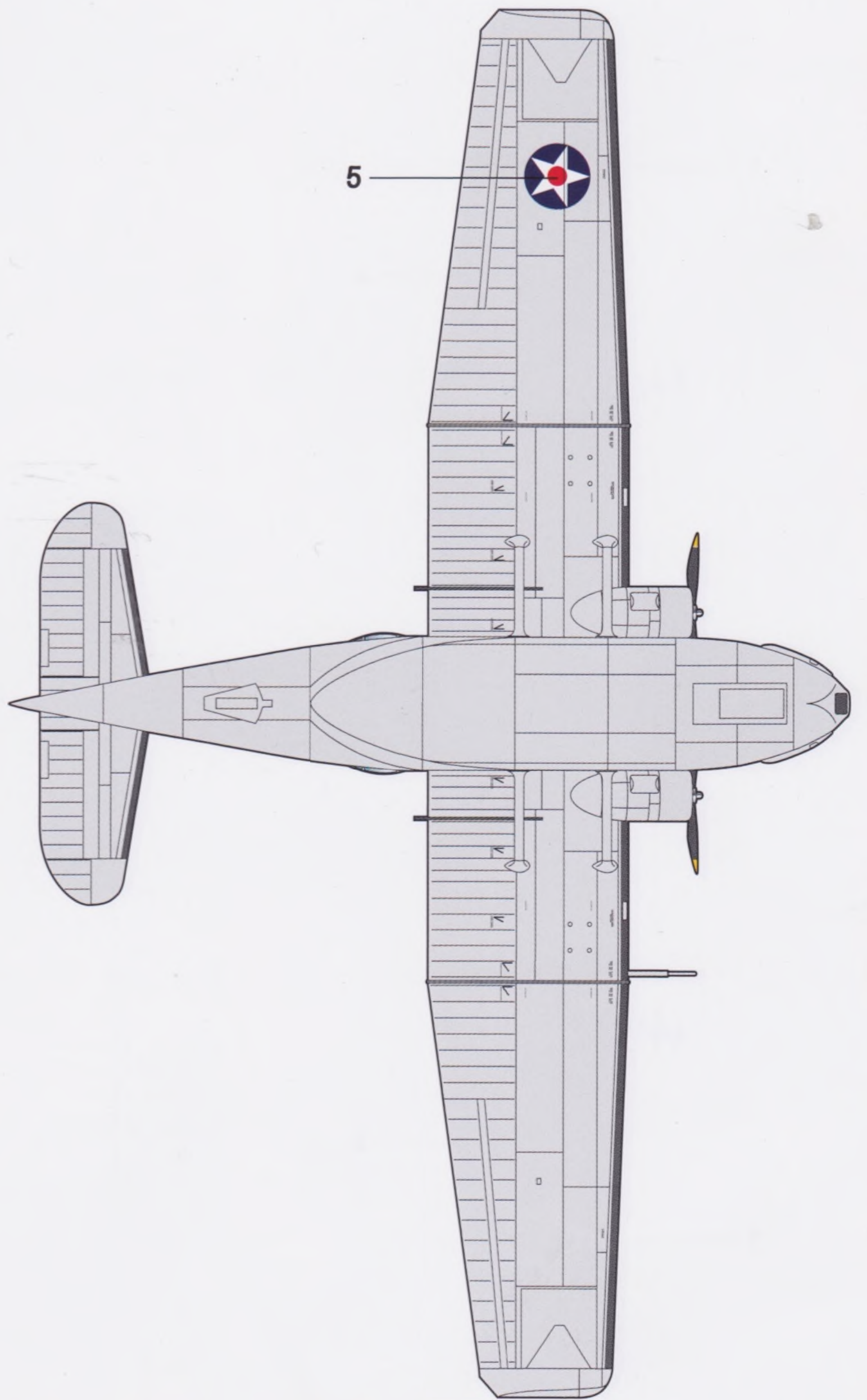
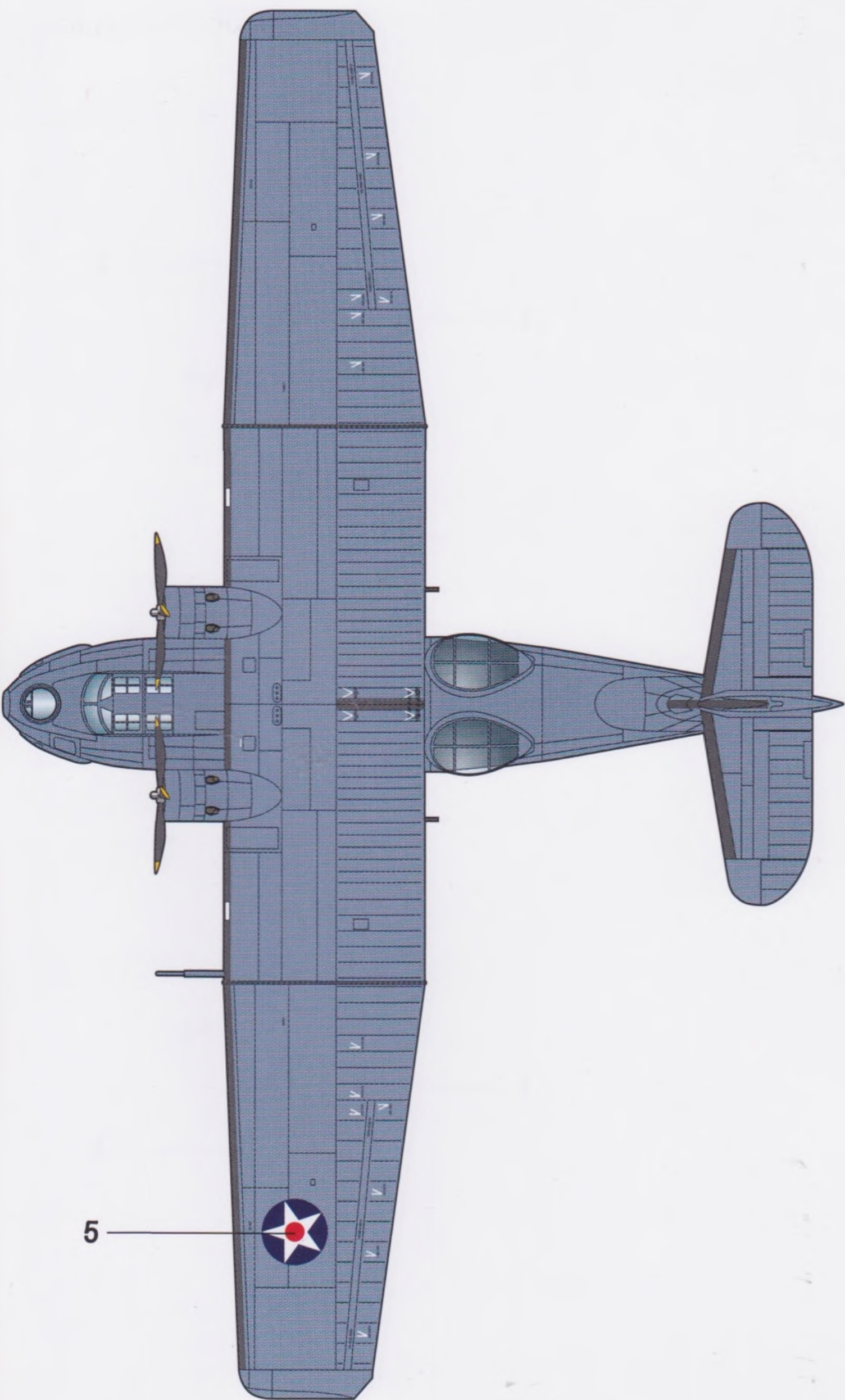
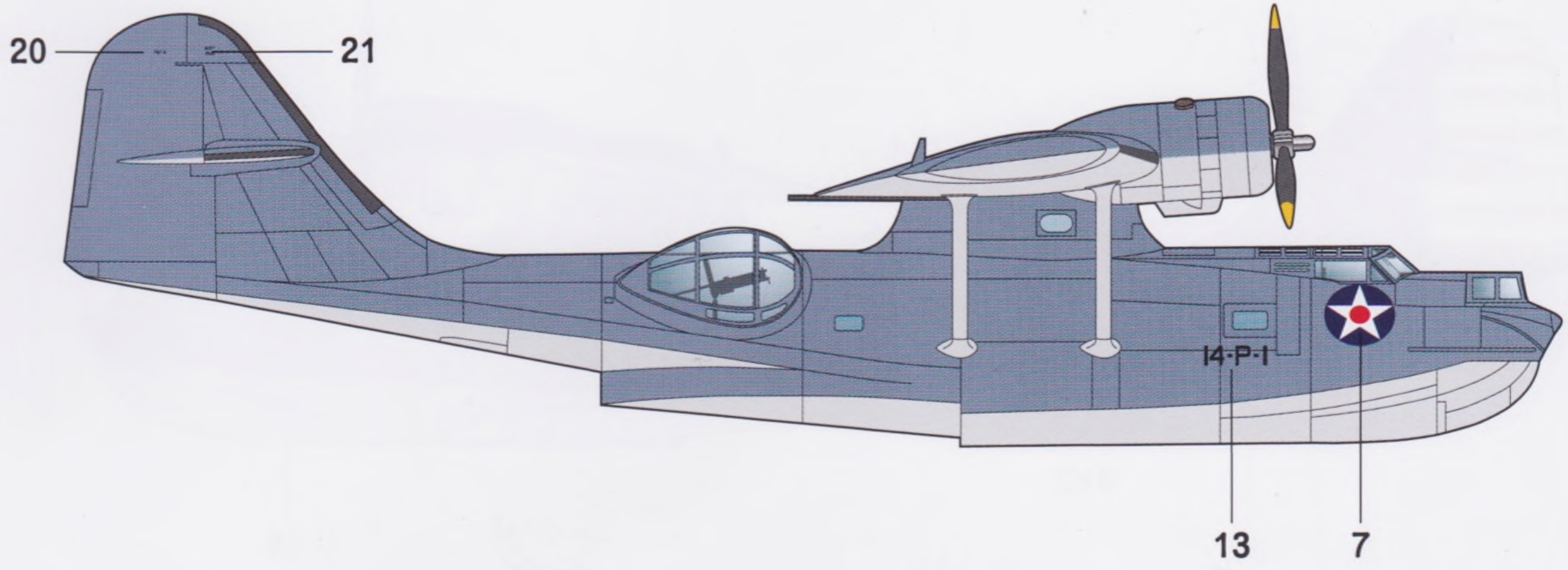
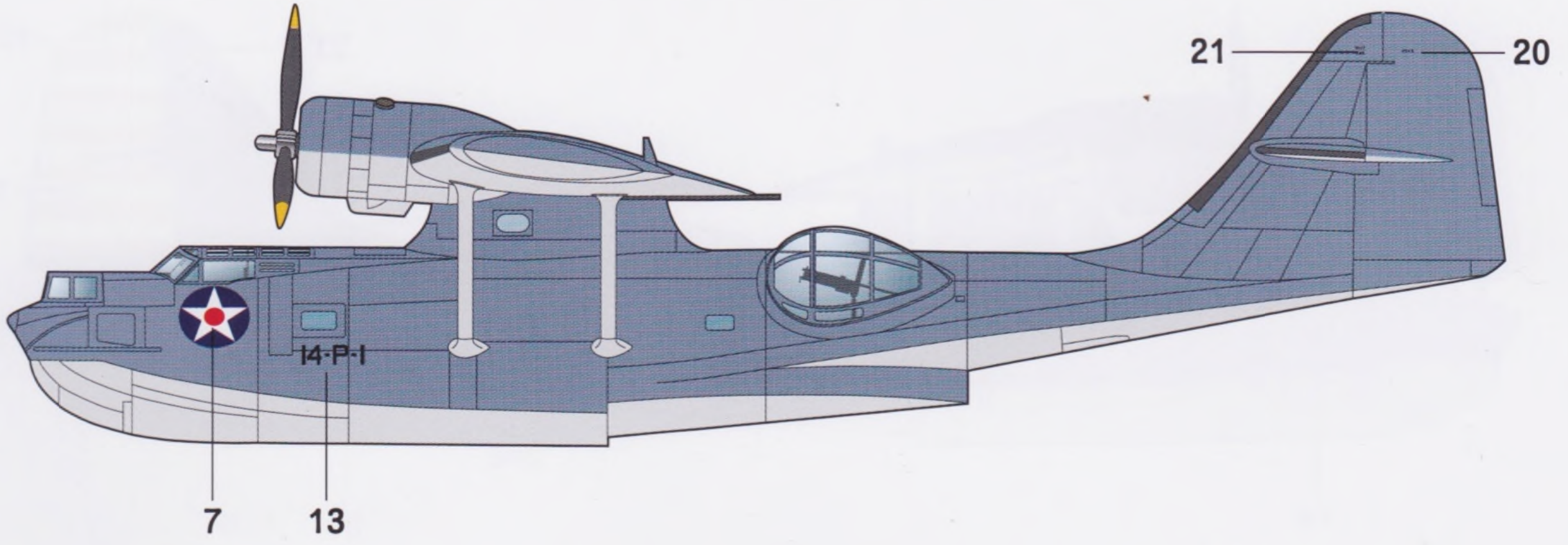


*GSI Creos Colour number

C367	C325	C33	MC214	C8
Blue Grey FS35189	Light Grey FS26440	Flat Black	Dark Iron	Silver

1 PBY-5 Catalina BuNo 2419, VP-14, NAS Kaneohe, Dec. 7, 1941

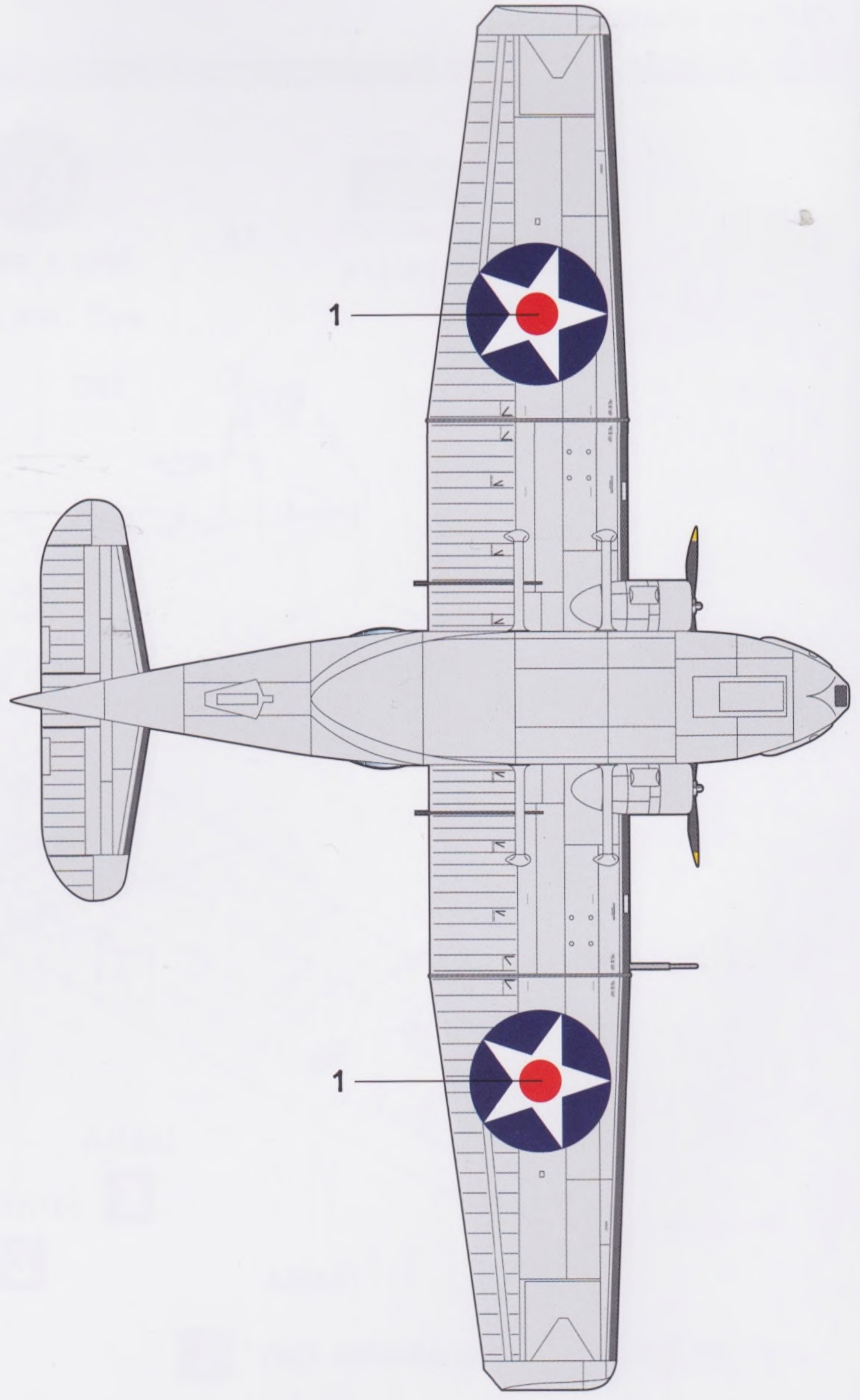
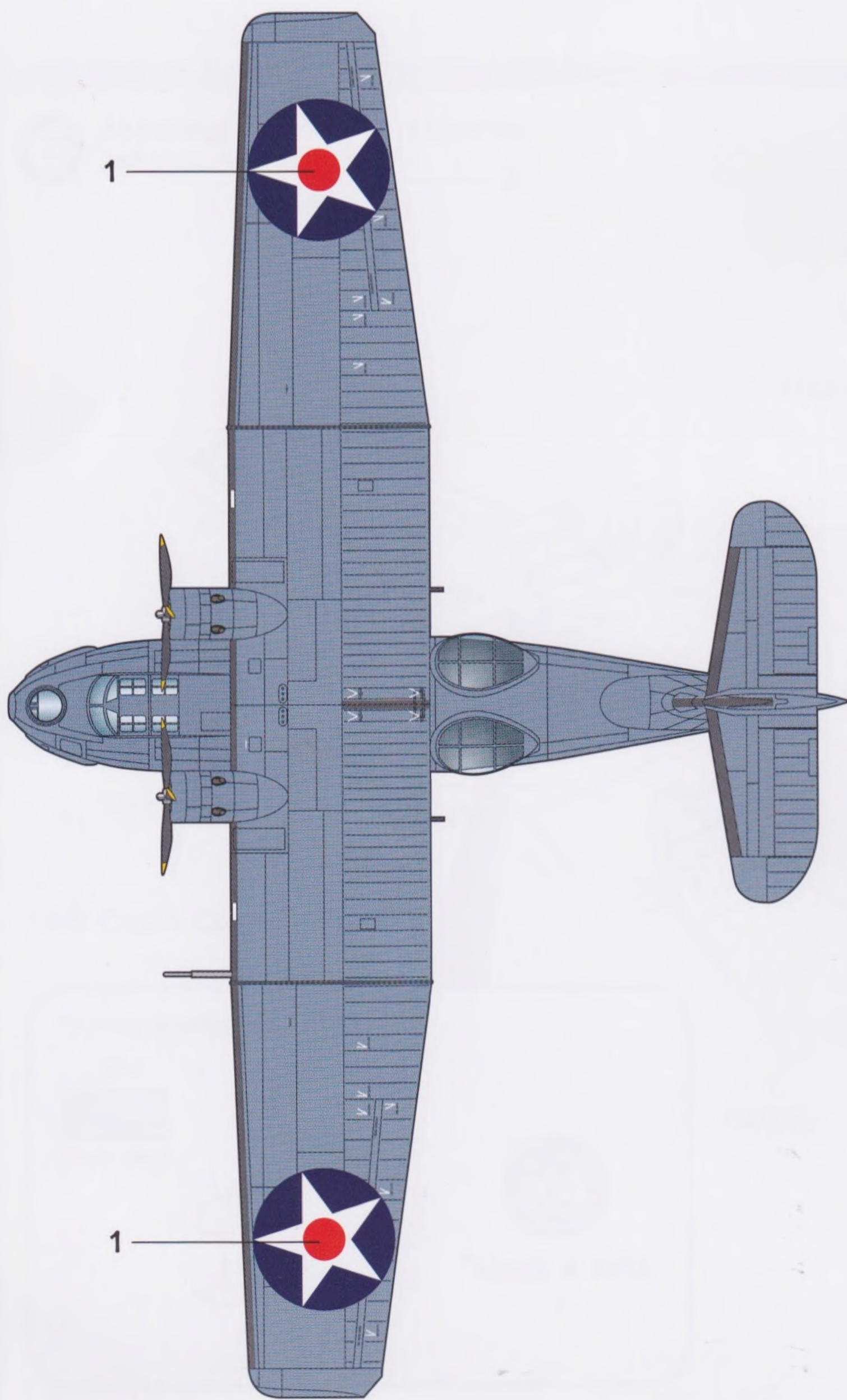
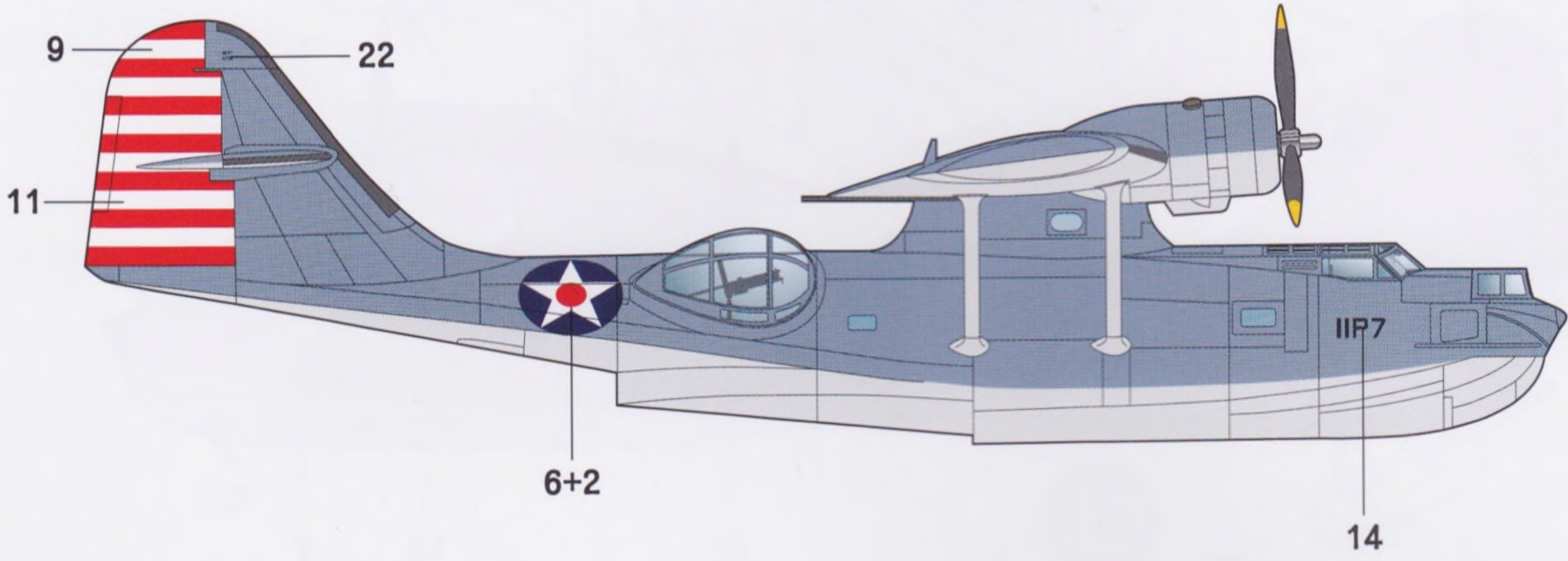
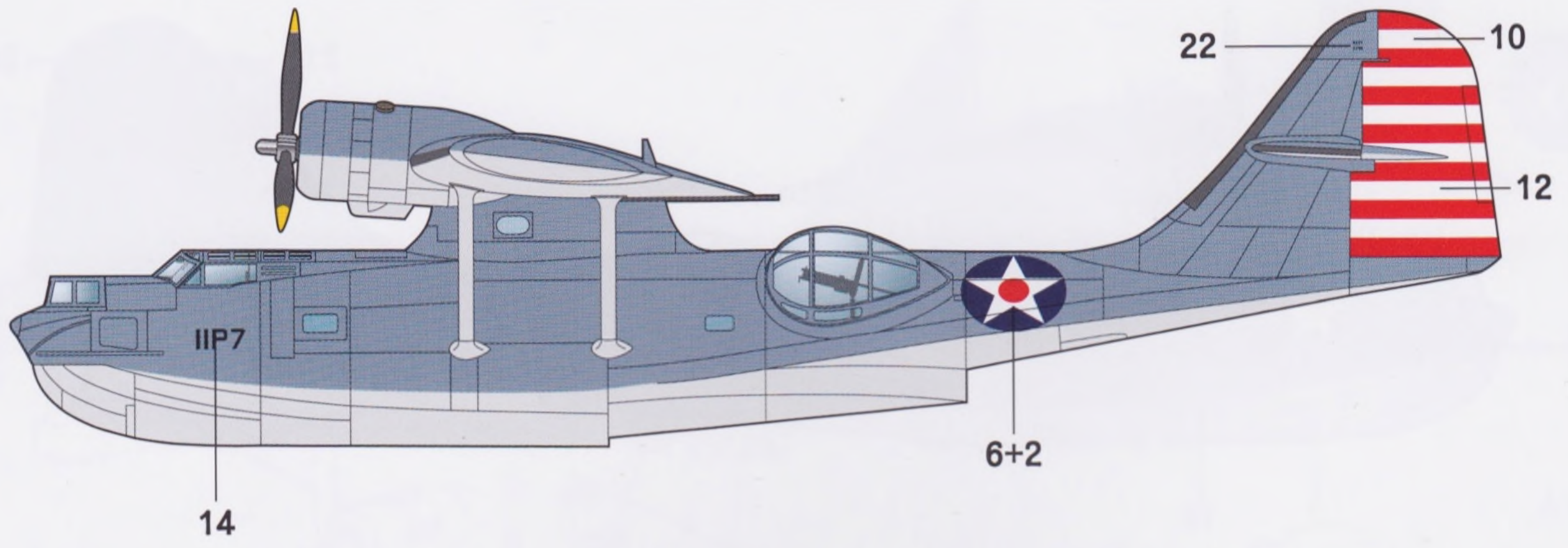
This PBY-5 dropped live depth charges on an IJN's midget submarine in the defensive area an hour before the Pearl Harbor attack.



2

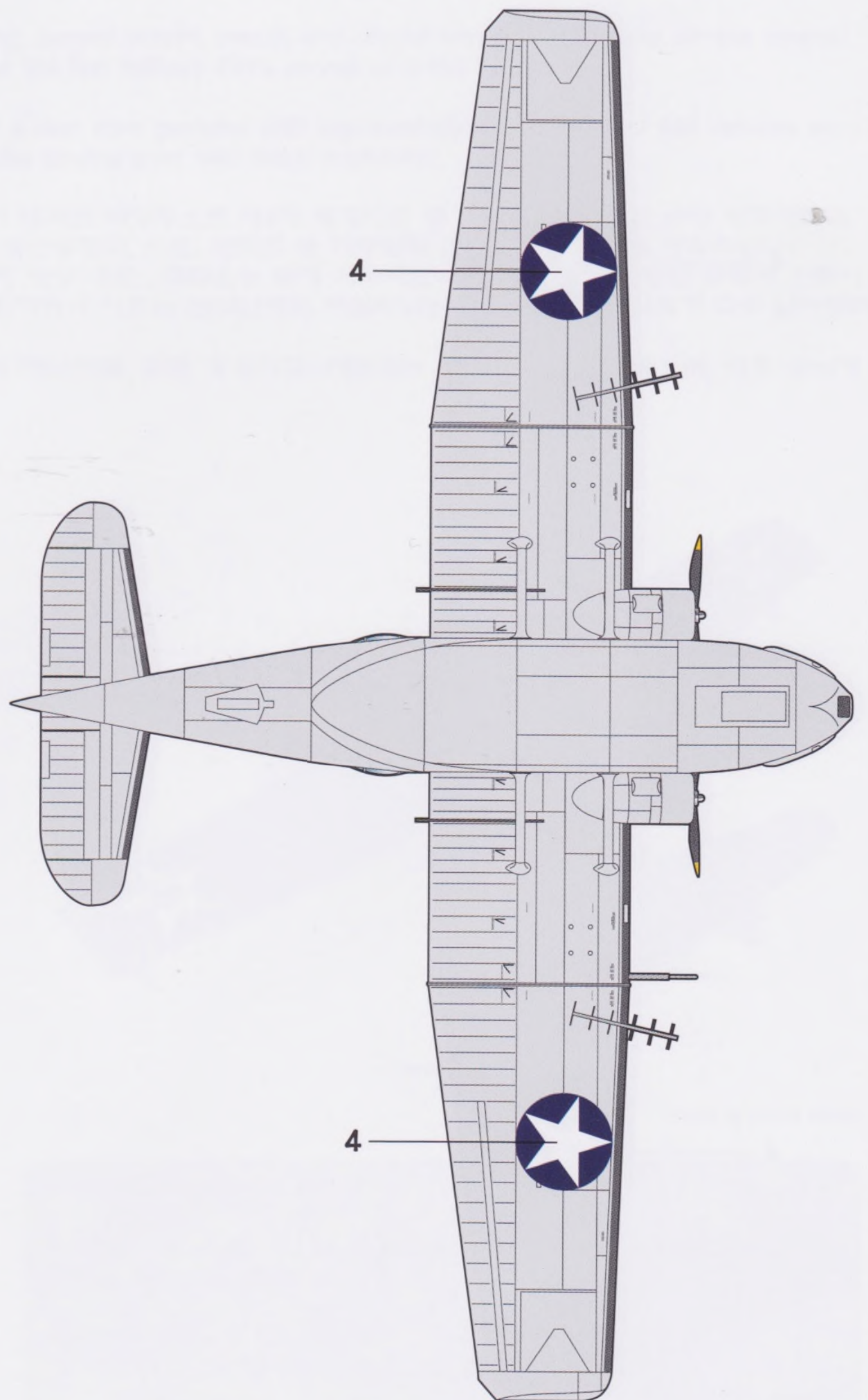
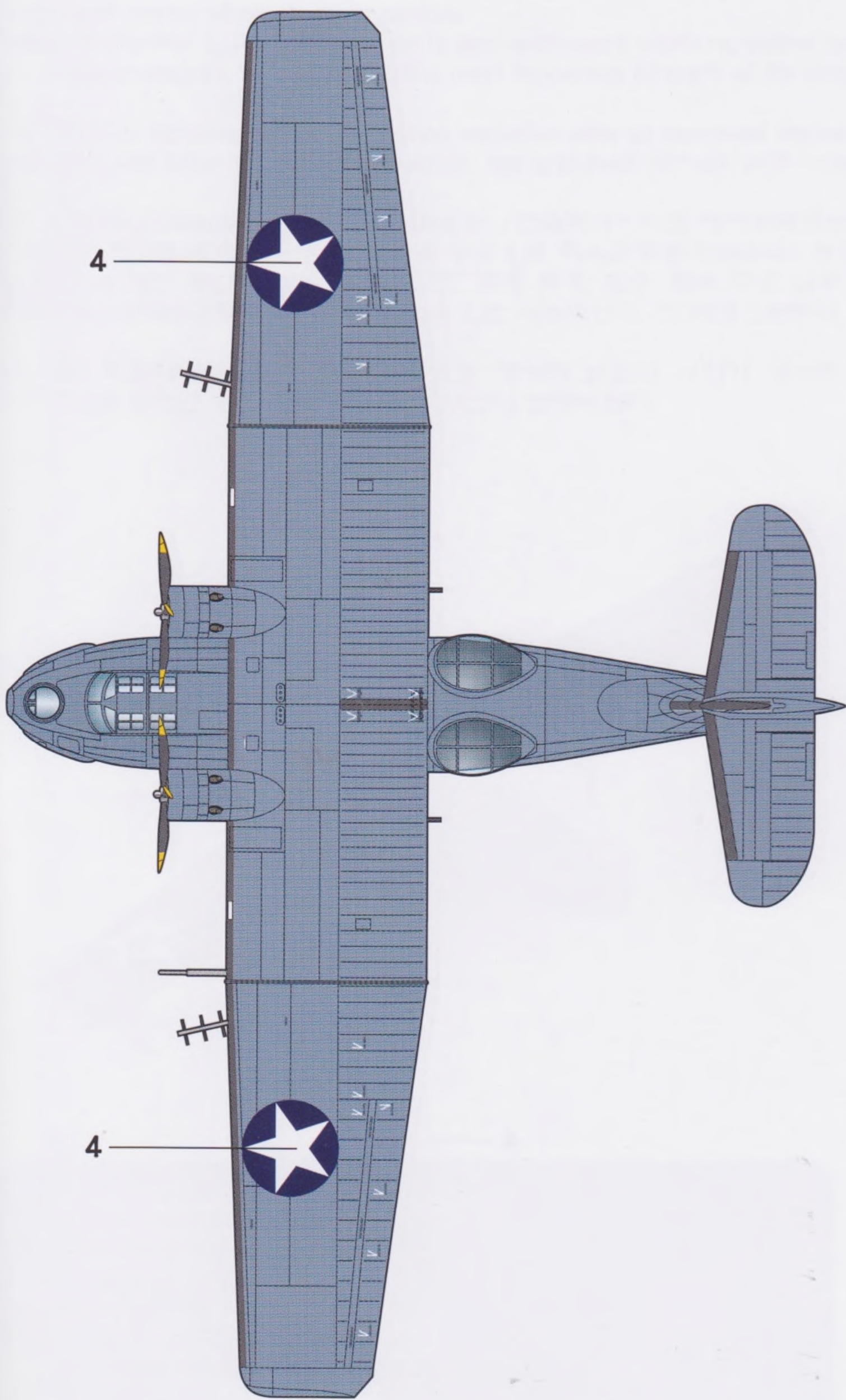
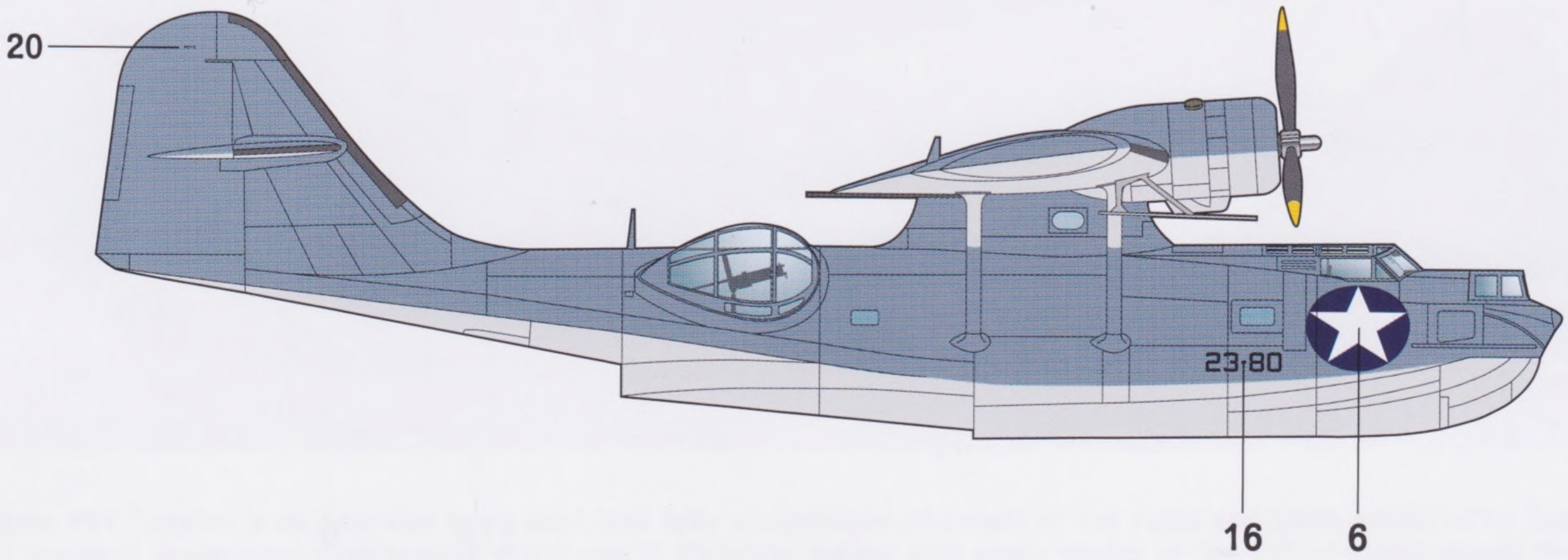
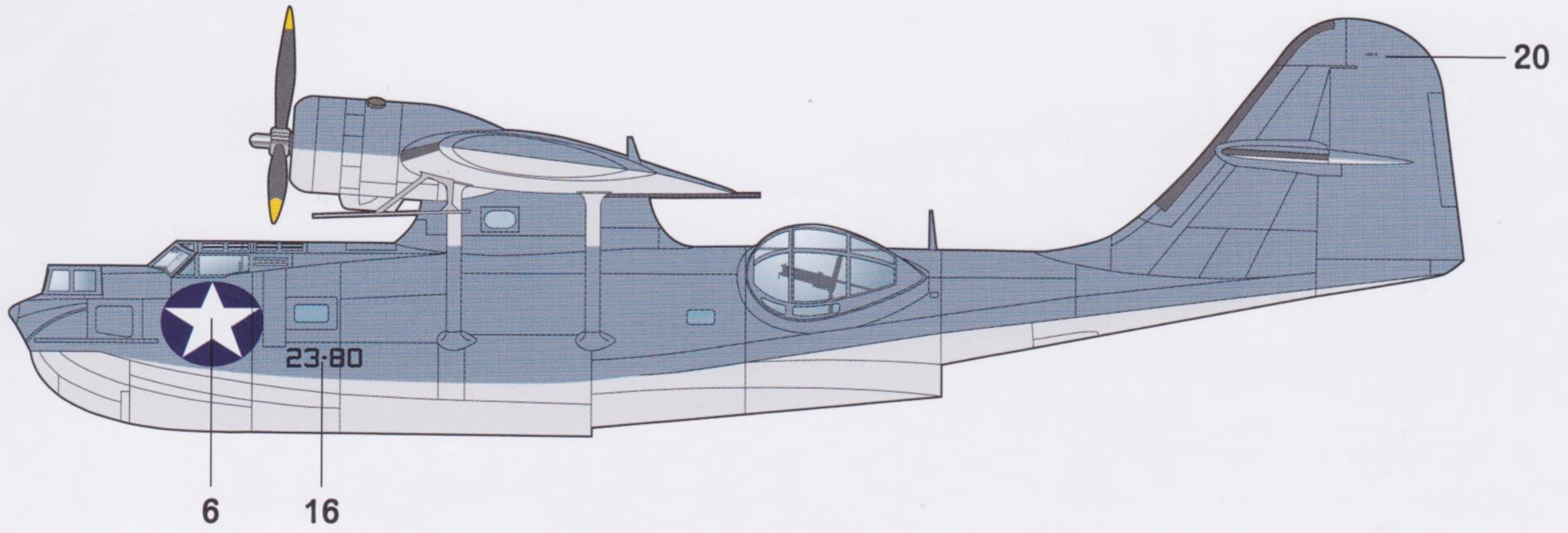
PBY-5 Catalina BuNo 2298, VP-11, on loan to VP-14, Noumea, New Caledonia, Feb. 1942

This PBY-5 is one of the few survived PBYs at Peal Harbor Attacks and operated for the flying patrol missions with USS Tangier.



3

PBY-5 Catalina BuNo unknown, VP-23, Midway Islands, May. 1942
The PBY-5 is equipped with Yagi antennas for search missions.



4

PBY-5 Catalina BuNo unknown, VP-43, Dutch Harbor, Aleutian Islands, Nov. 1942
This 'Boat 25' has been lost in the harsh climate of the Aleutian Islands at Nov. 21 1942.

