

1/72 SCALE

F4U-1 "Corsair"



EASY ASSEMBLY AUTHENTIC KIT



cyanoacrylate glue
强力胶



weight
配重



make hole
钻孔



cut / remove
切除



option
选择



no cement
不涂胶水



decal
贴纸



bend
弯曲

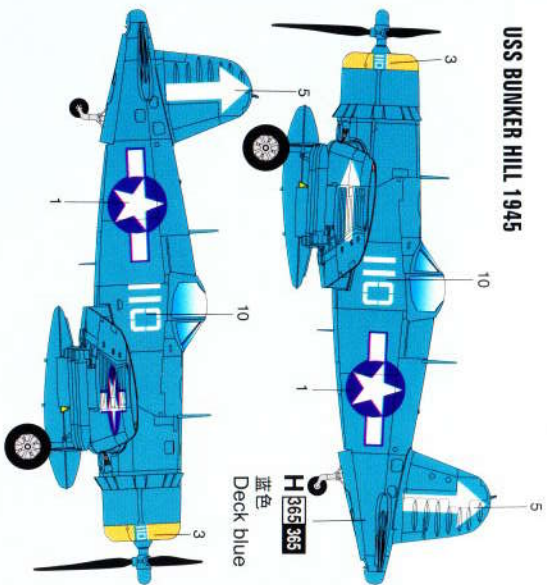
水贴纸的使用方法:

- 一.把相关的印花从水贴纸上剪下,放入40°C左右的温水中浸10秒。
- 二.然后将印花放在干净的布上。
- 三.拿上印花纸,手指蘸水将印花移到适当的位置。
- 四.用软干布轻压印花直至水干,气泡消失。

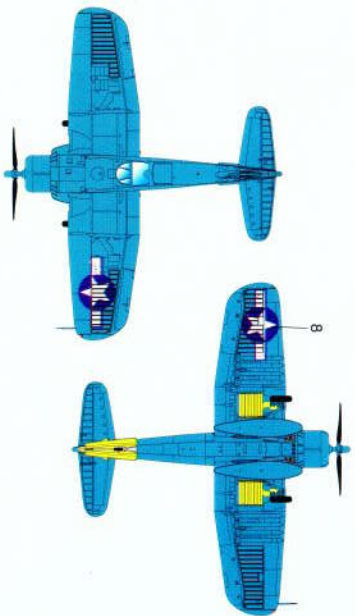
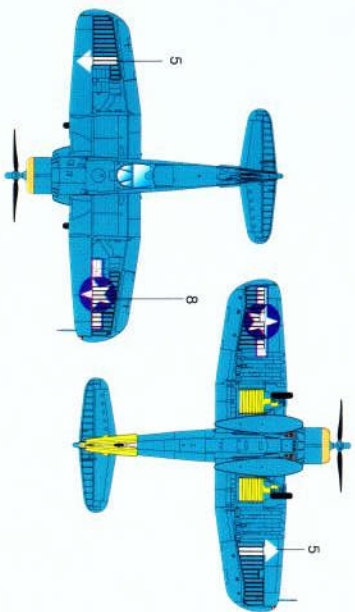
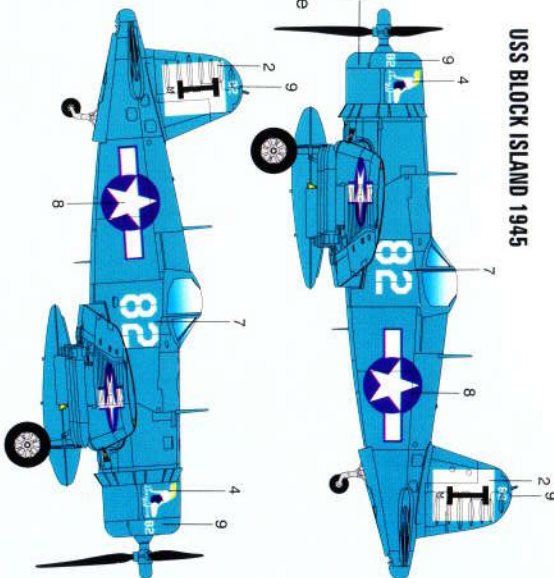
The way to apply the decals

1. Cut off the decal from the decal paper and put it into the warm water 40°C for 10 seconds.
2. Take the decal from the water and put it on a piece of clean cloth.
3. Remove the decal slowly from the paper to the targeted location by a wet finger.
4. Use a piece of dry and soft cloth to press it gently on the decal until it getting dry and no bubble existing.

USS BUNKER HILL 1945



USS BLOCK ISLAND 1945



涂装同标识指示
Painting & Marking guide

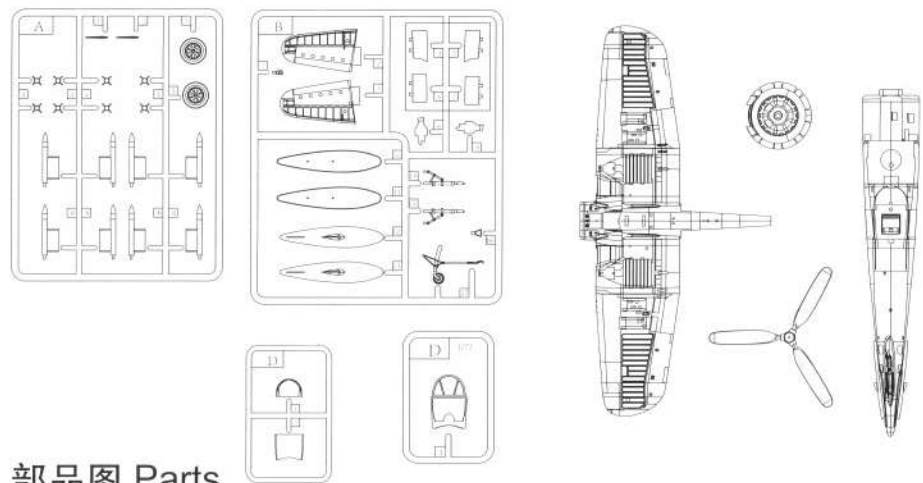
H X

GINZE SANGYO AQUEOUS HOBBY COLOUR

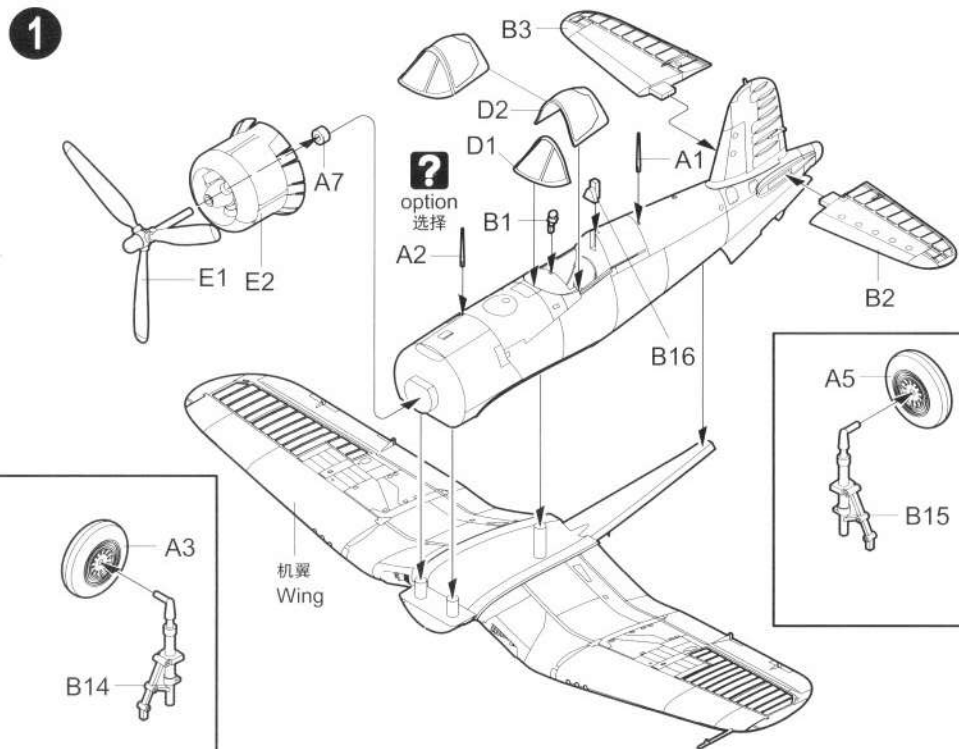
X

GINZE SANGYO MR.COLOUR

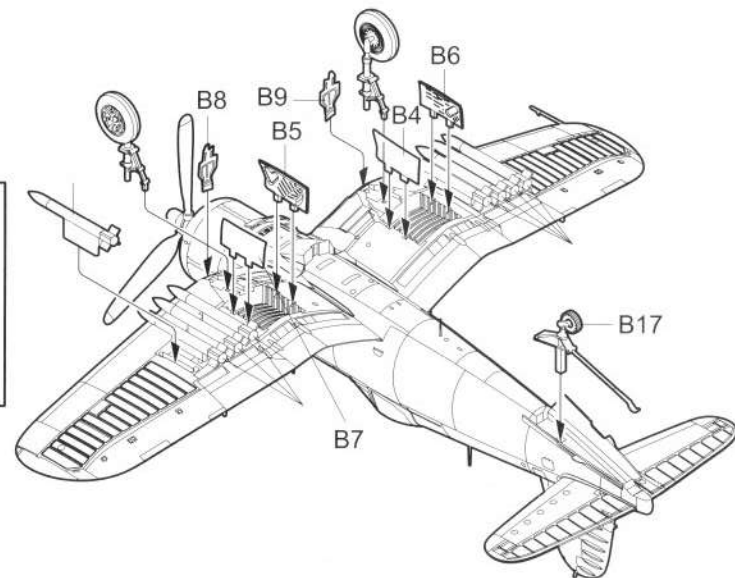
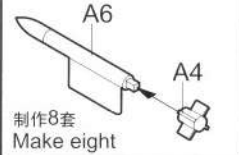
*Some paints may not be available in your country. Please check your local hobby shop for substitute



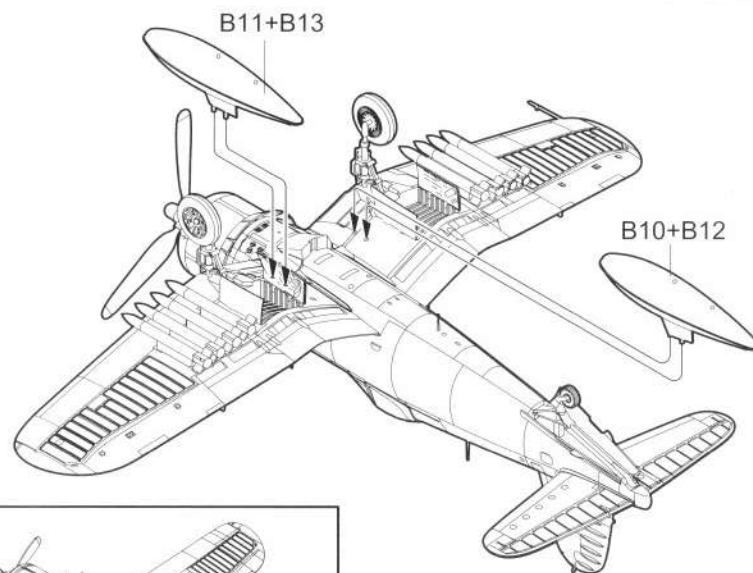
部品图 Parts



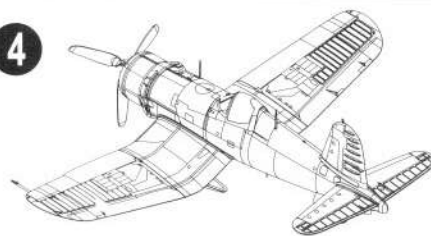
2



3



4





3



4



7



5

9

10

1/72 80217 F4U-1D