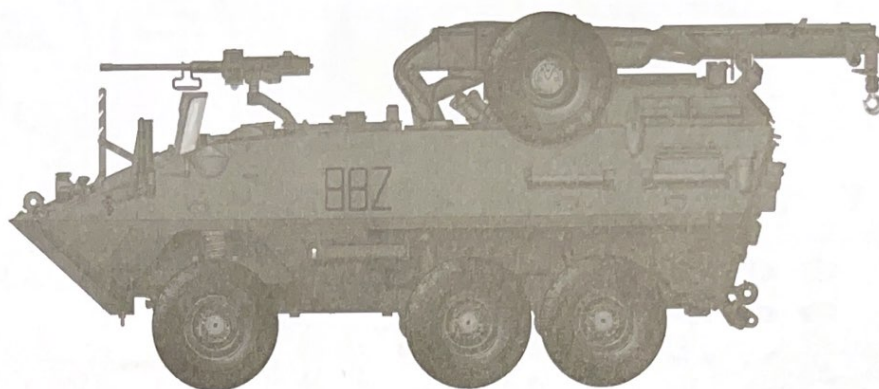


1/35 SCALE

ITEM NO.:01506



# Canadian Husky 6x6 AVGP (Improved Version)

## 加拿大陆军“哈士奇”装甲抢修车后期型

### READ BEFORE ASSEMBLY:

- Study and understand these instructions thoroughly before beginning assembly
- When needed, remove photo-etch parts carefully using a modeling knife or photo etch sprue cutter, being careful not to damage or lose small parts.
- Take extra care in handling photo etch parts in order to avoid injury
- Apply instant cement sparingly to photo etch parts where instructed
- Tools recommended(not included in kit):Plastic and instant cements, sprue cutters,long nose pliers,modeling knife, small files, tweezers, pin vise & scissors. Soft cloth and sandpaper will also assist in construction
- Glue and paint are not included in the kit. Use plastic cement and hobby paints only. Color guide for purchasing paint is included in the kit.

### 装配之前仔细阅读

- 小心用模型锉刀锉平所有零件表面的注射浇口。
- 小心用刀片切下蚀刻片零件，不要遗失小零件。
- 用强力快干胶水粘合蚀刻片零件和金属轴。过量快干胶水使用可能导致可动零件会粘住，小心涂胶。
- 取蚀刻片时应特别注意安全，防止利边划伤手指。
- 某些零件表面需贴水上贴纸，请选择在装配的同时进行。
- 推荐模型工具(自备)：胶水，水口剪刀，长咀钳，刀片，锉刀，镊子，钳，钻，剪刀，瞬间快干胶。
- 软布同砂纸同时也应该是必备工具。
- 请使用塑料胶水和油漆，模型内不含。



配重  
Weight



使用强力胶  
Cyanoacrylate glue



钻孔  
Make hole



切除  
Cut / Remove



贴纸  
Decal



锉平  
File / Sand



选择  
Option



不涂胶水  
No cement



弯曲  
Bend

### 水贴纸的使用:

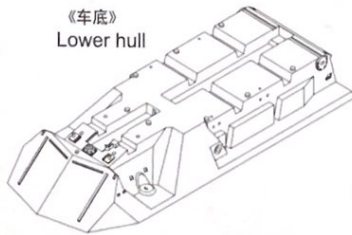
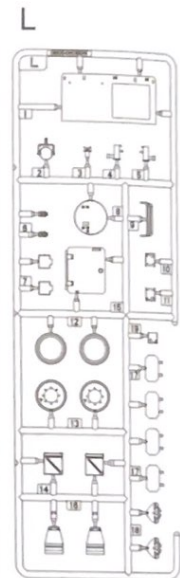
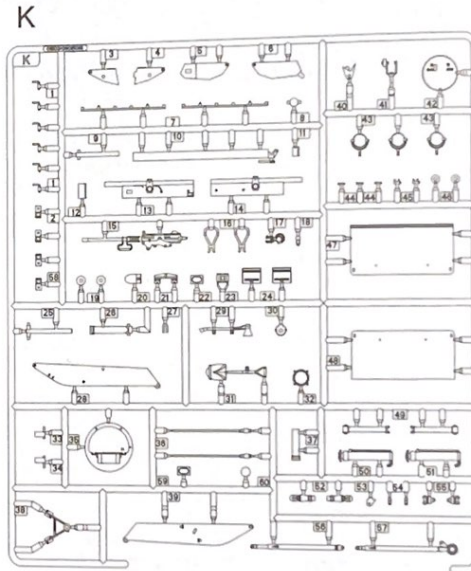
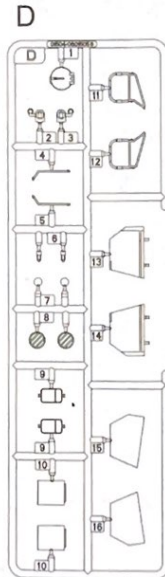
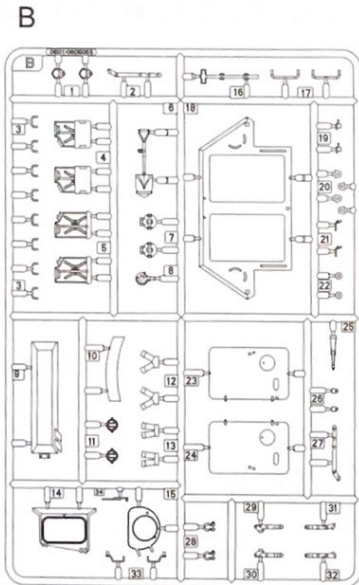
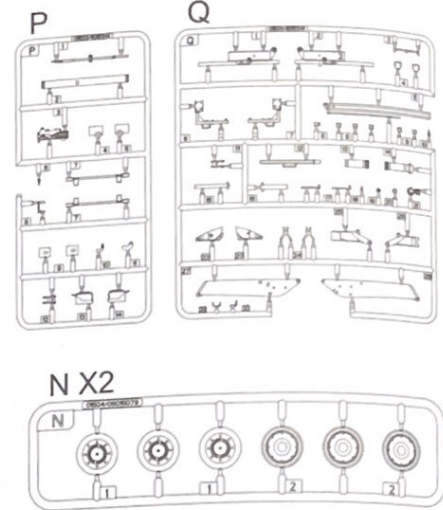
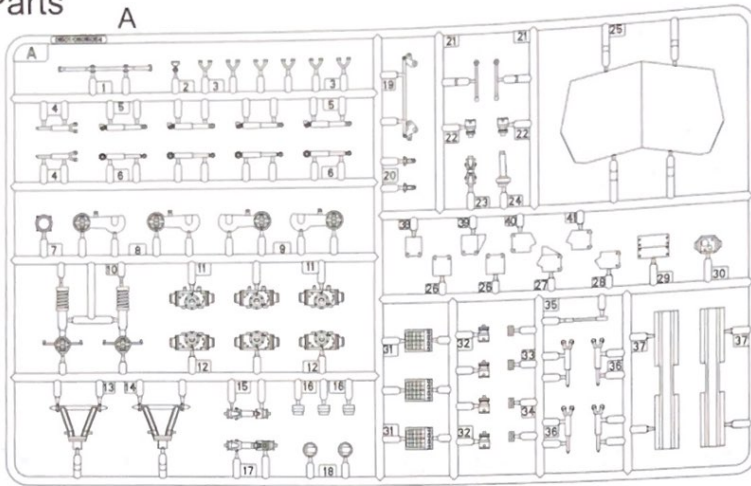
- 1.从水贴上剪下印花;
- 2.将印花放入温水中浸10秒, 然后放在干净布上。
- 3.拿着印花纸板将印花移到模型上;
- 4.手指蘸水将印花移到适当的位置;
- 5.用软布轻压印花直至水干, 气泡消失

### DECAL APPLICATION

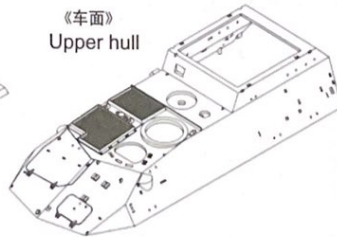
- 1.Cut decals from sheet as needed
- 2.Dip the decal in warm water for about 10 seconds and then place on soft clean cloth.
- 3.Hold the decal backing sheet edge and gently slide the decal onto the model in its proper position.

- 4.While still wet,decal can be adjusted for better fit on model by dampening it gently with your finger.
- 5.When placed in the proper position,gently press decal down with a soft cloth until excess water and air bubbles are gone.
- 6.Allow decal to dry completely before handling model

部品图  
Parts



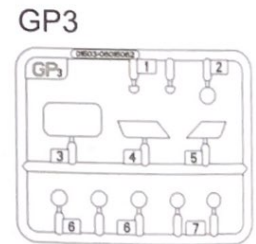
《车底》  
Lower hull



《车面》  
Upper hull



《轮胎》X8  
Tyre



GP3

不用的部件:

Unused parts

A1,A2,A7,A25,A26,A38,A39,B4,B5,  
B6,B11,B25,GP2,GP6x1,K2,K3,K4,  
K5,K6,K7x1,K9,K10,K13,K14,K16,  
K17,K19,K24,K25,K26,K28,K31,K34x2  
K34x2,K36,K37,K39,K42,K43x2,K45,  
K48,K52,P6,P10,P11,P12,

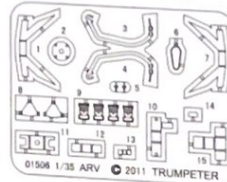
《铜丝》 $\varnothing$ 0.35X100mm  
Brass wire



《铜丝》 $\varnothing$ 0.5X300mm  
Brass wire



《蚀刻片》  
Photo Etched Parts

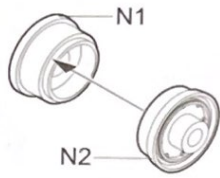


《水贴》  
Decal



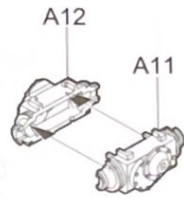
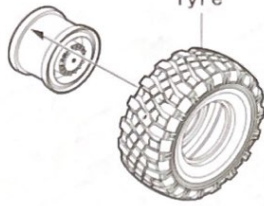


1



《车轮》  
Wheel

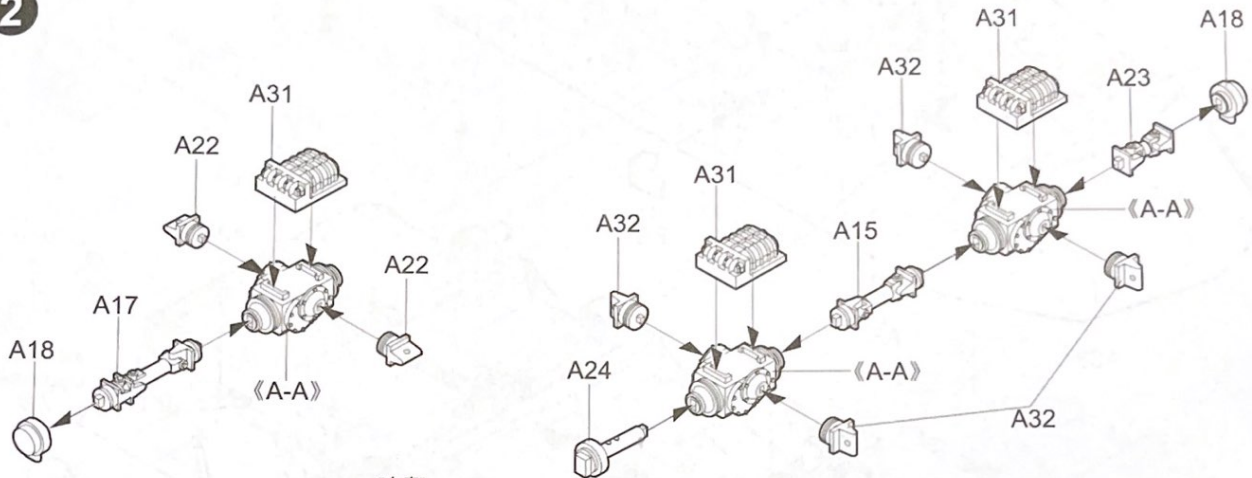
制作 6 组  
Make Six



《A-A》

制作 3 组  
Make Three

2



《车底》  
Lower hull

Ⓡ  
钻孔  
Make hole

Ⓡ  
钻孔  
Make hole

B20

A27

A41

《对侧相同》  
Both sides  
填补  
Fill up

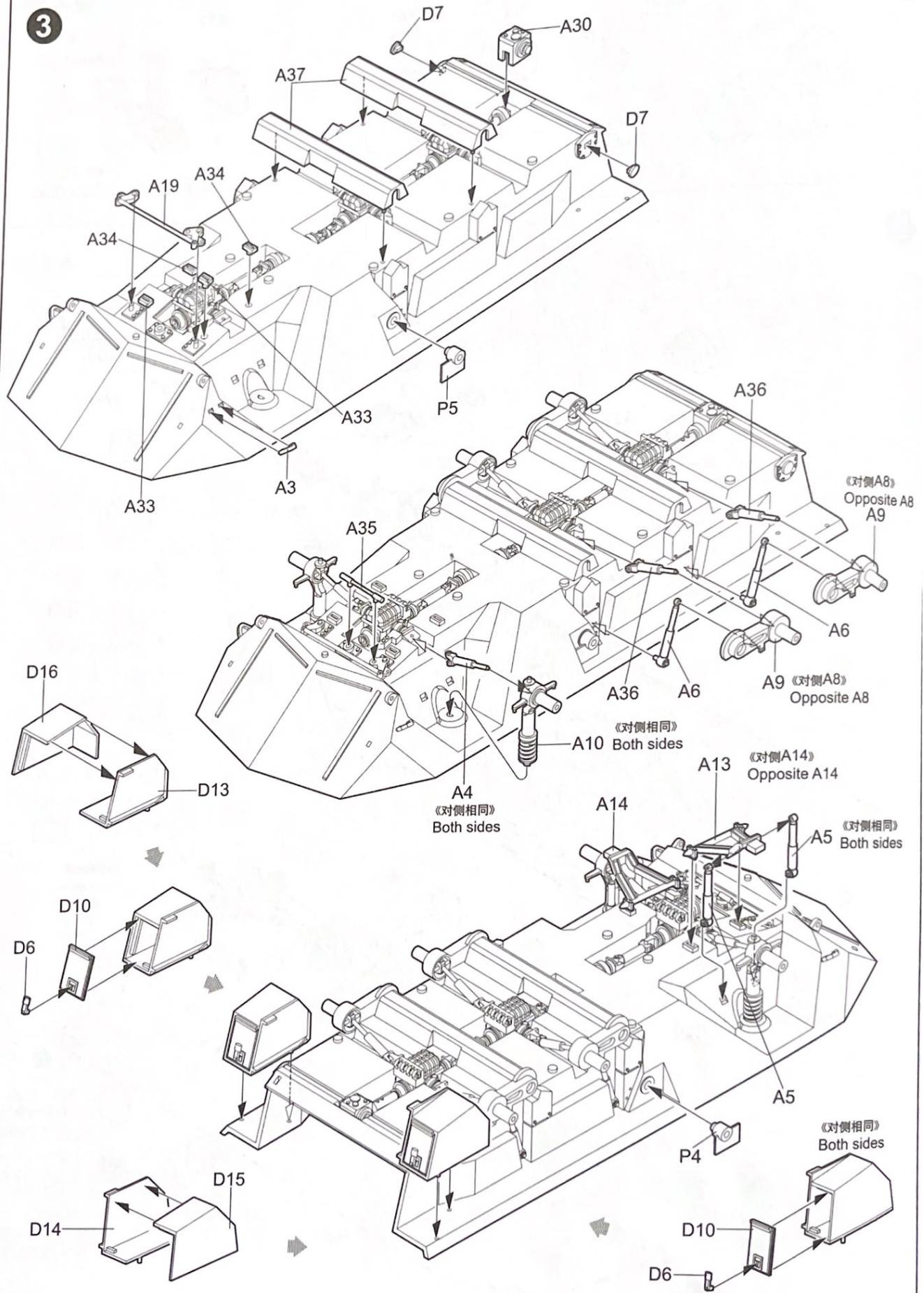
Ⓢ  
锉平  
File / Sand  
《对侧相同》  
Both sides

A40

A28

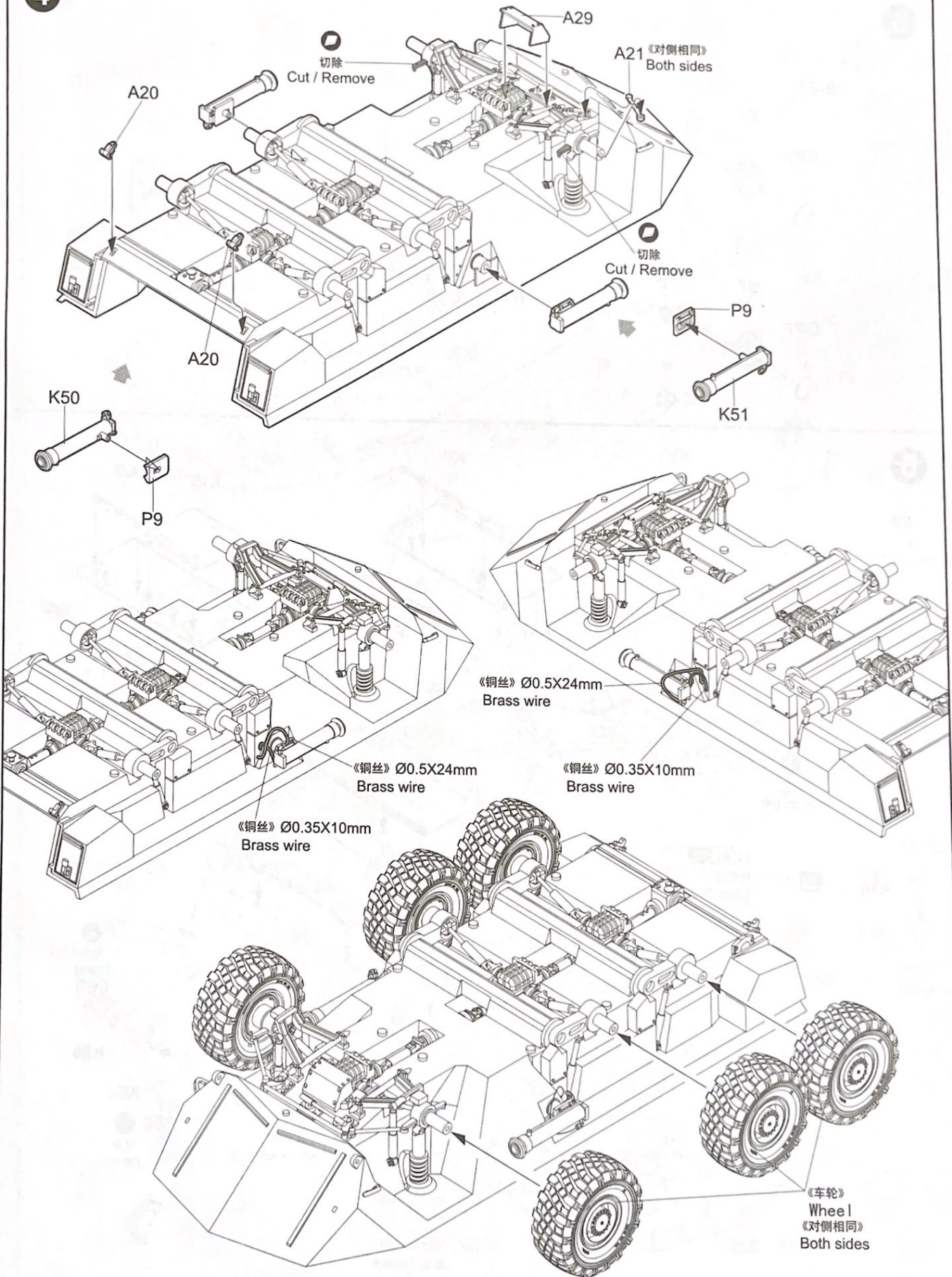
B20

3

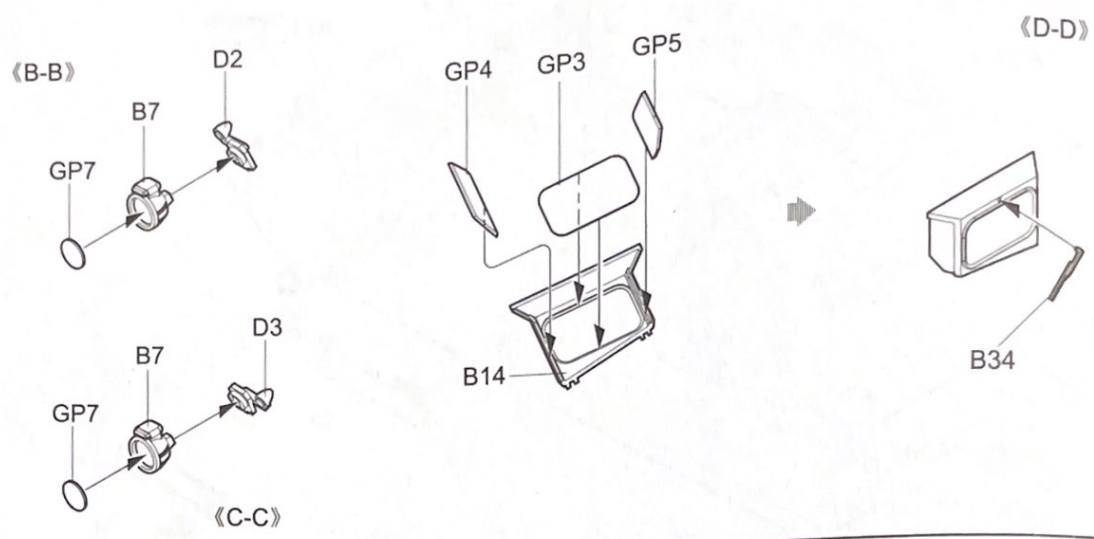




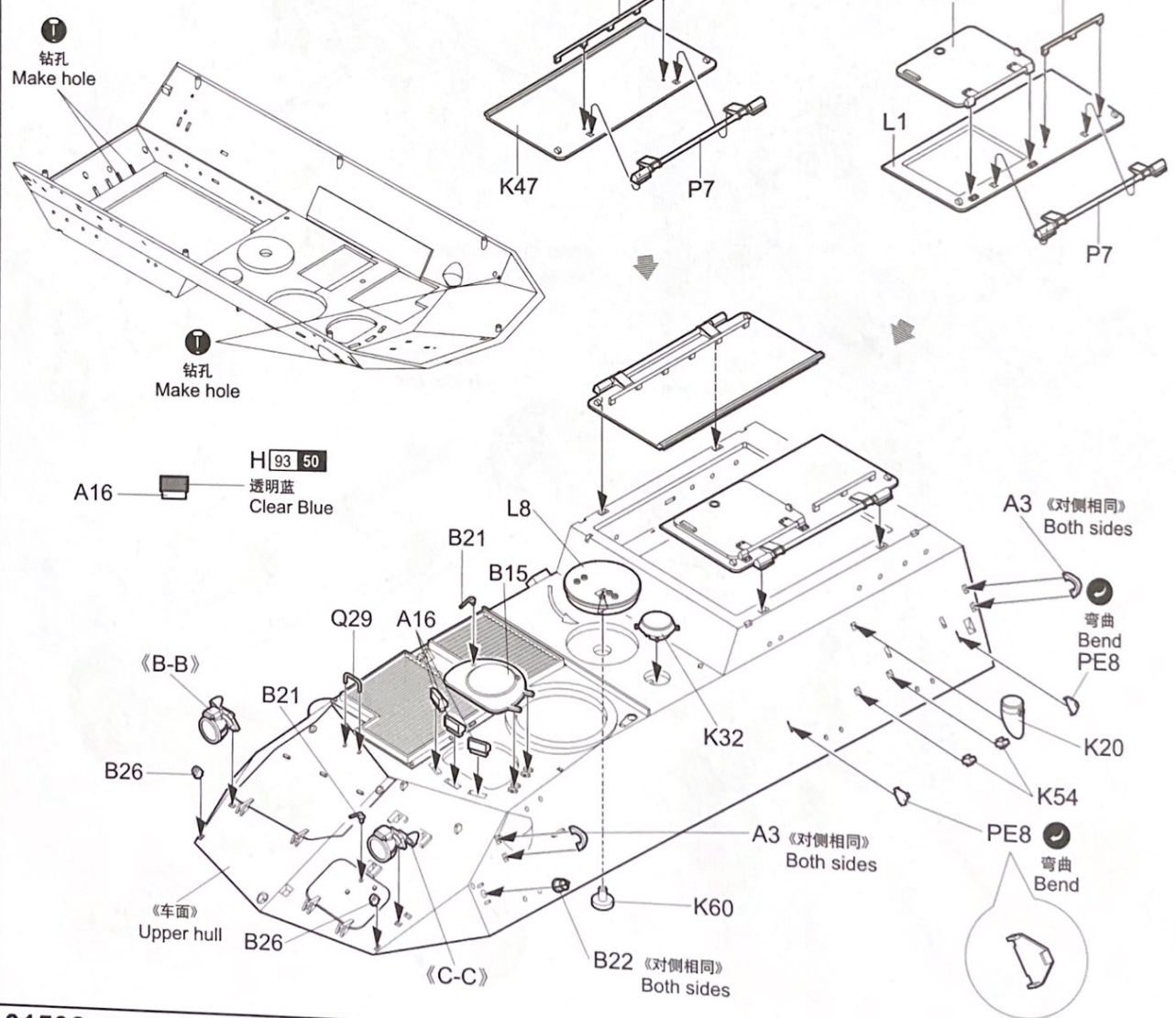
4



5

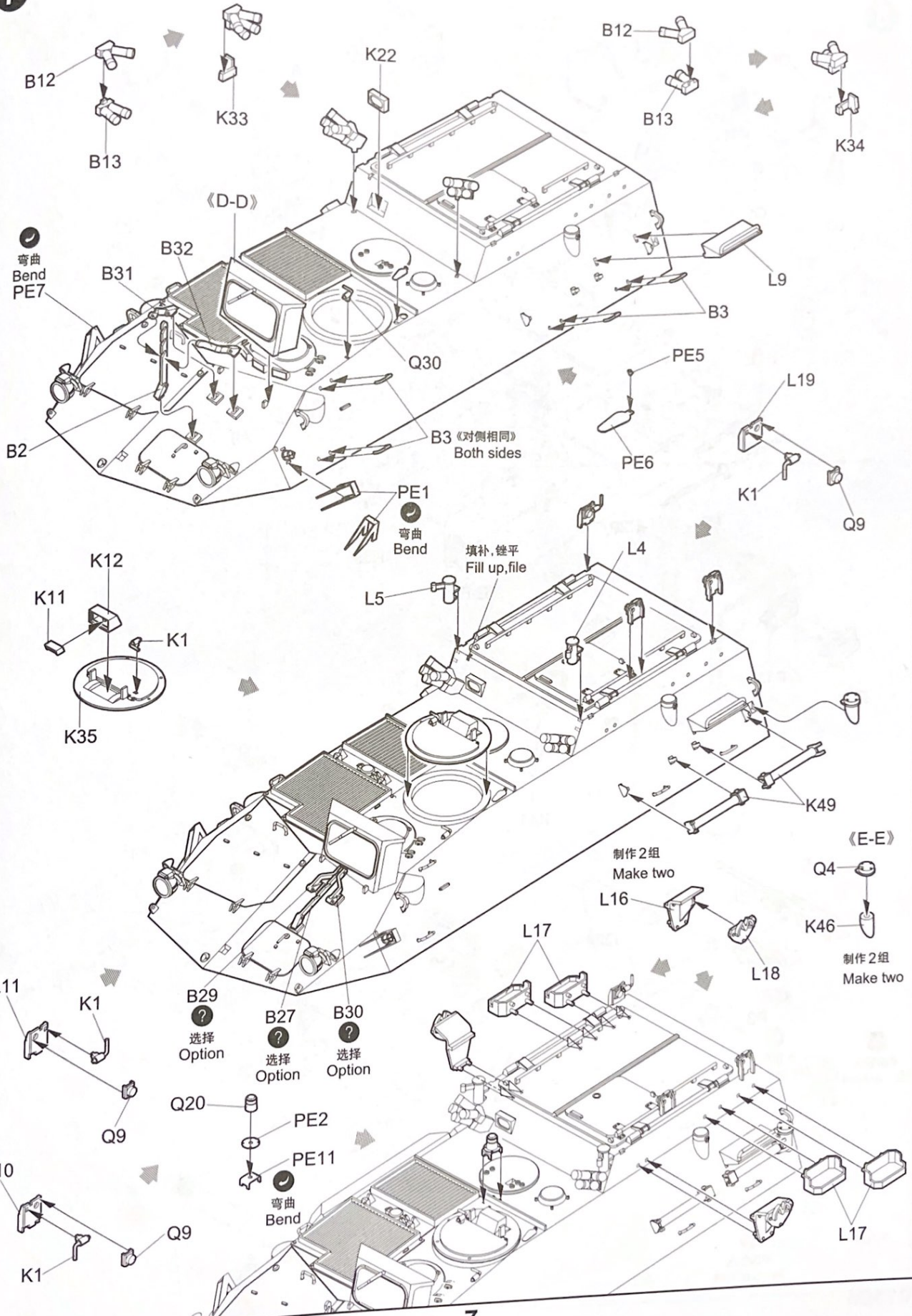


6

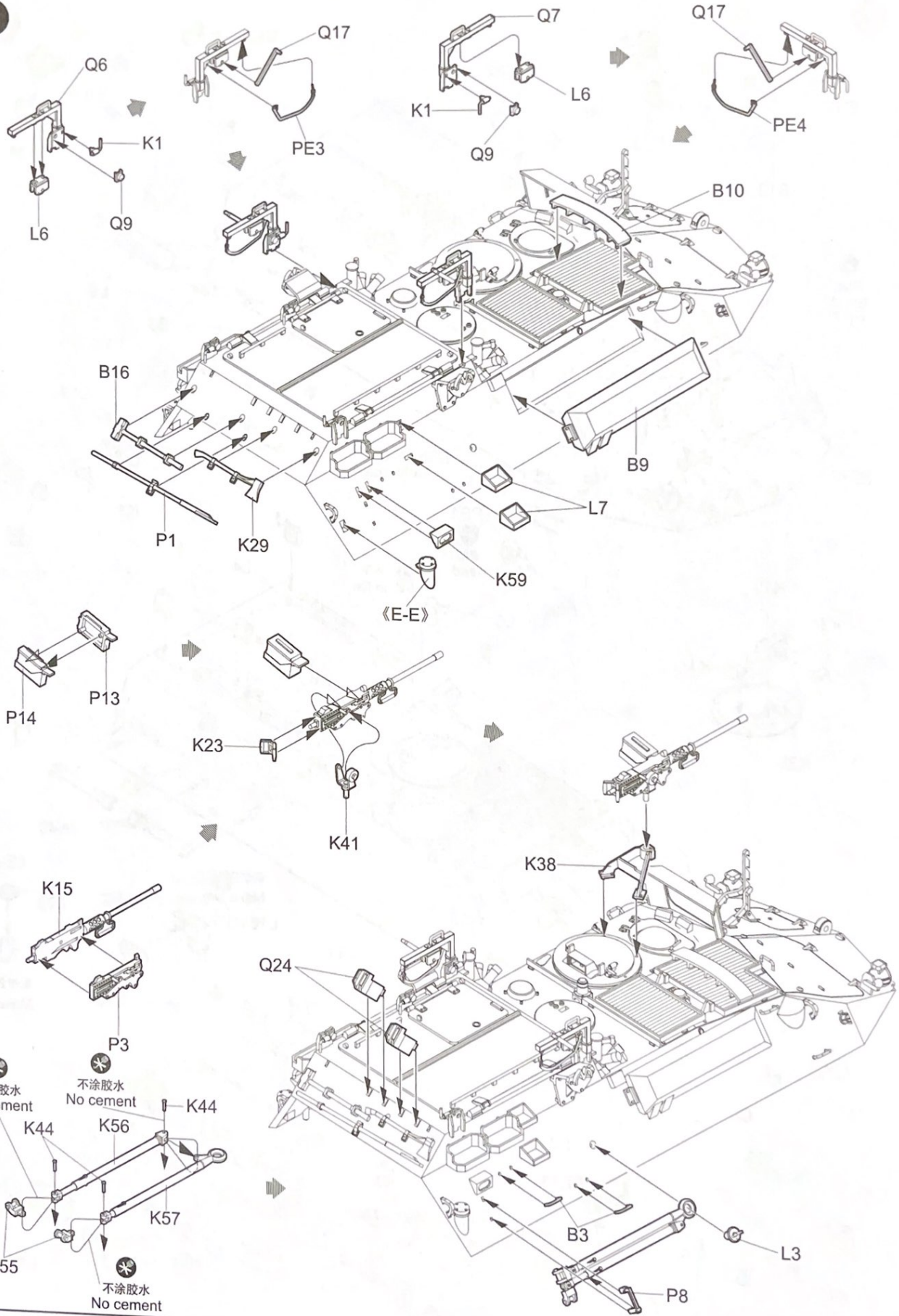




7



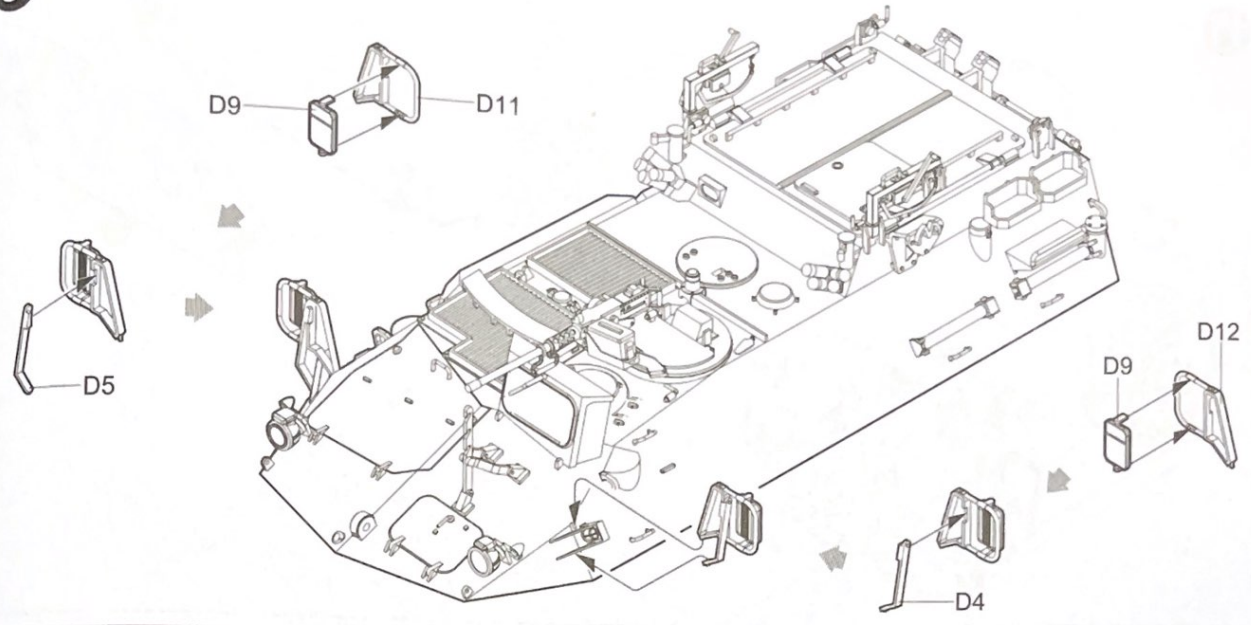
8



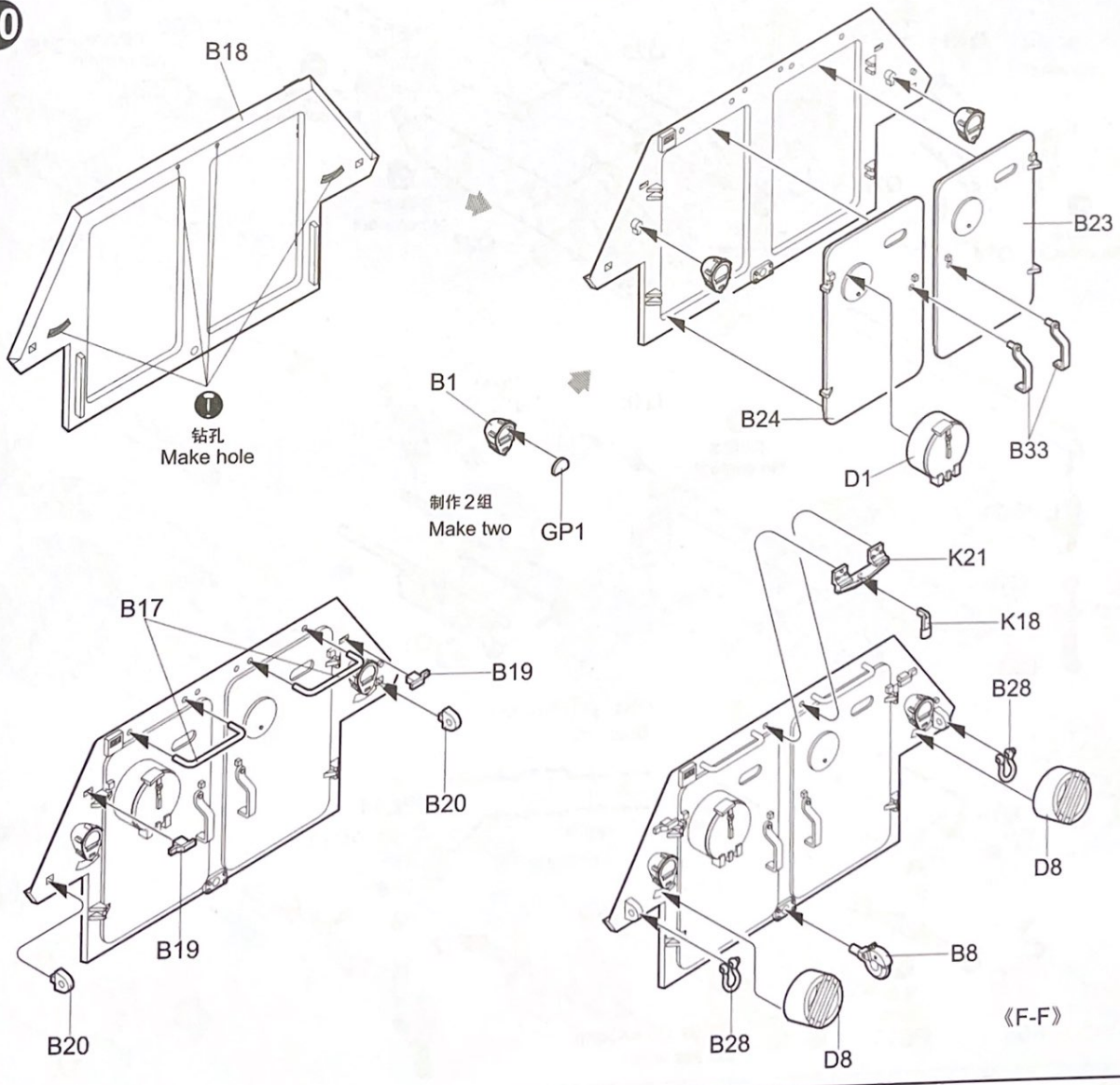
01506



9



10

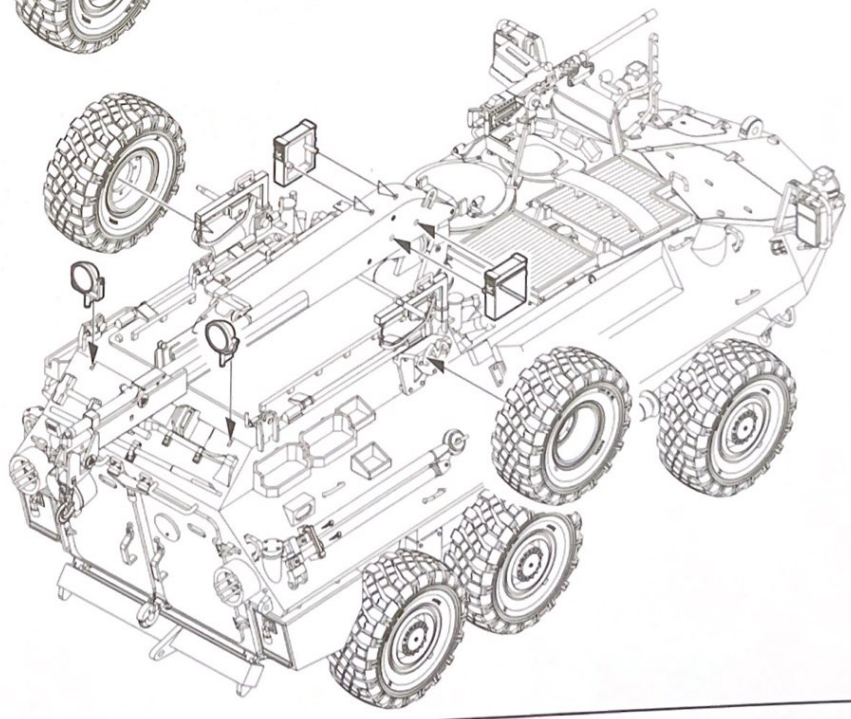
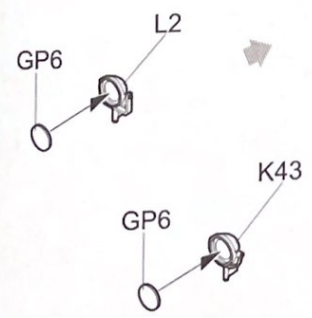
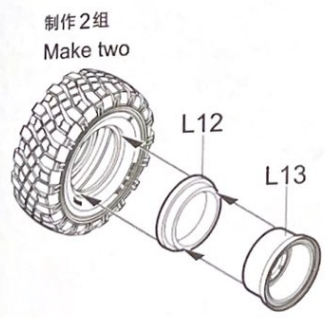
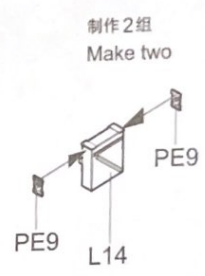
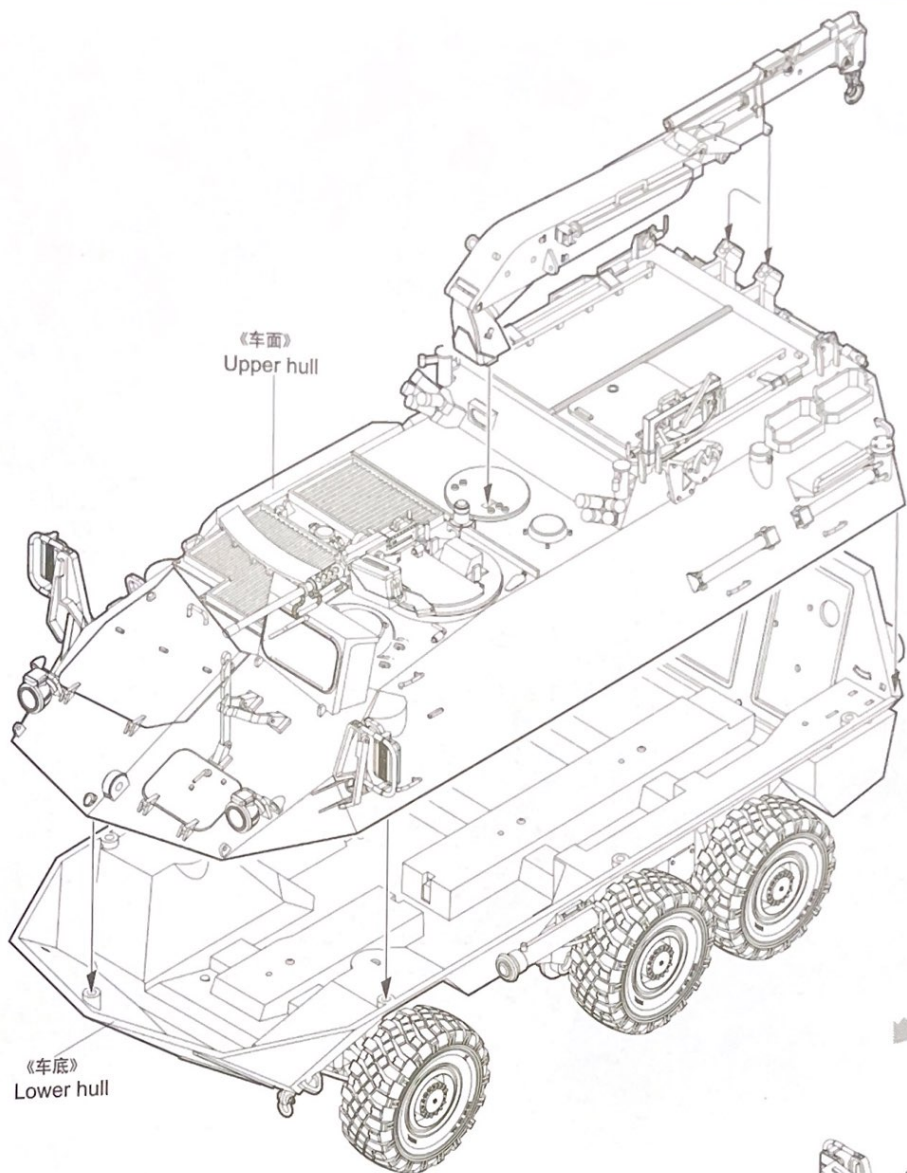


《F-F》

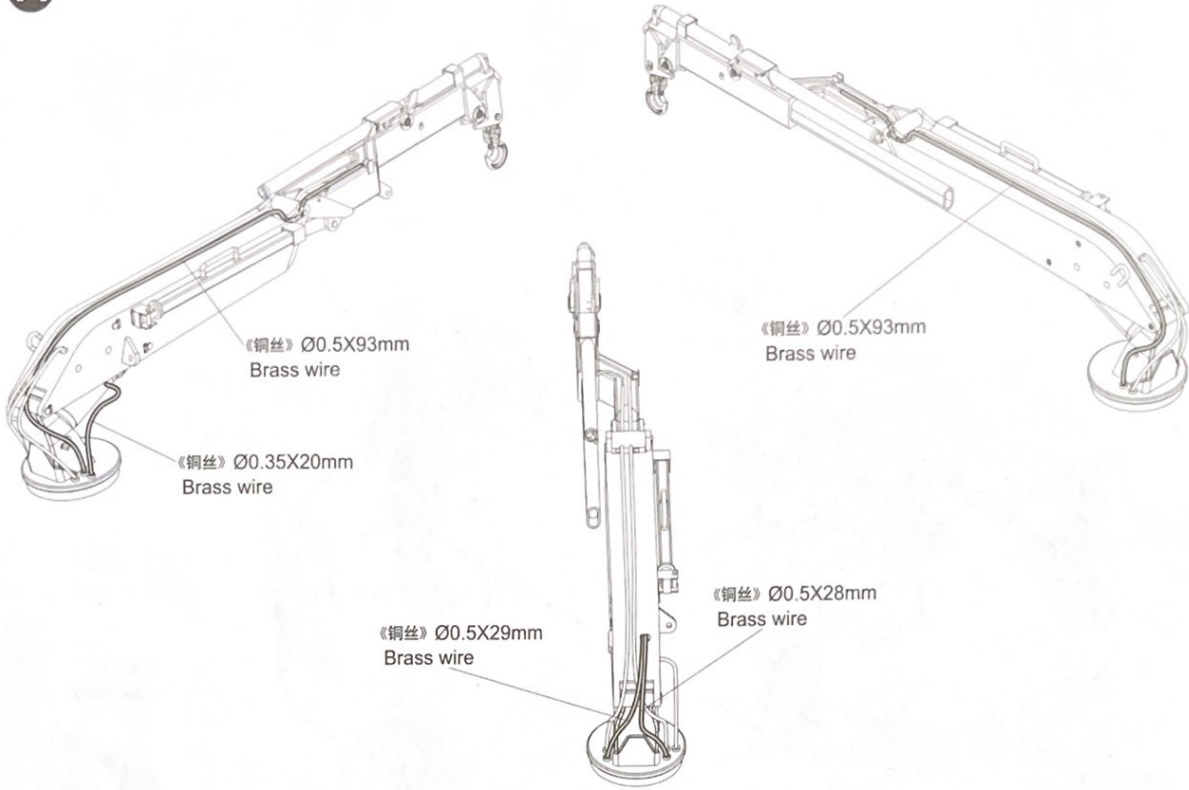




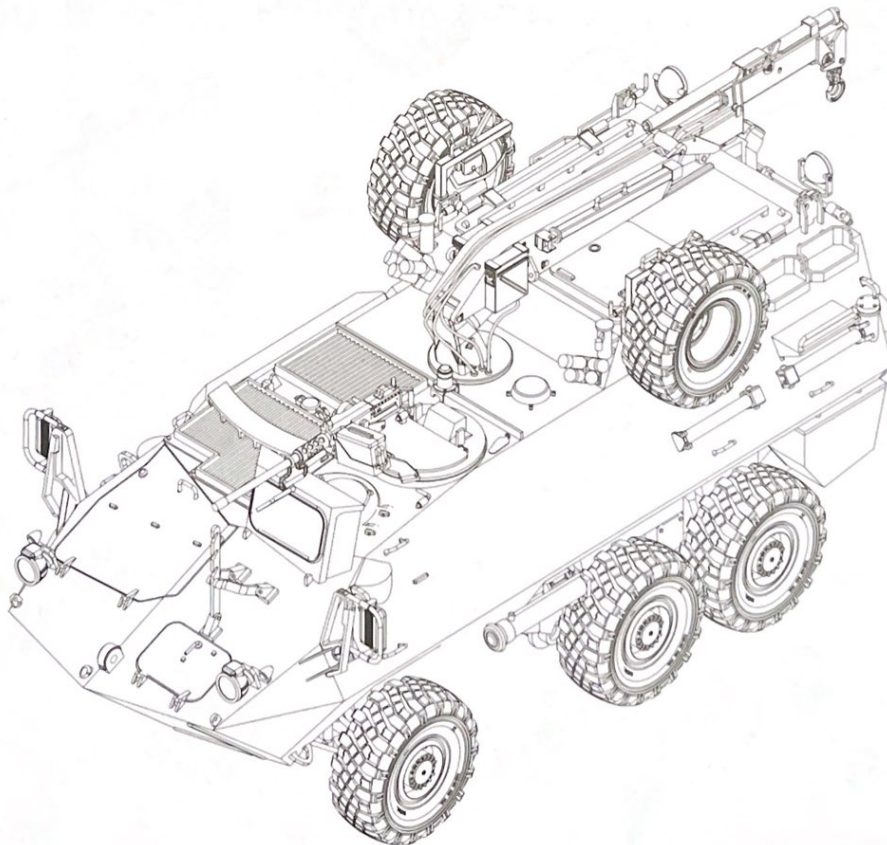
13



14



15

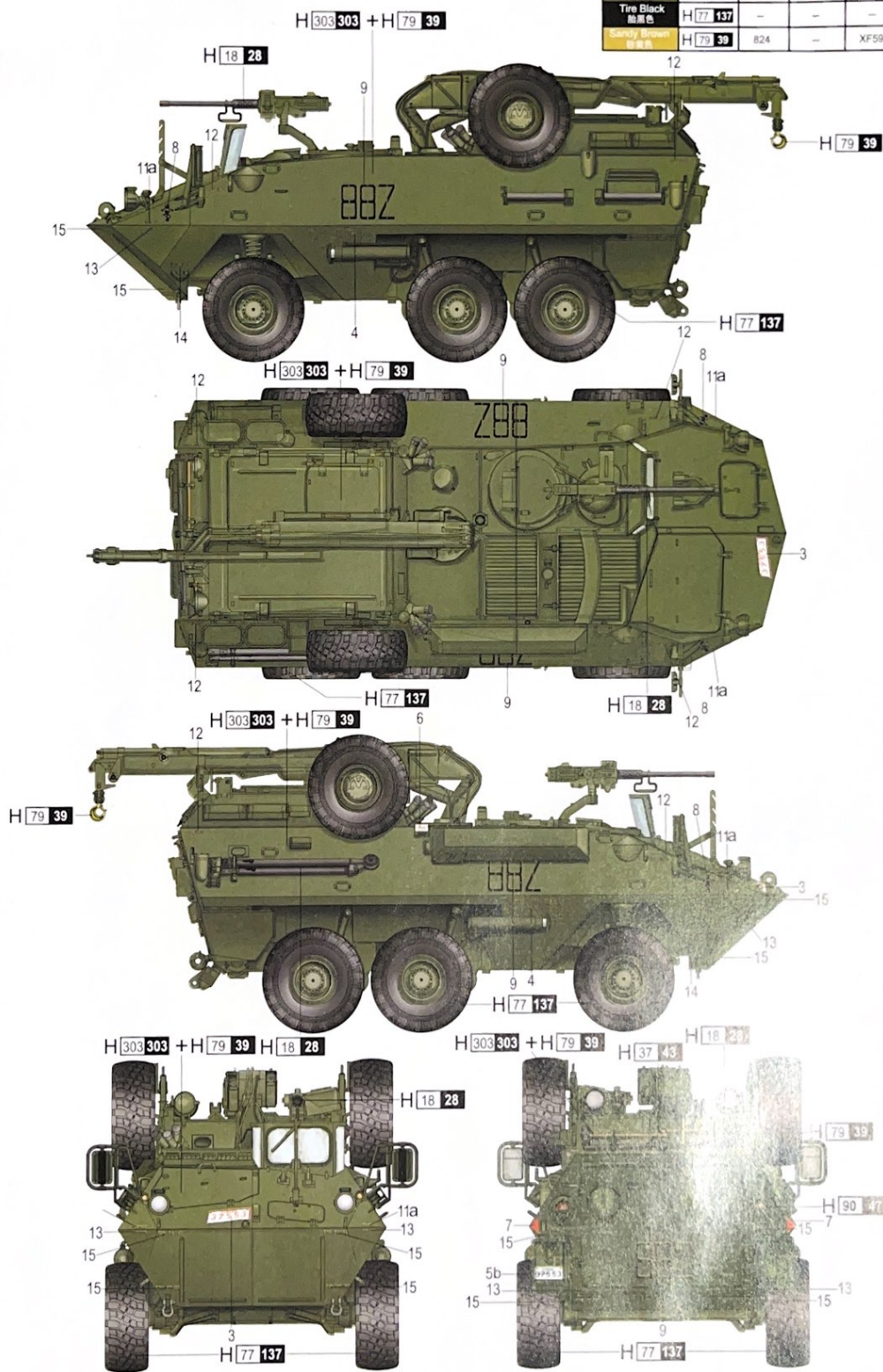




# 涂装同标贴指示 Painting & Marking guide

**B**

Color	Mr.Hobby	Vallejo	Model Master	Tamiya	Humbrol
Metal Black 黑铁色	H 18 28	864	1402	—	—
Wood Brown 木棕色	H 37 43	983	1701	—	186
Orange Red 橘红色	H 90 47	934	—	X27	—
Light Green 浅绿色	H 303 303	—	1713	XF20	117
Tire Black 胎黑色	H 77 137	—	—	—	—
Sandy Brown 沙黄色	H 79 39	824	—	XF59	93



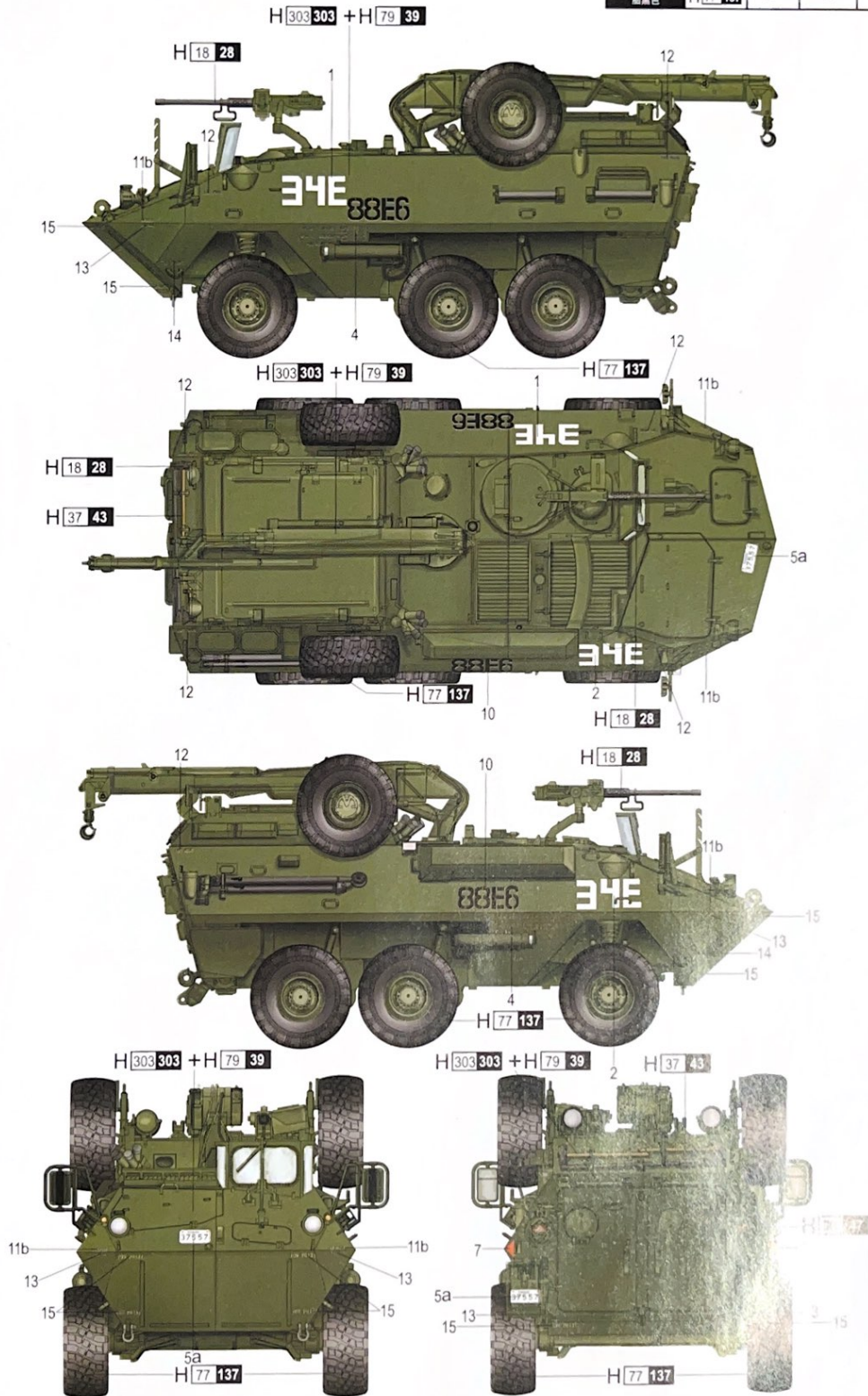
H AQUEOUS HOBBY COLOR ■ Mr. COLOR

01506 1/35 Canadian Husky 6x6 AVGP (Improved Version)

# 涂装同标贴指示 Painting & Marking guide

**A**

Color	Mr.Hobby	Vallejo	Model Master	Tamiya	Humbrol
Metal Black 金属色	H 18 28	864	1402	-	-
Wood Brown 木棕色	H 37 43	983	1701	-	186
透明红 Clear Red	H 90 47	934	-	X27	-
Light Green 浅绿色	H 303 303	-	1713	XF20	117
Tire Black 轮胎色	H 77 137	-	-	-	-



H AQUEOUS HOBBY COLOR ■ Mr. COLOR

01506 1/35 Canadian Husky 6x6 AVGP (Improved Version)