

MAIN FRAMES

Cement part 29 to parts 7 and 15. Then cement part 30 to the fronts of parts 7 and 15. Repeat with parts 31 and 32. Be sure to cement these the right way up. Then cement part 33 horizontally between parts 30 and 32, and cement parts 34 and 35 to the shaft ends vertically. Cement part 36 through the slot in part 47. Cement part 11 to part 3, entering the shaft end of part 10 into the hole in part 4. Paint parts 34, 35 and 36 grey.

ERRATA

Instructions headed MAIN FRAMES

5th and 6th lines in paragraph should read :

“Cement part 36 through the slot in part 33.”
(Delete 47)

P.105

ENGINE BEARER ASSEMBLY (See sketch 1)

Cement part 3 between the locating ribs on the inside of parts 1 and 2. Cement part 4 into the slot in part 3. Then cement parts 5 and 6 into place on part 3. Cement and locate parts 1 and 2 into the centre holes in part 7. Cement part 8 under the leading edge of part 7, and also cement it to the front members of parts 1 and 2.

FIRST STAGE PAINTING

Paint parts 1, 2, 3 and the sides of part 8 light brown. The seats can be a darker brown. Part 8 inside and out in silver. Parts 4 and 11 are grey, also the petrol tank supports at the rear of parts 1 and 2. Pick out the details on the control panel on part 2 in grey or silver. Paint part 10 brown, and part 9 silver with dark grey cylinders. Part 16 and 17 are grey. Parts 13 and 18 are dark grey. The four tyres on parts 36 are dark grey.

CENTRE SECTION (See sketch 2)

Cement parts 13 and 18 onto the supports on parts 1 and 2. Cement four struts part 14 into the location holes in part 7 close to parts 1 and 2. Cement part 15 onto the tops of these struts. Lay this assembly on end over the mainplane drawing A. Adjust the assembly to the drawn outline and support it to keep it square with suitable blocks. This must be left now to dry completely. Thread the shaft on part 10 through part 11, slip part 12 over the shaft, and fix it with a drop of cement up close to part 11. Cement part 9 to the peg on part 10.

TAILPLANES

Cement part 19 to part 20. Then cement 20, 21, 22 and 23 to part 24. Cement part 25 to the tops of the struts and then place this assembly over drawing B. Adjust to the outline and support the assembly to keep it square. This must be left to dry firmly. Cement parts 26 into the inner slots in part 27.

MAIN FRAMES

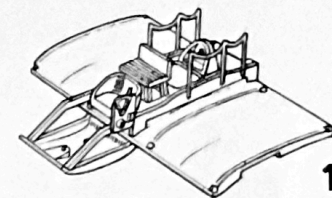
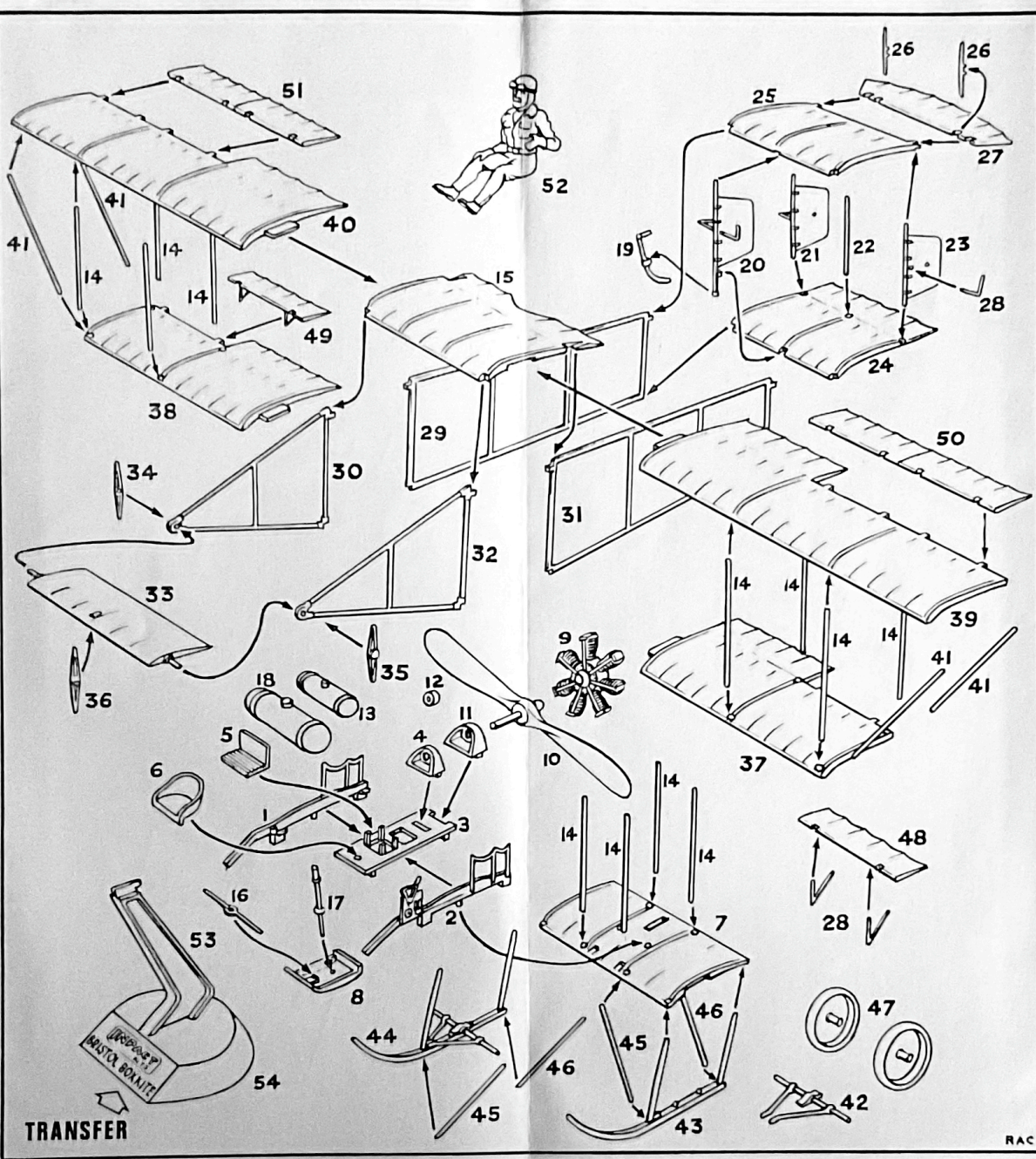
Cement part 29 to parts 7 and 15. Repeat with parts 31 and 32. Be sure to cement these the right way up. Then cement part 33 horizontally between parts 30 and 32, and cement parts 34 and 35 to the shaft ends vertically. Cement part 36 through the slot in part 47. Cement part 11 to part 3, entering the shaft end of part 10 into the hole in part 4. Paint parts 34, 35 and 36 grey.

WINGS

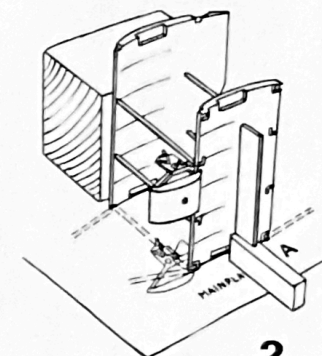
Cement parts 37 and 38 to part 7. Support to keep wings horizontal. Cement two parts 14 at the wing tips of part 37 and 38. Then cement parts 39 and 40 to part 15 and cement the ends of parts 14 into the locations in parts 39 and 40. Cement strut parts 41 into the outer location holes in 39 and 40, the lower ends being cemented to the lower ends of parts 14. Four more parts 14 can now be cemented into the remaining strut locations and all struts painted light brown.

UNDERCARRIAGE

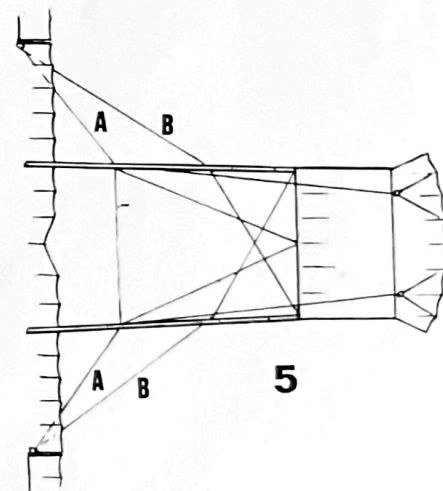
Cement one part 42 to part 43, and one to part 44 shown assembled. Turn model over bottom up and cement 43 and 44 into the locations in part 7. Support these by cementing a strut 45 and 46 diagonally from part 7 to parts 43 and 44. Paint parts 42 grey, excluding the outer part of the axles. Slip wheel parts 47 over the axles and warm the ends with a hot knife to secure.



1

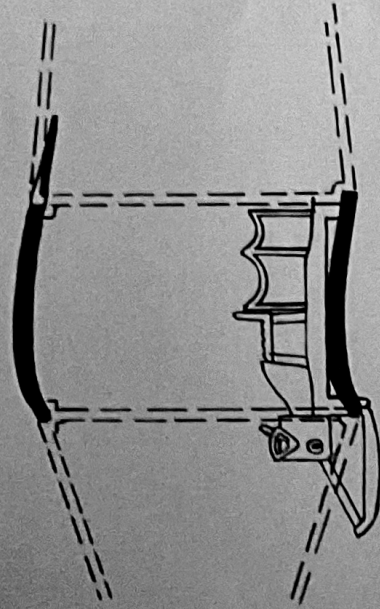


2

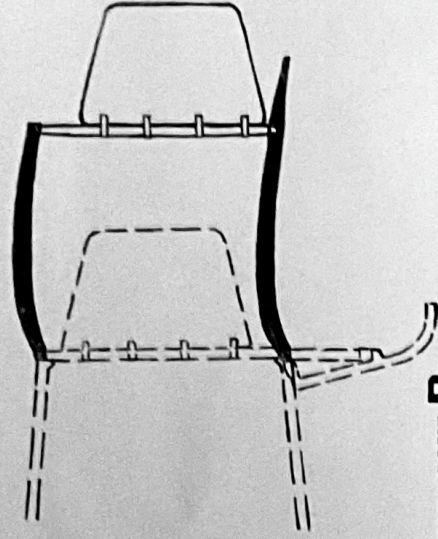


3

RAC



MAINPLANES A



TAILPLANE B

RIGGING (See sketch 3)

When the cemented model is completely firm, it can be rigged with fine nylon thread. Begin by rigging tail from A to B, C D back to A, then to E, F, G and back to A. Knot the thread at each point and fix with a small spot of cement. From B take a thread to H, I, J and tie at D. From E take a thread to M, L, K and G. Diagonally brace booms 29 and 31 from B and M continuing to the front booms 30 and 32.

WINGS (See sketch 4)

Cross brace all interplane struts on the mainplanes as shown. Then brace diagonally all struts outward following letters, O, P, Q, R. Repeat from point S to T, etc. Brace at the rear struts in the same way.

UNDERCARRIAGE

Brace following the numbers 1, 2, 3, 4 back to 1. Then from 5, 6, 7, 8, back to 5. Take a thread from 7 and 3 to the tips of the skids. Rig from 2 to U, then to point 9. Carry this across to point 10 and X and down to 6. Rig from Q to 12, 13 and Y. Cross brace T to 13 and 12 to W.

BOOM RIGGING

Follow fig. 5 for bracing tail booms, both top and bottom. Wires A and B are crossed from the wing struts to the vertical struts on the booms.

CONTROL WIRES

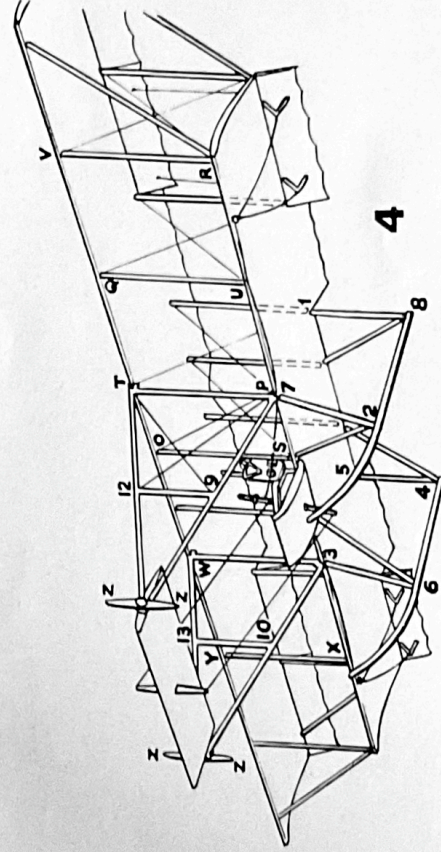
Fig. 4 shows the front elevator control wires to the control column, and also the wires to the balancers. In flying attitude these wires would be taut. Cement thread to points Z, take back between the mainplanes, cross them over and pass them between the centre struts on the tail booms, then cement them to the tips of parts 26 (see fig. 5). Rudder wires run from the ends of the rudder bar 16 out past points 1 and 5 then to the rudders. Carefully paint the rest of the framework light brown. Assemble the stand parts 53 and 54. Soak the transfer in water till it is movable on the paper backing, set in place over the stand and slide the backing from under it. Press with a cloth to fix. A slot is provided under the lower wing of the model to take the stand arm.

TAIL ASSEMBLY

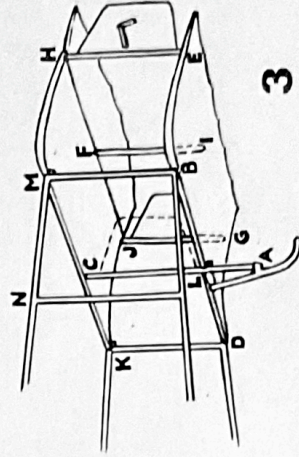
First paint all struts on parts 19, 20, 21, 22 and 23 light brown. The hinges can be grey. Add four parts 28 as shown, and paint grey. Cement part 27 horizontally to part 25, and paint parts 26 grey. Cement 24 and 25 to the booms 29 and 31.

BALANCERS & FINAL ASSEMBLY

Cement 2 parts 28 to parts 48 and 49. Paint these grey. If the model is required as at rest, cement 48 and 49 to 37 and 38, letting them hang down at 60°. Cement parts 50 and 51 to parts 39 and 40, also letting them hang down. If you prefer the flying position cement balancers horizontal to line up with the rest of the wing section. Paint pilot part 52 in white or brown overalls, and cement into seat. Slip part 16 through between parts 1 and 8 and cement over the small pip on part 8. Cement part 17 down into the hole in part 8, letting it protrude underneath.



4



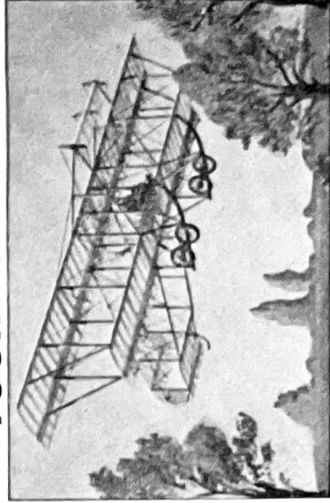
3

IMPACT
KITS

4th or 1/4 = 1 FT. SCALE BRISTOL BOXKITE

Veteran Series
P.105

INSTRUCTIONS FOR ASSEMBLING YOUR MODEL



BRISTOL BOXKITE

Military Biplane

The British and Colonial Aeroplane Company chose to manufacture flying machines that would sell and be a financial success, and to this end used sound judgement in following the designs of popular and well tried machines. The Boxkite closely followed the Farman design, and in 1911 four were ordered by the British Government. These had a 50 H.P. Gnome rotary engine driving an 8' 6" propeller. Extensions were added to the upper wing in order to increase the carrying capacity, either for extra fuel or two passengers. The balancing flaps, which hung loosely when on the ground, trailed out horizontally in flight, and by rocking the steering column sideways, the pilot drew down the appropriate flap, thereby effecting bank to right or left.

IMPORTANT

To avoid difficulty in painting the model, follow the instructions and paint parts when stated. Use cement sparingly. On parts which are painted before assembly, check that the cementing areas are free of paint, or weak joints will occur.