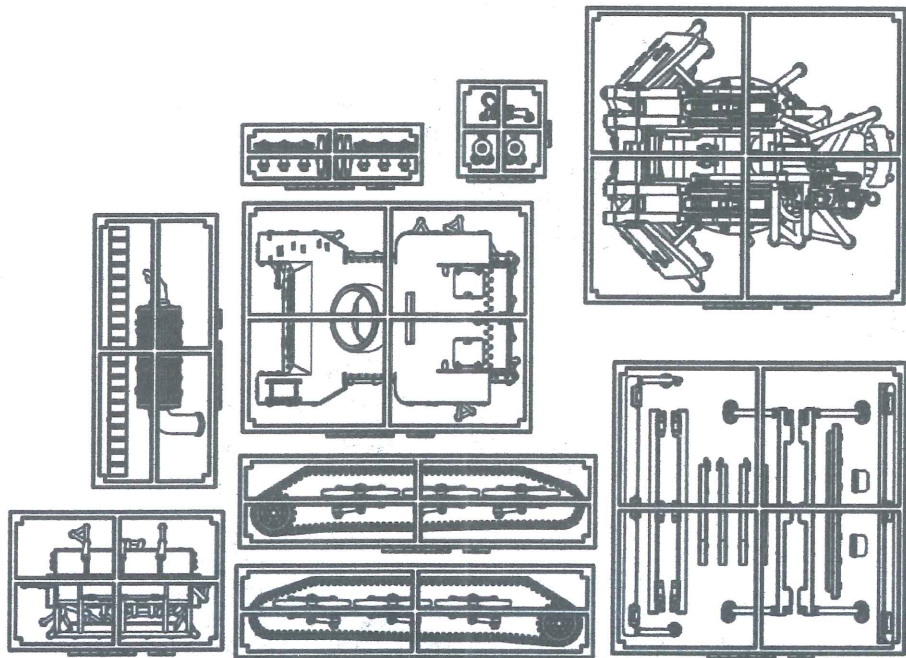




Parts Draw

零件图



**About installation**

1. Our store is a 3D printing model, and the cover is only to show the finished product, which needs to be assembled and colored by yourself. Non-toys, there are small parts, and friends please be cautious to buy to avoid children swallowing by mistake!

2. Subject to the technical limitations of the industry, all 3D printed models on the market are inevitably flawed, if there is lamination can be polished after soil, deformation can be restored with hot water! Some 3D products are required Appropriate hole expansion, please players to solve.

3. The assembly model process is complex and has many links, which is limited by the technical water of the entire industry Flat, there are still hand-made instability and defects (original factory defects), when assembling To a certain degree of hands-on ability, it is recommended to use a pen knife (or utility knife) model pliers during the process Make repairs. Part of the product location is not tight need to adjust the treatment, force The degree needs to be properly calibrated. Please use 502 strong glue, Tamiya, etc. Model glue is ineffective.

**About Materials**

1. The advantage of red wax resin printing is that the appearance is more accurate, the expression is stronger, and the model effect is better. The fruit is better. However, due to the particularity of the material itself, in case of low temperature or long-distance transportation, it is normal that some parts may be damaged.

2. Some products provide common resin printing and red wax resin printing, red wax resin printing The advantage is that the exterior accuracy is higher.

**关于安装**

1.本店为3D打印模型,封面仅为展示成品,需要自行组装上色,非玩具,有小零件,家长朋友请谨慎购买,避免儿童误吞!

2.受制于行业技术限制,市面上所有3D打印模型难免有瑕疵,如果有层纹可补土后打磨,变形可用热水恢复!部分3D产品需适当扩孔,请玩家自行解决。

3.拼装类模型工艺复杂环节众多,受限于整个行业的技术水平,依然存在手工制作的不稳定与瑕疵(原厂瑕疵),拼装时需要一定的动手能力,过程中建议使用笔刀(或美工刀)模型钳等进行修整。产品部分位置出现不严密需自行调整处理,力度大小需要适当掌握。组装请用502等强力胶水粘合,田宫等。模型胶无效。

**关于材质**

1.红蜡树脂打印优势在于外表精度更高,表现力更强,模型效果更好。但因材质本身的特殊性,遇低温或者长途运输颠簸,可能会出现部分零件损坏等,属于正常情况。

2.部分产品提供普通树脂打印与红蜡树脂打印,红蜡树脂打印优势在于外表精度更高。



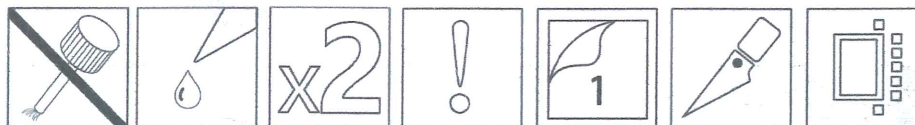
1:72 SCALE

ITEM NO.SS72845

# Japan So-Ki SPAA

## 日本 试制对空战车双联型

### So-Ki



不粘结 Not bonded    强力胶 Super glue    两组 Two groups    注意 Note    贴贴纸 Stickers    切除 Amputate    切取 Cut



弯曲 Curved    遮盖 Cover    左 Left    右 Right    钻孔 Drill    任选一组组装 Assemble one of them    两边安装相同部件 Install the same part on both sides

**Please read carefully before assembly:**

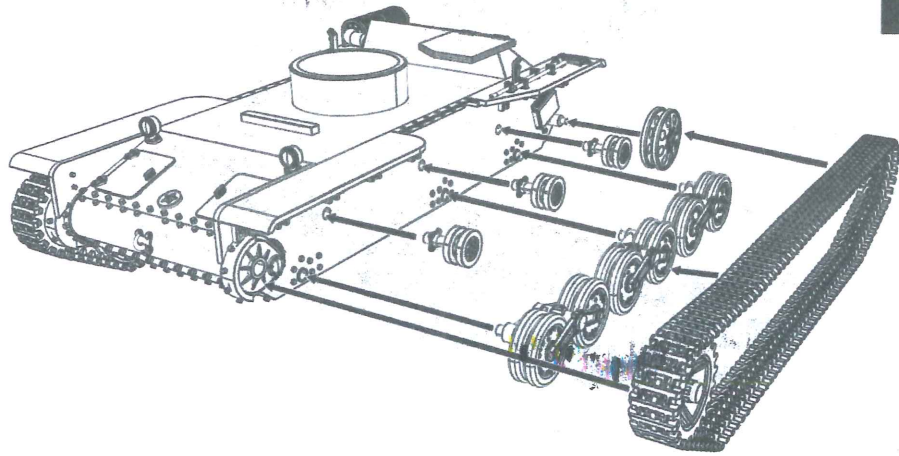
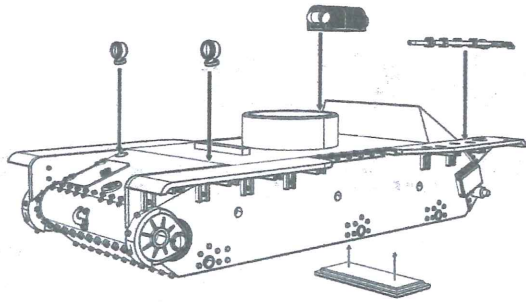
- \* Recommended modeling tools (please bring your own): Special model glue, special model paint, water scissors, long nose pliers, blade file, forceps sandpaper, instant quick drying glue, etc.
- \* Cut all plastic parts and etched parts with water mouth scissors or blade without missing small parts.
- \* Special care should be taken to prevent the sharp edge from cutting the finger when cutting the etching.
- \* Carefully file the injection gates on all parts surfaces with a model file.
- \* Glue etched parts and metal shafts with an appropriate amount of strong fast drying glue, do not overdo it, otherwise it may cause movable parts to be stuck.
- \* Note that the surface of some parts needs to be simultaneously affixed with water stickers during assembly.
- \* When making, keep away from young children and collect the packaging bag in time to prevent accidents caused by children playing.

**装配前请仔细阅读:**

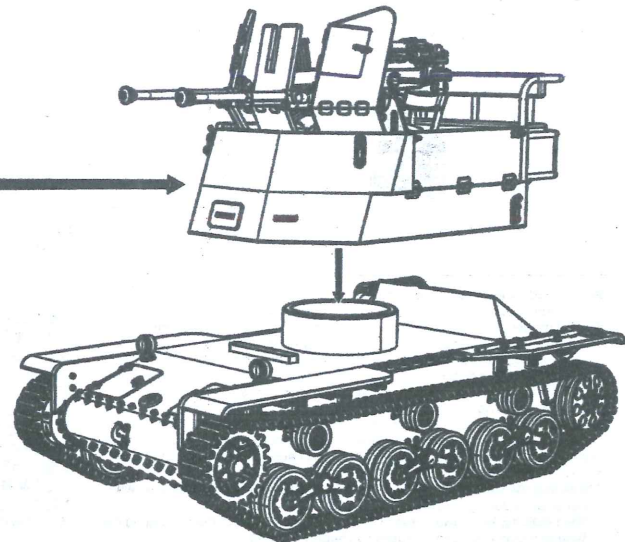
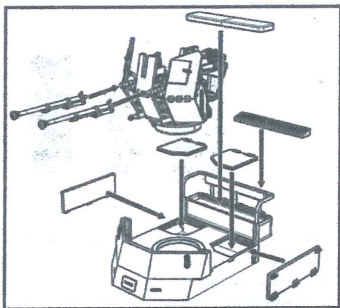
- \* 推荐使用的模型工具(请自备): 专用模型胶水, 专用模型油漆, 水口剪刀, 长咀钳, 刀片锉刀, 镊砂纸, 瞬间快干胶等。
- \* 用水口剪刀或刀片小心切下所有塑胶零件和蚀刻片零件不要遗失小零件。
- \* 切取蚀刻片时应特别注意防止利边划伤手指。
- \* 用模型锉刀小心锉平所有零件表面的注射浇口。
- \* 用适量的强力快干胶水粘合蚀刻片零件和金属轴, 切忌过量, 否则可能导致可动零件被粘住。
- \* 注意某些零件表面需在装配时同步贴水上贴纸。
- \* 制作时应远离幼儿并将包装袋及时收妥, 谨防小孩玩耍而引起意外。



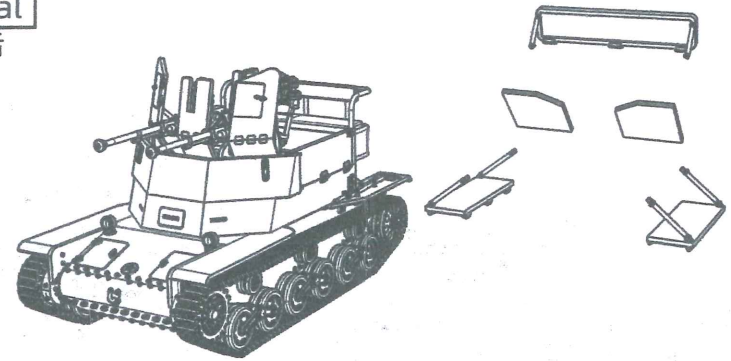
**1** First Step  
第一步



**2** Second Step  
第二步



**3** Final  
最后



**4** Complete  
完成

