

GENERAL MODELLING

You have a Humbrol Model Kit, each piece of which has been carefully researched and produced to allow you to construct a model kit of which you can be justly proud.

Before commencing the assembly

Study these notes and the assembly instructions before starting the model. Identify the numbered pieces on each of the mouldings with the help of the plans. Make certain you know where pieces fit. Where there is a choice of versions, make certain you know which pieces are required for your intended model. Identify the pieces you have to paint before assembling and those that can be painted after assembling. Follow the step-by-step instructions carefully.

Assembling and gluing

Carefully cut the pieces from the sprue using a craft knife with a sharp blade. If necessary, trim the pieces with a file or a sandpaper board to ensure a perfect fit.

Before applying cement, assemble the pieces "dry", in order to satisfy yourself that you know where each is located and that they fit perfectly together.

Use the minimum amount of Polystyrene Cement or Liquid Poly, following the instructions for these products. Make certain that pieces are located together to give perfect symmetry in the model.

Certain pieces may need "clamping" together after cementing, until set. Use one or more spring-type clothes pegs or adhesive tape to assist you to get a perfect join.

Use a pair of tweezers to assist you in assembling the smaller components. Polystyrene Cement or Liquid Poly will not adhere to plated or painted plastic, so carefully scrape away the plating from the points of assembly before applying cement. Any small gaps in the model can be filled using Humbrol Model Filler.

Painting

Use Humbrol Enamels for painting your model.

Follow the instructions as to which pieces to paint before or after assembly. To matt down a gloss paint use Matt Varnish No. 49.

When intermixing paints to obtain a particular shade, make certain that you mix sufficient for the job in hand.

Positioning of decals

Identify the position for each decal on the model according to the version chosen by following the plans.

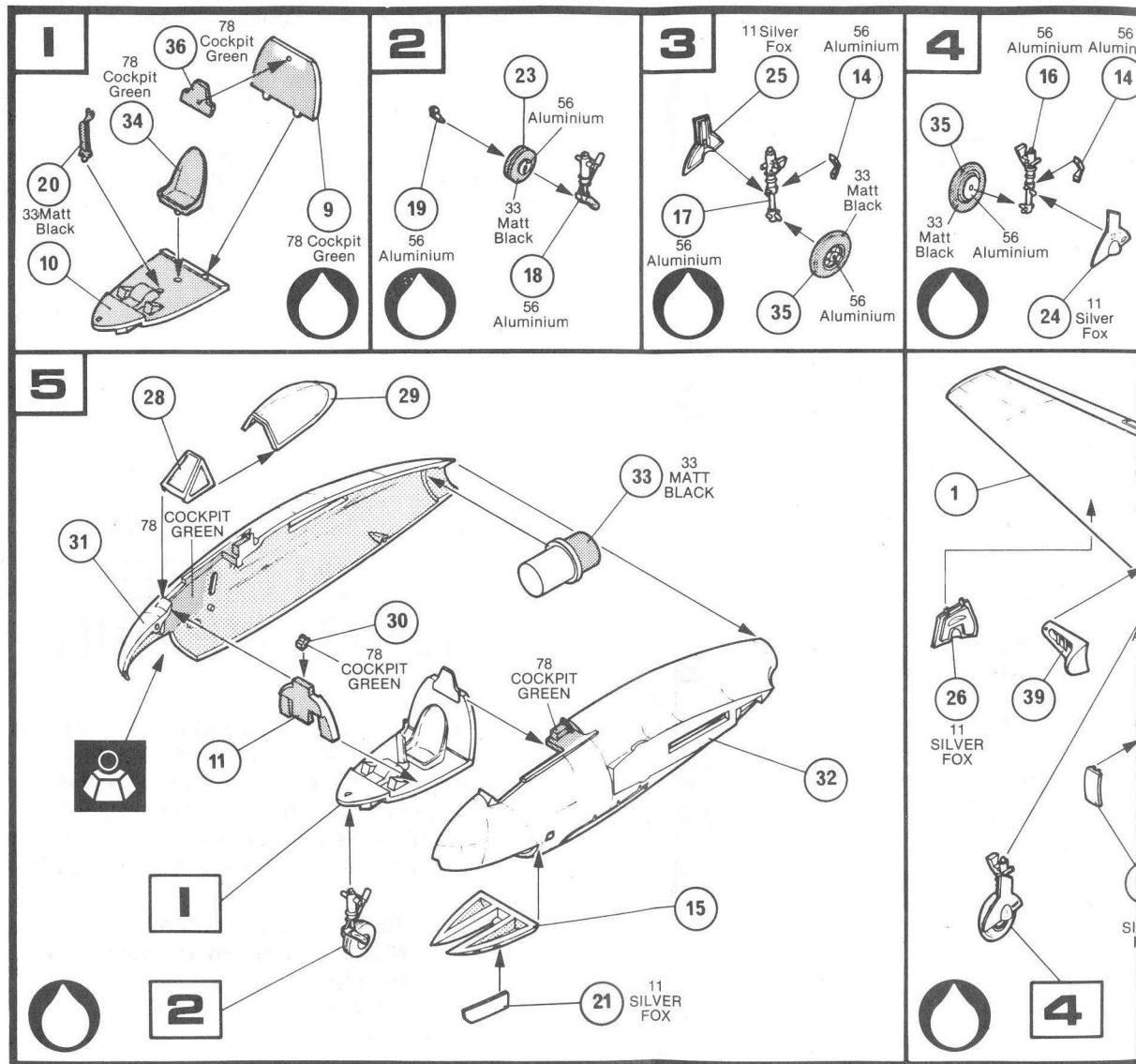
Carefully cut round the decal, soak for a few seconds in lukewarm water, carefully slide from the backing paper into the correct position.

Absorb excess water with a small piece of blotting paper or soft clean rag.

Tools and materials usually recommended and used for modelling (files, pins, craft knife, cements, solvents, paints, etc.) can represent a danger if entrusted to children without the control of a parent. All modellers should exercise care in the use of heat or naked flames and the use of these should not be attempted by a young person under any circumstances.

The above advice is not given lightly and we kindly ask you not to ignore it.

Thank You...Happy Modelling

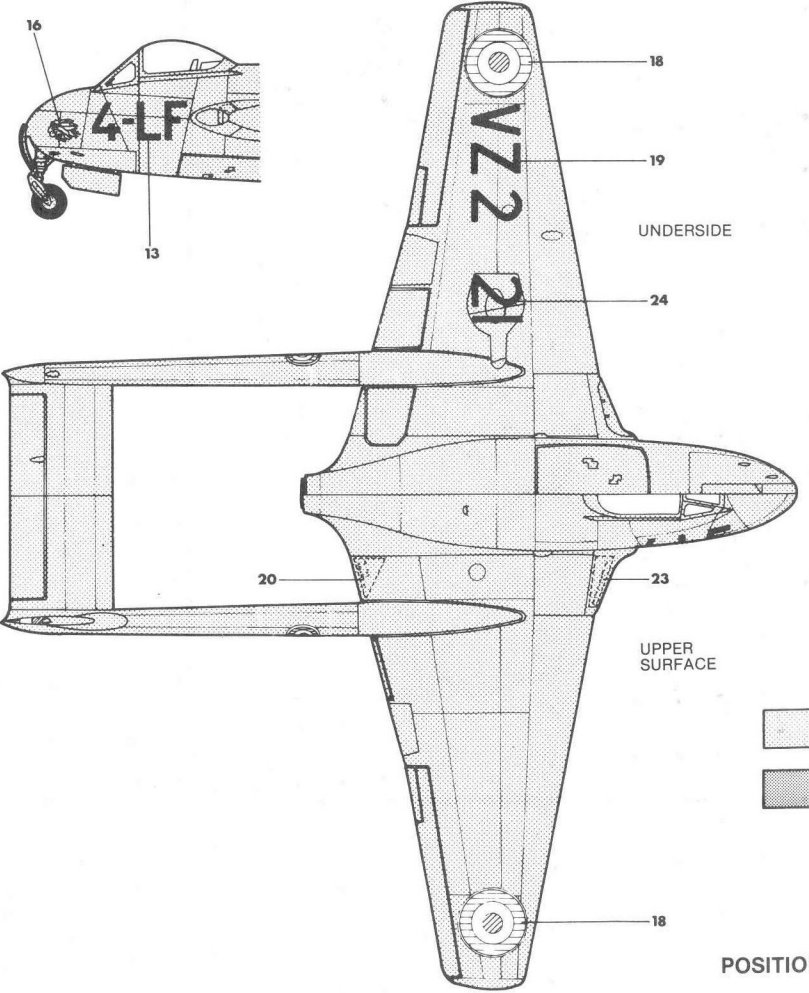
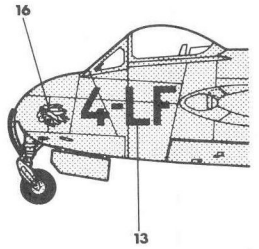
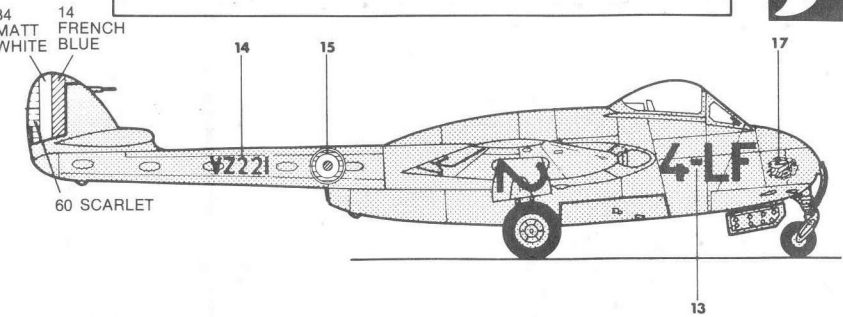


CEMENT TOGETHER



ADD WEIGHT TO NOSE FOR CORRECT 'SIT'

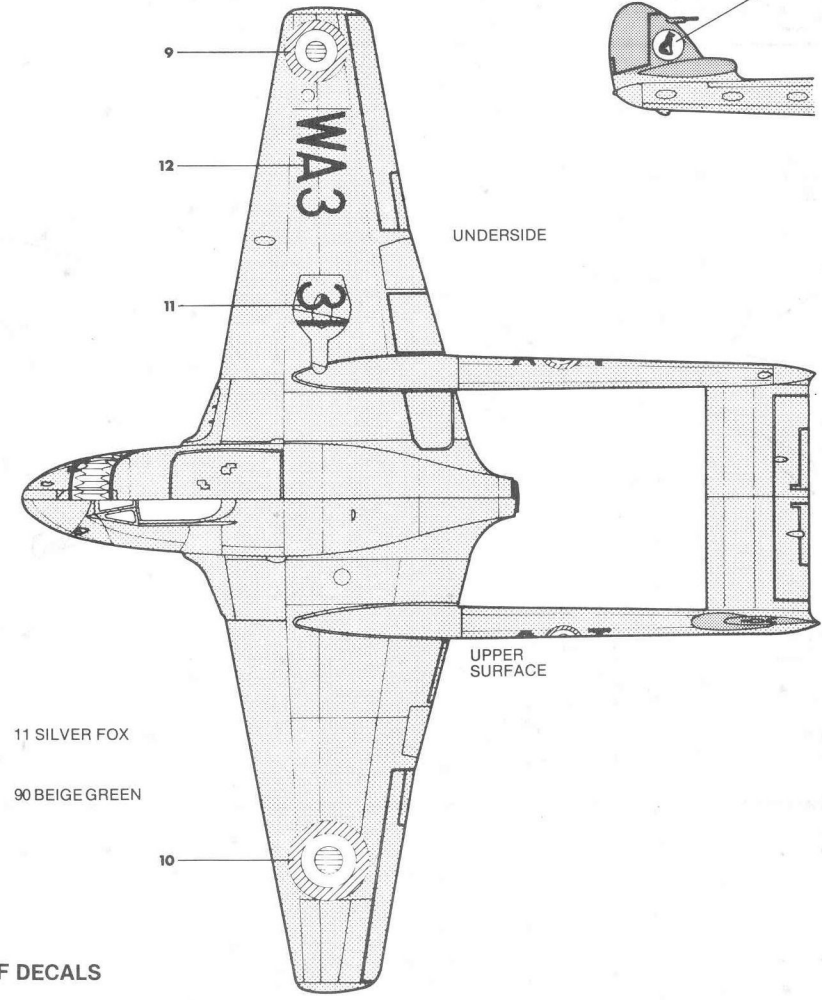
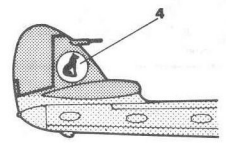
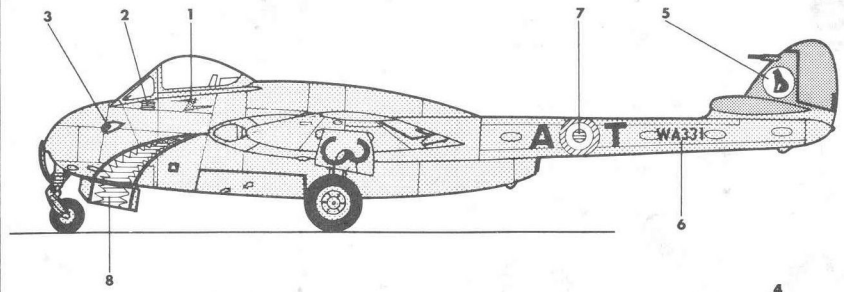
FRANCE – FB5 Vampire 4th E.C. 1/4 Lafayette 1951



-  11 SILVER FOX
-  90 BEIGE GREEN

POSITIONS OF DECALS

G.B. – FB5 Vampire 112th Squadron 2nd TAF



PAINTING

We recommend the use of Humbrol Cement or Humbrol Britfix Liquid Poly Cement, and the following Modelling Paints, and the following Humbrol Colour Reference Numbers:

11 Silver Fox	56 Aluminium
14 French Blue	60 Scarlet
33 Matt Black	78 Cocoon
34 Matt White	90 Beige Green

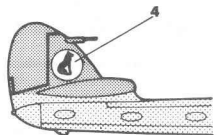
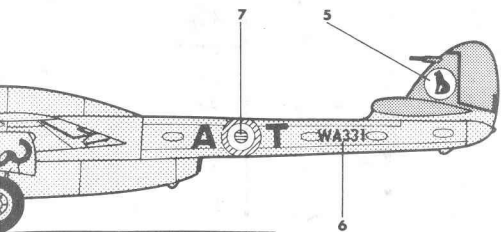
IN CASE OF COMPLAINT

Your Humbrol Plastic Model is carefully moulded and packed. Should you in any way be dissatisfied with the kit, please write to the address below stating the nature of your complaint or the part number(s) and your name, address and telephone number.

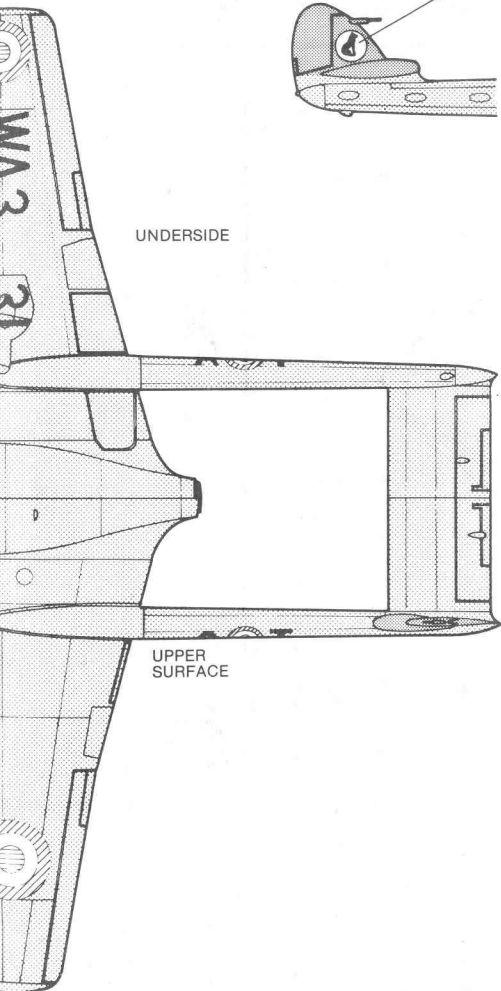
The Sales Department
Model and Hobby Division
Humbrol Limited,
Marfleet, Hull HU9 5N

HUMBROL
HUMBROL CONSUMER PRODUCTS
DIVISION OF BORDEN (U.K.) LTD. MARFLEET

ampire 112th Squadron 2nd TAF



UNDERSIDE



UPPER SURFACE

PAINTING

We recommend the use of Humbrol Britfix Polystyrene Cement or Humbrol Britfix Liquid Poly to assemble your model, and the following Modelling Paints for a perfect finish.
Humbrol Colour Reference Numbers

- 11 Silver Fox
- 14 French Blue
- 33 Matt Black
- 34 Matt White

- 56 Aluminium
- 60 Scarlet
- 78 Cockpit Green
- 90 Beige Green

IN CASE OF COMPLAINT

Your Humbrol Plastic Model kit has been carefully moulded and packed. Should you be in any way dissatisfied with the kit please write to the address below stating the nature of your complaint or the part number(s) required, the kit number, your name, address and post code.

**The Sales Department,
Model and Hobby Division,
Humbrol Limited,
Marfleet, Hull HU9 5NE.**

HUMBROL

HUMBROL CONSUMER PRODUCTS
DIVISION OF BORDEN (U.K.) LTD. MARFLEET, HULL



Model Product Group

HUMBROL

DE HAVILLAND VAMPIRE FB5

KIT No. HK72011

1/72 SCALE

HISTORY

The Vampire was the second British jet aircraft to be mass-produced and the prototype flew on 20 September, 1943. It was supplied to the RAF and to Air Forces of the Commonwealth. It was used by a number of Air Forces of other countries including Switzerland, Venezuela, Lebanon. France bought 67 Vampire Mark V.

SPECIFICATION

Wingspan	11.58m
Length	9.37m
Height	1.87m
Max. speed.....	860 m.p.h.