

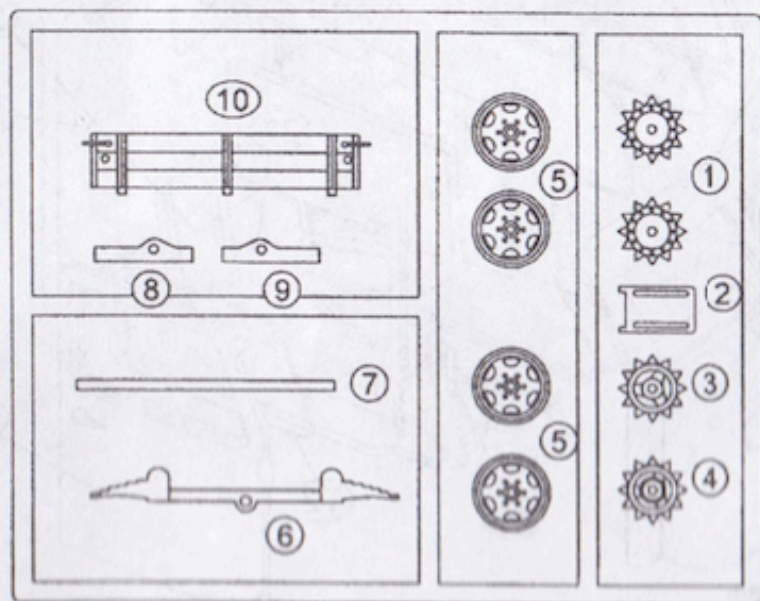
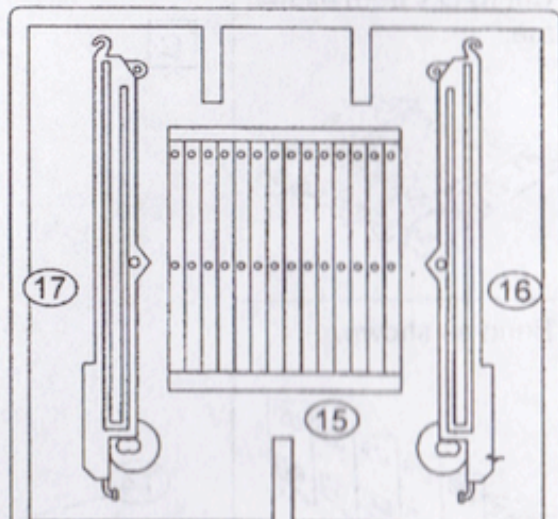
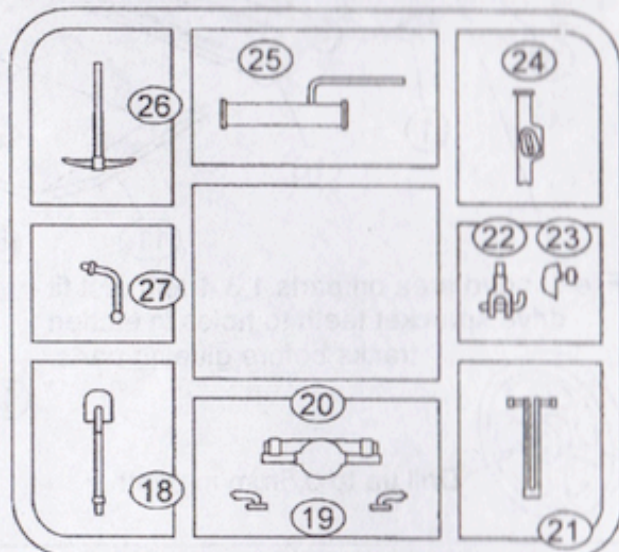
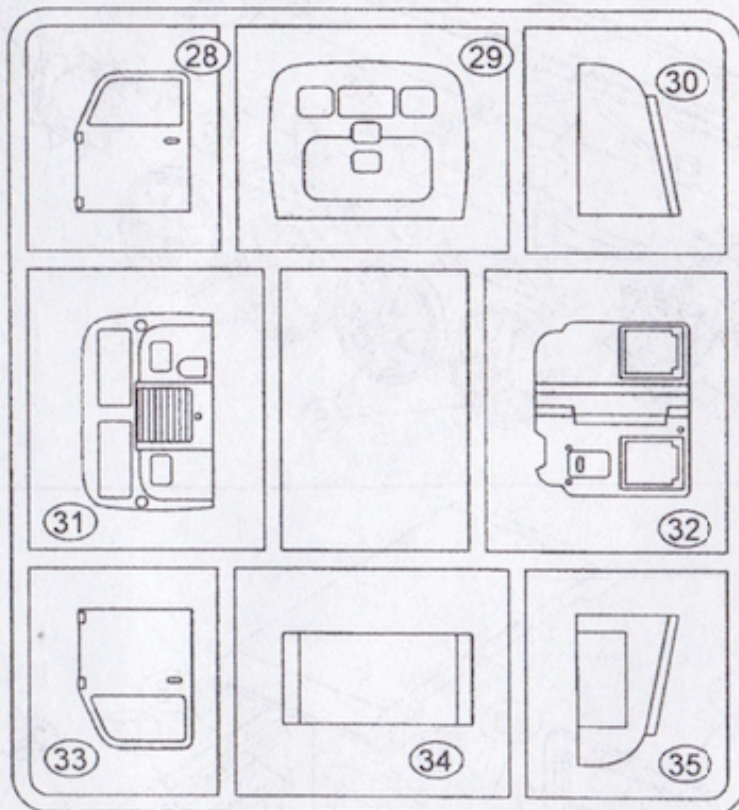
Raupenschlepper OST R50 (type 01)



1/72 scale
Plastic model kit.
cat. #72205



Parts



x2

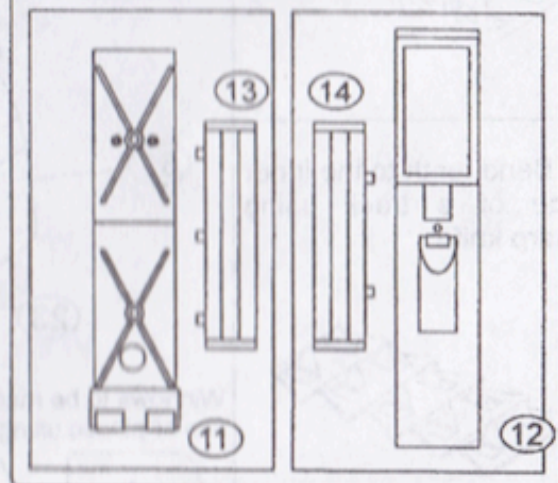
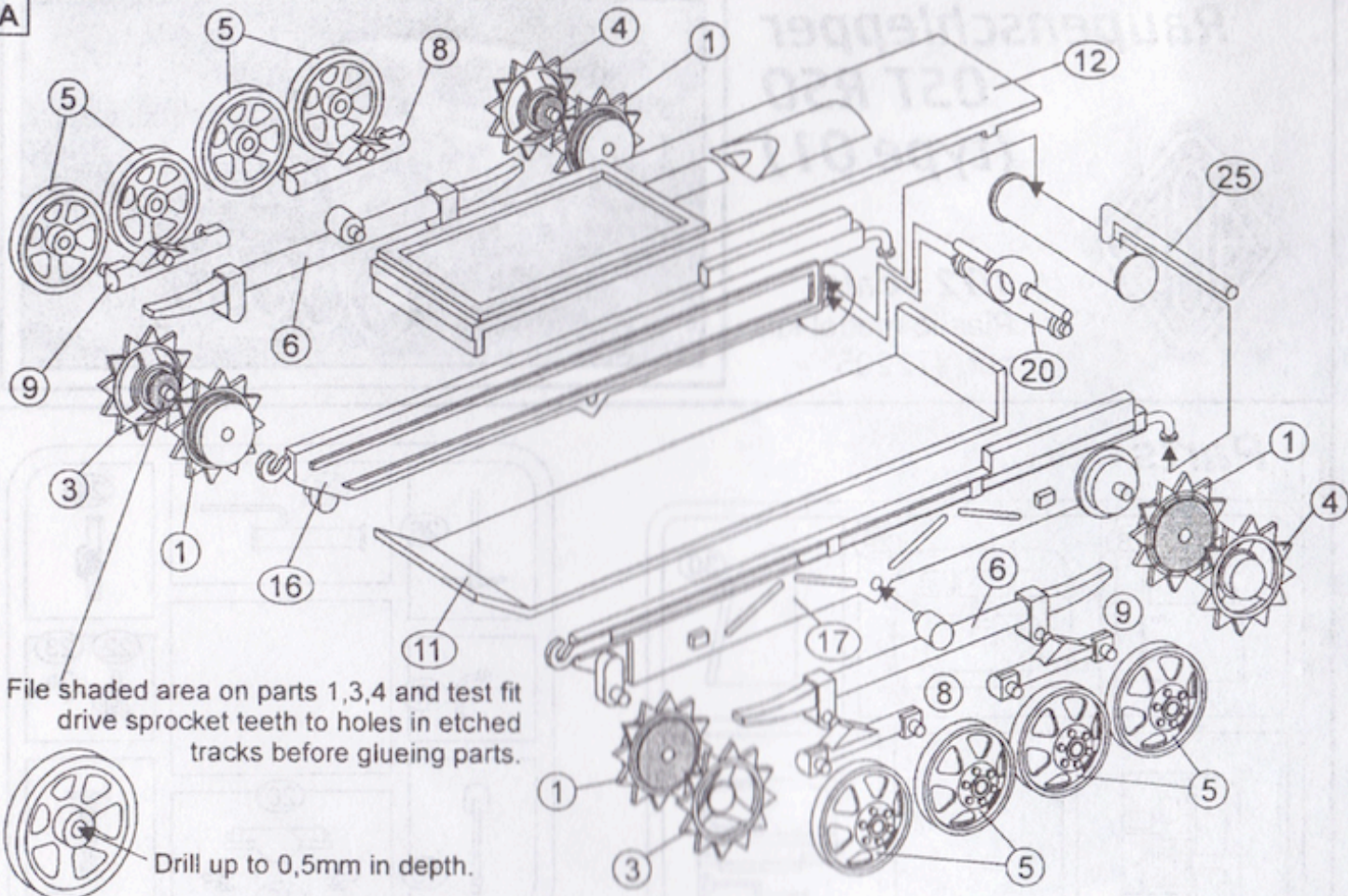
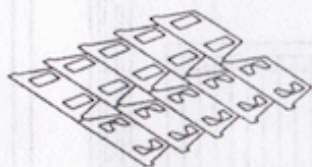


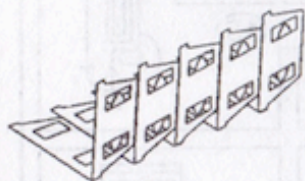
Photo-etched tracks (not shown).

A

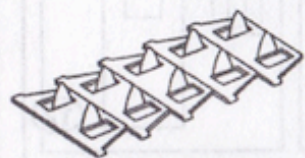
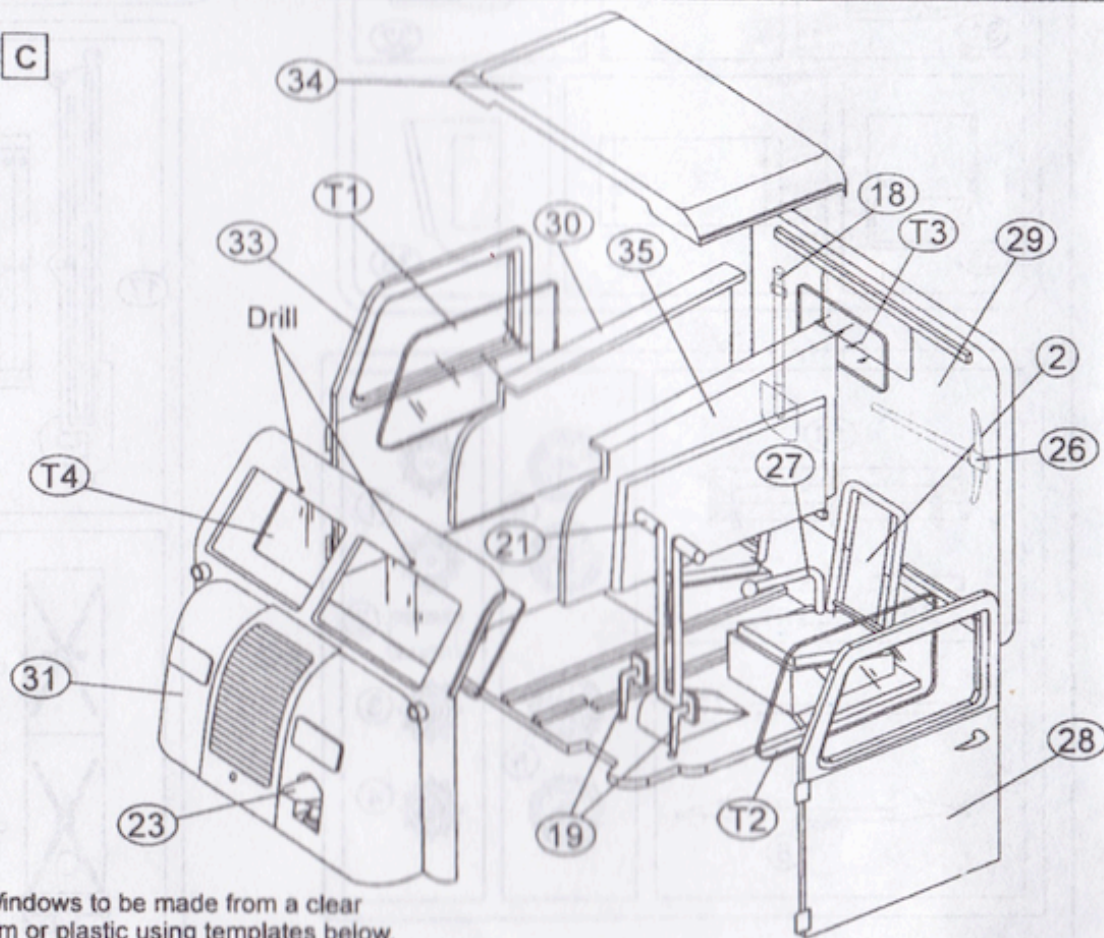
1. Cut tracks from etched sprue.



2. Bend as shown.



3. Bend teeth to the inner side of a track using sharp knife.

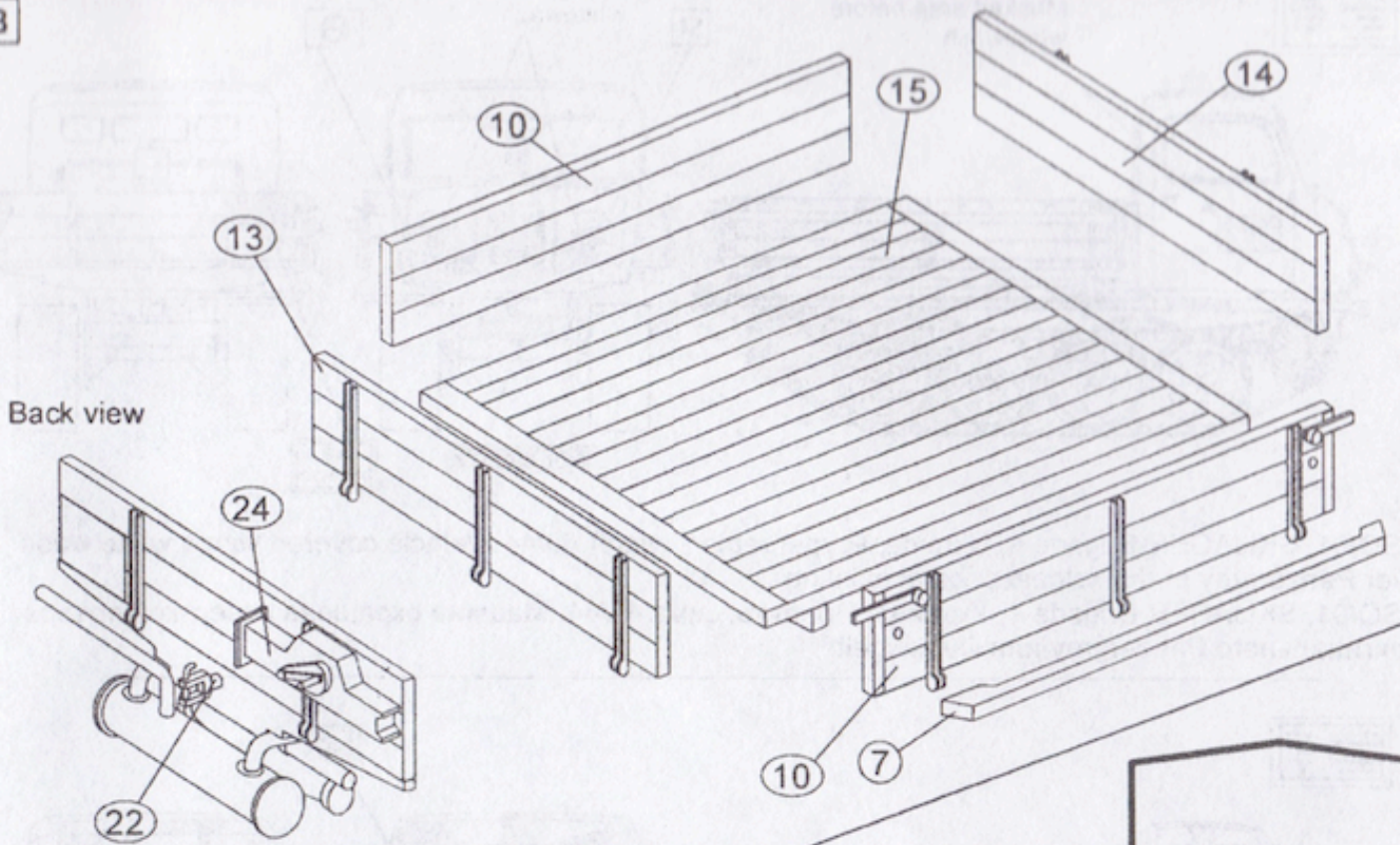
**C**

1

2

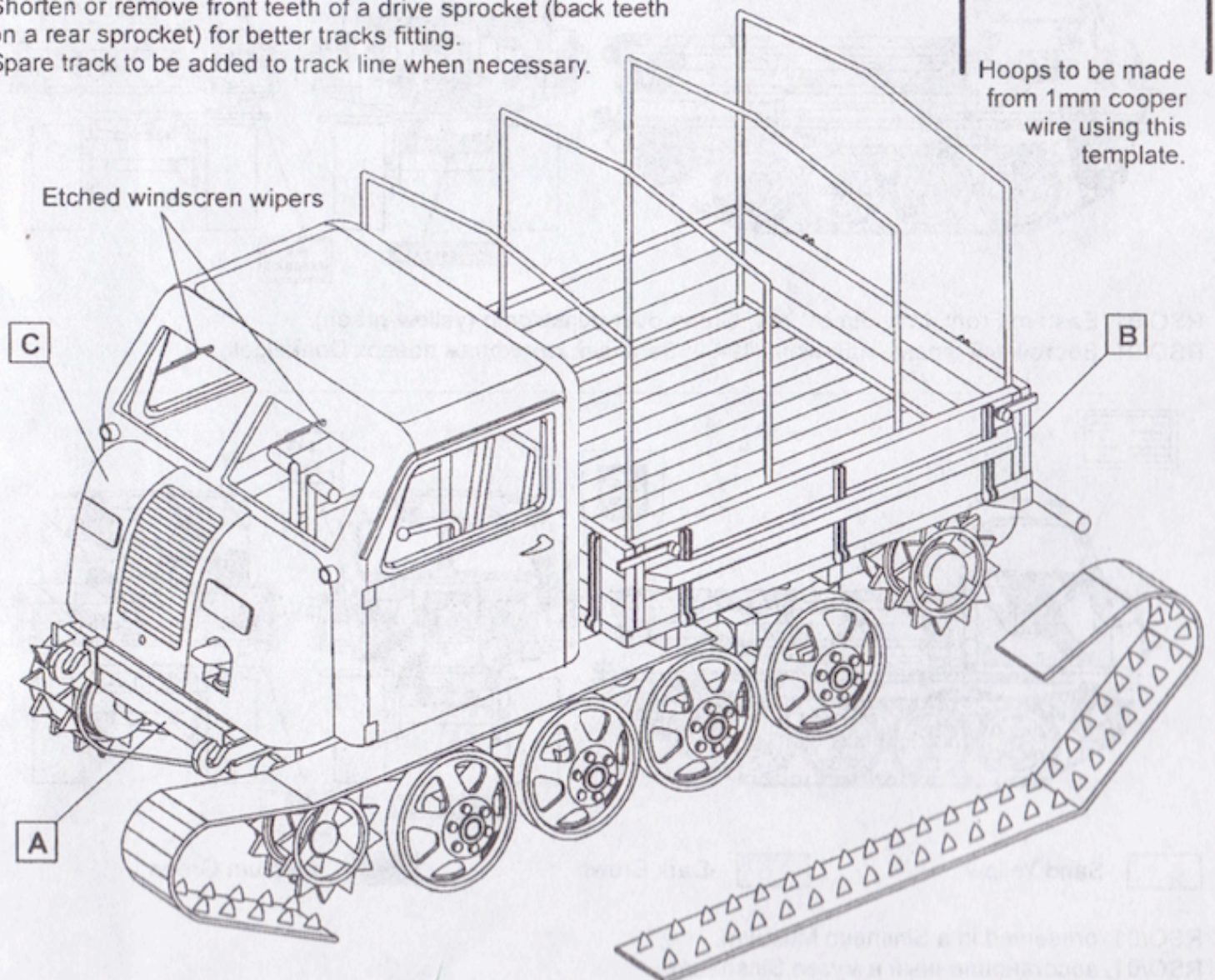
3

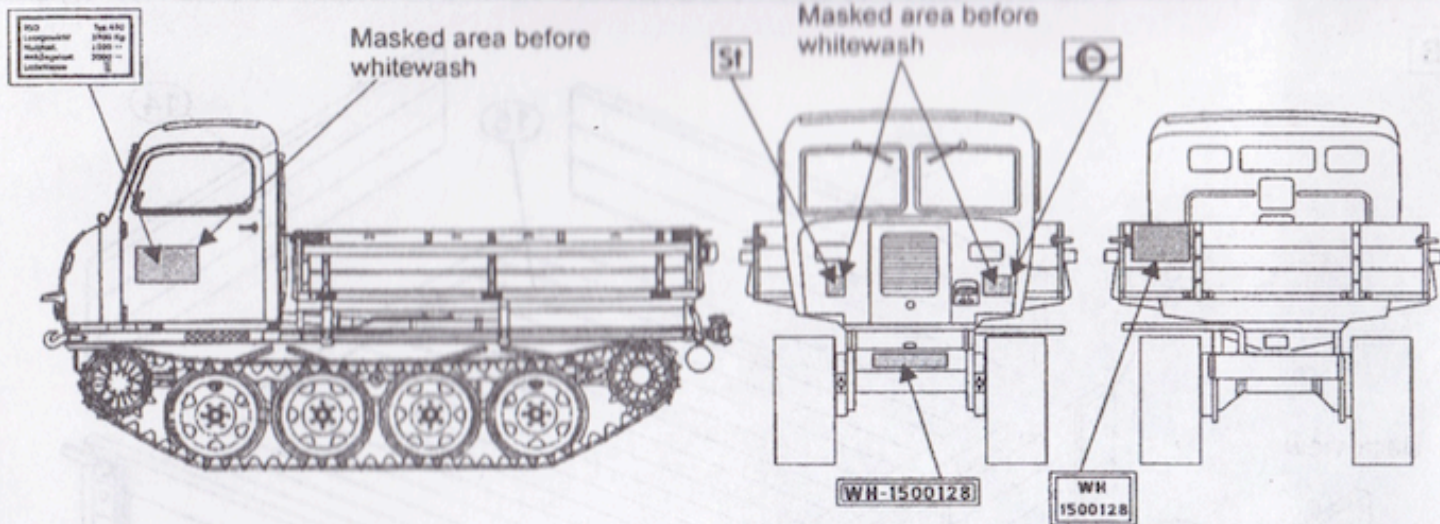
4

B

Shorten or remove front teeth of a drive sprocket (back teeth on a rear sprocket) for better tracks fitting.
Spare track to be added to track line when necessary.

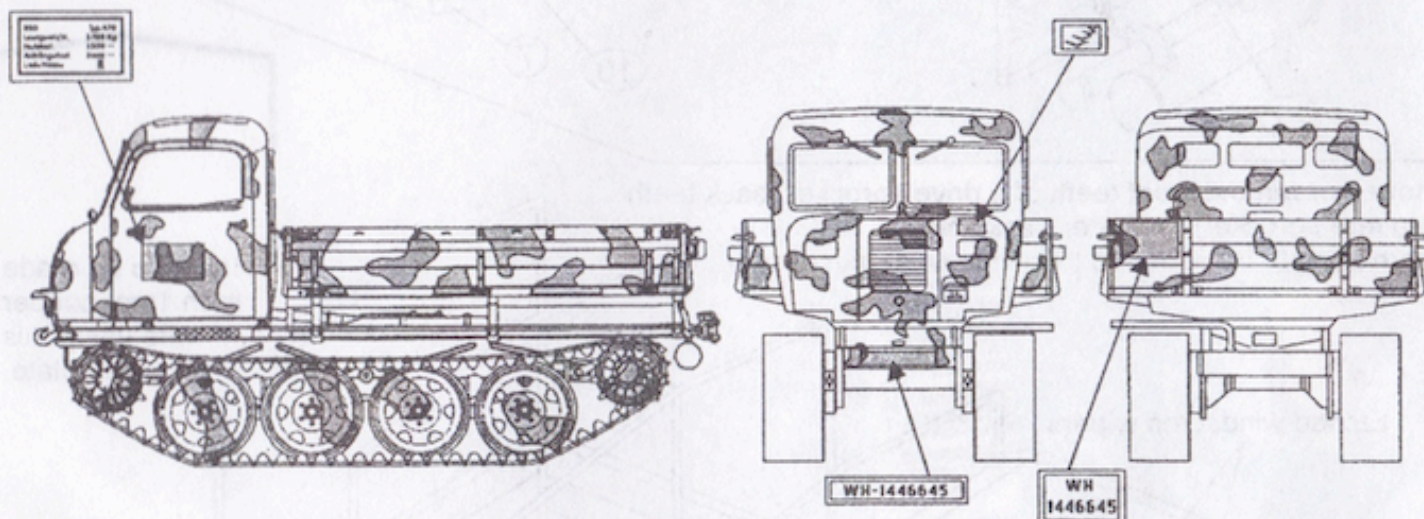
Hoops to be made from 1mm cooper wire using this template.





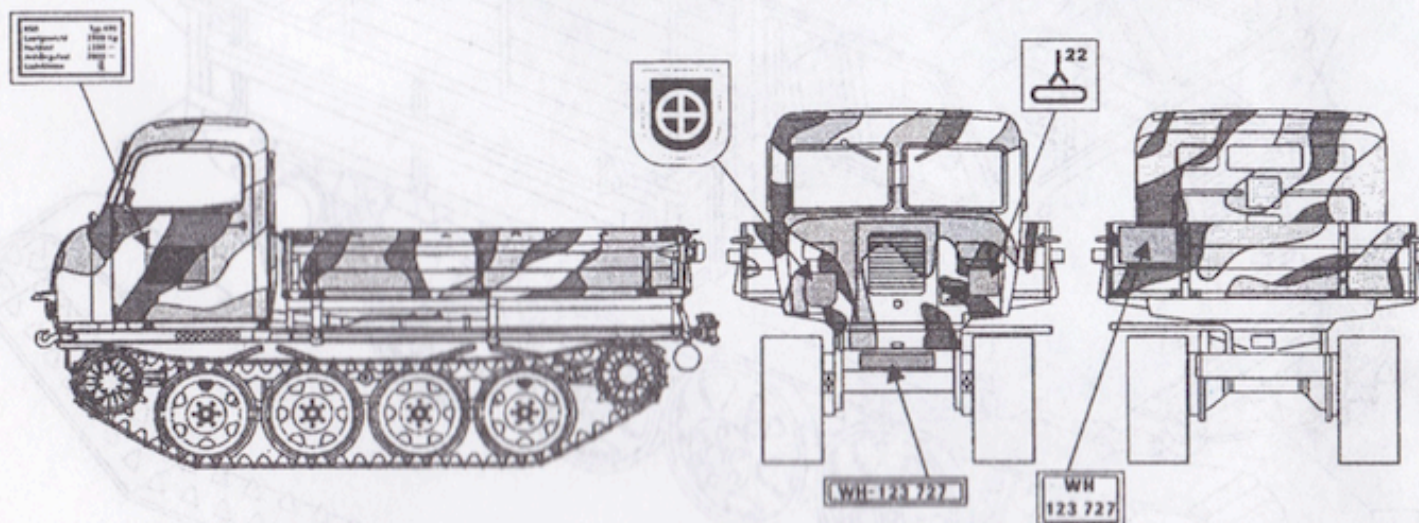
RSO/01, SKIJAGER Brigade 1, Ukraine, Prypet region, winter 43/44. Vehicle covered with a white wash over Panzergrey or dunkelgelb original painting.

RSO/01, SKIJAGER Brigade 1, Украина, Припять, зима 43/44. Машина окрашена извѣсткой поверх оригинального Panzergrey или Dunkelgelb.



RSO/01, Eastern Front, May-June 1944, Green over dunkelgelb (yellow-green).

RSO/01, Восточный фронт, май-июнь 1944г. Зелѣный камуфляж поверх Dunkelgelb.



□ -Sand Yellow

■ -Dark Brown

■ -Medium Green

RSO/01, preserved in a Sinsheim Museum.

RSO/01, восстановленный в музее Sinsheim.