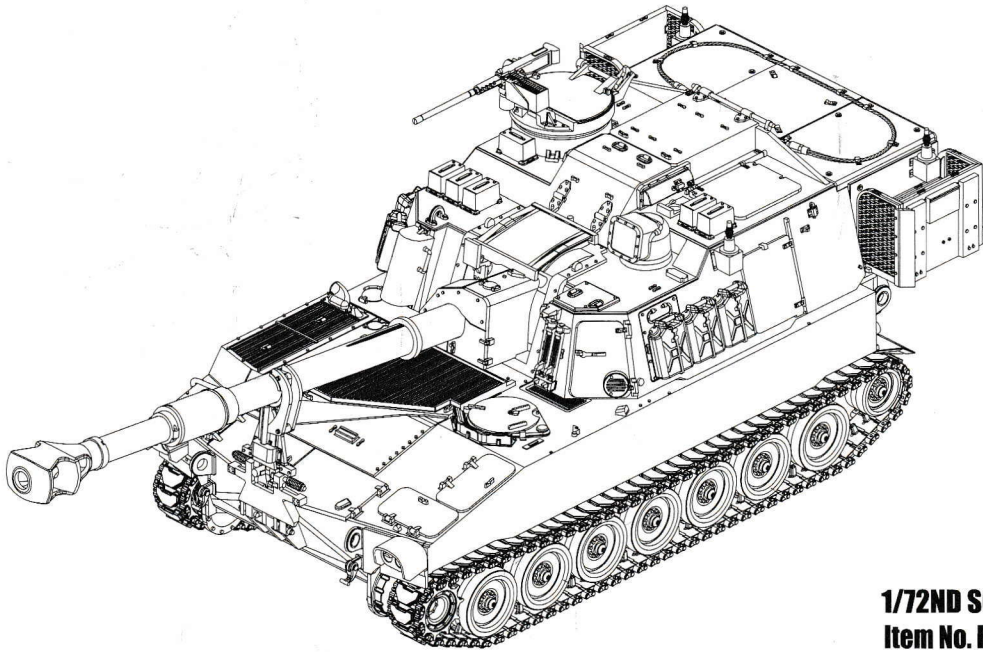




M109A6 Paladin Self-propelled Howitzer



1/72ND SCALE
Item No. RT 72001

CORRECT METHOD FOR APPLYING DECALS:

1. Clean model surface with wet cloth.
2. Cut out of decal sheet and dip them in cold water for 15 seconds.
3. Place decal on proper position on model.
4. Slide off base paper leaving decals on model with wet finger tip.
5. Adjust decals to exact position, push out excess water under decal with soft cotton cloth.

正確貼上水貼紙的方法:

1. 將模型表面擦乾淨。
2. 將貼紙剪下泡入清水中約15秒。
3. 將泡濕之貼紙取出置於欲貼處旁。
4. 用指尖輕推貼紙表面使其滑出底紙。
5. 將貼紙調整至適當位置並輕擦拭水份。

CAUTION

- Make sure to read instruction listed below before assembling
- When assembling the kit, tools including knives are used, extra care should be taken to avoid personal injury.
 - Tear up and throw away the plastic bags containing kit parts as children may suffocate by swallowing or wearing over head.
 - Cut the parts off properly and throw the waste parts into dustbox at once. Keep away from reach of children.
 - Be cautions as follows when using adhesives and/or paints :
Do not use in closed room to avoid poisoning / toxic.
Do not use near fire to avoid flammability.

注意

- 組裝零部件之前務請先閱讀以下所列指示:
- 請額外小心使用包括剪、刀等工具，避免引至個人受傷。
 - 請撕毀和丟棄空袋，避免兒童可能吞下或穿過頭部引至窒息。
 - 請小心處理切割出的零部件並遠離兒童。請把廢物適當地丟棄。
 - 使用粘合劑和油漆時請慎防如下：
避免中毒。不要在密閉房間中使用。
避免火災。不要在近火源處使用。

ICON INSTRUCTION

圖標說明:



Bend
彎曲



Optional
選擇採用



Apply Decal
貼上水貼紙



Weight
配重



Open Hole
鑽孔



x2
2 Sets needed
同樣的制作二組



Remove
切除



Attention
請注意



Do not cement
不用粘合



File/Sand
銼平

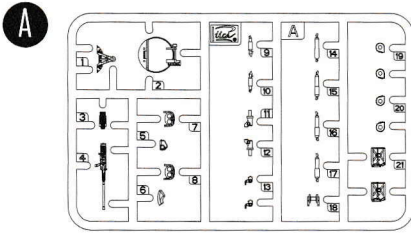


Fill Hole
把孔填平

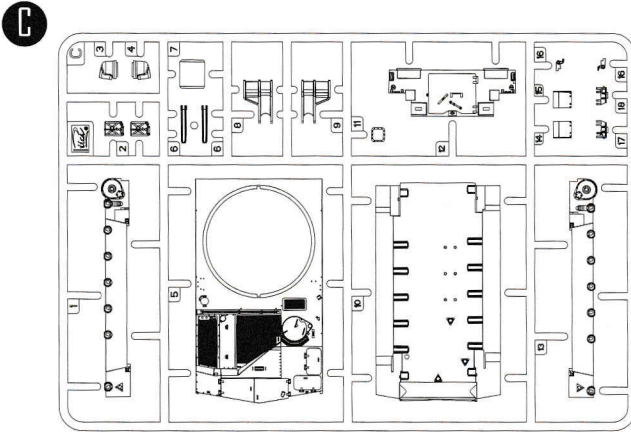
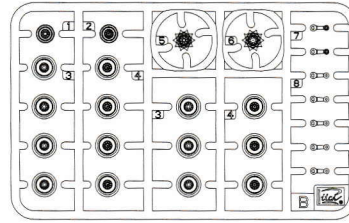


Instant Glue For Metal
瞬間接著劑金屬用

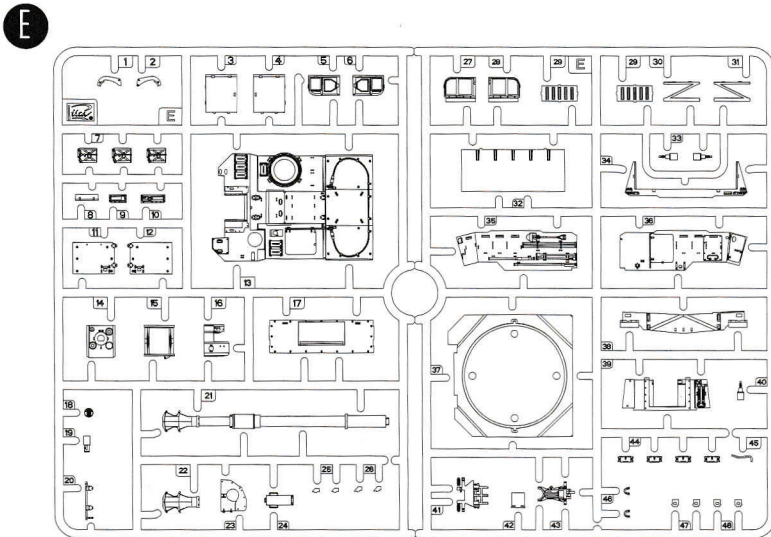
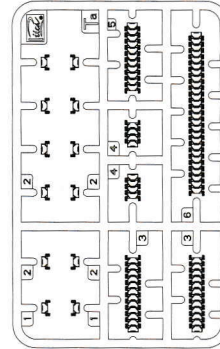
部品圖
Part List



B x2



Ta x2



水貼
Decal



蝕刻片
Photo-etched



不要部件
Parts not for use

售后服务卡限中国大陆 AFTER MARKET SERVICE CARD OF MAINLAND CHINA

部品名称	单价 (RMB)
A版零件	8
B版零件	8
C版零件	10
E版零件	20
Ta版零件	8
Decal水貼	5
PE蚀刻片	5
以下空白	



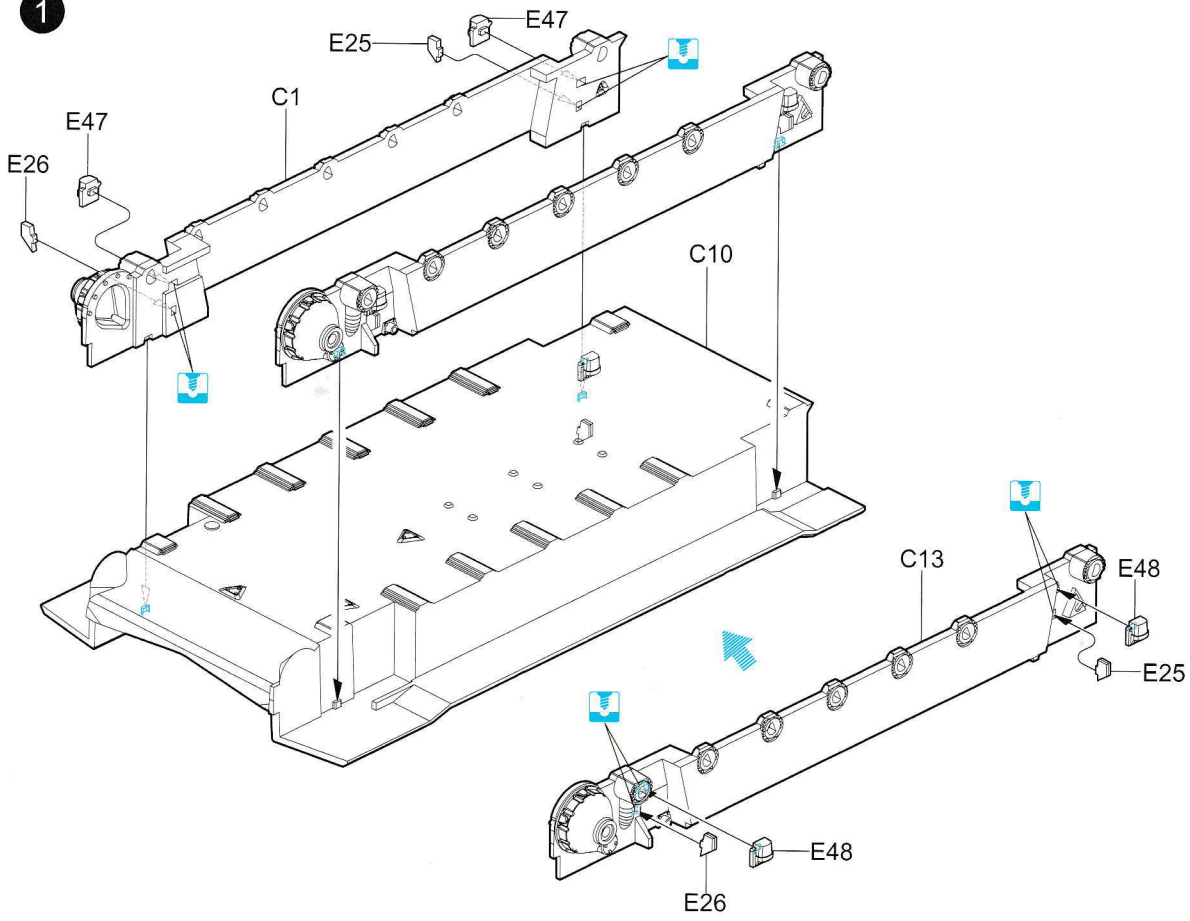
RT 72001
零件补充申请表

本表价格仅作为您补件的参考
如果原包装中零件遗失或者损坏，
制作途中遗失或者损坏，您可以
登陆Riich.Models官方网店，客
服部将尽快为您处理。

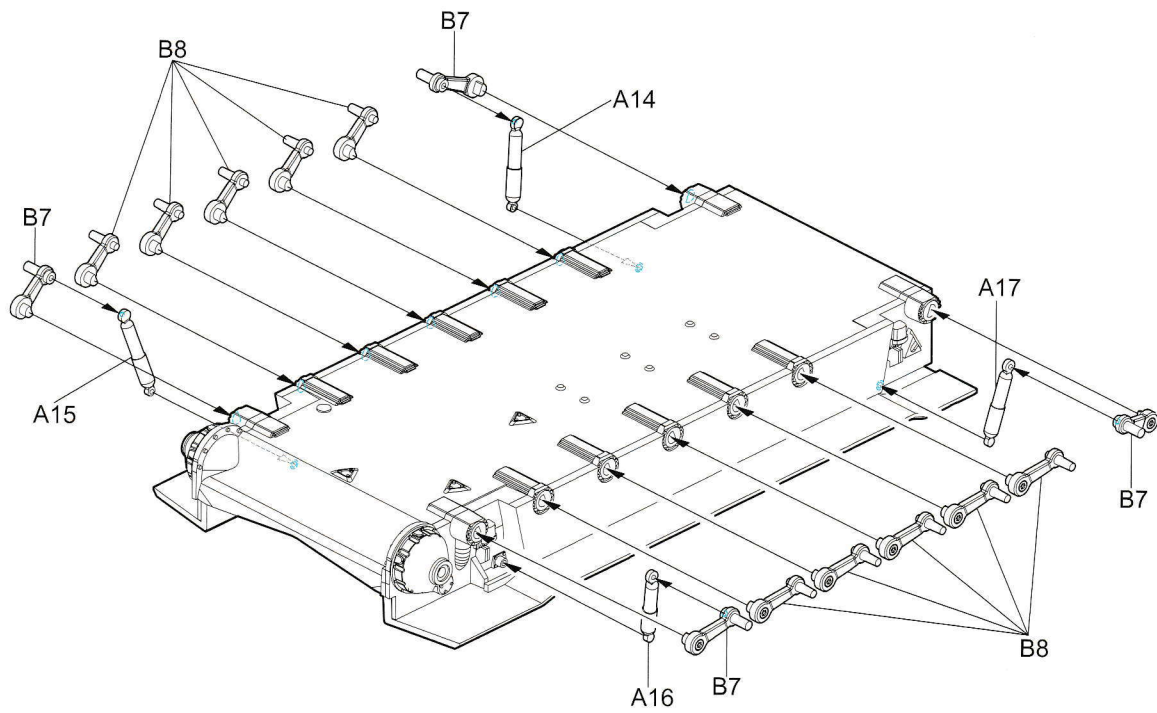
Copyright@2017

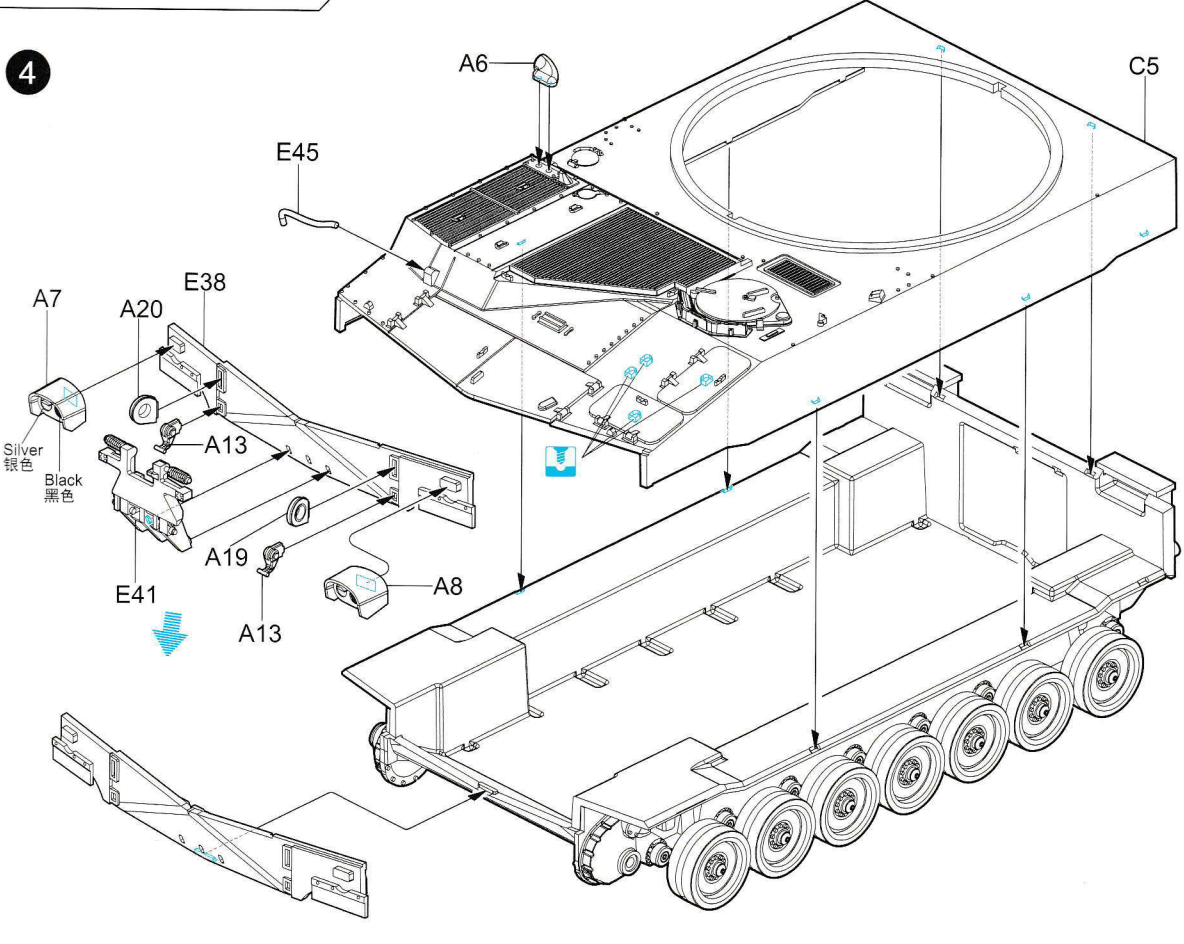
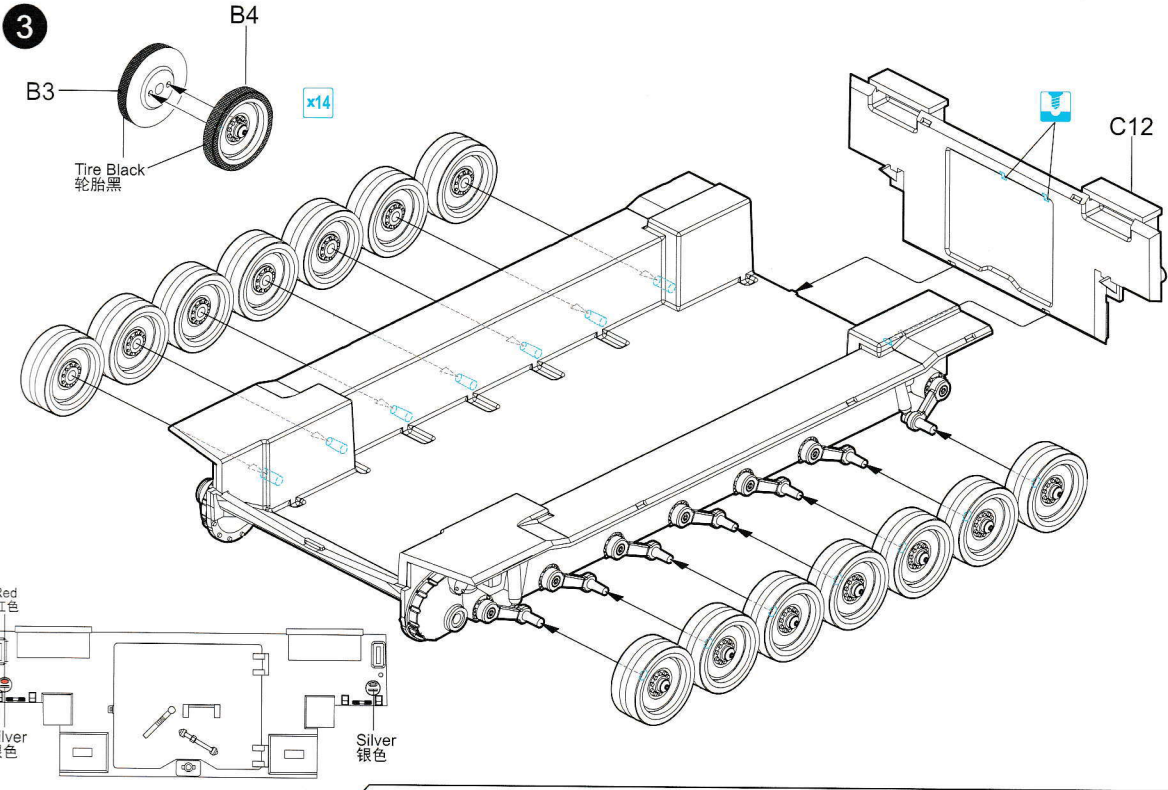
* All Right Reserved by Riich. Models

1



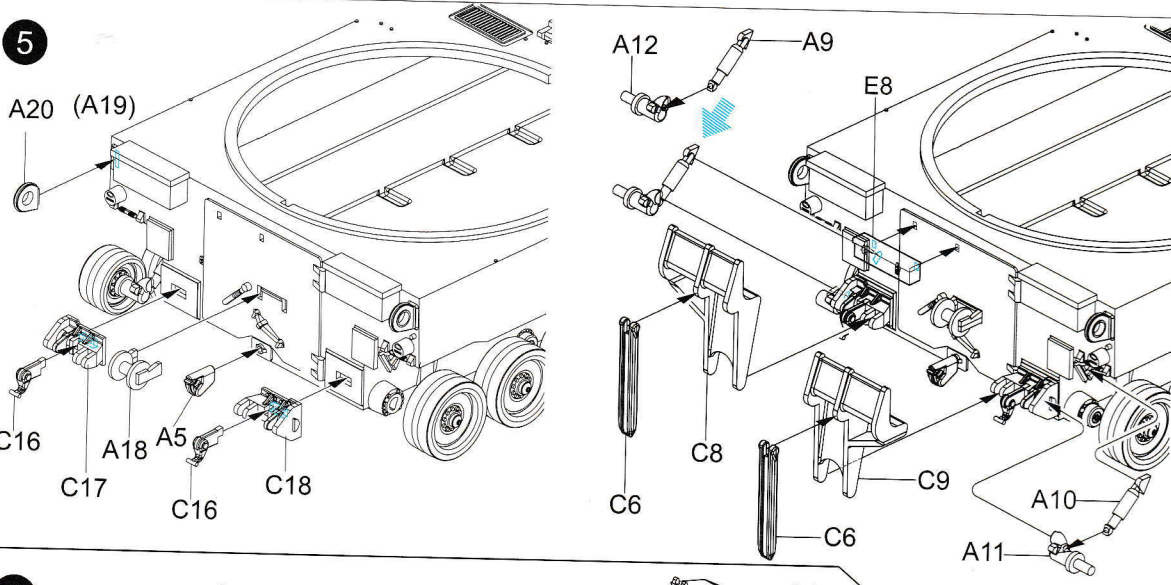
2





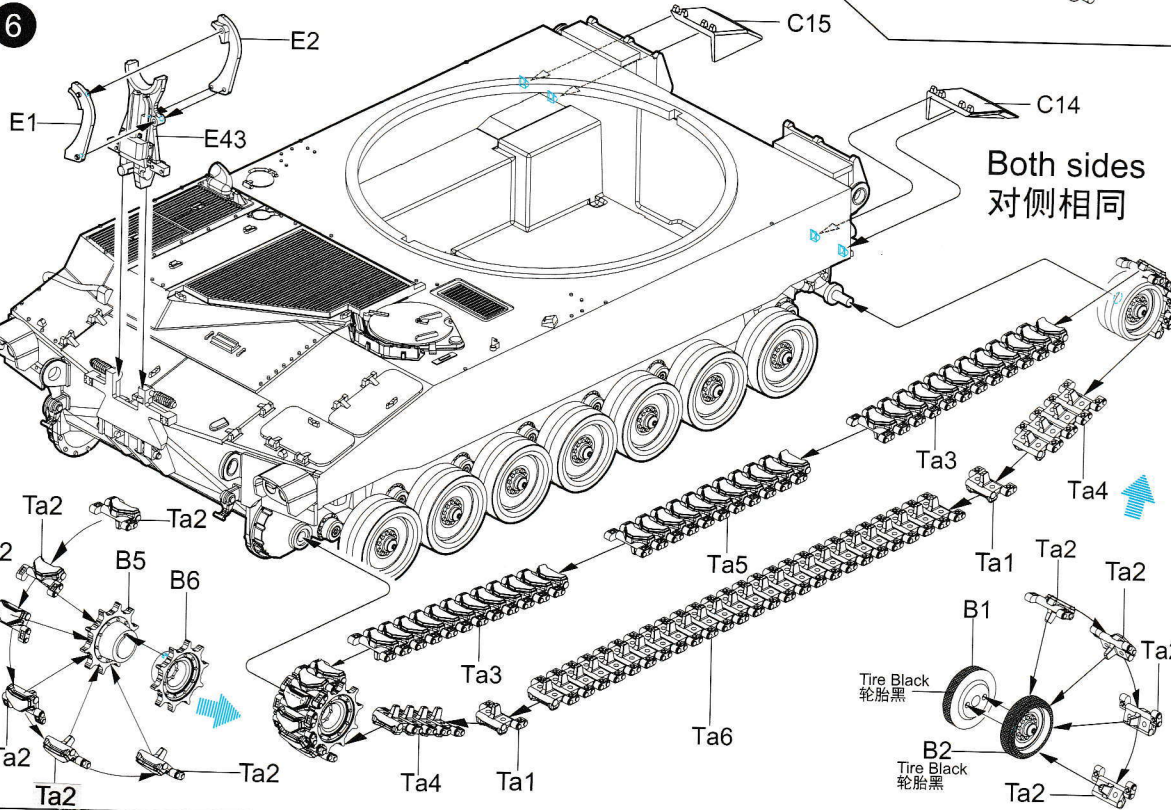
5

A20 (A19)



6

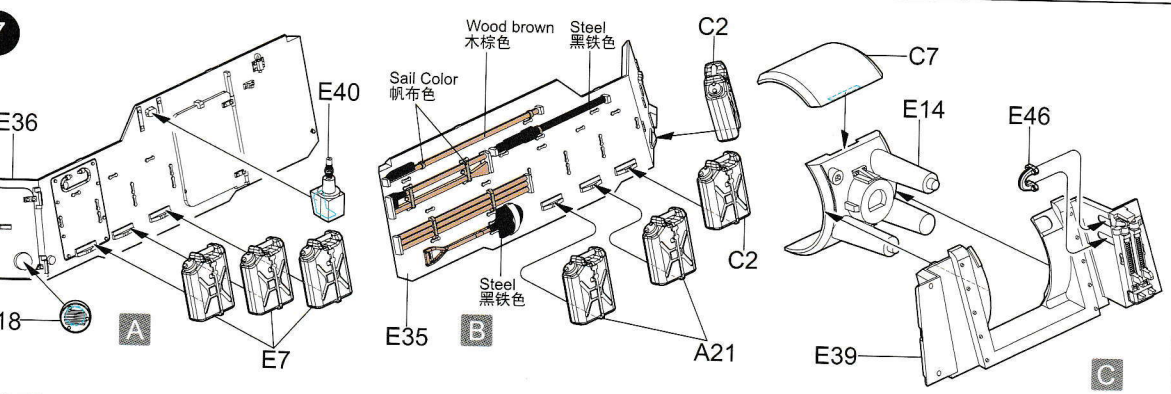
E1



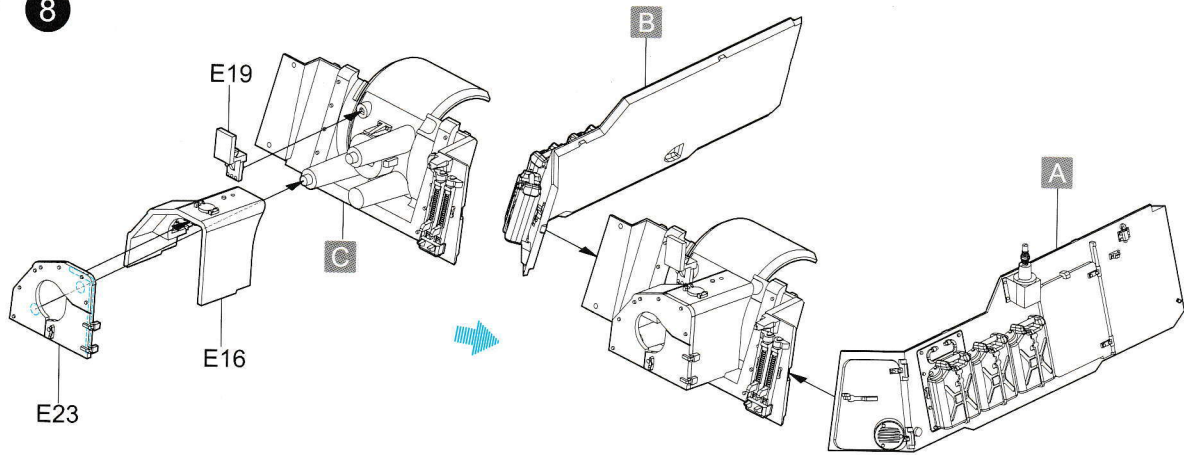
Both sides
对侧相同

7

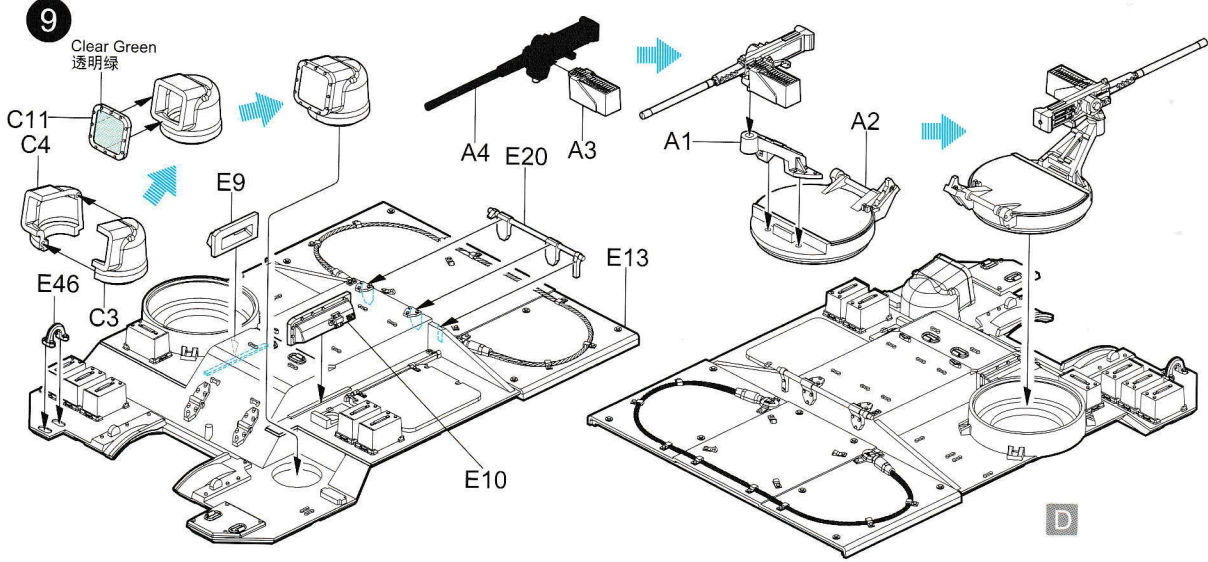
E36



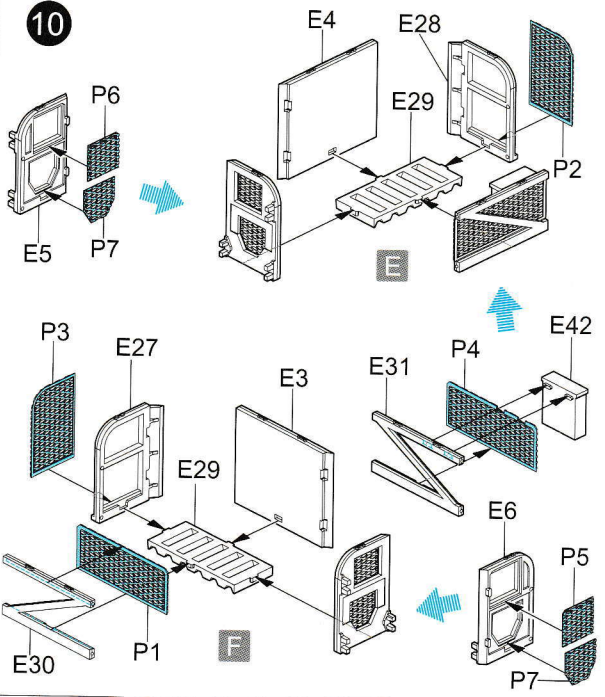
8



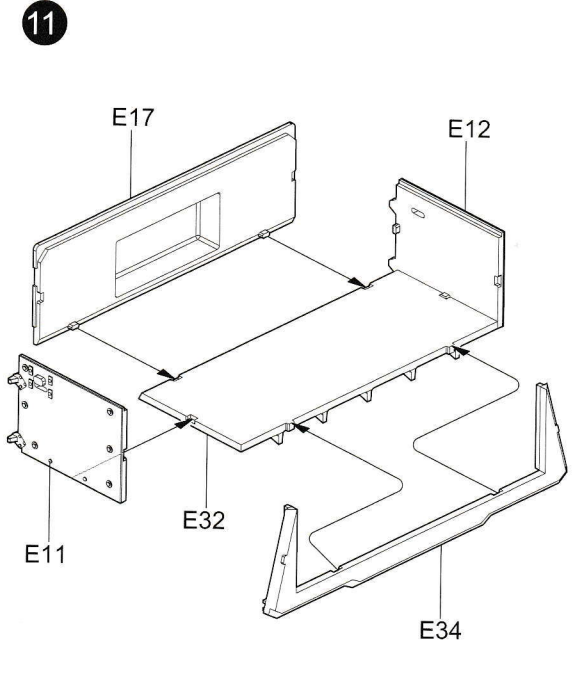
9



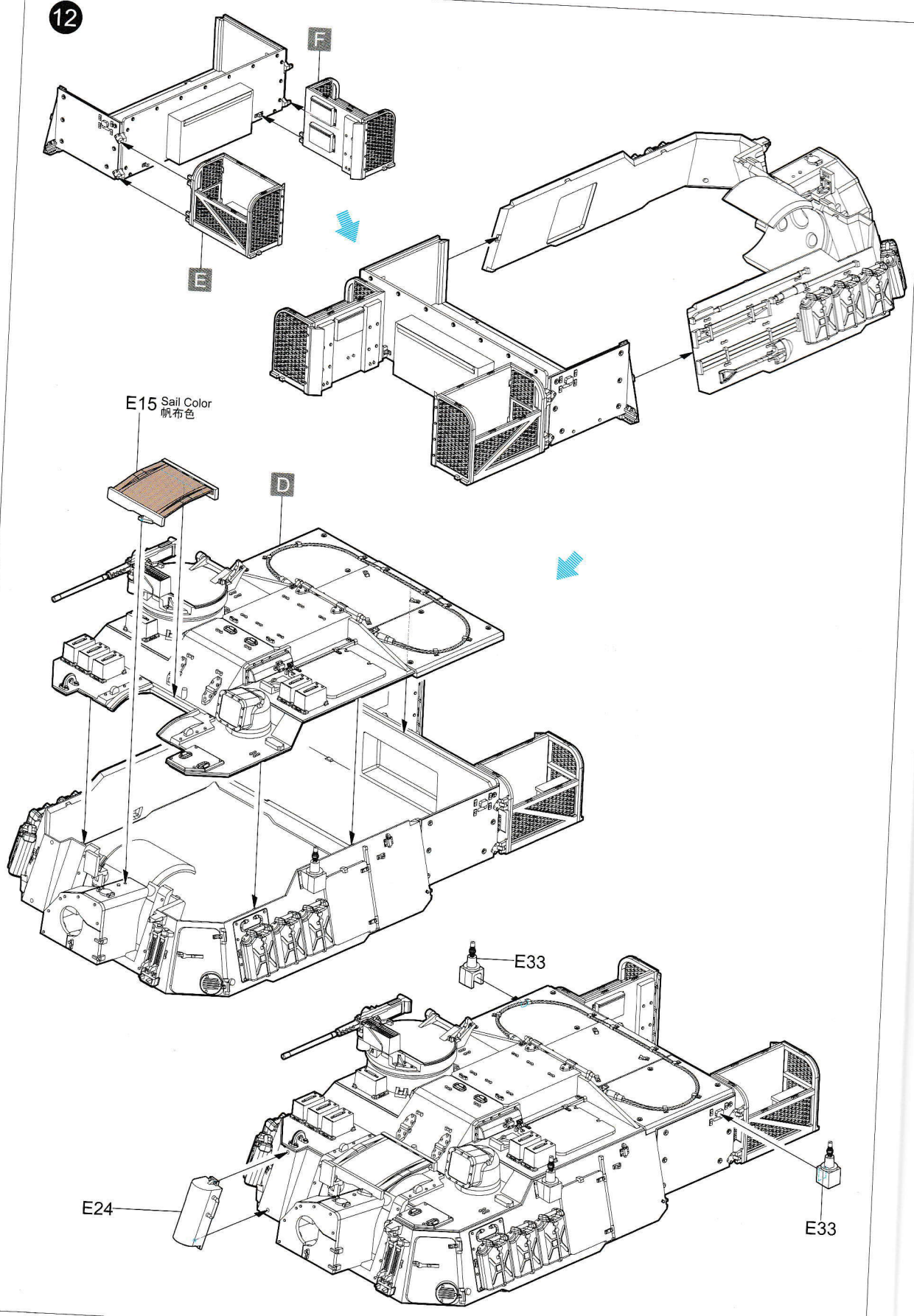
10



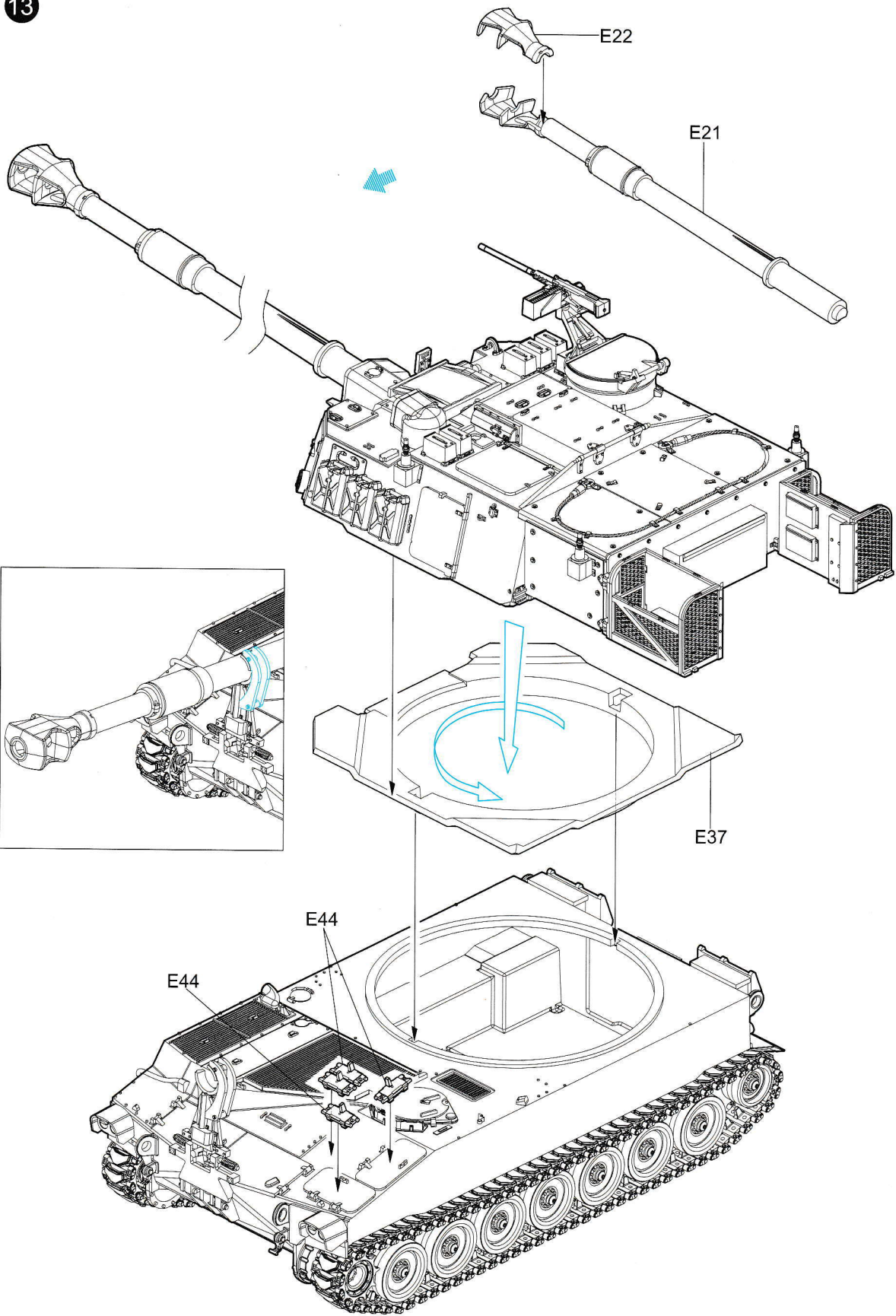
11

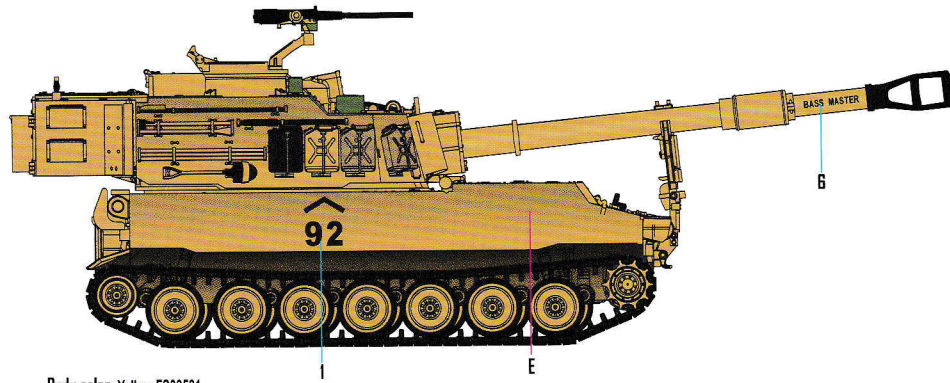


12

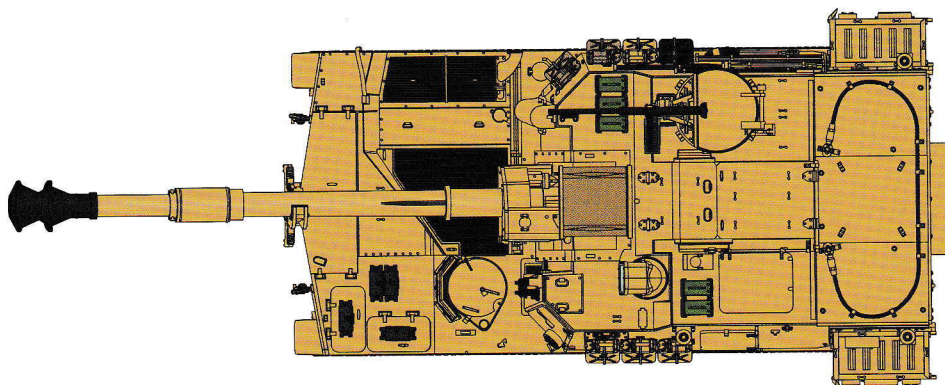
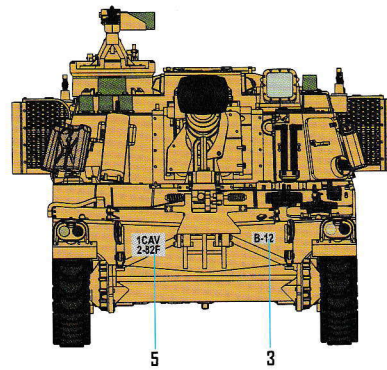
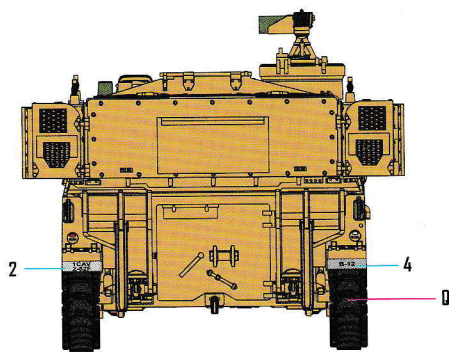
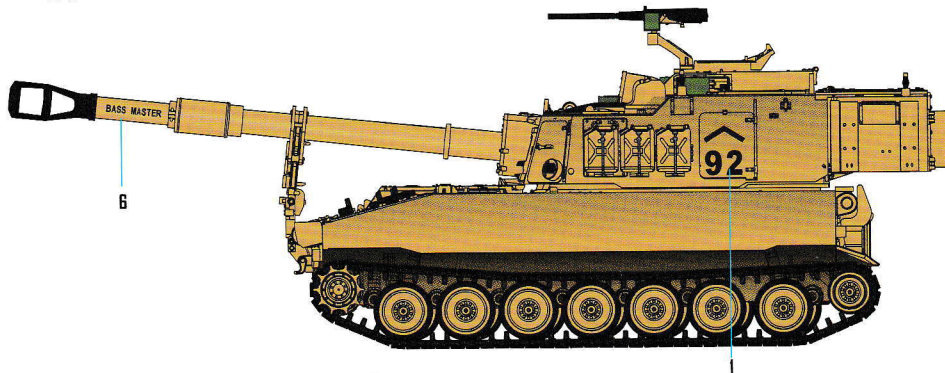


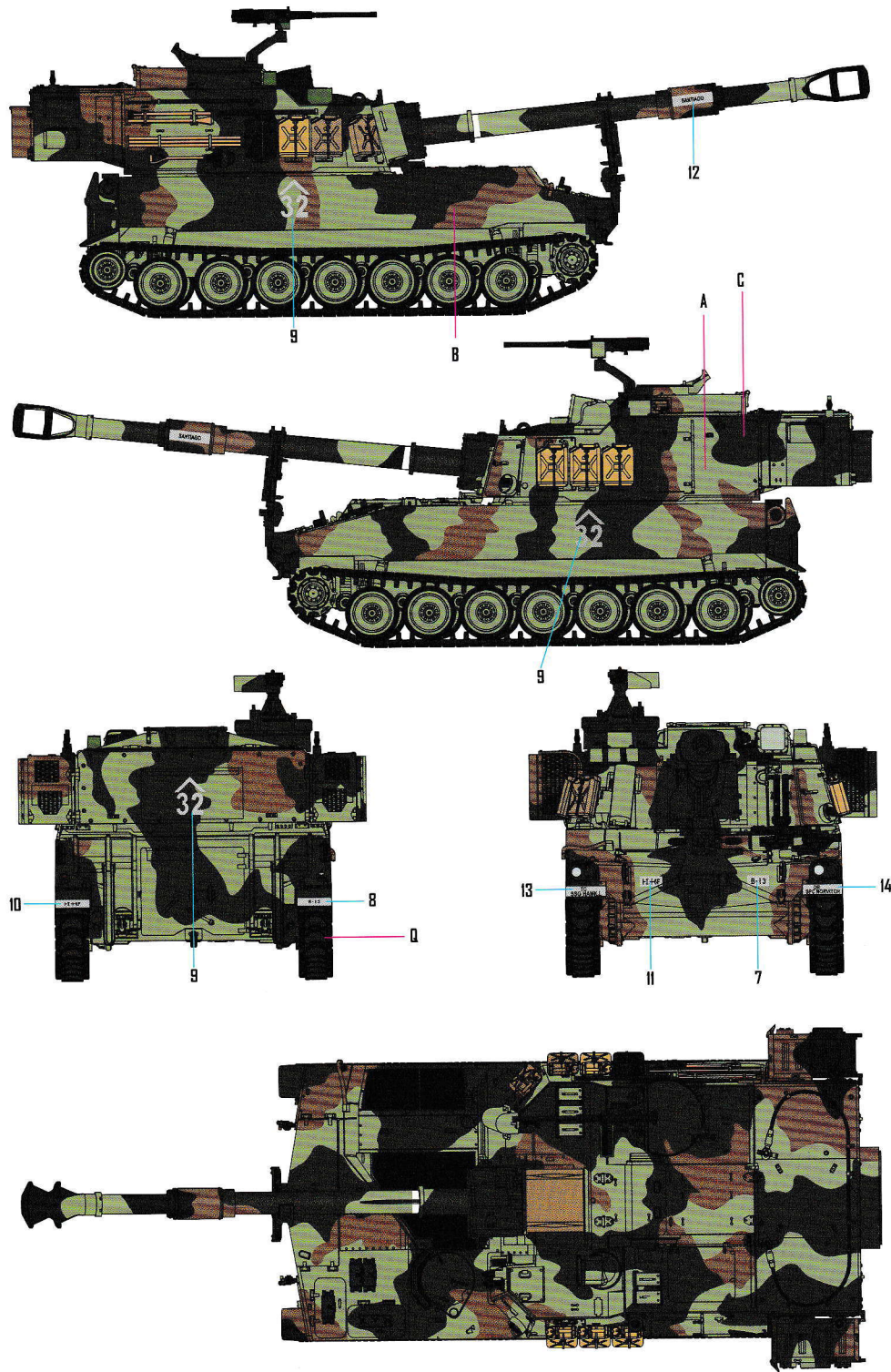
13





Body color: Yellow FS33531
车体色





Colour	涂料表	Mr. Hobby	Vallejo	Colour	涂料表	Mr. Hobby	Vallejo	Colour	涂料表	Mr. Hobby	Vallejo
A	Nato Green 北约绿	TC10	967	G	RLM79 Sandy Brown 黄褐	H 66 19	981	N	Red 红色	H 3 3	829
B	Nato Brown 北约棕	TC11	801	H	Black 黑色	H 2 2	950	O	Sail Color 帆布色	H 85 45	913
C	Nato Black 北约黑	TC12	862	J	Brass 铜色	H 9 9	801	P	Silver 银色	H 8 8	997
D	Olive Drab 橄榄绿	H 62 12	893	K	Clear Green 透明绿	H 94 138	936	Q	Steel 黑铁色	H 18 28	864
E	Yellow FS33531 黄色	H 813 813	847	L	Flat Black 哑光黑	H 12 33	861	R	Tire Black 轮胎黑	H 77 137	862
F	Green FS34227 绿	H 612 612	827	M	Flat White 哑光白	H 11 62	842	S	Wood Brown 木棕色	H 37 43	877

*Some paints may not be available in your country, Please check your local hobby shop for substitute.