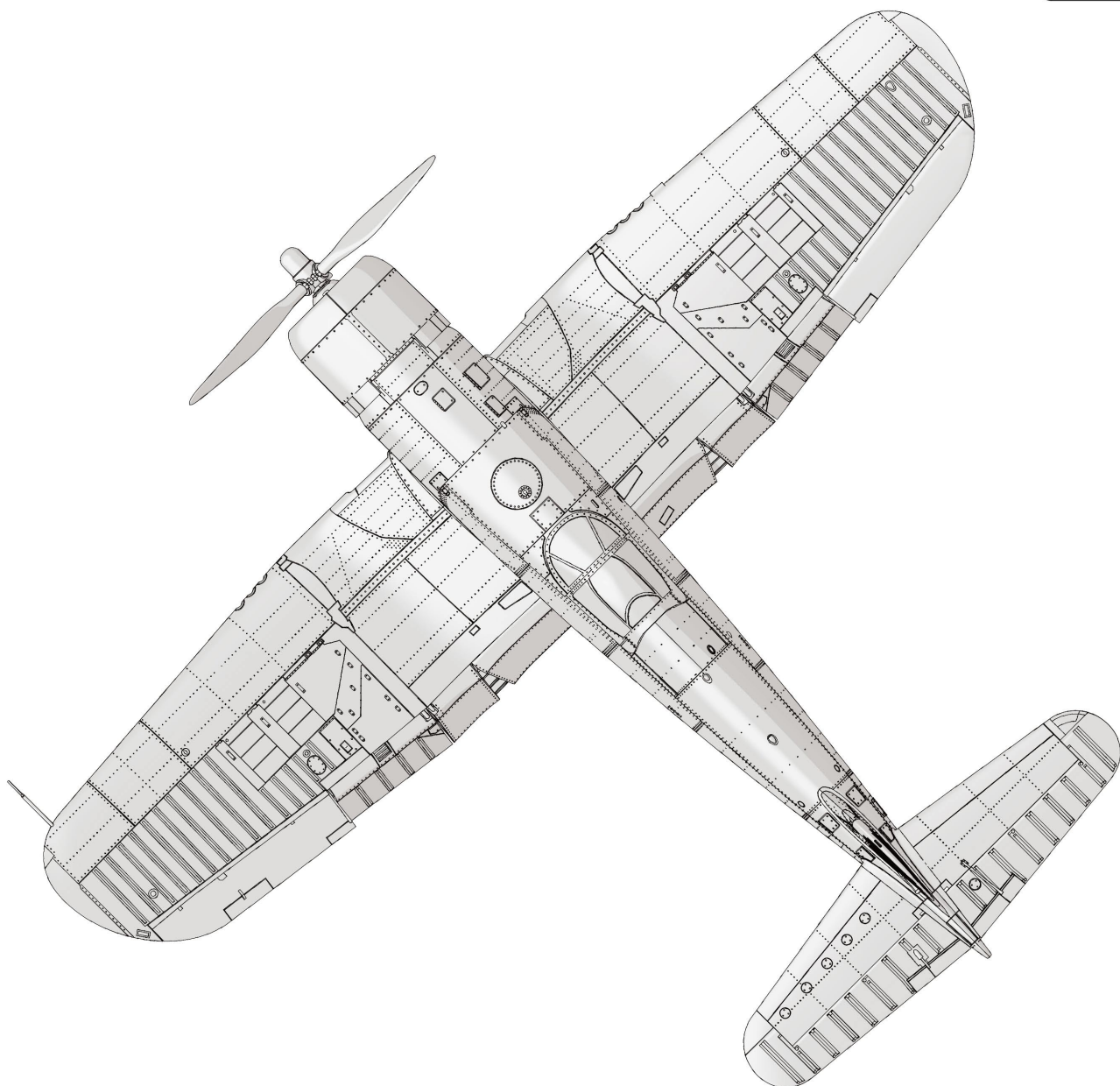


MAGIC
FACTORY

1/48
SCALE



F4U-1A/2 CORSAIR

美 国 舰 载 战 斗 机 F 4 U - 1 A & F 4 U - 2

本套件含一套平直机翼和一套折叠机翼

The kit includes one set of unfolded wings and one set of folded wings

美国舰载战斗机FU4-1A&F4U-2 F4U-1A/2 CORSAIR

1938年2月1日，美国海军办公室向沃特公司的母公司“美国航空制造公司”发出了高性能舰载战斗机的研发要求和技术指标。为此，沃特公司成立了一个专门的小组，产品的设计代号V-166。

1940年5月1日，以V-166为原型的XF4U-1首飞，平均时速达651.8km/h，美国海军对此很满意，在1941年6月下达了584架的订单。在接下来的11年中，F4U各型共生产了12500架，第一款正式生产型被赋予型号F4U-1。

F4U-1A是F4U-1的改进型号，将飞行员座椅升高了18cm；用带两道框架和飞行员头顶金属板的半气泡型座舱盖取代了F4U-1的“鸟笼”型座舱盖，因此，飞行员除了正前方之外其他方向的视界大大提高，这也是完善“海盗”与航空母舰适配性的重要一步。

此外，F4U-1A还根据F4U-1的实际使用经验取消了整流罩顶部的鱼鳍状散热器；并将F4U-1驾驶舱底部的观察窗换成了金属板。由于升高了飞行员座椅并修改了前风挡框架，F4U-1A所使用的 Mk.8瞄准镜的瞄准光环反射板改为用螺栓固定在前风挡内侧的防弹玻璃上。

“海盗”长长的机头限制了飞行员的前向视野，特别是当机头抬高的起降姿态下这个问题尤为突出。为了改善这个缺陷，从生产序列号50080的F4U-1A开始，尾轮支柱加长了16.5cm，从而改善了飞机起降时飞行员的前向视野。

F4U-1A自1943年11月开始在“堡垒山”号航母上首次投入使用，至1944年底装备了多支海军及海军陆战队战斗机中队。

1941年末，美国海军准备开发夜战型的“海盗”战斗机。然而当时标准的机载雷达重量和体积太大且复杂，无法使用在单发单座战斗机上。小型AIA雷达功能有限，只能满足战斗机在夜间进行一定程度的空中掩护及拦截任务，但在当时的情况下，这是F4U-2唯一比较理想的选择。

夜战型“海盗”的工程设计在1941年12月7日日本偷袭珍珠港当天完成，后由一架F4U-1量产型改装成夜战原型机XF4U-2并进行了相关试飞。

太平洋战争爆发后，美国战斗机的生产要求变得非常紧迫，沃特公司没有条件再为夜间战斗机设立单独的改装装配线。于是，沃特公司与位于费城的海军飞机制造厂进行了协调，由后者负责F4U-2的改装工作。共有34架F4U-1被改装为F4U-2，其中32架由海军飞机制造厂完成改装，2架由部署于夸贾林环礁里约热内卢岛的海军陆战队第532夜间战斗机中队在战场上完成改装，这2架也是仅有的由F4U-1改装而来的F4U-2。

F4U-2装备的小型AIA雷达系统由麻省理工学院研发，可搜索6km距离内的敌机。AIA天线位于右机翼前端，靠近翼尖位置，为了平衡左右翼重量，右翼外侧的一挺机枪及弹药被拆除。机头排气管加装消音器。在驾驶舱仪表盘上装有一块小尺寸的圆形瞄准显示器，该显示器可显示两个光点：第一个光点表示目标的方向和距离，第二个光点通过与第一个光点的相对位置来表示本机与目标的相对高度。此外，F4U-2还装备了无线电高度仪、雷达信标应答器和自动驾驶仪，改进了照明系统，并将高频无线电台换成了甚高频无线电台。

陆战队第532夜间战斗机中队、海军第75中队和第101夜间战斗机中队装备过F4U-2夜间战斗机。其中第75中队的休·D·奥尼尔海军上尉于1943年11月1日晚在肖特兰群岛东南上空首开纪录，击落一架三菱G4M一式陆上攻击机。

In February 1938 the U.S. Navy Bureau of Aeronautics published requests calling for high-performance carrier-based fighters. The Vought of United States Aircraft established a special team on developing the fighters for the call with a designation called V-166.

The prototype XF4U-1 (factory designation V-166) firstly tested on May 1 1940 with an average speed reached 651.8km/h. The US Navy was very satisfied with the results and placed the first order of 584 fighters. In the following 11 years, there were totally 12500 F4U variants produced. The first production model was designated F4U-1.

F4U-1A was an upgraded variant of F4U-1. The most notable distinctions of it from F4U-1 includes lifting the pilot's seat by 18cm, replacing the -1's "birdcage" framed canopy with a semi-bubble canopy, retaining only two frames on either side and a distinctive metal hood over the pilot's head. Thus the pilot's overall visibility was greatly increased. These were important steps to modify F4U-1 to a qualified carrier-borne fighter.

Furthermore, based on actual performing experience of F4U-1, F4U-1A was also removed top cowl flaps of cowling and replaced the open window in the floor of the cockpit with a metal plate. Since the pilot seat was lifted and the front windshield frame was modified, the reflector of Mk.8 gunsight was changed to be fixed on the bulletproof glass inside the front windshield with bolts.

The long nose of Corsair limited pilot's visibility forward, especially when the nose was raised for takeoff and landing. In order to improve this defect, starting from the production of F4U-1A (BuNo.50080), the tail wheel strut was extended by 16.5cm to raise the tail, thereby improving the pilot's forward view during takeoff and landing.

The F4U-1A went aboard the USS Bunker Hill firstly in November 1943 and more were deployed to several Navy and Marine Corps squadrons till end of 1944.

US Navy started to develop a night-fighter Corsair at the end of 1941. However the standard airborne radar was too heavy and complex to be equipped on a single-engine and single-seat fighter. Although a small AIA radar had limited functions and could only carry out intercepts and cover tasks at night to certain extent, it was the only ideal option for F4U-2 at the time.

The development of a night-fighter Corsair was finished on Dec. 7 1941, the date of Japanese surprise attack on Pearl Harbor. The first prototype, designated XF4U-2, was modified based on a F4U-1 of mass production and took its test flies later.

After the outbreak of the Pacific War, the production requirements of US fighters became very urgent, but Vought was not able to establish an assembly line for night fighters alone. So Vought negotiated with the Naval Aircraft Factory at Philadelphia to accomplish the modification of the F4U-2. A total of 34 F4U-1 were converted to F4U-2, of which 32 were converted by the Naval Aircraft Factory, and the rest 2 were converted locally by the Marine Night Fighter Squadron 532 (VMF(N)-532) of the Marine Corps deployed on Rio de Janeiro Island, Kwajalein Atoll. These two were also the only F4U-2 converted from F4U-1A.

The small AIA radar system equipped with the F4U-2 was developed by the Massachusetts Institute of Technology and could search for enemy aircraft within a range of 6 kilometers. The AIA antenna was located at the front edge of the starboard wing, near the wing tip. In order to balance the weight of the port and starboard wings, the machine gun and ammunition on the outer side of the starboard wing were removed. The outermost machine gun and ammo were removed from that wing to help balance the additional weight. A flame hider was mounted on exhaust pipe of the nose. There was a small scope on instrument panel of the cockpit, which generated two blips, one giving direction and distance to the target and the other giving the height. Moreover F4U-2 was also equipped with a radio altimeter, a radar beacon transponder and an autopilot, improved lighting system and replaced standard HF radio with very high frequency radio.

The F4U-2 equipped VMF(N)-532, VF(N)-75 and VF(N)-101. The first kill score went to Lt Hugh D O' Neill, Jr. of VF(N)-75 who was credited with shooting down a Japanese Navy Mitsubishi G4M attacker over southeast of the Shortland Islands at the night of Nov.1 1943.

制作前请仔细阅读以下内容

Read carefully before assembly

注意

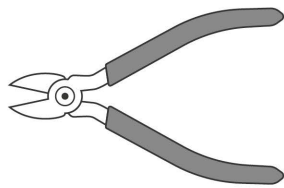
- 本模型适合的最小年龄为15周岁，15周岁以下制作时应当有家长陪同。
- 请勿吞食产品包装中的物品，包括但不限于零件、说明书、包装袋等。
- 将零件取出后应立即丢弃包装袋，请勿将包装袋置于口鼻处或套在头上，以免引起窒息。
- 请勿将本产品置于明火或者高温源附近。

Caution

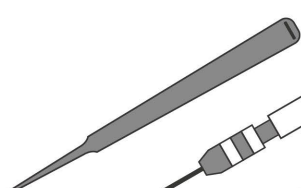
- This model kit is for user aged 15 or above. User under 15 should be accompanied by parents when building this kit.
- Don't swallow any items in the package, including but not limited to parts, stickers, manual and vinyl bags.
- Please throw the vinyl bags away once you unpacked parts. Don't put the bags onto mouth, nose or over the head to avoid suffocation.
- Keep this product away from fire or high temperature source.

使用工具

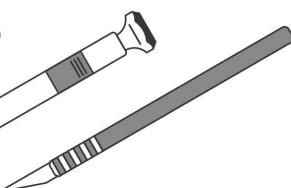
Tools recommended



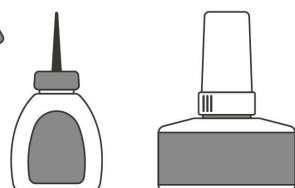
剪钳
Side cutters



镊子
Tweezers



手钻
Pin vise



瞬干胶
Cyanocrylate glue

模型胶水
Cement

图标说明

Icon



优先制作
Assemble first



对称制作
Both sides



选择其一
Choose one



使用贴纸
Apply decal



使用瞬干胶
Apply CA cement



钻孔
Drill hole



切除
Cut

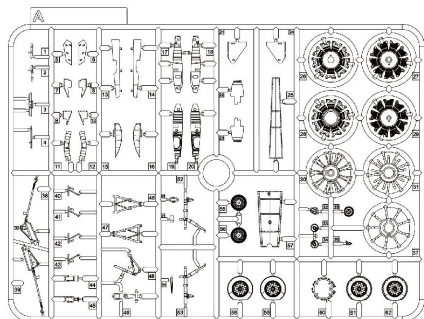


注意
Caution

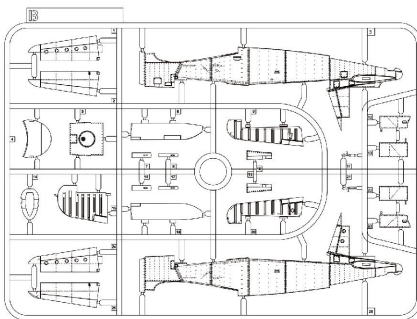


需要上色
Paint

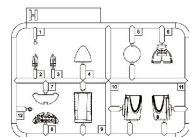
零件图
Parts



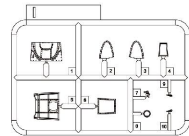
板件A x2
Parts A x2



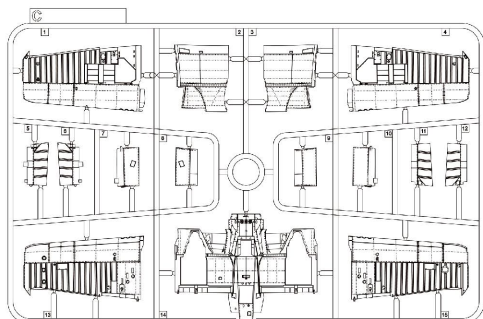
板件B x2
Parts B x2



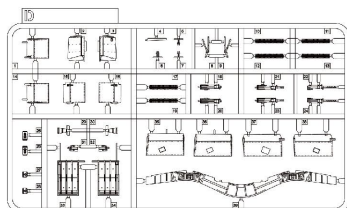
板件H x1
Parts H x1



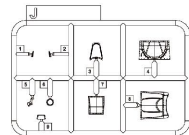
板件I x1
Parts I x1



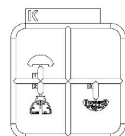
板件C x1
Parts C x1



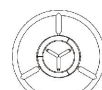
板件D x1
Parts D x1



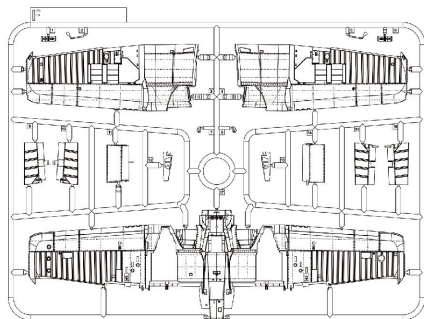
板件J x1
Parts J x1



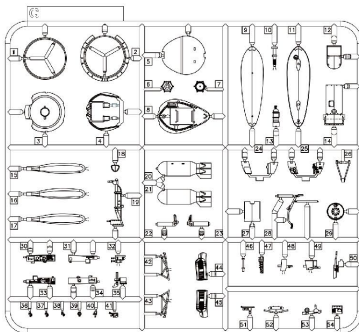
板件K x1
Parts K x1



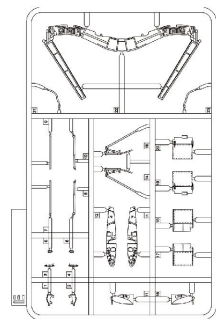
引擎罩 x2
Cowling x2



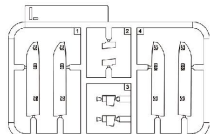
板件F x1
Parts F x1



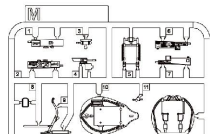
板件G x2
Parts G x2



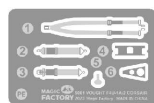
板件E x1
Parts E x1



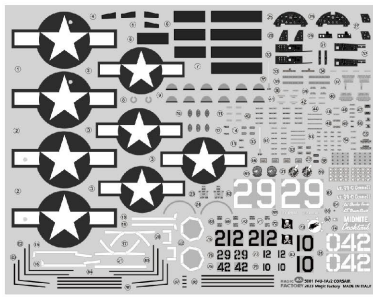
板件L x1
Parts L x1



板件M x1
Parts M x1



蚀刻片 x2
PE x2



水贴 x1
Decal x1



遮盖贴纸A x1
Masking Sticker A x1



遮盖贴纸B x1
Masking Sticker B x1

色表
Color Reference

	AK	Mr.Color	TAMIYA
机舱绿 Interior Green	RC-262	C-27	XF-3:2+XF-5:1
亮光红 Gloss Shine Red	RC-005	C-79	X-7
金属铝 Flat Aluminum	RC-020	MC-218	XF-16
半光黑 Semi Gloss black	RC-001	C-92	X-18
浅黄色 Buff	RC-041	C-45	XF-57
橡胶黑 Rubber Black	RC-022	C-137	XF-85
金属银 Chrome Silver	—	MC-211	X-11
透明橙 Clear Orange	RC-506	C-49	X-26
透明绿 Clear Green	RC-505	C-138	X-25
透明红 Clear Red	RC-503	C-47	X-27
枪铁色 Gun Metal	RC-015	MC-214	X-10
消光浅灰 Flat Light Gray	RC-247	C-317	XF-66
钛银色 Titanium Silver	—	—	X-32
消光暗灰 Flat Dark Gray	RC-243	C-301	XF-24
金属金 Gold Leaf	—	MC-217	X-12

*用到的颜色
*Colors for painting

1. 座舱零件组装及组合1 Cockpit parts assembly & attachment 1

F4U-1A 选装
Choose when assembling F4U-1A

选择其一
Choose one

F4U-2 选装
Choose when assembling F4U-2

2. 座舱零件组装及组合2 Cockpit parts assembly & attachment 2

F4U-1A 选装
Choose when assembling F4U-1A

选择其一
Choose one

F4U-2 选装
Choose when assembling F4U-2

*注意零件安装位置
*Note part assembly position

3. 座椅组装 Seat assembly

4. 座椅组合 Seat attachment

F4U-1A 选装
Choose when assembling F4U-1A

选择其一
Choose one

F4U-2 选装
Choose when assembling F4U-2

F4U-1A 选装
Choose when assembling F4U-1A

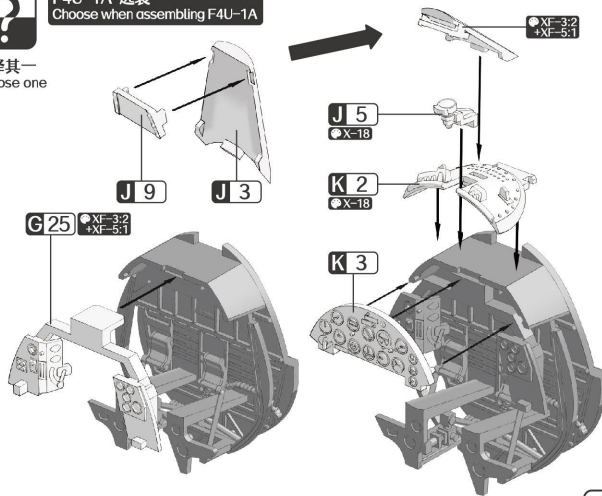
F4U-2 选装
Choose when assembling F4U-2

5. 座舱零件组装及组合3 Cockpit parts assembly & attachment 3

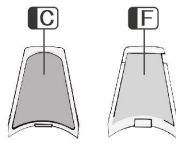


F4U-1A 选装
Choose when assembling F4U-1A

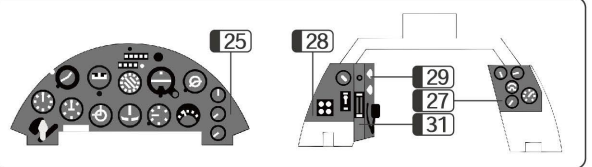
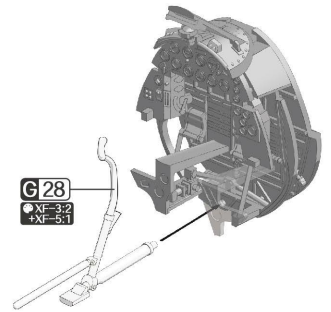
选择其一
Choose one



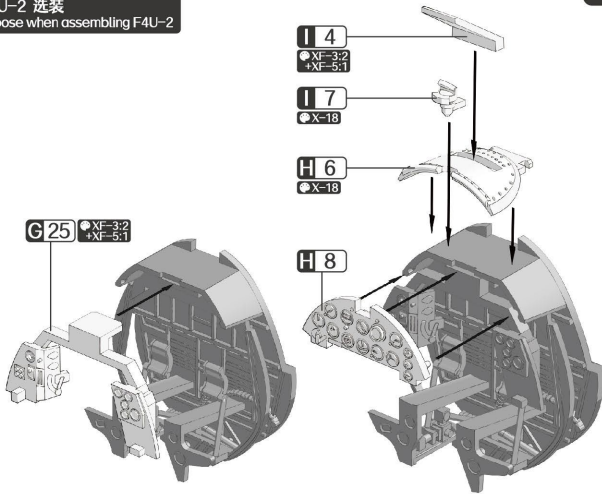
*防弹玻璃分色遮盖制作
*Make masking on bullet proof glass



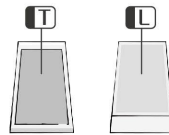
*请使用MASKING STICKER A
*Use MASKING STICKER A



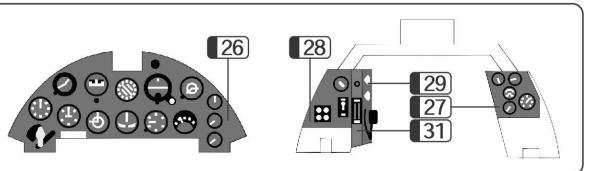
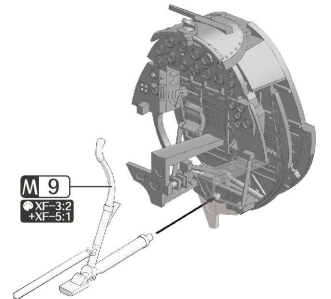
F4U-2 选装
Choose when assembling F4U-2



*防弹玻璃分色遮盖制作
*Make masking on bullet proof glass



*请使用MASKING STICKER B
*Use MASKING STICKER B

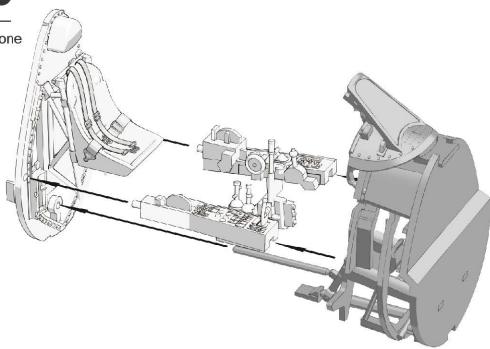


6. 座舱组合 Cockpit attachment

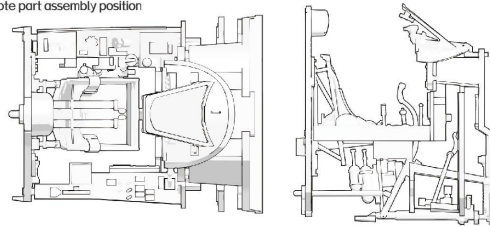


F4U-1A 选装
Choose when assembling F4U-1A

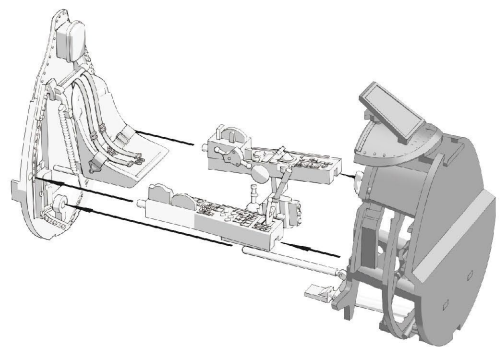
选择其一
Choose one



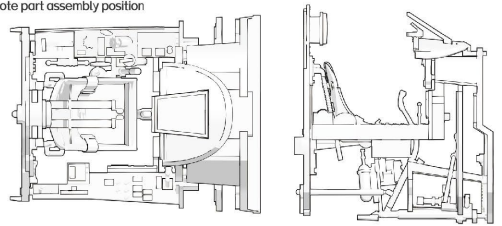
*注意零件安装位置
*Note part assembly position



F4U-2 选装
Choose when assembling F4U-2



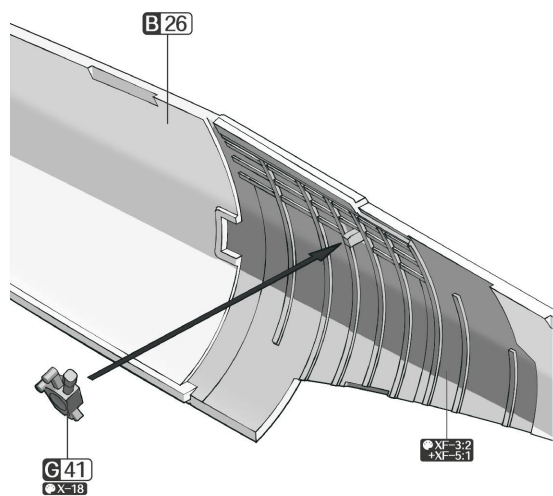
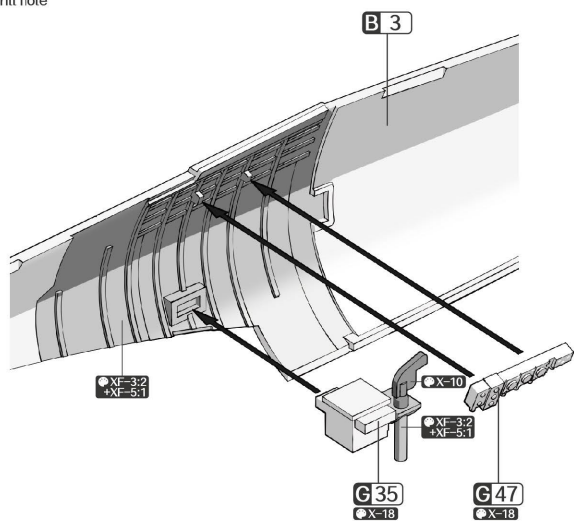
*注意零件安装位置
*Note part assembly position



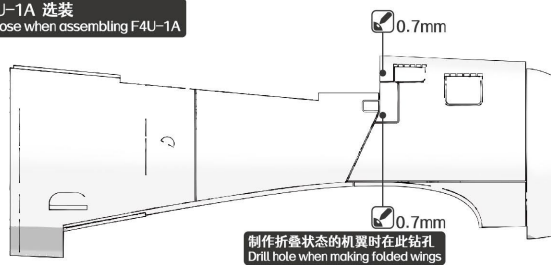
7. 机身内部零件组合 Fuselage interior parts attachment



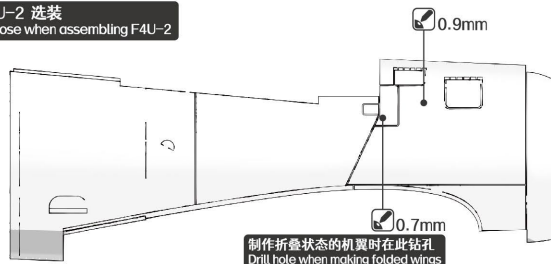
钻孔
Drill hole



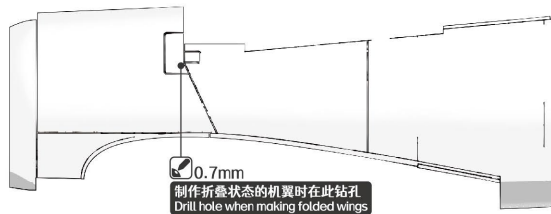
F4U-1A 选装
Choose when assembling F4U-1A



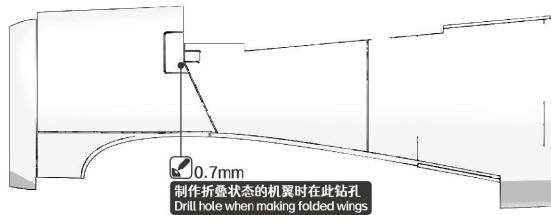
F4U-2 选装
Choose when assembling F4U-2



F4U-1A 选装
Choose when assembling F4U-1A



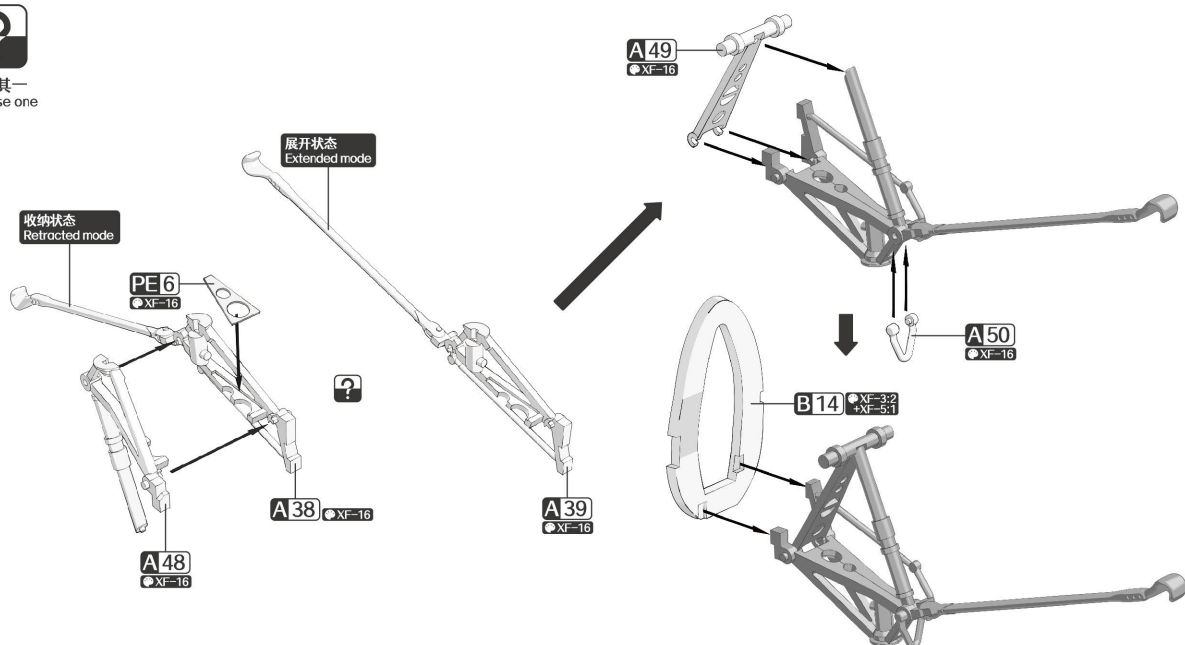
F4U-2 选装
Choose when assembling F4U-2



8. 后起落架及尾钩组装 Rear landing gear & tailhook assembly



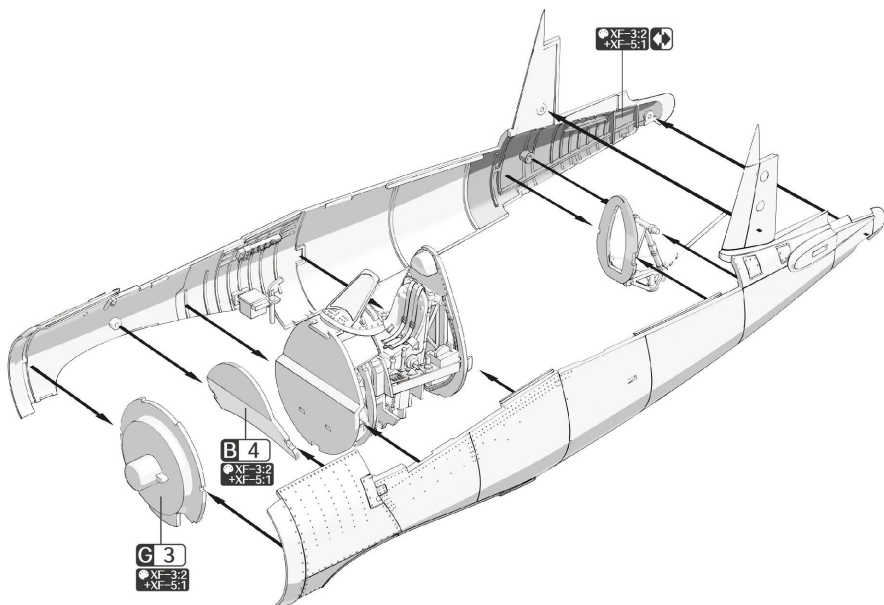
选择其一
Choose one



9. 机身组合 Fuselage attachment



对称制作
Both sides



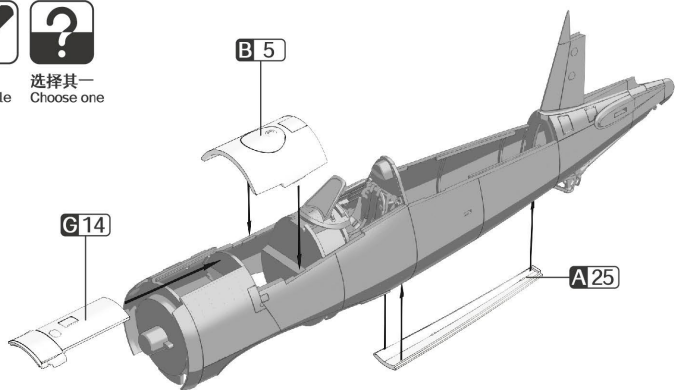
10. 机身外部零件组装及组合 Fuselage exterior parts assembly & attachment



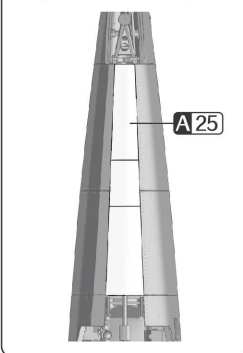
钻孔
Drill hole



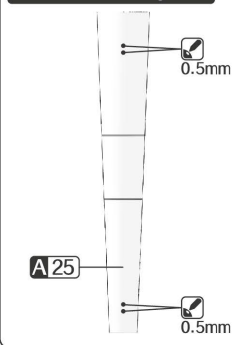
选择其一
Choose one



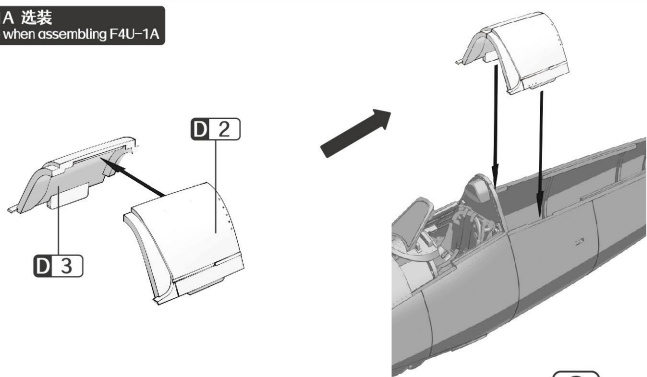
*注意零件安装方向与位置
*Note part assembly direction & position



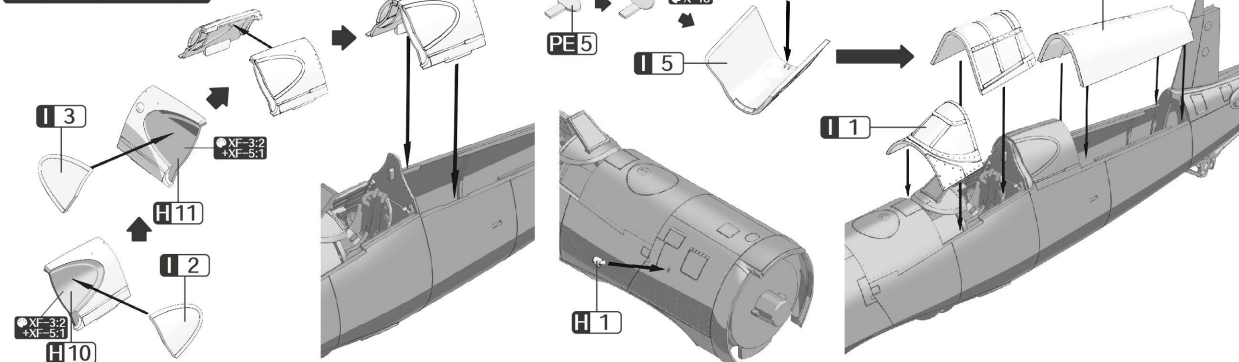
F4U-2 选装
Choose when assembling F4U-2



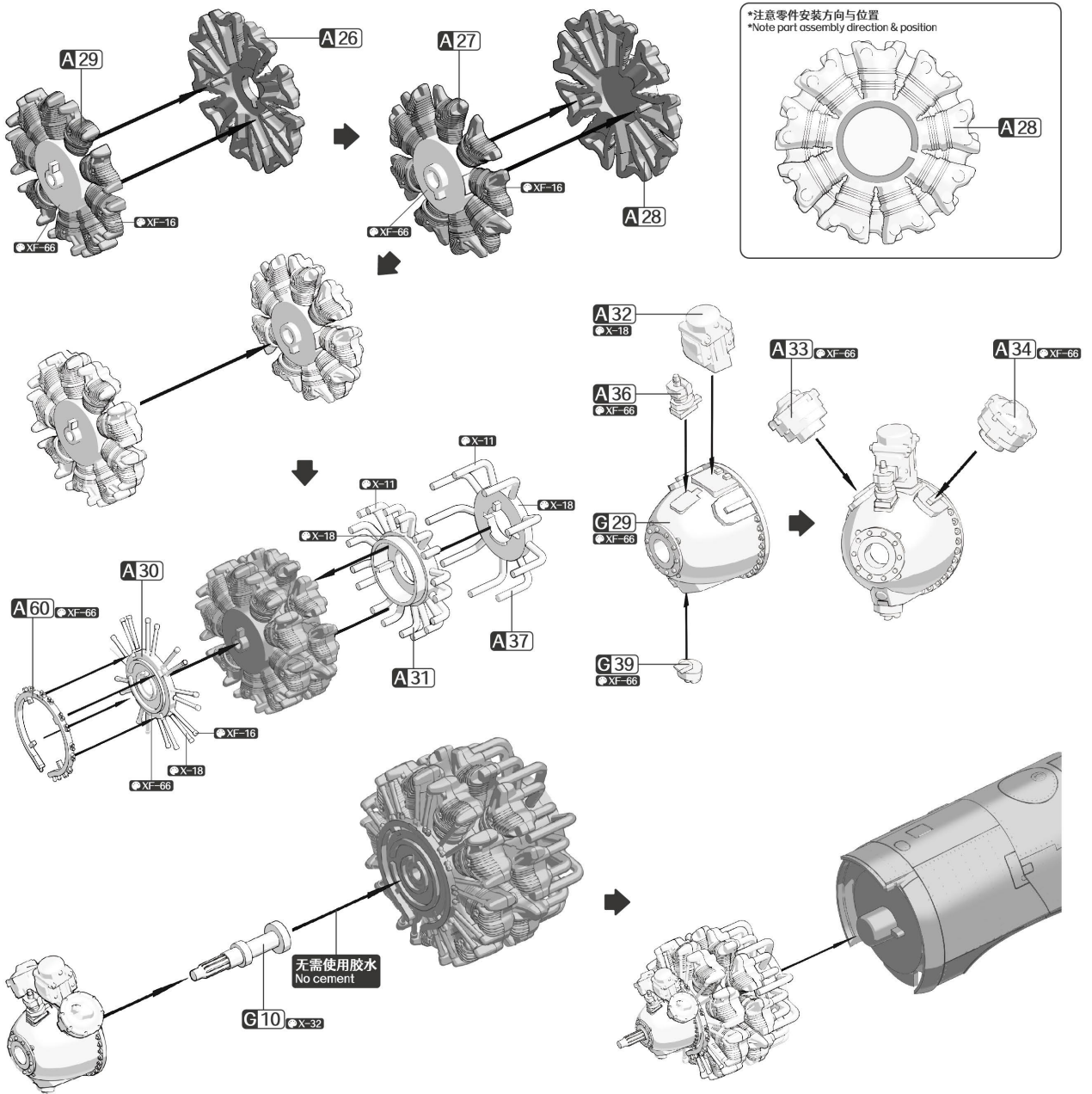
F4U-1A 选装
Choose when assembling F4U-1A



F4U-2 选装
Choose when assembling F4U-2

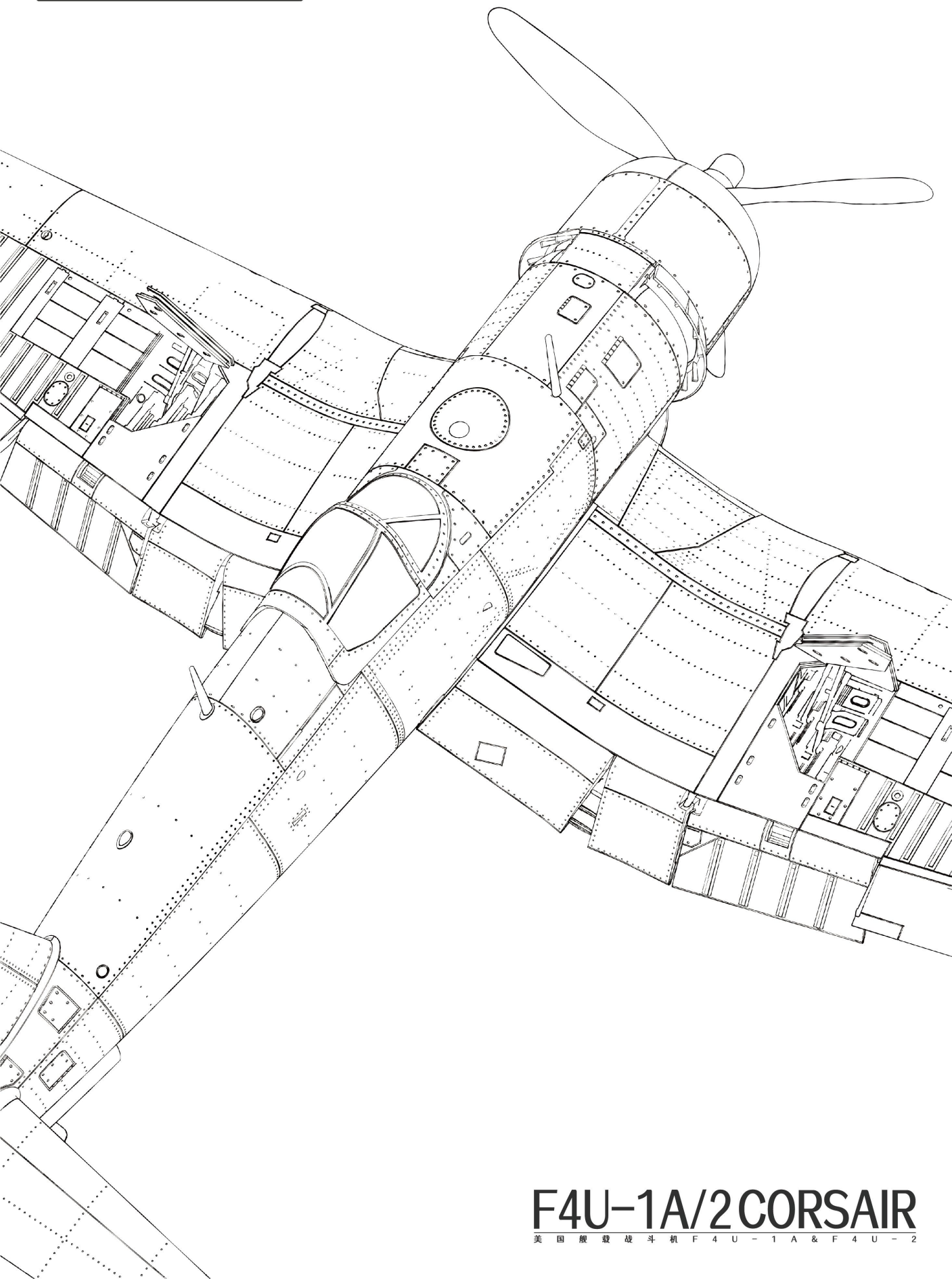


11. 发动机组装及组合 Engine parts assembly & attachment



制作展开的机翼 Make unfolded wings

本套件含一套平直机翼和一套折叠机翼
The kit includes one set of unfolded wings
and one set of folded wings.



F4U-1A/2 CORSAIR

美国舰载战斗机 F4U-1A & F4U-2

12. 机翼展开状态组装1 Unfolded wings assembly 1



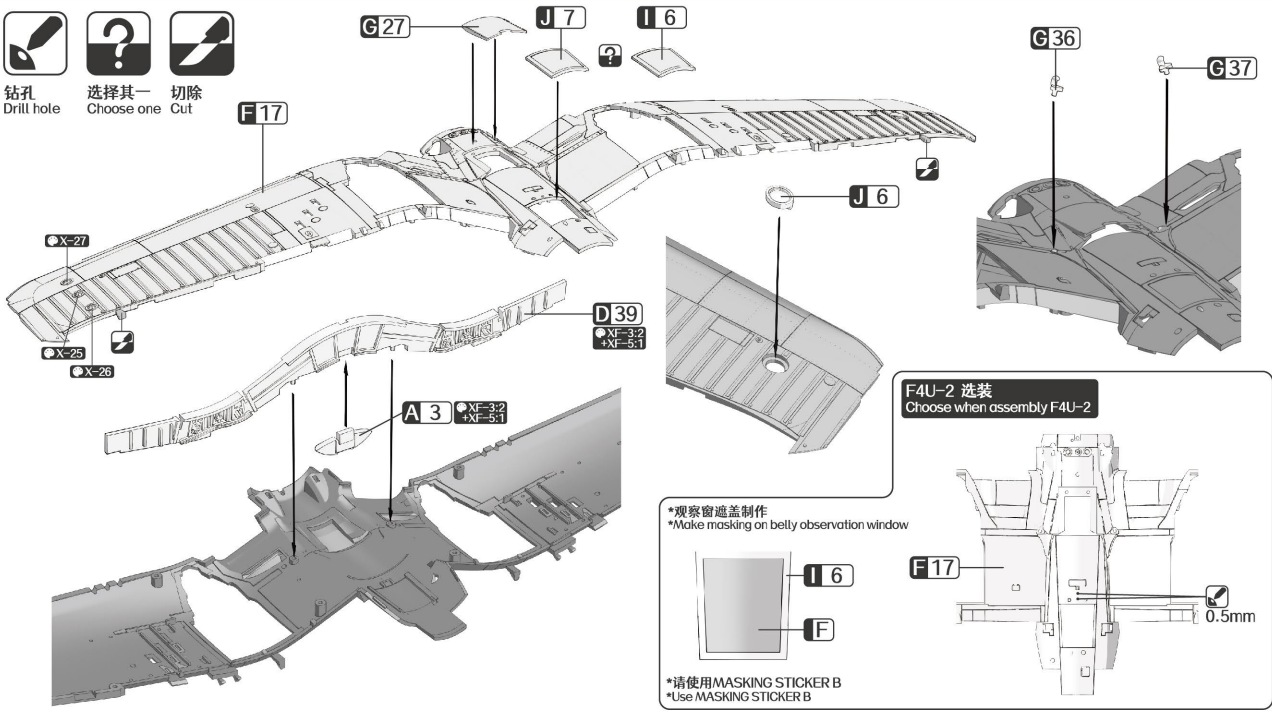
钻孔
Drill hole



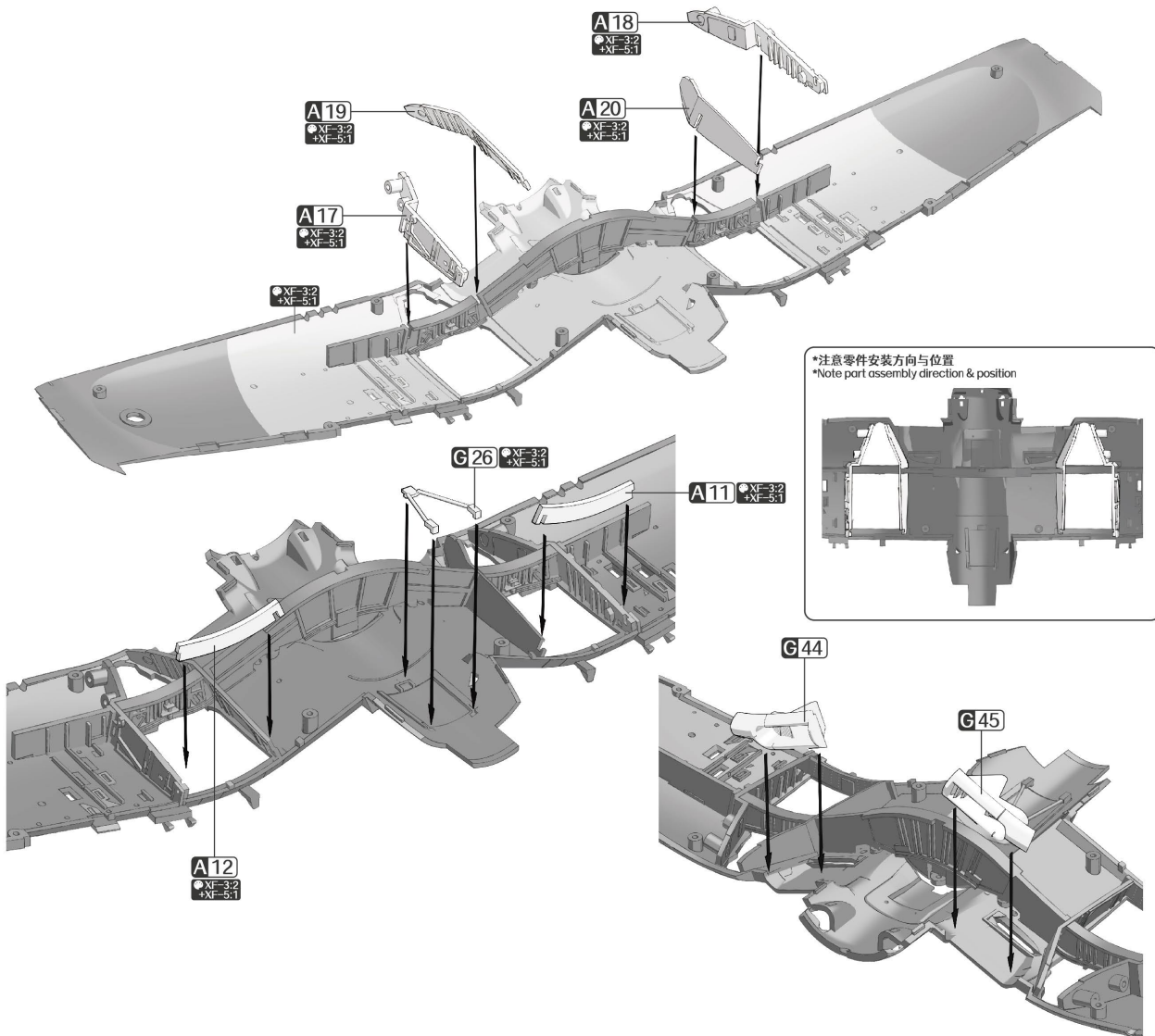
选择其一
Choose one



切除
Cut

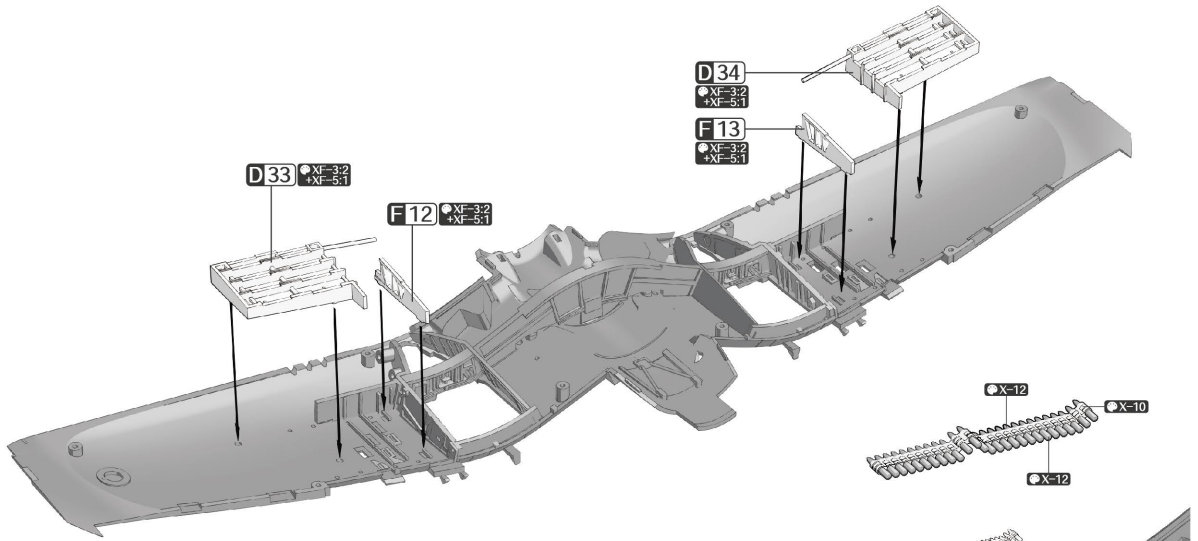


13. 机翼展开状态组装2 Unfolded wings assembly 2

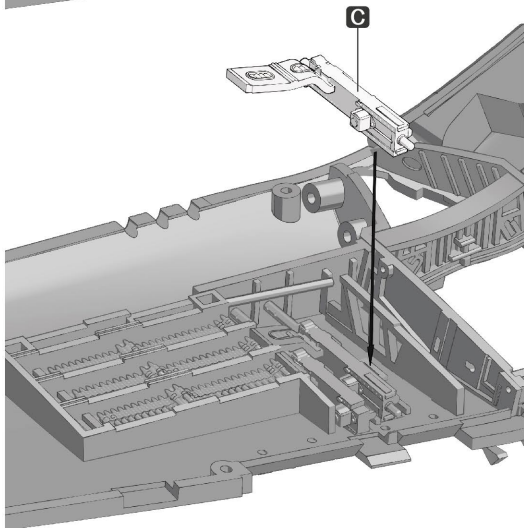
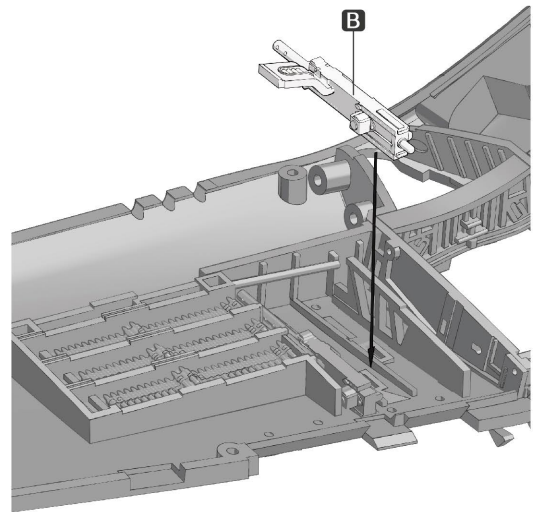
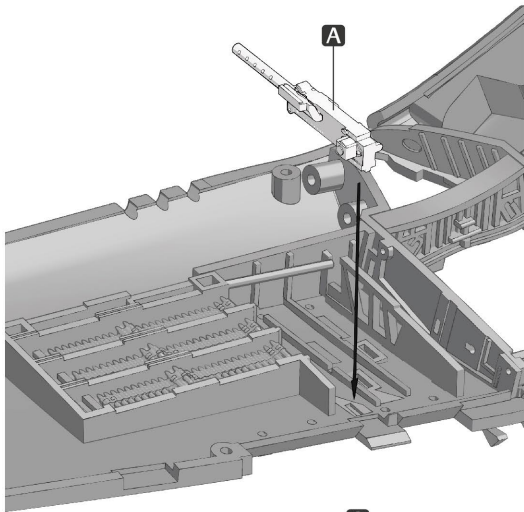
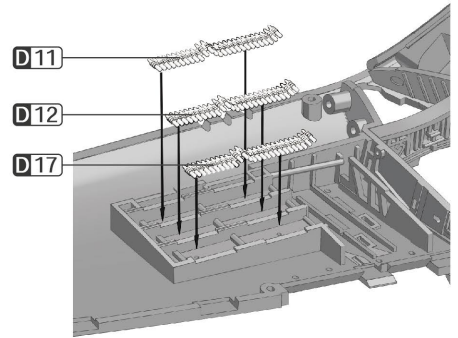
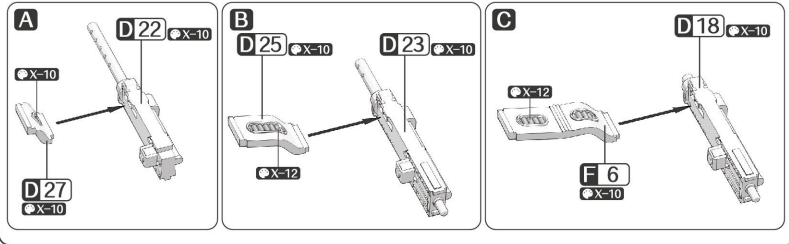


14. 左机翼机载武器组装及组合

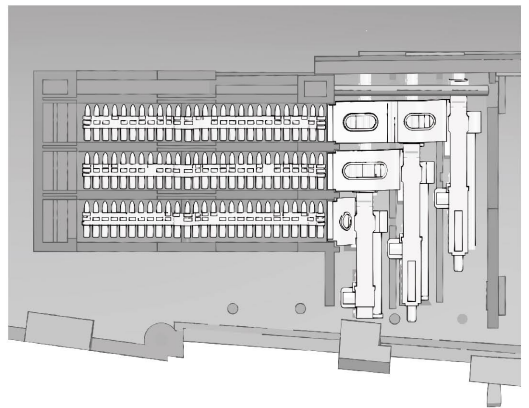
Port wing weapons assembly & attachment



*左侧机枪安装
*Port guns assembly

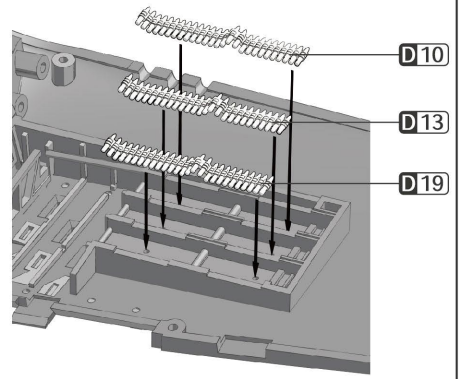
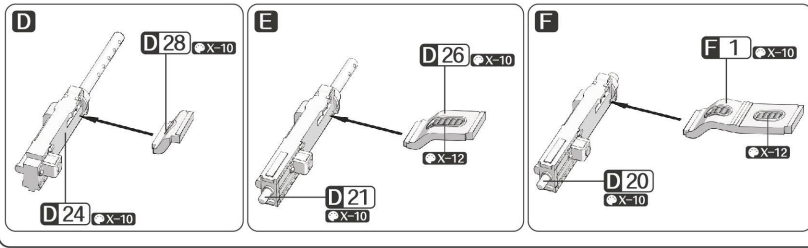


*注意零件安装方向与位置
*Note part assembly direction & position

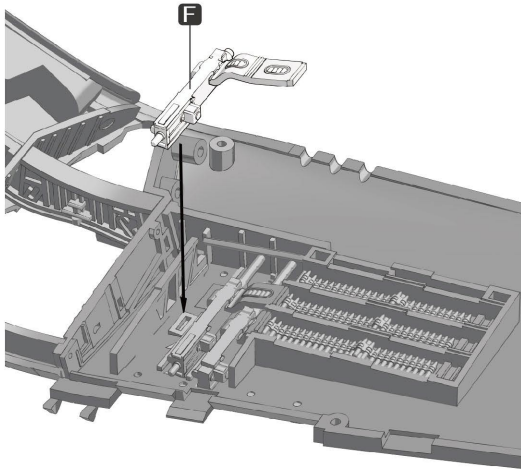
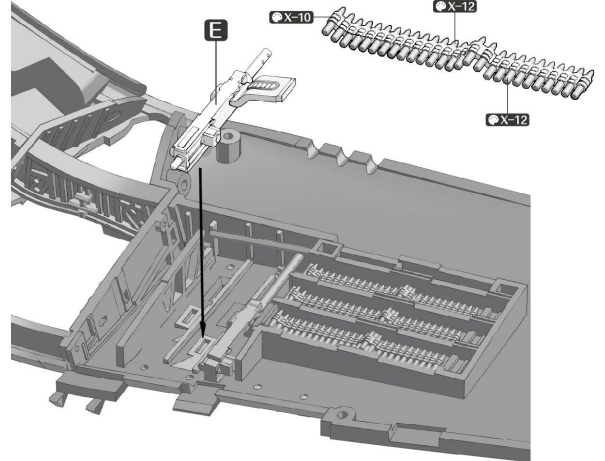
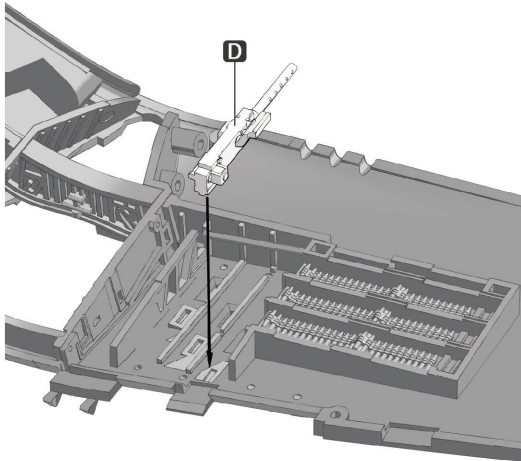


15. 右机翼机载武器组装及组合 Starboard wing weapons assembly & attachment

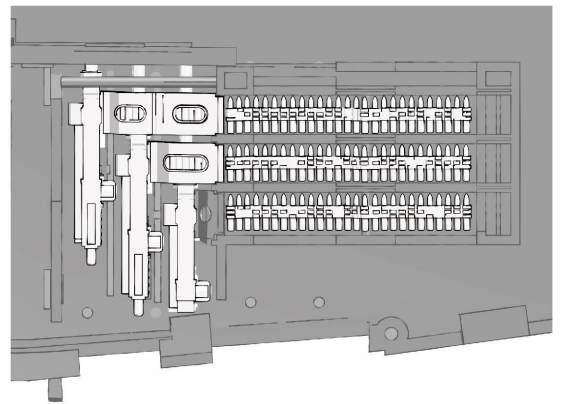
*右侧机枪安装
*Starboard guns assembly



制作F4U-2时，不安装D19、D22、D28
Don't assemble D19, D22 & D28 when build F4U-2



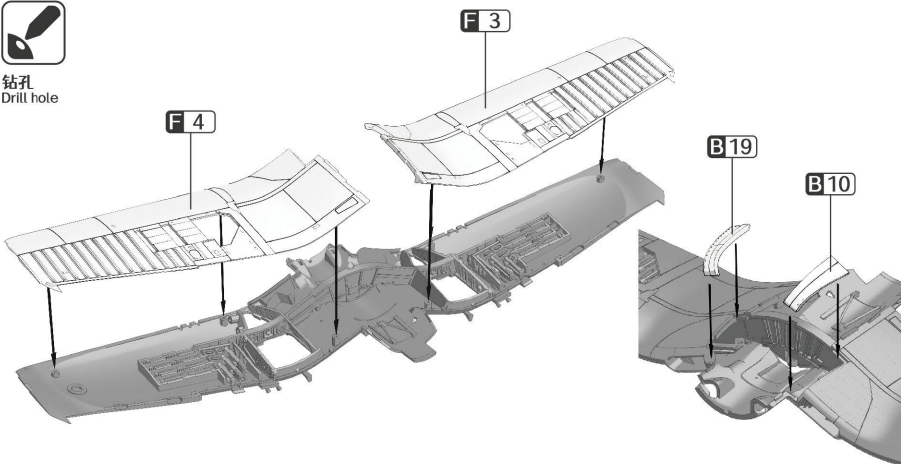
*注意零件安装方向与位置
*Note part assembly direction & position



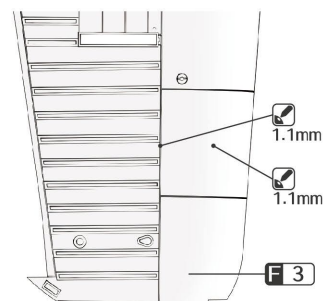
16. 机翼上部零件组合 Upper wing parts attachment



钻孔
Drill hole



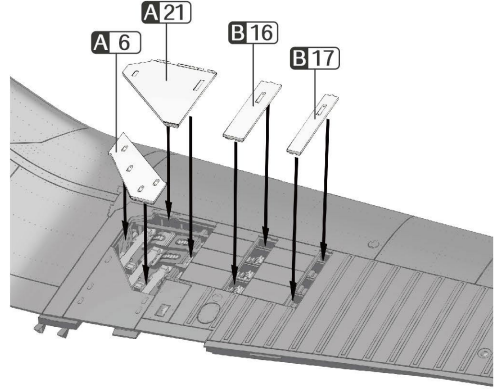
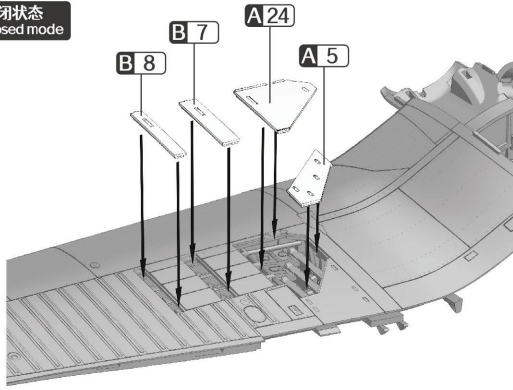
F4U-2 选装
Choose when assembling F4U-2



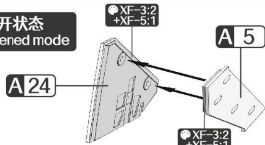
17. 机载武器舱盖组装及组合 Weapon bay doors assembly & attachment

? 关闭状态
Closed mode

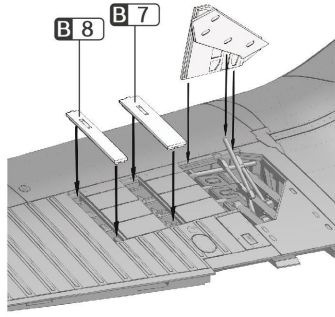
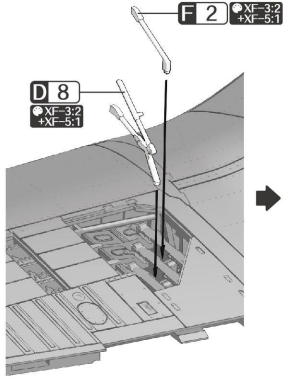
选择其一
Choose one



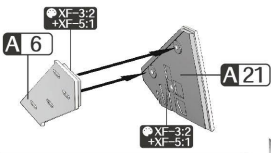
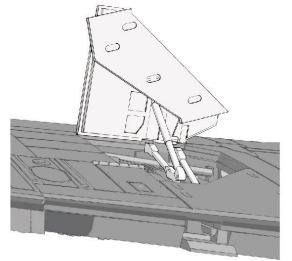
?
打开状态
Opened mode



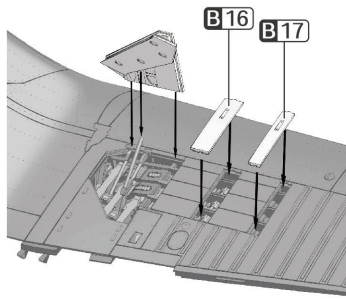
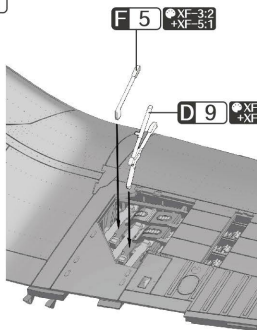
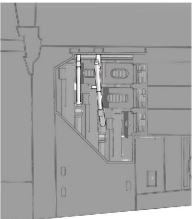
*注意零件安装方向与位置
*Note part assembly direction & position



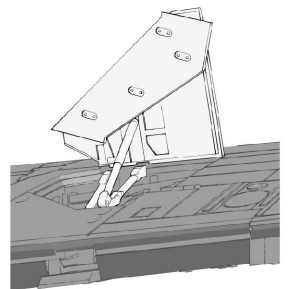
*注意零件安装方向与位置
*Note part assembly direction & position



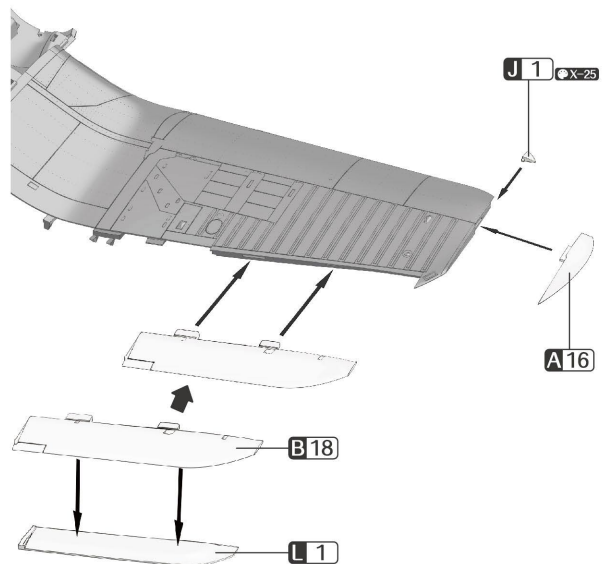
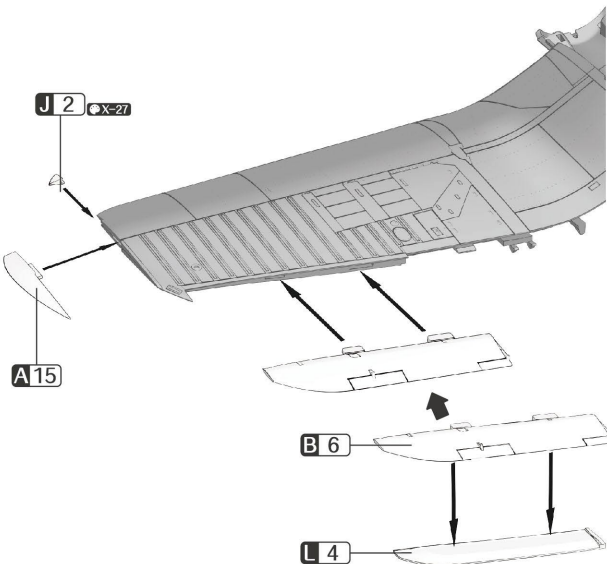
*注意零件安装方向与位置
*Note part assembly direction & position



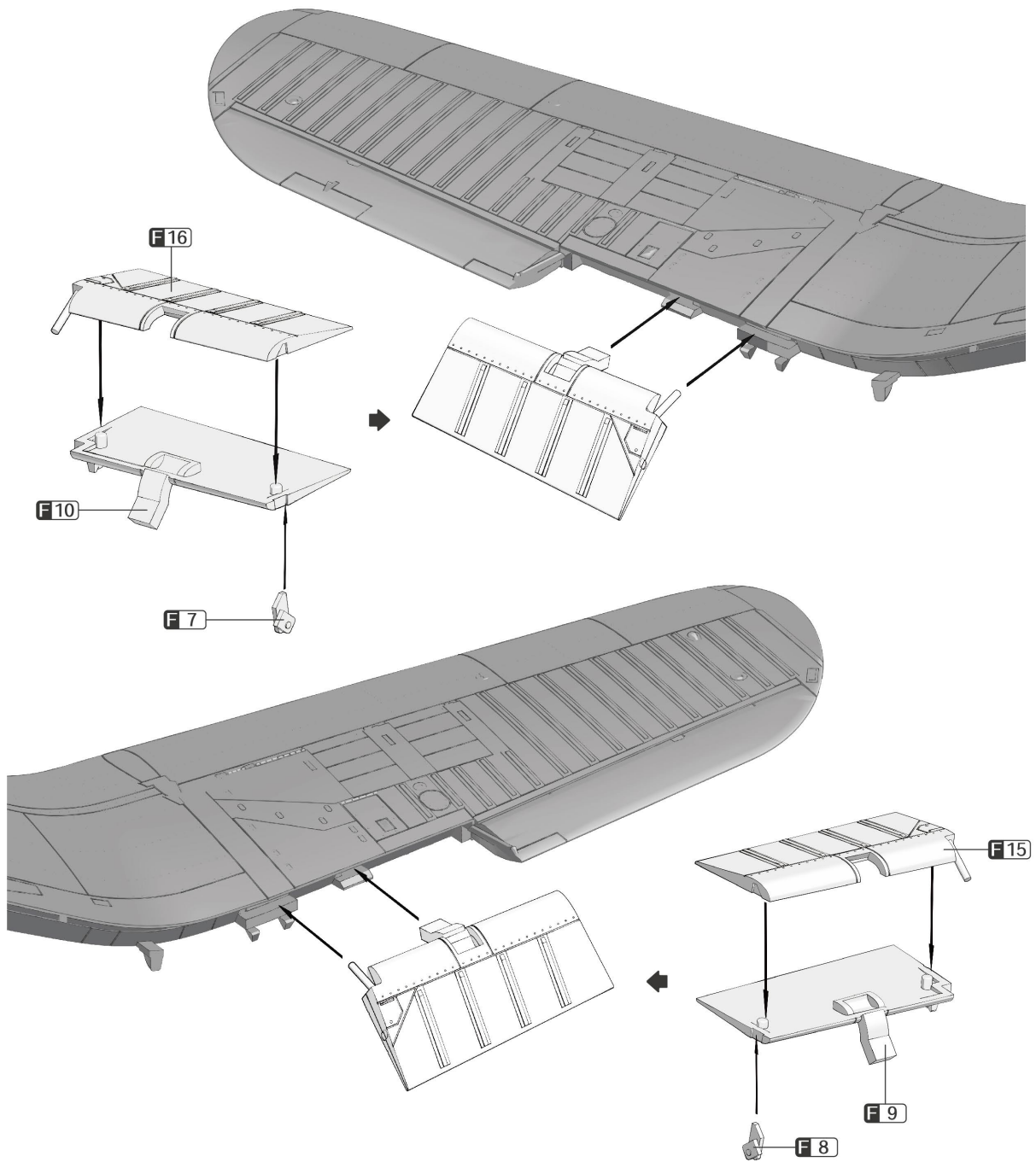
*注意零件安装方向与位置
*Note part assembly direction & position



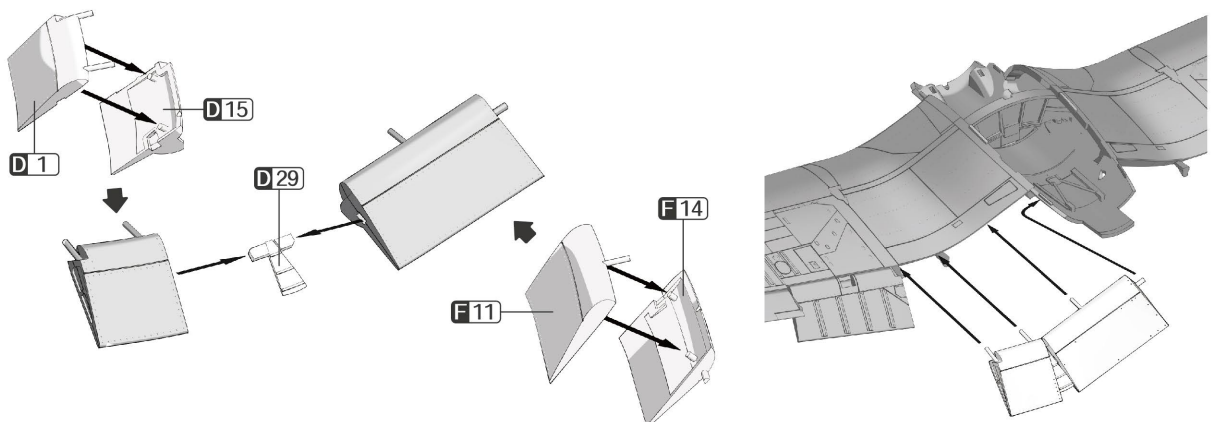
18. 翼尖, 副翼组合 Wingtip & ailerons attachment



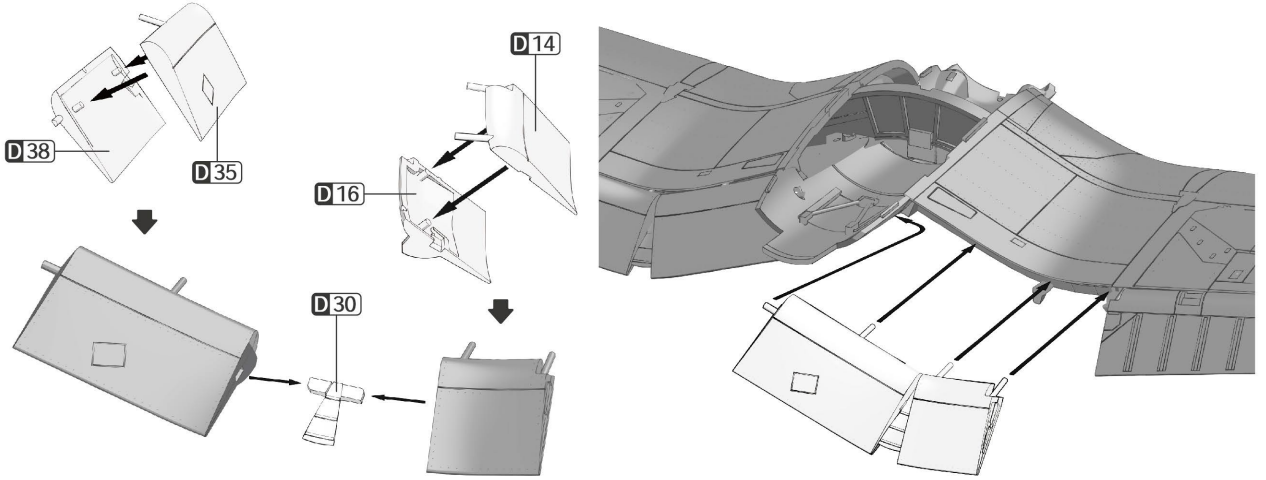
19. 襟翼组装及组合1
Flaps assembly & attachment 1



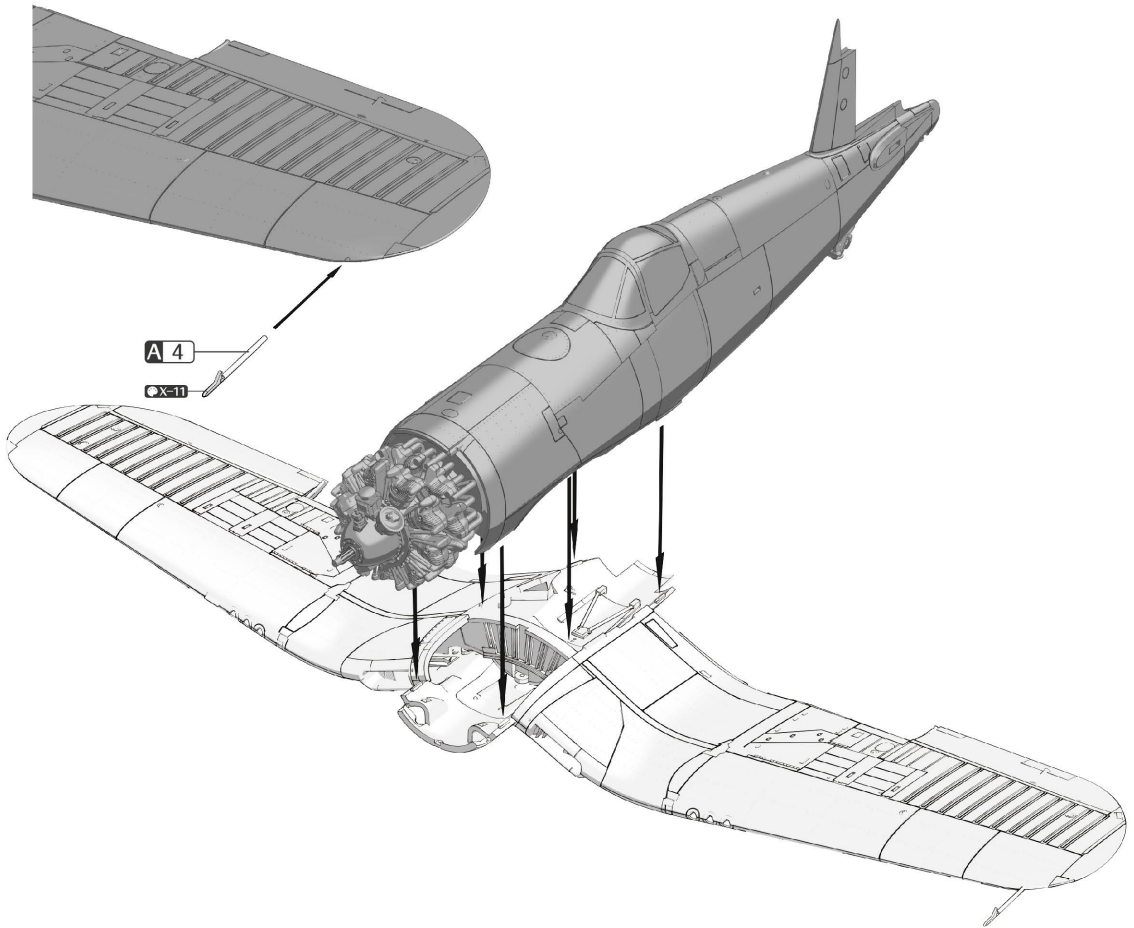
20. 襟翼组装及组合2
Flaps assembly & attachment 2



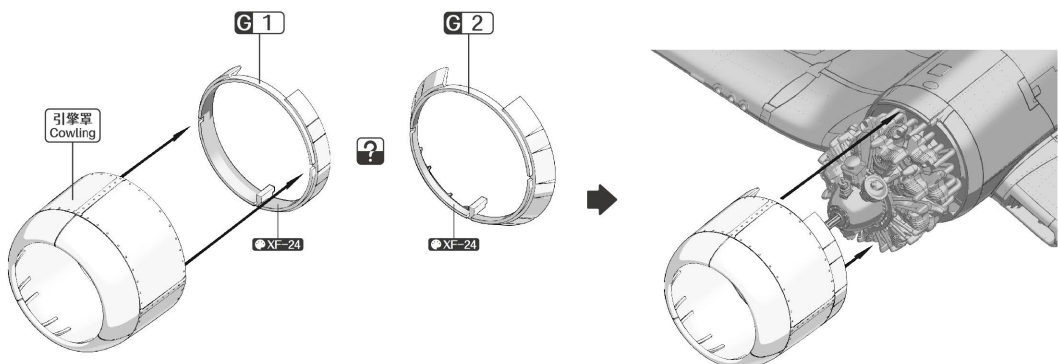
21. 襟翼组装及组合3
Flaps assembly & attachment 3



22. 展开状态机翼组合
Unfolded wings attachment

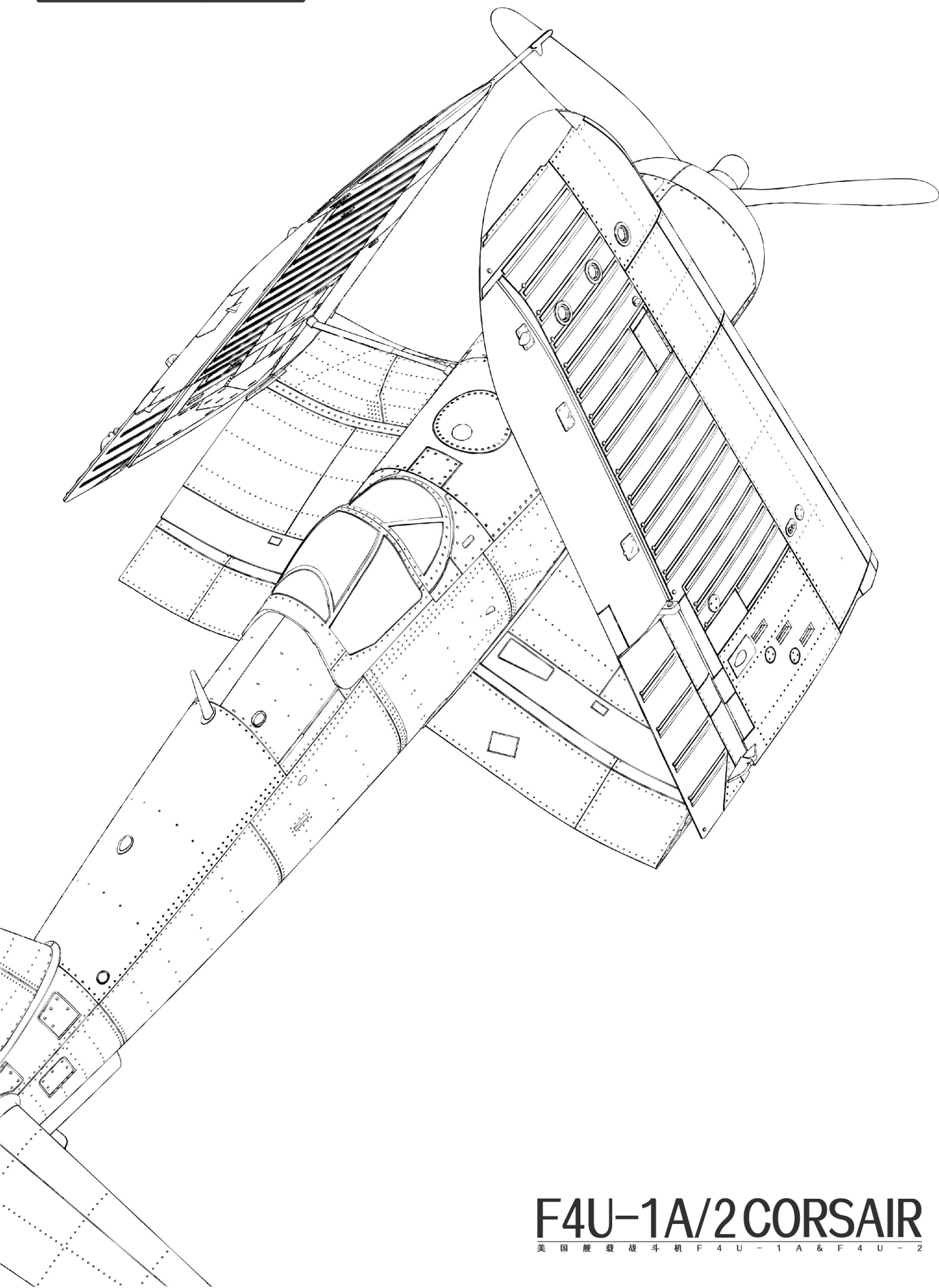


?
选择其一
Choose one



制作折叠的机翼 Make folded wings

本套件含一套平直机翼和一套折叠机翼
The kit includes one set of unfolded wings
and one set of folded wings.



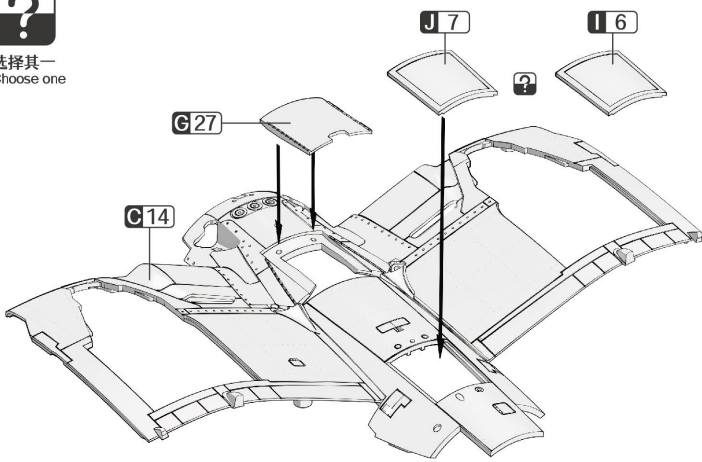
F4U-1A/2 CORSAIR

美国舰载战斗机 F4U-1A & F4U-2

23. 折叠机翼组装1 Folded wing assembly 1

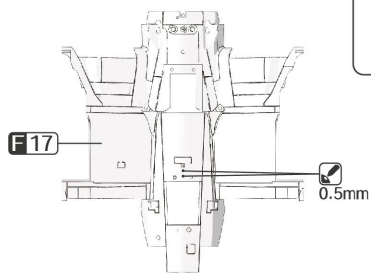


选择其一
Choose one



F4U-2 选装

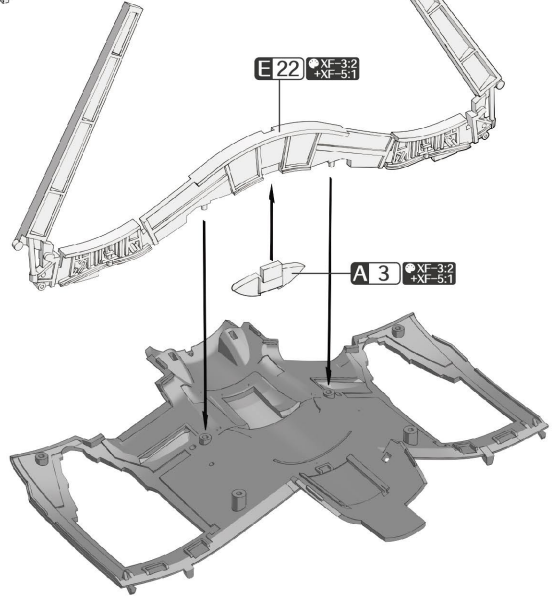
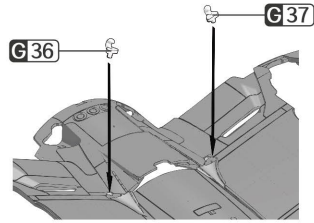
Choose when assembling F4U-2



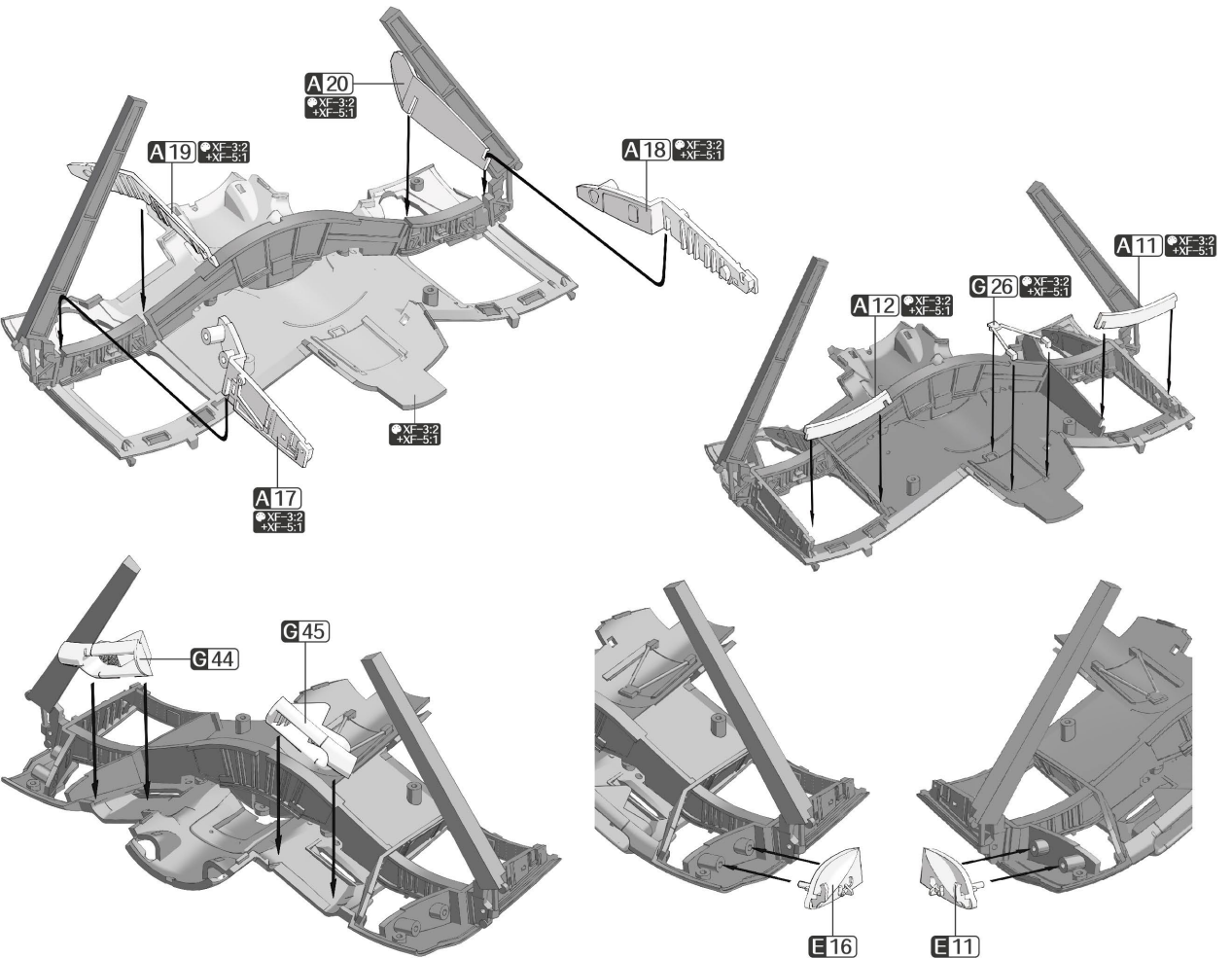
*观察窗遮盖制作
*Make masking on belly observation window



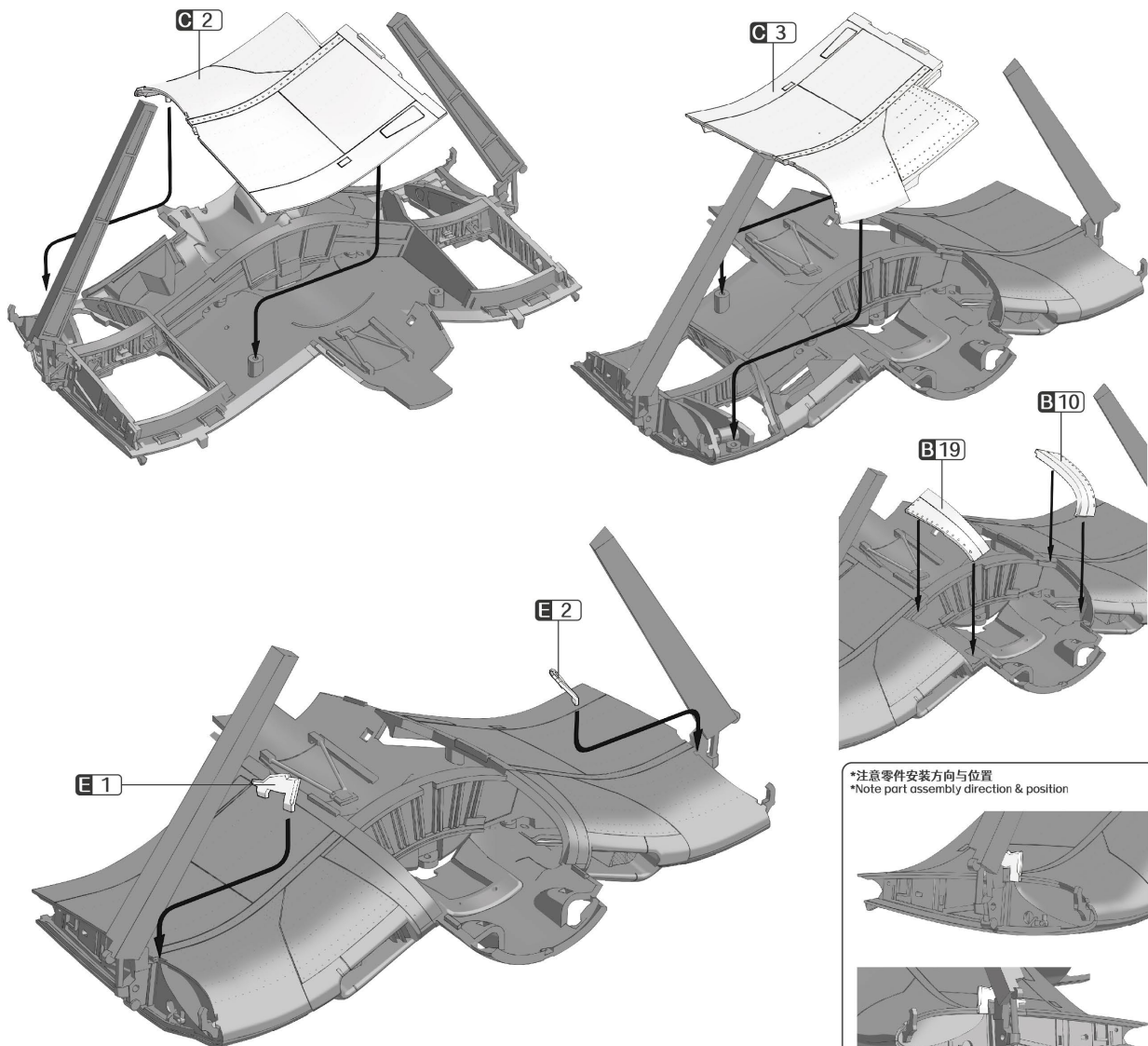
*请使用MASKING STICKER B
*Use MASKING STICKER B



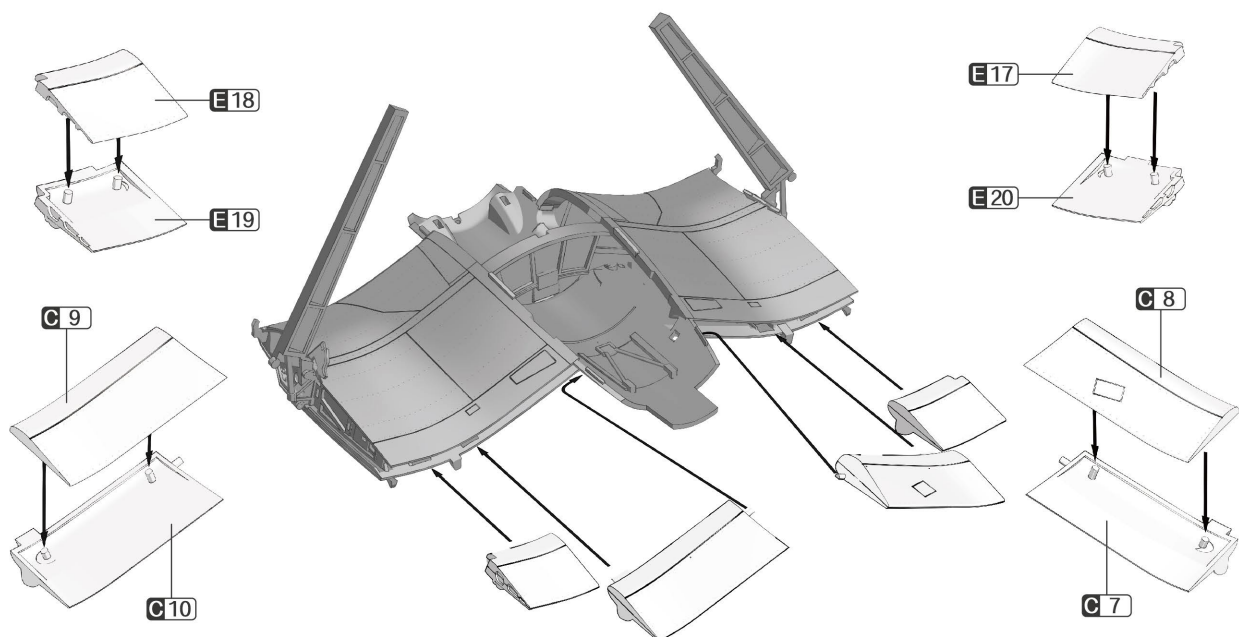
24. 折叠机翼组装2 Folded wing assembly 2



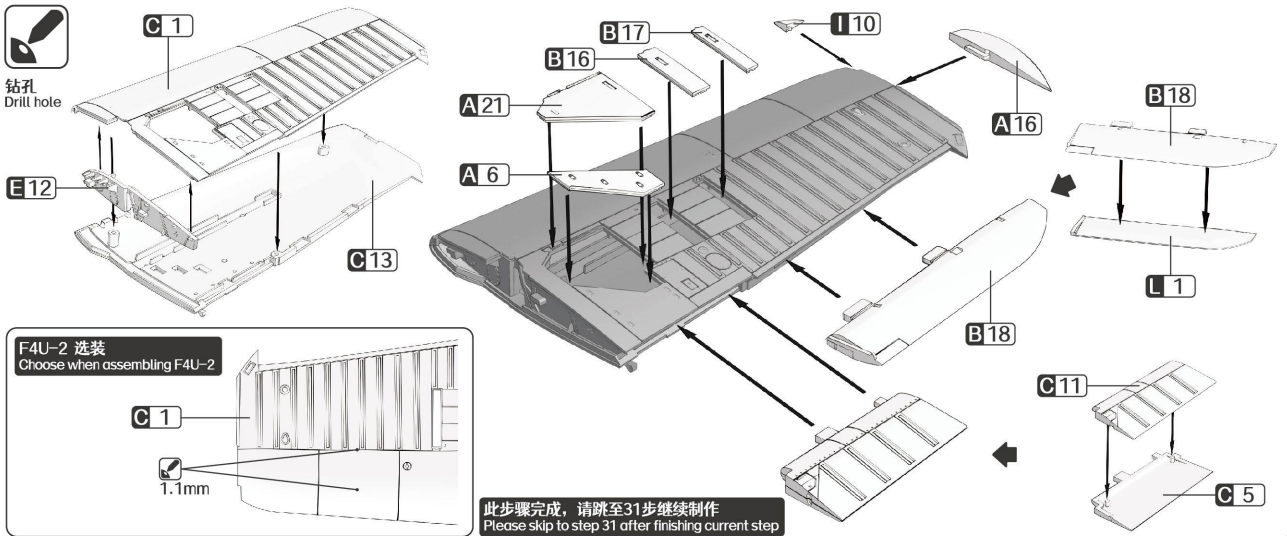
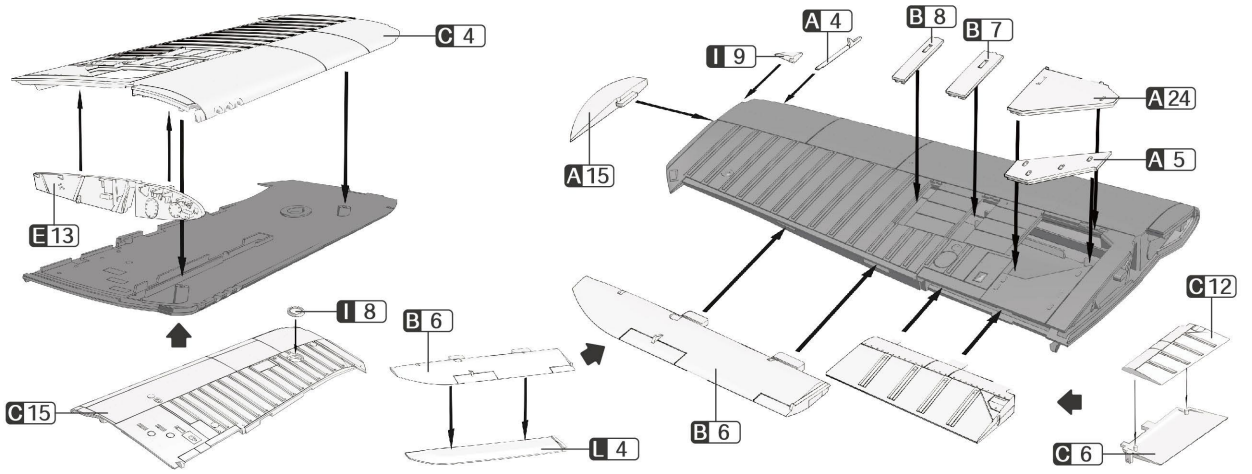
25. 折叠机翼组装3 Folded wing assembly 3



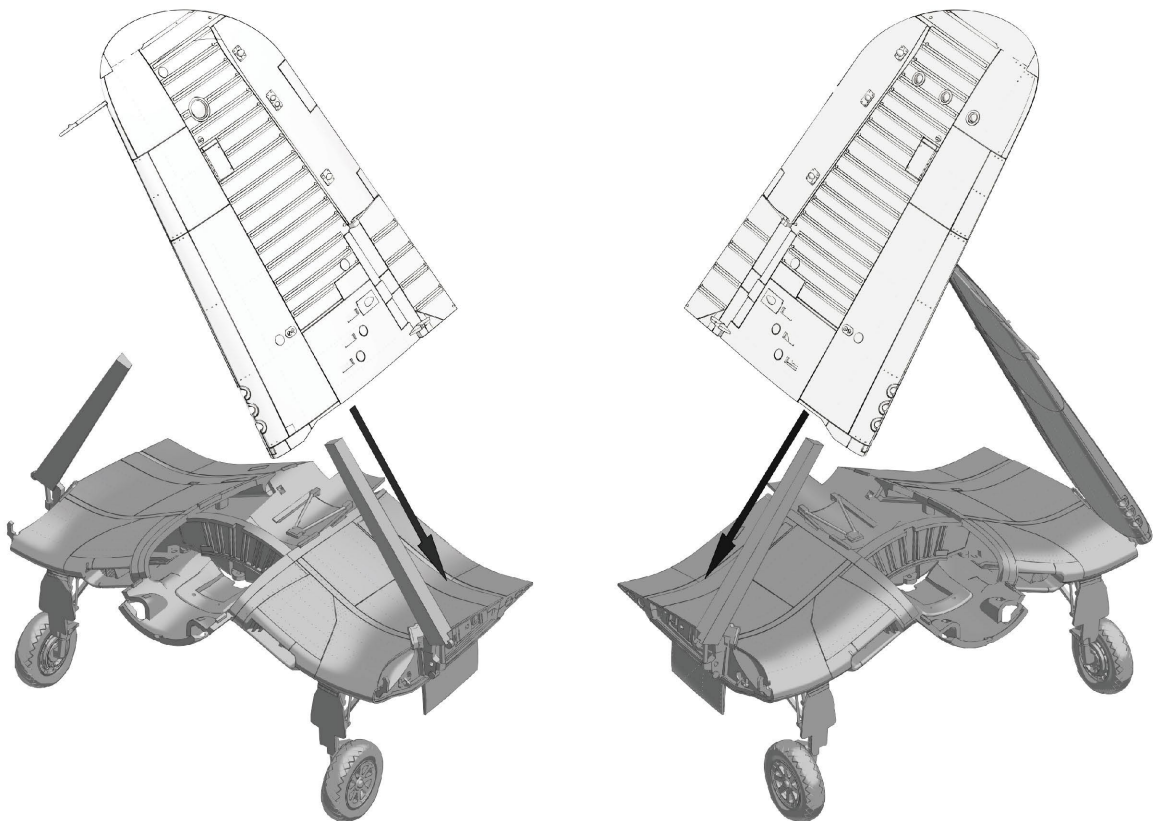
26. 折叠机翼组装4 Folded wing assembly 4



27. 折叠机翼组装5 Folded wings assembly 5



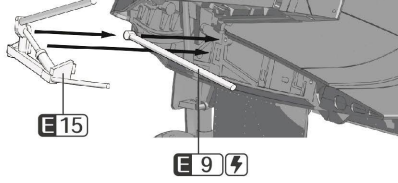
28. 折叠状态的机翼组合 Folded wings attachment



29. 折叠机构零件组合 Wing folding mechanism attachment

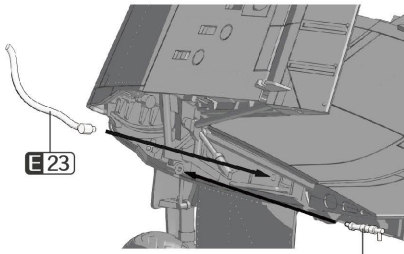


优先制作
Assemble first



E15

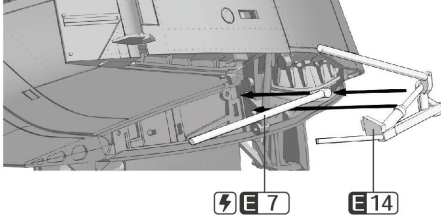
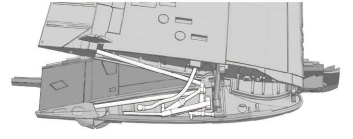
E9



E23

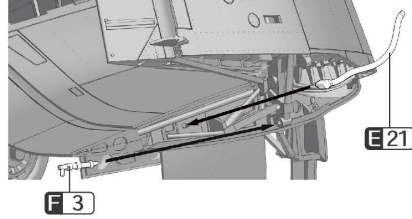
E4

*注意零件安装方向与位置
*Note part assembly direction & position



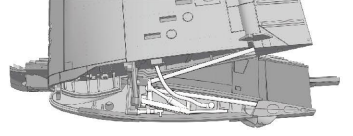
E7

E14



E21

*注意零件安装方向与位置
*Note part assembly direction & position

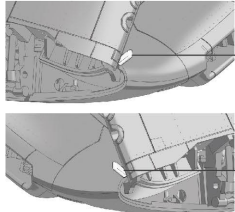


30. 发动机罩组合 Attaching cowling



对称制作
Both sides

*注意零件安装方向与位置
*Note part assembly direction & position



E5

E6

E5

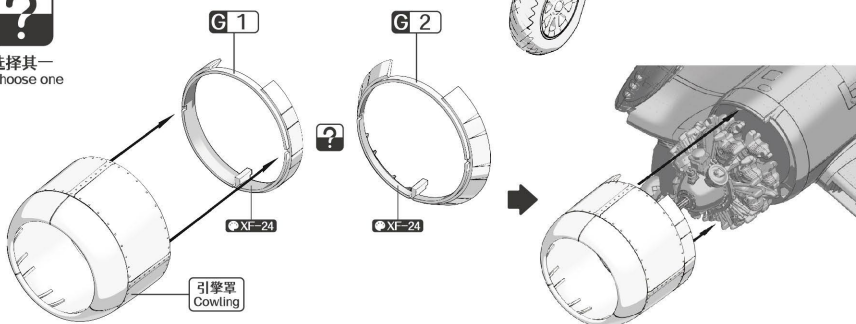
E6

E8

E10



选择其一
Choose one



G1

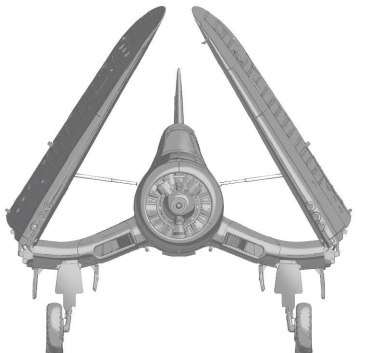
G2

XF-24

XF-24

引擎罩
Cowling

*注意零件安装方向与位置
*Note part assembly direction & position

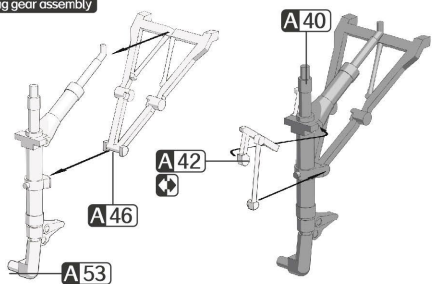


31. 主起落架组装 Main landing gear assembly

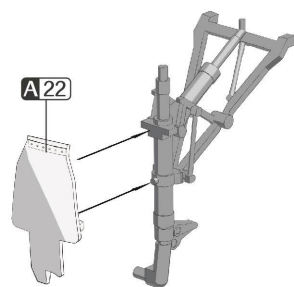
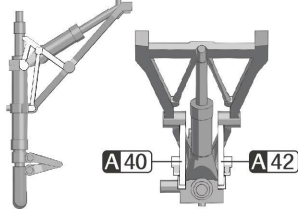


对称制作
Both sides

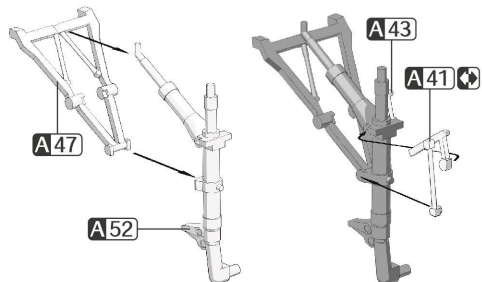
右起落架组装
Starboard landing gear assembly



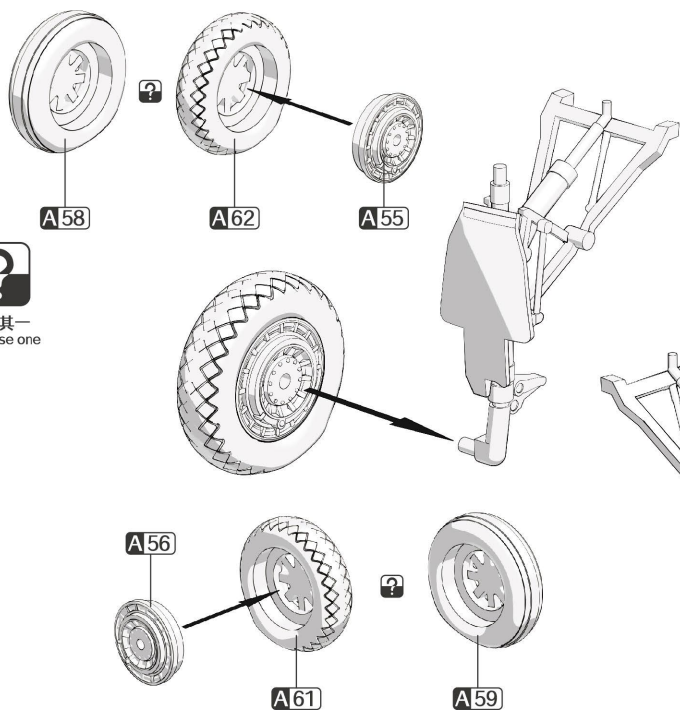
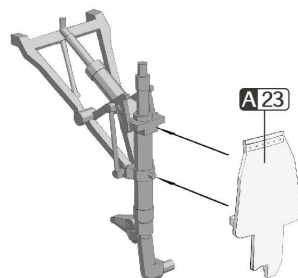
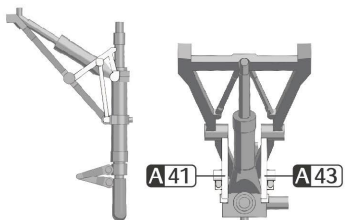
*注意零件安装方向与位置
*Note part assembly direction & position



左起落架组装
Port landing gear assembly

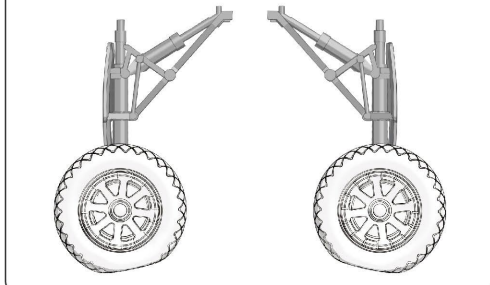


*注意零件安装方向与位置
*Note part assembly direction & position

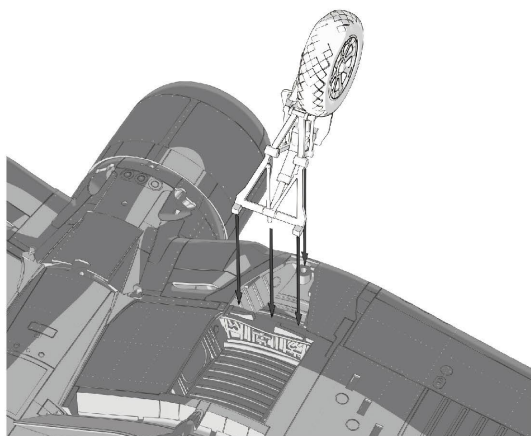
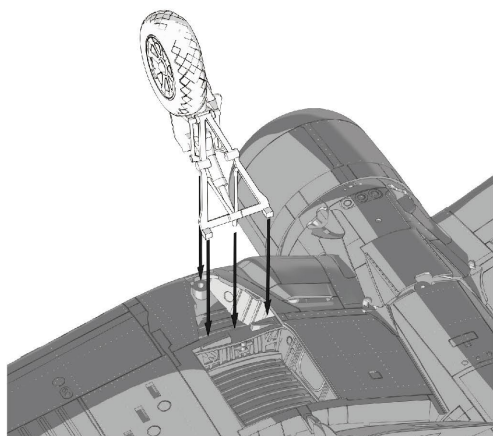


选择其一
Choose one

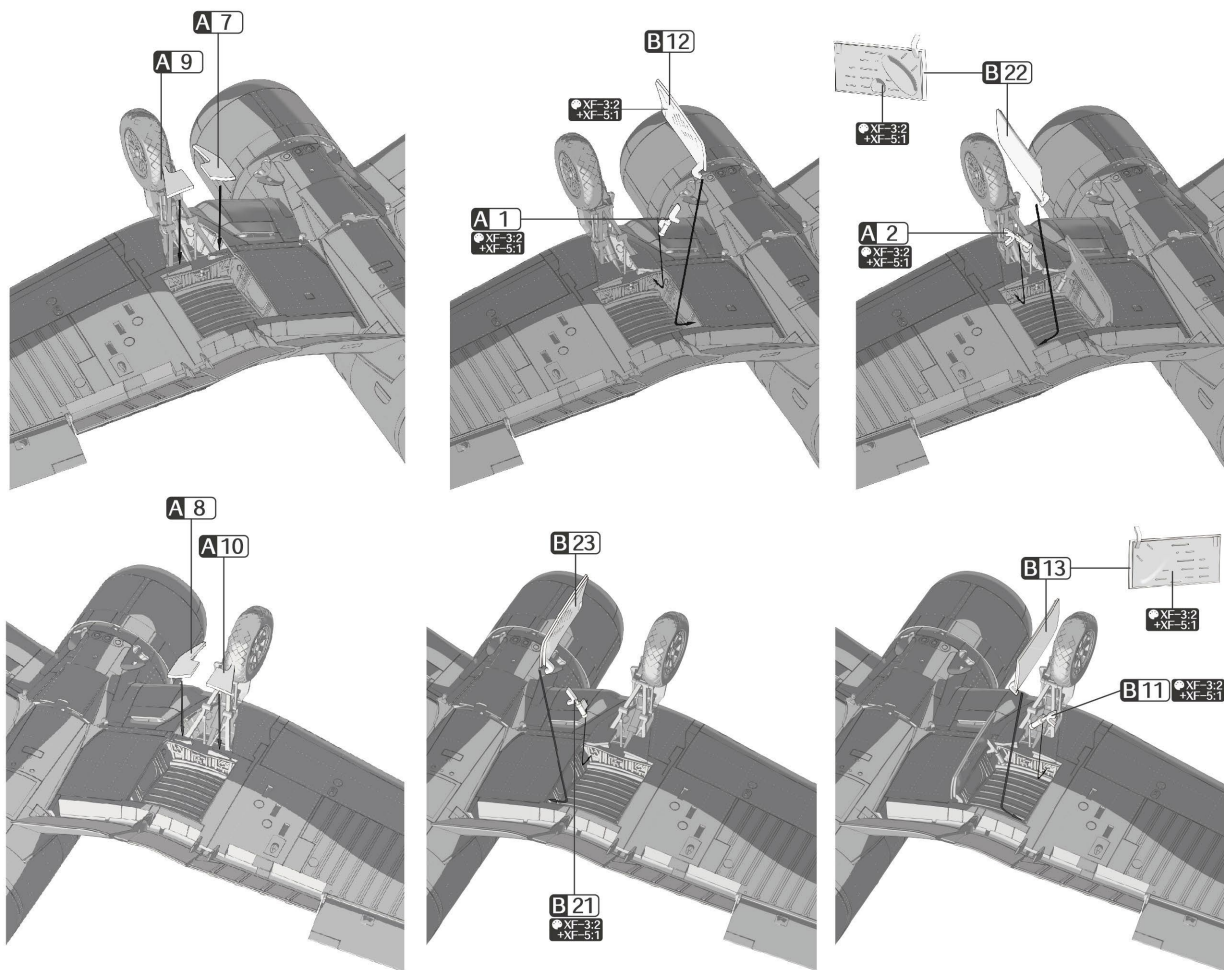
*注意零件安装方向与位置
*Note part assembly direction & position



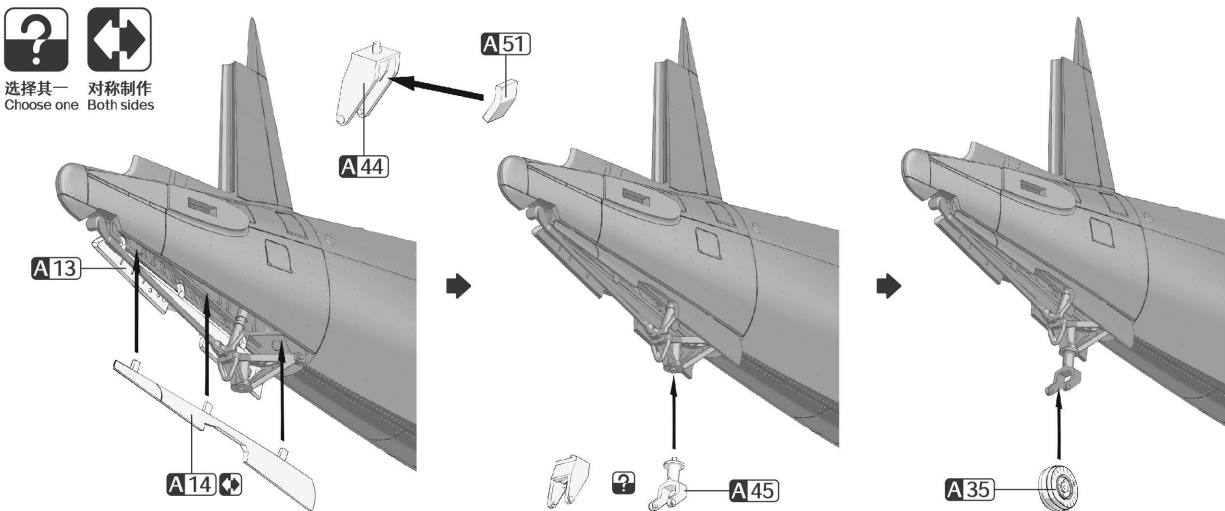
32. 主起落架组合 Main landing gear attachment



33. 主起落架舱门组合 Main landing gear bay doors attachment

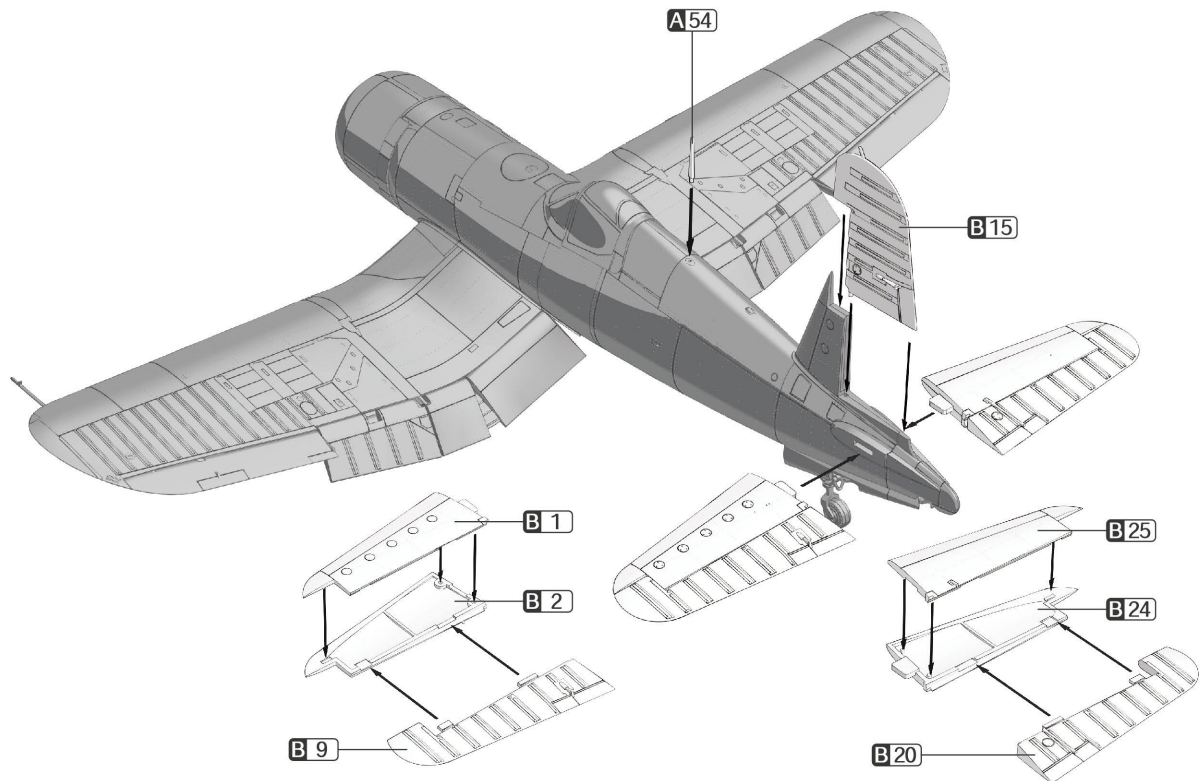


34. 后起落架及尾钩组合 Rear landing gear & tailhook assembly



选装折翼状态, 第34步完成后请返回第28步继续制作
When making folded wings, return to step 28 to continue the build after finish step 34

35. 水平尾翼和方向舵组装及组合 Horizontal stabilizers, rudder assembly & attachment

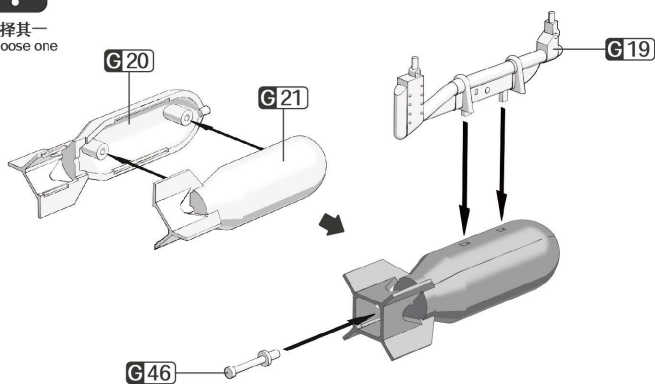


36. 机腹挂载组装及组合 Belly stores assembly & attachment

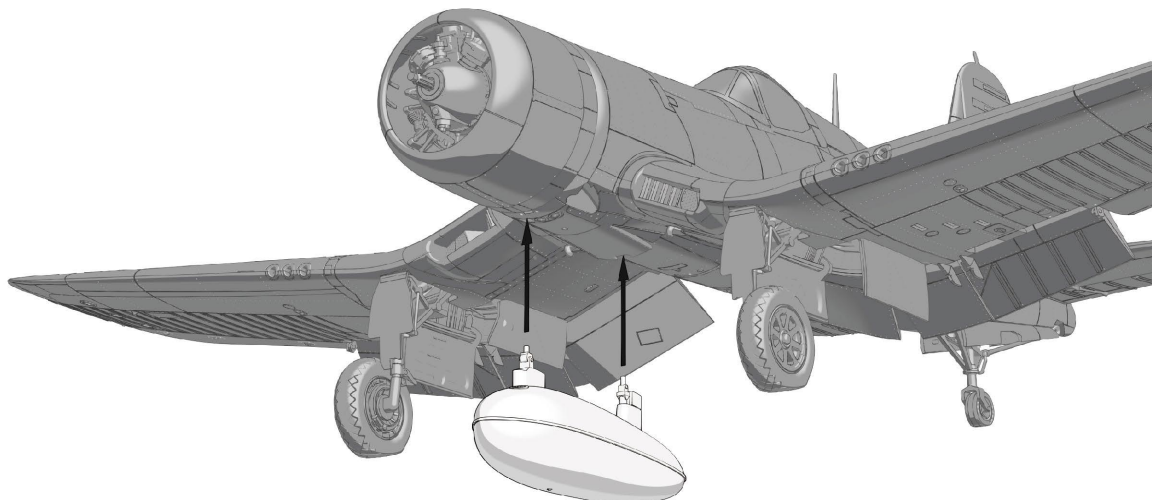
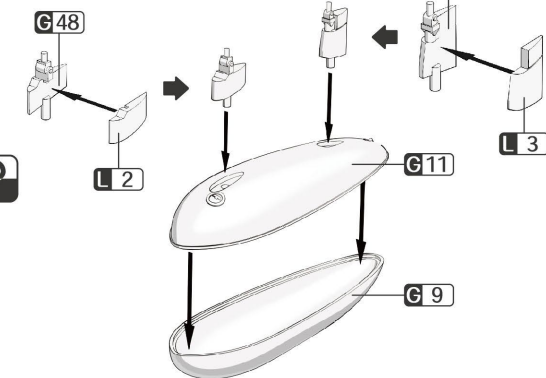


炸弹
Boom

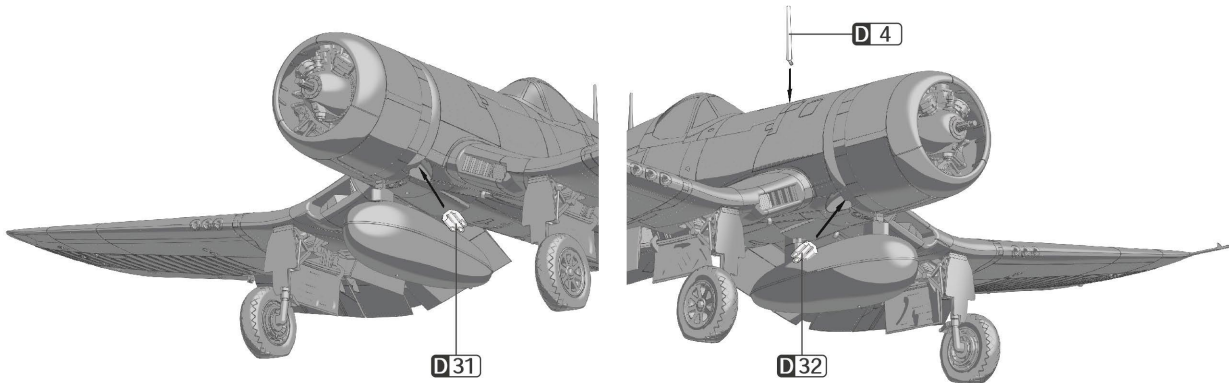
选择其一
Choose one



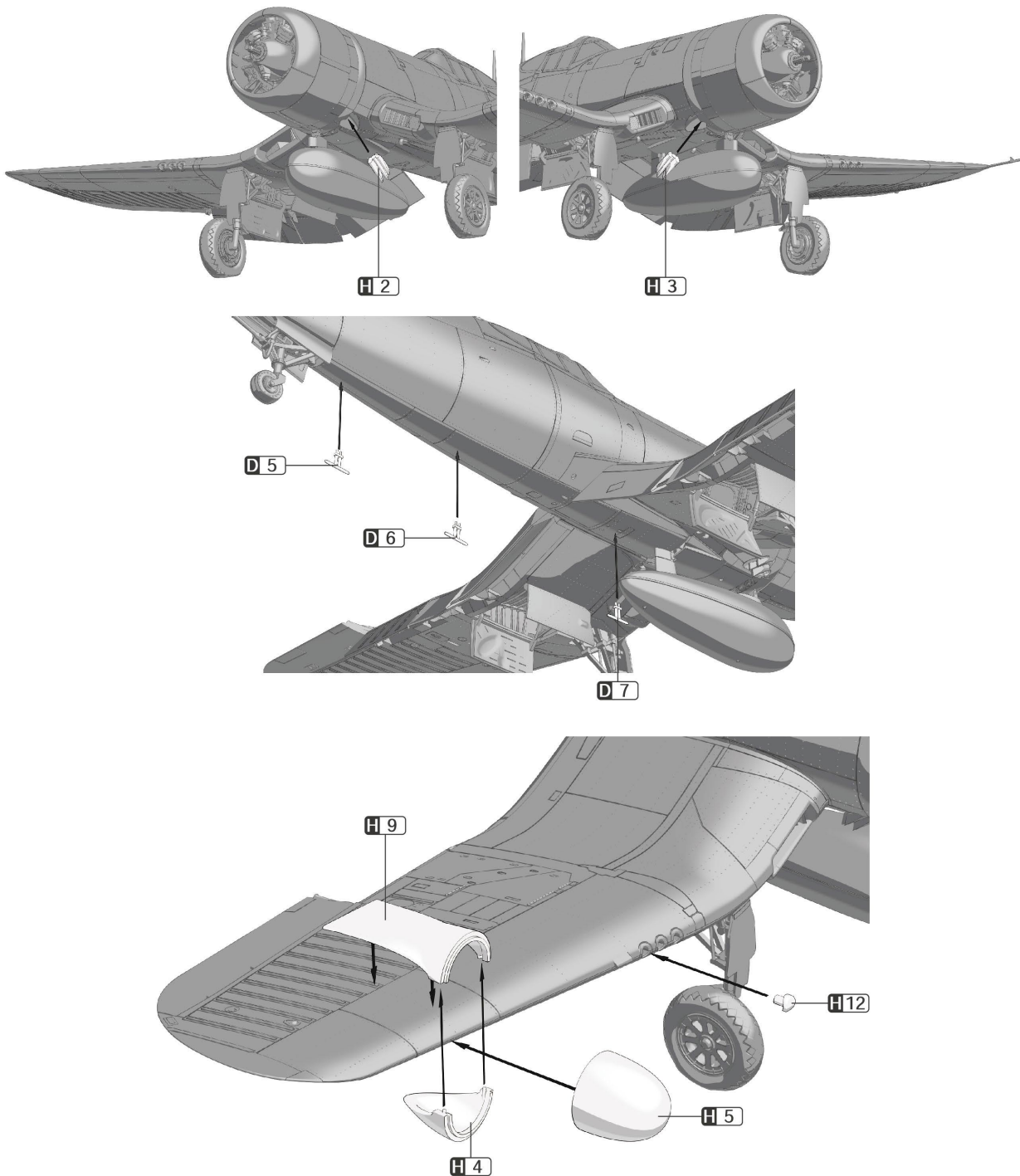
副油箱
Drop tank



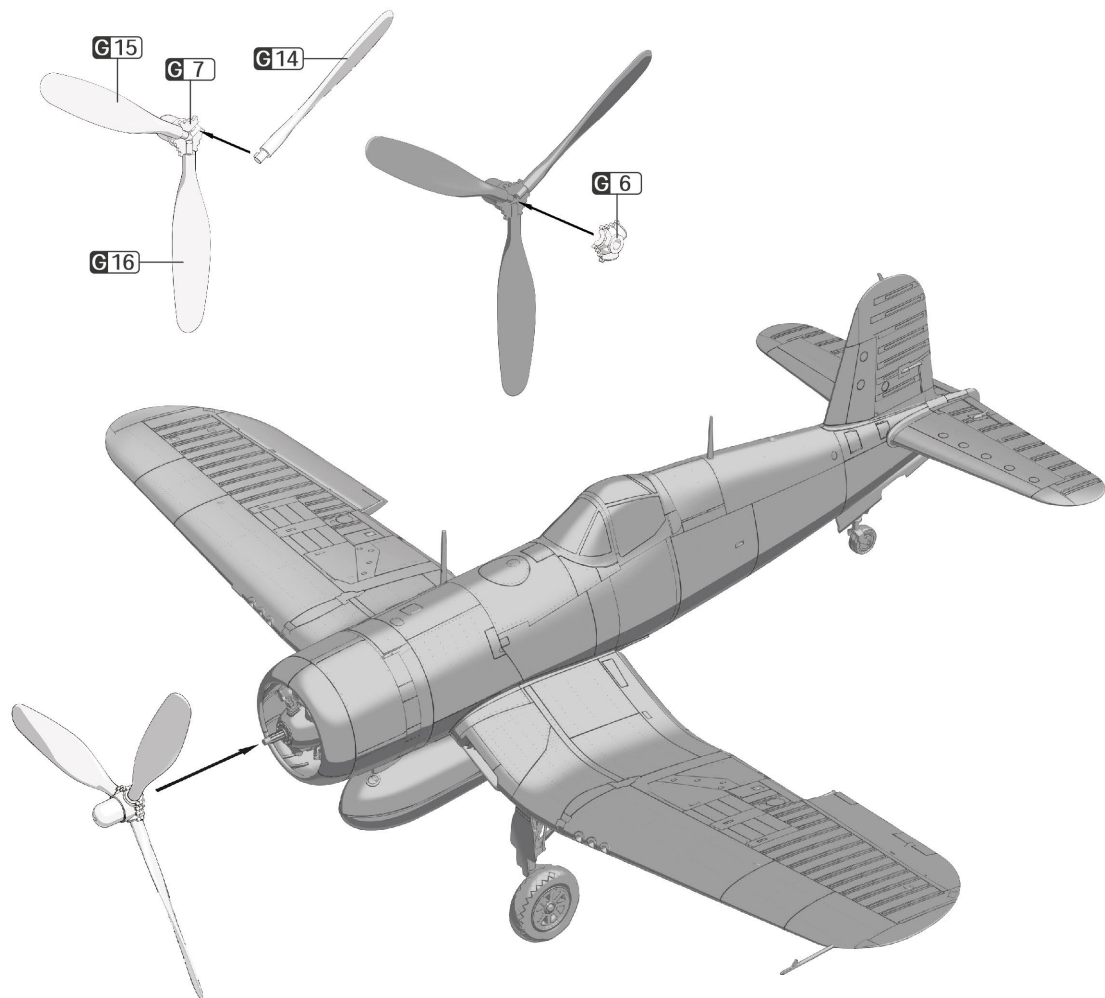
37. F4U-1A排气管组合
F4U-1A exhaust pipes attachment



38. F4U-2排气管、雷达组装及组合
F4U-2 exhaust pipes, radar assembly & attachment



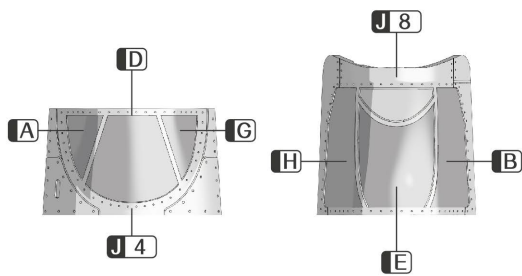
39. 螺旋桨组装及组合 Propeller assembly & attachment



40. 遮盖纸的使用 Masking tapes application

F4U-1A 选装
Choose when assembling F4U-1A

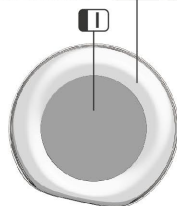
*请使用MASKING STICKER A
*Use MASKING STICKER A



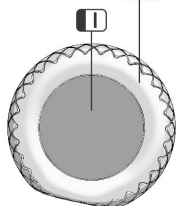
对称制作
Both sides

*选装
*Choose one type

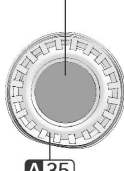
A58 ↔ A59



A62 ↔ A61



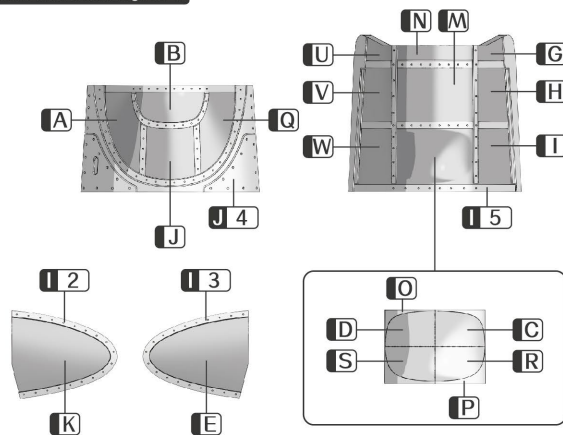
J ↔



A35

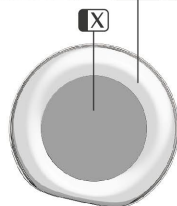
F4U-2 选装
Choose when assembling F4U-2

*请使用MASKING STICKER B
*Use MASKING STICKER B

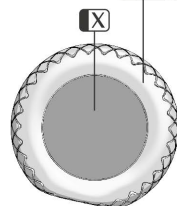


*选装
*Choose one type

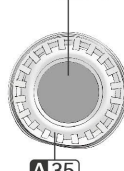
A58 ↔ A59



A62 ↔ A61

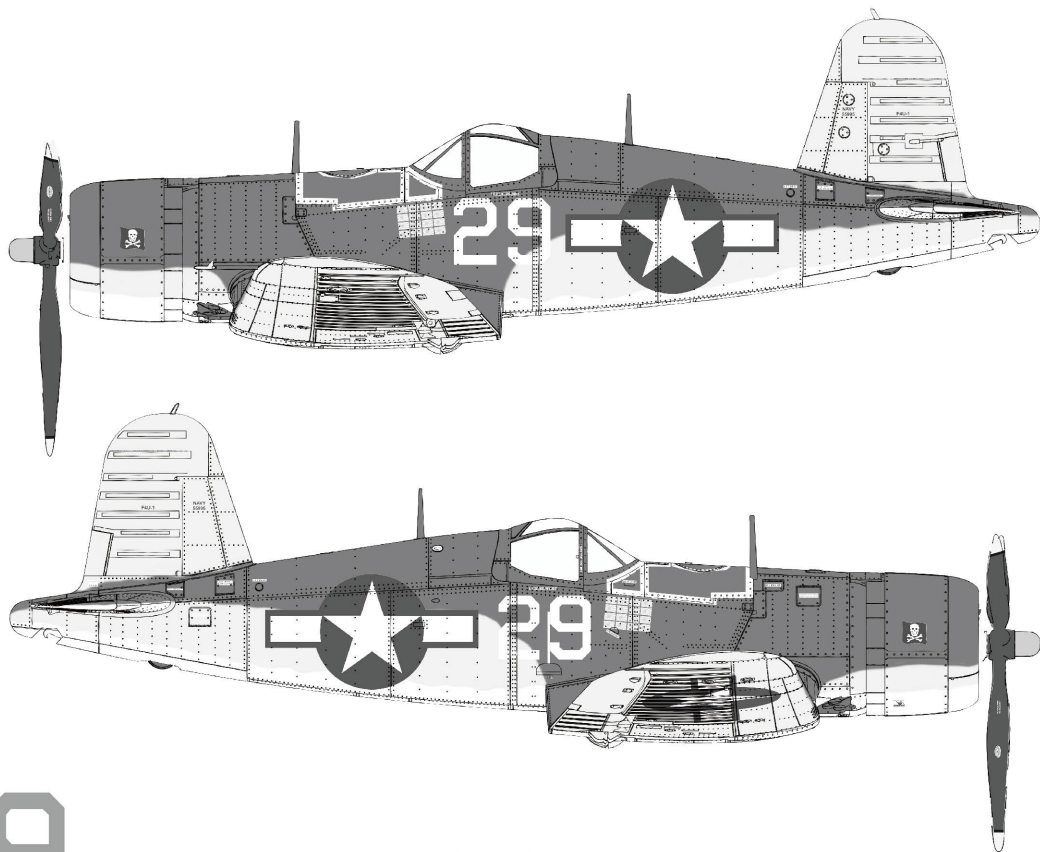


Y ↔



A35

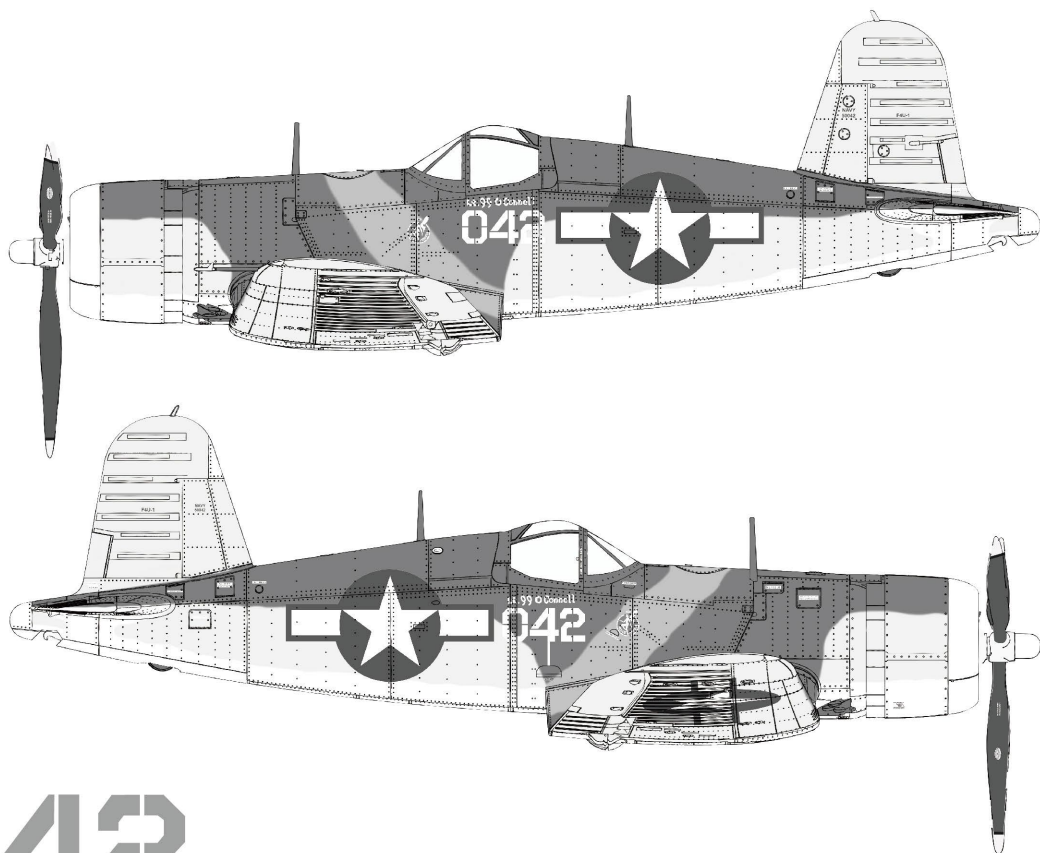
F4U-1A 涂装A
F4U-1A Painting scheme A



29

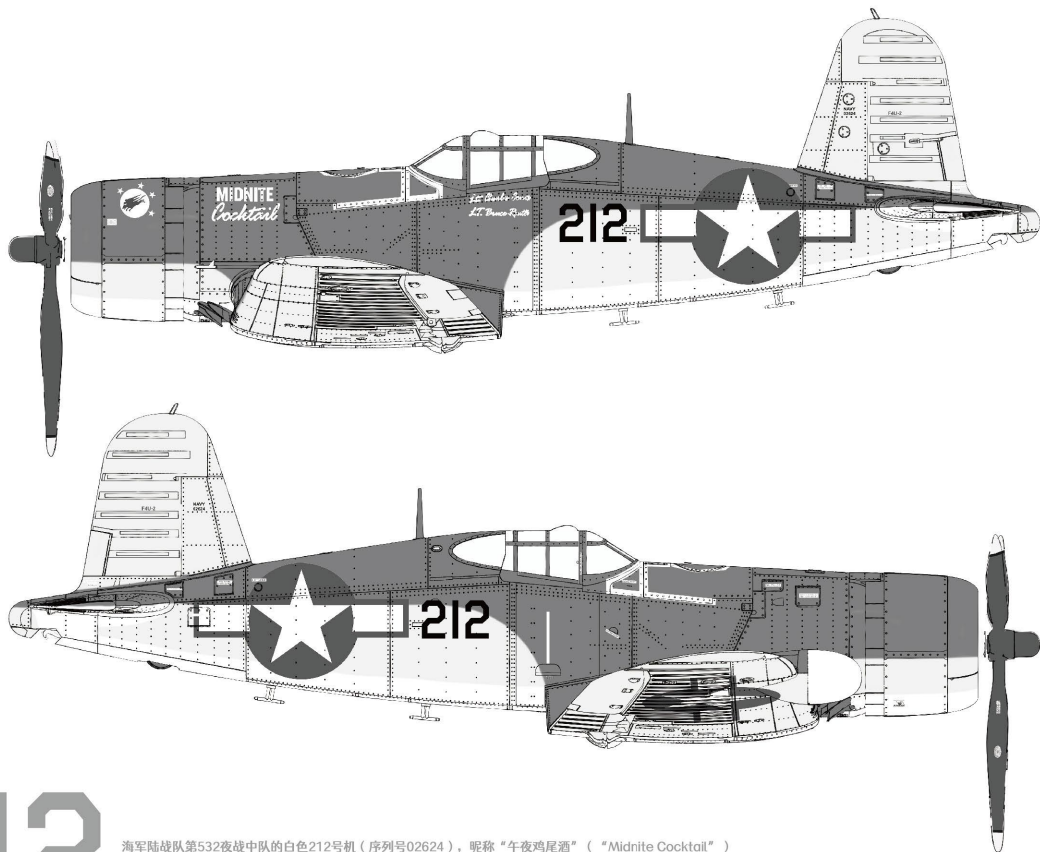
1944年2-3月间部署于新几内亚东端，邻近所罗门群岛的布干维尔岛的美国海军第17“海盗旗”战斗机中队头号王牌“艾克”-艾勒·卡西乌斯·凯普福特海军上尉（Ira Cassius “Ike” Kepford）驾驶的“白色29”号机，生产序列号55995
F4U-1A, “White 29” (BuNo. 55995) flown by Lt. Ira Cassius “Ike” Kepford, the top ace (total 16 kills) of VF 17 “Jolly Rogers”, U.S. Navy, Bougainville, East New Guinea, Feb.-Mar. 1944

F4U-1A 涂装B
F4U-1A Painting scheme B



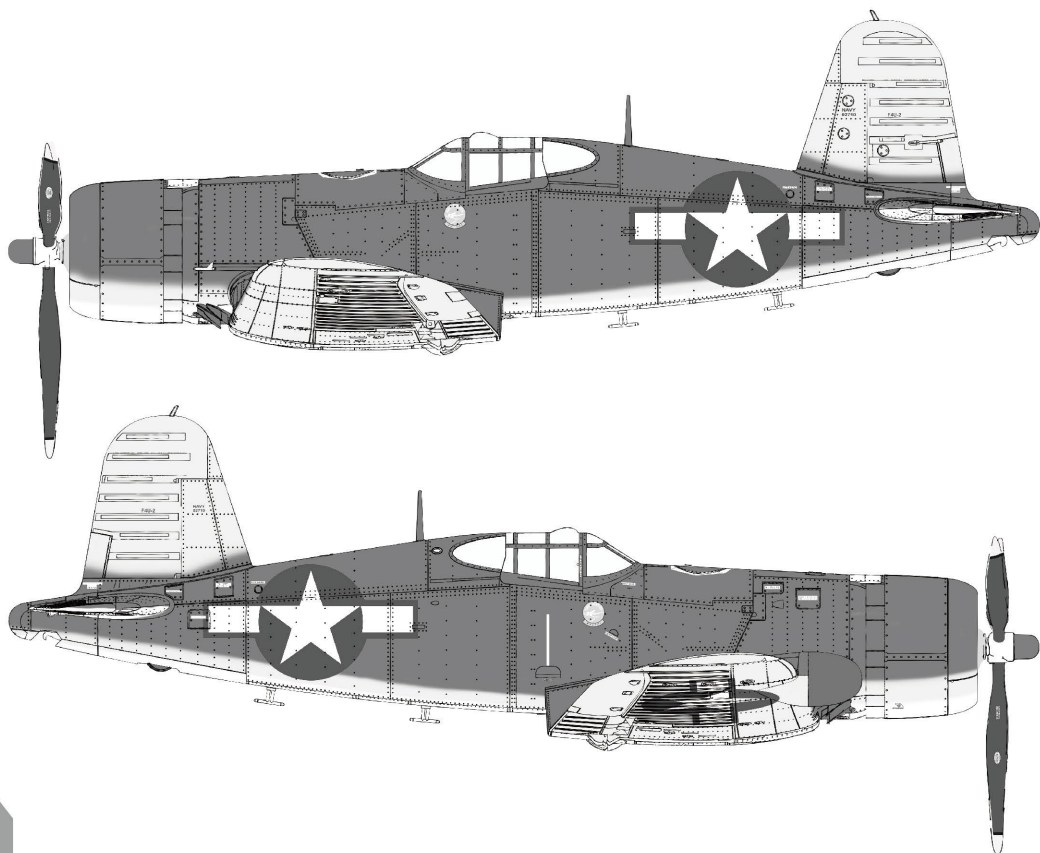
042

1944年7月部署于美国海军“夸贾林环礁”号护航航母（USS Kwajalein CVE-98）上海军陆战队第321“地狱天使”战斗机中队（VMF-321“Hell’s Angels”）的奥康内尔上尉（J.J.O’connel）驾驶的白色42号机，生产序列号50042
F4U-1A, “White 42” (BuNo.50042) flown by Lt. J.J. O’Connel, VMFA-321 “Hell’ s Angels”, USMC, USS Kwajalein (CVE-98), July 1944



212

海军陆战队第532夜战中队的白色212号机（序列号02624），昵称“午夜鸡尾酒”（“Midnite Cocktail”）该机原为卡尼夫少尉座机，1944年4月14日凌晨，霍华德·伯尔曼上尉驾驶该机在地面引导人员的配合下，击落了一架G4M一式陆攻F4U-2，“White 212”（BuNo.02624），nick name “Midnite Cocktail”，originally assigned to Lt. Caniff, but flown by Capt. Howard · W · Bollman, VMF(N)-532, USMC, shot down a Japanese Navy Mitsubishi G4M attacker with the cooperation of ground navigator over Kagman Field, Saipan, early morning of April 14, 1944



10

海军101中队10号机驻“企业”号涂装方案
F4U-2, No.10, U.S. Navy VF(N)-101, USS Enterprise Carrier

MAGIC 
FACTORY

