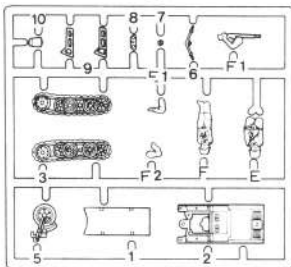
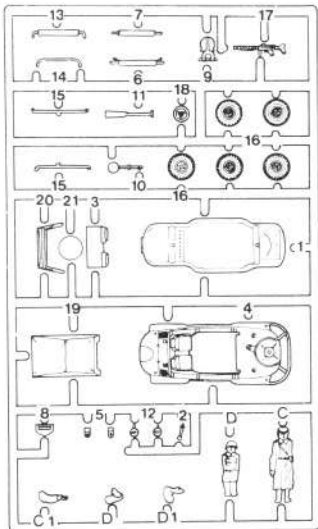


Parts Drawing (Before removing the parts from the stem,  
be sure to check them with the drawing.)



### Parts No. and Description

Schwimmwagen	Kettenkraftrad
1. Body bottom	1. Body bottom
2. Gear shift lever	2. Body top
3. Seat	3. Track (left)
4. Body top	4. Track (right)
5. Window parts	5. Front wheel
6. Front shaft	6. Handle
7. Rear shaft	7. Light
8. Screw parts	8. Instrument panel
9. Screw	9. Railing
10. Shovel	10. Body parts
11. Oar	Figure A: E
12. Light	Figure B: F
13. Exhaust pipe	Parts for figure: E1
14. Railing A	Parts for figure: F2
15. Railing B	
16. Tire	
17. Machine gun	
18. Steering wheel	
19. Hood (opened)	
20. Hood (folded)	
21. Figure mounting	
Parts for figure: C1, D1 and D2	

After the parts are taken,  
cut the bag in pieces to  
prevent the infant from  
covering it's head.

### Decal

1. Place in water and remove it immediately.
2. With the decal facing up, slide it off.
3. After placing the decal on the model, use soft cloth to remove the bubbles.
4. Do not touch the decal until it is well dried.

# SCHWIMMWAGEN & KETTENKRAFTRAD

1/72 SCALE



### Schwimmwagen

Utilizing the basic components of Volkswagen, this amphibious vehicle was designed by Dr. Ferdinand Porsche. For water propulsion, the propeller was lowered and engaged by means of a hook. Steering in water was by the front wheels. For suspension, the front and back were equipped with torsion bar, and waterproof treatment was done throughout. Schwimmwagen, alike Kübelwagen, served as reconnaissance and liaison purpose making use of its reliable performance, lightweight and mobility.

Length: 3.82 m / Width: 1.48 m / Height: 1.61 m / Engine: Air-cooled horizontal counter 4 cylinder, 1,131 cc / Max. speed: Land 75 km/h, water 12 km/h

### Kettenkraftrad

This vehicle was first intended for the parachute and air-borne unit as their light half-track to make air transportation easy for its compactness. Primarily this motorcycle tractor was intended to tow the light artillery and also served all warfronts in transporting ammunitions for light weapons. Especially it's merit was exemplified in the Russian front. The remodeled Kfz 2/1, Kfz 2/2 are equipped with communication wire reel.

Length: 3.00 m / Width: 1.00 m / Height: 1.20 m / Engine: Opel 4 cylinder 1,478 cc / Max. speed: 80 km/h

### Before Assembling Your kit

- Read these instructions carefully before assembling your model and check the exact fit of the parts.
- Clean off excess plastic, if any, with a sharp knife or a file.
- Do not tear off parts from the stem, but cut them off carefully with a knife or clipper.
- Do not use too much cement since surplus adhesive spoil the finish.

### Model Colors

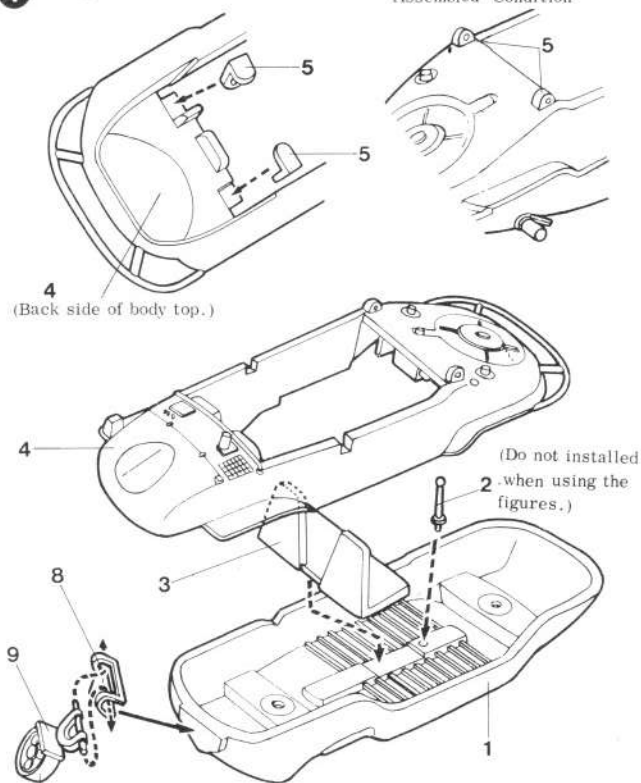
To beautify your model, paint each parts carefully. The model colors are from ① - ④. Use wide brush to paint the wide area and the pointed brush for tiny parts.



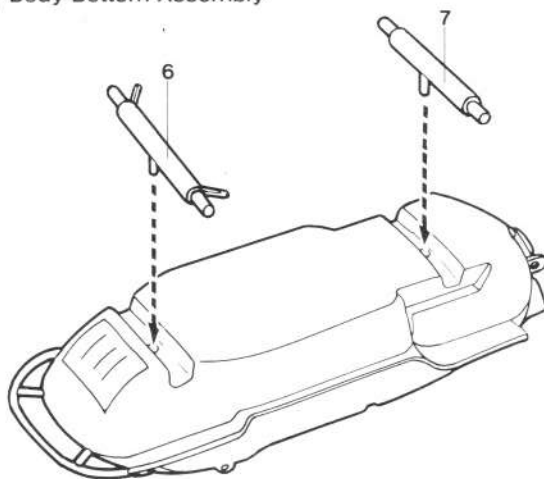
## SCHWIMMWAGEN ASSEMBLY

### 1 Body Assembly

Assembled Condition

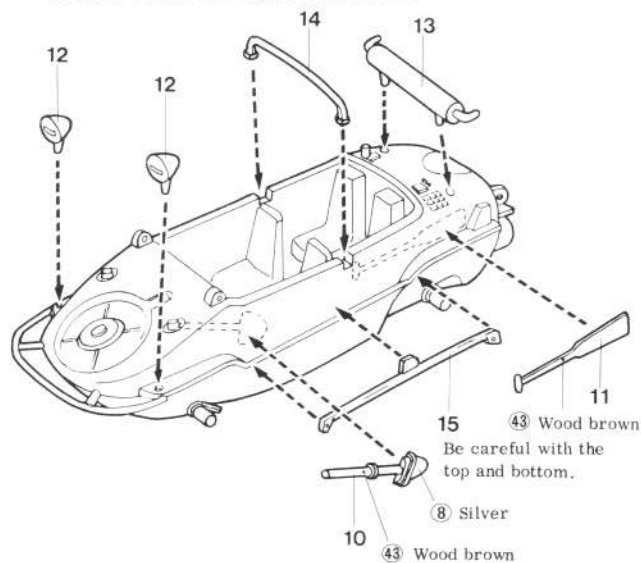


### 2 Body Bottom Assembly



### 3 Parts Cement (1)

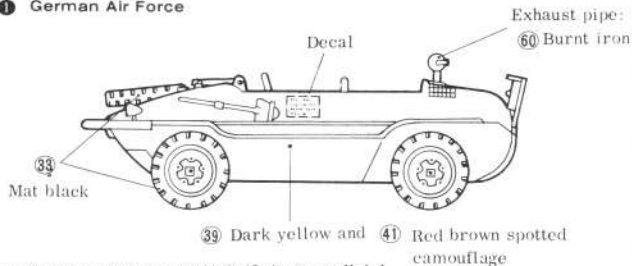
★ Check with the drawing and then cement.



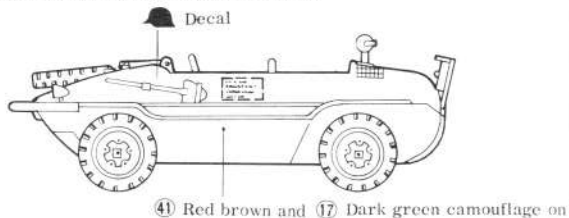


## Schwimmwagen Painting

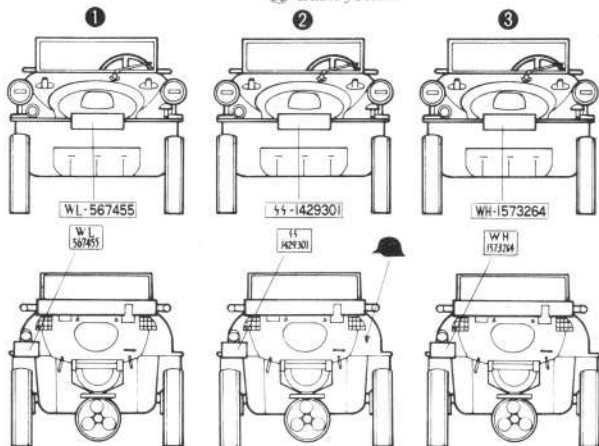
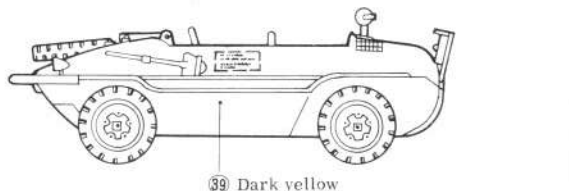
### 1 German Air Force



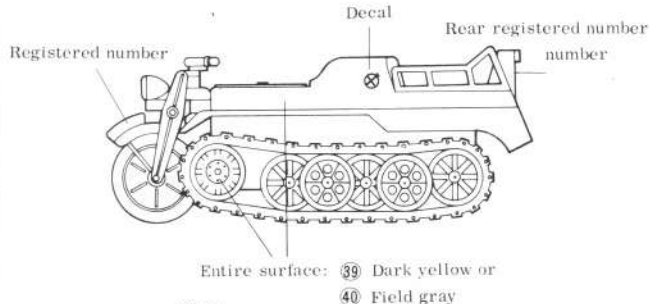
### 2 German Bodyguard Unit (Schutz-staffeln)



### 3 German National Defense Force



## Kettenkraftrad Painting



Registered Number

1 WL-81584

Rear registered Number  
WL 81584

German Air Force

39 Dark yellow

2 44-1429390

44 1429390

German Bodyguard Unit (Schutz-staffeln)

39 Dark yellow

3 WH1029390

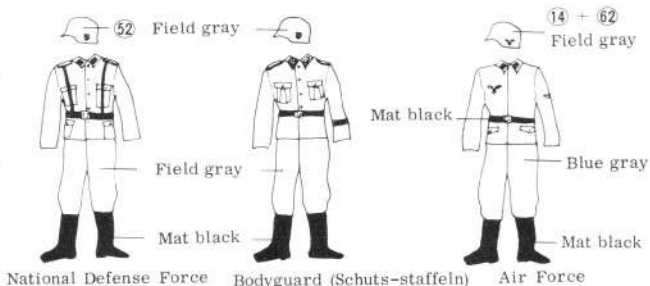
WH 1029390

German National Defense Force

40 Field gray

### Painting

After February 1943, the colors on all of the German military vehicles were changed to dark yellow. For the camouflage purpose, olive drab and red brown were added according to the geographic condition of the warfront. These colors were either sprayed, brushed or splashed on. There were many types of camouflage---inkspot, stripes, zig-zag. In the winter, winter white (grayish white) was brushed on, but as it was water paint, it worn off and became the camouflage of white and the base color. In the spring of 1945, German gray was used on only the heavy tanks and artilleries. To draw out the real feeling, the model should have a dirty appearance; the gloss must be removed and chassis be painted in sandy or brown.



WL-567455

WV  
147346

WV  
81584

wp-57584

wp-57584



ff-1429301

ff  
142931

ff  
142932

q-147932p

q-147932p



wp-157932p

wp-157932p

WH-1573264

WH  
1573264

WH  
1573265



MADE IN JAPAN