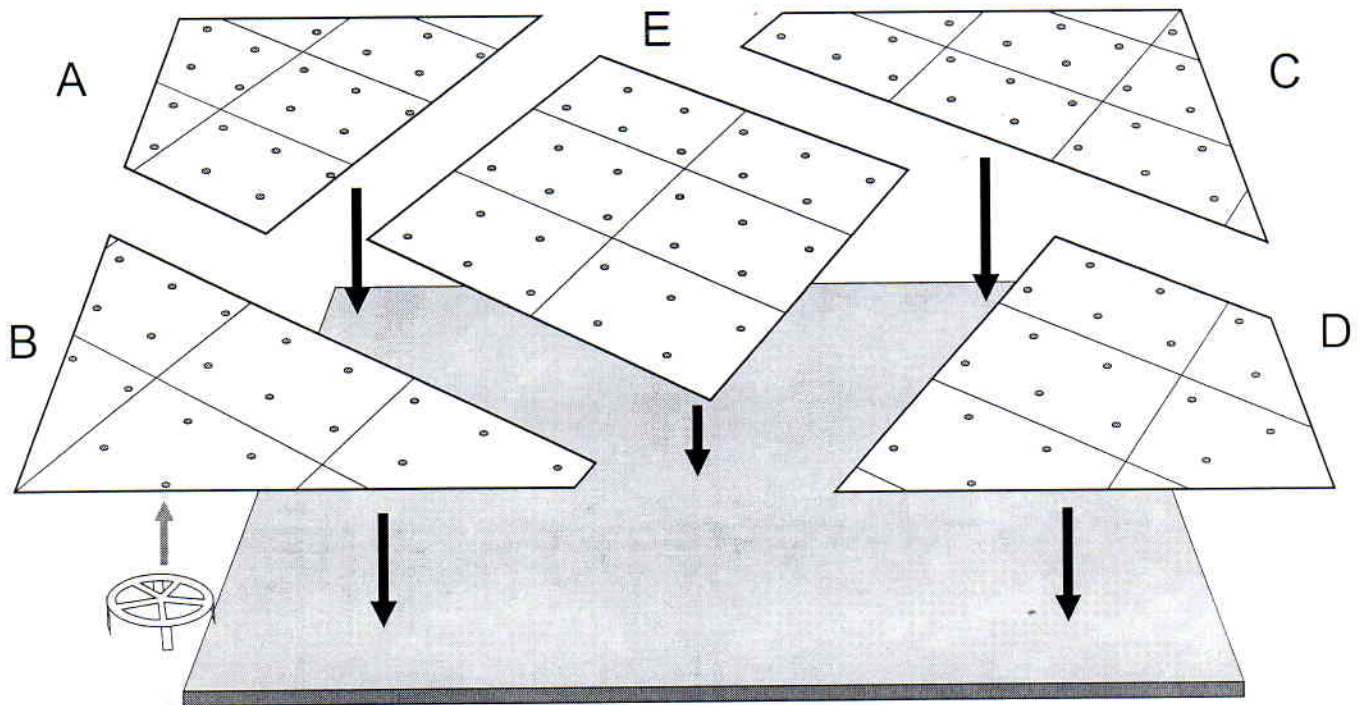
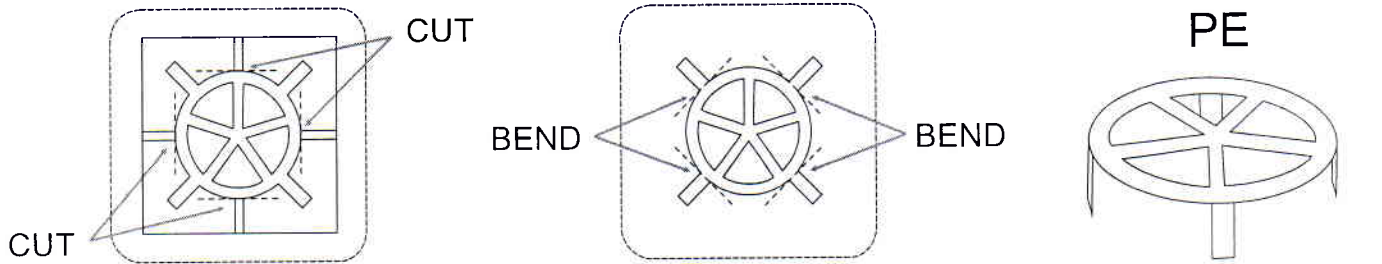


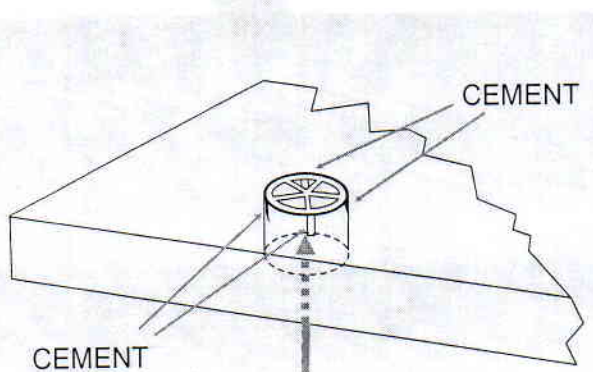


USN CARRIER DECK

Dream Model was born. The unique direction lets us go together. Now dream begins. We believe everyone has a dream no matter what it is, good or bad, big or small. If it is only in mind, it is only a dream. Not every dream comes true because too many people just say "I have a dream". That's ok. We have dreams until one day we suddenly find 'we gotta do something'. Our dream is big, but it has started. Let's move!



Not Include
(500mm X 350mm)



First, cover the surface of deck with No 500 primer! (Attention: Surface side is the one which have lines incised.) Then, put on the photoetched parts, and make sure they level the surface. After all, paint the whole thing with deck gray H333/C333/XF-24