



Cement Parts
Coller
Kleben
Pegar
Incollare
Colar
Kleben



DO NOT cement
Ne pas coller
Nicht kleben
No pegar
Non incollare
Nao colar
Niet kleven



Cut away
Couper
Scheiden
Cortar
Tagliare
Cortar
Snijden

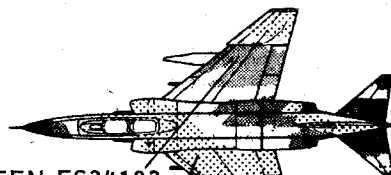
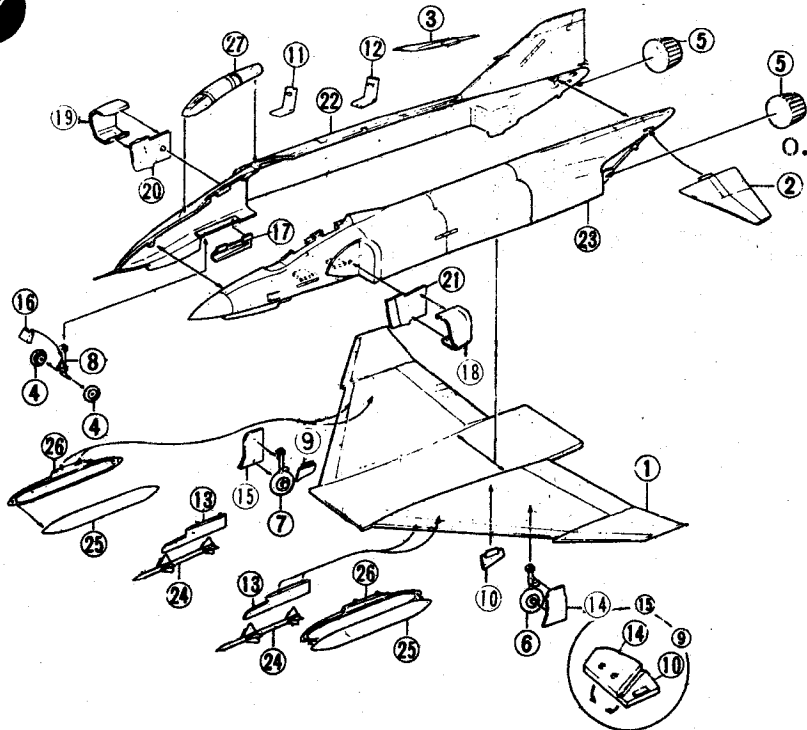


Optional parts
Choix
Auswahlmöglichkeit
Elección
Scelta
Opcao
Keuze



3

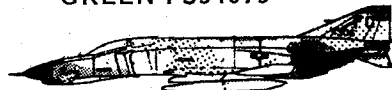
Repeat operation
Répéter l'opération
Vorgang wiederholen
Repitir la operacion
Ripetere
Repitir a operacão
Herhalen



O.D. GREEN FS34102

TAN FS30219

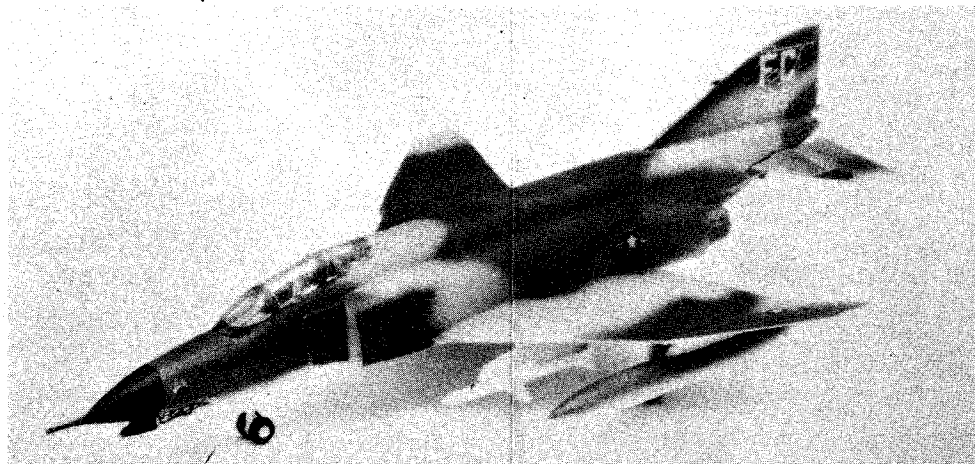
GREEN FS34079



GRAY FS36622



1625



One of the finest combat aircraft to race through the skies is the McDonnell Phantom II. For more than two decades this lean fighter has proven itself in combat from Vietnam to the Middle East.

The Phantom was originally designed for the United States Navy as a supersonic carrier-based interceptor. However, its performance was superior to that of most Air Force fighters, so it was soon adopted by the USAF.

The Navy's Phantoms were armed only with missiles, such as the Sparrow and the Sidewinder; no guns were mounted. The Air Force needed guns for the role in which their Phantoms were to perform, and used gun pods mounted beneath the wings. Unfortunately, the pods were not successful and a new nose containing a Vulcan rotary cannon was designed for the Air Force planes. This gun proved very accurate for air-to-air combat and the plane could still carry the missiles.