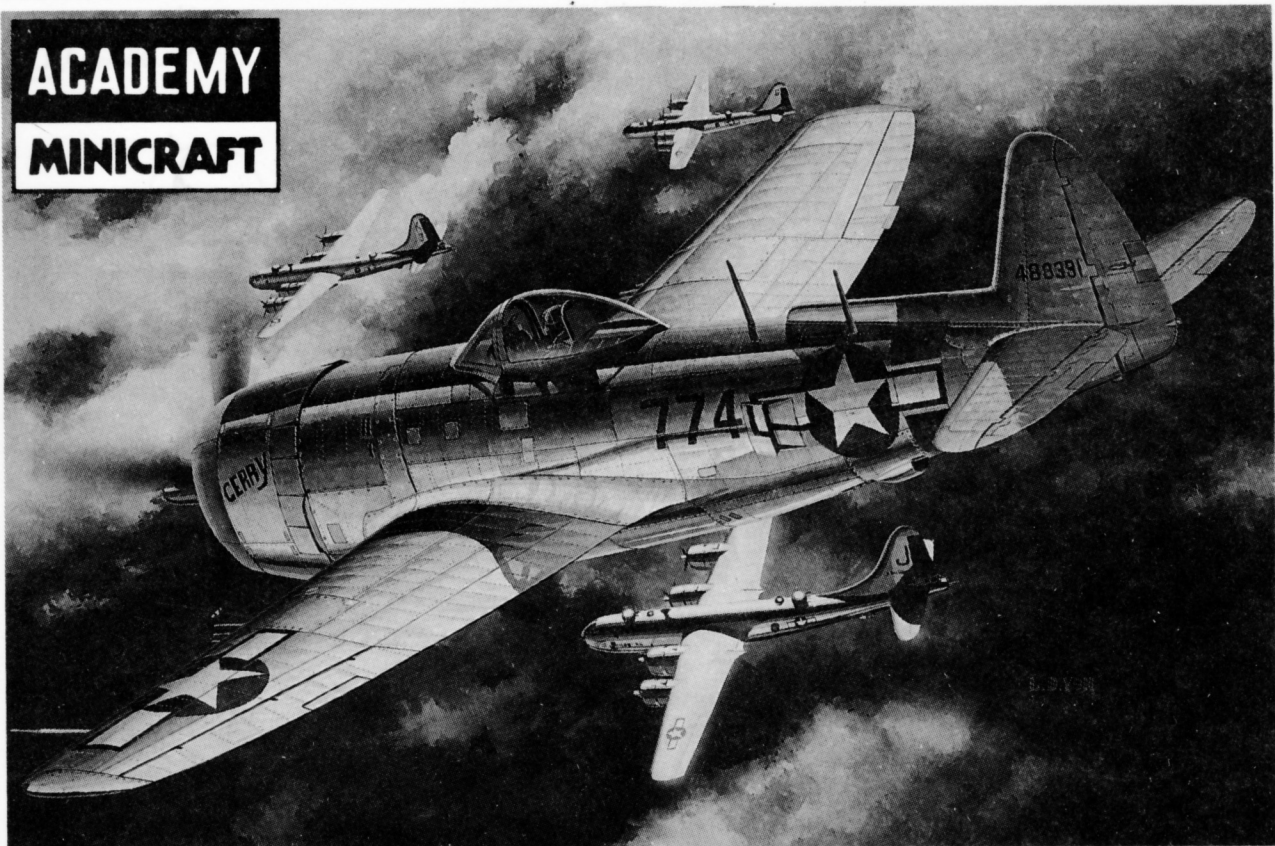


**ACADEMY**

**MINICRAFT**



**1/48th SCALE**

## **REPUBLIC P-47N THUNDERBOLT**

If you consider that a fully loaded A6-M5 Zero weighed 6,000 pounds while an "N" with a full load weighed in at 20,700 pounds, you will have some idea of how massive this big radial engine fighter really was. Without doubt, the P-47N was the biggest single-piston engine fighter ever manufactured and one of the fastest!

Entering into production late in 1944, the "N" only saw limited action in the European theatre, but it did contribute heavily to the air superiority the US enjoyed in the Pacific. Flying out of Ie Shima, Iwo Jima and Okinawa its range of 2,000 miles enabled it to provide bomber support to the B-29s attacking Japan on a daily basis in early 1945. The expanded fuel capacity of 556 gallons allowed the plane to fly missions extending as long as 12 hours. To offset pilot fatigue on these long flights, the "N" had sophisticated automated power setting controls that almost let the pilot sit back and enjoy the flight. On long over-water flights, an auto-pilot took over the controls.

### **SPECIFICATIONS**

Wingspan:	42', 6.3"	Length: 36', 1.5"	Height: 14', 6"
Weights:	Empty - 10,988 #	Gross - 13,823 #	Loaded - 20,700 #
Speeds:	Maximum - 467mph at 32,000 feet		Landing - 98 mph
Range:	Maximum - 2,000 miles at 25,000 feet		Normal - 800 miles
Ceiling:	43,000 feet	Internal Fuel Capacity:	556 Gallons
Armament:	8-.050 caliber machine guns, 10-5' rockets, up to 3-1,000# bombs		

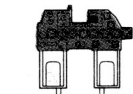
**2155**

# ① COCKPIT ASSEMBLY

\* Cockpit interior color: Interior Green

## ■ Instrument panel:

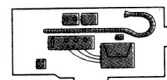
Flat black with silver details.



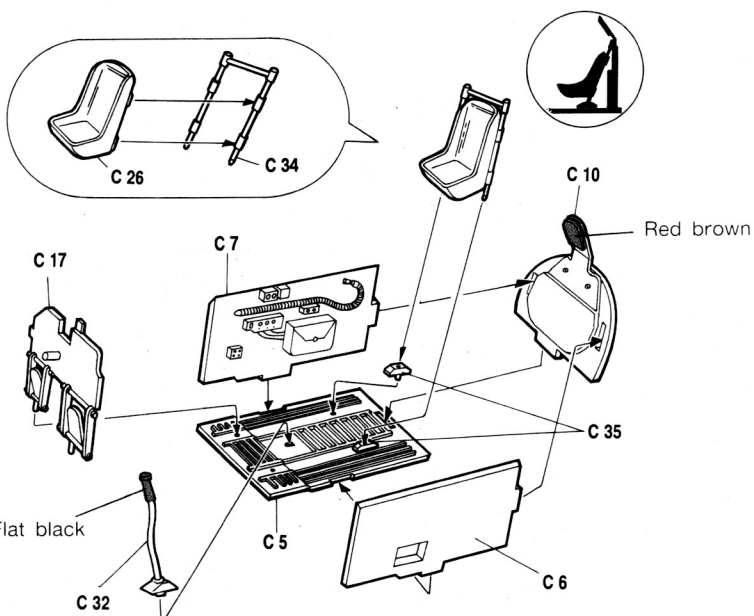
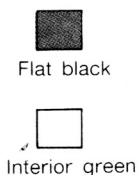
C17



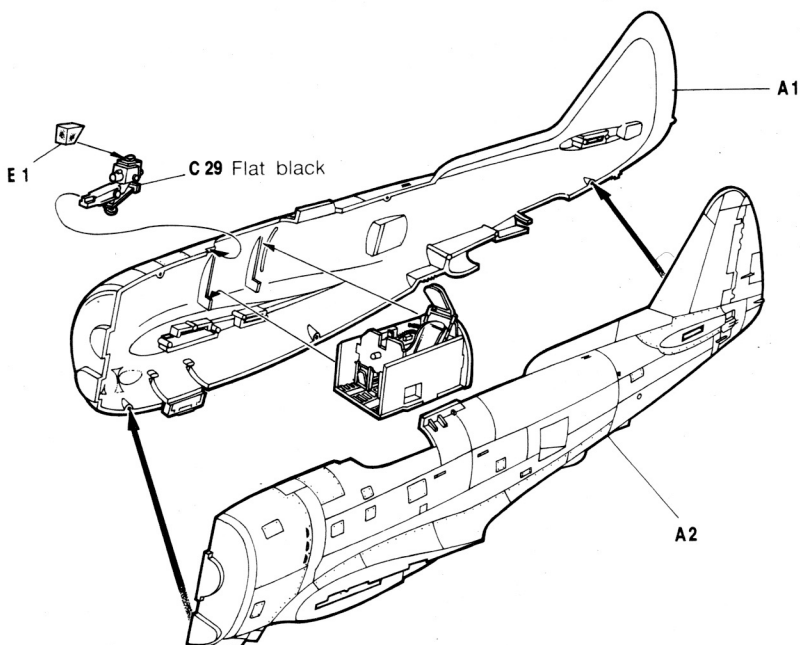
C6



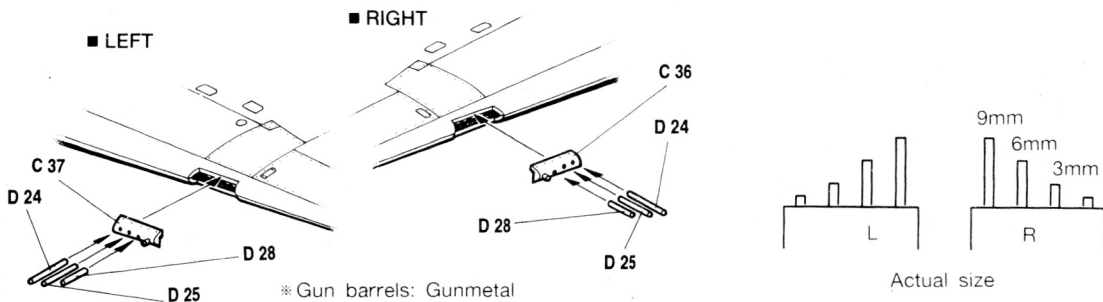
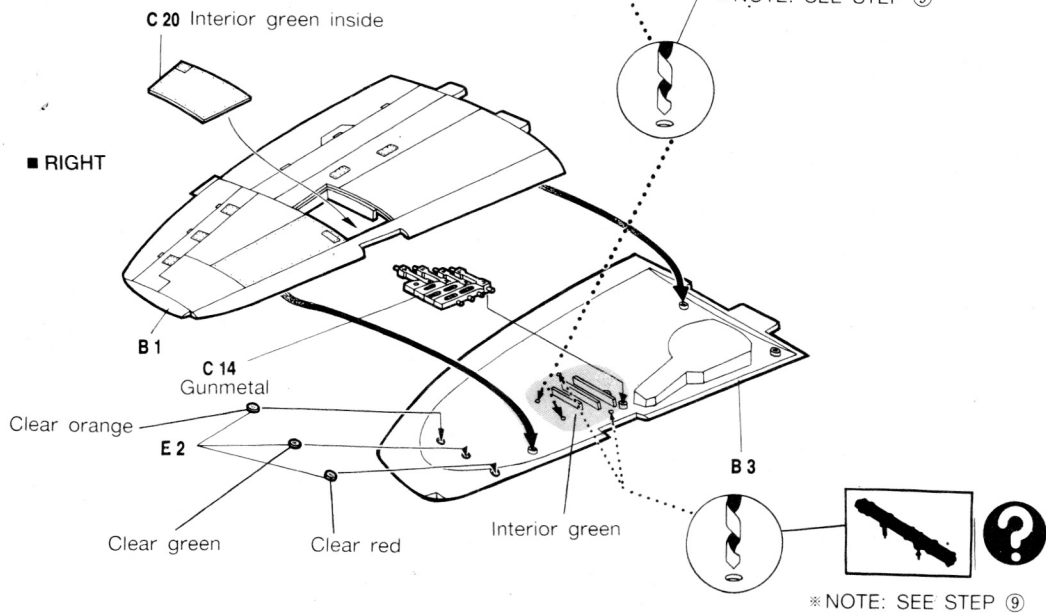
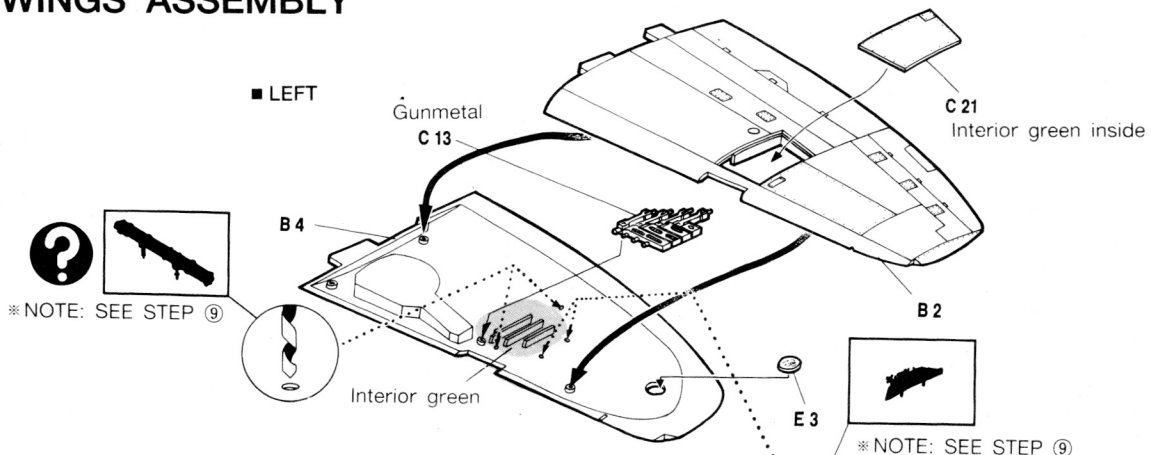
C7



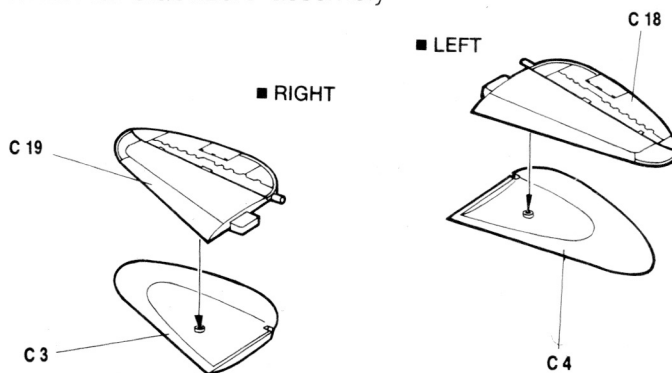
# ② FUSELAGE ASSEMBLY



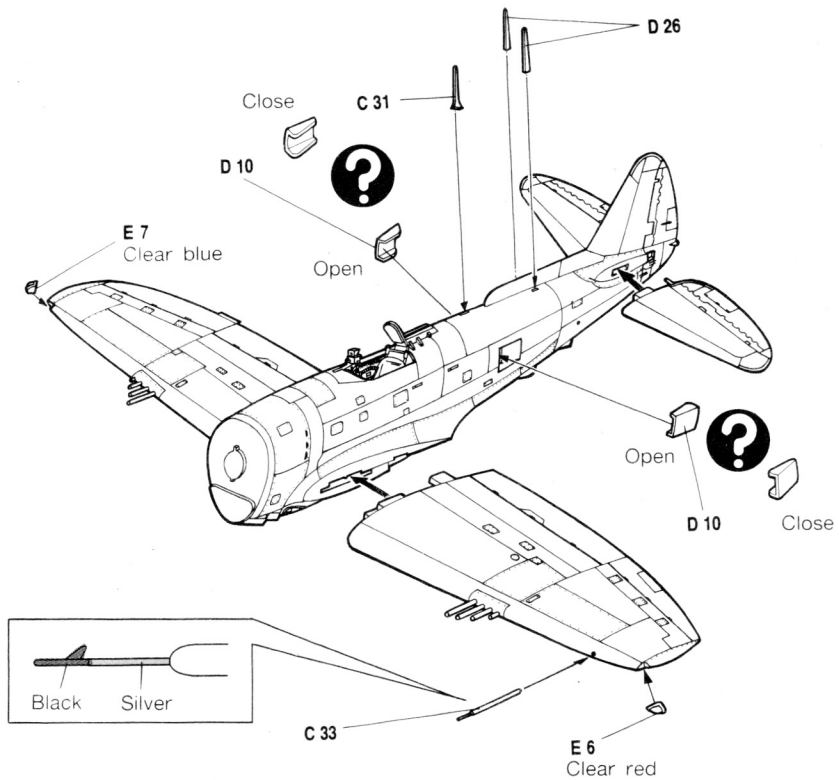
# ③ WINGS ASSEMBLY



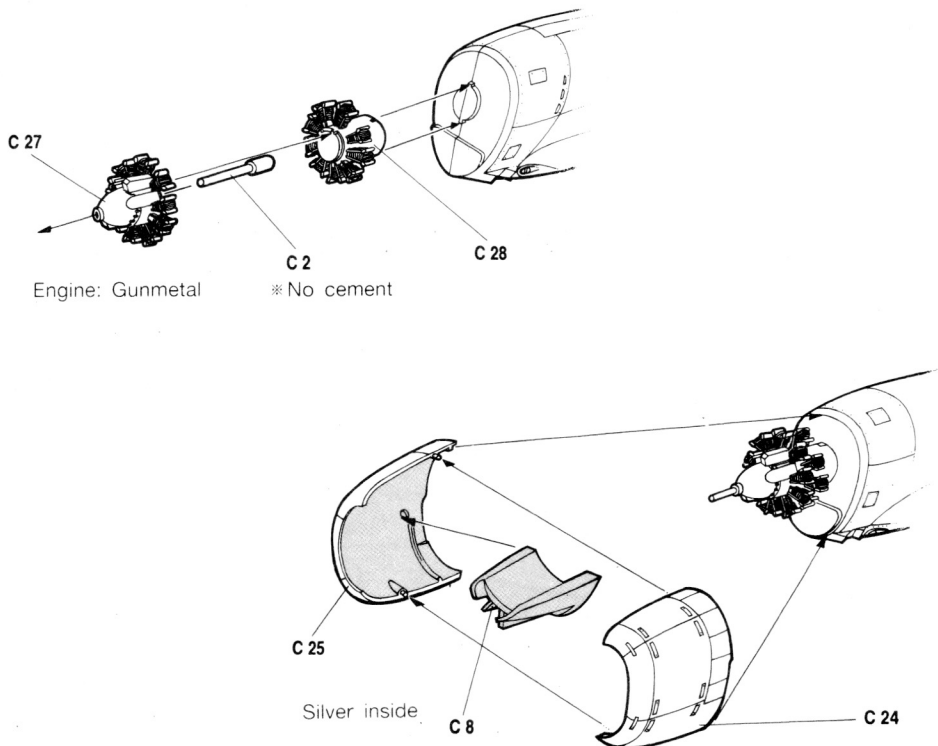
## ■ Horizontal stabilizers assembly



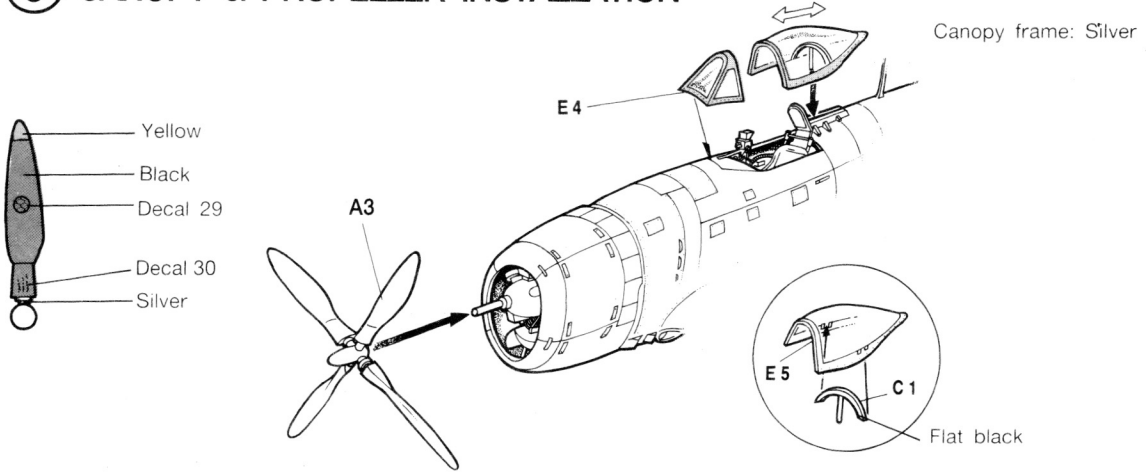
# ④ WINGS INSTALLATION



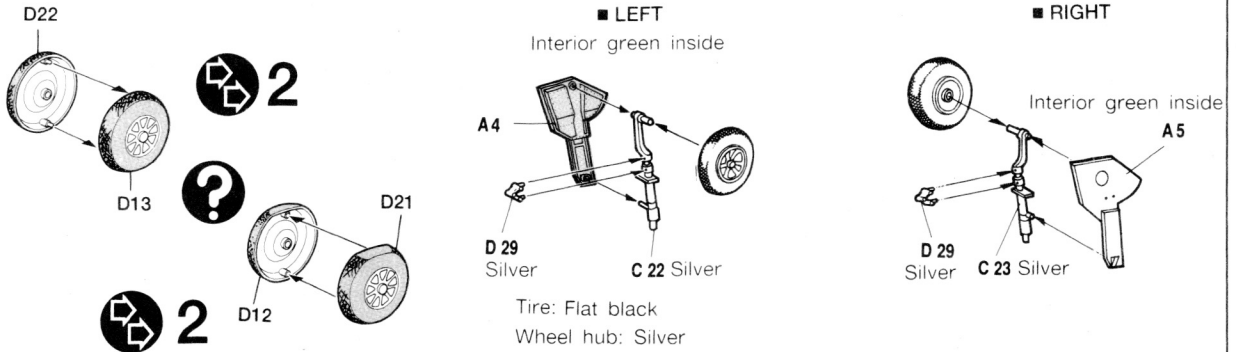
# ⑤ ENGINE ASSEMBLY



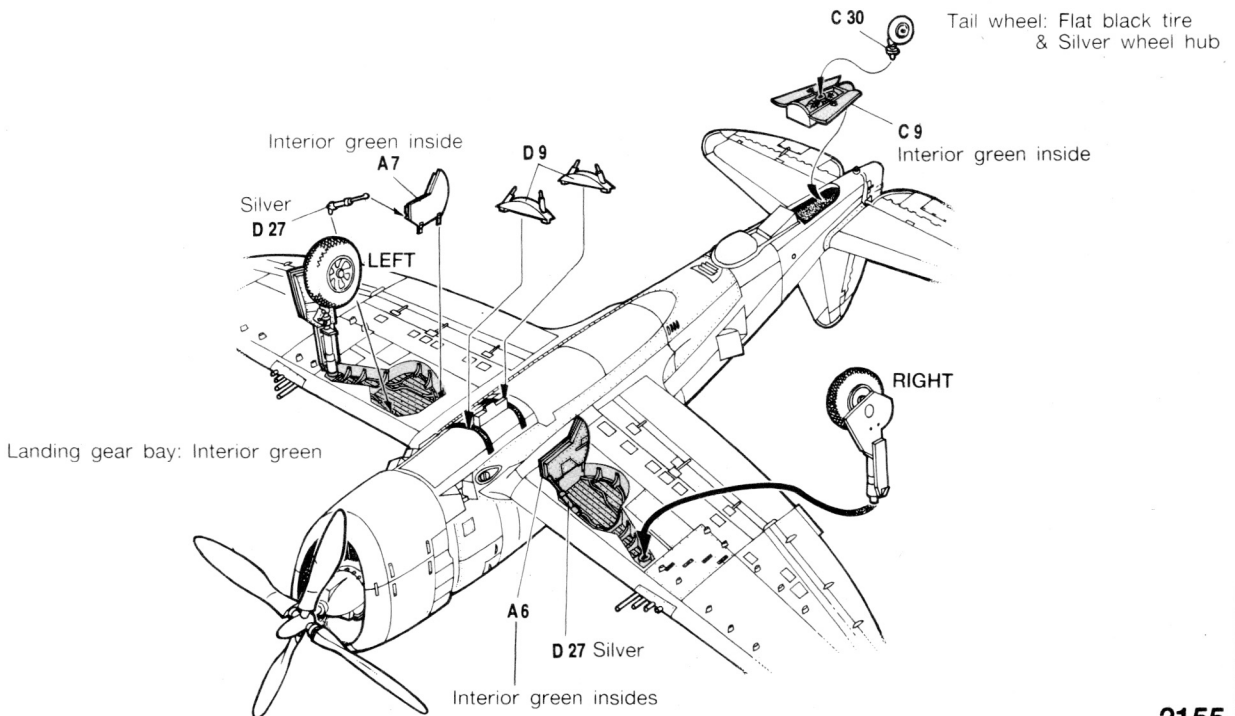
# ⑥ CANOPY & PROPELLER INSTALLATION



# ⑦ LANDING GEARS ASSEMBLY

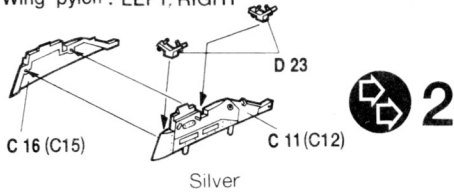


# ⑧ LANDING GEARS INSTALLATION

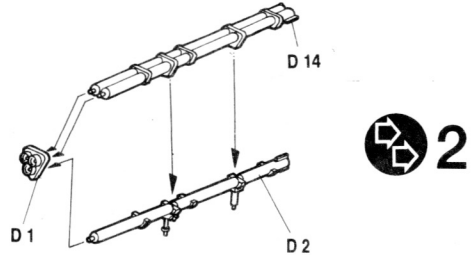


# 9 FUEL TANKS & ARMAMENTS ASSEMBLY

■ Wing pylon : LEFT, RIGHT

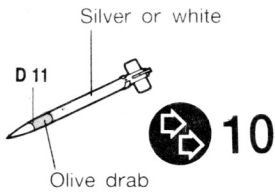


■ 4,5 inch Rocket launcher

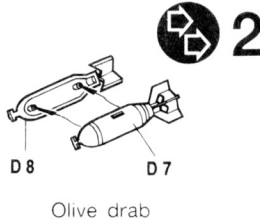


Silver or Olive drab

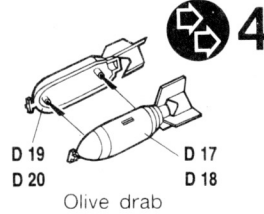
■ 5inch HVAR



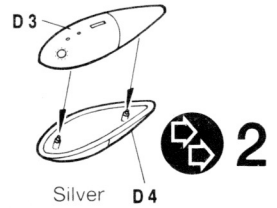
■ 500 lb Bomb



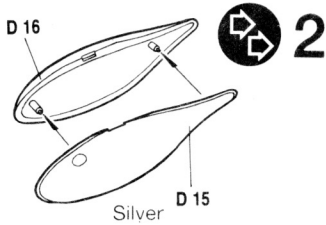
■ 1000 lb Bomb



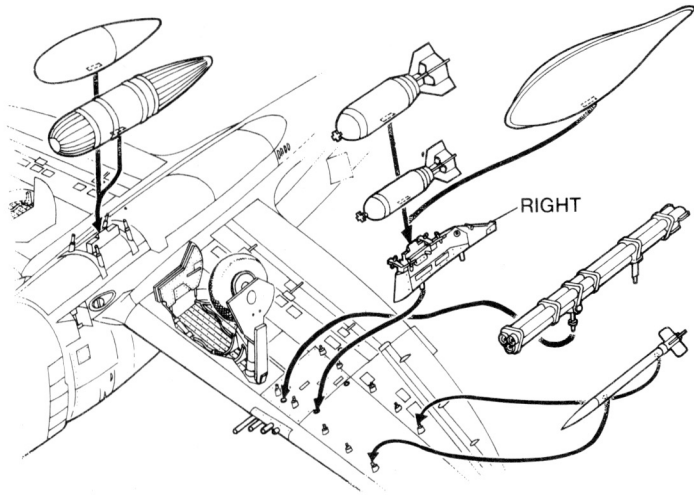
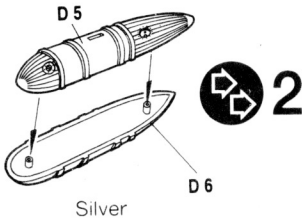
■ 75 gal Fuel tank



■ 150 gal Fuel tank

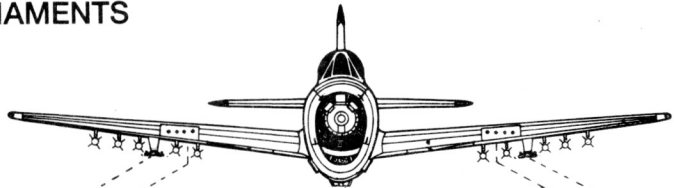


■ 108 gal Reinforced paper fuel tank



\* NOTE: When the 5inch HVAR installed, not use the 4.5inch Rocket launcher.

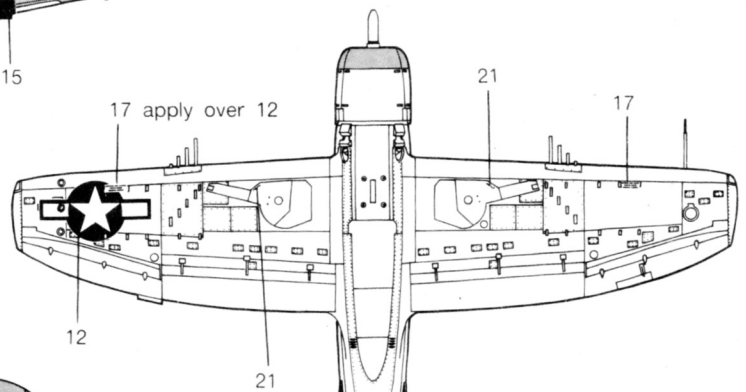
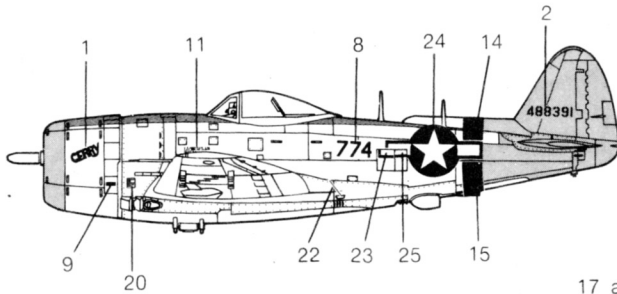
## LOCATING DIAGRAM OF ARMAMENTS



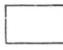


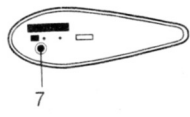
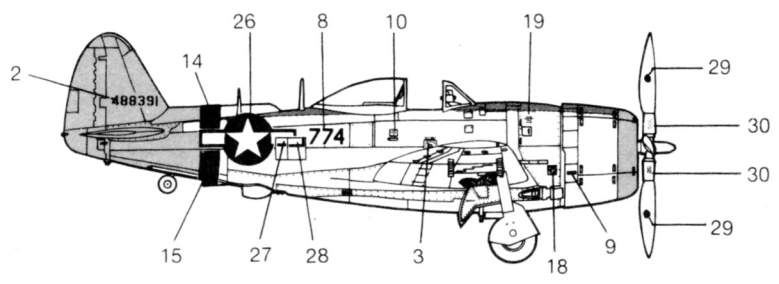
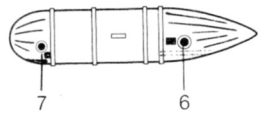
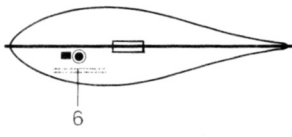
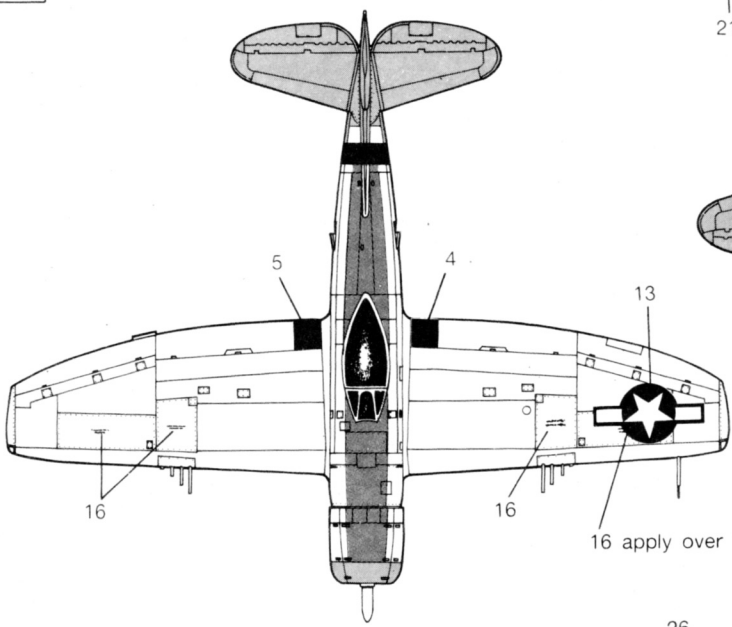
75 gal. Tank	○	○	○
108 gal. Tank	○	○	○
150 gal. Tank	○	×	○
1000 lb. Bomb	○	○	○
500 lb. Bomb	○	○	○
4.5 inch Rocket launcher	○		○

# PAINTING & DECAL PLACEMENT

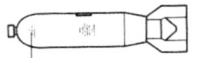
P-47N-5-RE, 456th fighter squadron,  
414th Fighter group, August 1945, Iwo Jima



-  Yellow
-  Olive drab
-  Silver



(37) (38)



(33) (34)

**ACADEMY**  
**MINICRAFT**

ENGLISH	FRENCH	GERMAN	SPANISH	ITALIAN
BLACK	NOIR	SCHWARZ	NEGRO	NERO
SILVER	ARGENT	SILBERN	PLATA	ARGENTO
GUNMETAL	METALLIC	METALLIC	METALLICO	METALLICO
RED	ROUGE	ROT	ROJO	ROSSO
YELLOW	JAUNE	GELB	AMARILLO	GIALLO
BLUE	BLEU	BLAU	AZUL	BLU
GREEN	VERT	GRÜN	VERDE	VERDE
BROWN	BRUN	BRAUN	MARRON	MARRONE

© 1995 Minicraft Models Inc.


2155




Constant Parts  
Coller  
Kleben  
Pegar  
Incollare  
Color  
Kleben



Do Not Constant Parts  
Ne Pas Coller  
Nicht Kleben  
No Pegar  
Non Incollare  
Nicht Coller  
Niet Kleben



Cut Away  
Couper  
Scheren  
Cortar  
Tagliare  
Cortar  
Snyden



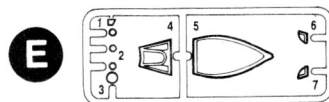
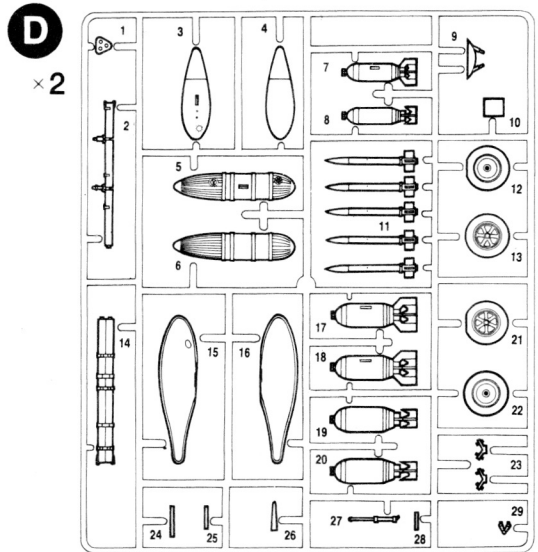
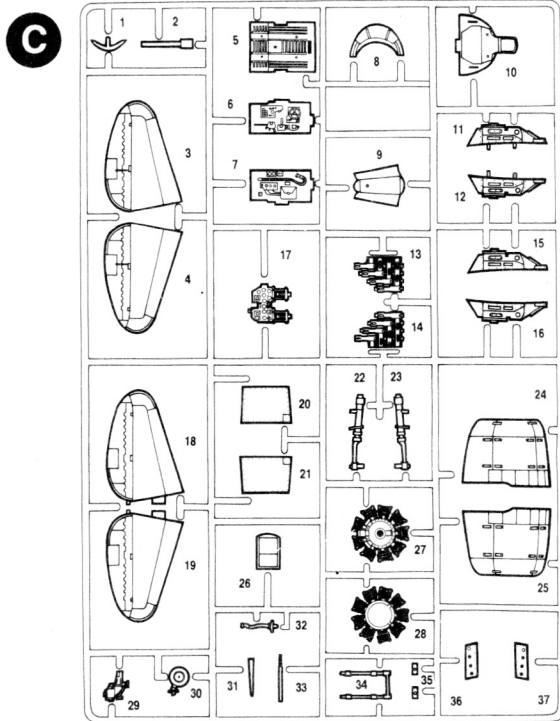
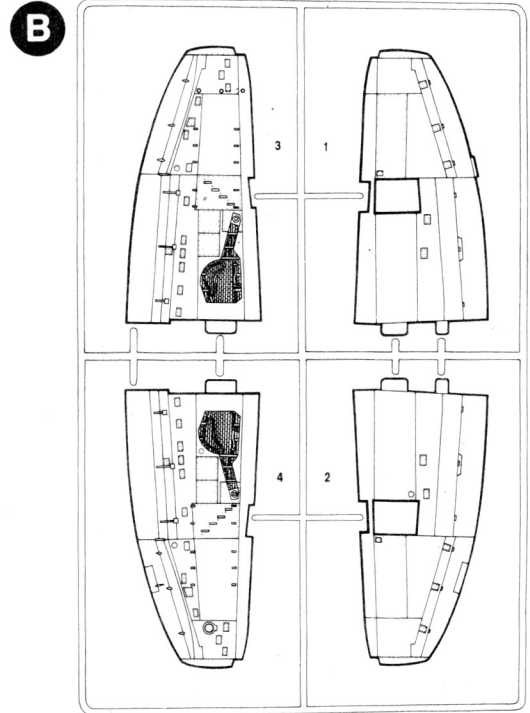
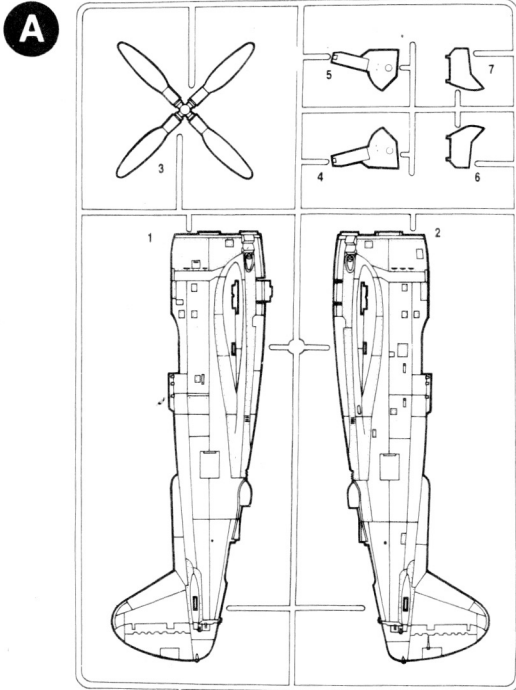
Optional Parts  
Option  
Auswahlmöglichkeit  
Eleccion  
Scelta  
Opcao  
Kreuz



3  
Repeat Operation  
Répéter l'opération  
Wortung Wiederholen  
Repéter la operación  
Repéter a Operação  
Herhalen



# PARTS LOCATING DIAGRAM



TO RECEIVE A COPY OF THE NEWEST FULL COLOR MINICRAFT/ACADEMY CATALOG, SEND US \$ 5.00 (U.S.A. ONLY) OR US \$ 6.00 (FOREIGN) TO MINICRAFT MODELS, INC. P.O. BOX 3577, TORRANCE, CALIF 90510

