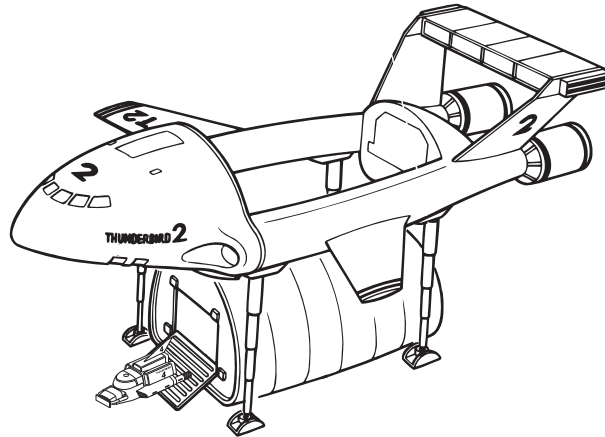


AiP10002

1/350 SCALE

# THUNDERBIRD 2 WITH THUNDERBIRD 4

A GERRY ANDERSON PRODUCTION  
**THUNDERBIRDS™**



### Paint colour references:

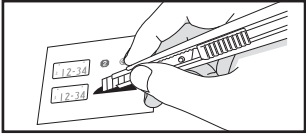
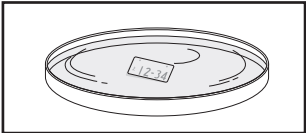
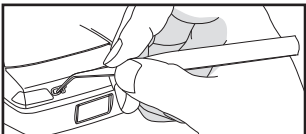
We recommend using the following Humbrol paint colours:  
(Paints not included)

- 11** SILVER
- 21** GLOSS BLACK
- 53** GUNMETAL
- 60** MATT SCARLET
- 82** MATT ORANGE LINING
- 105** MATT MARINE GREEN
- 128** SATIN US COMPASS GREY
- 140** MATT GULL GREY
- 154** MATT INSIGNIA YELLOW

The original Thunderbirds television series was produced in a time before CGI and computers. Skilled model makers and technicians created several models in varying scales depending on the shot required in the storyline. This coupled with camera lighting from different angles means the various craft do appear to be different colours in certain scenes. The paint codes provided are a basic guide and we would suggest watching the episodes and referring to the box photo for further detailed information.

### How to apply decals:

Waterslide decals are supplied with this model kit.  
Please follow these instructions when applying.

- 1** 
  - Cut out the decal to the required shape using scissors or a craft blade.
- 2** 
  - Dip the decal in water for 10 to 20 seconds.
- 3** 
  - Place decal in the desired position and slide it gently from the backing sheet using tweezers
  - Adjust position if required and dry excess water with a soft cloth.

You will also need: (not included)



Plastic  
Cement



Sprue  
Nipper



Craft  
Knife



Tweezers

### Symbol guide:

← Glue here

← - - - No glue required



**ADVENTURES IN PLASTIC**  
A Bachmann Europe Production

13 Moat Way, Barwell, Leicestershire, LE9 8EY  
01455 841756 • [www.bachmann-europe.co.uk](http://www.bachmann-europe.co.uk)

Thunderbirds™ and © ITC Entertainment Group Limited 1964, 1999 and 2020. Licensed by ITV Ventures Limited. All rights reserved. © Bachmann Europe Plc 2019.

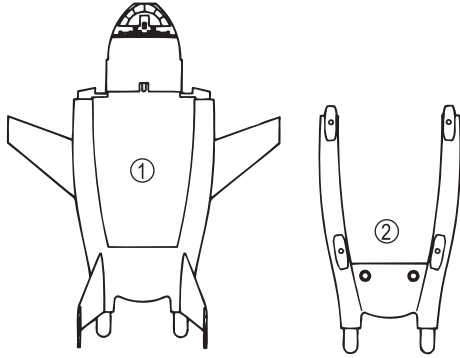


Carefully check the contents of the kit, including parts and decals, before assembly.

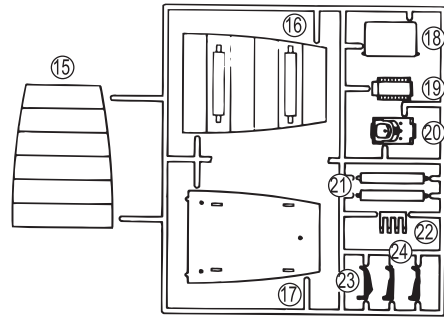
### PARTS LIST

This kit does not include paints or glue. Please purchase them seperately.

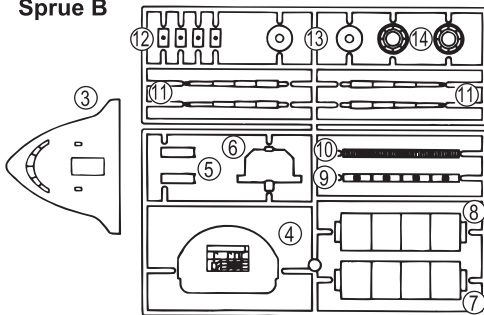
#### Body - upper and lower parts



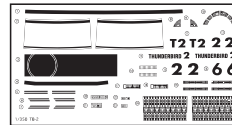
#### Sprue A



#### Sprue B



#### TB2 decal



#### Pod decal

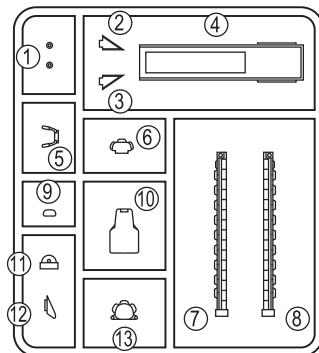


#### D parts (windows)



NOTE: Not all decals are required to complete the model. Keep the extras in your spares box.

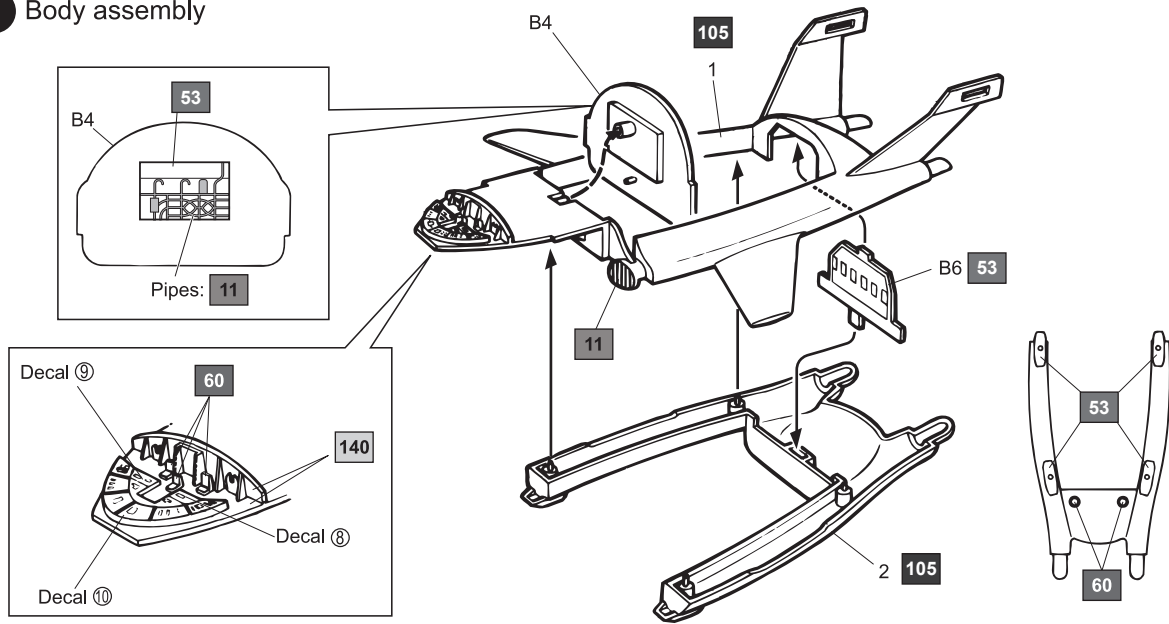
#### Sprue J



#### TB4 & Vehicle decal

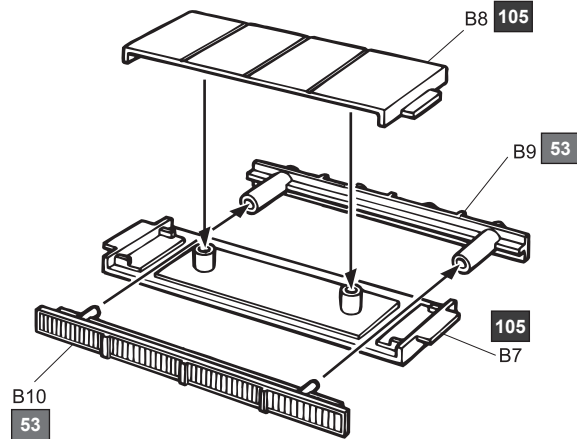


### 1 Body assembly



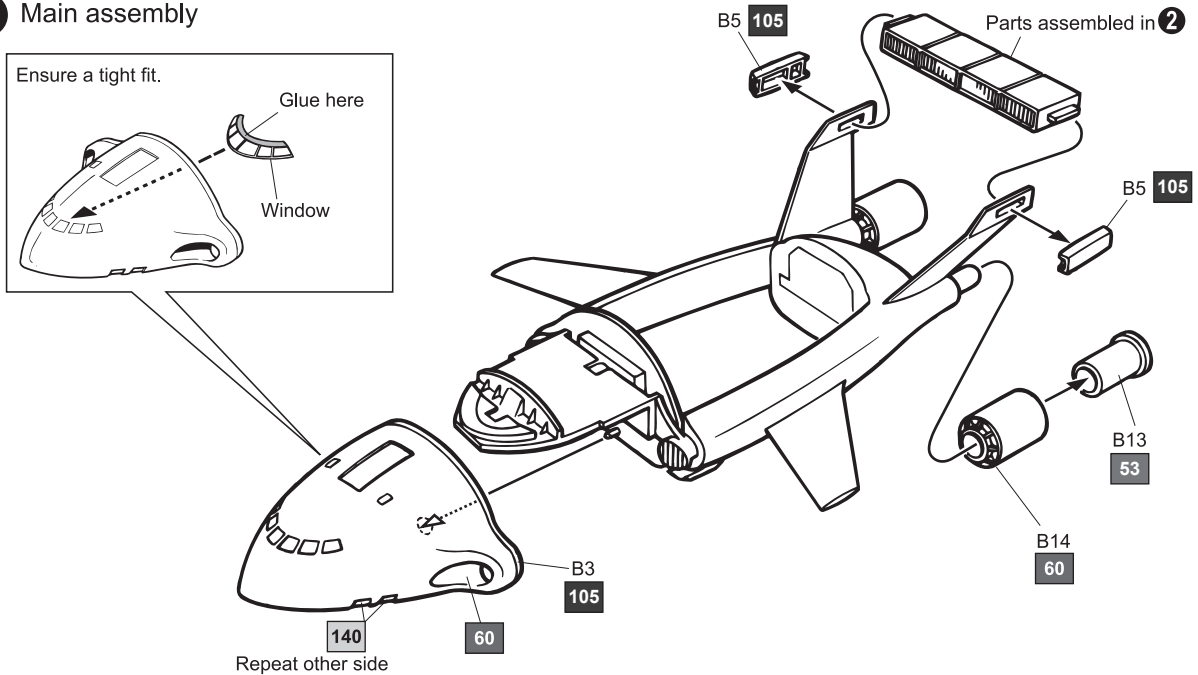
### 2 Rear engine assembly

Fit B9 and B10 between B7 and B8.



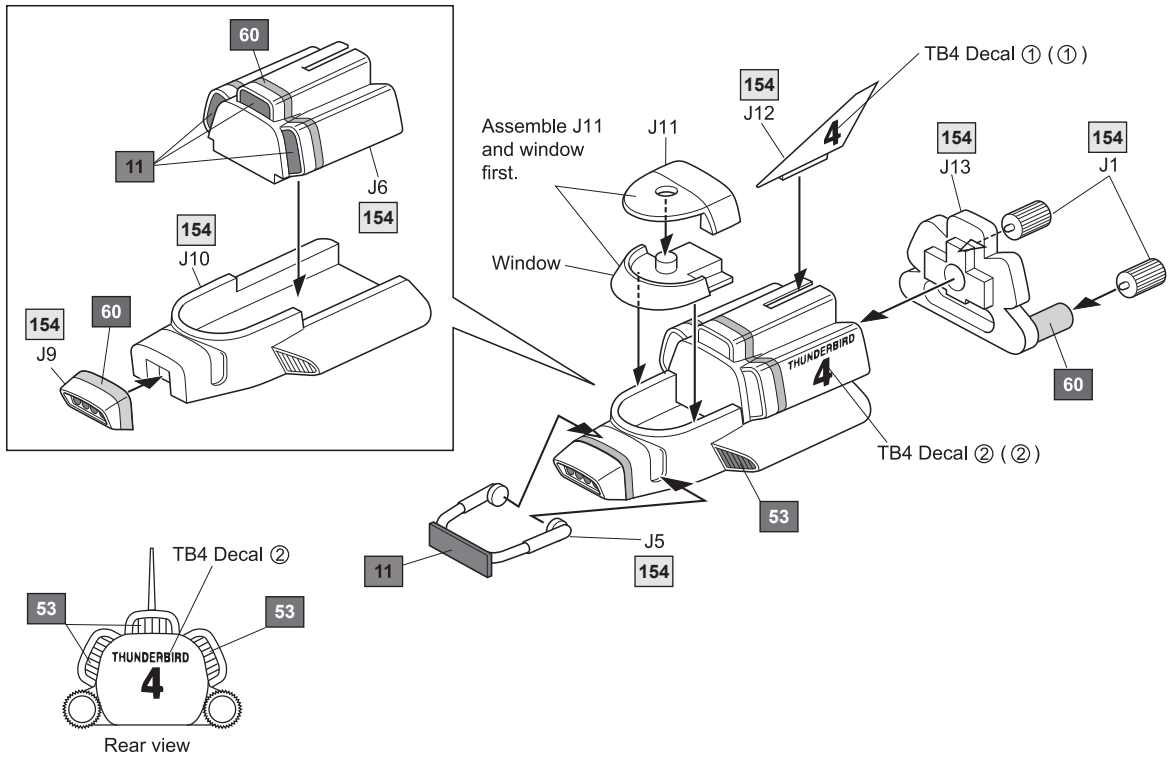
### 3 Main assembly

Ensure a tight fit.

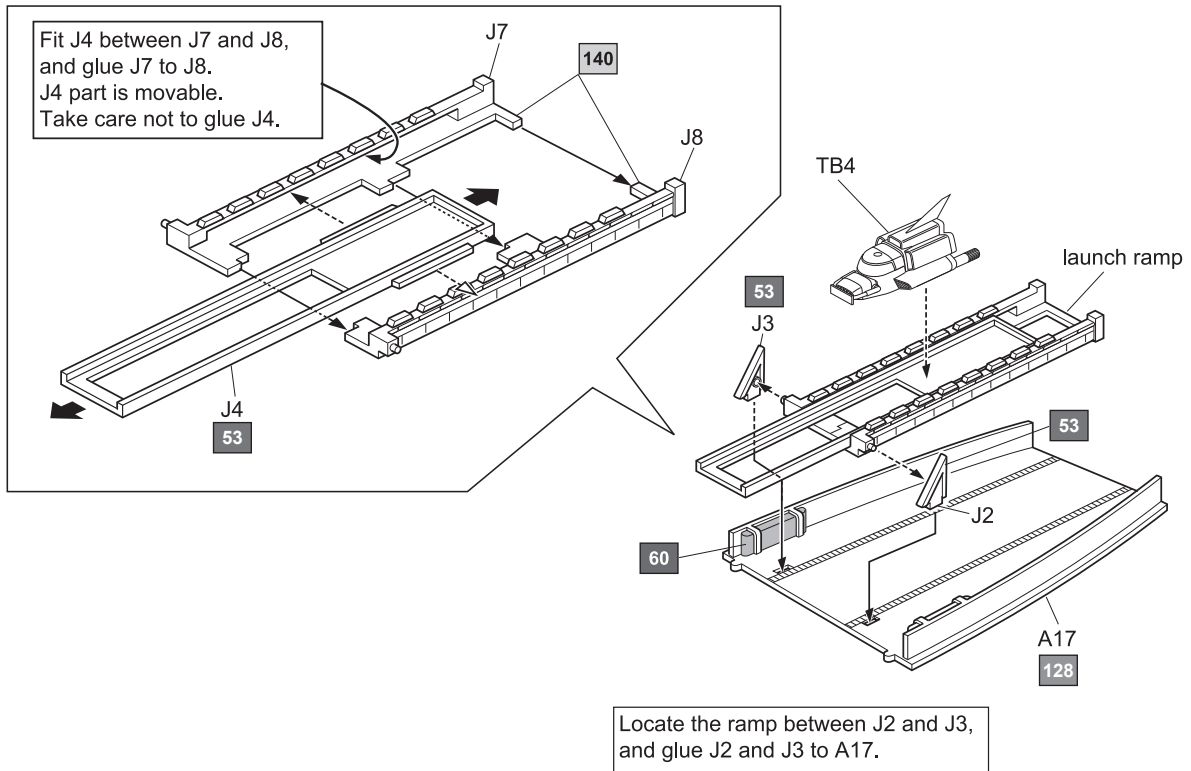


#### 4 Thunderbird 4 body assembly

The number in ( ) refers to the opposite side.



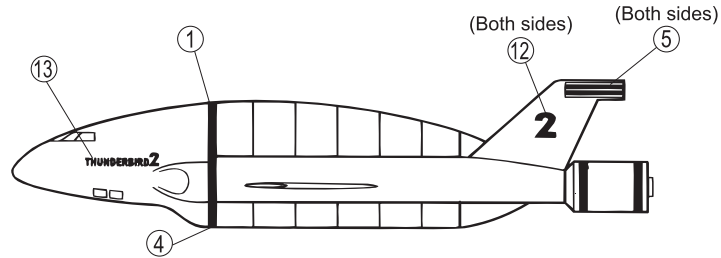
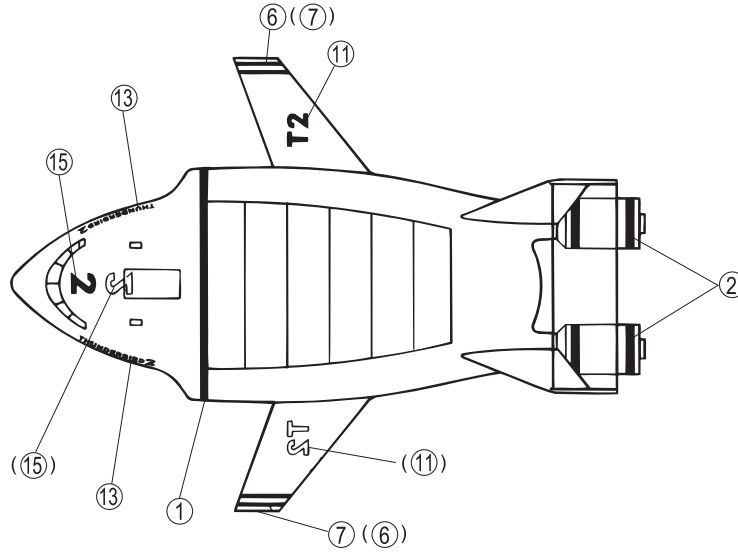
#### 5 Thunderbird 4 launch ramp assembly





Decals for TB2

The number in ( ) refers to the underside.



5, 4, 3, 2, 1... check out the rest of the range!

[www.bachmann.co.uk](http://www.bachmann.co.uk)