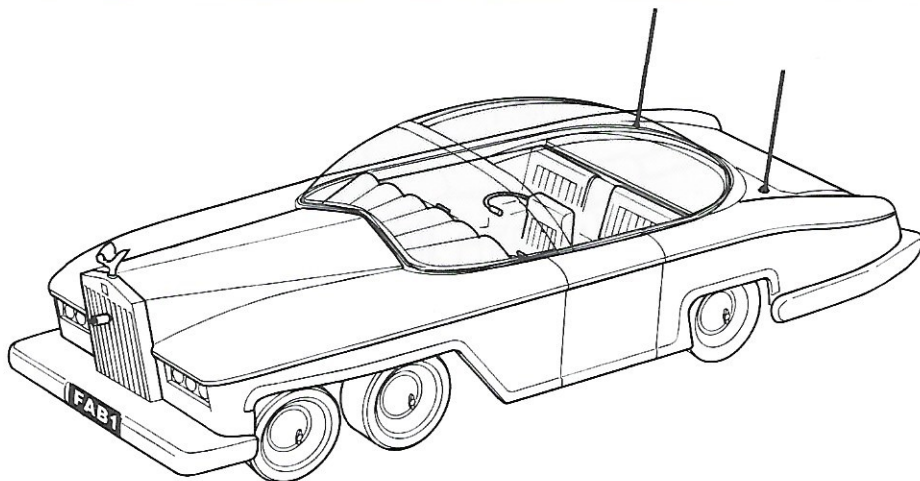


AiP10008

1/32 SCALE
FAB 1

A GERRY ANDERSON PRODUCTION
THUNDERBIRDS™



Paint colour references:

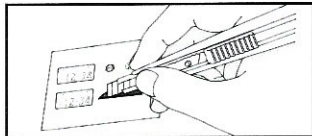
We recommend using the following Humbrol paint colours:
(Paints not included)

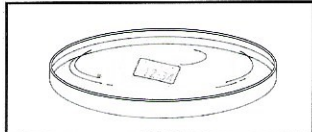
- 11 SILVER
- 21 GLOSS BLACK
- 22 GLOSS WHITE
- 53 GUNMETAL
- 60 MATT SCARLET
- 85 SATIN COAL BLACK
- 200 GLOSS PINK
- 1321 CLEAR RED (alternatively use Tamiya X-27 Clear Red)

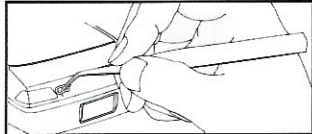
The original Thunderbirds television series was produced in a time before CGI and computers. Skilled model makers and technicians created several models in varying scales depending on the shot required in the storyline. This coupled with camera lighting from different angles means the various craft do appear to be different colours in certain scenes. The paint codes provided are a basic guide and we would suggest watching the episodes and referring to the box photo for further detailed information.

How to apply decals:

Waterslide decals are supplied with this model kit.
Please follow these instructions when applying.

①  • Cut out the decal to the required shape using scissors or a craft blade.



②  • Dip the decal in water for 10 to 20 seconds.

③  • Place decal in the desired position and slide it gently from the backing sheet using tweezers
• Adjust position if required and dry excess water with a soft cloth.

You will also need: (not included)

-  Plastic Cement
-  Super Glue
-  Sprue Nipper
-  Craft Knife
-  Tweezers

Symbol guide:

-  Glue here
-  No glue required



ADVENTURES IN PLASTIC
A Bachmann Europe Production

13 Moat Way, Barwell, Leicestershire, LE9 8EY
01455 841756 • www.bachmann-europe.co.uk

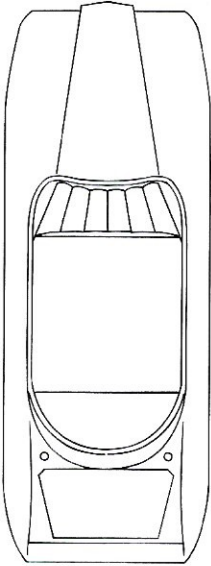


Carefully check the contents of the kit, including parts and decals, before assembly.

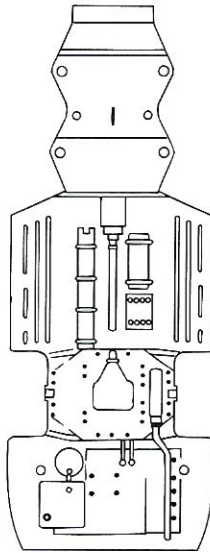
PARTS LIST

This kit does not include paints or glue. Please purchase them separately.

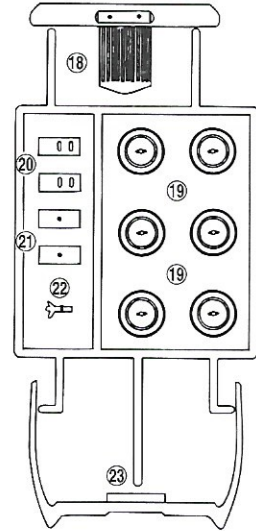
Body (I-03-99)



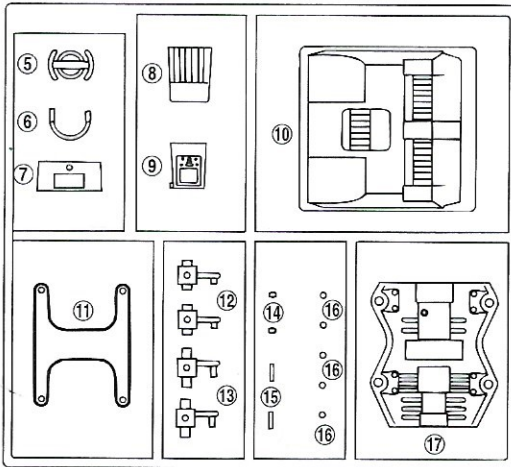
Chassis (I-03-101)



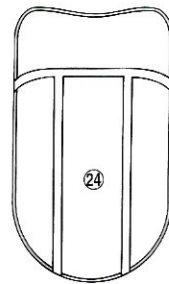
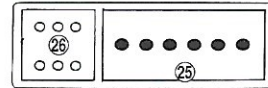
Chrome parts (I-03-101)



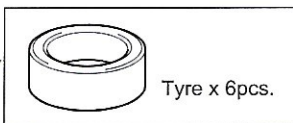
Interior (I-03-100)



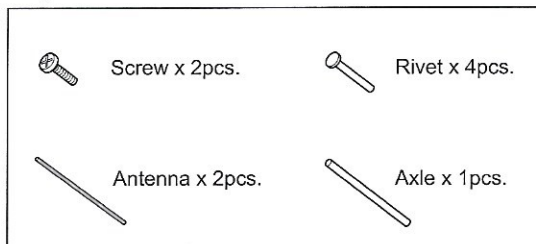
Clear parts (I-02-34)



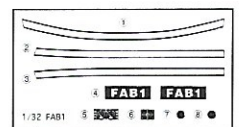
Bag A



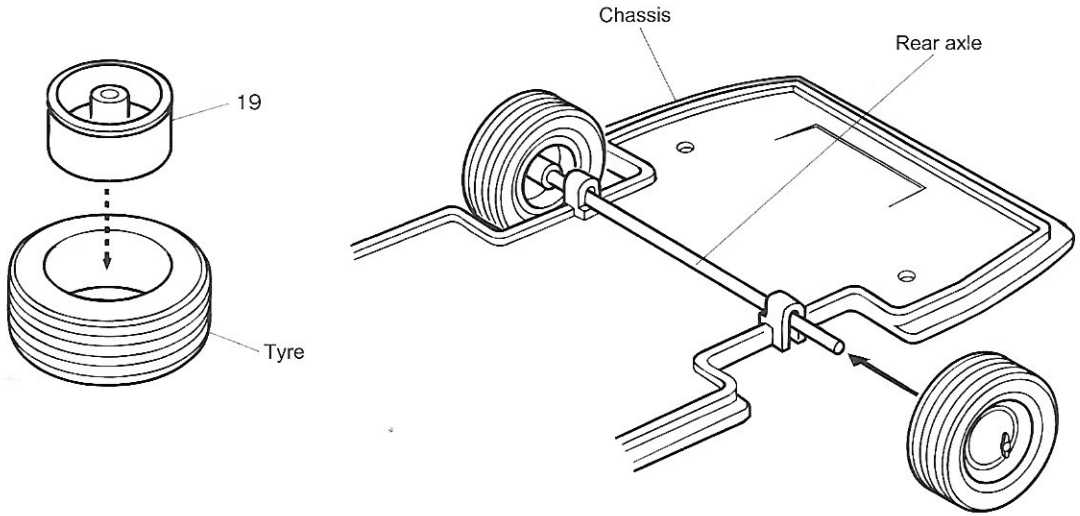
Bag B



Decal

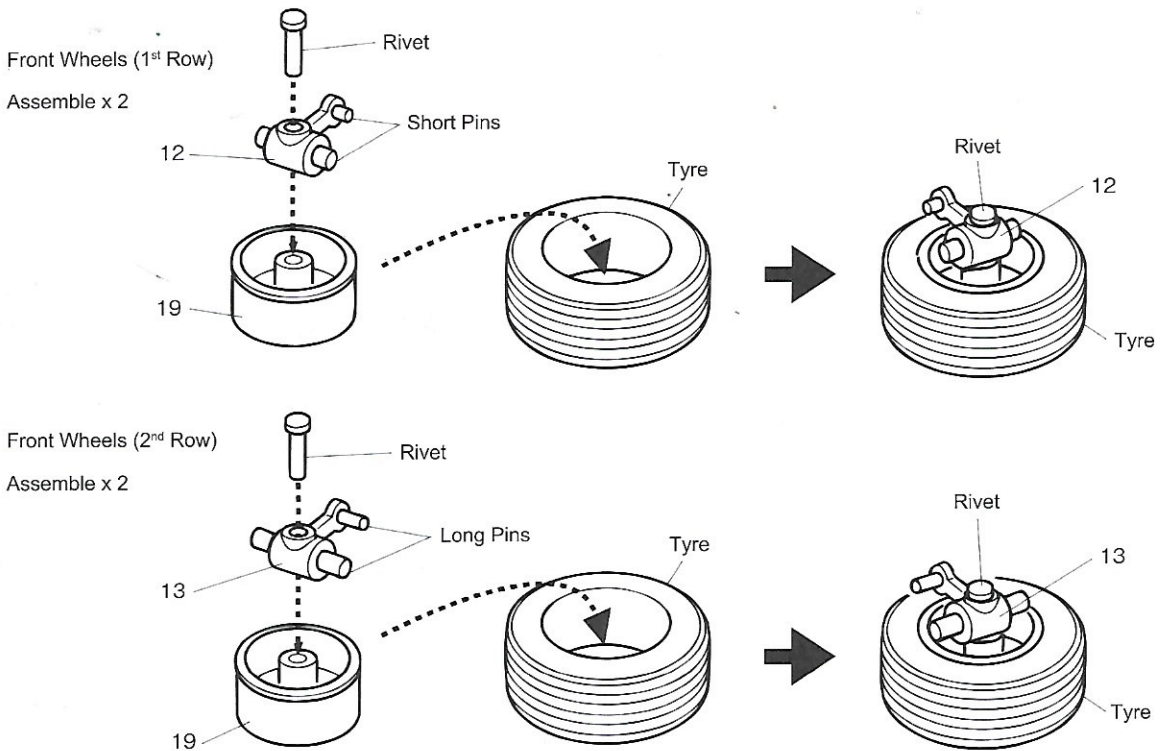


1 Rear wheel assembly



2 Front Wheels assembly

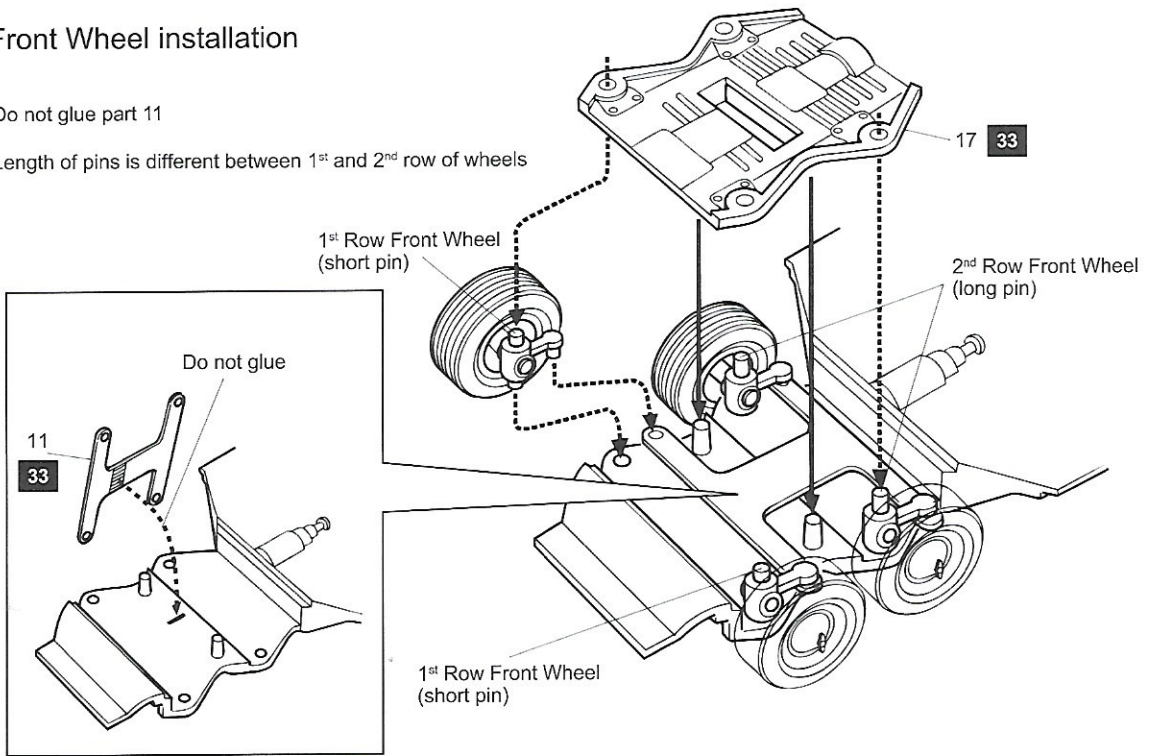
NOTE: Length of pins is different between 1st and 2nd row of wheels



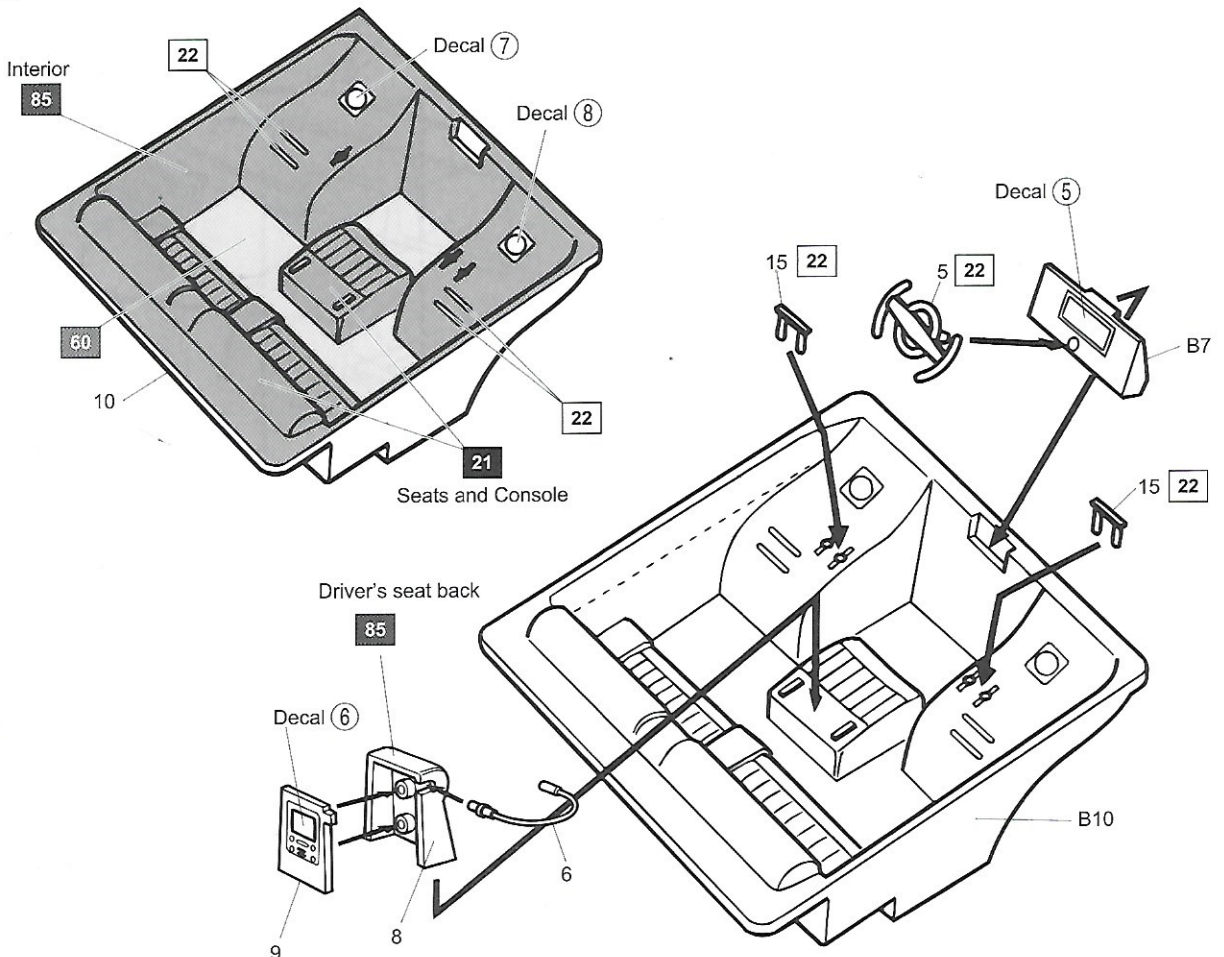
3 Front Wheel installation

NOTE: Do not glue part 11

NOTE: Length of pins is different between 1st and 2nd row of wheels

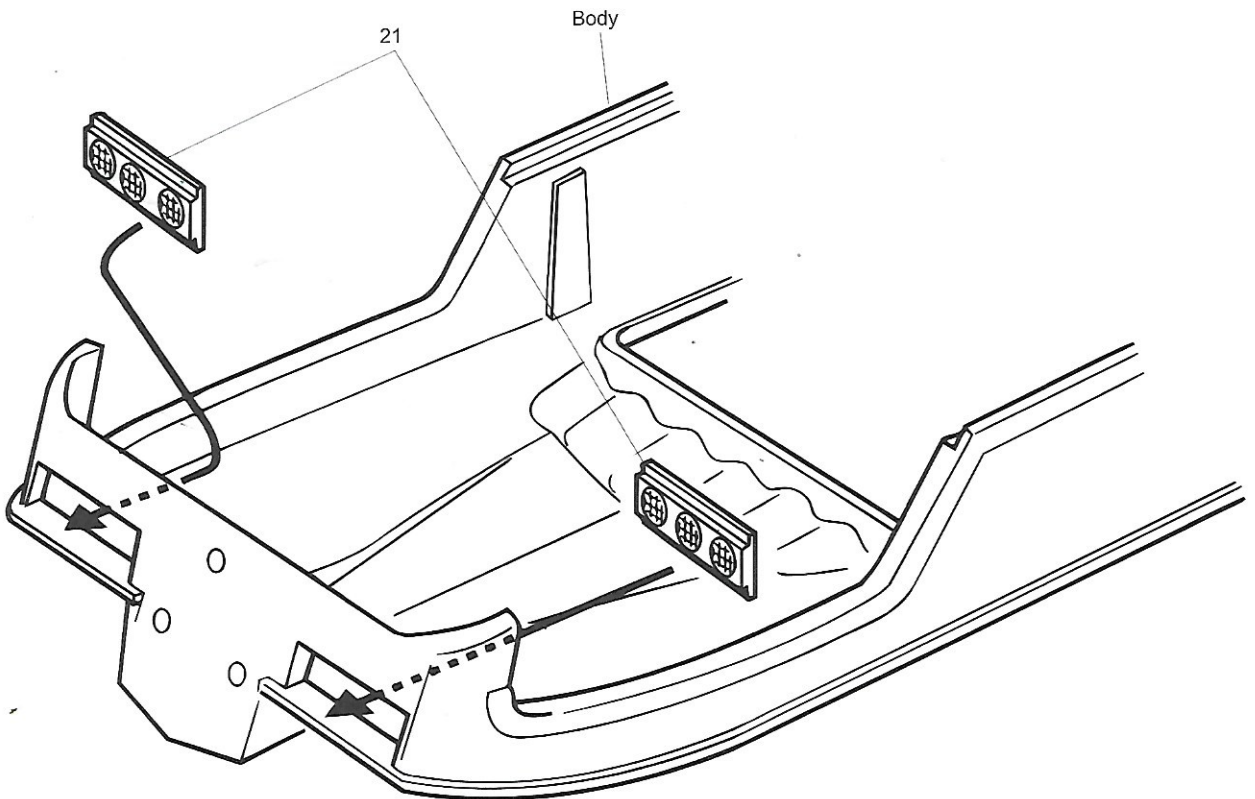
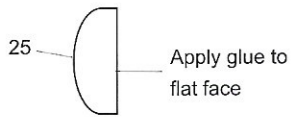
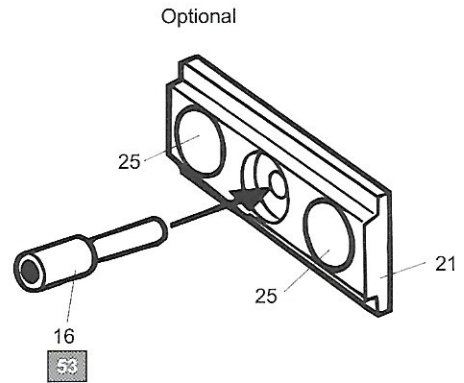
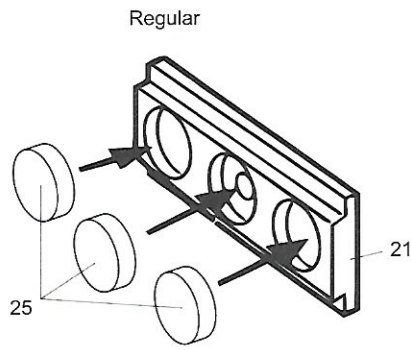


4 Interior assembly



5 Headlight assembly

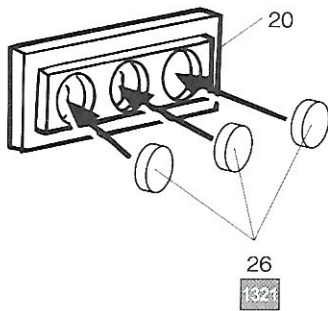
There are two headlight options:



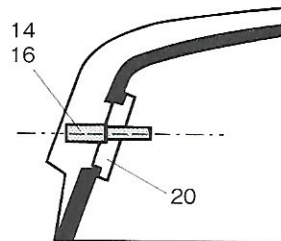
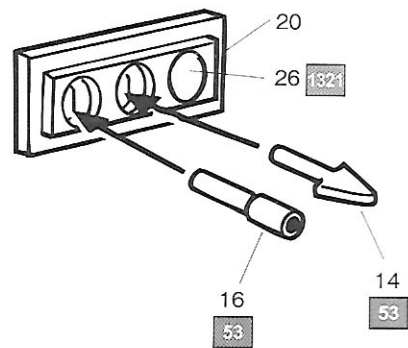
6 Tail light assembly

There are two tail light assembly options:

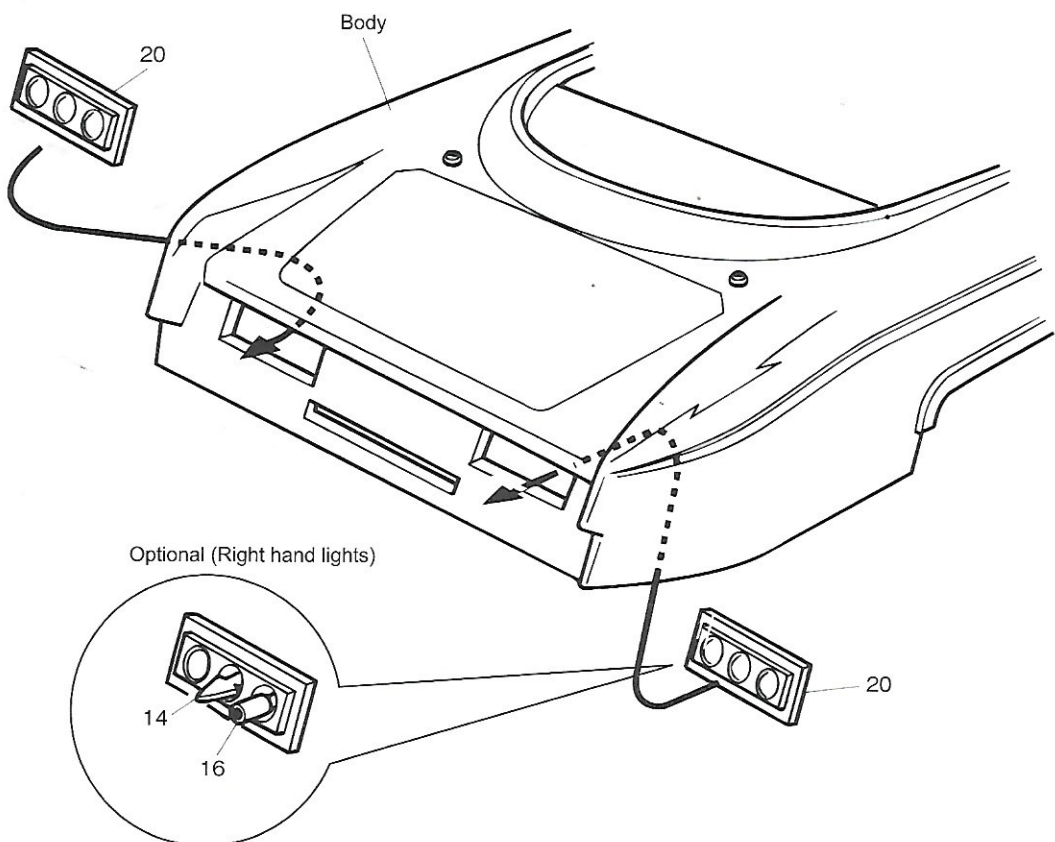
Regular



Optional (Left hand lights)

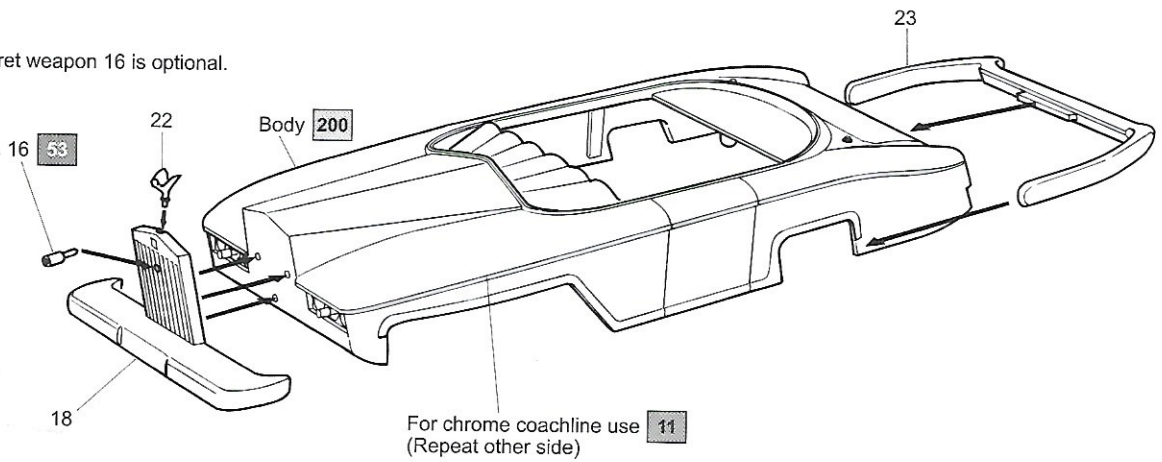


Fix the secret weapons 14 and 16 to the body ensuring they are horizontal

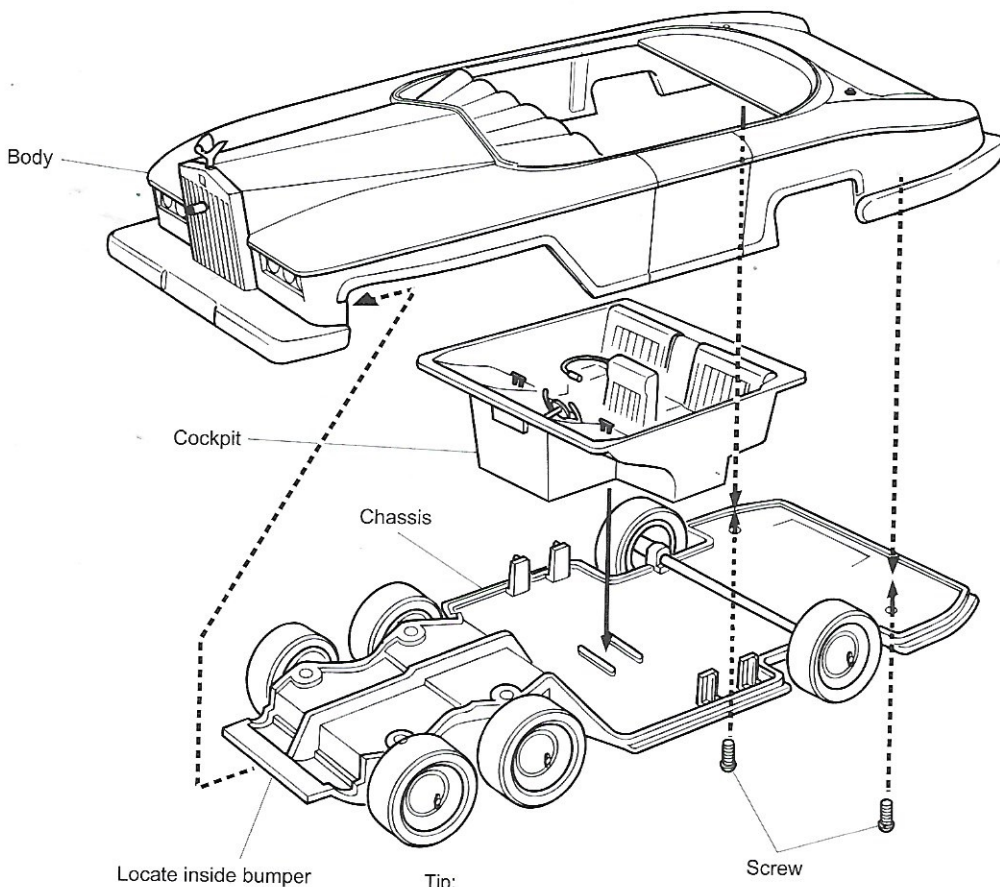


7 Body fittings

Secret weapon 16 is optional.

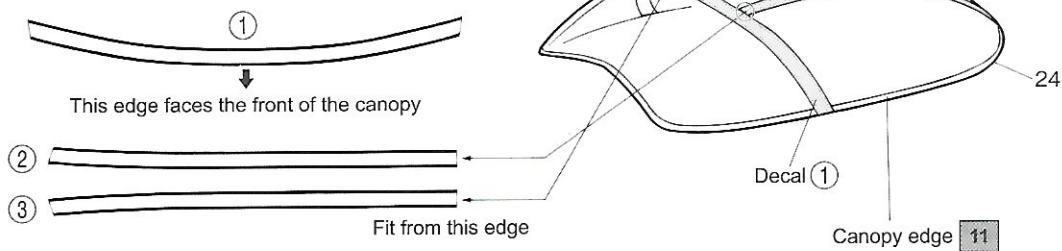


8 Body and chassis assembly

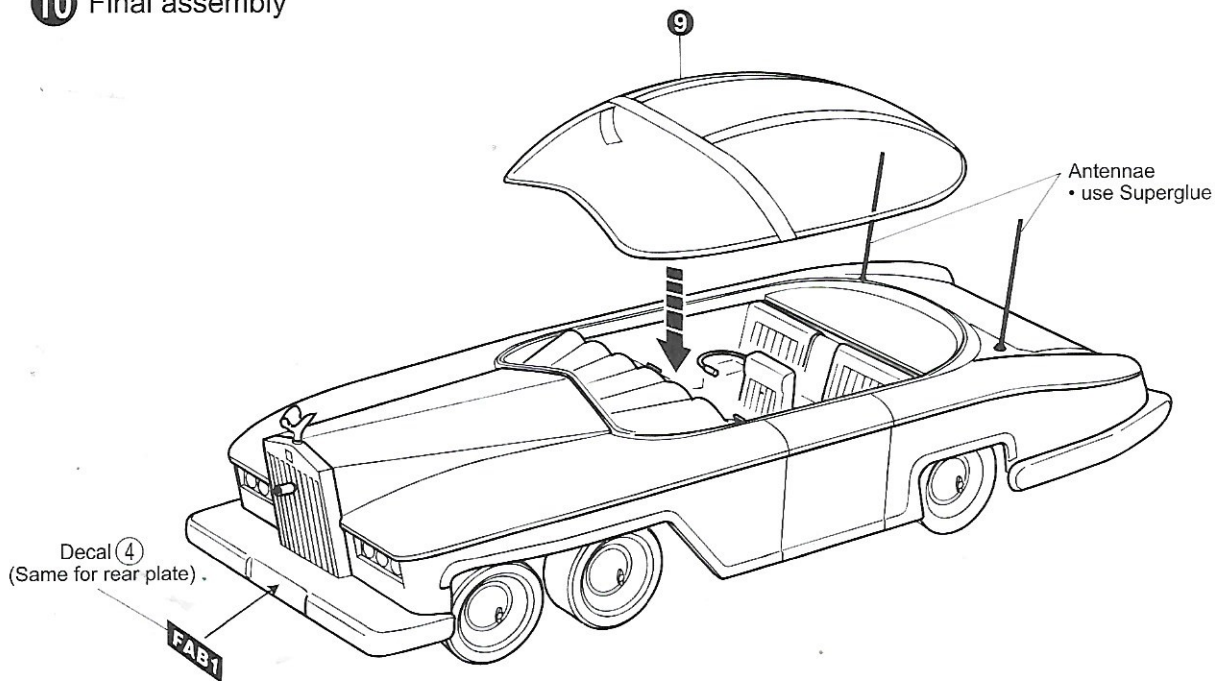


9 Canopy decoration

Affix decals in the order: ① ② ③



10 Final assembly



5, 4, 3, 2, 1... check out the rest of the range!

