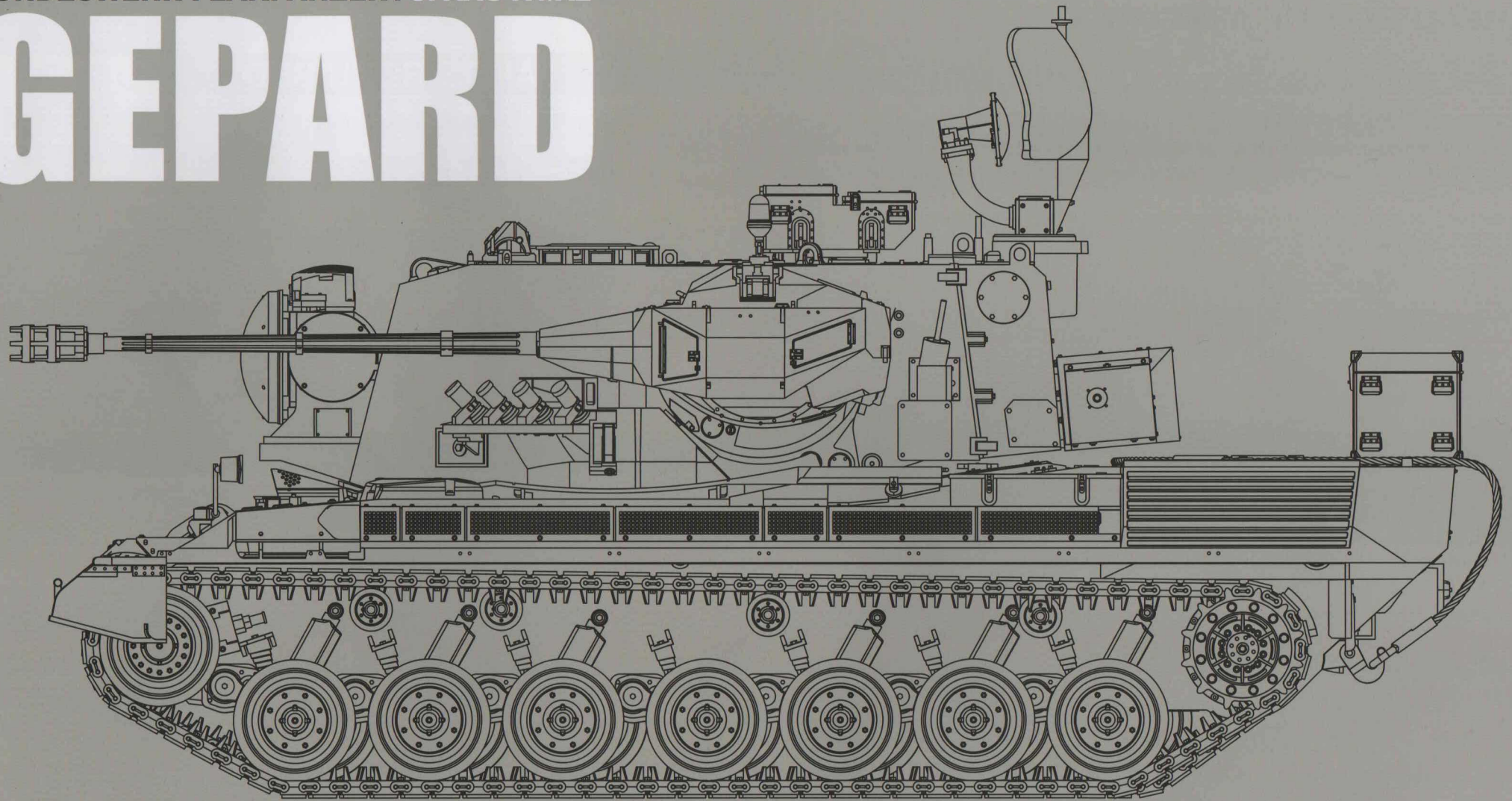


BUNDESWEHR FLAKPANZER1 SPAAG A1/A2

# GEPARD



The Flugabwehrkanonenpanzer Gepard, better known as the Flakpanzer-1 Gepard, was first developed from the Leopard-1 in the 1960's and entered service with the German Army in 1973. 420 of these SPAAG's were built for the Bundeswehr, and also served with the armies of the Netherlands, Belgium. Currently, Brazil, Chile, Jordan, and Romania.

The Gepard features an electrically powered turret housing a pair of belt fed 35 mm L/90 Oerlikon KDA automatic cannons which can provide a combined rate of fire of 1,100 rounds/minute of a mix of AA & AP rounds up to an effective range of 5,500 meters. The weapons are guided by a search radar at the rear of the turret and a tracking radar on the front, providing 360 scanning out to a range of 15km.

The crew of 3 enjoys full NBC protection, while the turret provides protection against small arms and shell fragments. The Gepard is powered by a 830hp diesel engine, which can be replaced in the field within 20 minutes. The Gepard is also equipped with a 4-cylinder diesel Daimler-Benz MTU-Motor for operating the weapon system while the vehicle is not running.

# READ BEFORE ASSEMBLY

## CAUTION

- Read carefully and fully understand the instructions before commencing assembly. A supervising adult should also read the instructions if a child assembles the model.
- When assembling this kit, tools including knives used. Extra care should be taken to avoid personal injury.
- Keep out of reach of small children. Children must not be allowed to suck any part, or pull vinyl bag over their heads.



Optional



Do Not Cement



Remove



Drill



Instant Glue  
for Metal

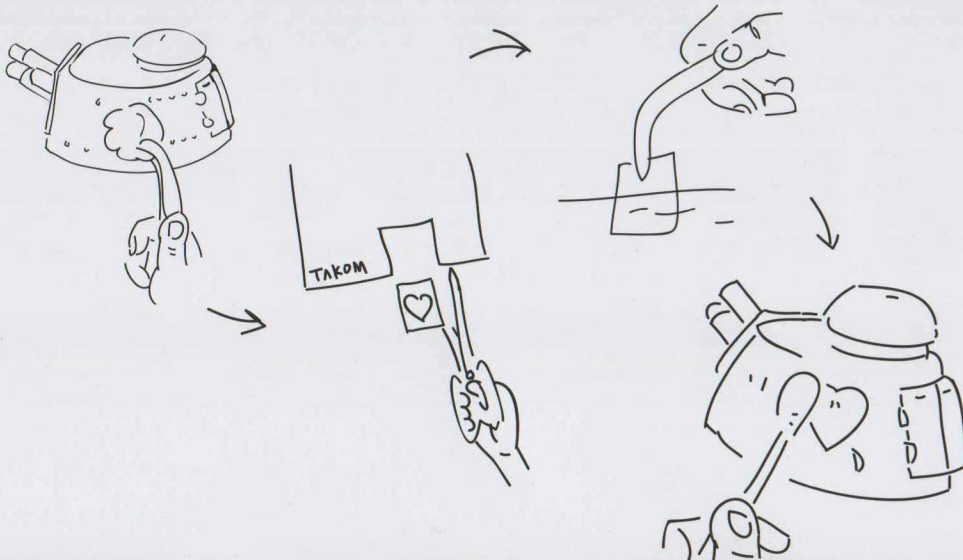
## PAINTS REQUIRED

Color info and profiles by Mig Jimenez

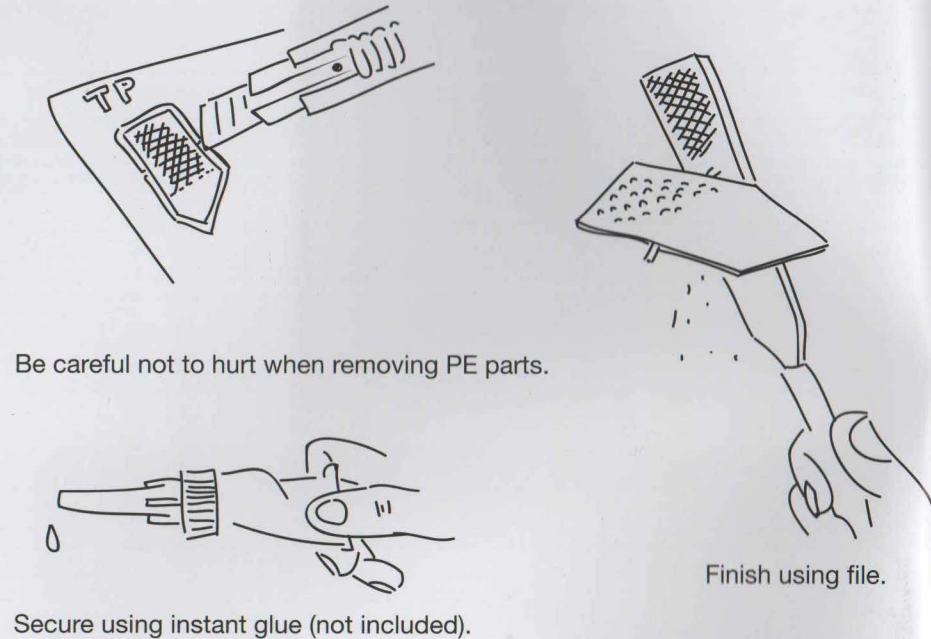
A.MIG 033 Rubber & Tires	A.MIG 042 Old Rust	A.MIG 045 Gun Metal	A.MIG 093 Crystal Red
A.MIG 097 Crystal Orange	A.MIG 044 Brown	A.MIG 046 Matt Black	A.MIG 084 NATO Green
A.MIG 028 German Sand Brown	A.MIG 027 German Sand Beige	A.MIG 028 German Grey Beige	A.MIG 085 NATO Brown
A.MIG 087 RAL 6014 GELBOLIV	A.MIG 061 Warm Sand-Yellow		

## APPLYING DECALS

1. Clean the model surface with a wet cloth.
2. Cut out each decal design from sheet, and dip it in tepid water for 15~20 sec.
3. Hold the backing sheet and slide decal onto the model.
4. Move decal into position by wetting decal with finger.
5. Press decal gently down with a soft cloth until excess water and air bubbles are gone.

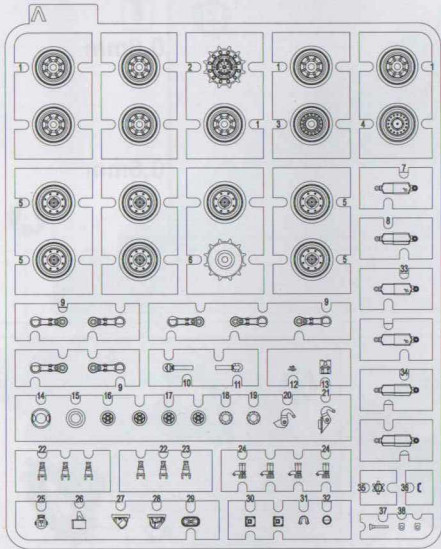


## REMOVING PE

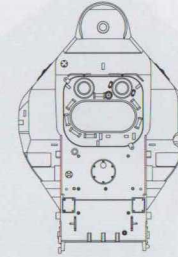
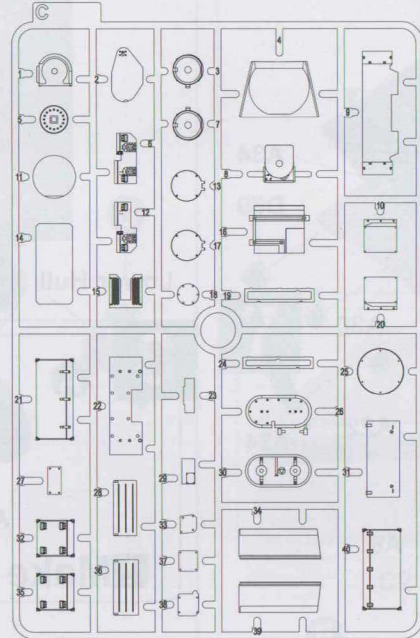
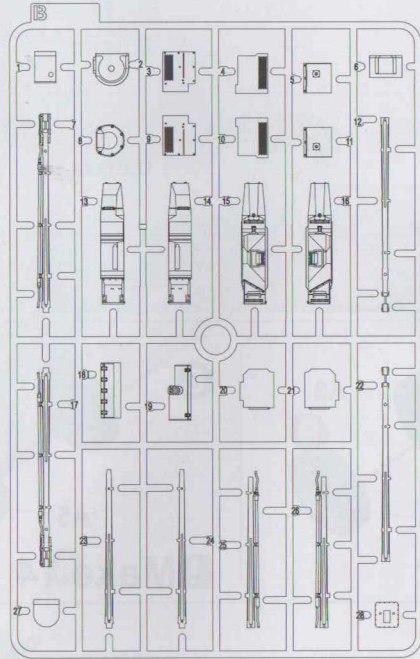




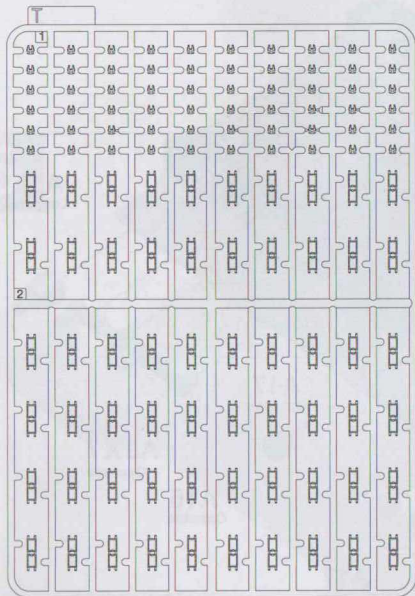
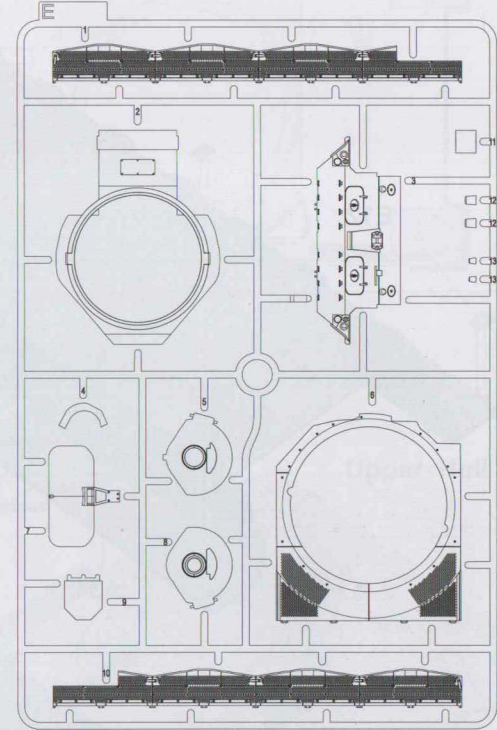
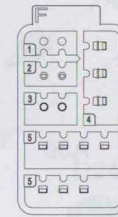
# PARTS



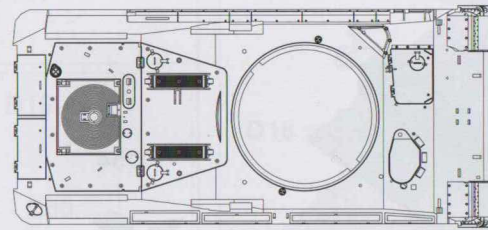
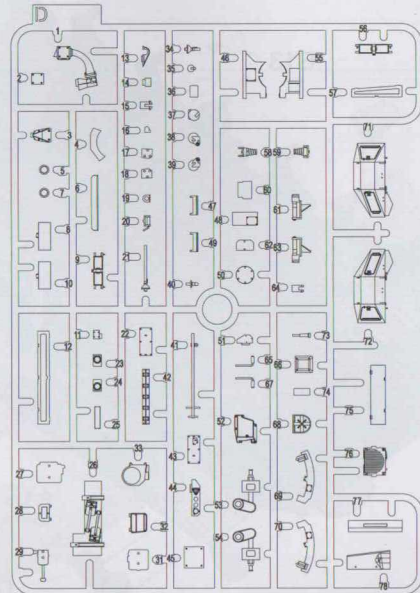
X2



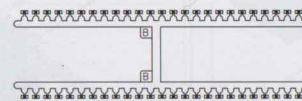
Turret



X3

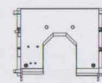


Upper Hull



Cable X2

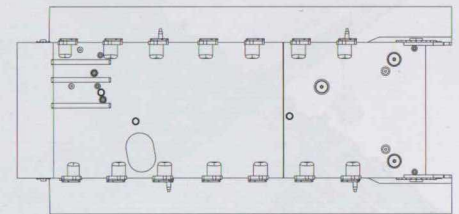
Poly Cap B X6



S2

Poly Cap X4

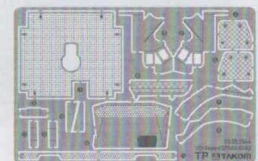
X4



Lower Hull



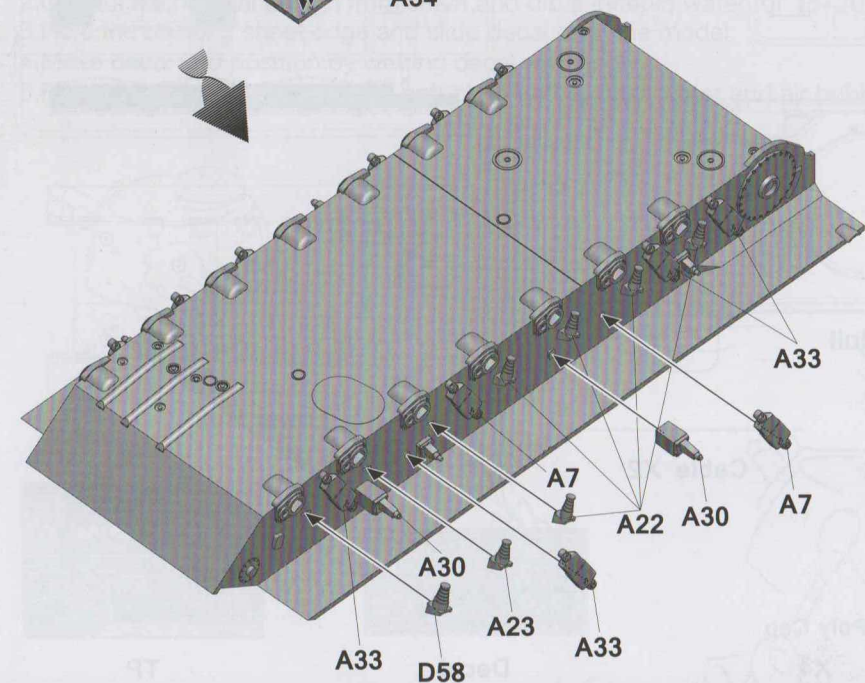
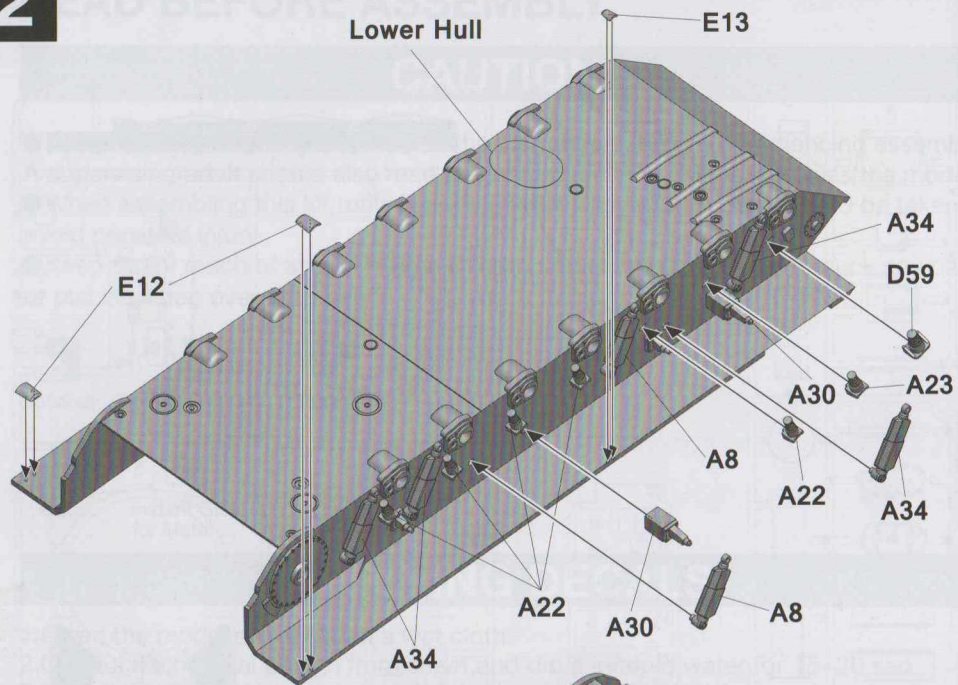
Decal



TP

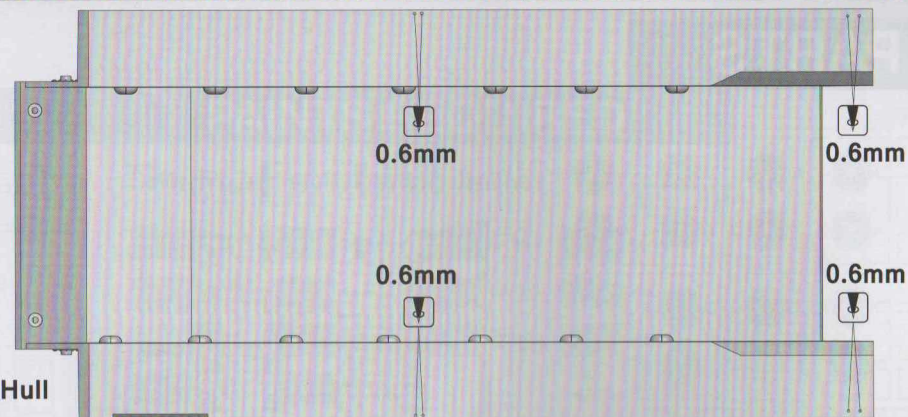


2



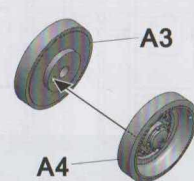
1

Lower Hull



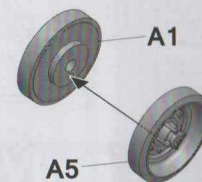
3

A



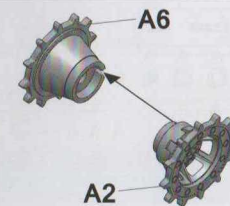
Make 2

B

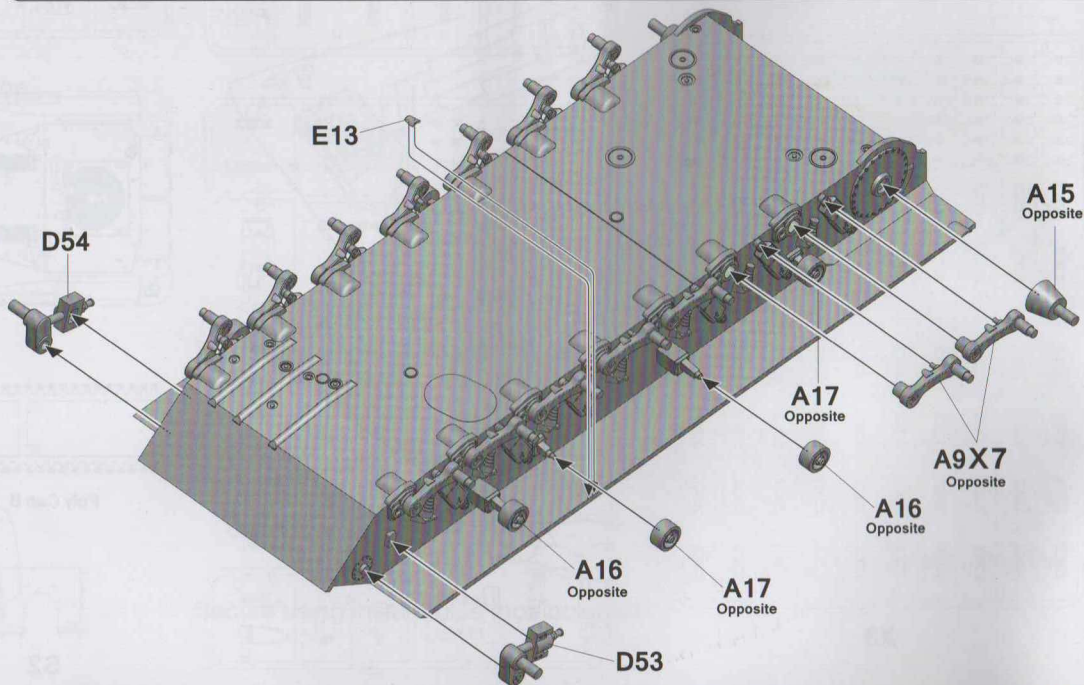


Make 14

C



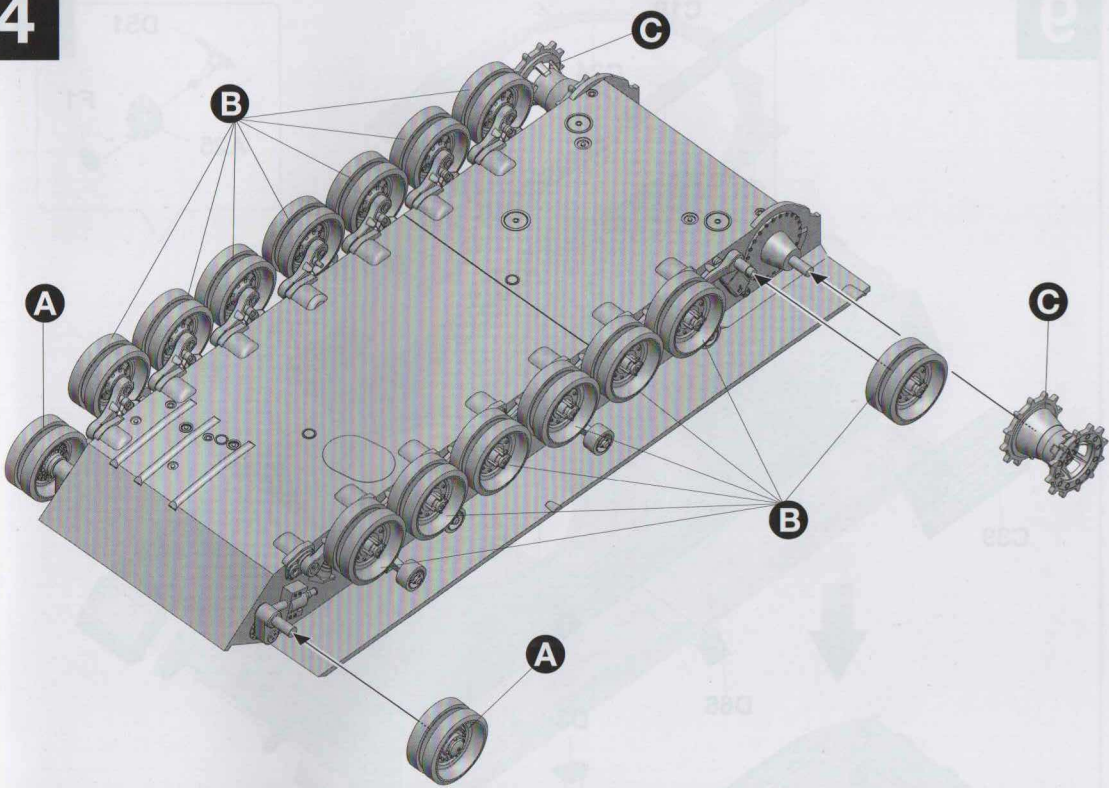
Make 2



3

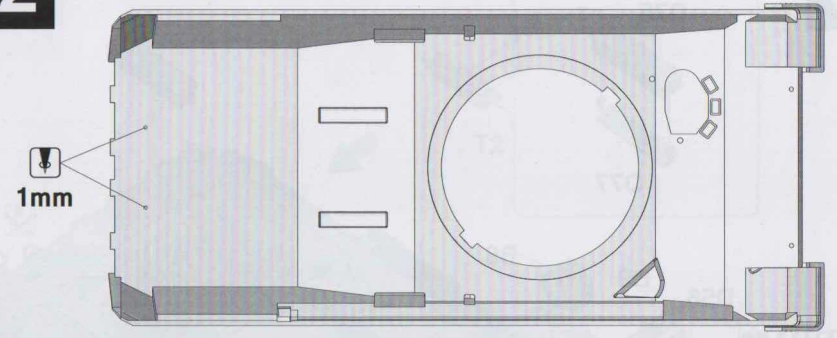


4

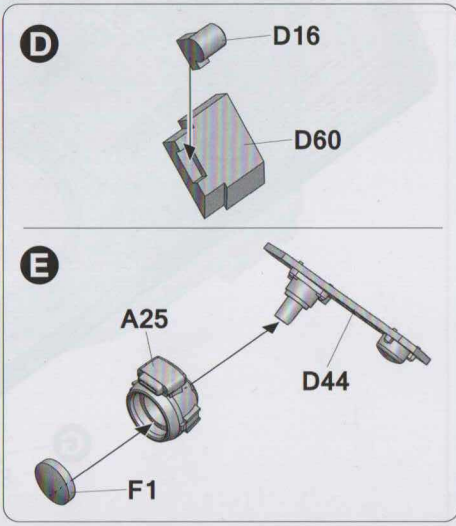
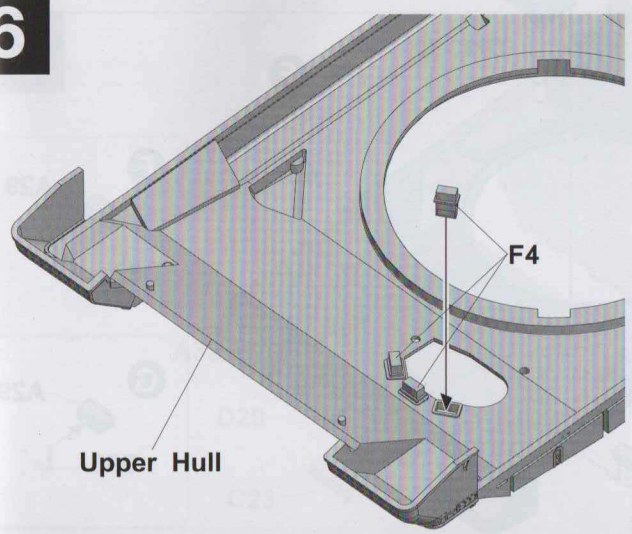


5-2

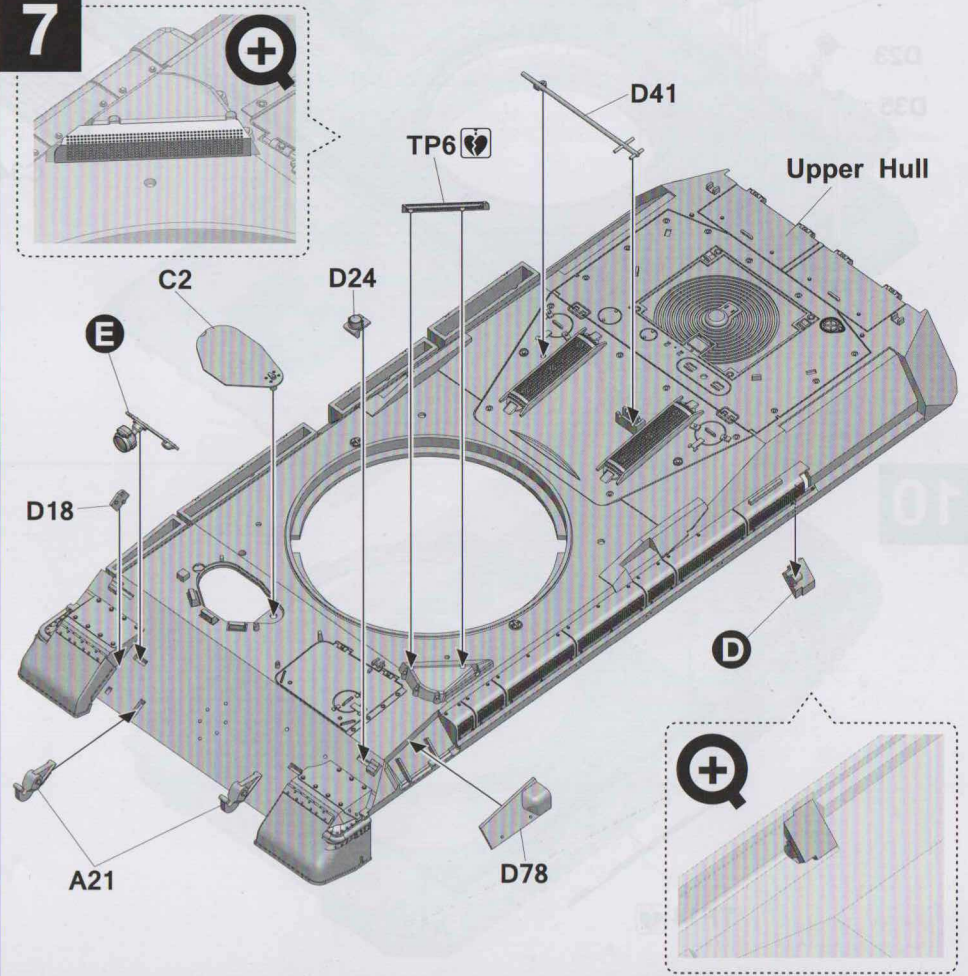
A2 Version



6

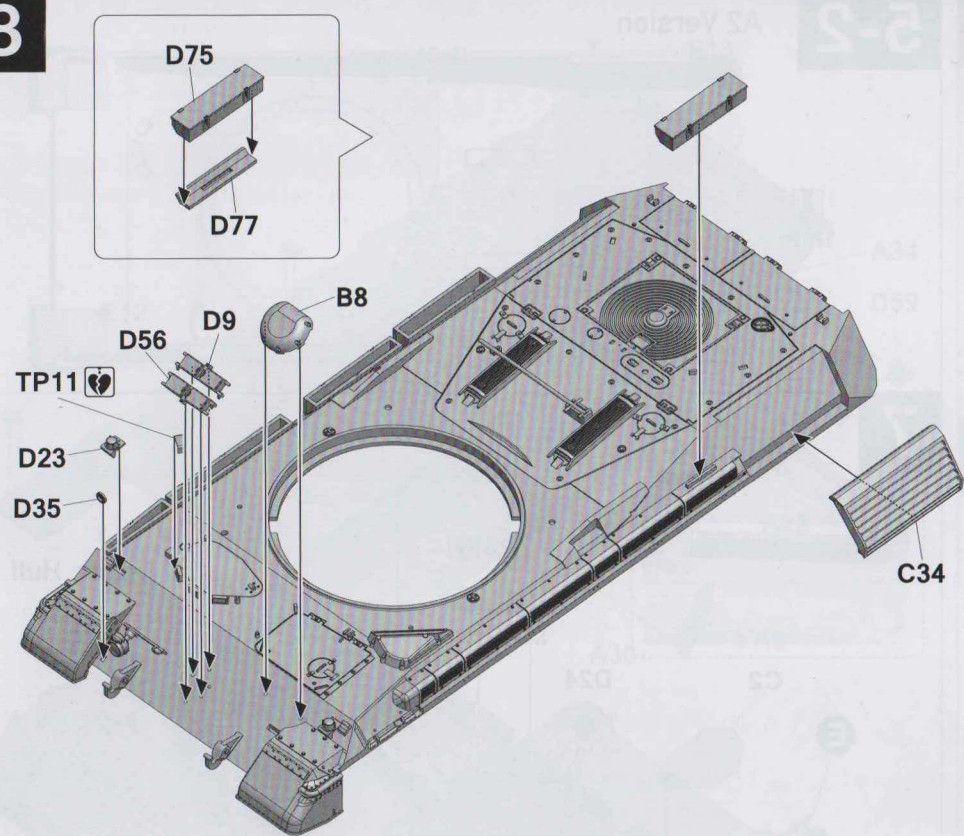


7

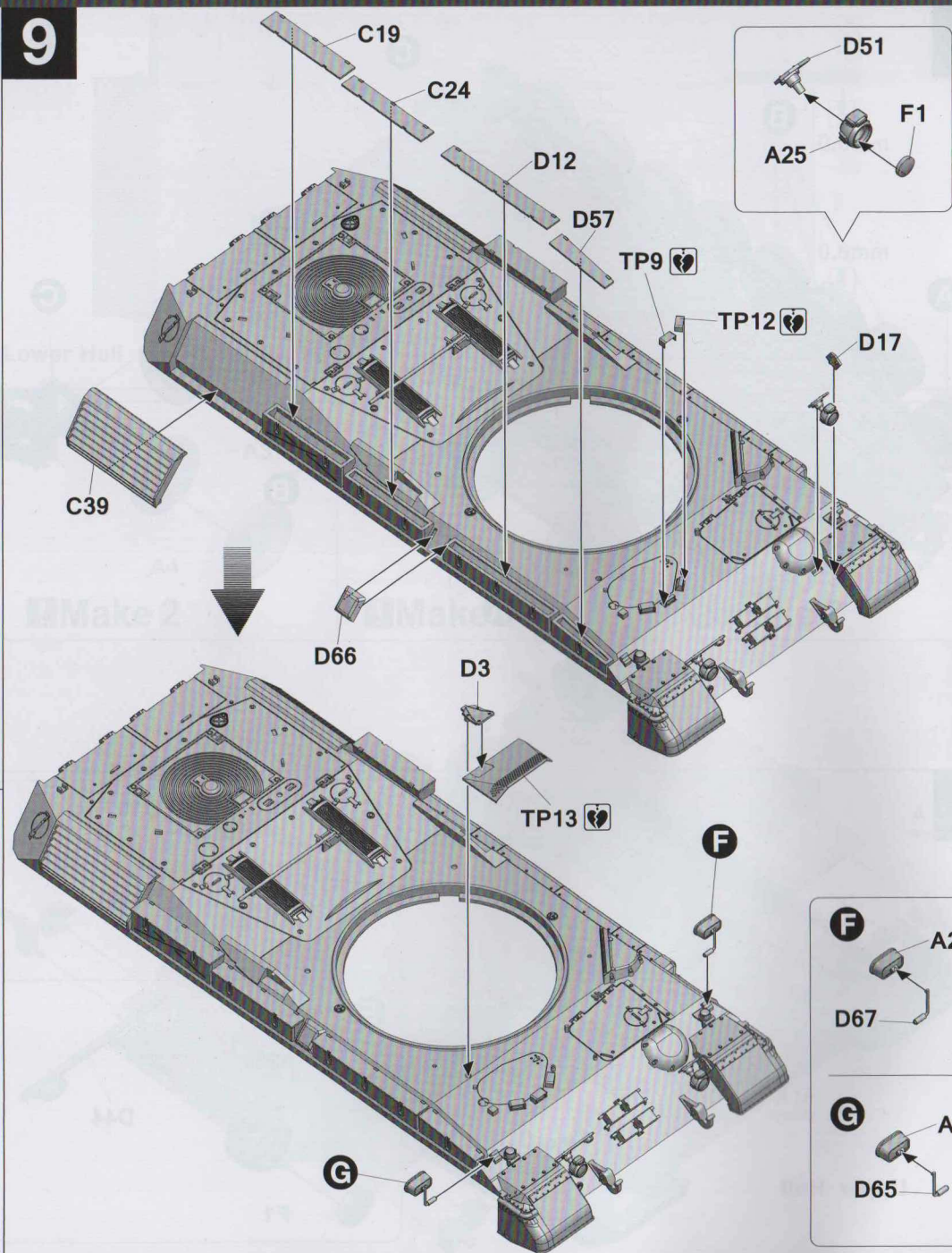




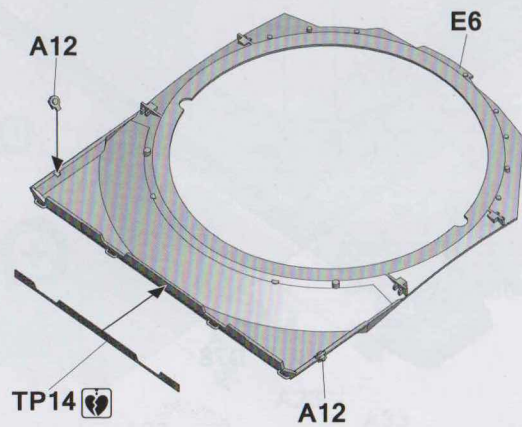
8



9



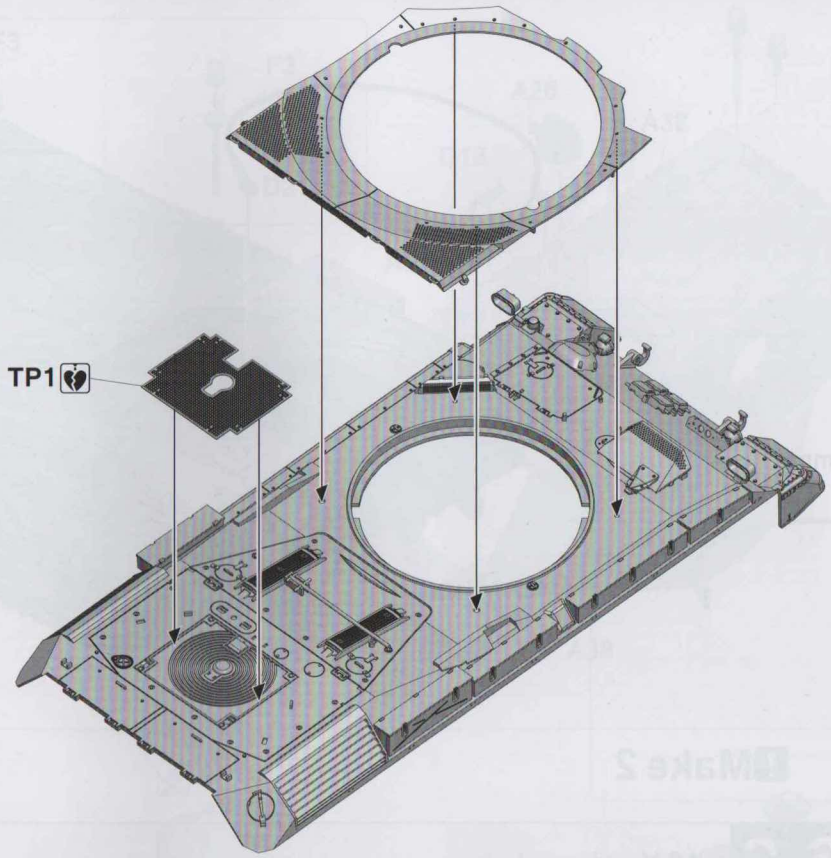
10



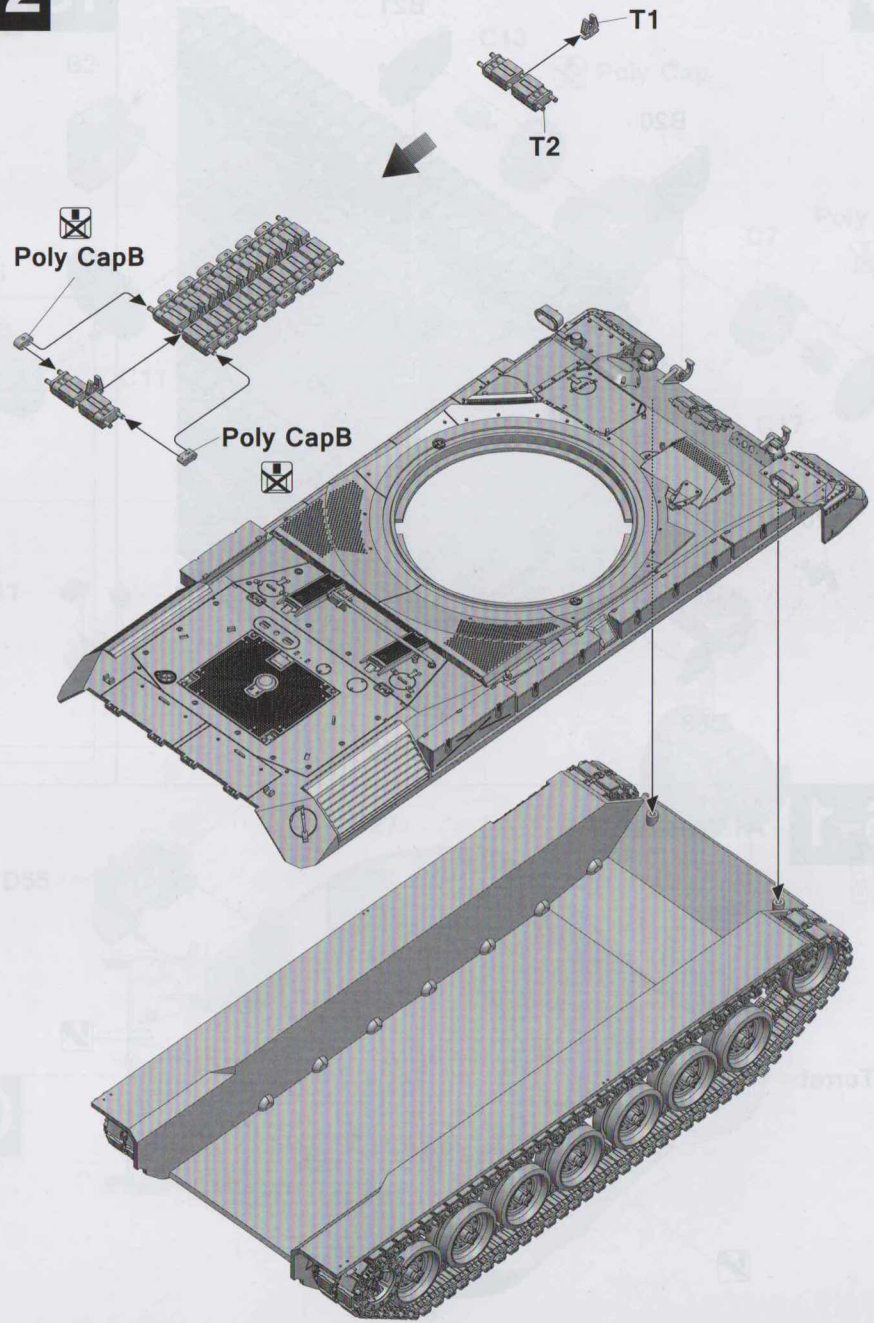
5



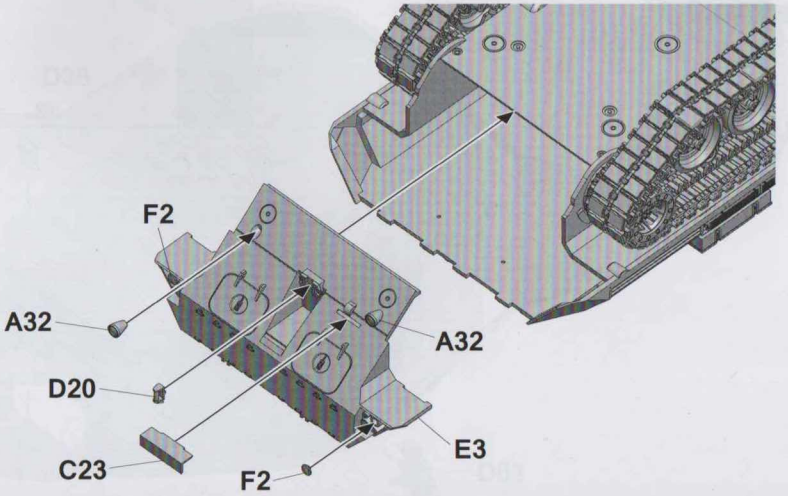
11



12

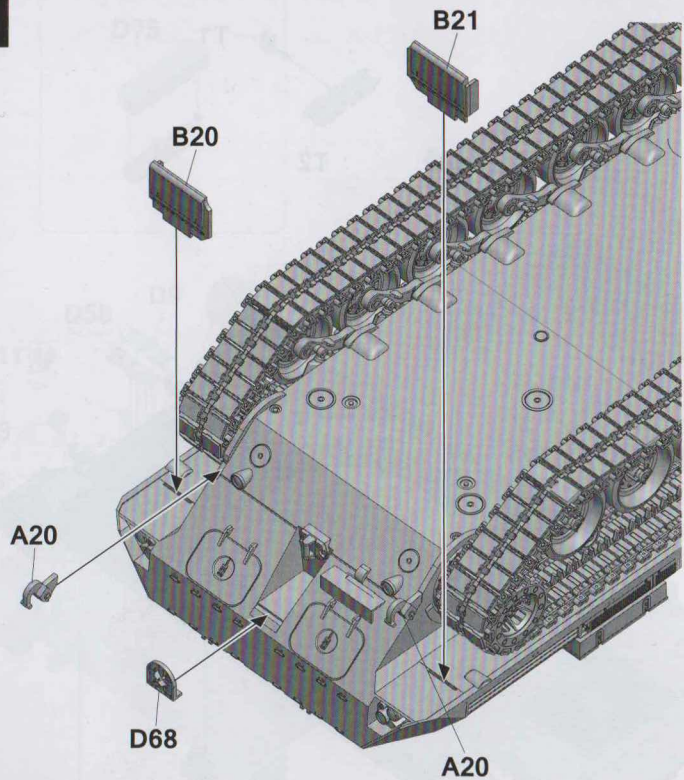


13

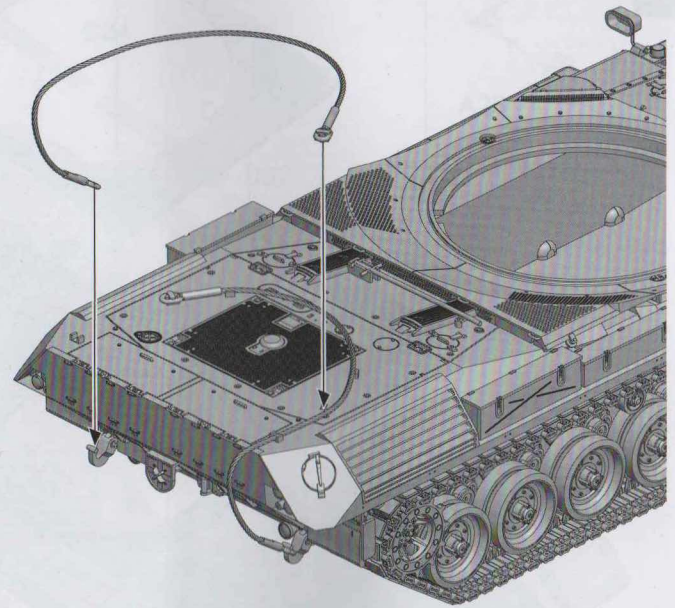
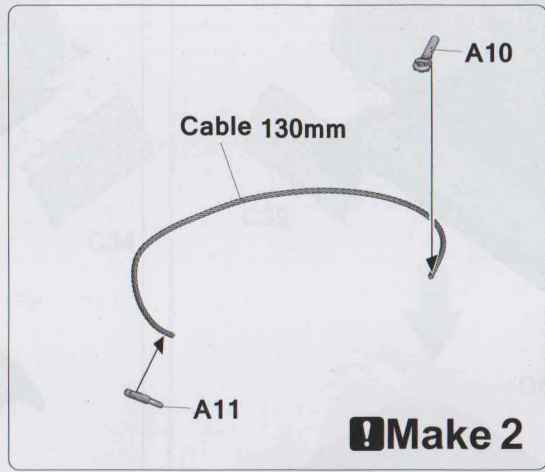




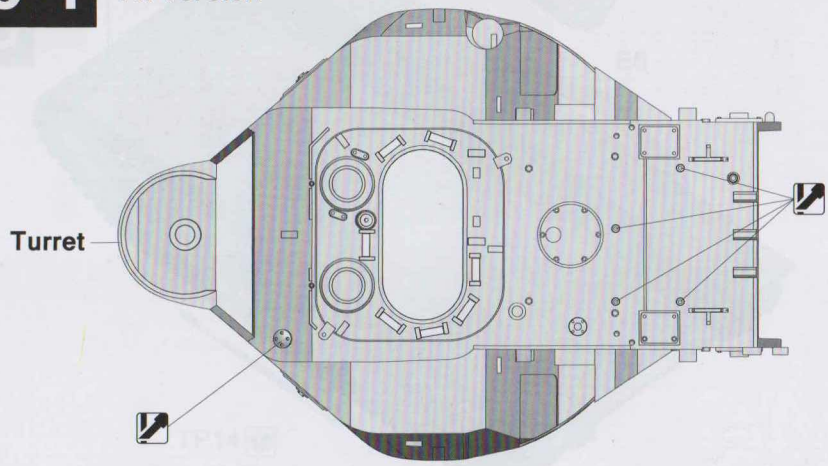
14



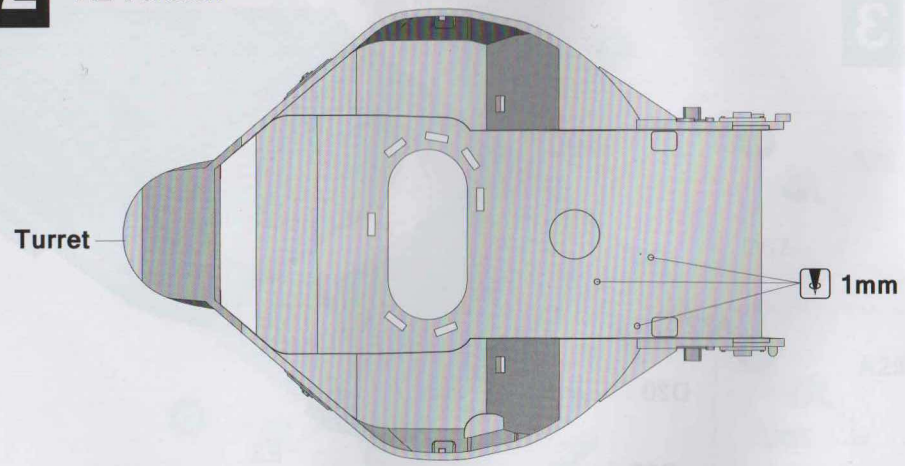
15



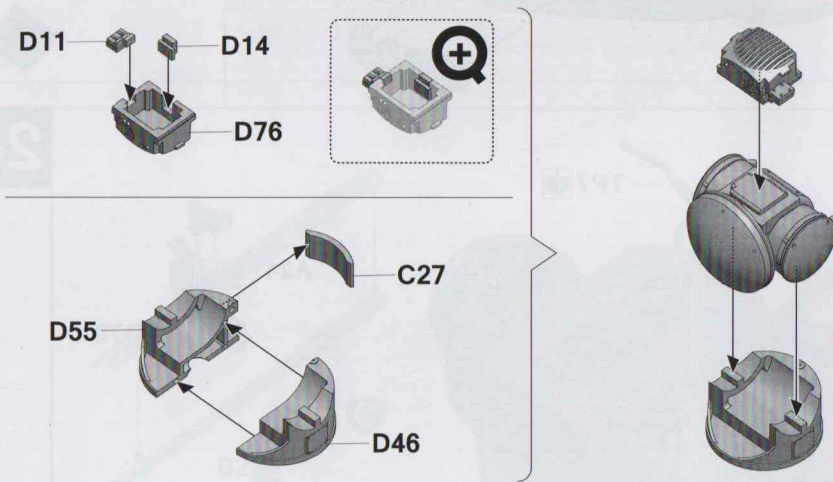
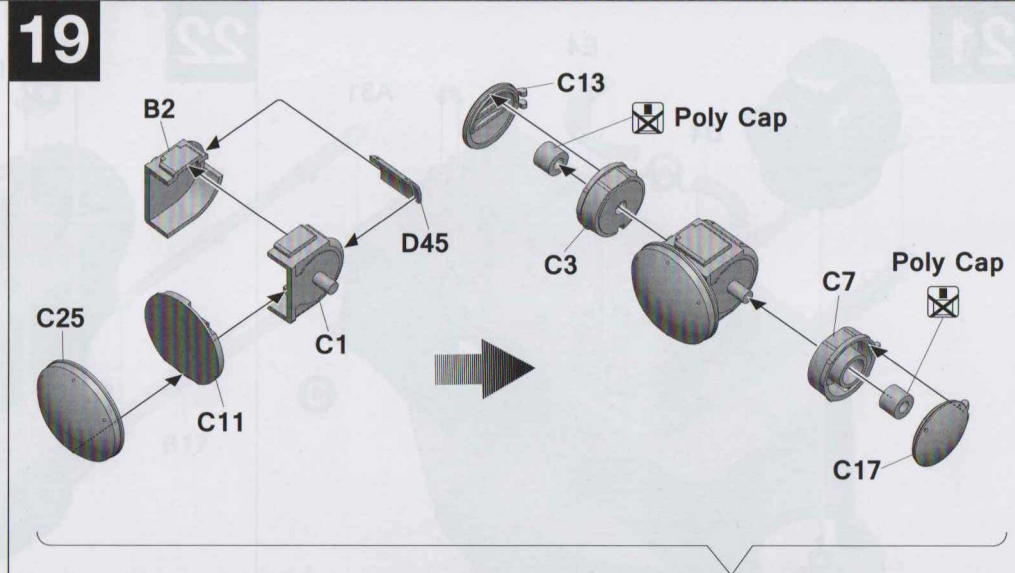
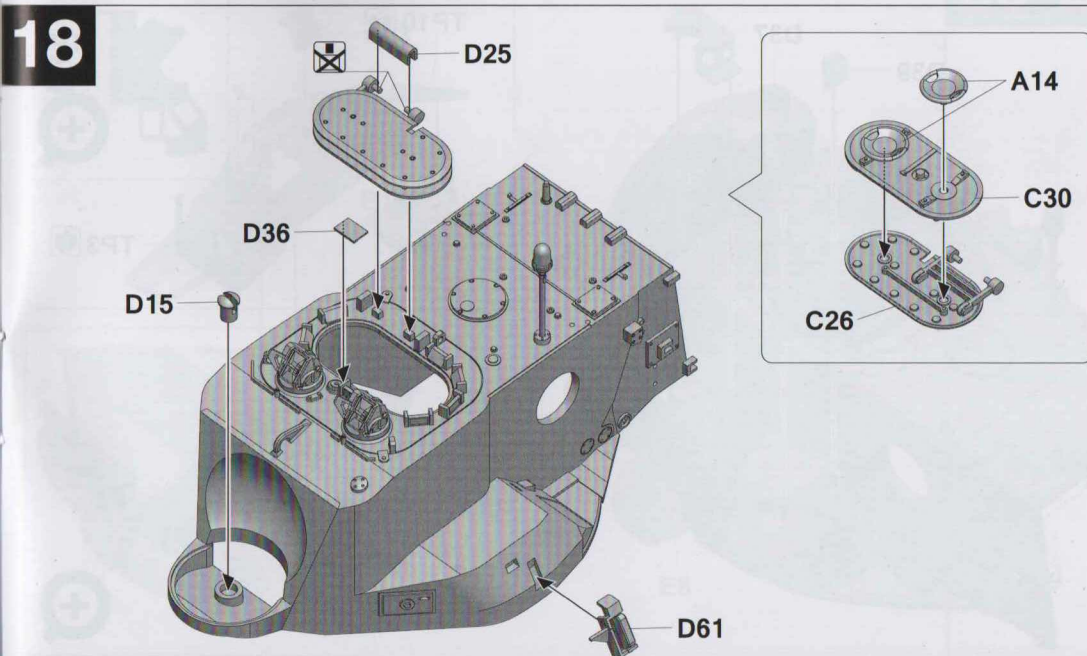
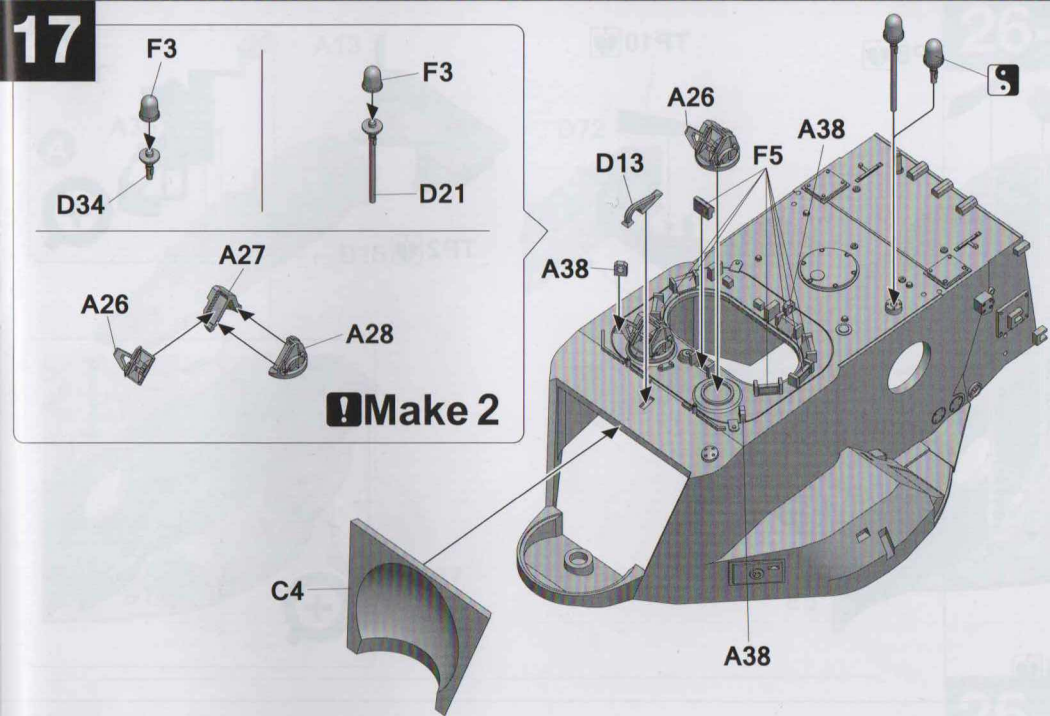
16-1 A1 Version



16-2 A2 Version

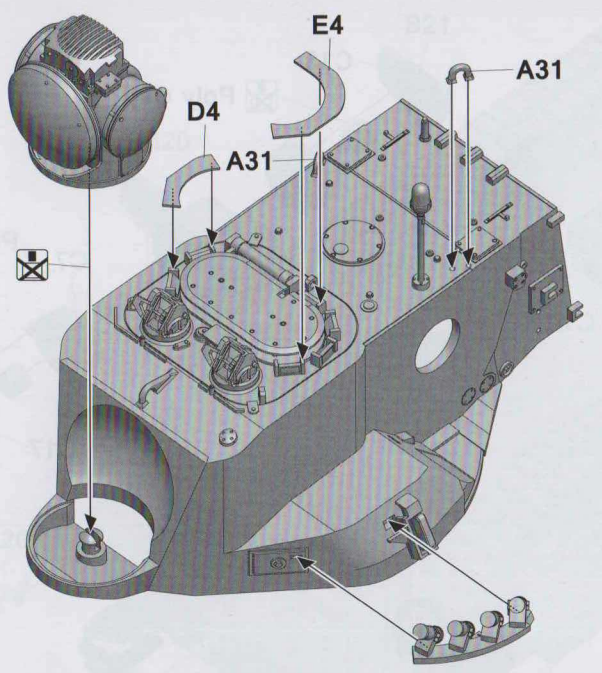




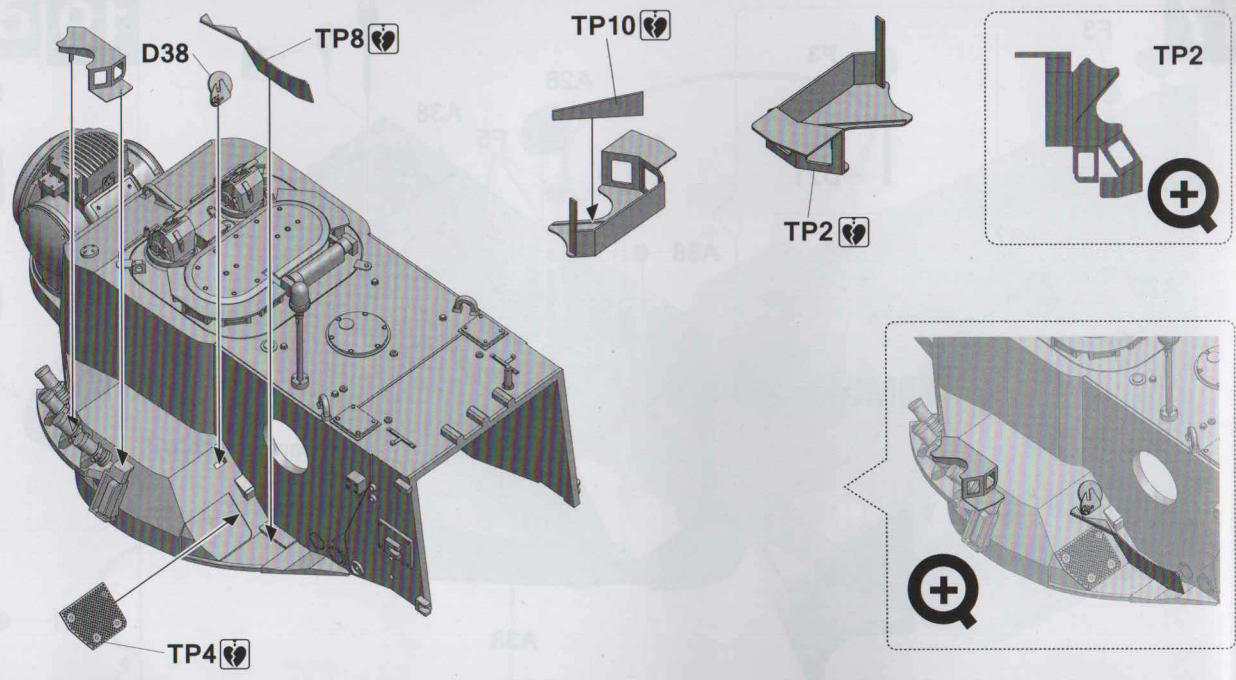




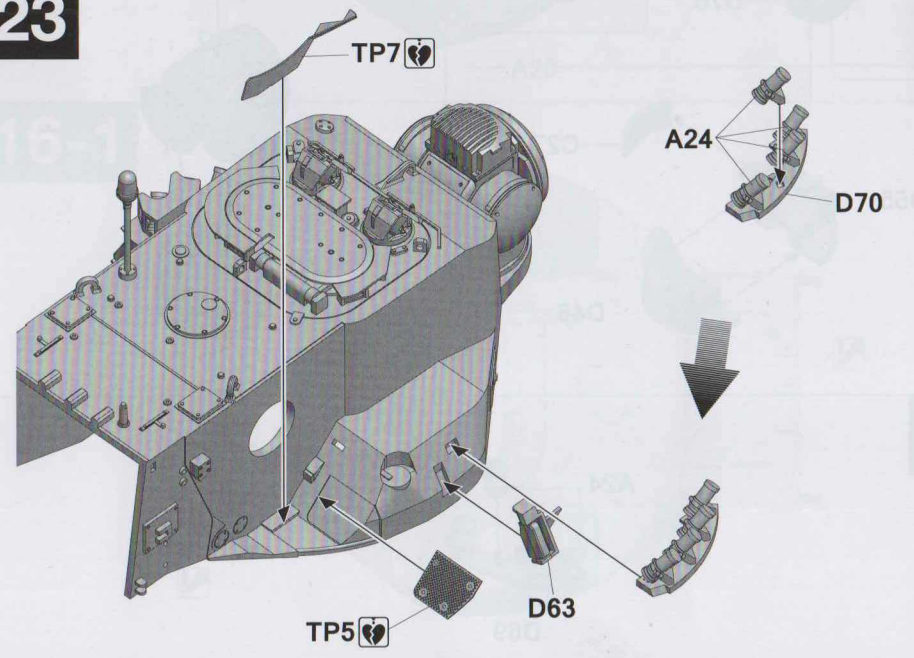
21



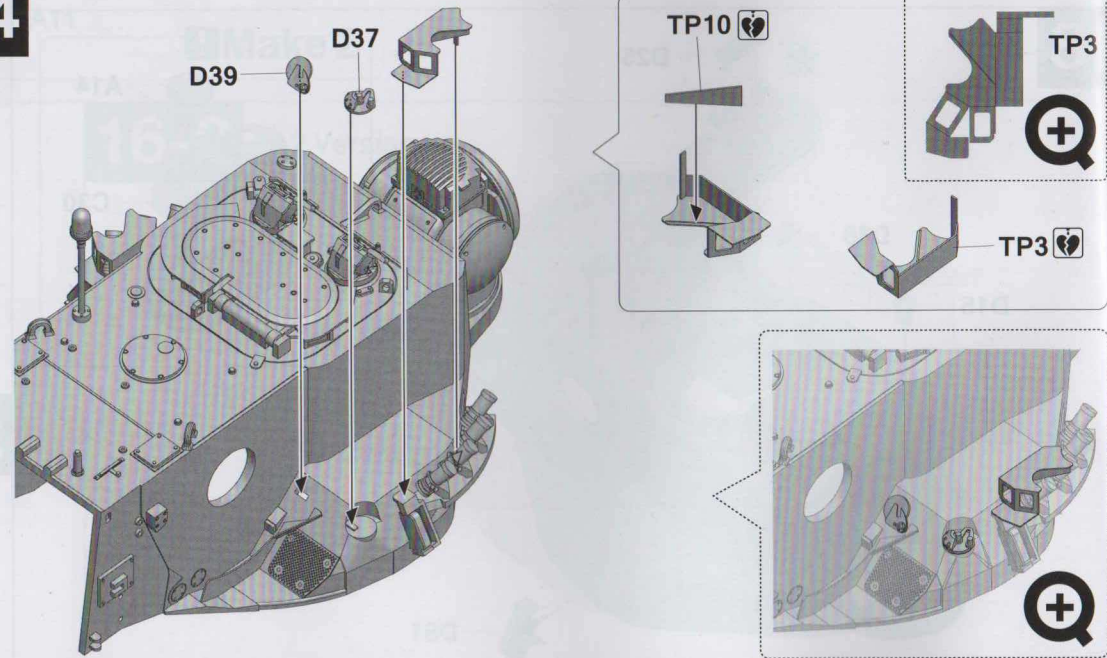
22



23

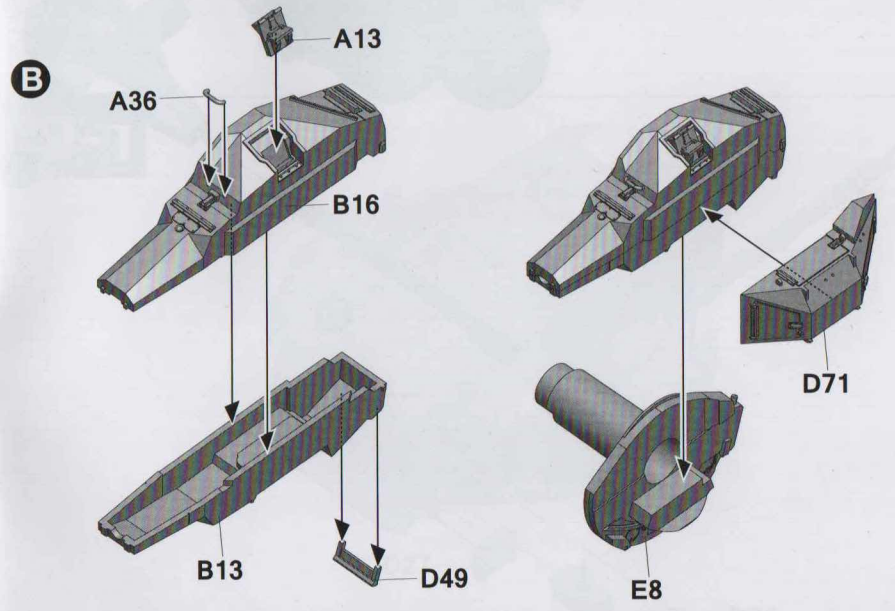
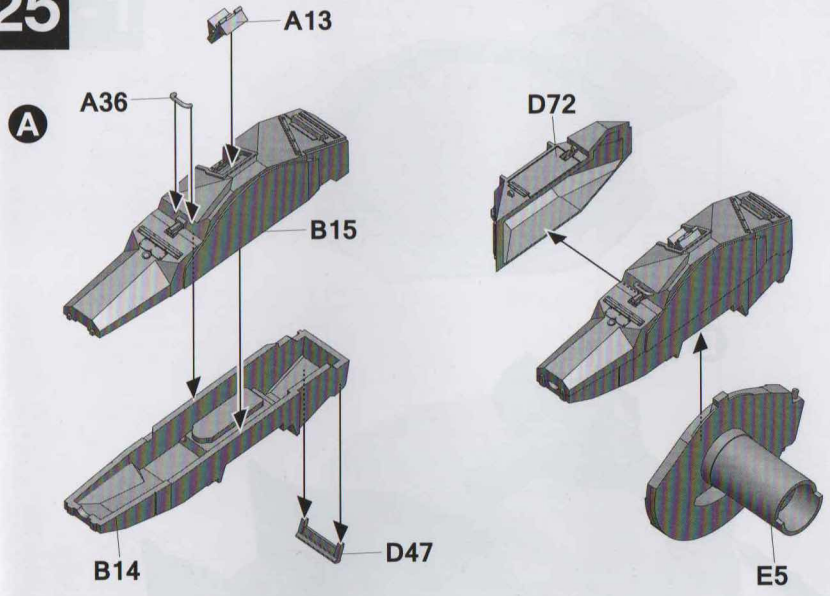


24

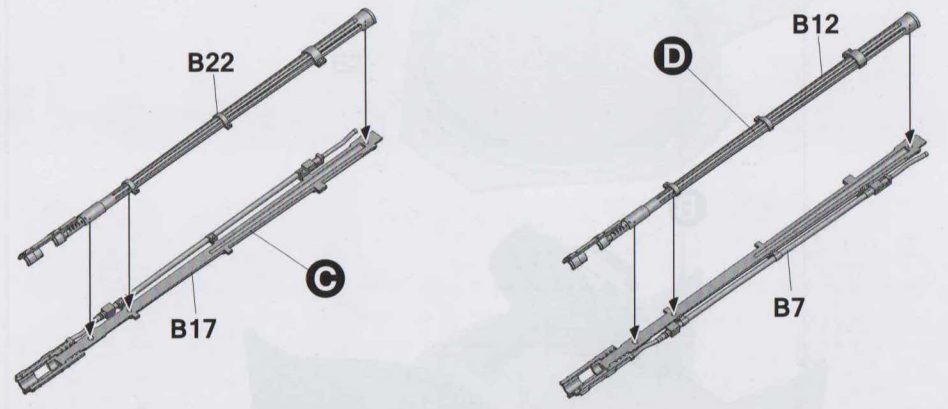




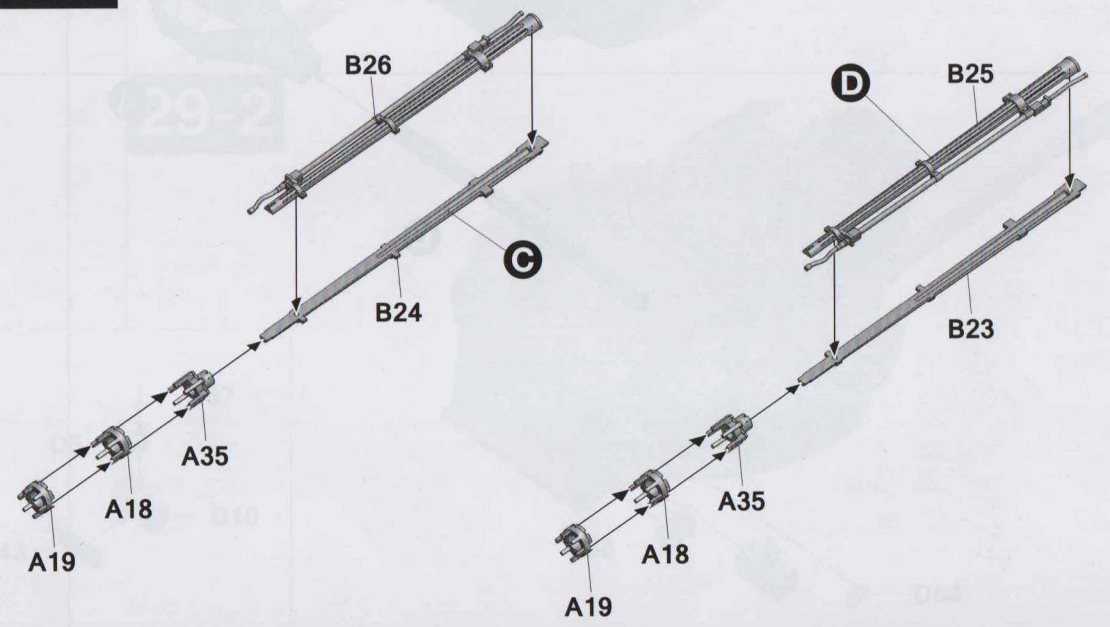
25



26-1

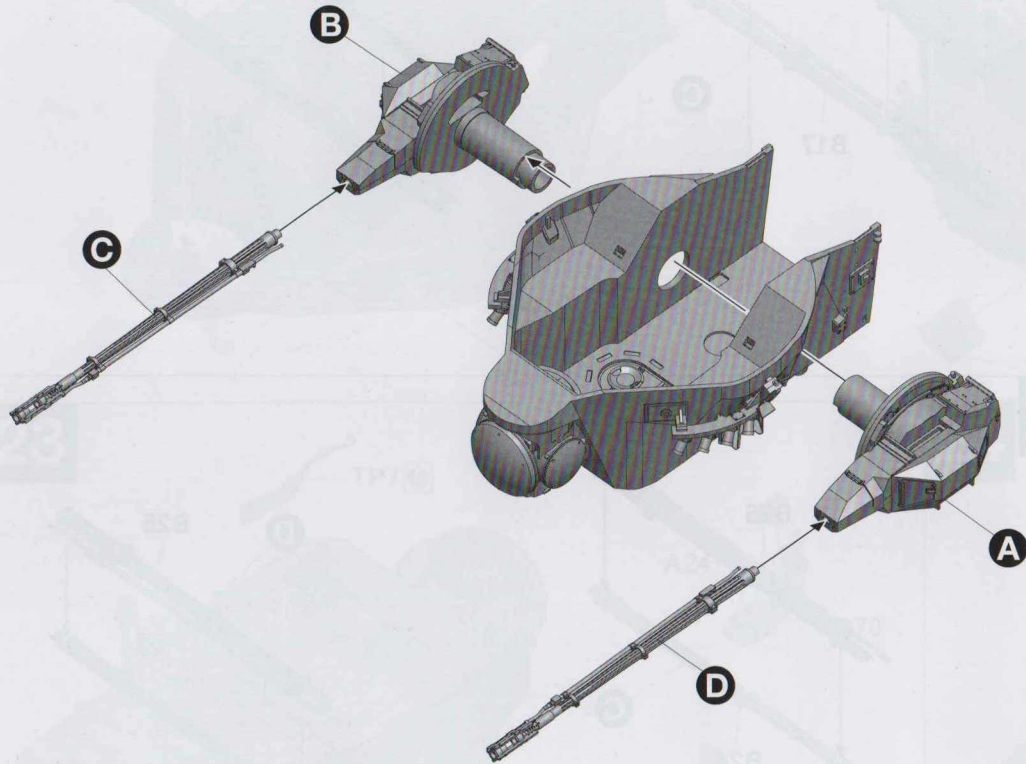


26-2

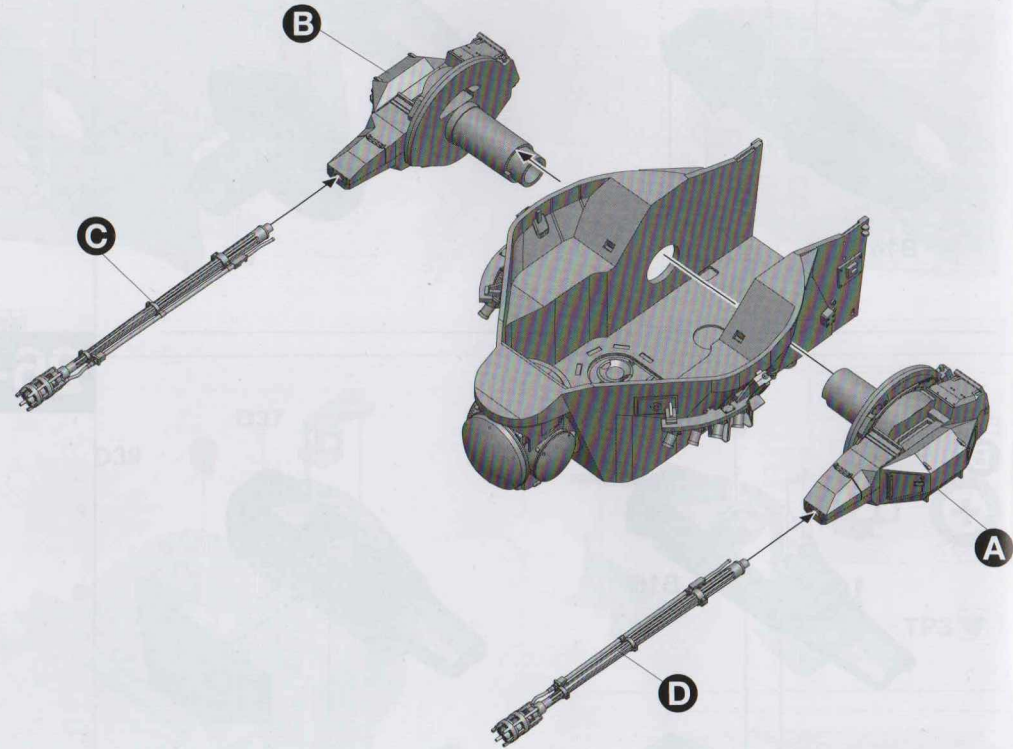




27-1

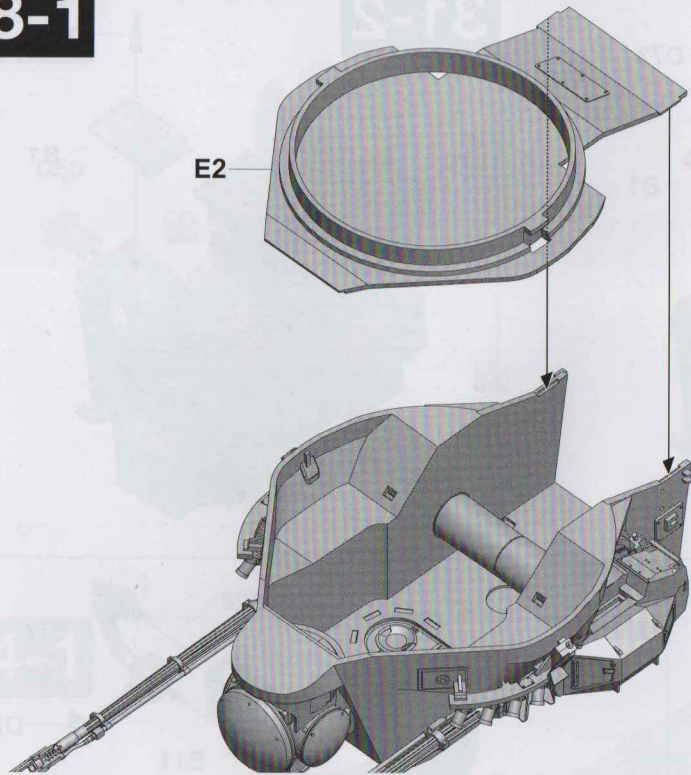


27-2

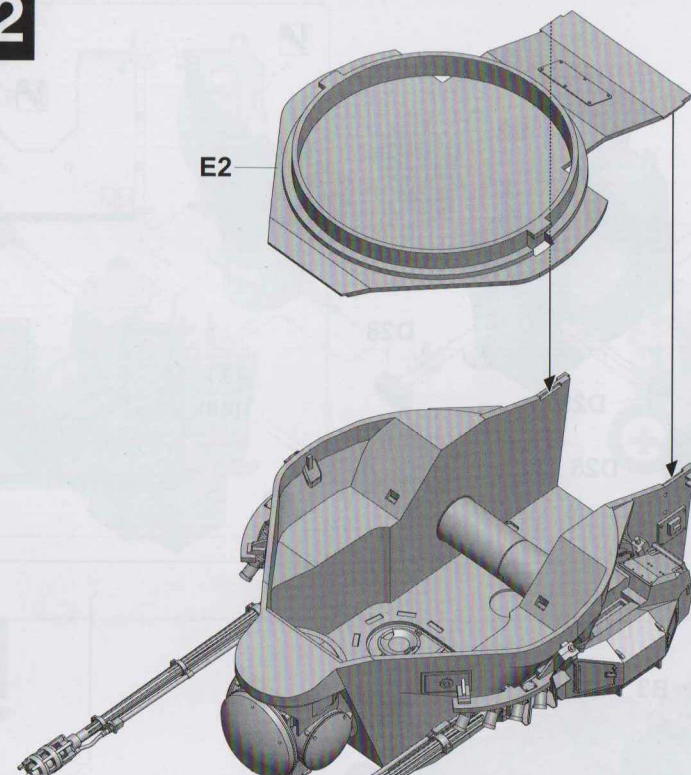




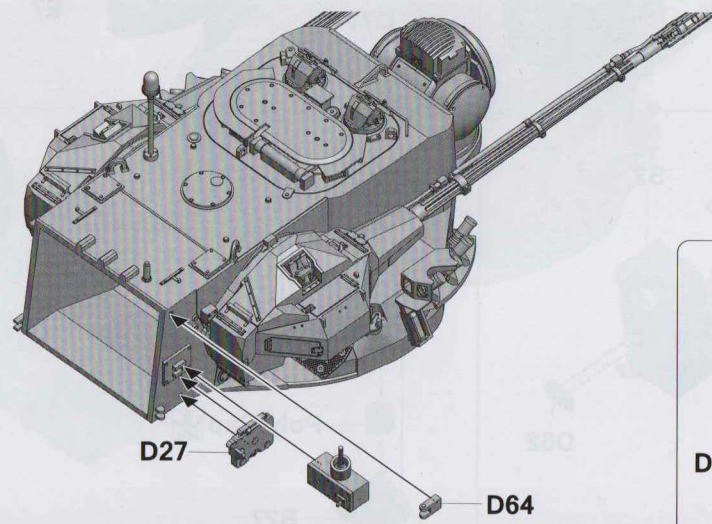
28-1



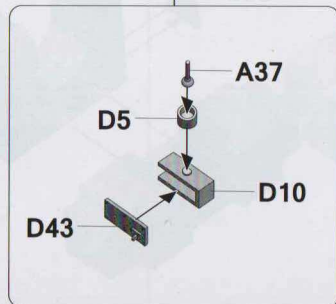
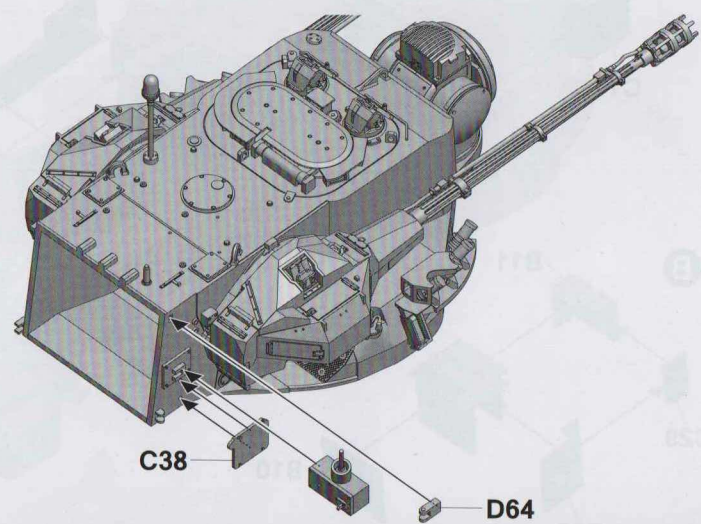
28-2



29-1

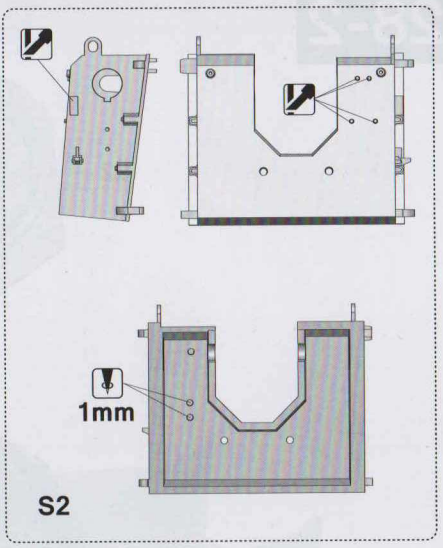
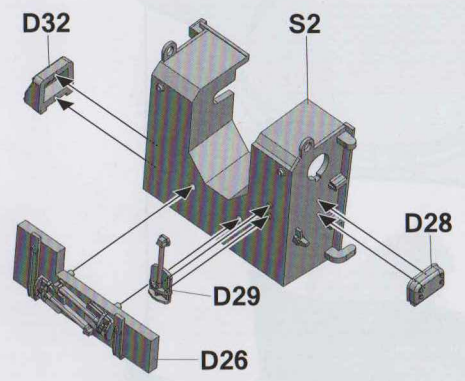


29-2

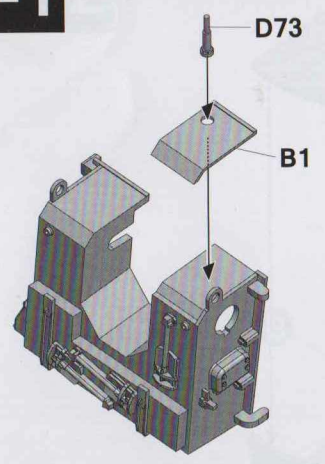




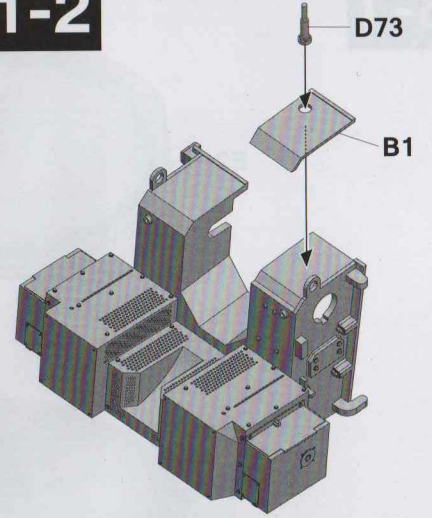
# 30-1



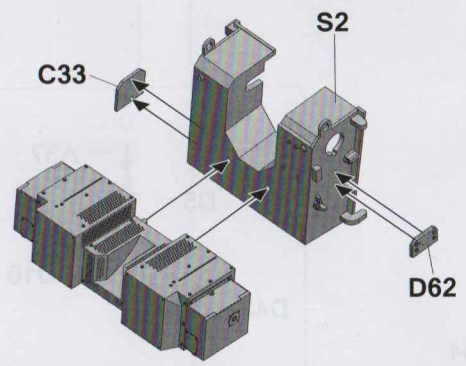
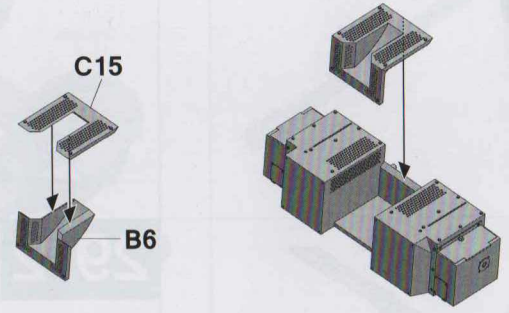
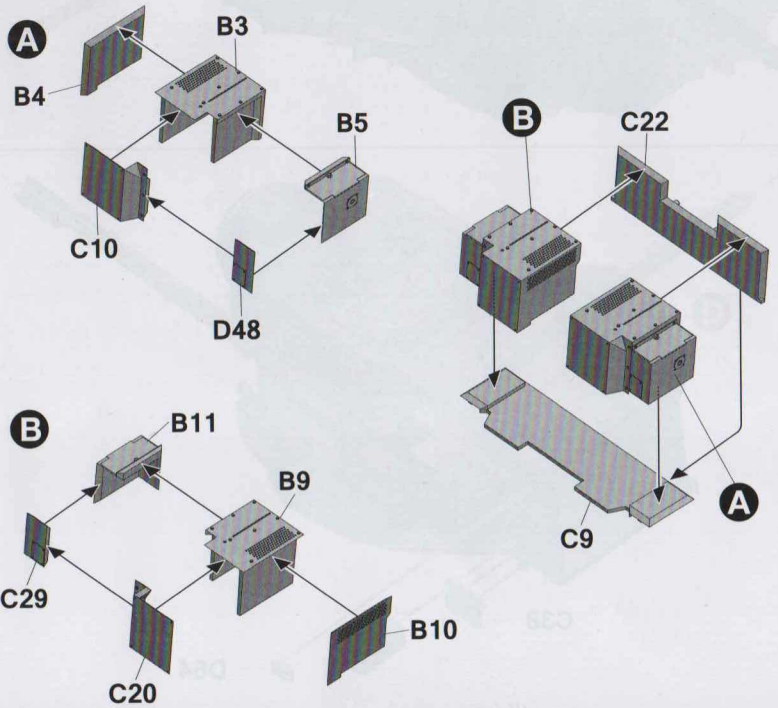
# 31-1



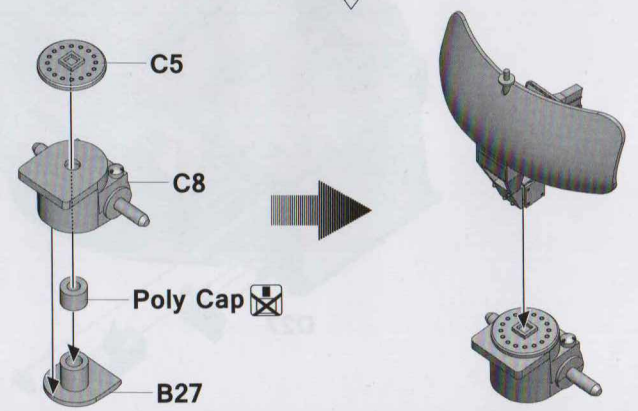
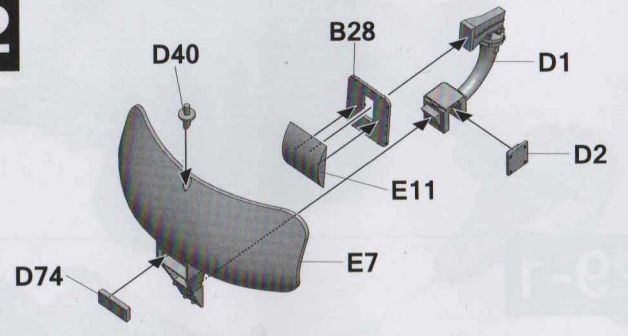
# 31-2



# 30-2

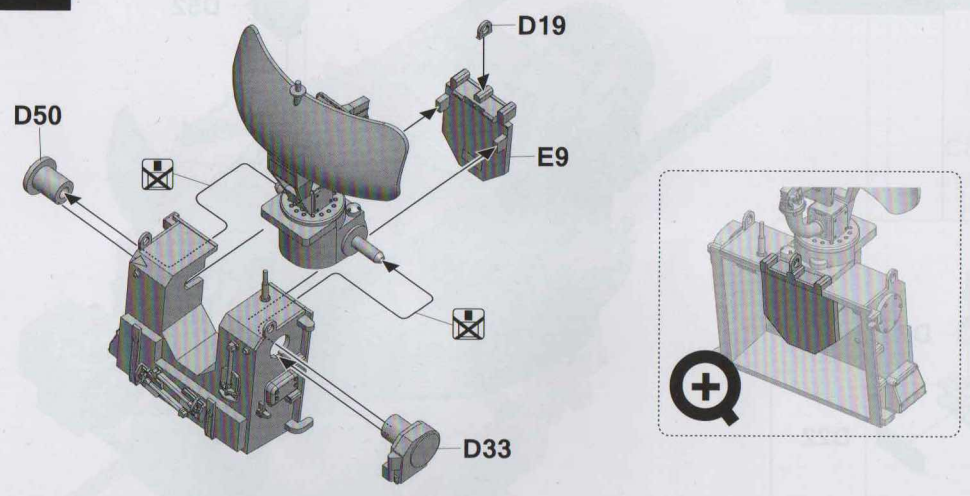


# 32

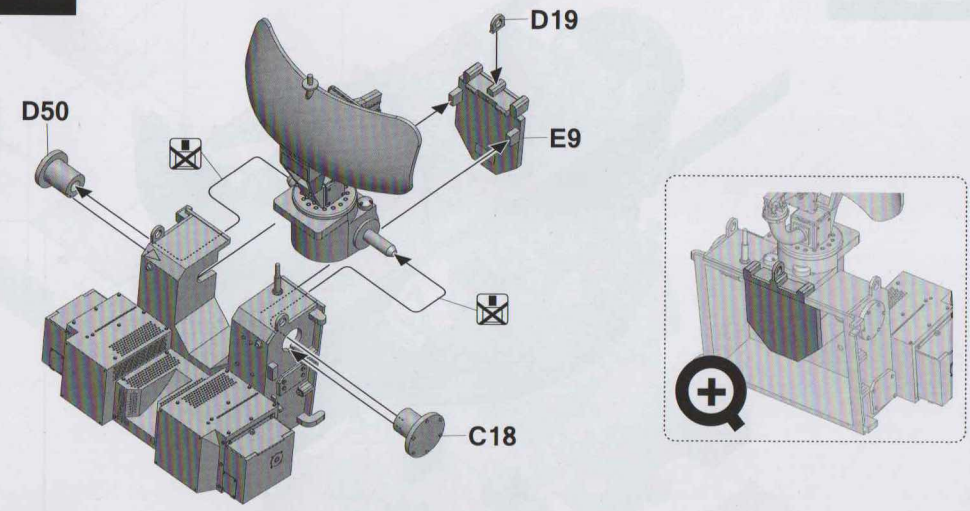




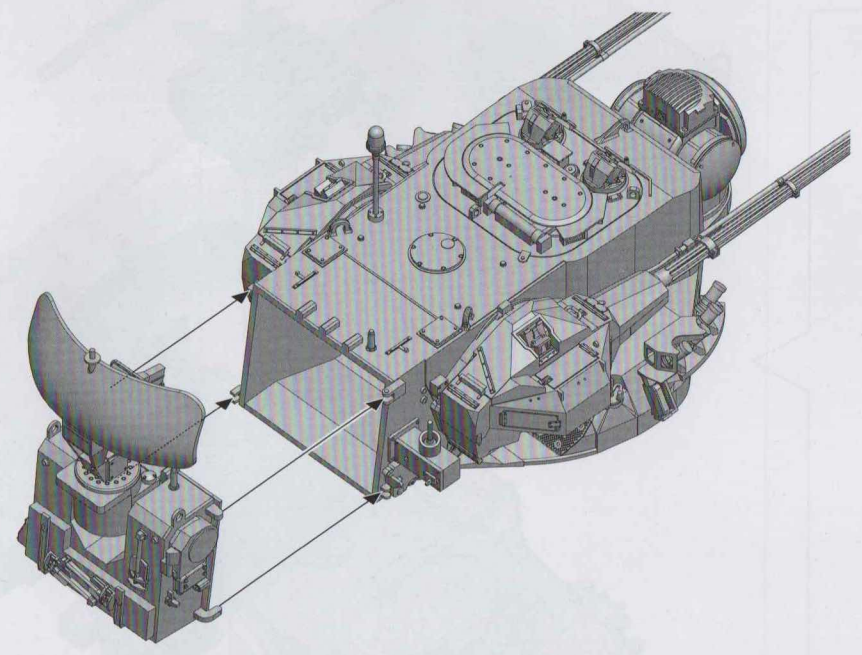
# 33-1



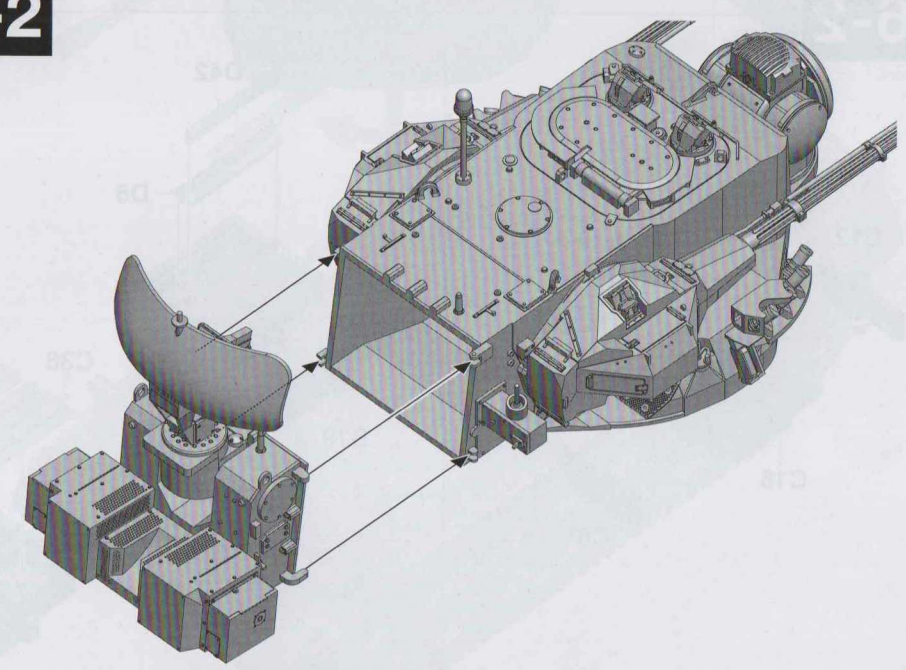
# 33-2



# 34-1

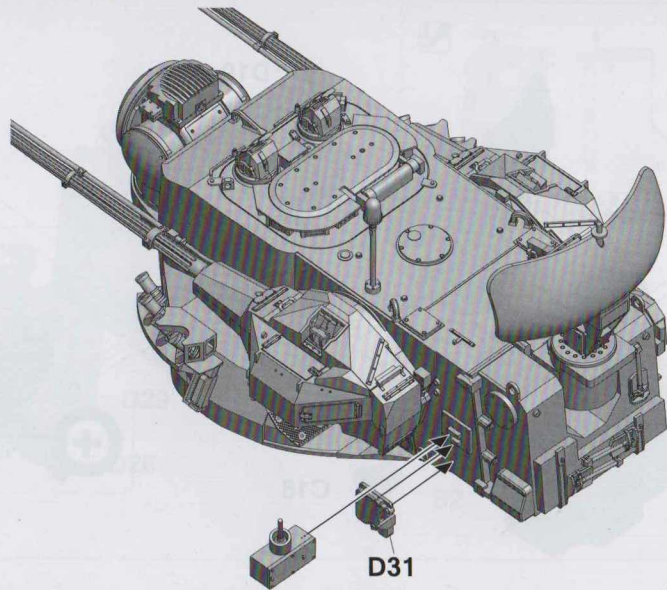


# 34-2

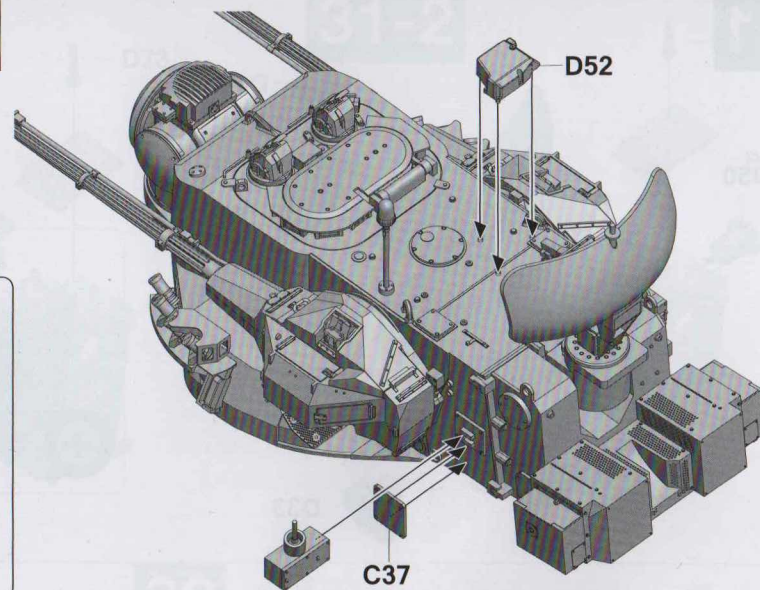




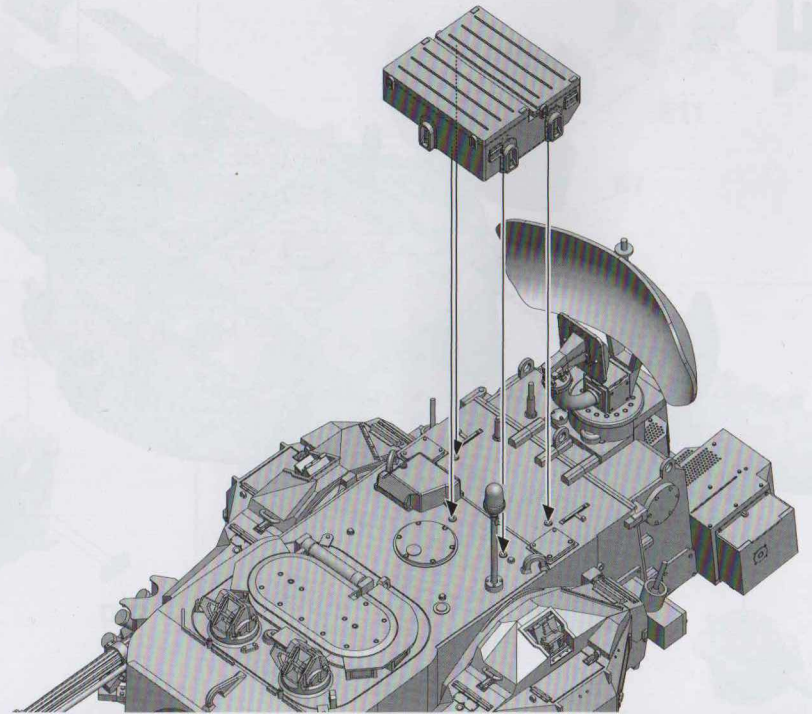
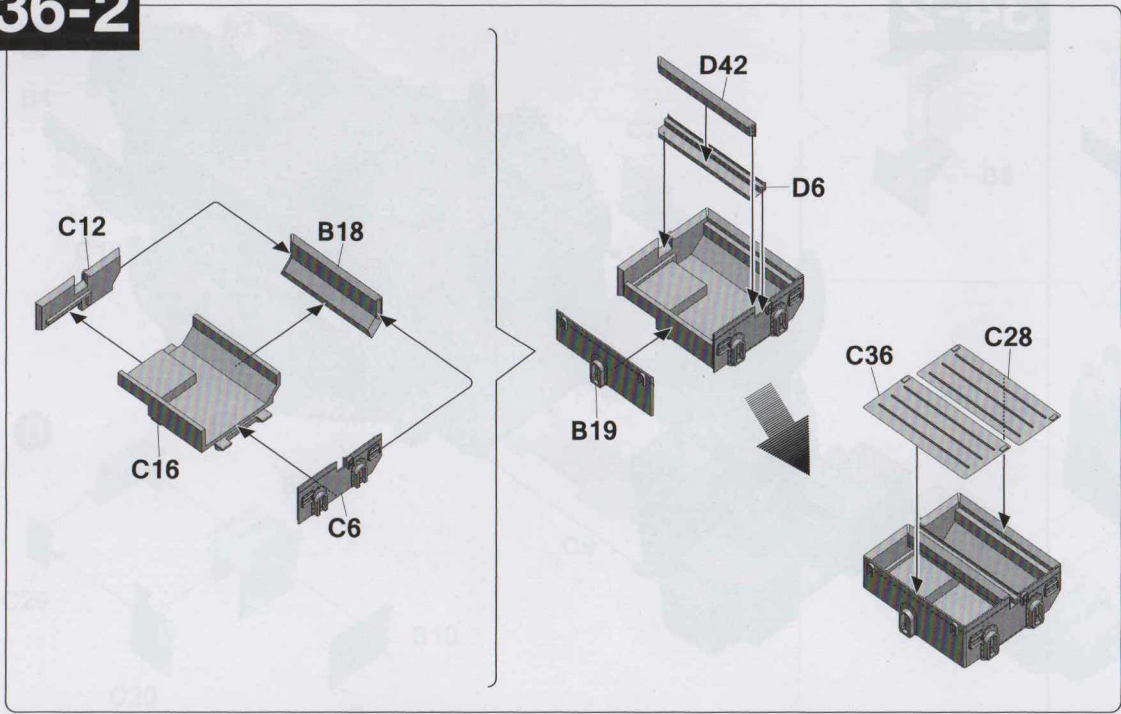
# 35-1



# 35-2

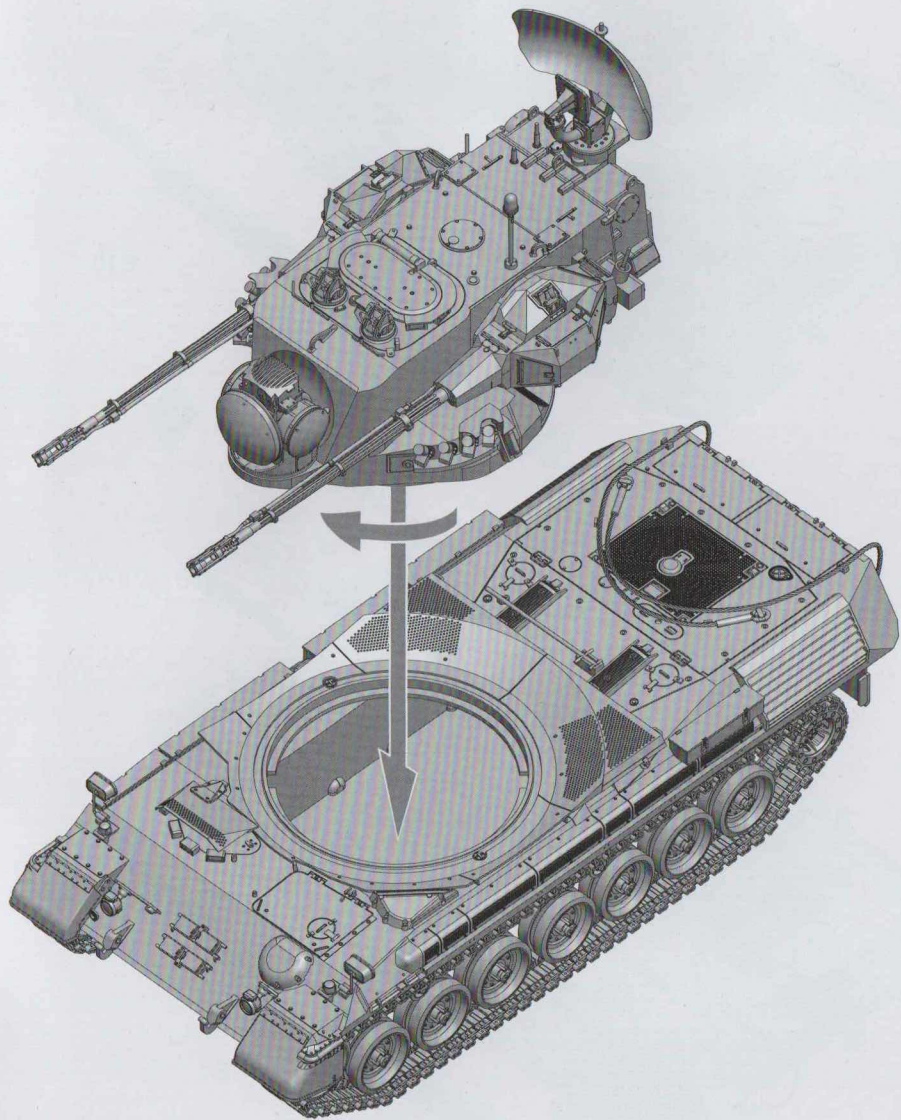


# 36-2

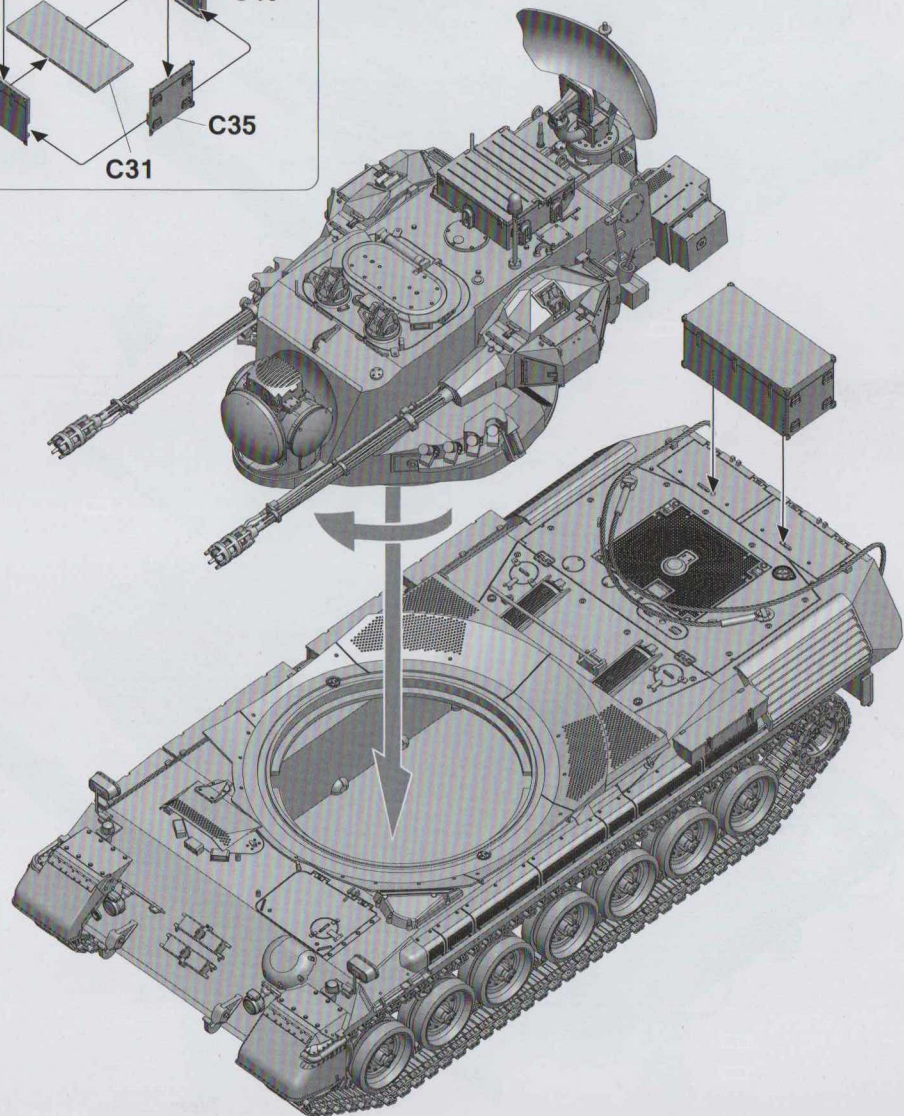
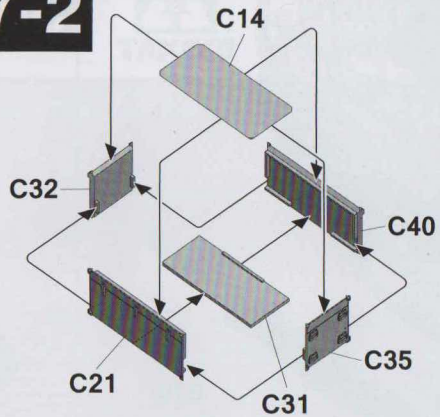




37-1



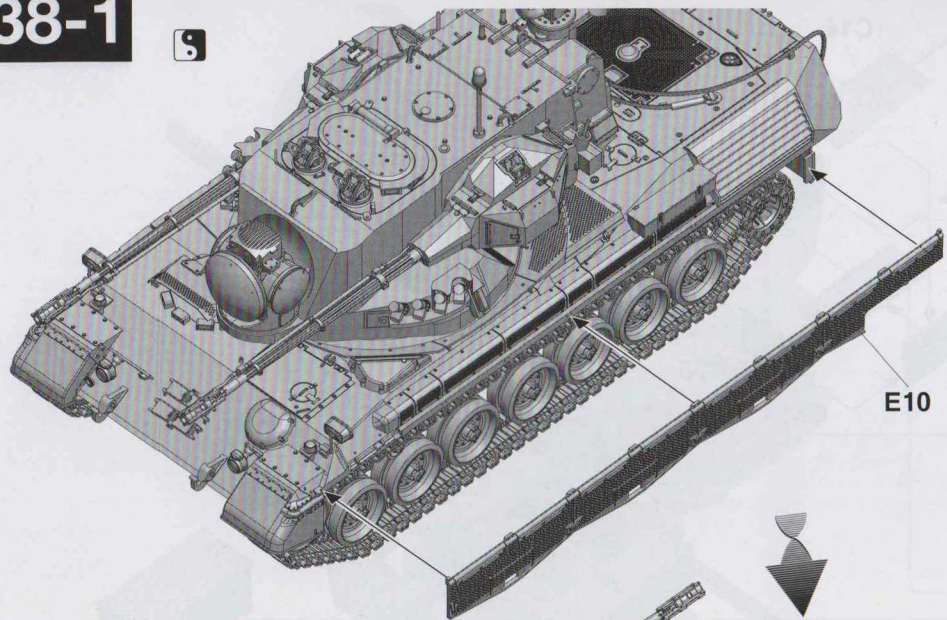
37-2



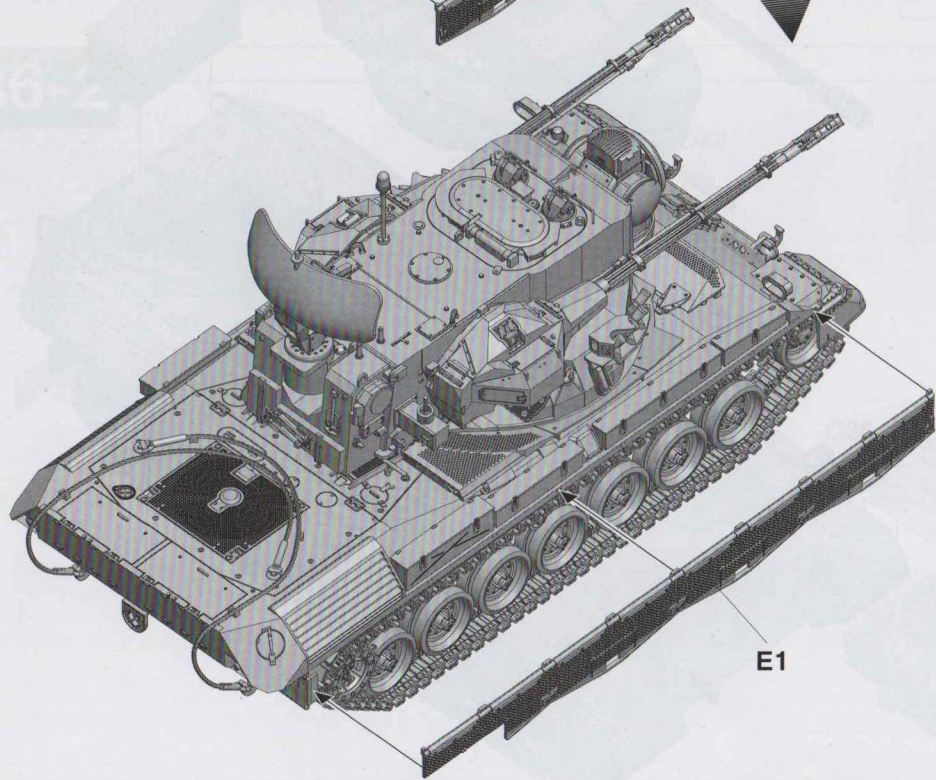


38-1

9



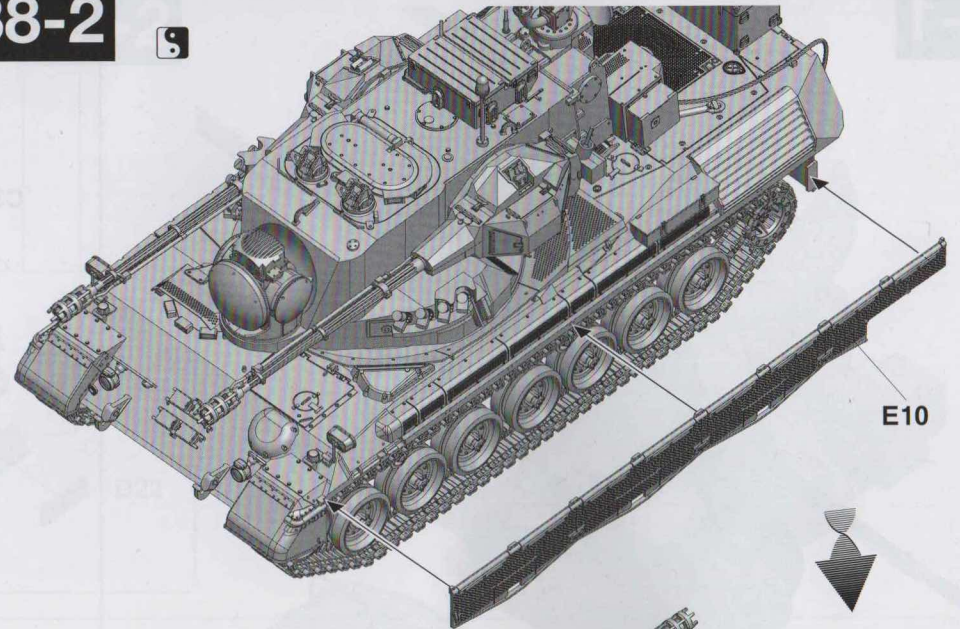
E10



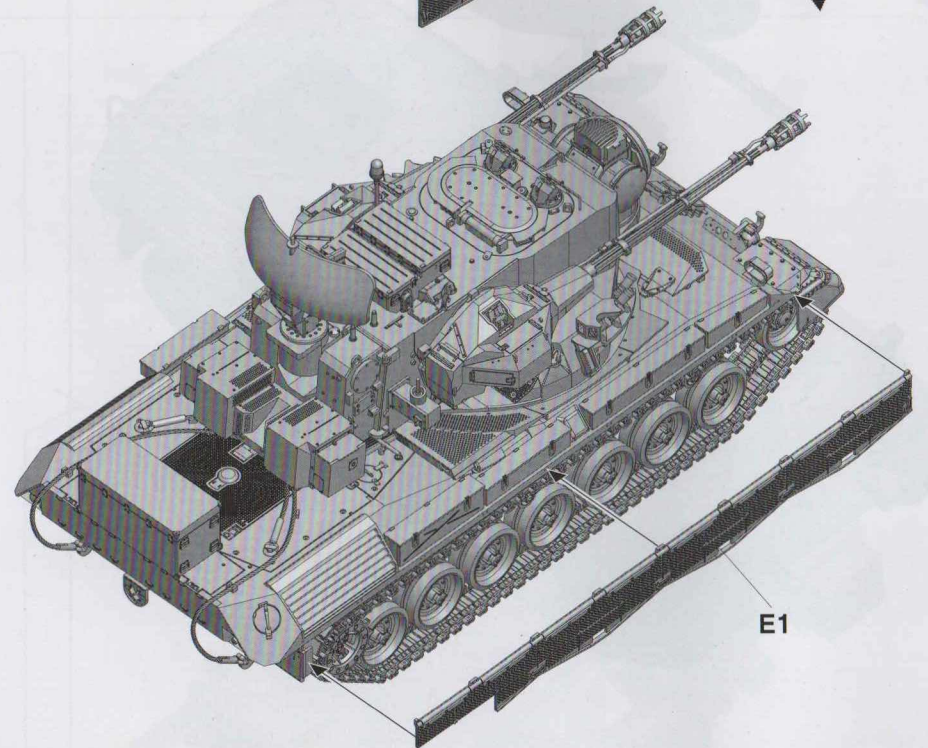
E1

38-2

9



E10



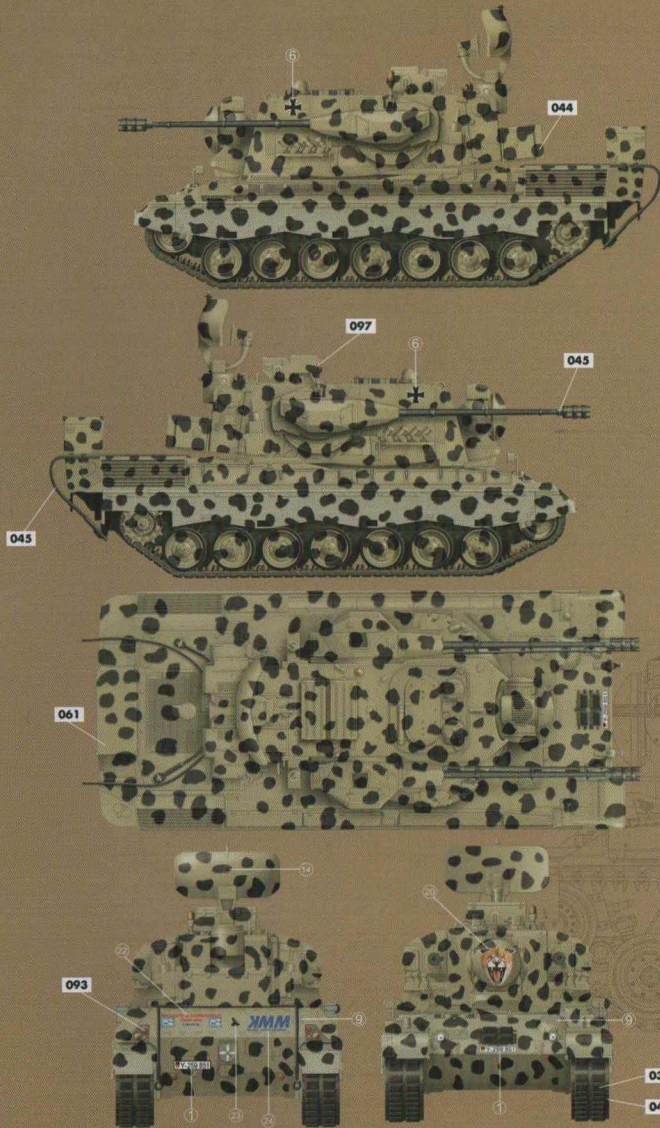
E1



## Painting and Marking Guide

- A.MIG 033 Rubber & Tires
- A.MIG 042 Old Rust
- A.MIG 045 Gun Metal
- A.MIG 093 Crystal Red
- A.MIG 097 Crystal Orange
- A.MIG 044 Brown
- A.MIG 061 Warm Sand-Yellow

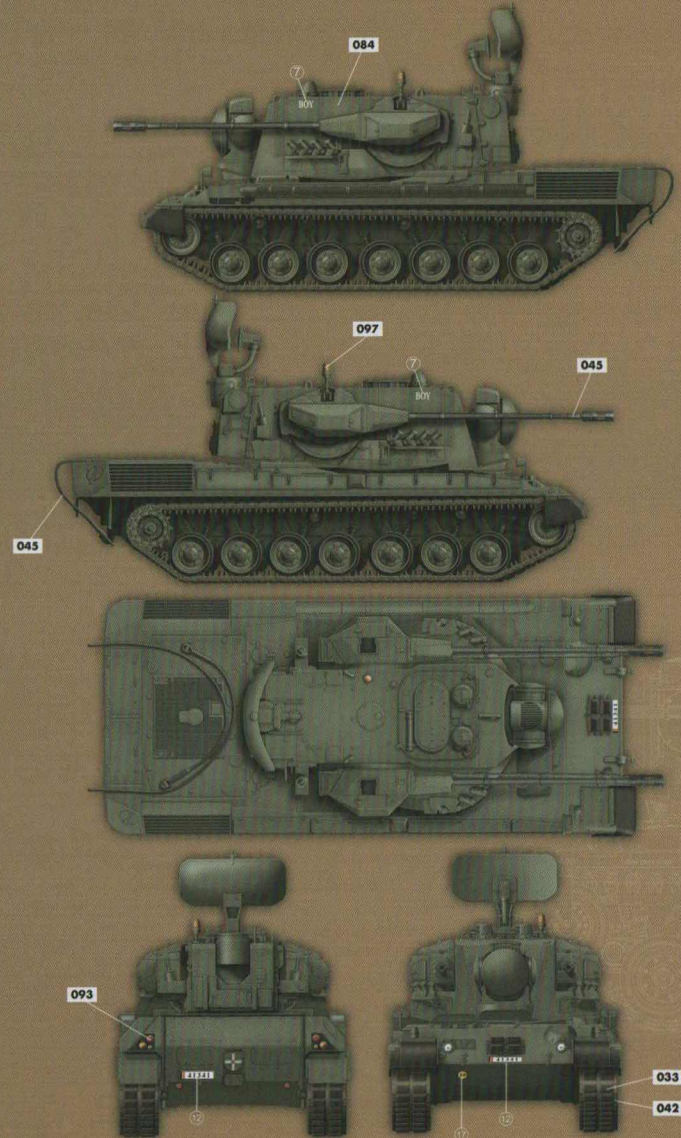
German Army



## Painting and Marking Guide

- A.MIG 033 Rubber & Tires
- A.MIG 042 Old Rust
- A.MIG 045 Gun Metal
- A.MIG 093 Crystal Red
- A.MIG 097 Crystal Orange
- A.MIG 084 NATO Green

Belgian Army

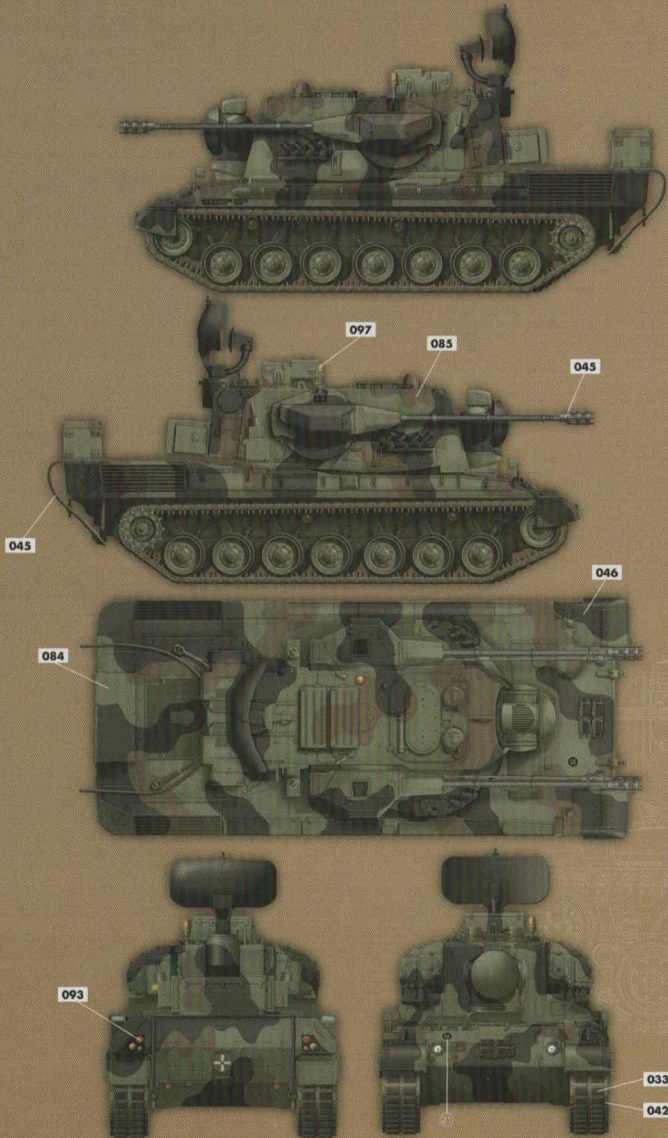




## Painting and Marking Guide

- A.MIG 033 Rubber & Tires
- A.MIG 042 Old Rust
- A.MIG 045 Gun Metal
- A.MIG 093 Crystal Red
- A.MIG 097 Crystal Orange
- A.MIG 046 Matt Black
- A.MIG 084 NATO Green
- A.MIG 085 NATO Brown

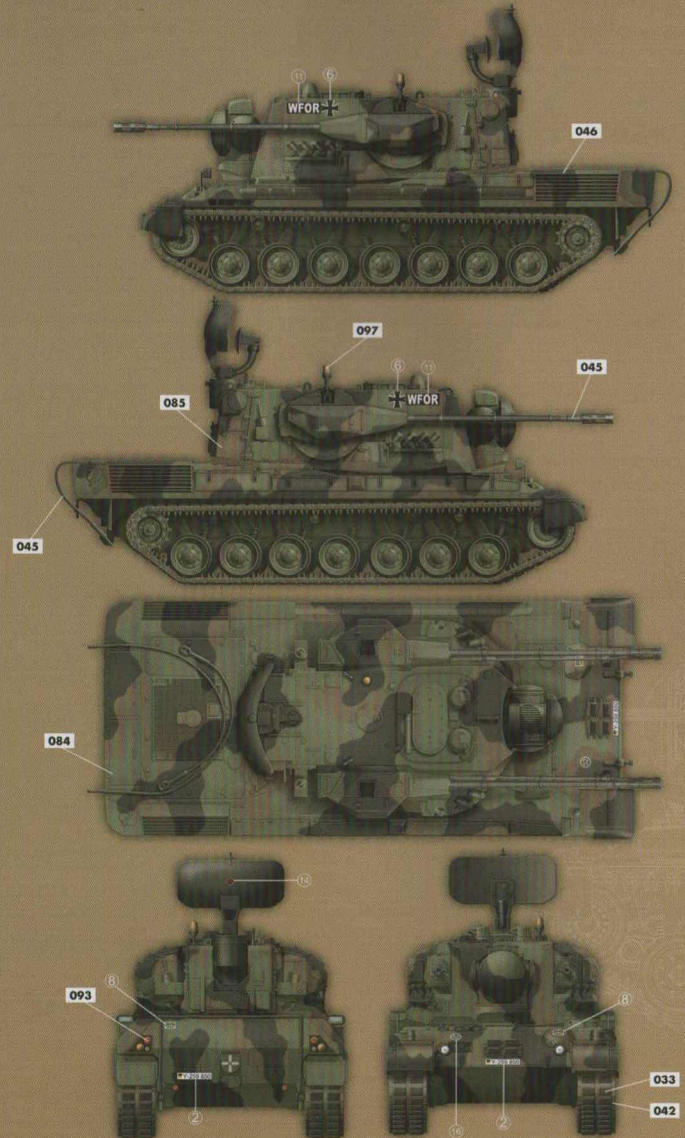
Brazilian Army



## Painting and Marking Guide

- A.MIG 033 Rubber & Tires
- A.MIG 042 Old Rust
- A.MIG 045 Gun Metal
- A.MIG 093 Crystal Red
- A.MIG 097 Crystal Orange
- A.MIG 046 Matt Black
- A.MIG 084 NATO Green
- A.MIG 085 NATO Brown

German Army

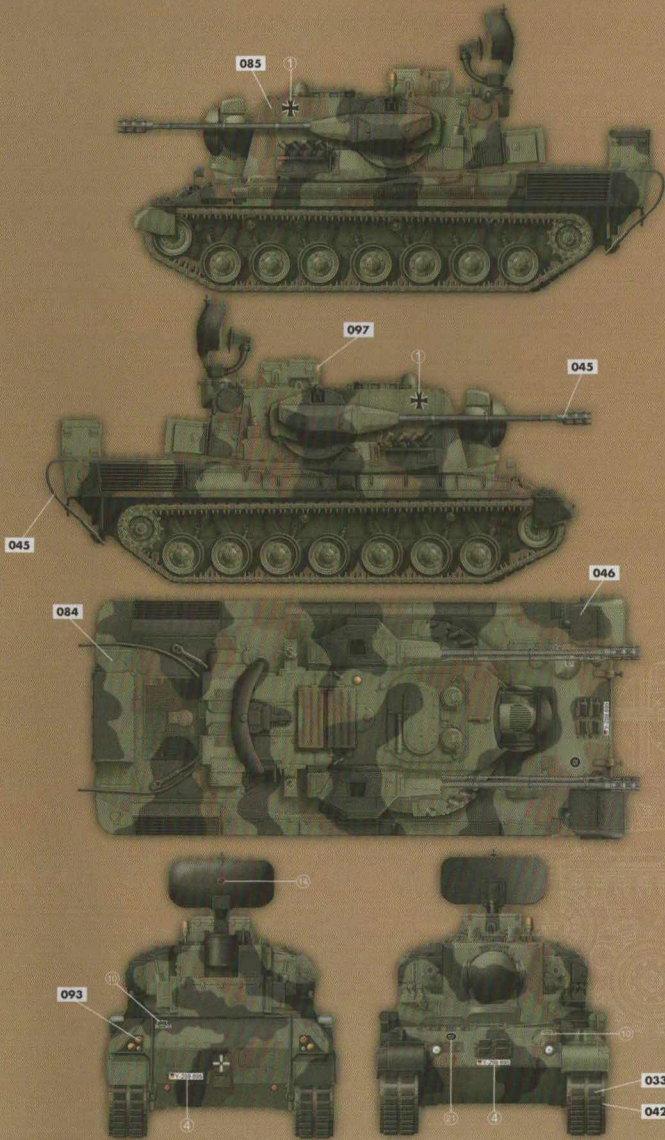




## Painting and Marking Guide

- A.MIG 033** Rubber & Tires
- A.MIG 042** Old Rust
- A.MIG 045** Gun Metal
- A.MIG 093** Crystal Red
- A.MIG 097** Crystal Orange
- A.MIG 046** Matt Black
- A.MIG 084** NATO Green
- A.MIG 085** NATO Brown

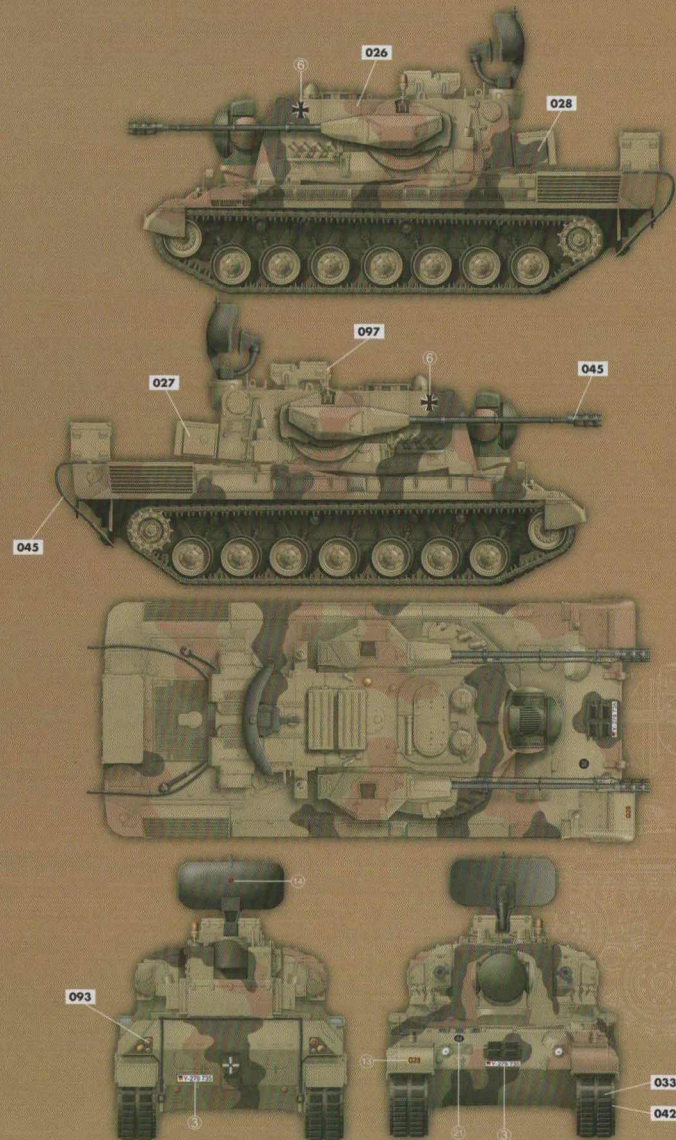
German Army



## Painting and Marking Guide

- A.MIG 033** Rubber & Tires
- A.MIG 042** Old Rust
- A.MIG 045** Gun Metal
- A.MIG 093** Crystal Red
- A.MIG 097** Crystal Orange
- A.MIG 026** German Sand Brown
- A.MIG 027** German Sand Beige
- A.MIG 028** German Grey Beige

German Army



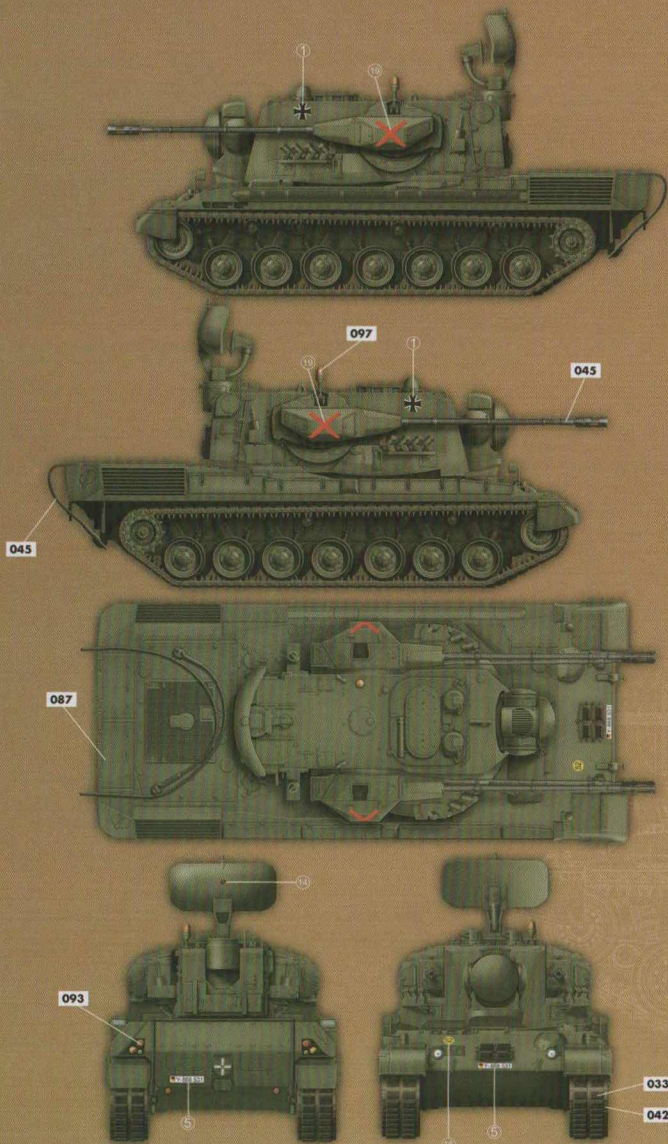


## Painting and Marking Guide

A.MIG 033 Rubber & Tires  
 A.MIG 042 Old Rust  
 A.MIG 045 Gun Metal  
 A.MIG 093 Crystal Red

A.MIG 097 Crystal Orange  
 A.MIG 087 RAL 6014 GELBOUV

German Army

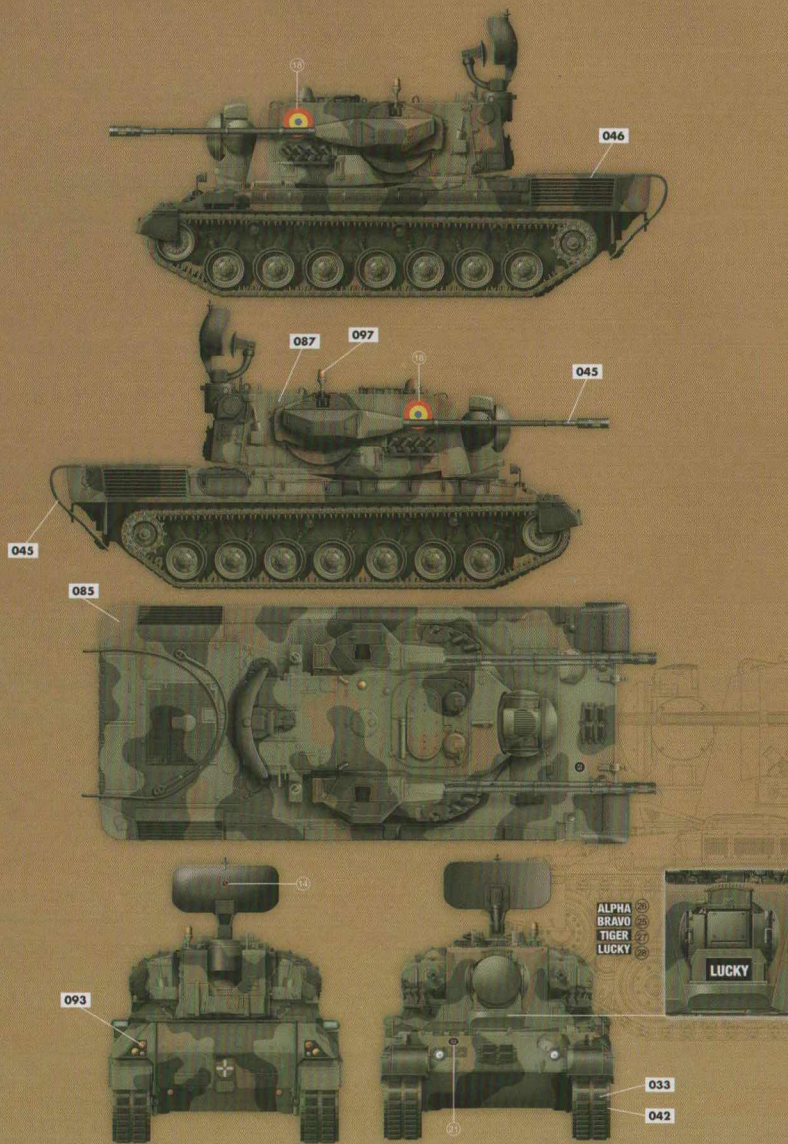


## Painting and Marking Guide

A.MIG 033 Rubber & Tires  
 A.MIG 042 Old Rust  
 A.MIG 045 Gun Metal  
 A.MIG 093 Crystal Red

A.MIG 097 Crystal Orange  
 A.MIG 046 Matt Black  
 A.MIG 085 NATO Brown  
 A.MIG 087 RAL 6014 GELBOUV

Romanian Army





A DETAILED STATIC DISPLAY PLASTIC MODEL  
 A READY TO ASSEMBLE WORKABLE TRACKS  
 A MAIN GUN AND SUSPENSION PARTS ARE  
 EXACTLY REPRODUCED  
 A PE PARTS INCLUDED  
 ALL THE WHEELS ARE WORKABLE  
 A 2 PCH METAL GUN BARRELS INCLUDED

WWI HEAVY BATTLE TANK  
**MARK.IV TADPOLE**

CEMENT-FREE  
 WORKABLE  
 TRACKS

2 METAL BARRELS



A READY TO ASSEMBLE PRECISION MODEL KIT  
 A MODELING SKILLS HELPFUL IF UNDER 14 YEARS OF AGE  
 MODEL MAY VARY FROM IMAGE ON BOX  
 CEMENT AND PAINT NOT INCLUDED

1/35  
 No.2015

BRITISH MAIN BATTLE TANK

**CHIEFTAIN Mk.11**



A READY TO ASSEMBLE PRECISION MODEL KIT INTENDED FOR COLLECTORS OF AGE 14 YEARS AND ABOVE  
 A MODEL MAY VARY FROM IMAGE ON BOX  
 CEMENT AND PAINT NOT INCLUDED

1/35  
 No.2026

A DETAILED STATIC DISPLAY PLASTIC MODEL  
 A PE & CLEAR PARTS INCLUDED  
 AN INDIVIDUAL TRACKS  
 8 TYPES OF MARKINGS  
 A THE GUN CAN FITCH  
 ALL HATCHES CAN BE BUILT IN OPEN OR CLOSED POSITION

**UKRAINE KRAZ-6322** [LATE TYPE] **HEAVY TRUCK**

READY TO ASSEMBLE PRECISION MODEL KIT  
 A MODELING SKILLS HELPFUL IF UNDER 14 YEARS OF AGE  
 MODEL MAY VARY FROM IMAGE ON BOX  
 CEMENT AND PAINT NOT INCLUDED

1/35  
 No.2022

A DETAILED STATIC DISPLAY PLASTIC MODEL  
 ACCURATELY REPRODUCED CHASSIS  
 ALL THE WHEELS ARE WORKABLE  
 A FRONT WHEELS CAN BE STEERABLE  
 ALL DOORS CAN BE BUILT IN OPEN OR CLOSED POSITION  
 A COMPLETED ENGINE STRUCTURE  
 8 TYPES OF MARKINGS  
 A PE & CLEAR PARTS INCLUDED



BRITISH MAIN BATTLE TANK

**CHIEFTAIN Mk.5/P**

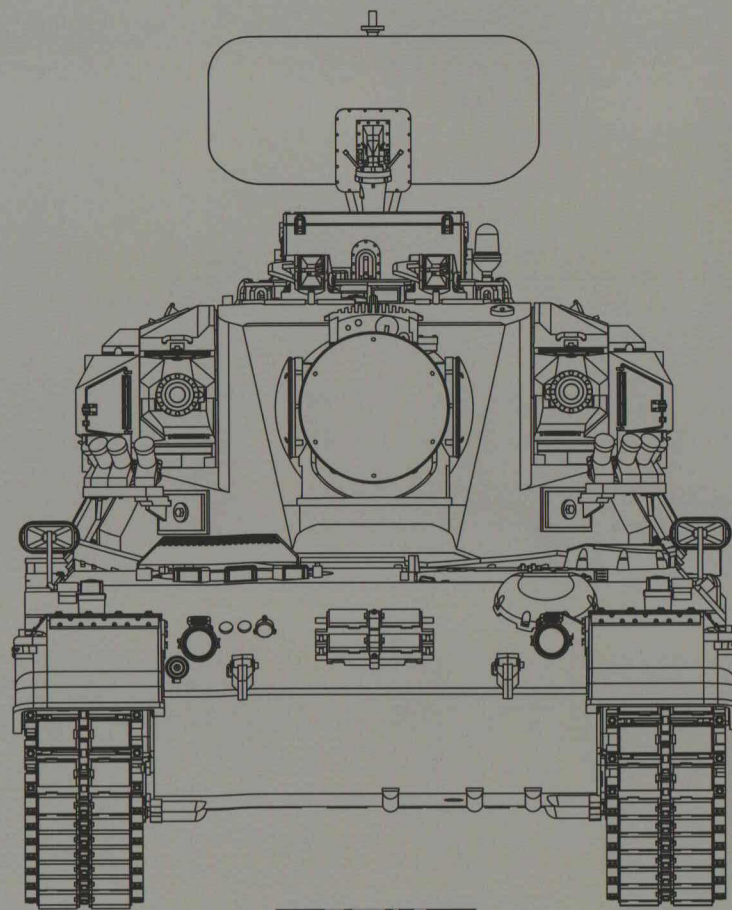
A DETAILED STATIC DISPLAY PLASTIC MODEL  
 A PE & CLEAR PARTS INCLUDED  
 AN INDIVIDUAL TRACKS  
 8 TYPES OF MARKINGS  
 A THE GUN CAN FITCH  
 ALL HATCHES CAN BE BUILT IN OPEN OR CLOSED POSITION

2 In 1

1/35  
 No.2027







You can find TAKOM on Facebook.com



# #2044X

