



Morris CS9 British Light Armored Car 'Battle of France'

MV132

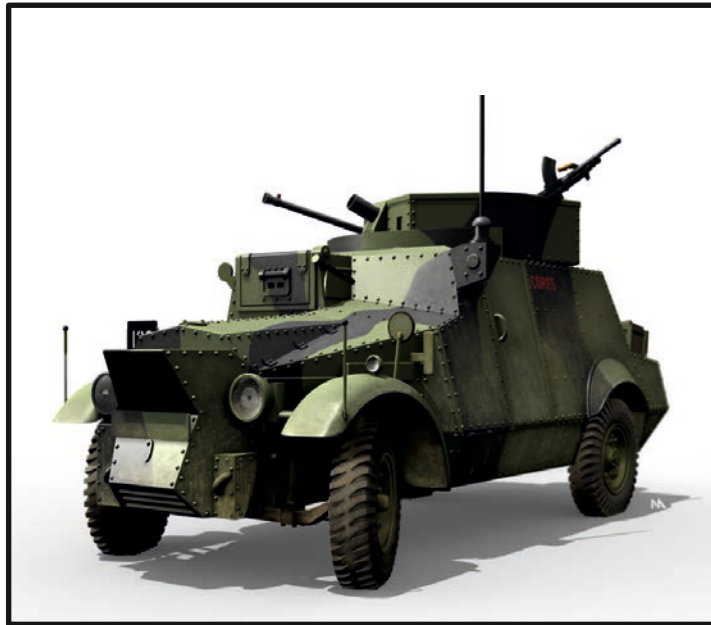
1/72

DETAILNÍ
STAVEBNICE
S RESINOVÝMI,
3D TIŠTĚNÝMI,
LEPTANÝMI DÍLY
A OBTISKY

DETAILED KIT
CONTAINS RESIN,
3D PRINTED,
P-E PARTS
AND DECAL



MADE IN THE CZECH
REPUBLIC



**Highly detailed resin kit,
includes P-E fret, decals
and 3D printed parts**



Odléváný model / All resin kit

MV134
1/72

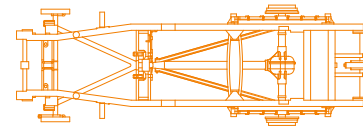
Fordson WOT2 E (15CWT) 'Wooden Cargo Bed'

Visit our official website and e-shop at

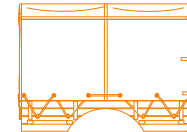
www.cmkkits.com
www.specialhobby.eu

www.facebook.com/specialhobby

3D-Printed Parts



PP1

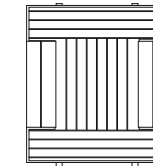


PP2

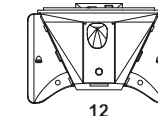
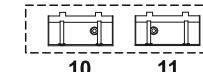
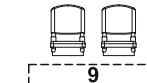


PP3

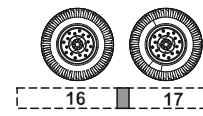
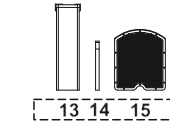
PUR - Polyurethane parts



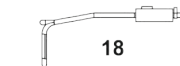
1



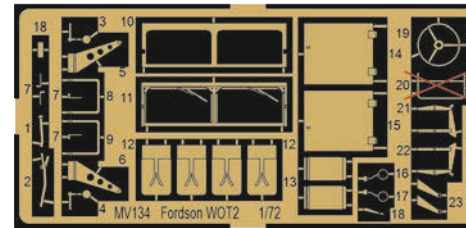
12



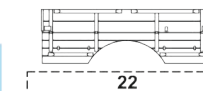
PE - Photo-etched parts



18



Obtisky / Decals



Fólie / Foil

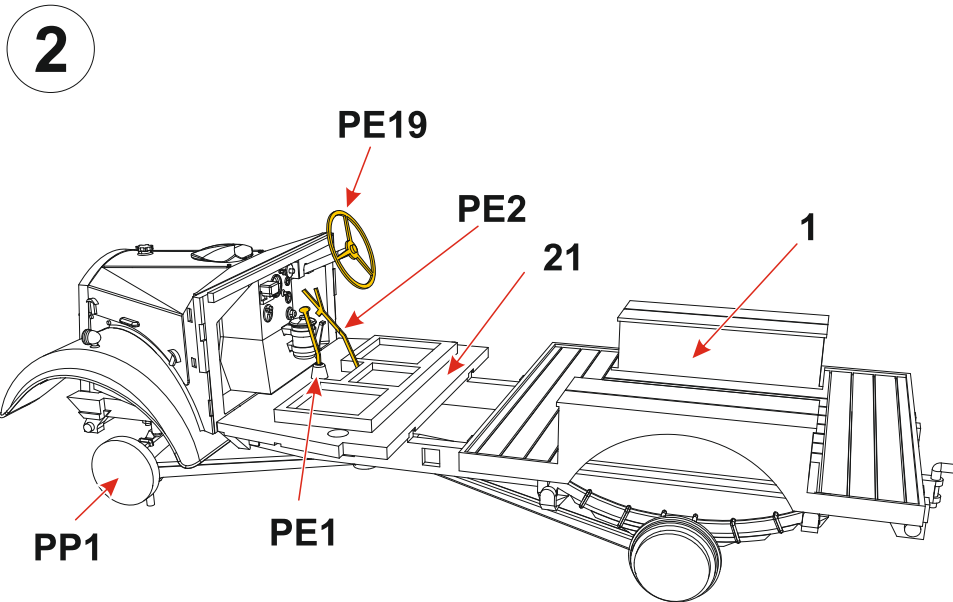
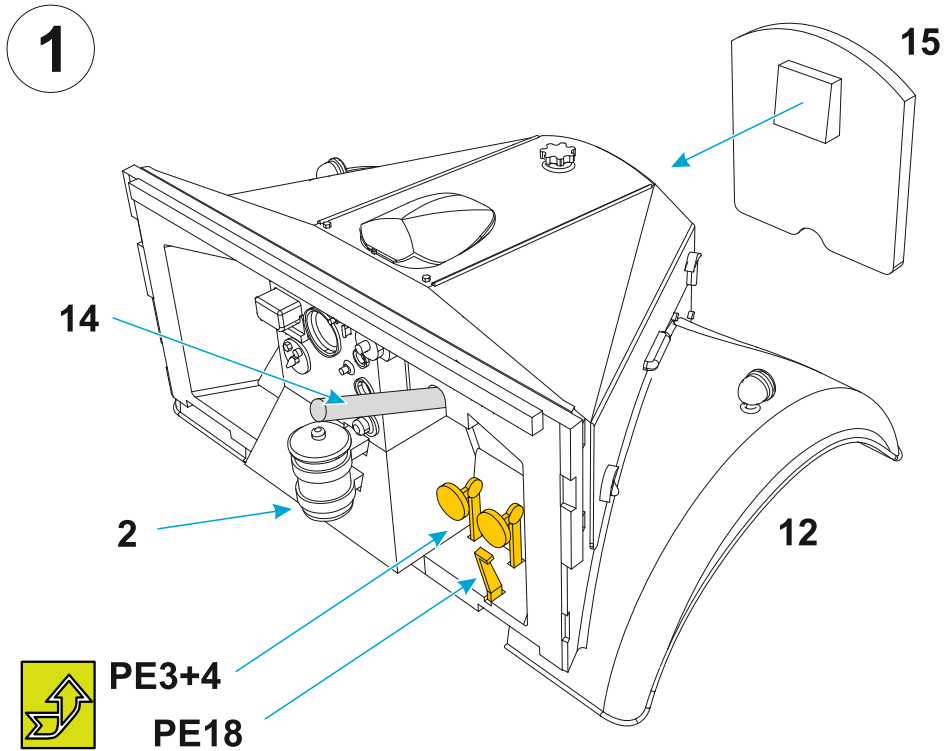
Resinové díly ohnuté popř. pokroucené vlivem teplotních změn a stárnutí materiálu, mohou být narovnány do požadovaného tvaru pomocí proudu teplé vody nebo vzduchu (fén na vlasy). Ohnuté 3D tisky narovnejte ponořením do horké vody, srovnejte je a zchladte studenou vodou. K lepení použijte kyanoakrylátové lepidlo! Kontaktní plochy doporučujeme před lepením odmastit. Různé drátky a tyčinky nejsou přiloženy.

Parts slightly distorted and bent owing to temperature changes or due to material aging can be straightened to requested shape by hot water or hot air jet (hair dryer). This process can be repeated till result is entirely satisfactory. You can also correct bent 3D printed parts: put them into hot water, straighten them and cool them in cold water.

For best result use cyanoacrylate glue! Ungreasing contact areas is recommended before gluing.
Wires and rods not included.

SYMBOLS





Novinky v řadě Military Vehicle / News in the Military Vehicle series:

60 cm Flak Scheinwerfer (Flak Sw-36) mit Sd.Ah.51 'Světlomet 60N s vlekem'
MV130
 1/72
 DETAILNÍ 3D TIŠTĚNÁ STAVEBNICE
 DETAILED 3 PRINTED KIT
 MADE IN THE CZECH REPUBLIC

15 cm TbtSk C/36 'WWII German Atlantic Wall Gun'
MV126
 1/72
 DETAILNÍ RESINOVÝ MODEL S LEPTY
 DETAILED RESIN KIT WITH PE FRET
 MADE IN THE CZECH REPUBLIC

Elektrischer Generator 8kw für Flak Sw-36 mit Sd.Ah.51
MV131
 1/72
 DETAILNÍ 3D TIŠTĚNÁ STAVEBNICE
 DETAILED 3D PRINTED KIT
 MADE IN THE CZECH REPUBLIC

Zetor 25 'Military w/Towbar for MiG 15/17s'
MV128
 1/72
 DETAILNÍ RESINOVÝ MODEL S LEPTY
 DETAILED RESIN KIT WITH PE FRET
 MADE IN THE CZECH REPUBLIC

3D tištěné a odlévané sady pro 1/72 bojovou techniku
 3D printed and casted 1/72 AFV sets

B72107 15 cm Nebelwerfer 41 / 3,7 cm PaK 36 Wheels for Special Hobby kit
 PUR - Polyurethane parts
 © Special Hobby 2022

Special Hobby, Mezdiří 719, Praha 9, 193 00, Czech Republic
 e-mail: office@specialhobby.eu

P72003 1/72 Transport box with Panzerfausts
 3D-Printed Parts
 PP1, PP2, PP3

P72007 1/72 Czech Hedgehog (Rozsocháč) - WWII Anti-tank Barrier (4 pcs)
 3D-Printed Parts
 4x

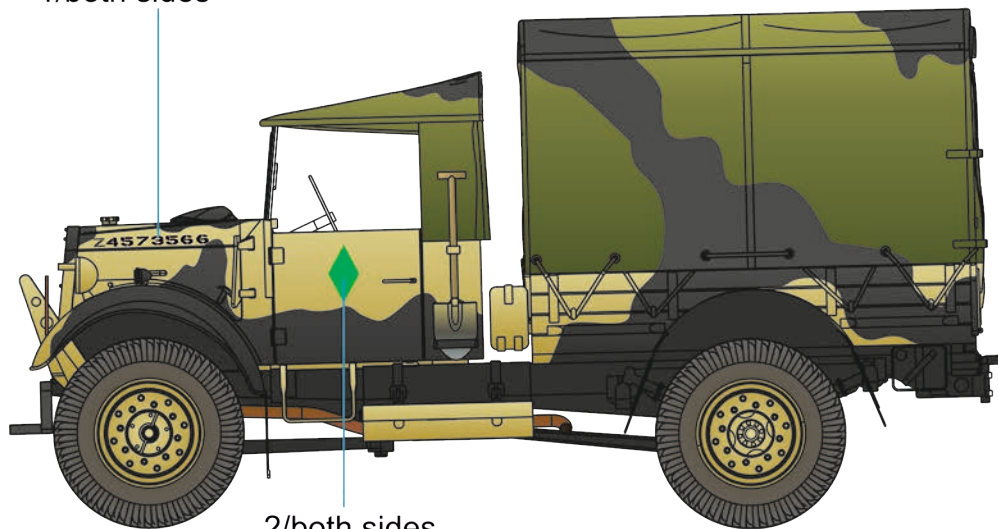
2062 1/72 Concrete Hedgehog WWII Anti-tank Barrier (4 pcs)
 Resin Parts
 drát wire
 4x

P72006 1/72 German WWII Aircraft Maintenance Toolbox
 3D-Printed Parts
 1, 2, 3, 4, 5, 6, 7, 8, 9, 10, 11

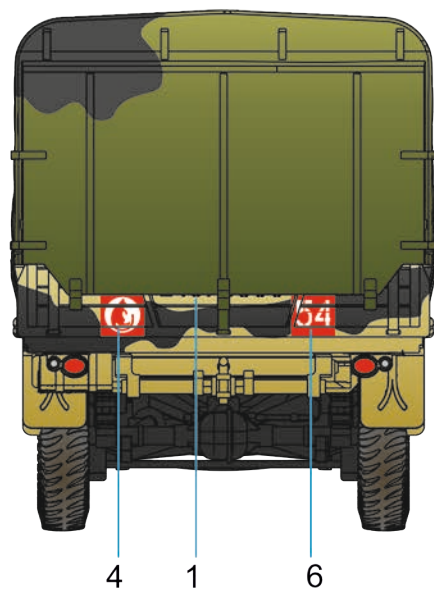
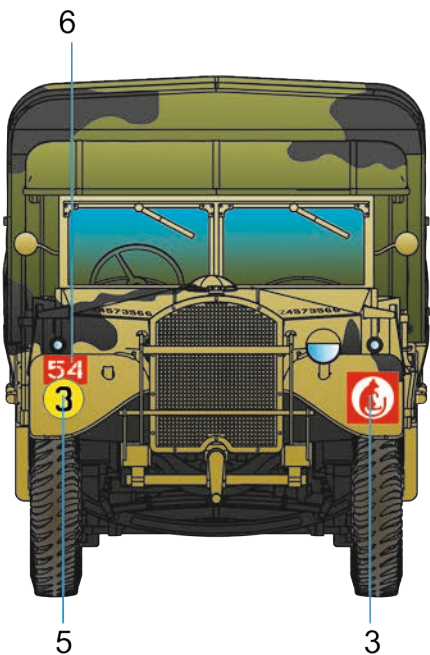
WOT2E Z4573566, 7th Armoured Division (Desert Rats), 2nd Rifle Brigade, Gazala, April 1942.

WOT2E Z4573566, 7. Obrněná divize (Pouštní Krysy), 2. Střelecká Brigáda, Gazala, duben 1942.

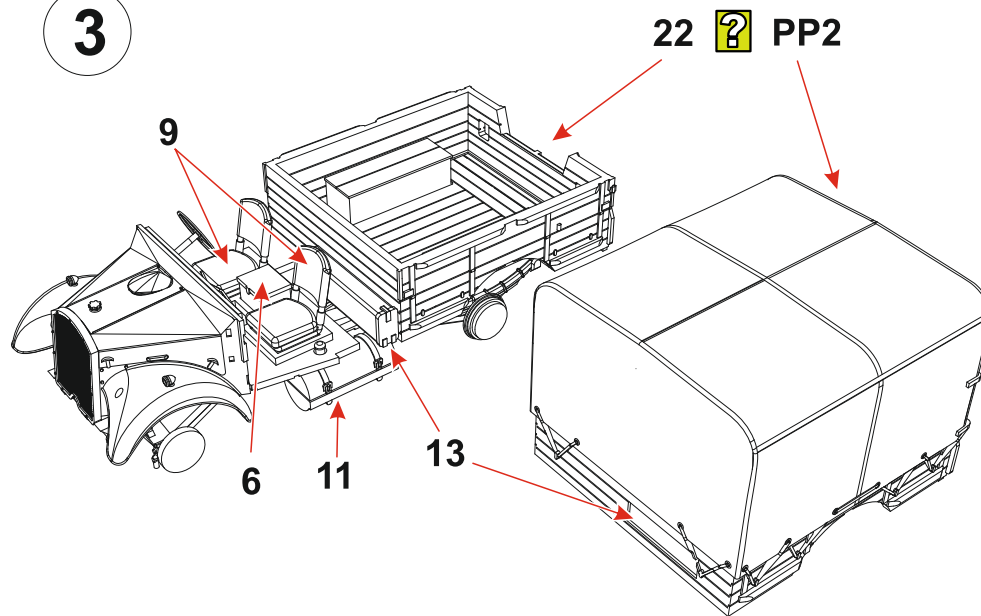
1/both sides



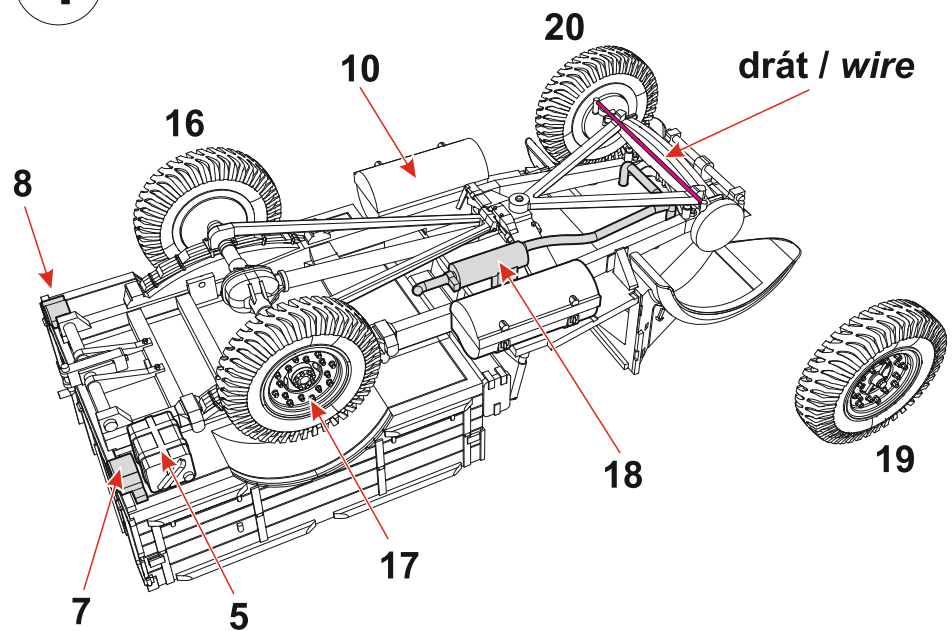
2/both sides



3

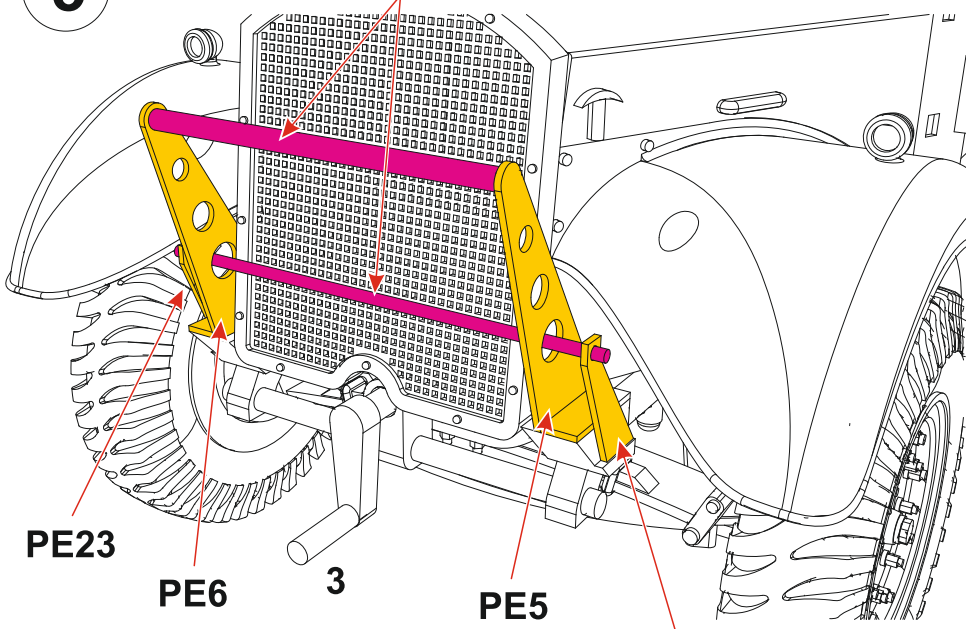


4



5

drát / wire



PE23

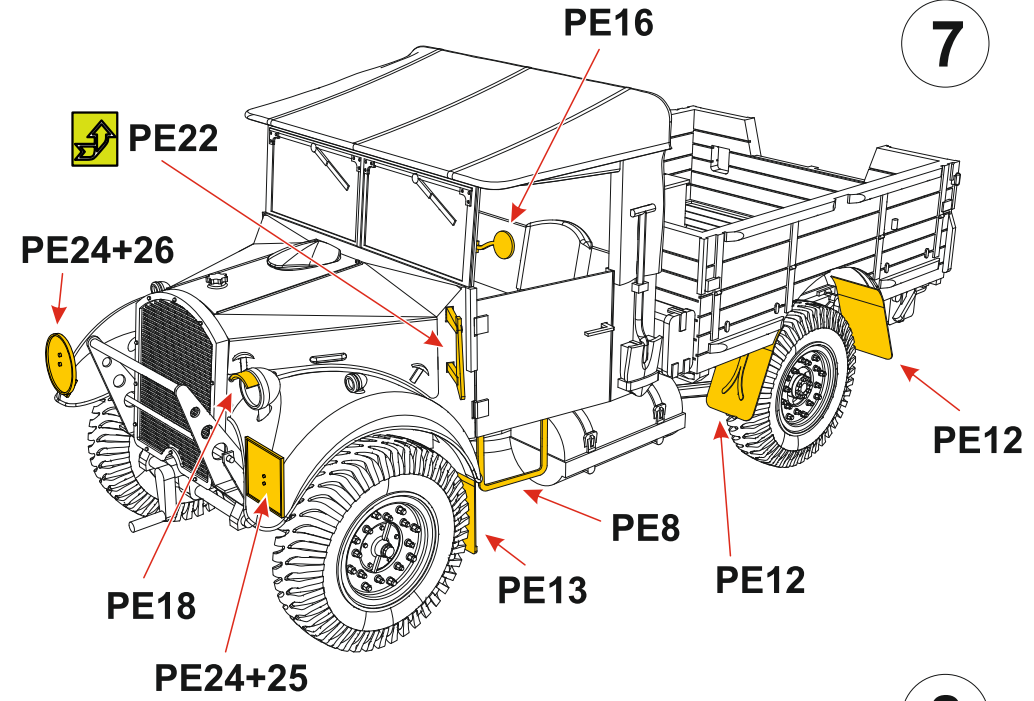
PE6

3

PE5

PE23

7



PE22

PE24+26

PE18

PE24+25

PE13

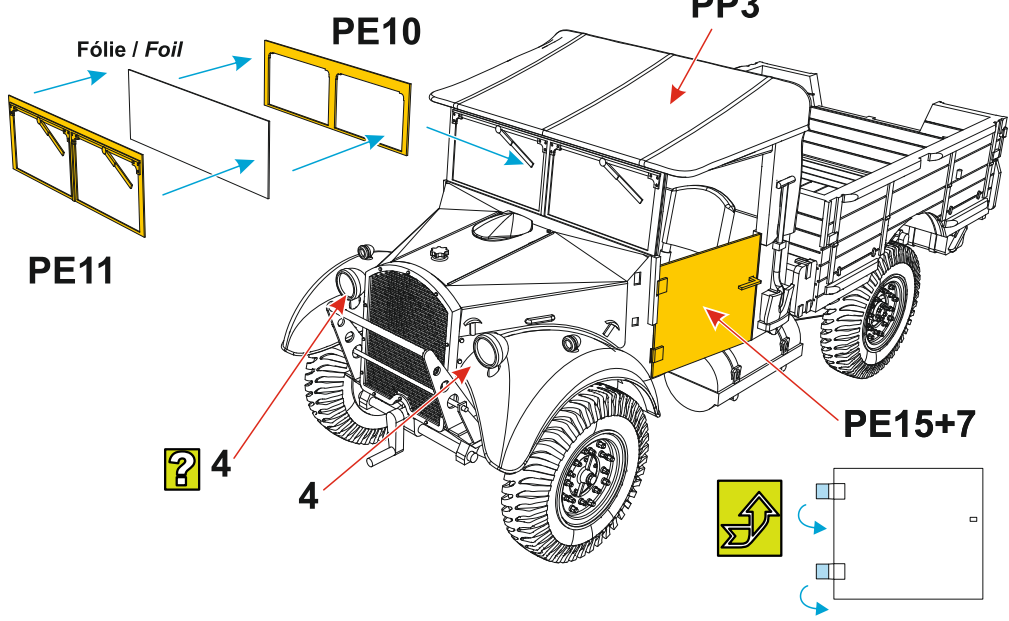
PE8

PE12

PE12

PE16

6



Fólie / Foil

PE10

PP3

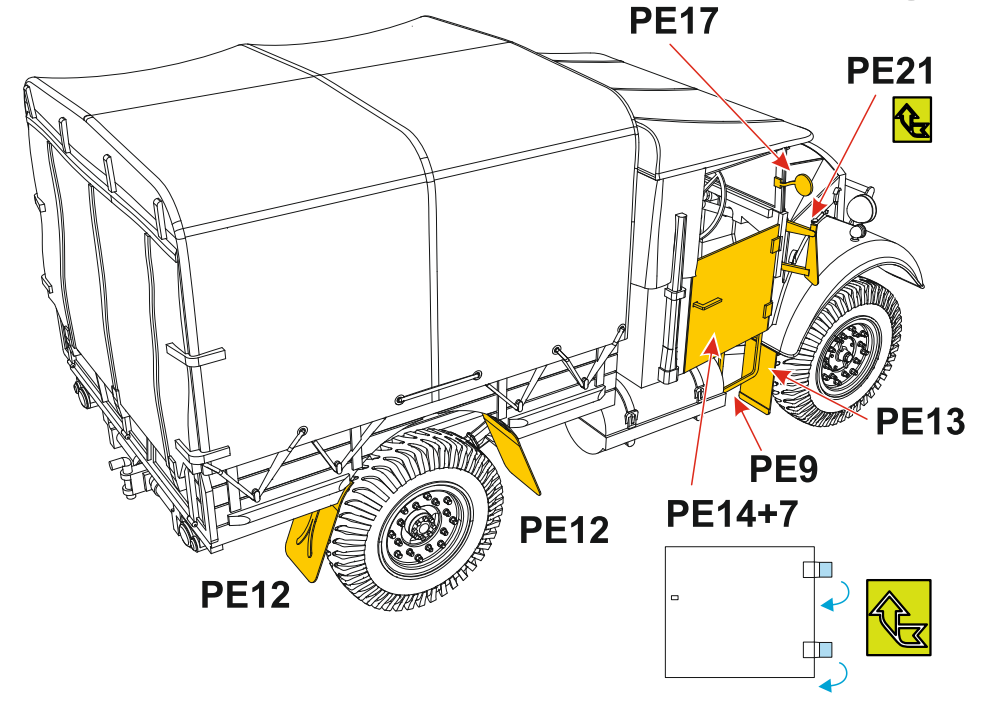
PE11

? 4

4

PE15+7

8



PE17

PE21

PE13

PE9

PE14+7

PE12

PE12