

Ask for other AIRFIX Models in this series

**PLEASE OPEN CAREFULLY—INSTRUCTIONS ENCLOSED**

240 miles. Defensive armament, when carried, consisted of one 7.9 mm. machine gun. Wing span was 46 ft. 9 ins. and length 32 ft. 6 ins.

The Storch was powered by a 240 h.p. Argus As 10C engine giving a maximum speed of 107 m.p.h. and a normal range of 6M + YN in the early Russian campaign.

The individual aircraft featured in this kit are representative of the military Storchs, "Max" in service in North Africa and examples are still in use, mainly for glider-towing.

in Czechoslovakia; both of these plants in fact continued to produce variants of the Storch after the war and even today several to transfer Storch production to works in occupied Europe and Storchs were built by Morane-Saulnier in France and by Mraz So as to leave the Fiesler factory clear for other work (including the development of the V-1 flying bomb), it was decided aircraft and some were even fitted as light bombers.

Development proceeded before the war with the Fi 156 A models with a flush canopy, joined in 1939 by the C series which had a raised cockpit section to accept a machine gun. Different versions were produced as staff transports, observation and rescue aircraft could almost hover and could land in approximately 50 feet.

Long undercarriage to absorb the shock of an almost vertical landing. Low speed characteristics were so good that in a light wind these in 1936 and featured a thick wing with Handley Page slots, a bulged transparency to give exceptional visibility and an extremely aircraft with short field performance for army co-operation, liaison, rescue and observation duties. Fiesler's winning design appeared

Design of the Storch (Stork) dates back to 1935 when the German Air Ministry issued a requirement for a single engine pressed into service with the R.A.F.

Second World War, and by the end of the war had the distinction of serving with both sides, some captured examples having been

The awkward looking Fiesler Storch proved to be the most efficient of all observation and communications aircraft of the

## FIESLER FI 156 STORCH



**AIRFIX-72 SCALE**  
**FIESLER STORCH**

# AIRFIX

## CONSTRUCTION KIT

### 1/72 SCALE MODEL CONSTRUCTION KIT

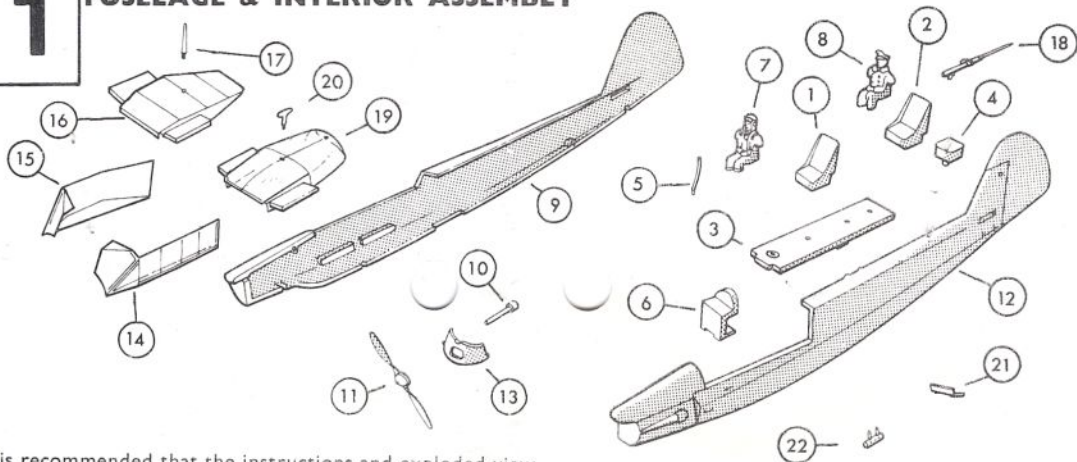
## FIESLER Fi 156 STORCH

### INSTRUCTIONS

**PAINT ALL DETAILS AND LET DRY BEFORE ASSEMBLING (SEE SECTION 4)**  
**N.B. FOR PAINTING USE "AIRFIX" PAINTS, FOR FIXING USE "AIRFIX" POLYSTYRENE CEMENT**

# 1

## FUSELAGE & INTERIOR ASSEMBLY

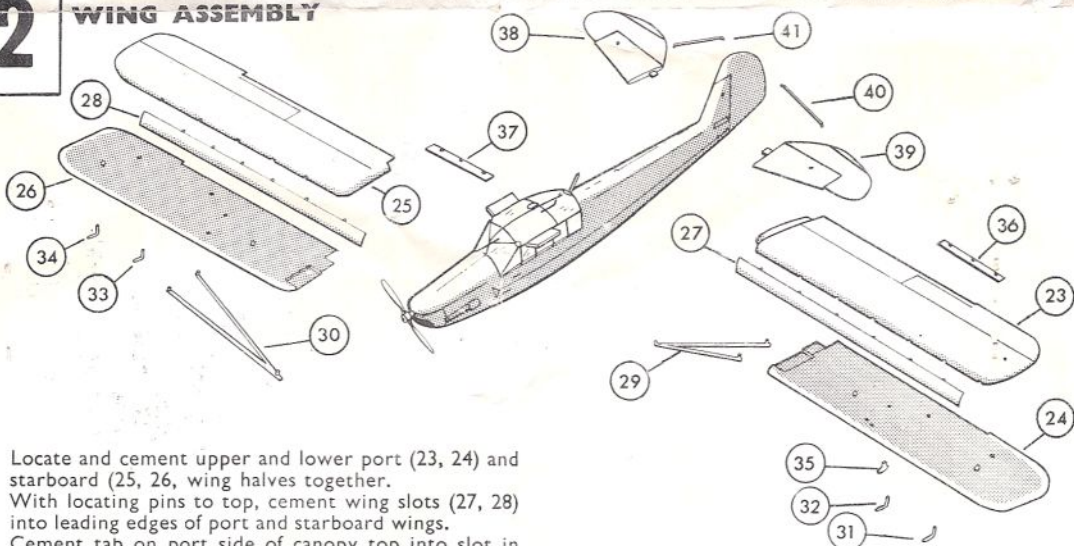


It is recommended that the instructions and exploded view are studied before commencing assembly. Note that some parts are best painted before assembly. It will be noted two variants Fi.156A, Fi.156C can be constructed from this kit, and before commencing assembly, version to be modeled should be chosen, also if stand is to be used cut away the wall of plastic from stand slot in fuselage halves.

1. Locate and cement locating pins beneath pilot and passenger seats (1, 2) into central locating holes in cockpit floor (3).
2. Locate and cement occasional seat (4) into rear locating hole in cockpit floor.
3. Locate and cement control column (5) into forward locating hole in raised boss on cockpit floor.
4. Locate and cement cut out in bottom of control panel (6) over tab at front of cockpit floor.
5. Locate and cement pilot (7) and passenger (8) to seats.
6. Locate and cement cockpit floor assembly onto ribs in starboard fuselage half (9), lug beneath cockpit floor fitting between gap in ribs.
7. Cement propeller shaft (10) into rear of propeller (11).
8. Place propeller shaft in groove in starboard fuselage half, then locate and cement port (12) and starboard fuselage halves together. Cement engine cowling (13) to fuselage nose, cut out in top fitting beneath propeller. Ensure no cement contacts shaft and propeller is free to revolve.
9. Cement port (14) and starboard (15) canopy side transparencies to fuselage opening and together at front, carefully applying cement to edges of canopies only.
10. For Fi.156A version, similarly cement, canopy top transparency (16) to top of canopy sides, then cement antenna (17) into locating hole in canopy top.
11. For Fi.156C version insert gun (18) through hole in rear of canopy top transparency (19) and cement. Position and cement canopy top to canopy sides and finally cement small D.F. loop (20) into locating hole in canopy top.
12. Locate and cement tab on breather tubes (21) into slot beneath fuselage nose.
13. Locate and cement locating pins on oil cooler (22) into locating holes beneath fuselage nose to front and rear of breather tubes.

# 2

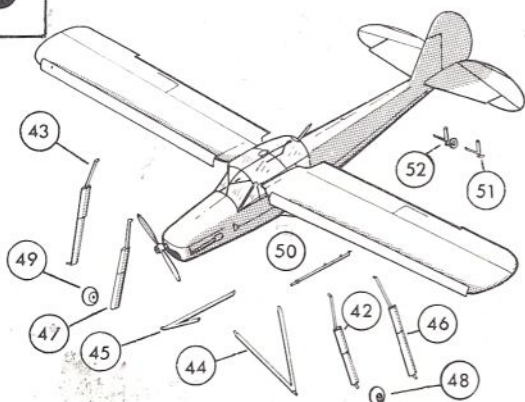
## WING ASSEMBLY



14. Locate and cement upper and lower port (23, 24) and starboard (25, 26, wing halves together.
15. With locating pins to top, cement wing slots (27, 28) into leading edges of port and starboard wings.
16. Cement tab on port side of canopy top into slot in fairing on starboard wing then cement wing struts (29) into locating hole in fuselage side and locating holes beneath wing. NOTE: thicker strut forward.
17. Similarly cement in place starboard wing and starboard wing struts (30). Set aside to dry.
18. When wings are dry, locate and cement mass balances (31-34) into locating holes in ailerons beneath port and starboard wings.
19. Locate and cement landing light (35) into forward locating hole beneath port wing.
20. With locating pins on tail slats forward (36, 37) cement into locating holes beneath port and starboard tailplanes (38, 39), then cement tabs on tailplanes into slot in rear of fuselage. NOTE: tabs interlock within slot.
21. Cement tail struts (40, 41) into locating holes either side of fin and top of tailplanes.

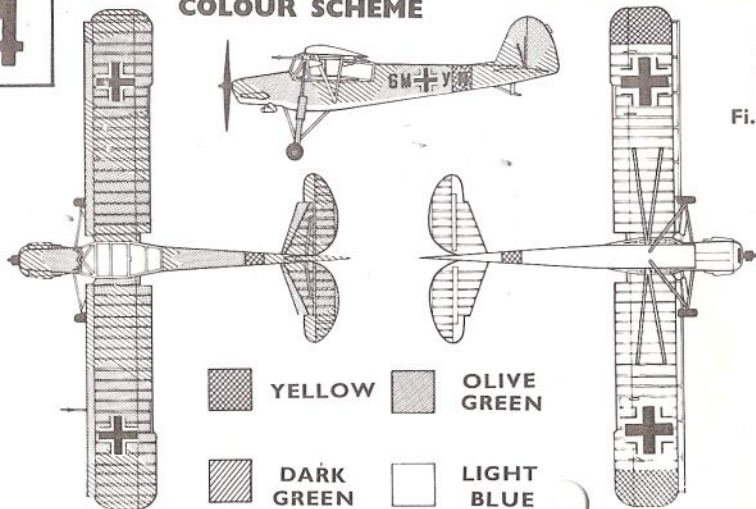
# 3

## UNDERCARRIAGE ASSEMBLY



22. It should be noted that alternative legs are supplied. For model on stand, in flying position, longer extended main undercarriage legs (42, 43) and undercarriage struts (44, 45) should be used. For a model standing on its undercarriage, shorter telescoped main undercarriage legs (46, 47) and undercarriage struts are employed.
23. When selection has been made, cement main wheels (48, 49) onto ends of axles on main undercarriage legs.
24. Locate and cement front angled ends of undercarriage struts together into fuselage recess behind oil cooler, rear of struts into locating hole beneath fuselage forward of wing struts.
25. Locate and cement locating pins on top of main undercarriage legs into locating holes in top and front of canopy, bottom of undercarriage struts are then cemented into inner recesses at bottom of main undercarriage legs.
26. Cement locating pins on pitot tube (50) into locating holes beneath port wing.
27. Locate and cement for Fi.156A version tail skid (51) into locating hole beneath rear of fuselage. For Fi.156C version omit skid and cement in position tail wheel (52).
28. Cement together both parts of stand.
29. Cement arm of stand into slot provided in fuselage.

## COLOUR SCHEME



According to version you wish to model; read notes below, paint and then apply transfers. Separate sheet into required number of subjects, dip each into warm water and slide off backing into position shown on illustration.

**Fi.156A.** The small crosses above, port and starboard wings. The large crosses below port and starboard wings. The yellow band around rear of fuselage. The 6 MYN with black cross to fuselage sides. The Aircraft name to base of stand.

**DARK GREEN M3 & BLACK M6** over. **OLIVE GREEN M3** All upper surfaces and fuselage sides to give camouflage effect.

**LIGHT BLUE M8** Undersurfaces and struts.

**YELLOW G2** Outer wing undersurfaces.

**MATT BLACK M6** Wheel tyres, front of fuselage inside engine cowling, propeller.

**SLATE GREY M2** Interior of aircraft.

**SILVER G8** Landing light lens.

**Fi.156C** The small crosses above port and starboard wings.

The large crosses below port and starboard wings.

The letter V outboard of cross beneath starboard wing and D outboard of cross on port wing.

The white band around rear of fuselage. The name Max to port side of fuselage above exhaust.

The letters CBVD with cross to fuselage sides.

**SAND** All upper surfaces, fuselage sides, undercarriage legs and leg struts.

N.B. TO obtain correct sand colour mix **YELLOW G2, IVORY M4** and **FLESH M7**.

**SLATE GREY M2** Irregular lines over sand to give camouflage effect, interior of aircraft.

**LIGHT BLUE M8** All undersurfaces, wing struts.

**MATT BLACK M6** Wheel tyres, inside engine cowling, propeller.

**SILVER G8** Landing light lens.

