

German Half-Track

Rocket Launcher

1/72

HANOMAG

Sd. Kfz. 251/1



SPECIFICATION

KIT 8022

GENERAL:

DESIGNATION; MITTLERER GEPANZERTER MANNSCHAFTKRAFTWAGEN. DESIGNATION FROM 1942: MITTLERER SCHUTZENPANZERWAGEN. ORDNANCE No. SdKfz 251 MANUFACTURER'S TYPE: HANOMAG HL kl 6p.

CREW: 12—COMMANDER, DRIVE, 10 MEN INFANTRY SQUAD, IN BASIC SdKfz 251/1

BATTLE WEIGHT: 8.9 LONG TONS.

DRY WEIGHT: 7.4 TONS.

DIMENSIONS

LENGTH OVERALL: 19 ft. (AUSF. A, B AND C) 19 ft. 7½ in. AUSF. D.

HEIGHT: 5 ft. 9 in.

WIDTH: 6 ft. 11 in.

WIDTH OVER TRACKS/OVERALL: 6 ft. 11 in.

TRACK CENTRES/WHEEL BASE: 5 ft. in./5 ft. 3 in.

TRACK WIDTH: 9¼ in.

ARMAMENT

TWO MG 34 7.92 mm.

SIX 28/32 cm. ROCKETS IN THEIR CRATES ON A FRAME DESIGNED TO CARRY THREE PROJECTILES ON EACH OF THE VEHICLE.

IN TRANSIT THE ROCKETS WERE STOWED INSIDE THE VEHICLE. NORMALLY THE LOAD CONSISTED OF FIVE 28 cm ROCKETS AND ONE 32 cm. INCENDIARY

ENGINE

MAYBACH "HL 42 TUKRM" OR TUKRRM. PETROL. 6 CYL. IN-LINE. 4,171 c.c. 100 b.h.p. AT 2,800 r.p.m. FUEL: 35 GALLONS IN ONE TANK BETWEEN FRAME.

ARMOR

ESCI

PERFORMANCE

MAX. ROAD SPEED: 33 m.p.h.

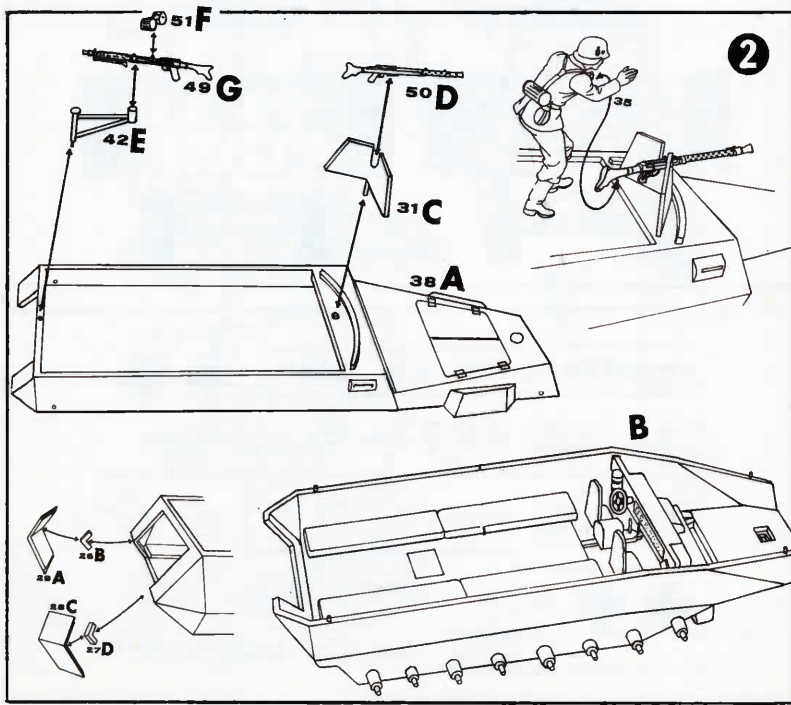
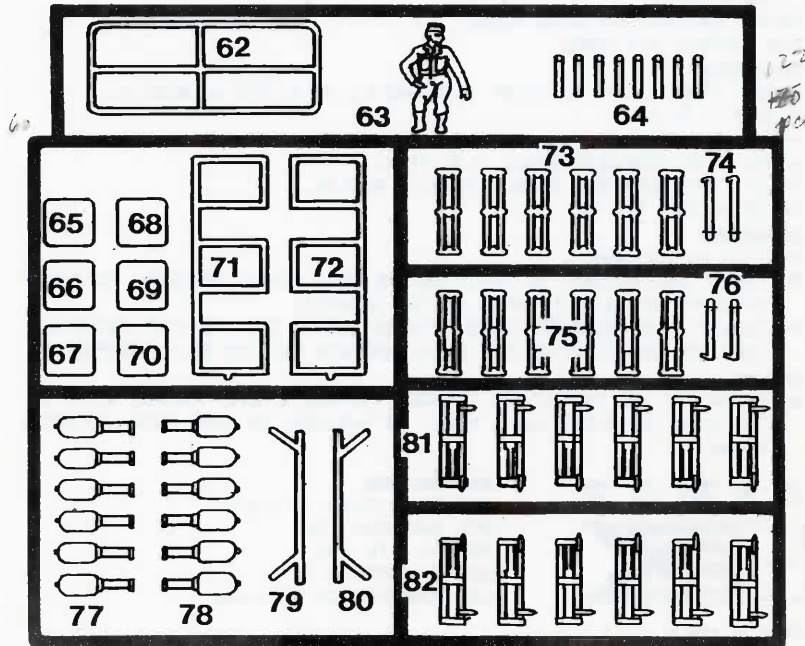
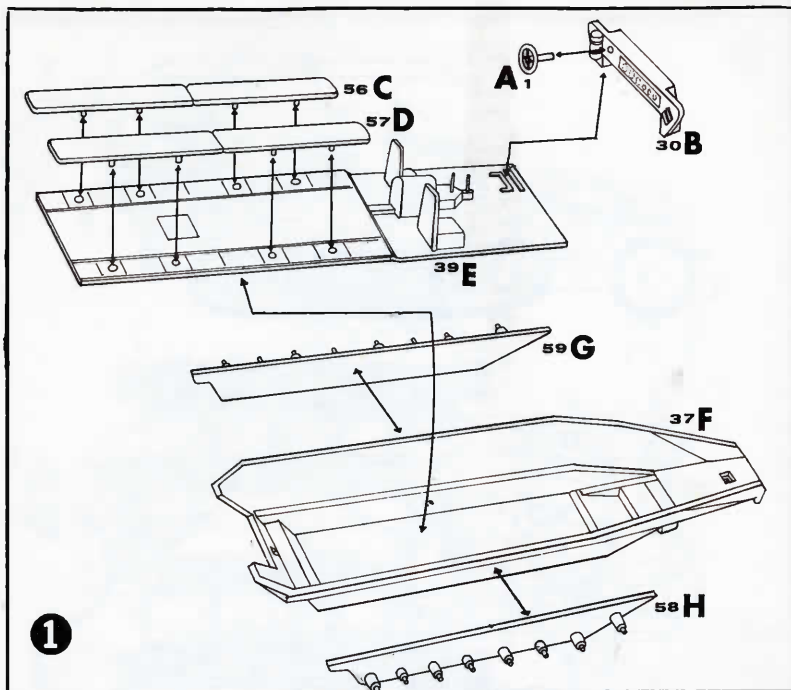
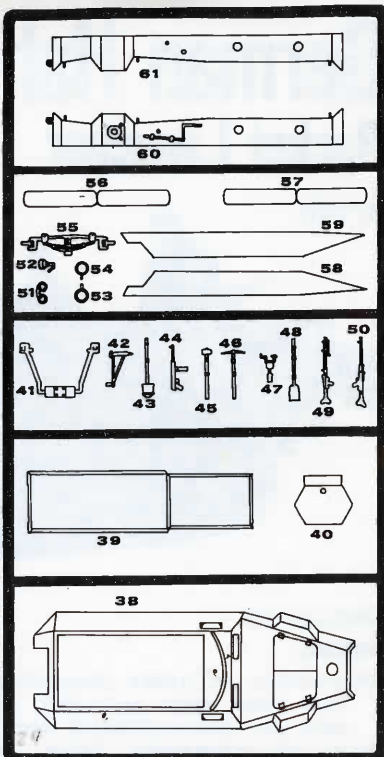
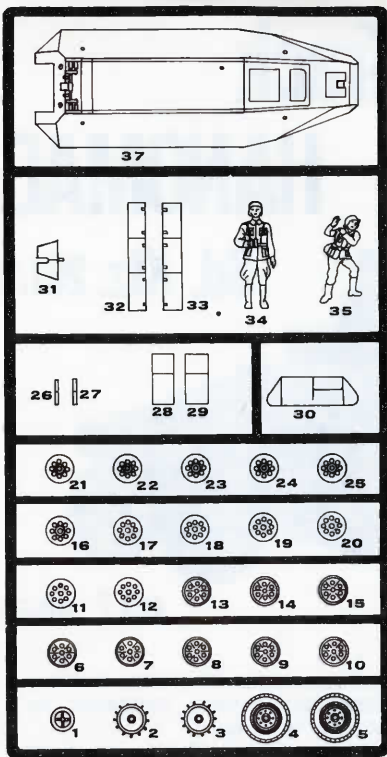
MAX. GRADIENT: 24°

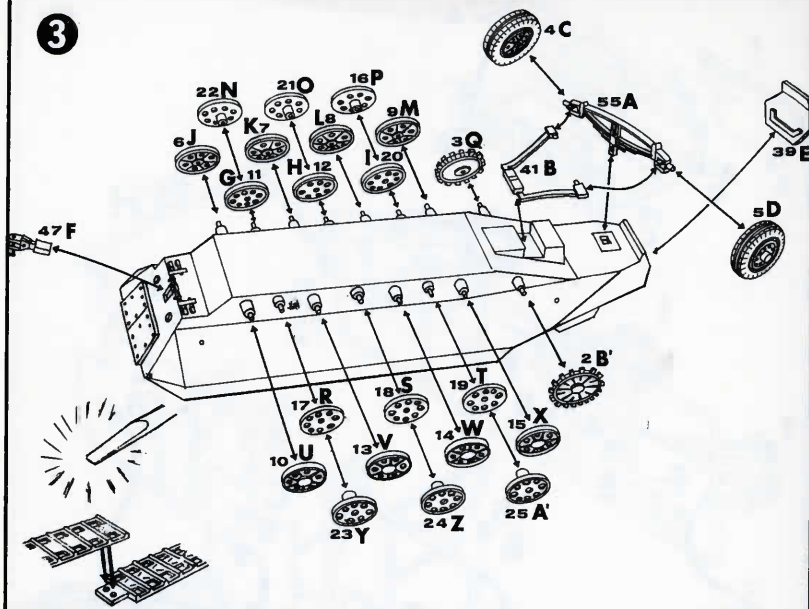
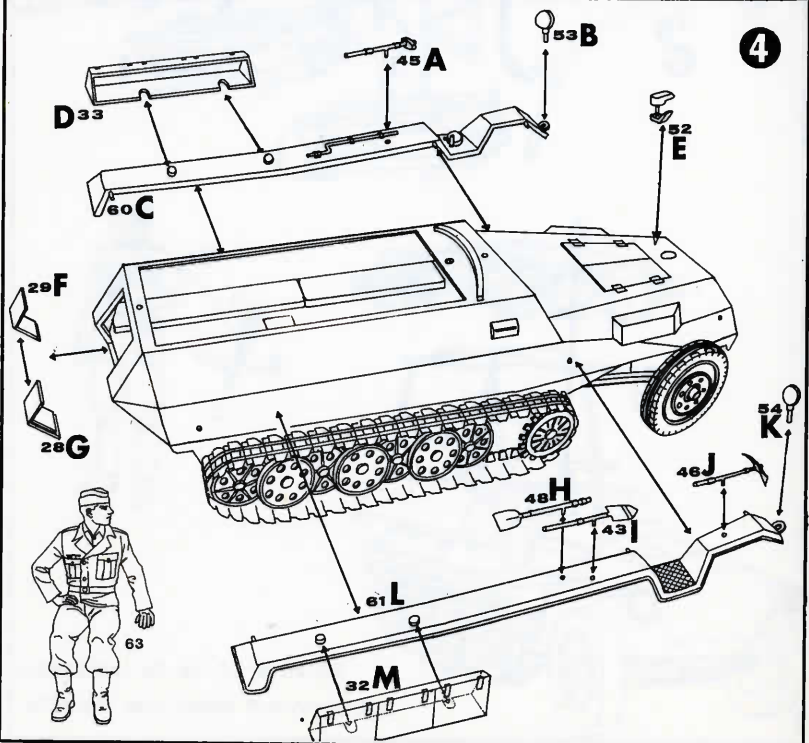
TRENCH: 6 ft. 6 in.

WADING DEPTH: 2 ft.

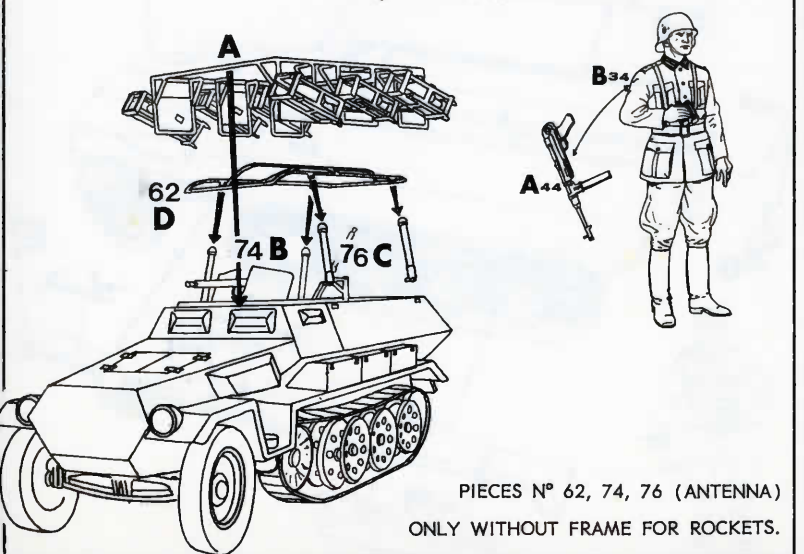
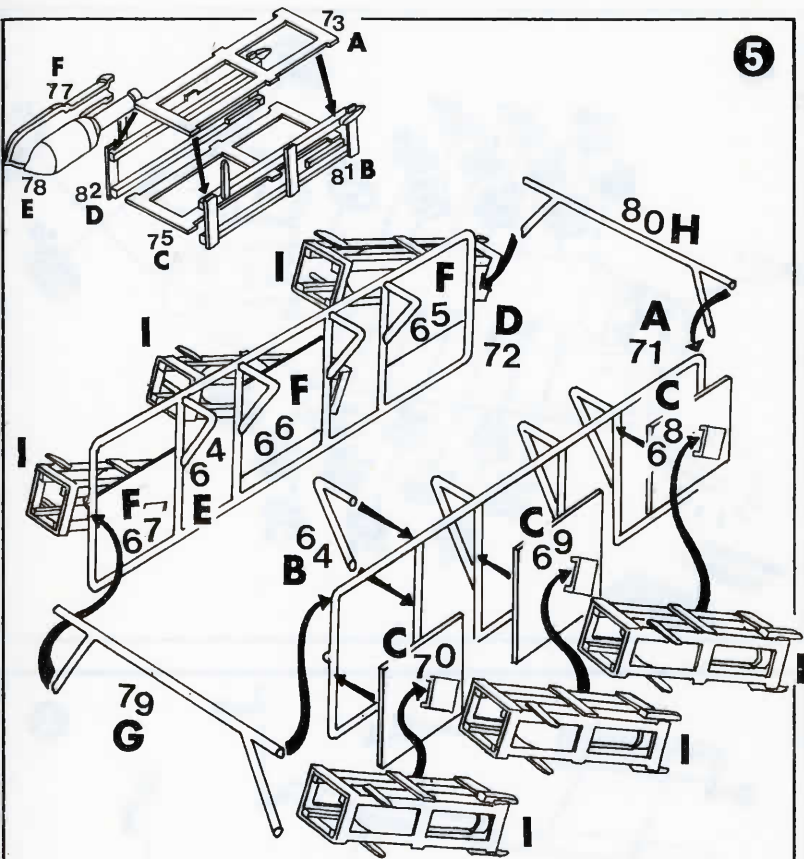
FUEL CONSUMPTION 3-5 m.p.g.

MADE IN ITALY

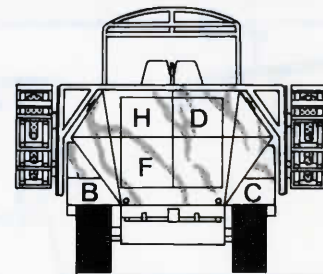
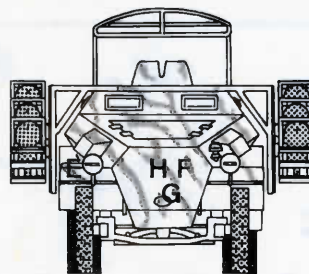
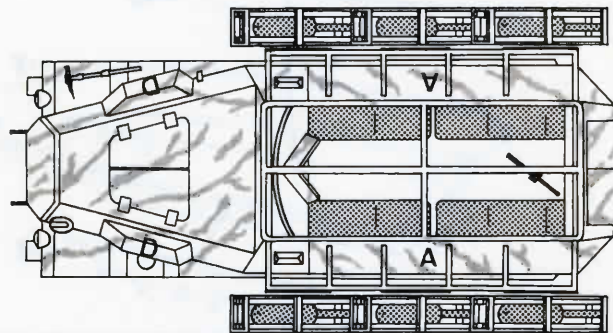
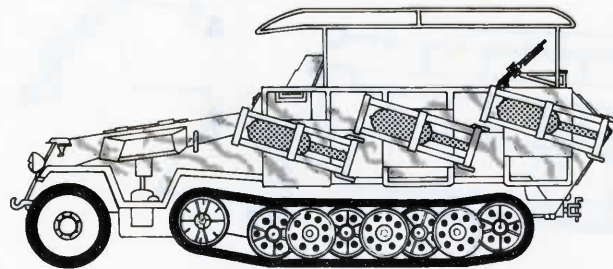


3**4**

5



PIECES N° 62, 74, 76 (ANTENNA)
ONLY WITHOUT FRAME FOR ROCKETS.



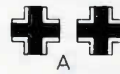
HANOMAG Sd. Kfz. 251/1



B WH-634500 C WH-634500 GGG 21 F F WH-634500
D E F G

B WH-667117 C WH-667117 WH-667117 Y Y F F F F
G H F F

WH-816297 B WH-816297 C WH-816297
G



- MILANO - MADE IN ITALY