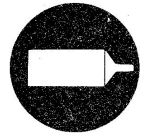


FROG F.179 BLACKBURN SHARK

How to put your Frog model together / Méthode d'assemblage de votre modèle Frog / Wie stellt man Ihr Frogmodell zusammen / Come montare il modello Frog / Hoe zet ik mijn Frogmodel in elkaar / Hur man sätter ihop Frog-modellen / Kootkaa Frog mallinne näin.



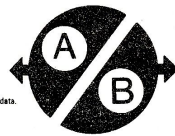
Glue parts together.
Coller les pièces ensemble.
Teile zusammenkleben.
Cementare le parti insieme.
Limma ihop osia.
Cementare le parti l'una con l'altra.
Osat liimataan yhteen.



Do not cement together.
Ne pas coller ensemble.
Nicht zusammenkleben.
Cementare niet samen.
Limma ihop osia.
Non cementare le parti.
Osia ei liimata yhteen.



Shape with a hot knife.
Former au canif chaud.
Mit einem heißen Messer formen.
Vorm met een heet mes.
Forma med varm kniv.
Modellare con la lama di un coltello, riscaldata.
Muovetkaa kuumalla veitsellä.



Choice of parts provided.
Choix de pièces fournies.
Mitgliederweise Auswahl an Teilen.
Keuze van beschikbare onderdelen.
Desse delar medföljäger för valfri användning.
Particolare a scelta.
Osien käyttö valinnavaraista.



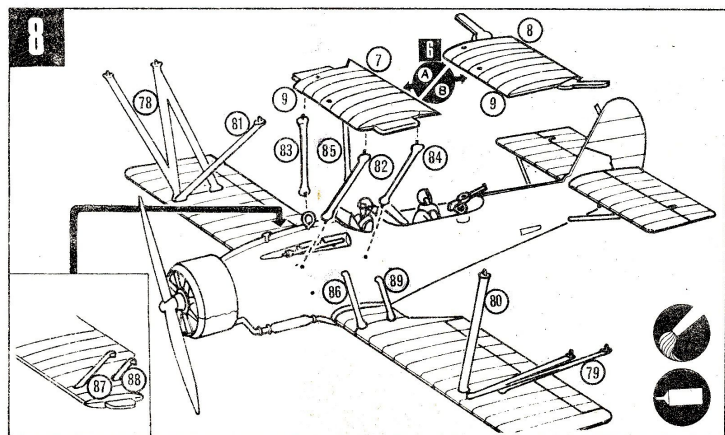
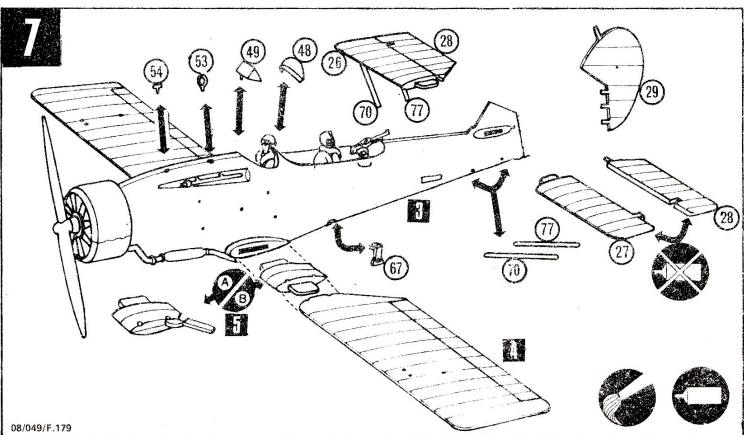
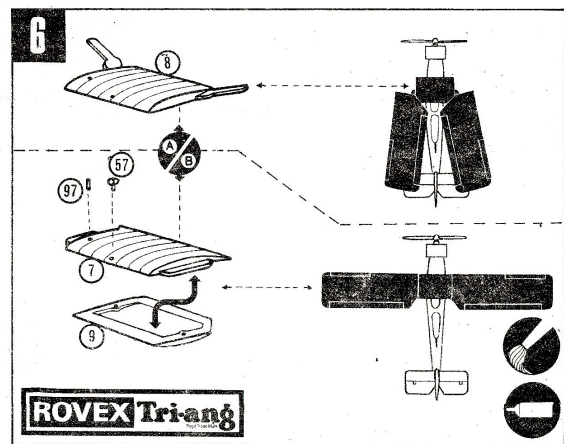
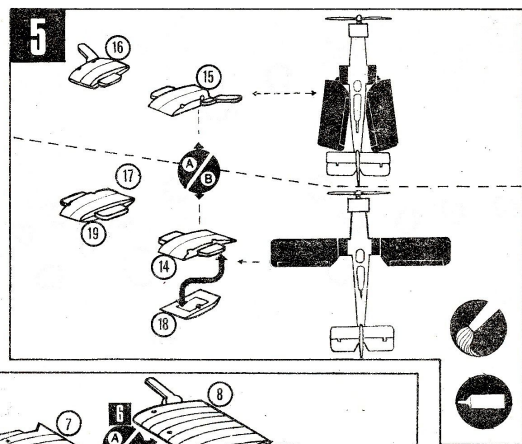
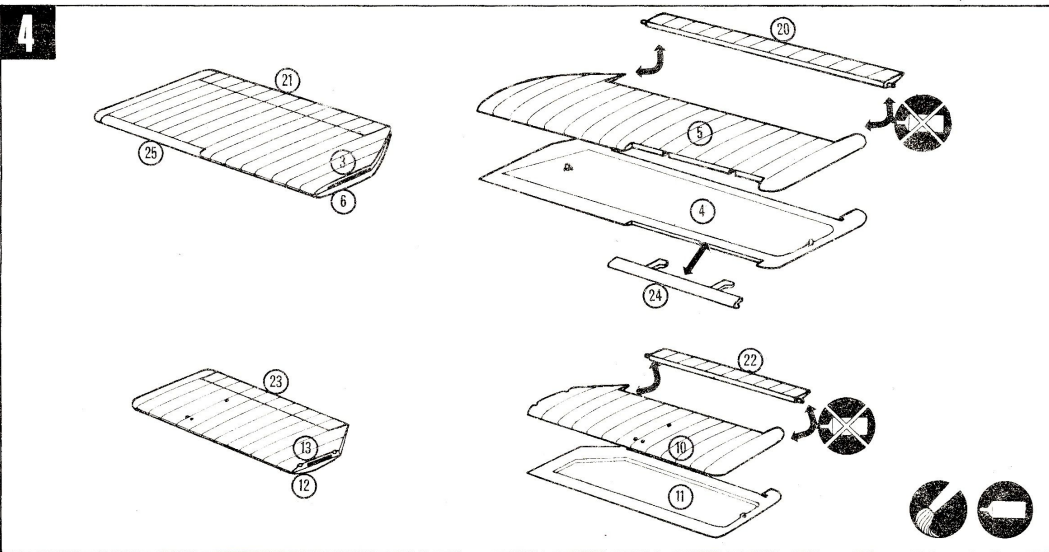
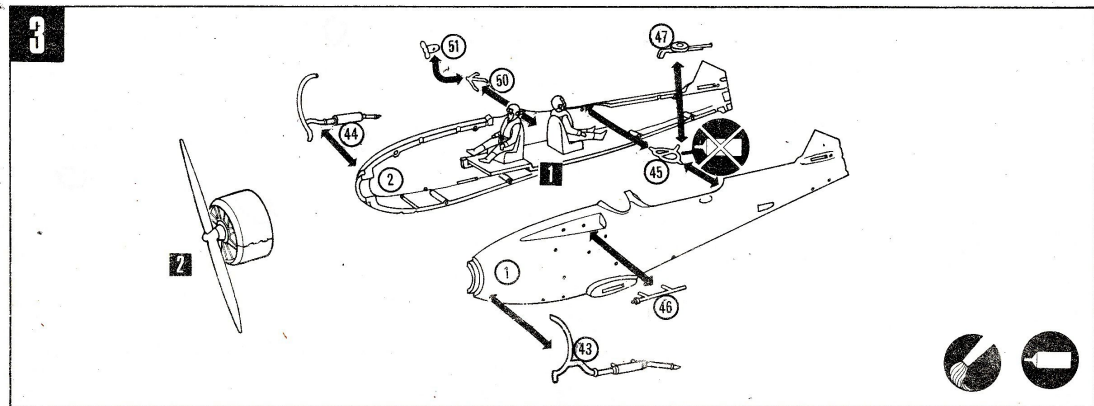
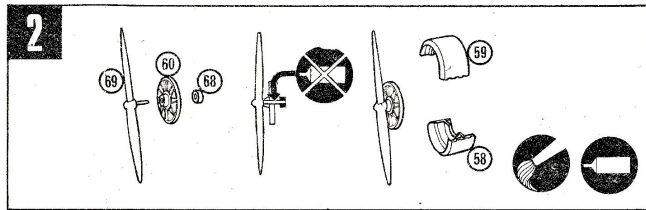
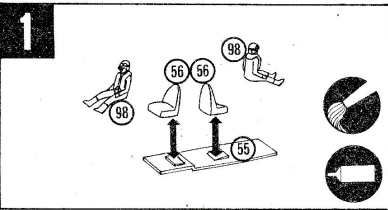
Paint parts before using.
Peindre les pièces avant l'emploi.
Die Teile sollen vor Benutzung bemalt werden.
De onderdelen voor het gebruik schilderen.
Måla delarna före användningen.
Varniciare le parti prima di montarle.
Maalikkaa osat ennen kokonamista.



Cut with a sharp knife.
Couper avec un couteau tranchant.
Mit einem scharfen Messer schneiden.
Snij met een scherp mes.
Skär med en skarp kniv.
Tagliare con un coltello affilato.
Leikkaa terävällä veitsellä.



Insert small weight.
Introduire le petit contrepois.
Ein kleines Gewicht soll eingesteckt werden.
Een klein gewichtje invoegen.
Stick in en liten tyngd.
Introdurre il piccolo peso.
Lisätkää pieni paino.



Every precaution has been taken to ensure that your kit will reach you complete. If however you find any part is faulty or missing please fill in the details opposite in block letters and return the slip to:

Rovex Triang Limited,
Service Department,
Westwood, Margate,
Kent, England.

Please give the Number of the Part shown in the exploded assembly diagram in this instruction leaflet.

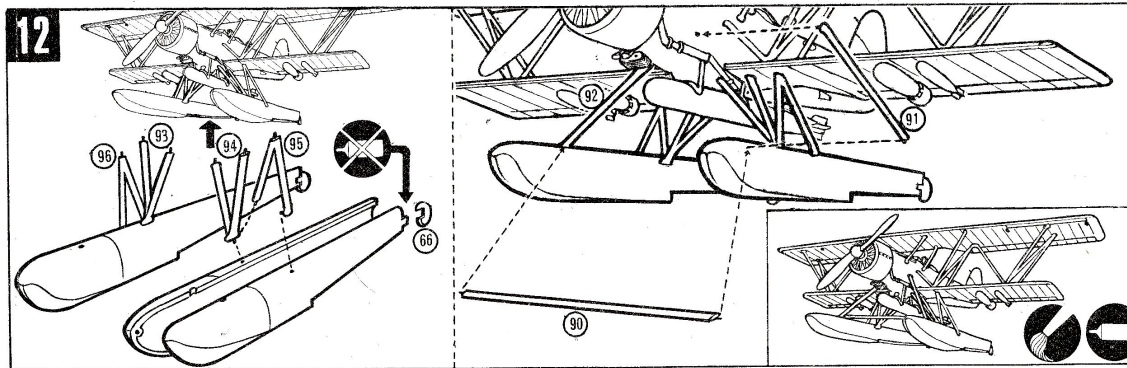
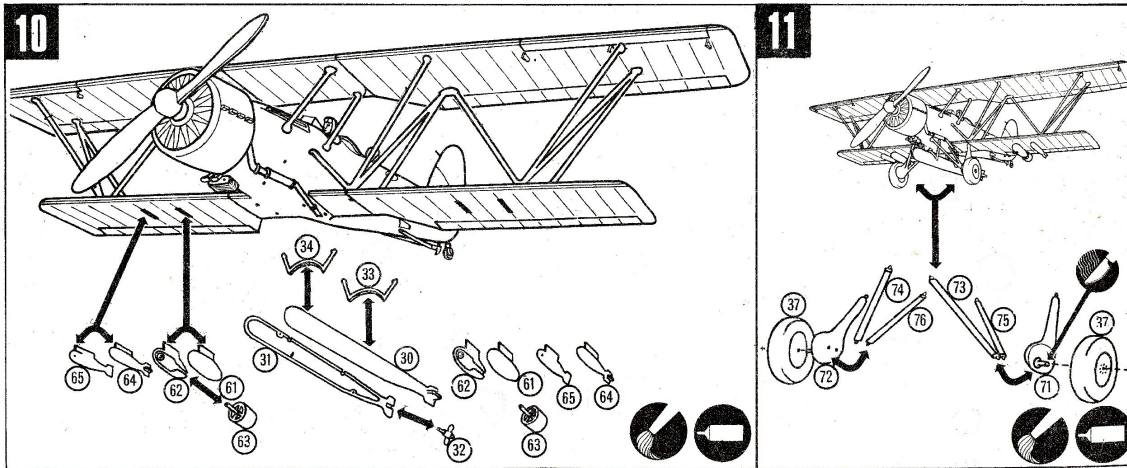
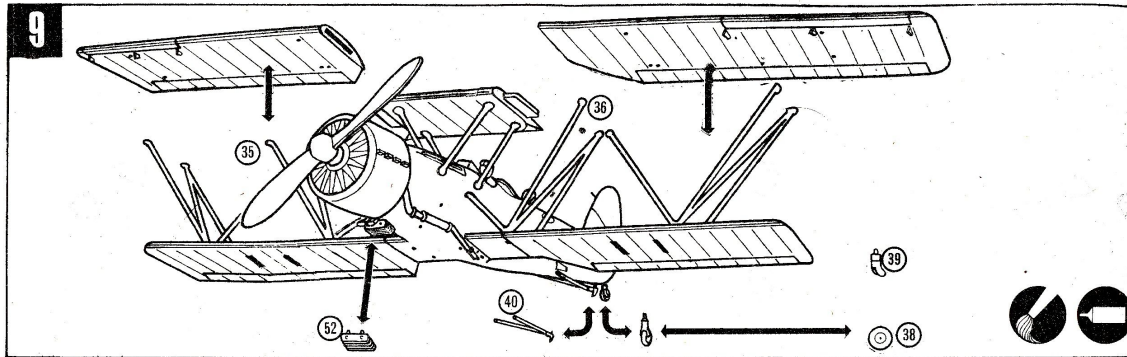
Name and Number of Kit.....

No. of Part.....

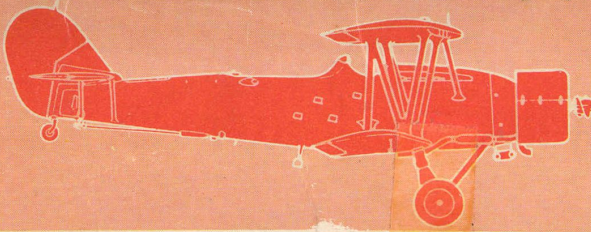
PLEASE USE BLOCK LETTERS

Name

Address



F.179



BLACKBURN SHARK

FROC

1/72nd SCALE MODEL CONSTRUCTION KIT

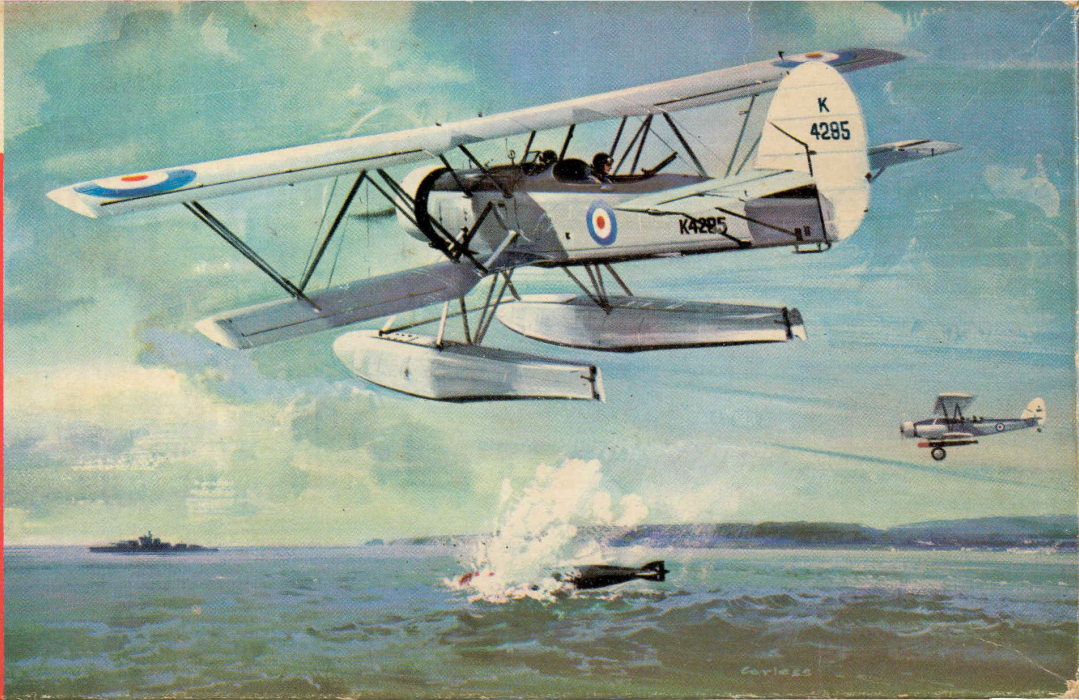
ROVEX INDUSTRIES LTD., GREAT BRITAIN

RED SERIES **FROC**

BLACKBURN SHARK
TORPEDO-BOMBER

Build it with floats or wheels!
Choice of 3 colour schemes!

Authentic MATT transfers!

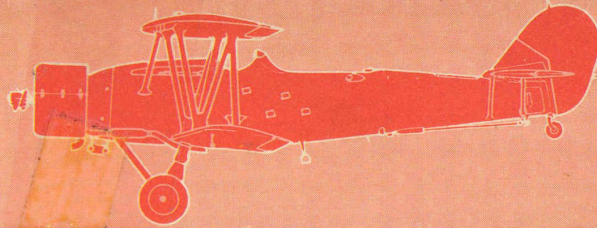


FROC

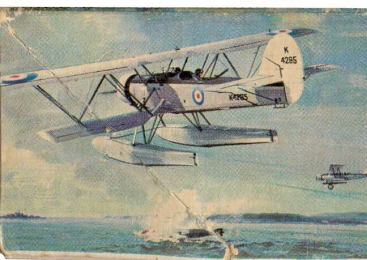
1/72nd SCALE MODEL CONSTRUCTION KIT

ROVEX INDUSTRIES LTD., GREAT BRITAIN

BLACKBURN SHARK



F.179



FROC
BLACKBURN SHARK

F.179

PRICE

FROC

AIRCRAFT PAINTING GUIDE

The Blackburn Shark was introduced into service with the British Fleet in 1935. No. 810, 820 and 821 Squadrons were equipped with Sharks, 820 Squadron serving aboard H.M.S. Courageous. Six floatplane Sharks were sold to Portugal in 1936. Replaced as a first-line aircraft by the Swordfish in 1938, the Shark continued flying as a Fleet Air Arm trainer and communications aircraft. Pre-war aircraft had wings, tail-fin and rudder painted silver. The engine cowling, fuselage, struts and undercarriage had light grey anodised metal finish. Floats when fitted were silver, struts grey. The fuselage decking was matt black. Fleet markings varied by unit.

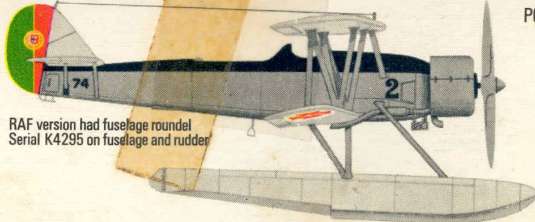
KIT FEATURES

Wings may be fitted in open or folded position. Movable propeller, wheels, ailerons and wing slots. Wheels and floats included in kit. Pilot and observer.

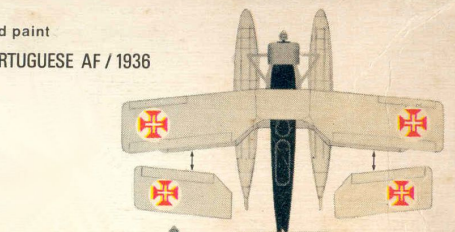
BLACKBURN SHARK

Requires cement and paint.

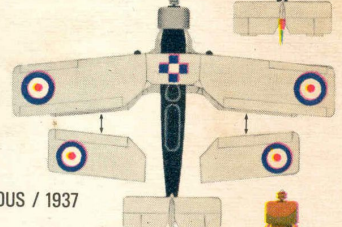
PORTUGUESE AF / 1936



RAF version had fuselage roundel Serial K4295 on fuselage and rudder

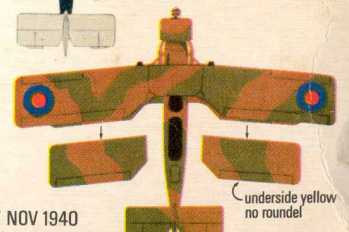


No 820 SQUADRON HMS COURAGEOUS / 1937



no arrester hook or gun

SHARK TRAINER / NOV 1940



underside yellow no roundel

ROVEX Tri-ang

Made in Great Britain by Rovex Tri-ang Limited.