

German E-75 (75-100 tons)/Standardpanzer

E75计划坦克

READ BEFORE ASSEMBLY:

- Study and understand these instructions thoroughly before beginning assembly
- When needed, remove photo-etch parts carefully using a modeling knife or photo etch sprue cutter, being careful not to damage or lose small parts.
- Take extra care in handling photo etch parts in order to avoid injury
- Apply instant cement sparingly to photo etch parts where instructed
- Tools recommended(not included in kit):Plastic and instant cements, sprue cutters,long nose pliers,modeling knife, small files, tweezers, pin vise & scissors. Soft cloth and sandpaper will also assist in construction
- Glue and paint are not included in the kit. Use plastic cement and hobby paints only. Color guide for purchasing paint is included in the kit.

装配之前仔细阅读

- 小心用模型锉刀锉平所有零件表面的注射浇口。
- 小心用刀片切下蚀刻片零件，不要遗失小零件。
- 用强力快干胶水粘合蚀刻片零件和金属轴。过量快干胶水使用可能导致可动零件会粘住，小心涂胶。
- 取蚀刻片时应特别注意安全，防止利边划伤手指。
- 某些零件表面需贴水贴纸，请选择在装配的同时进行。
- 推荐模型工具(自备)：胶水，水口剪刀，长咀钳，刀片，锉刀，镊子，钳，钻，剪刀，瞬间快干胶。
- 软布同砂纸同时也应该是必备工具。
- 请使用塑料胶水和油漆，模型内不含。



配重
Weight



使用强力胶
Cyanoacrylate glue



钻孔
Make hole



切除
Cut / Remove



贴纸
Decal



锉平
File / Sand



选择
Option



不涂胶水
No cement



弯曲
Bend

水贴纸的使用:

- 1.从水贴纸上剪下印花;
- 2.将印花放入温水中浸10秒, 然后放在干净布上。
- 3.拿着印花纸板将印花移到模型上;
- 4.手指蘸水将印花移到适当的位置;
- 5.用软布轻压印花直至水干, 气泡消失

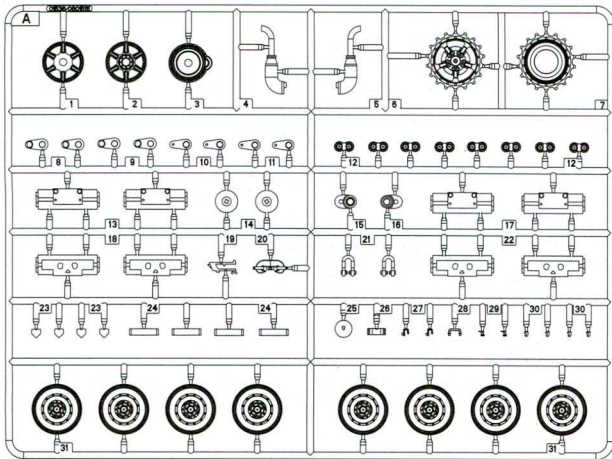
DECAL APPLICATION

- 1.Cut decals from sheet as needed
- 2.Dip the decal in warm water for about 10 seconds and then place on soft clean cloth.
- 3.Hold the decal backing sheet edge and gently slide the decal onto the model in its proper position.

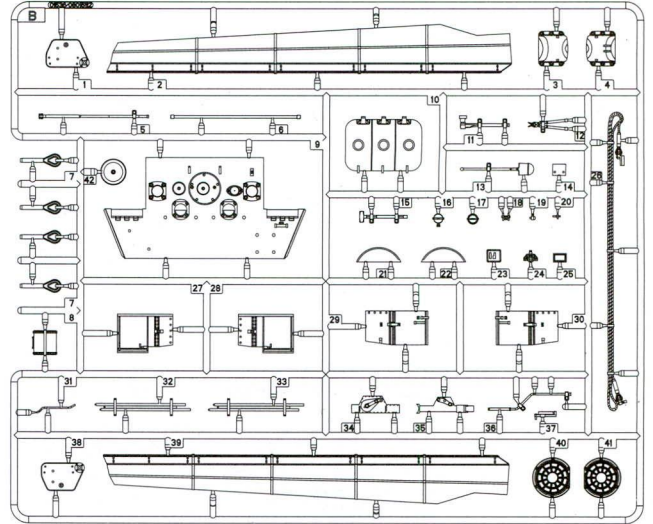
- 4.While still wet,decal can be adjusted for better fit on model by dampening it gently with your finger.
- 5.When placed in the proper position,gently press decal down with a soft cloth until excess water and air bubbles are gone.
- 6.Allow decal to dry completely before handling model

部品图 Parts

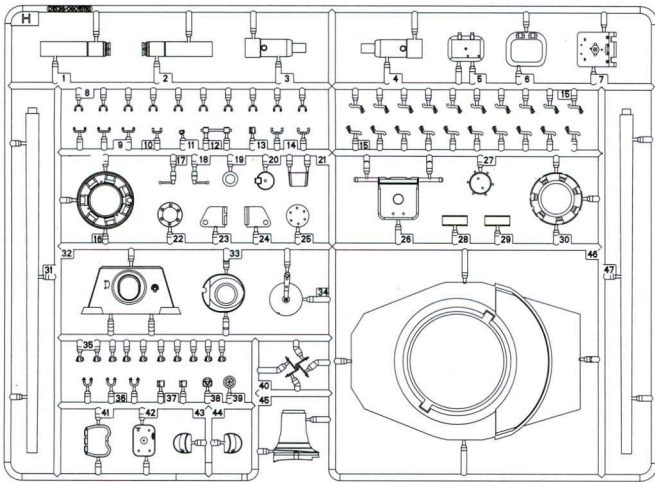
AX2



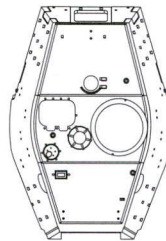
B



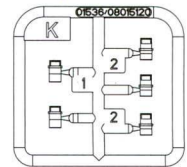
H



<<炮塔>>
Turret



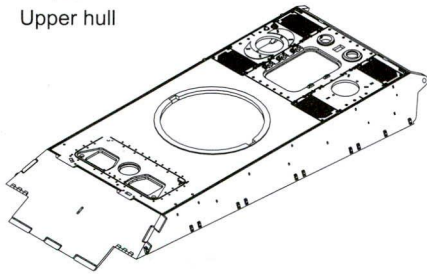
K



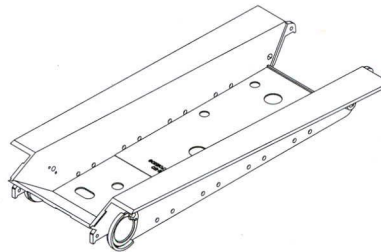
<<铜缆>> $\varnothing 0.8 \times 450\text{mm}$
Brass wire



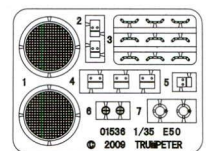
<<车面>>
Upper hull



<<车底>>
Lower hull



<<蚀切片>>
PE



<<履带>>
Track

R



<<履带>>
Track

L

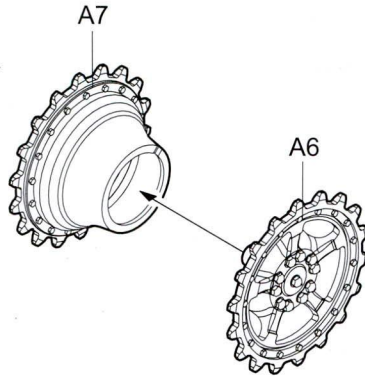


不用部品: K1、PE4
Unused part

1 车轮组装 Wheels assembly

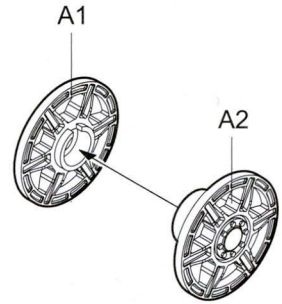
《主动轮》
Sprocket wheel

制作2组
Make two



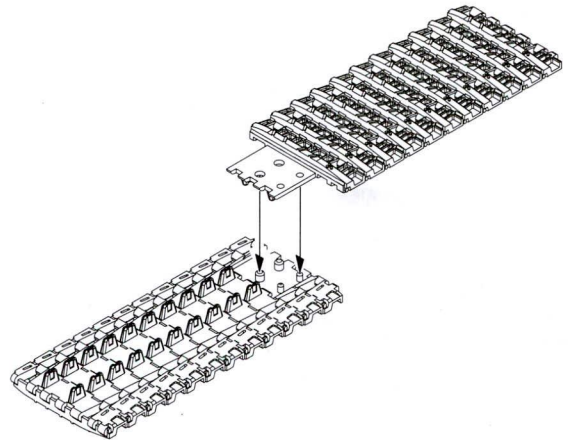
《诱导轮》
Idler wheel

制作2组
Make two



2 履带连接 Track construction

- *履带可用塑料胶水粘合。
- *履带可用模型油漆喷涂。
- *若履带断裂, 用细丝线固定。
- *The tracks in this kit can be glued using plastic cement.
- *The tracks can be painted using plastic paints.
- *If track is broken strengthen with staples or thread.



3 悬臂组装 Cantalever assembly

A12

A17

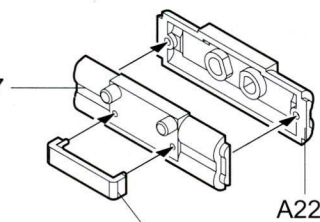
<<R>>

A10

A8

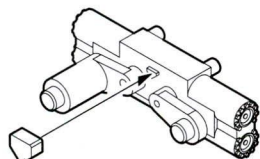
A8

制作4组
Make four



A24

A22



A12

A23

<<L>>

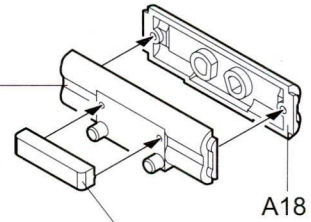
A13

A12

A9

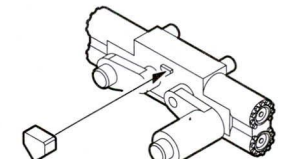
A11

制作4组
Make four



A24

A18

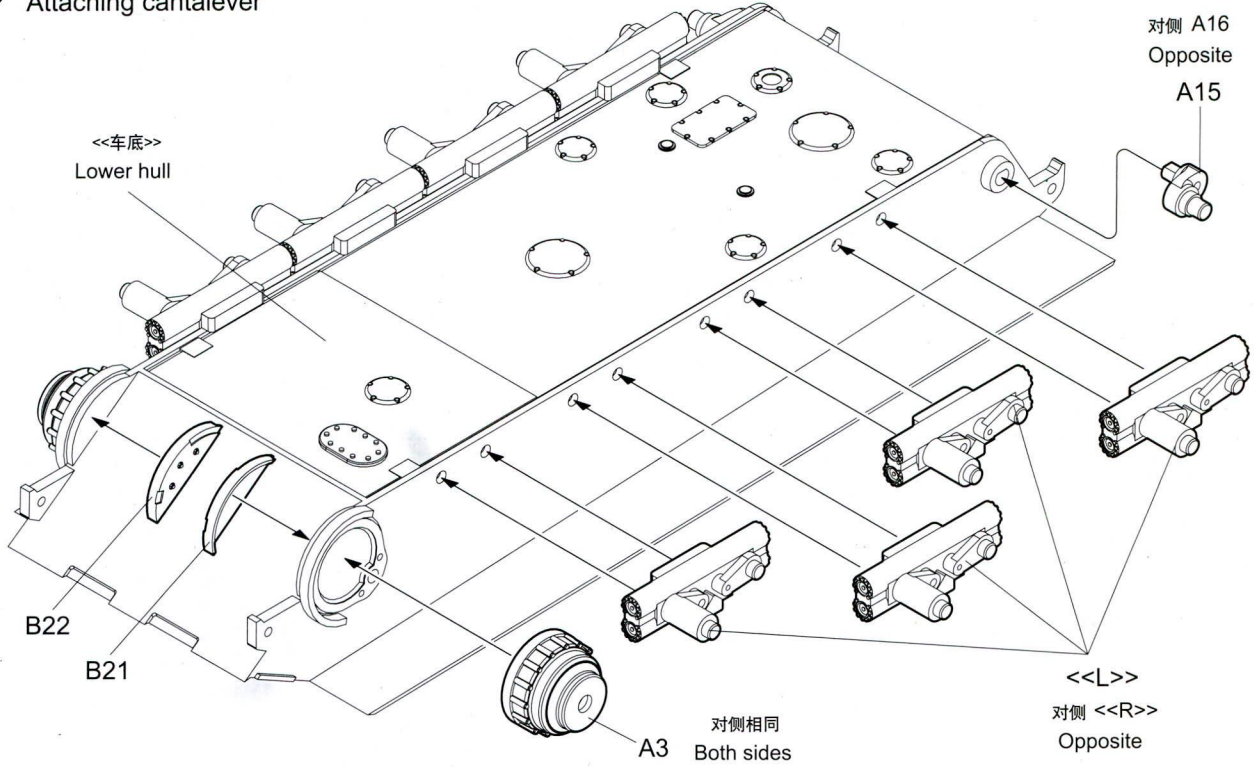


A12

A23

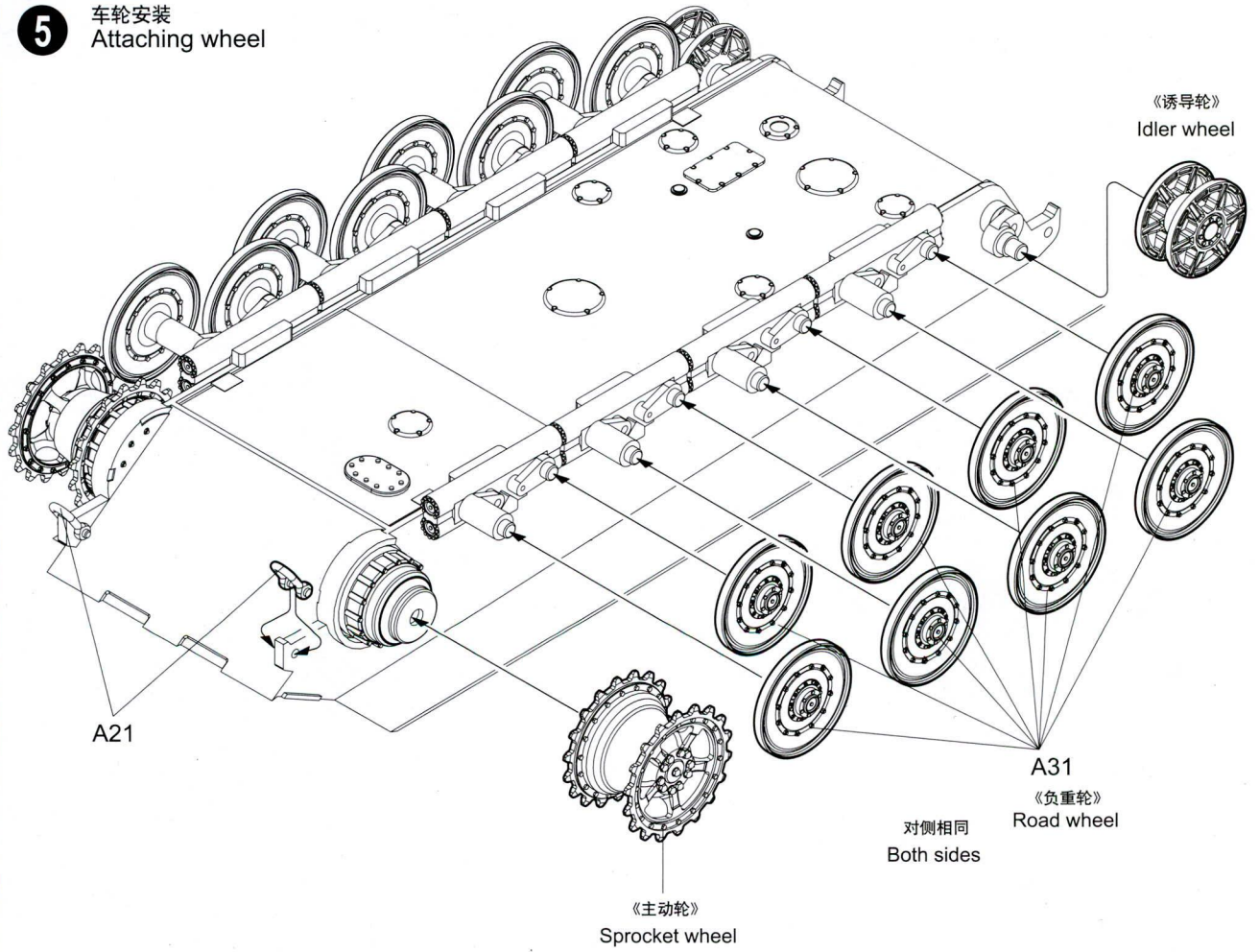
4

悬臂安装
Attaching cantilever

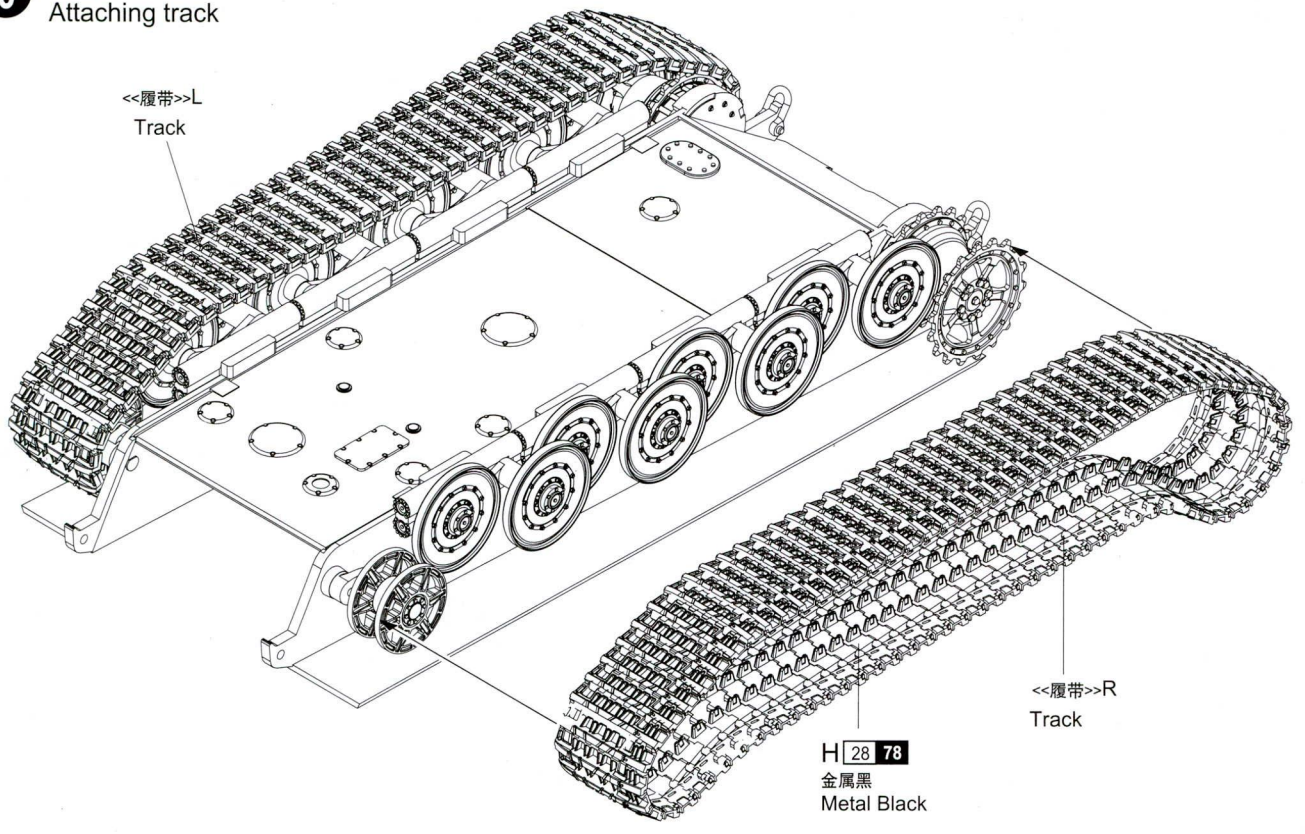


5

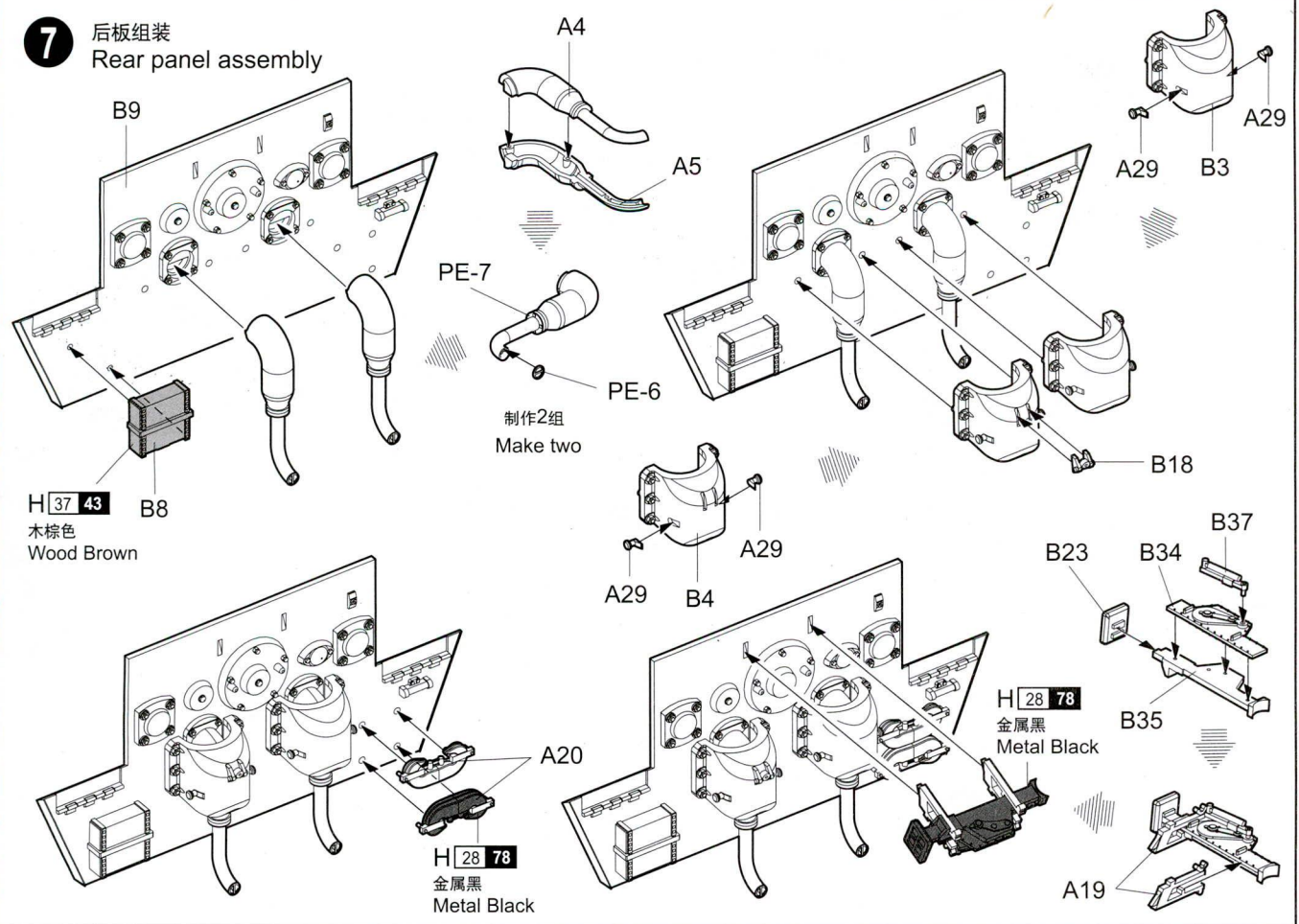
车轮安装
Attaching wheel



6 履带安装
Attaching track

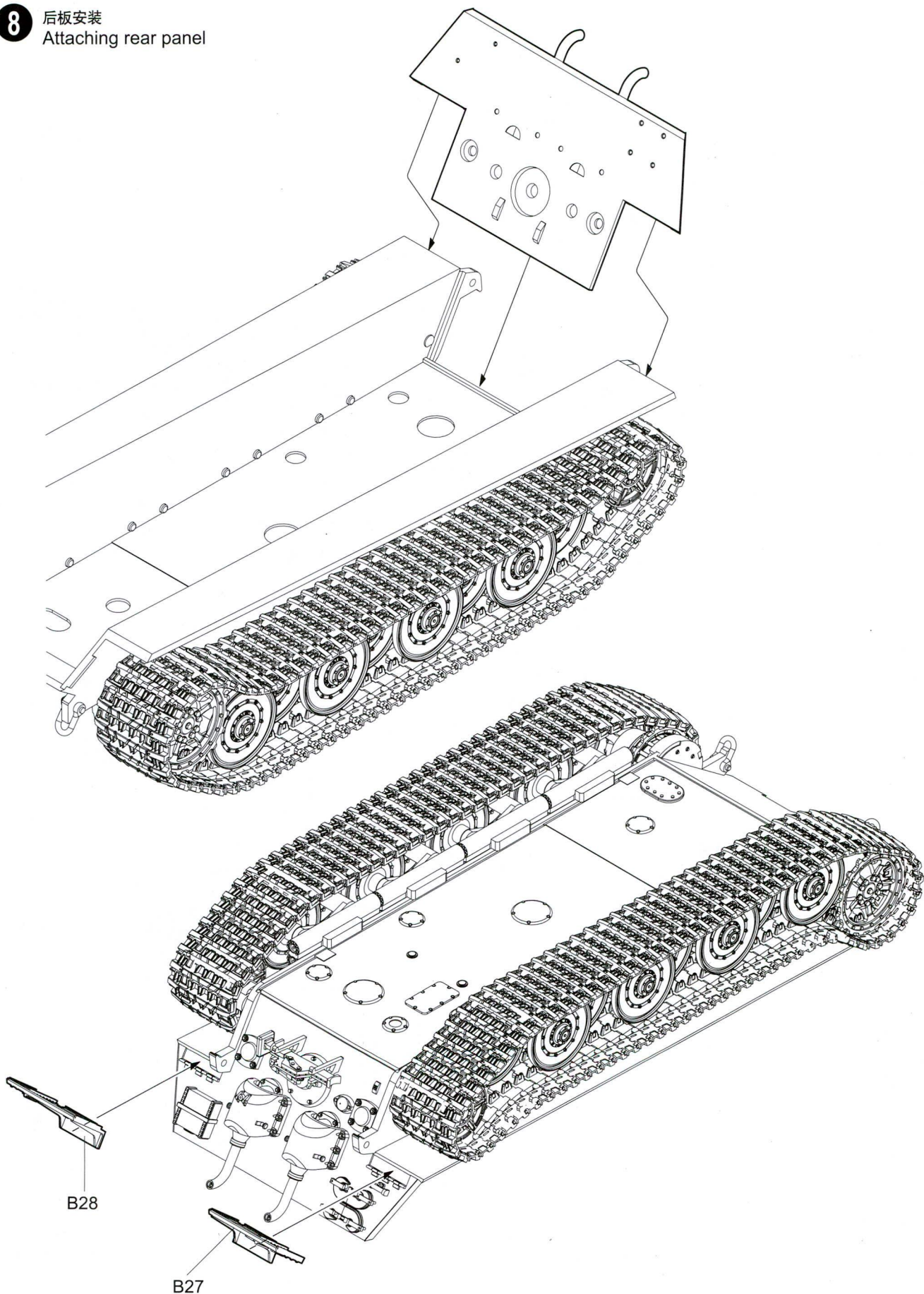


7 后板组装
Rear panel assembly

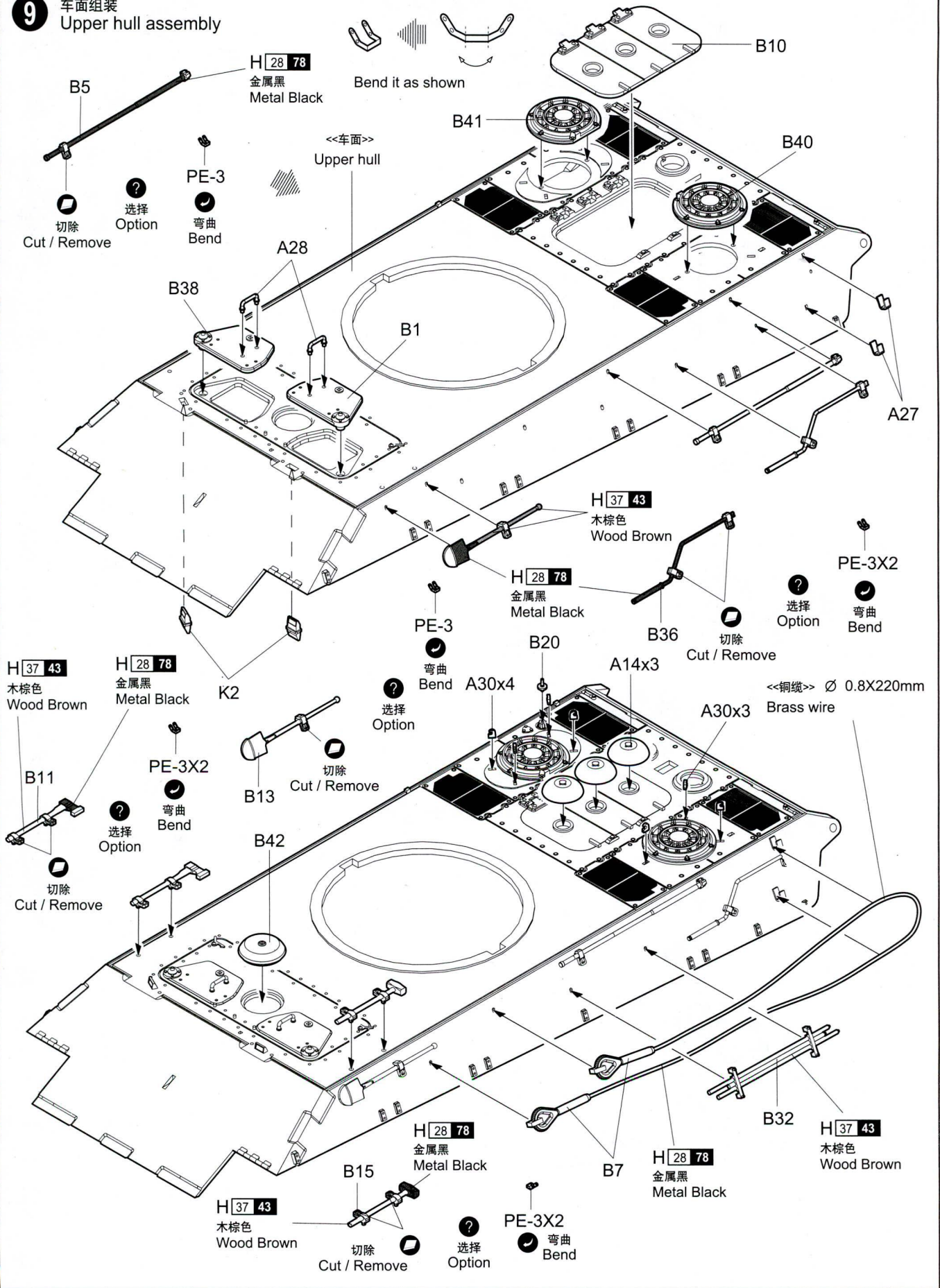


8

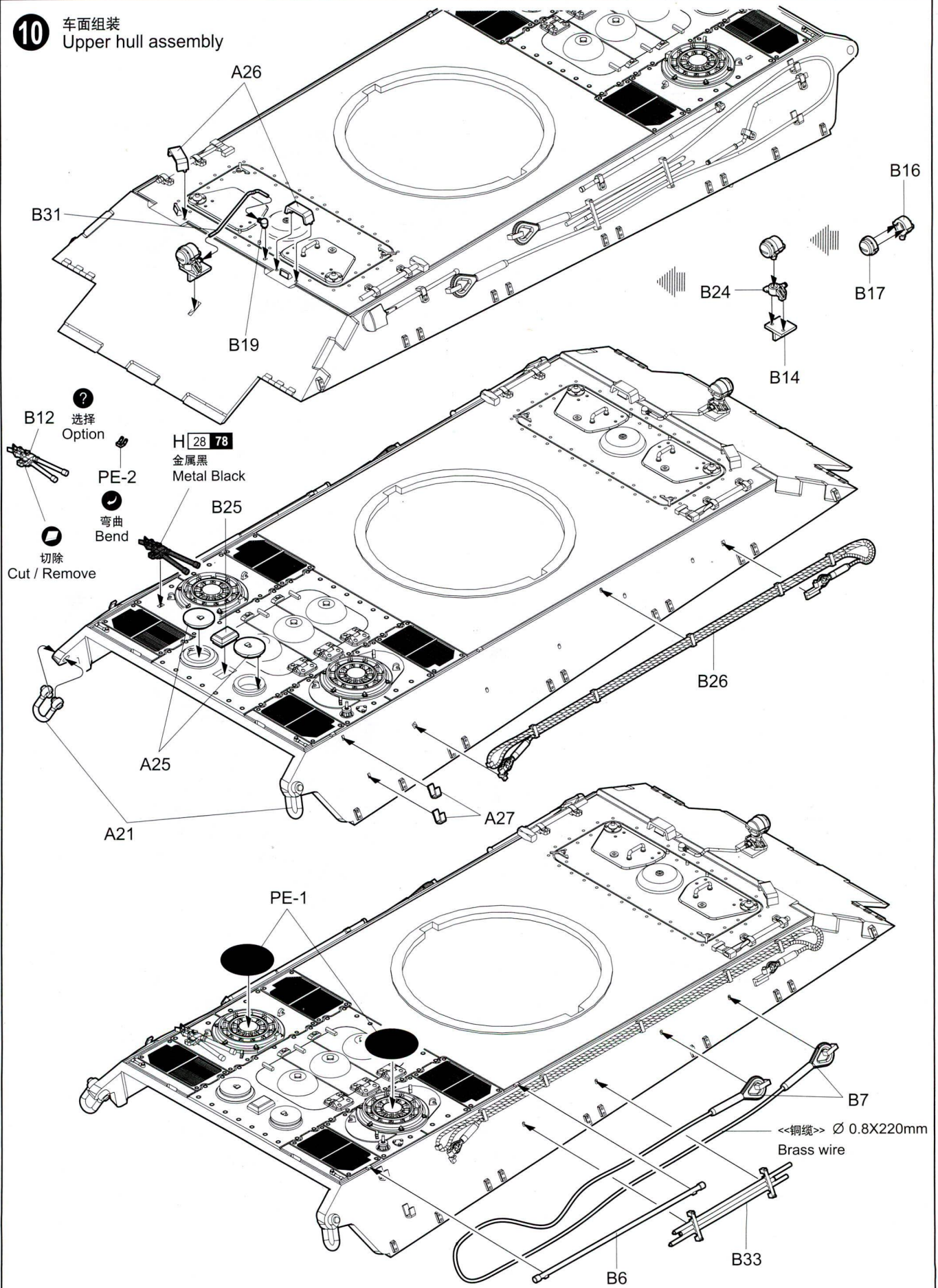
后板安装
Attaching rear panel



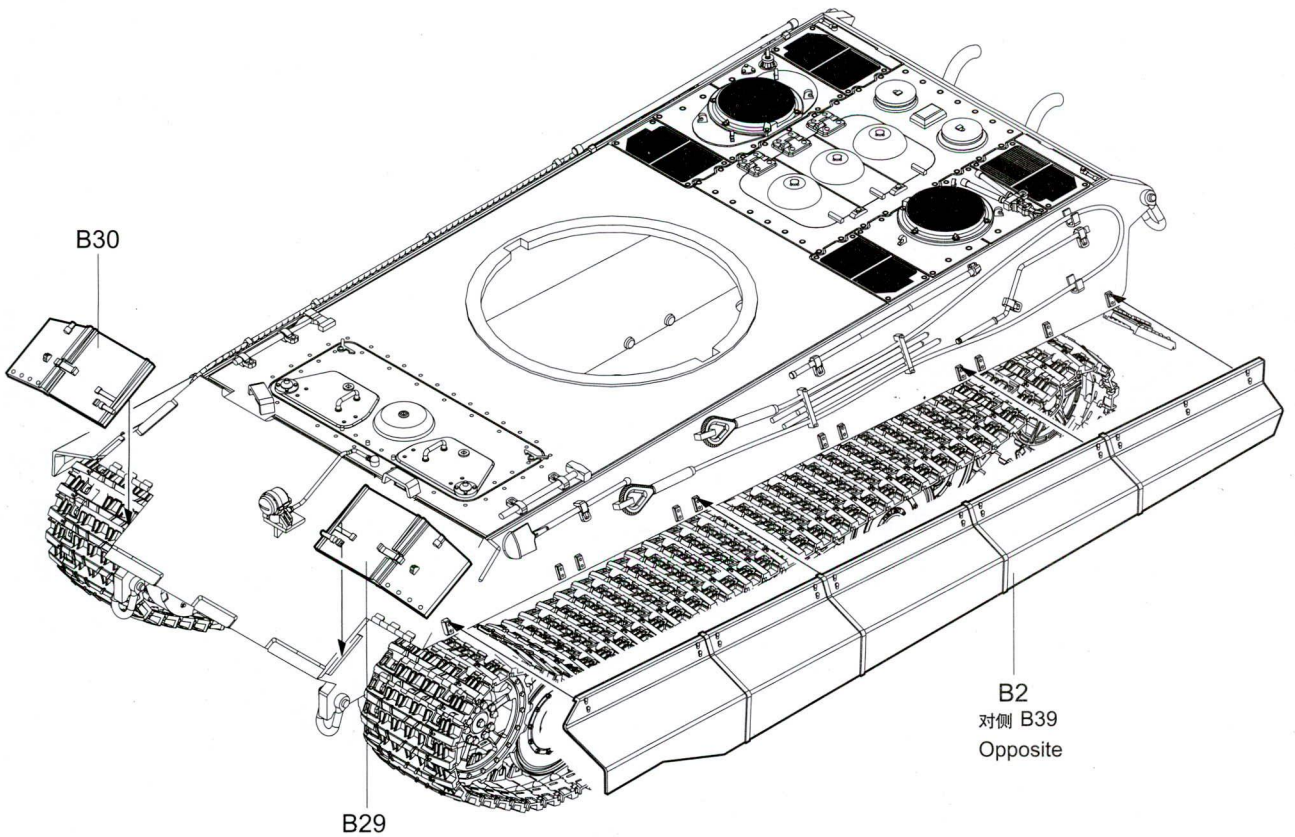
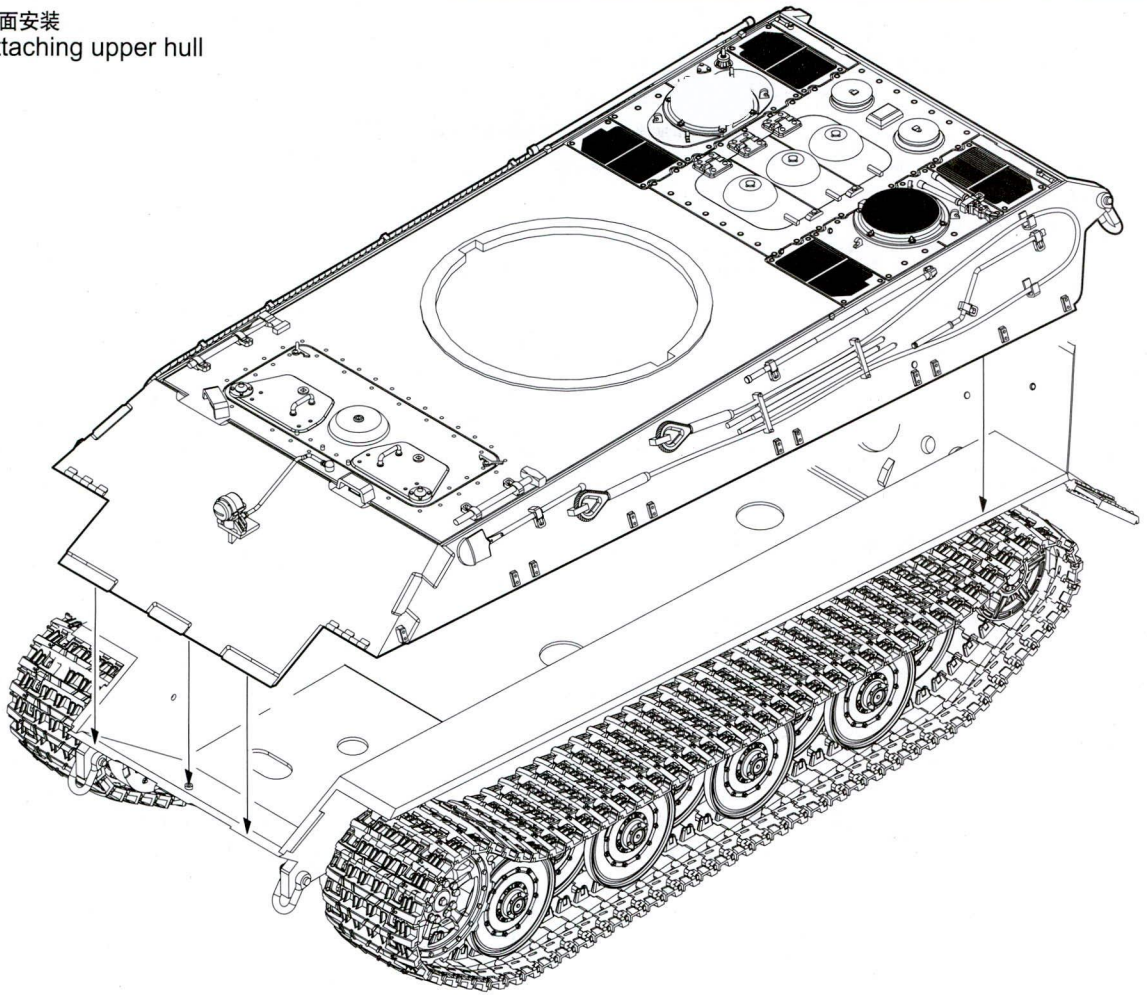
9 车面组装
Upper hull assembly



10 车面组装
Upper hull assembly

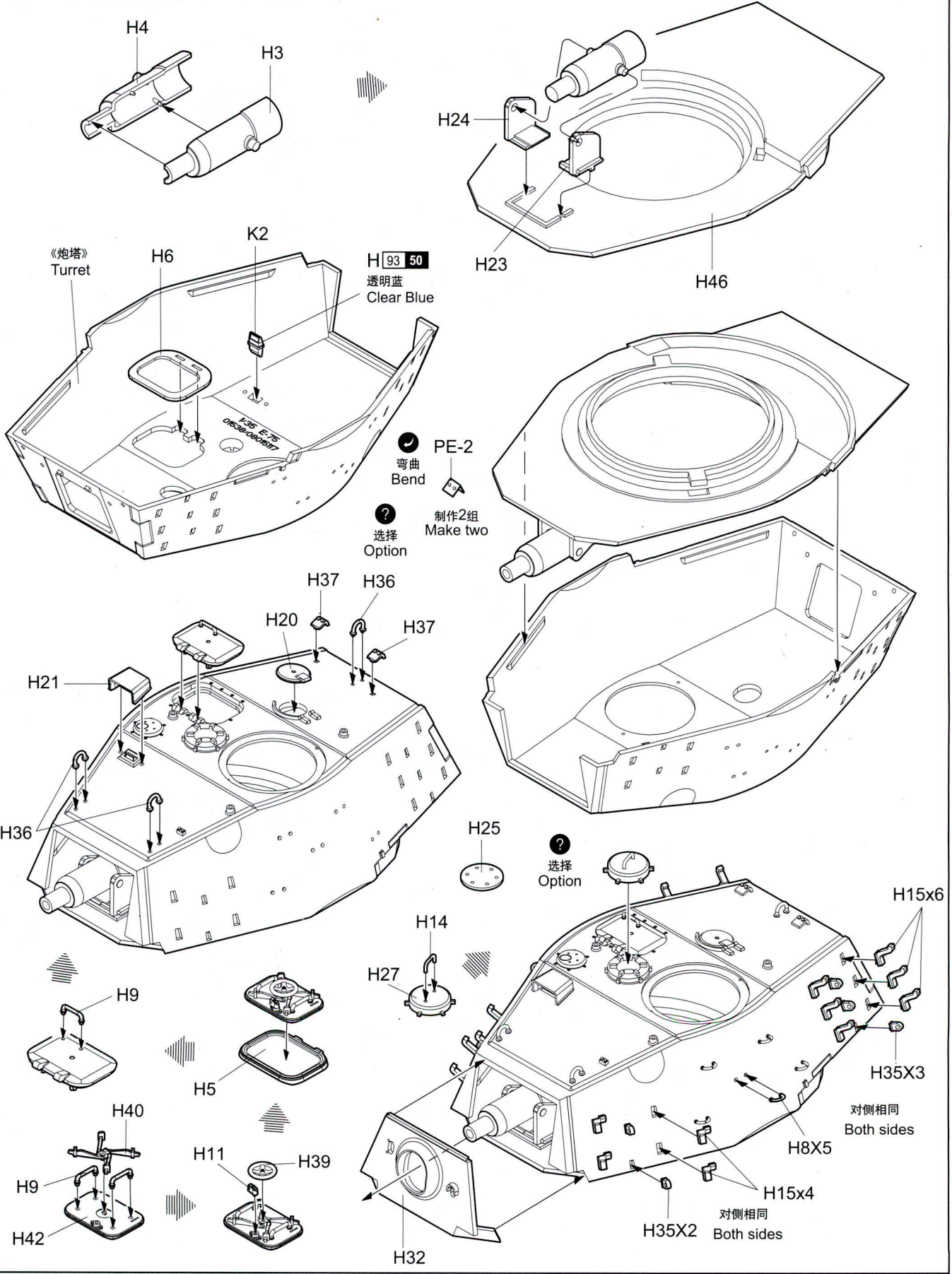


11 车面安装
Attaching upper hull



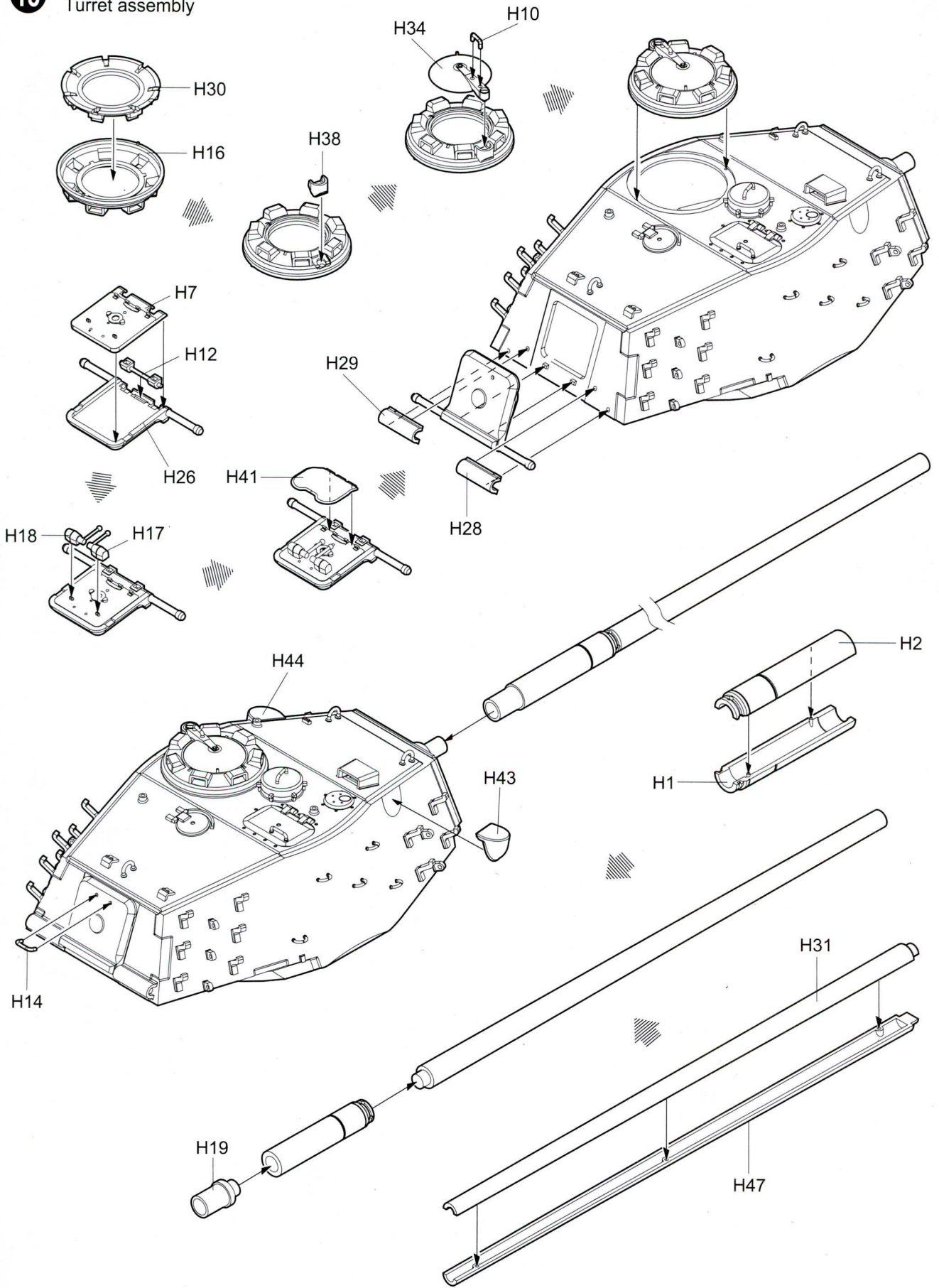
B2
对侧 B39
Opposite

12 炮塔组装
Turret assembly

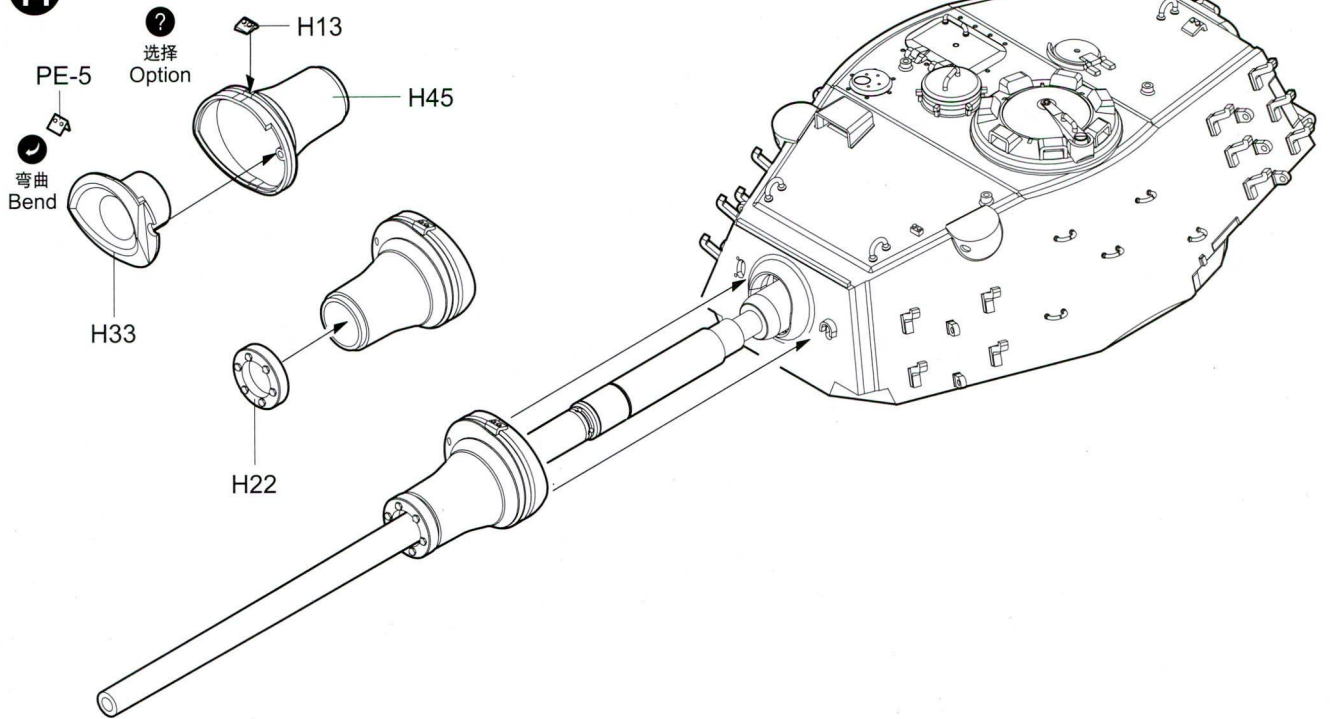


13

炮塔组装
Turret assembly



14



15

炮塔安装
Attaching turret

