

Set AC72-13

AIRWAVES 1:72 F-3 ADV TORNADO

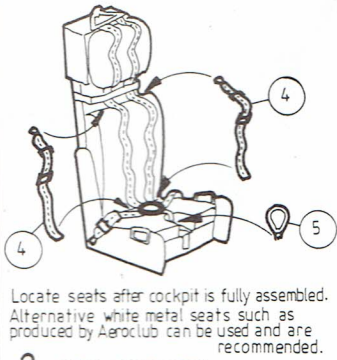
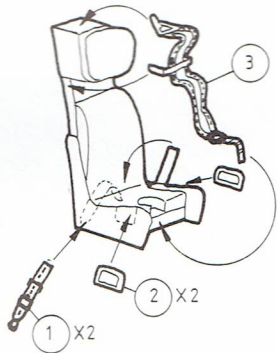
This detail set is manufactured from photo etched brass sheet and is meant for use on the 1:72 scale Italeri / Testors / Revell kit although with modification it could be made to fit the Airfix / Hasegawa versions. A modification that has to be made to the Italeri version is to the centre frame of the canopy which is located too far back. See reference material for correct position.

Use a sharp modelling knife or scalpel to separate components ensuring that this is done on a firm surface as near to the part as possible. Tag scars can be cleaned by holding part firmly in pliers and using a fine file. To fold part, support up to line of fold, and fold in one go holding part in pliers and using blade of screwdriver to fold.

For assembly use superglue or epoxy, using only the latter for fixing to clear parts. Before painting fully deflux part by cleaning in washing up liquid and rinsing in clean water. Dry parts thoroughly and prime with self etching primer or white or grey matt enamel.

Position of parts in diagrams is for guidance only. Colouring and final positioning should be checked against reference material. We recommend Aeroguide No 21 'Tornado ADV' and 'RAF Tornado' published by Ian Allan, both available from E.D. Models. Also recommended are the various Modeldecals sheets on the F-3 ADV Tornado. Airwaves sets are designed and manufactured in the Midlands for E.D. Models, 64 Stratford Road, Shirley, Solihull, West Midlands B90 3LP, England. Telephone:- 021-744-7488.

1. MB EJECTION SEAT (X 2)

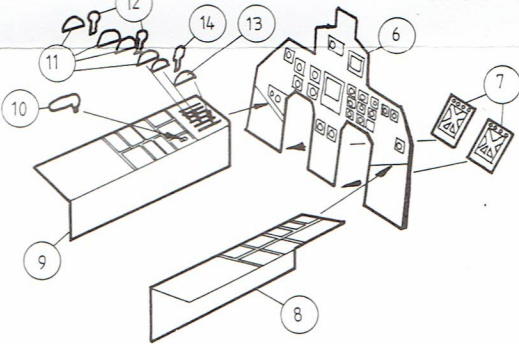


Locate seats after cockpit is fully assembled. Alternative white metal seats such as produced by Aeroclub can be used and are recommended.

2. SEATS (CONTINUED)

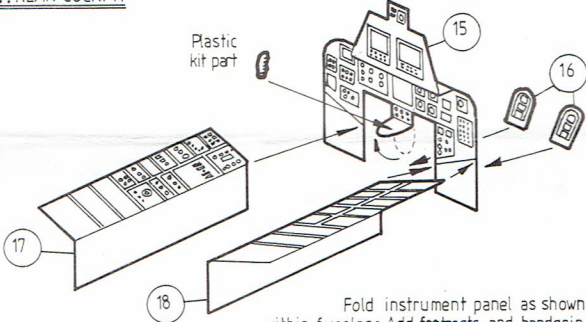
3. FRONT COCKPIT

Fit gloss black plasticard behind instrument apertures.



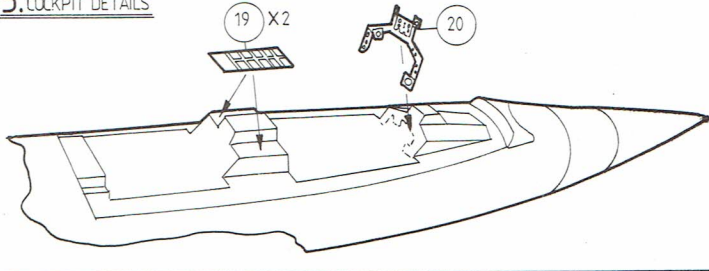
Fold consoles to match instrument panel. Fit parts together within fuselage and prior to fitting seats. Fit rudder pedals to floor. Fit throttles, quadrants, and levers to port console.

4. REAR COCKPIT

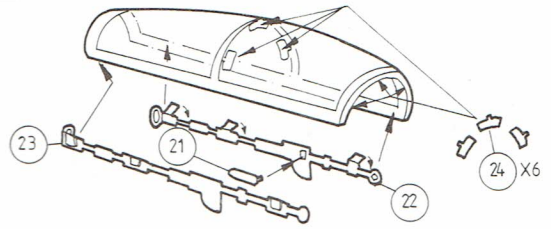


Fold instrument panel as shown and locate within fuselage. Add footrests and handgrip. Fold consoles as shown and locate in fuselage and to panel.

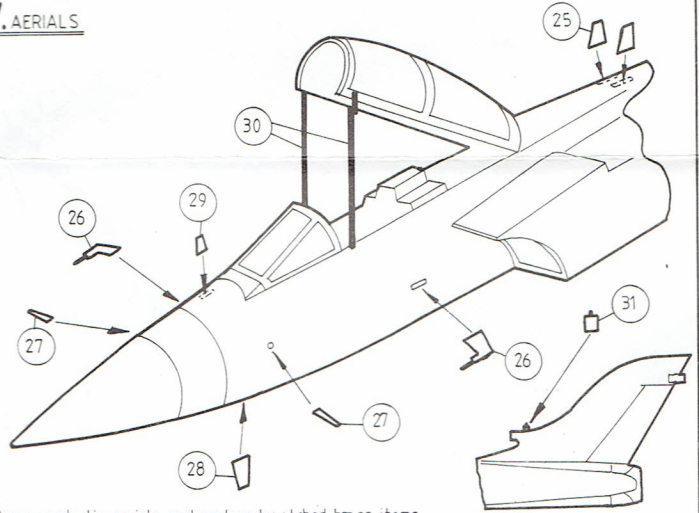
5. COCKPIT DETAILS



6. CANOPY DETAILS

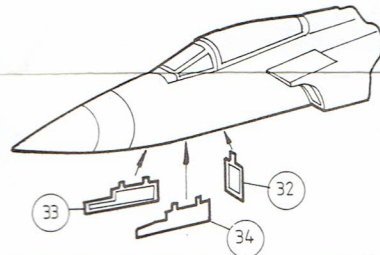


7. AERIALS

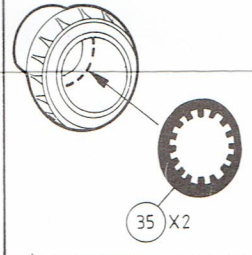


Remove plastic aerials and replace by etched brass items.

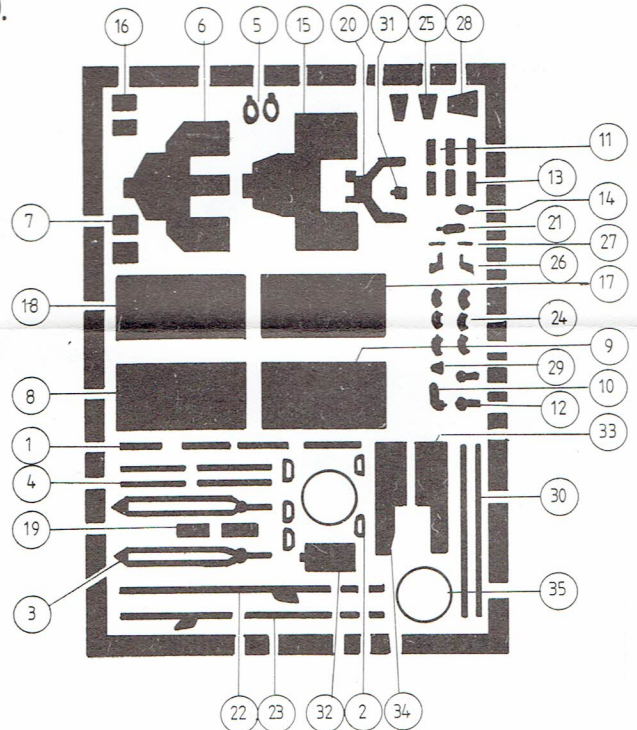
8. NOSE UNDERCARRIAGE DOORS



9. AFTERBURNER RINGS



10.



This is one of the Airwaves range of etched brass, resin or white metal modelling accessories made for distribution by E.D. Models, 64 Stratford Road, Shirley, Solihull, West Midlands B90 3LP, England. Telephone:- 021-744-7488