

COLOR TABLE

Color Chart		MR. HOBBY	Tamiya	AMMO MIG	Hataka	LIFECOLOR
Black	A	C33/H12	XF-1	MIG 046	HTK 100	LC 02
Silver	B	C8/H8	X-32	MIG 195	HTK B003	LC 74
Aluminium	C	MC 218	XF-16	MIG 194	HTK 078	LC 24
Gun Metal	D	C78/H28	X-10	MIG 045	HTK 106	LC 26
Rubber Black	E	C137/H77	XF-85	MIG 035		UA 733
Interior Green	F	C351/H58		MIG 0220	HTK 211	UA 004
Yellow Chromat	G	C352				
Clear Green	H	C138/H94	XF-25	MIG 092		
Burnt Iron	I	C61/H76	XF-25	MIG 187		LC 37
Signal Red	J	C79/H11	XF-2	MIG 049	HTK-103	LC 56
Polished metal	K	MC 211	XF-56	MIG 0192		
Olive Green	L	C309/H309	XF-65		HTK 016	UA 001
Neutral Gray	M	C13/H53		MIG 0239	HTK 033	UA 046
Clear Red	N	C47/H90	XF-27	MIG 093		
White	O	C62/H11	XF-2	MIG 0047	HTK 101	LC 01
Engine Gray	P	C339/H339	XF-2	MIG 0908	HTK 030	UA 030
Yellow	R	C329/H329	X-8		HTK 107	



Seversky J-9 (RSAF)

USED SYMBOLS



CEMENT



DON'T CEMENT



REMOVE



SYMMETRICAL



MULTIPLE



BEND



OPEN WHOLE



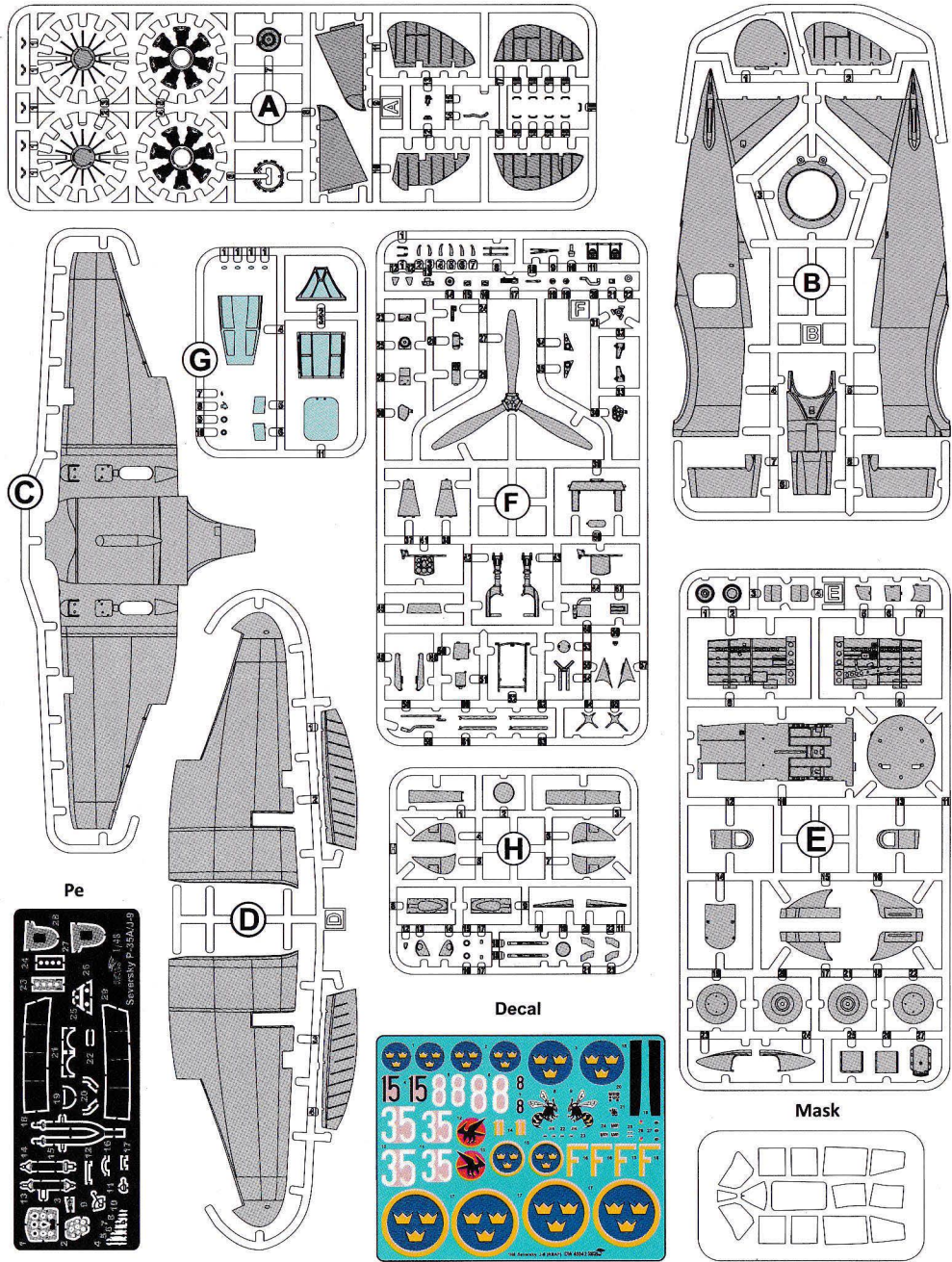
VARIANTS



TO PAINT

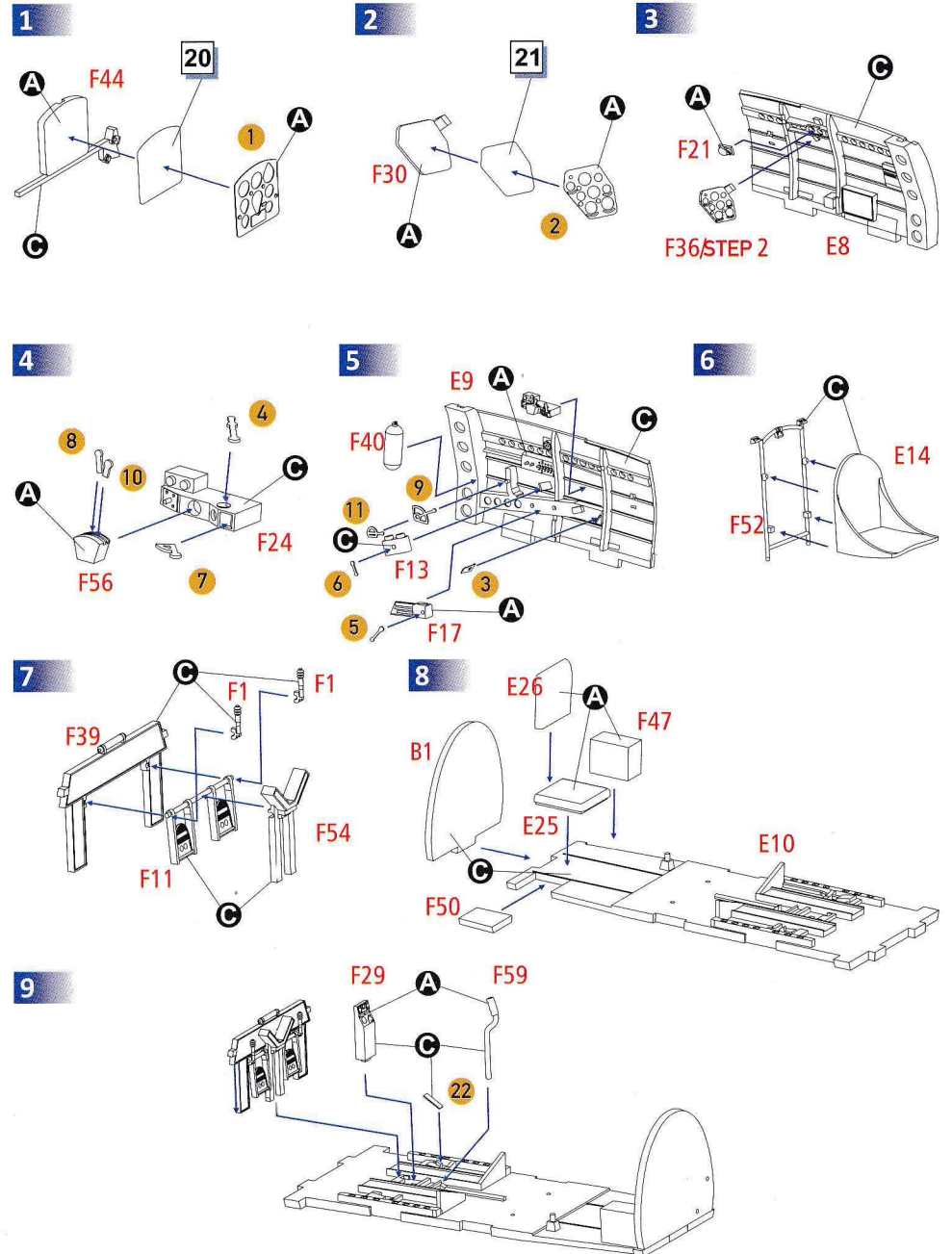
DW 48042

PARTS OF THE MODEL

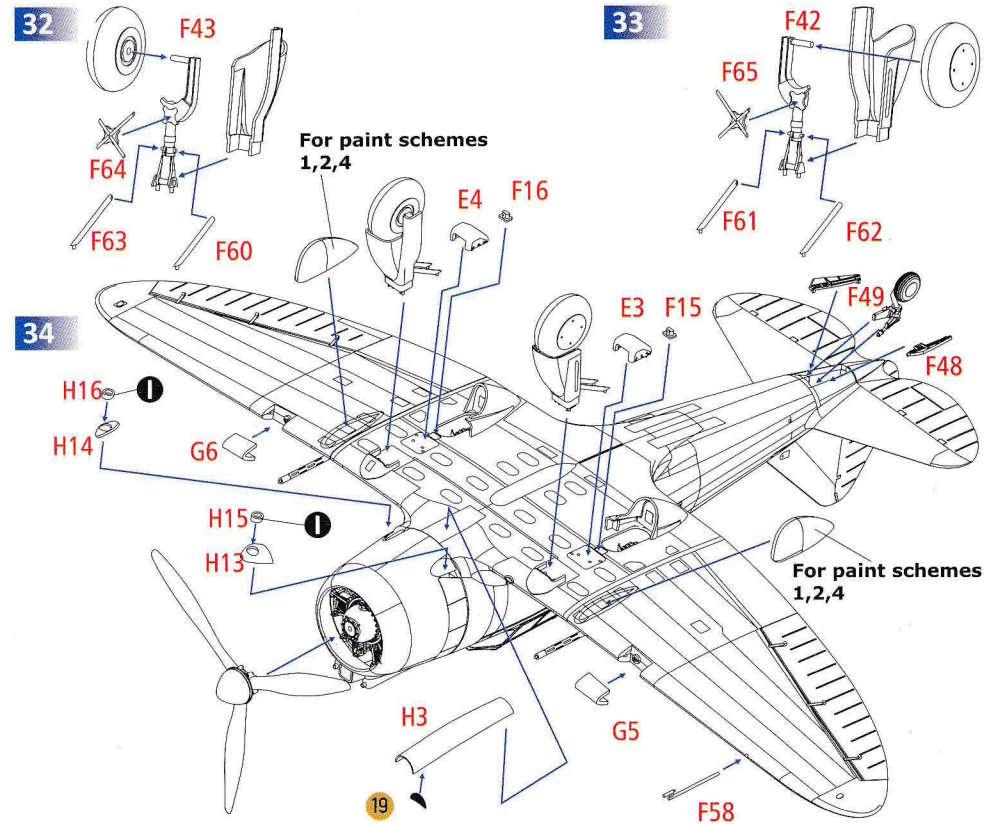
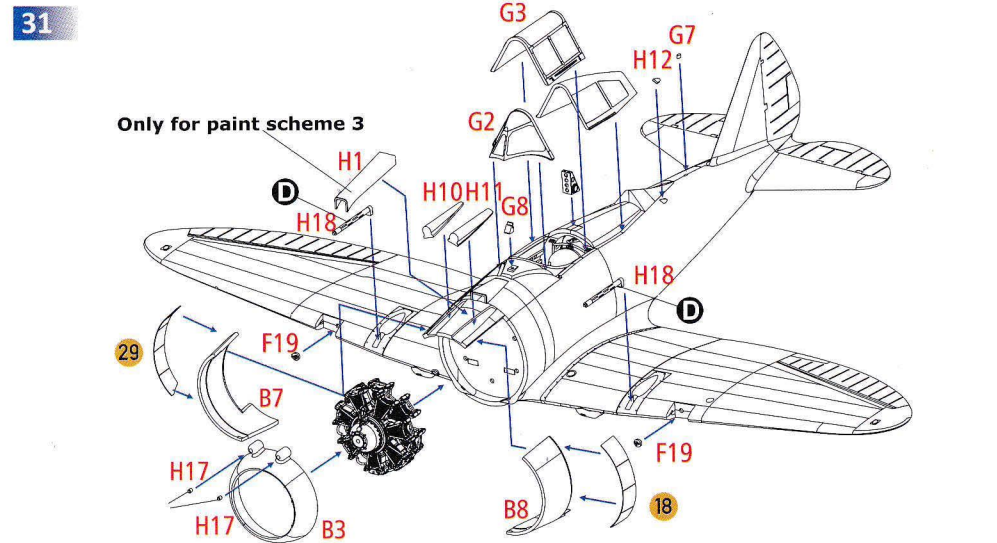
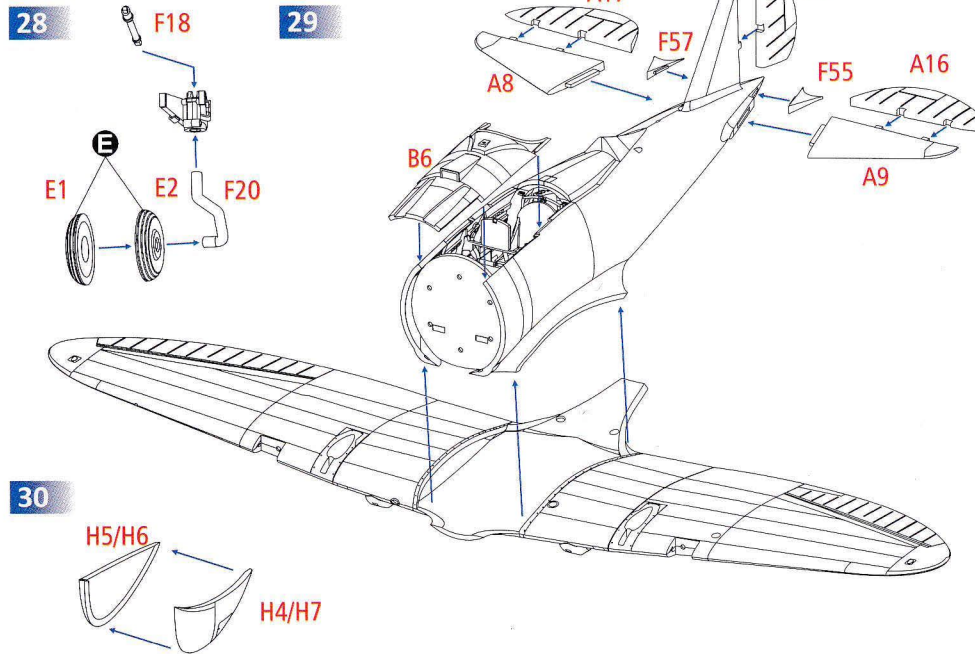
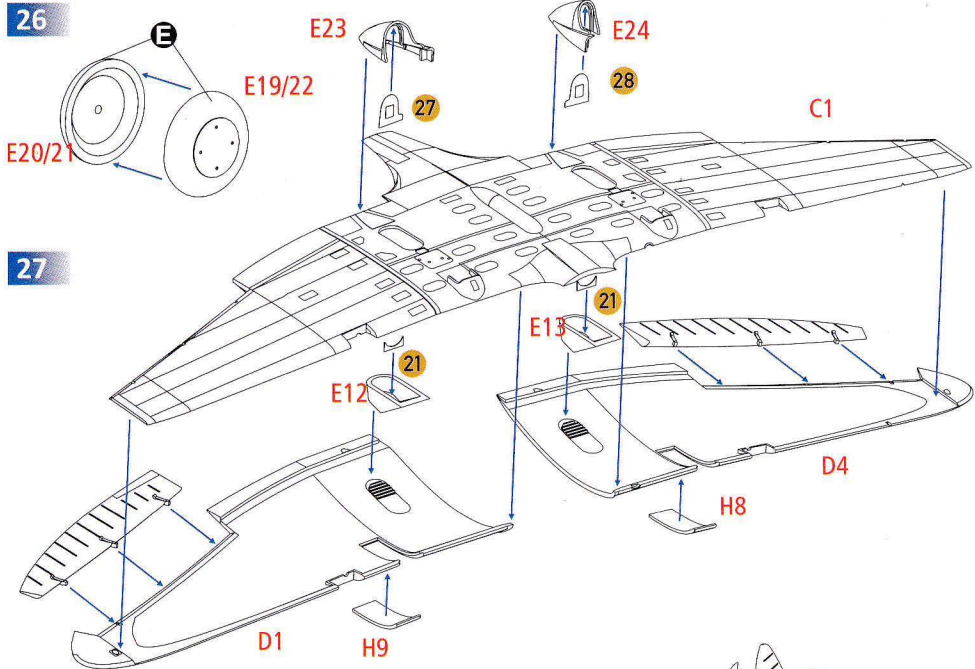


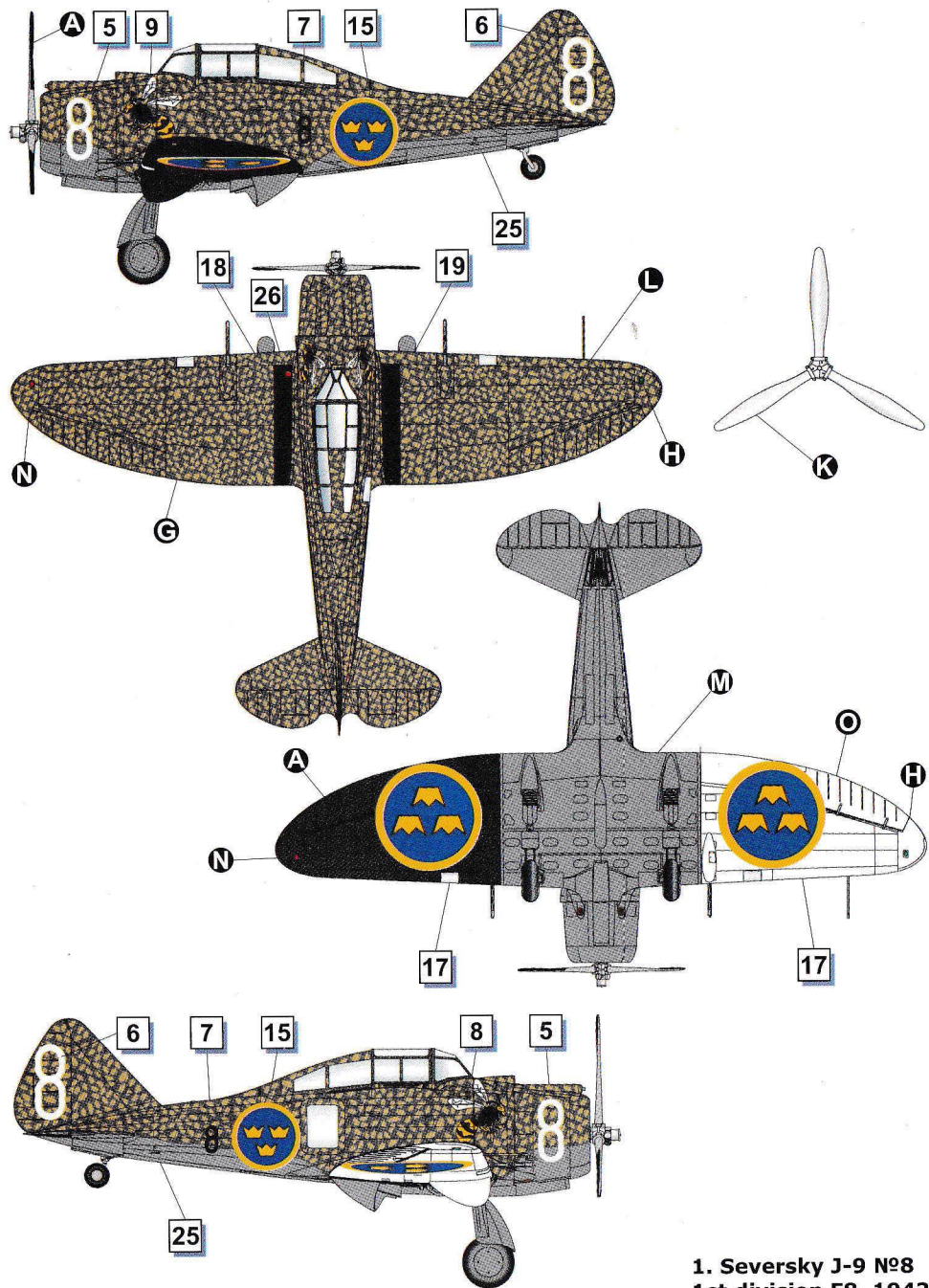
Seversky J-9 (RSAF)

ASSEMBLY INSTRUCTION

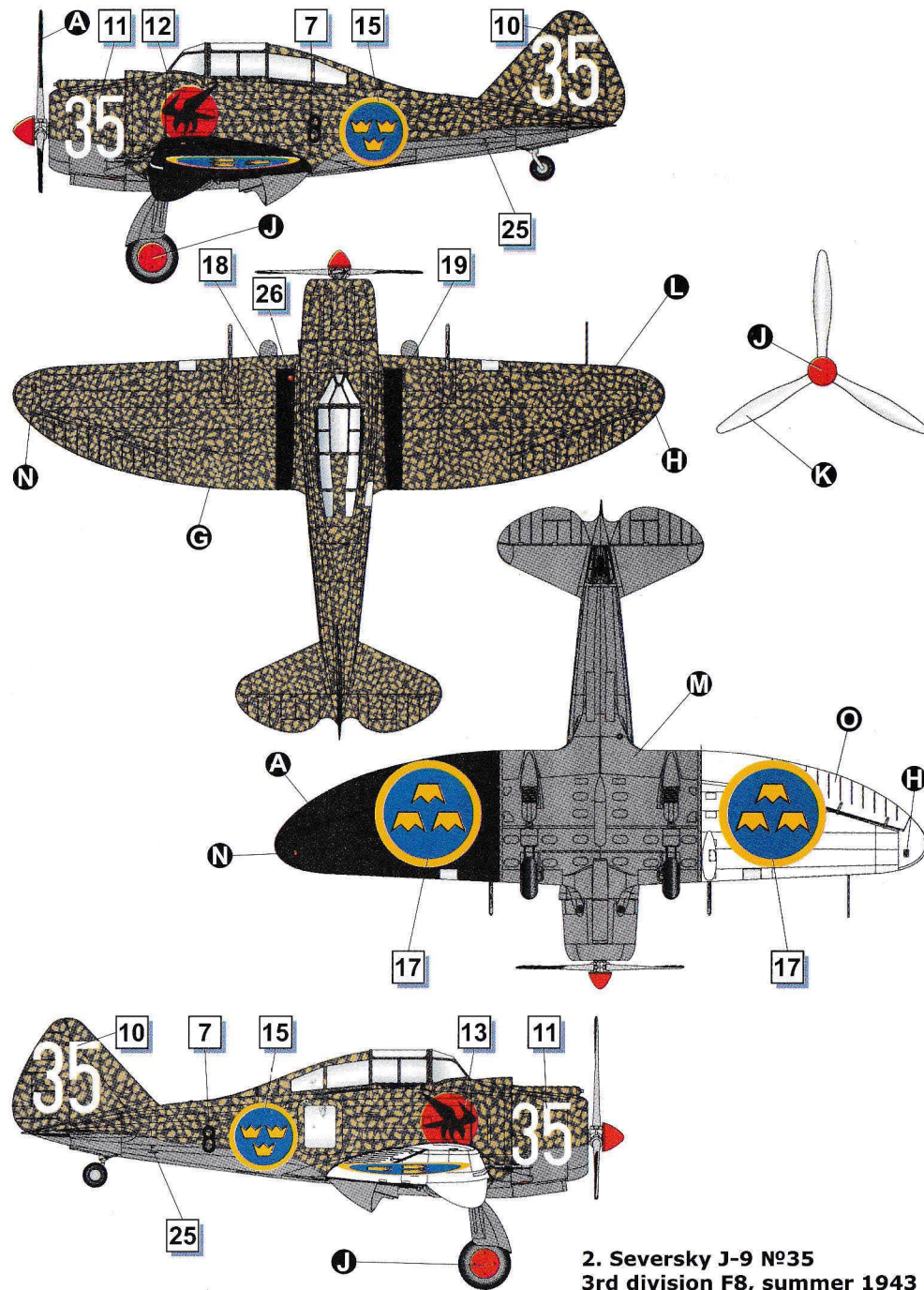


Seversky J-9 (RSAF)

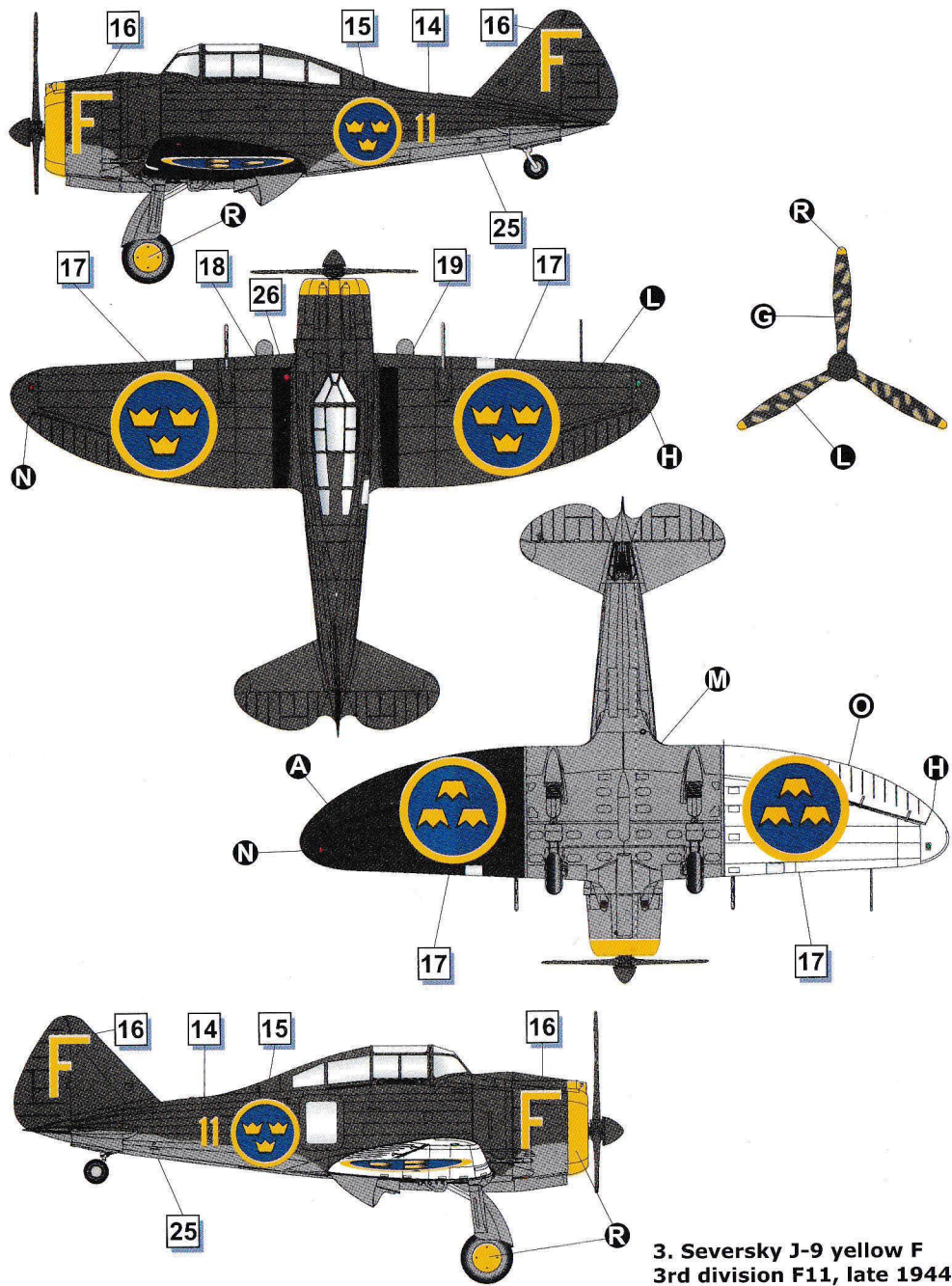




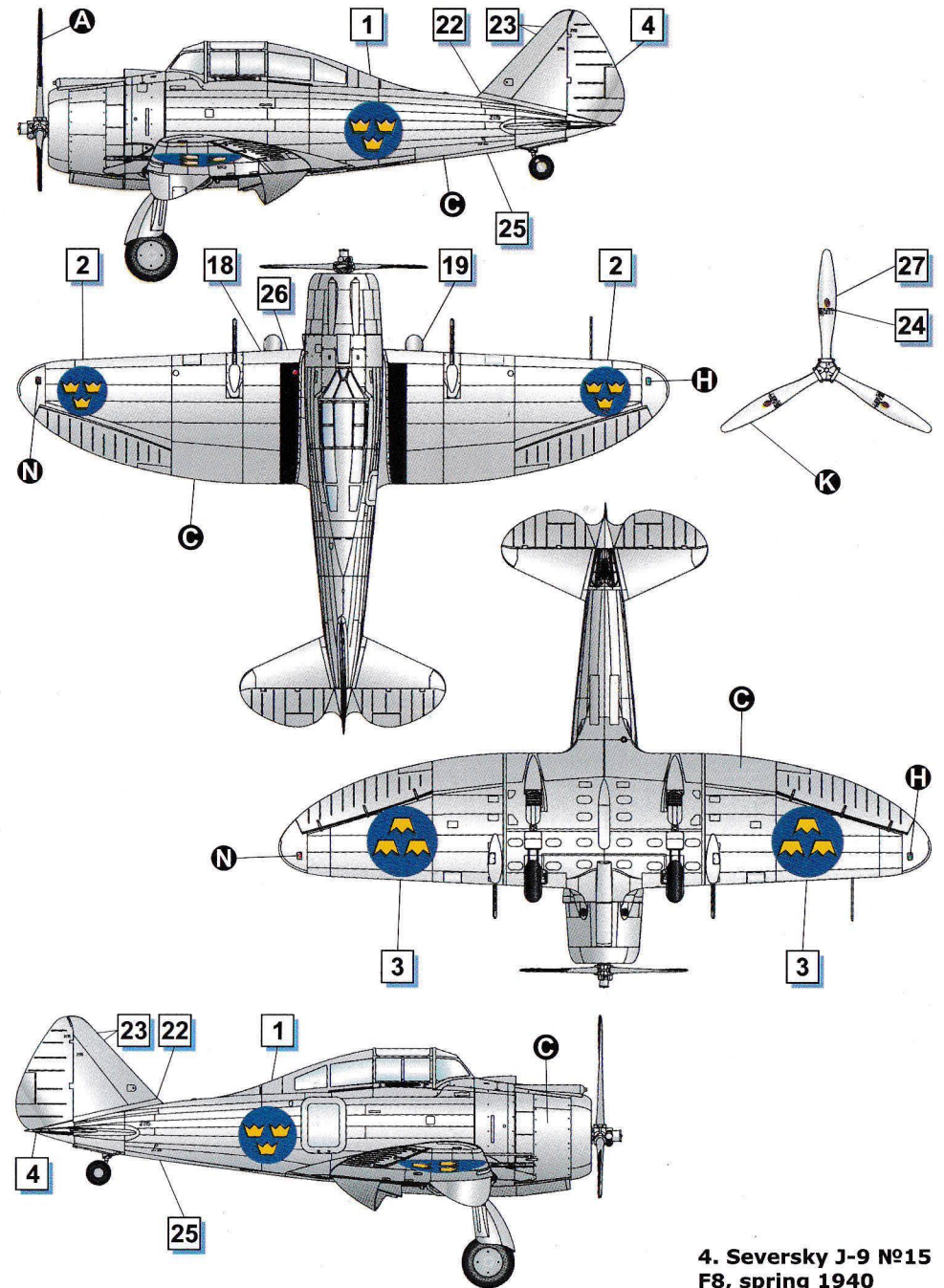
1. Seversky J-9 №8
1st division F8, 1942



2. Seversky J-9 №35
3rd division F8, summer 1943



Seversky J-9 (RSAF)



Seversky J-9 (RSAF)