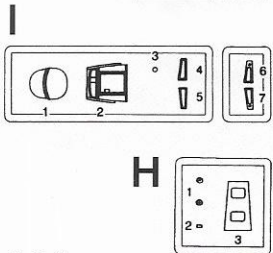
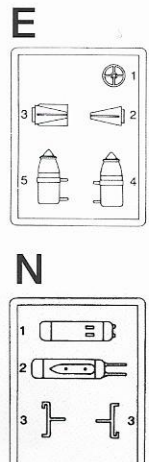
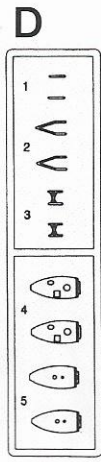
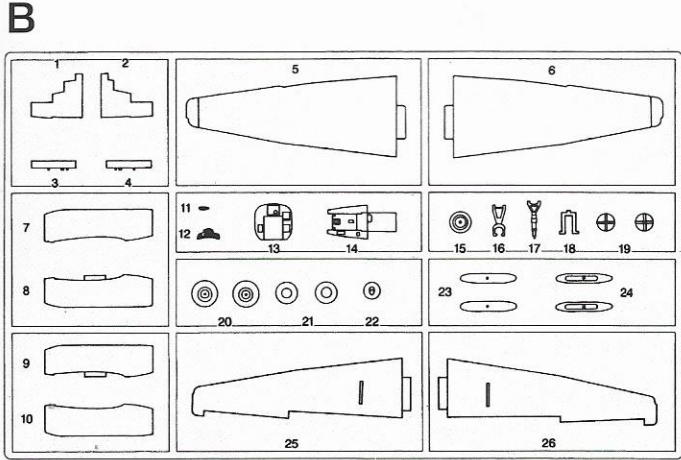
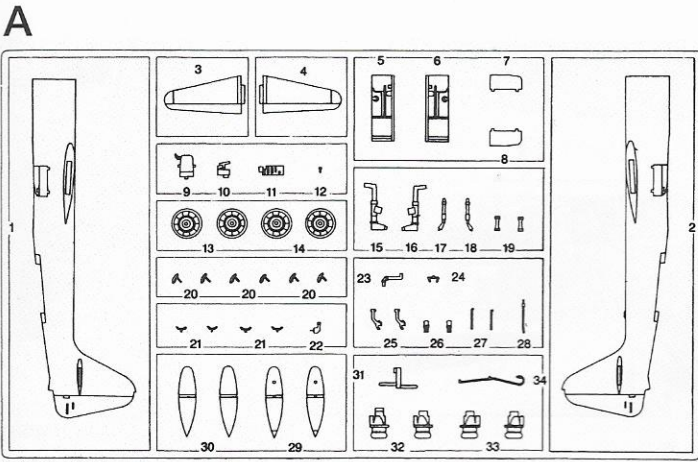
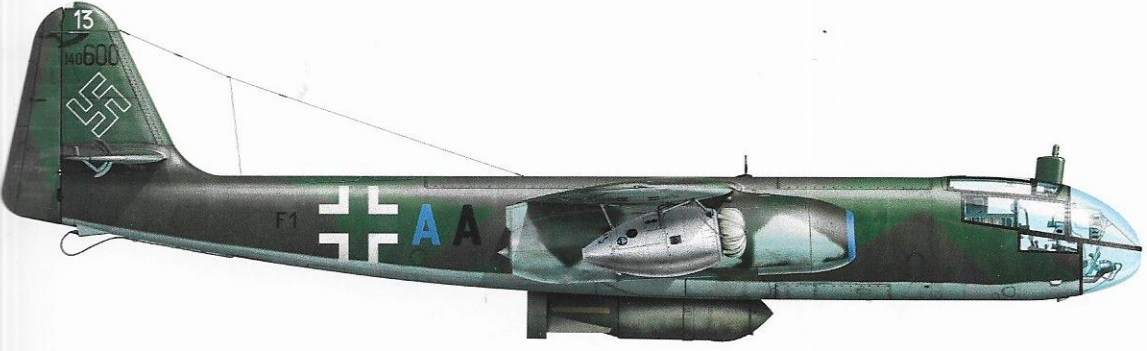


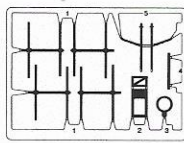
Arado Ar 234 B-2

End of War

72040



MA
(PHOTO-ETCHED PARTS)



HOLE
FORO APERTO
OFFNEN
HACER AQUJERO
WYKONAC OTWOR
FAIRE UN TROU
VYVRTAT OTVOR

★
DECAL
DECAL/COMANIE
ABZIEHBILD
CAL/COMANIA
KALKOMANIA
DECAL/COMANIE
OBTISK

OPTION
ENTFERNEN
CORTAR
WYCIAC
SEPARARE
ODSTRANIT

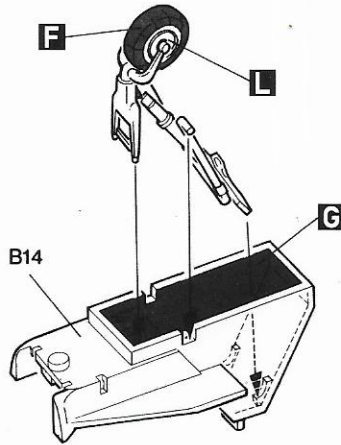
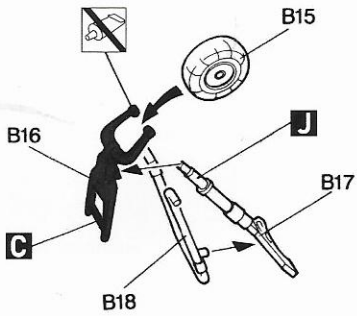
OPTION
FACULTATIV
NACH BELIEBEN
HACER AQUJERO
DO WYBORU
FACOLTATIVO
VOLBA

DO NOT CEMENT
NE PAS COLLER
NICHT KLEBEN
NO PEGAR
NIE SKLEJAC
NON INCOLLARE
NELEPIT

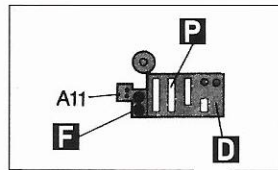
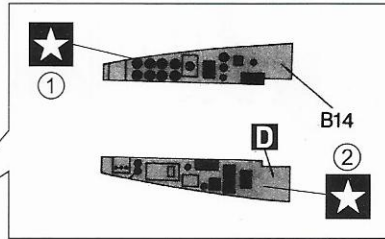
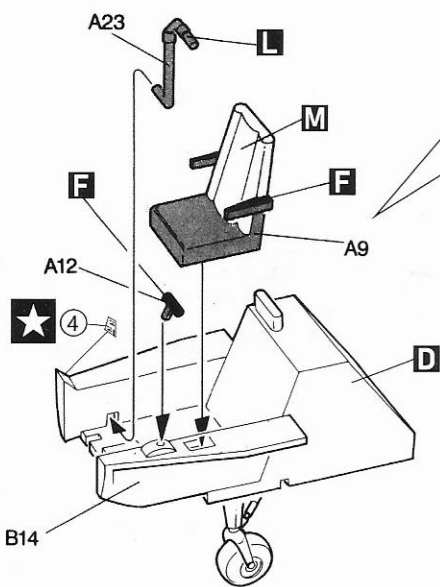
DO NOT CEMENT
NE PAS COLLER
NICHT KLEBEN
NO PEGAR
NIE SKLEJAC
NON INCOLLARE
NELEPIT

Color Chart	AK Interactive	Alclad2	AMMO	HATAKA	Mr. COLOR	TAMIYA
RLM 81 Brown Violet	A	RC325	255	008	121	XF-51
RLM 82 Light Green	B	RC326	230	020	122	
RLM 76 Light Blue	C	RC321	E222	063	117	
RLM 66 Black Gray	D	RC339	121	218	040	XF-24
Flat White	E	RC004	101	047	101	XF-2
Flat Black	F	RC001	102	046	100	XF-1
RLM 02 Gray	G	RC266	E202	217	023	60
Gun Metal	H	RC015	120	045	106	214
RLM 04 Flat Yellow	I	RC267	E102	048	066	113
Silver	J	AK-478	401	195	003	8
Steel	K	AK-476	112	191		028
Gloss Black	L	AK-471	305	032		2
Olive Drab	M	RC259	E617	927	018	12
Clear Blue	N	RC504	403	098	CC01	50
Clear Red	O	RC503	401	093	CC02	47
Flat Blue	P	RC291	E626	086	255	110
Buff	Q	RC013		122	184	45
Burnt Metal	R	RC015	194	187	132	
Flat Red	S	RC005	E651	049	103	114
RAL 7027 Grau	T	RC058		009	306	

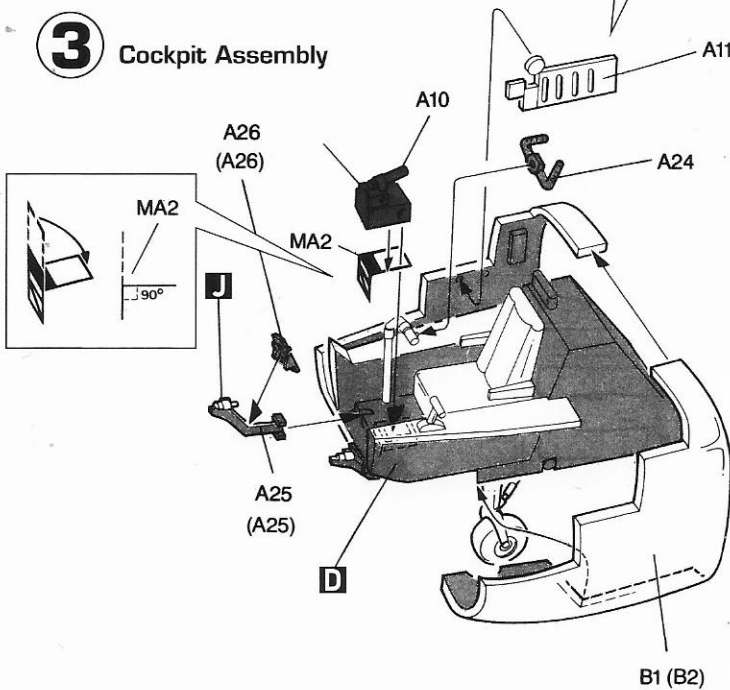
1 Nose Gear Assembly



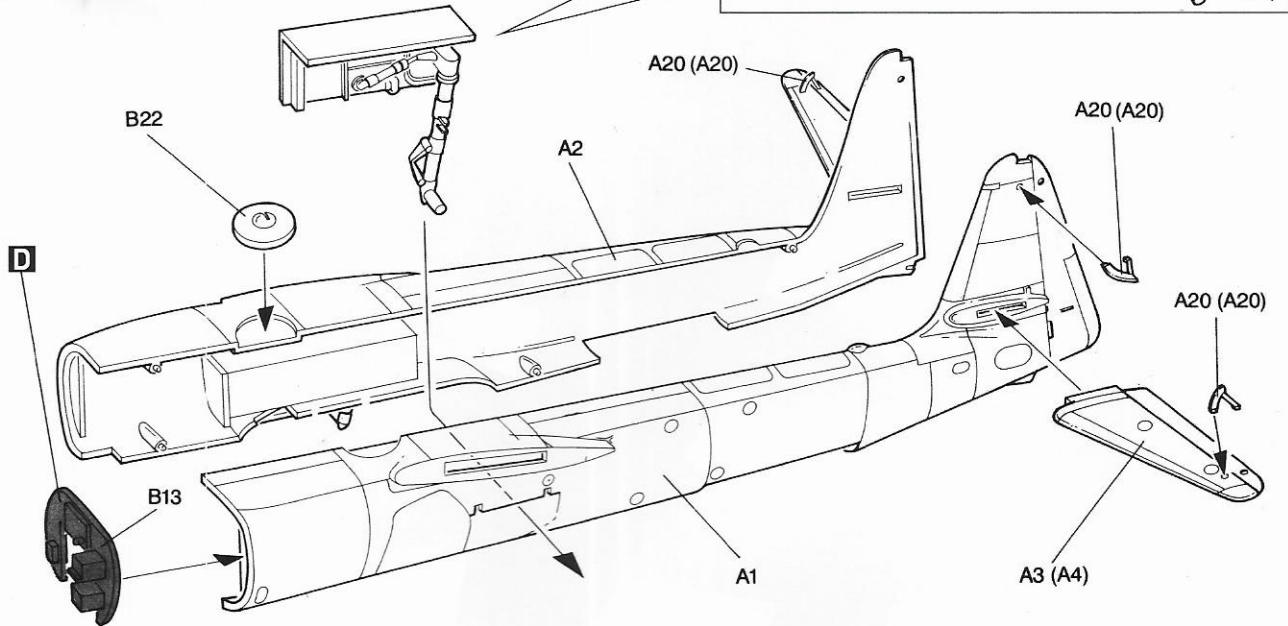
2 Pilot's Seat Assembly



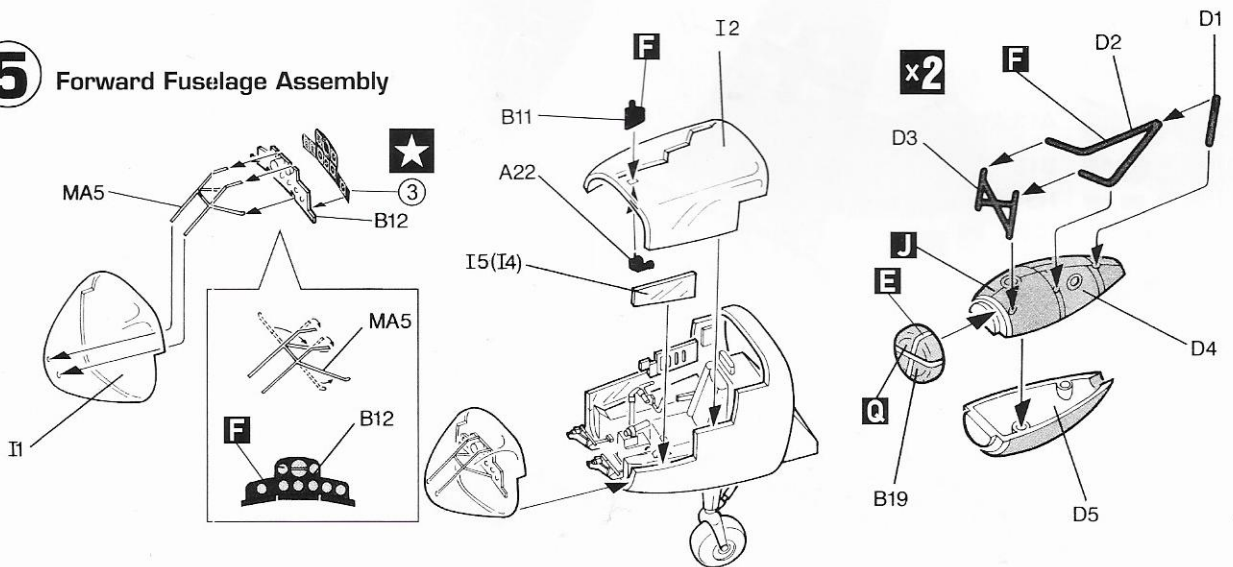
3 Cockpit Assembly



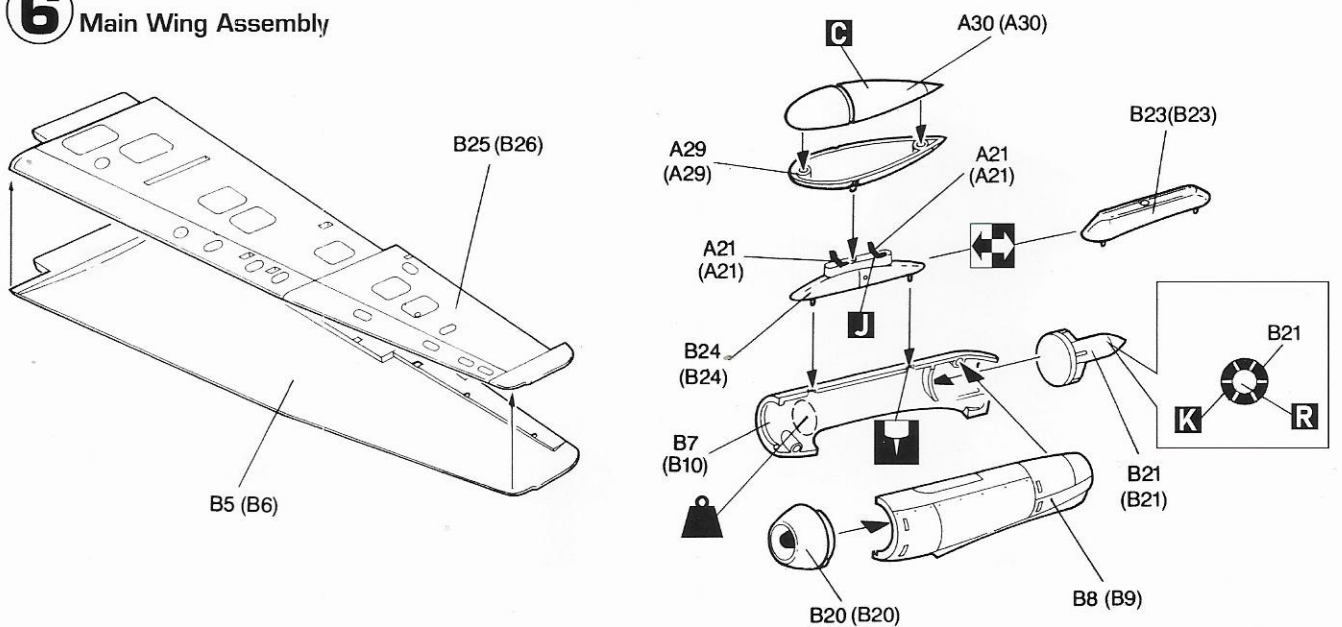
4 Fuselage Assembly



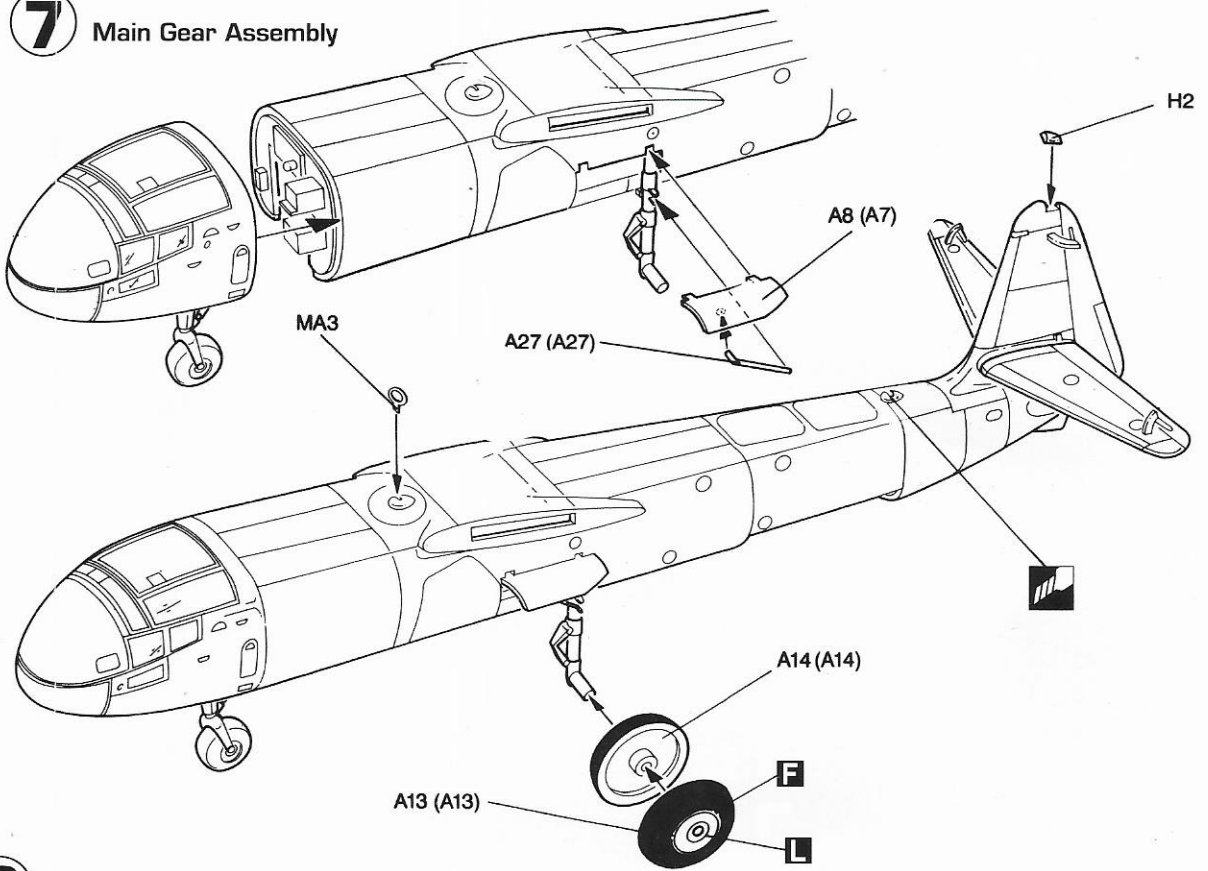
5 Forward Fuselage Assembly



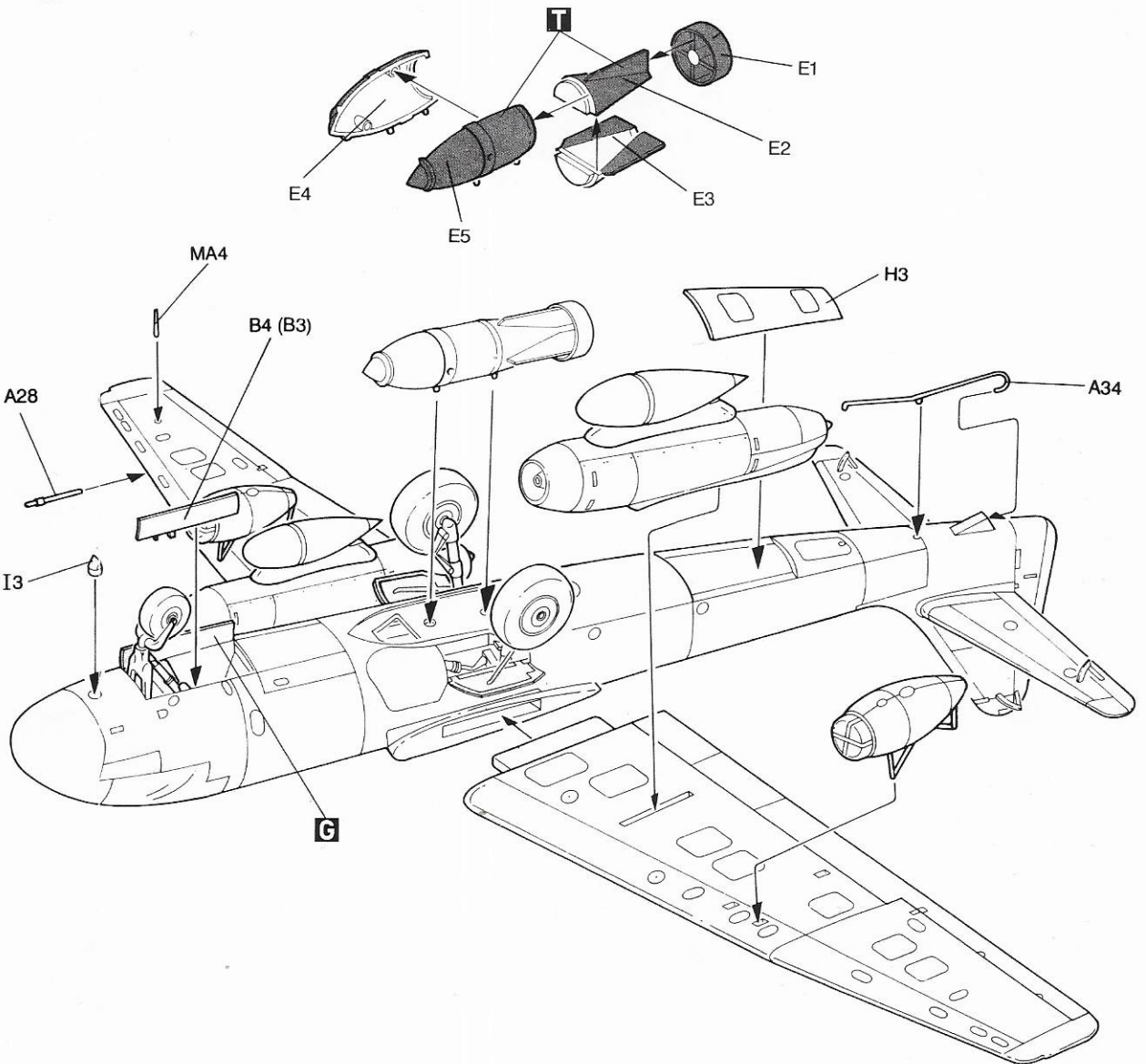
6 Main Wing Assembly



7 Main Gear Assembly



8 Final Assembly



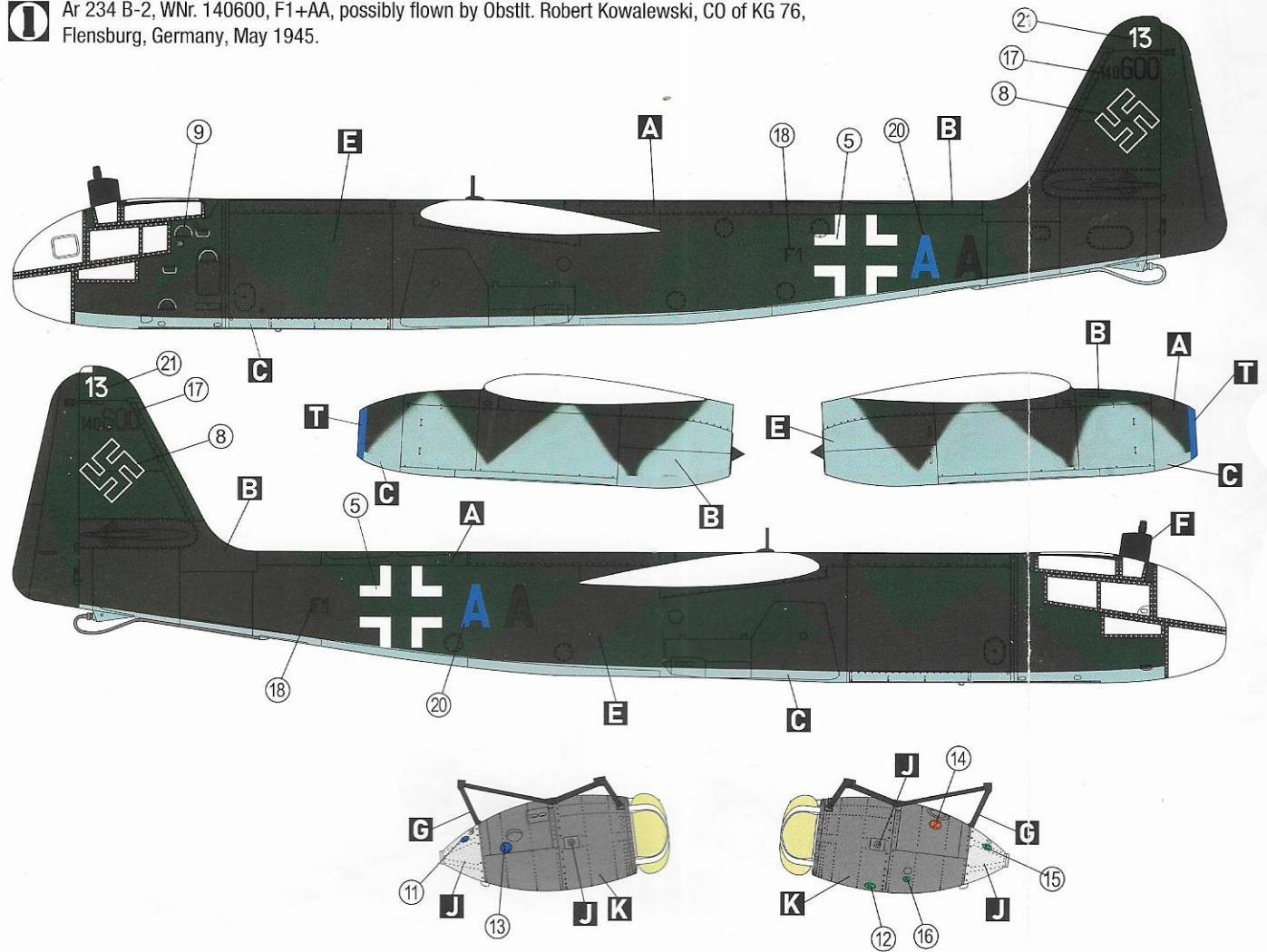
MARKINGS AND PAINTING

Marcio & Pittura

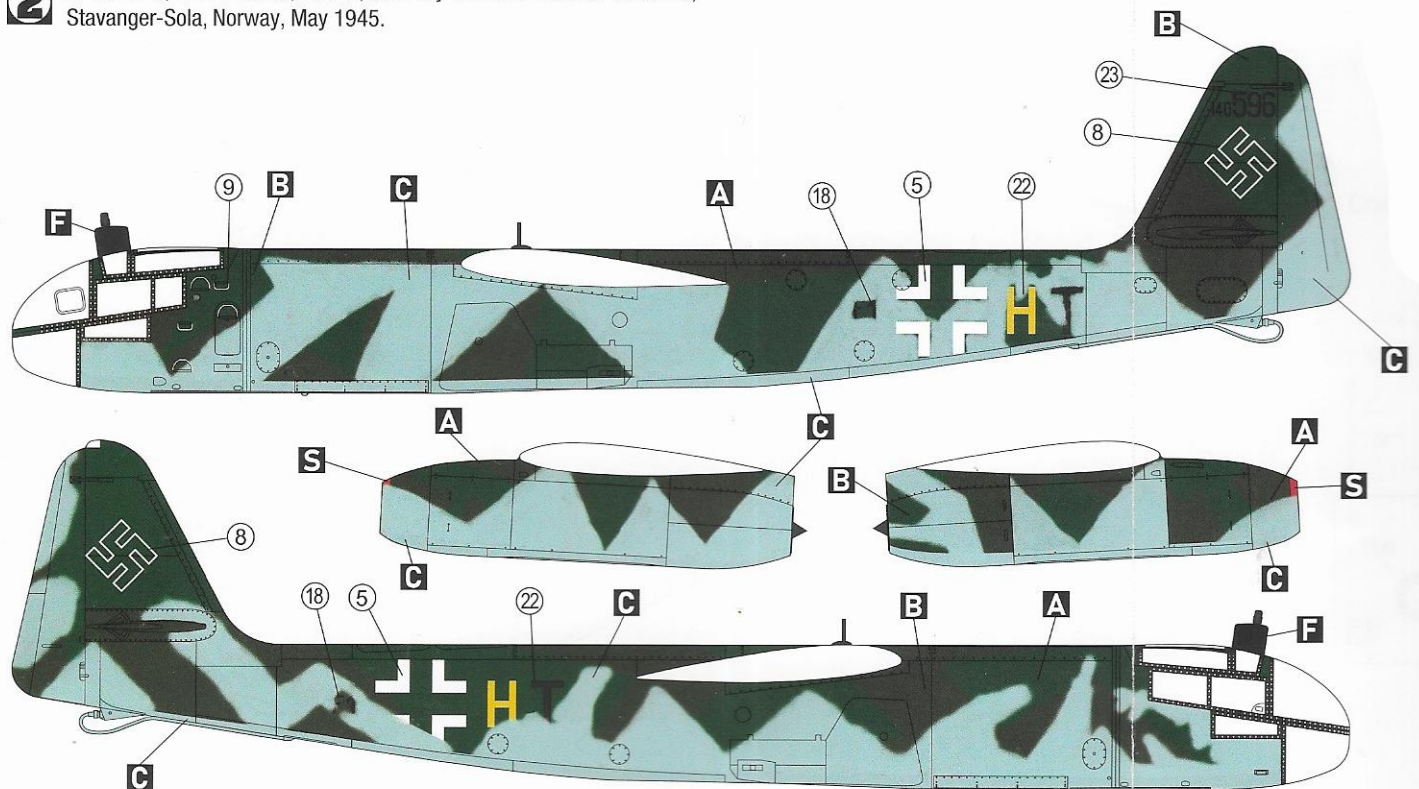
Markierungen und Bemalung
Oznakowania i MalowanieDecoration et Peinture
Označeni & Zbarveni

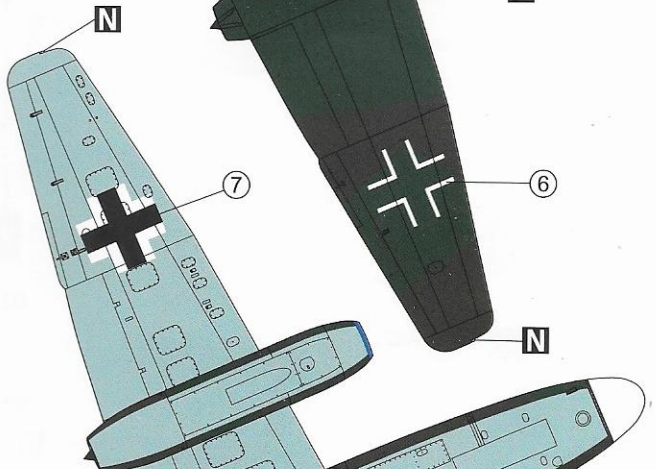
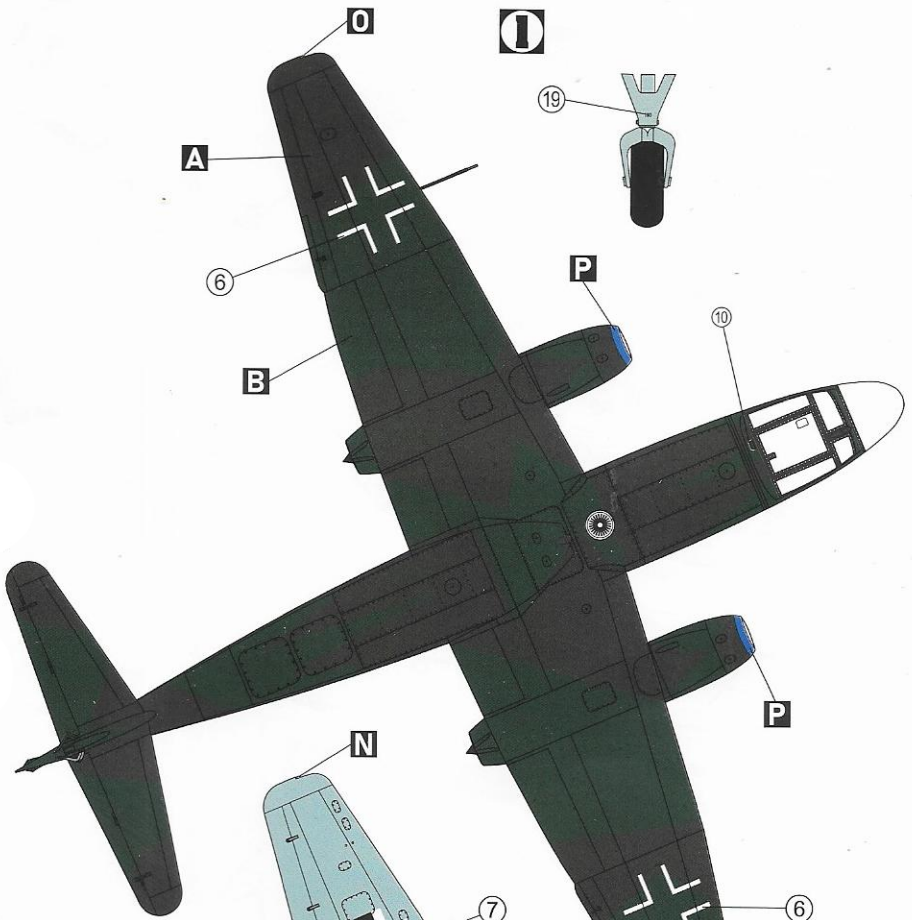
Decoracion y Pintura

1 Ar 234 B-2, WNr. 140600, F1+AA, possibly flown by Obstlt. Robert Kowalewski, CO of KG 76, Flensburg, Germany, May 1945.








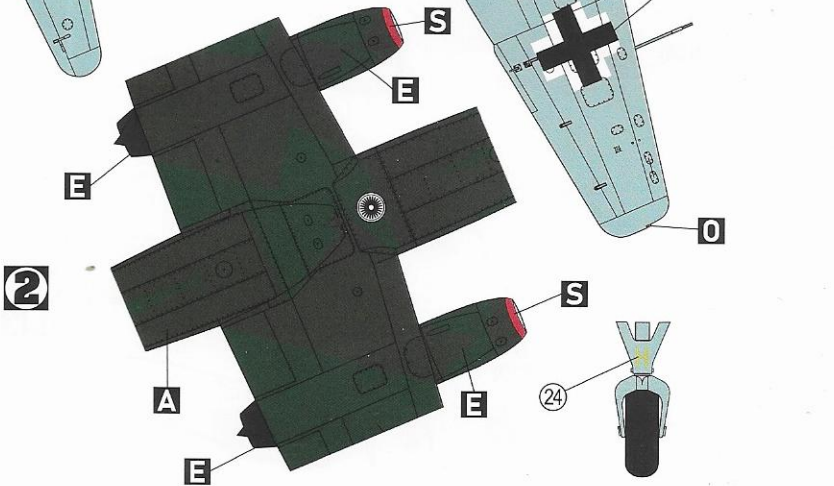
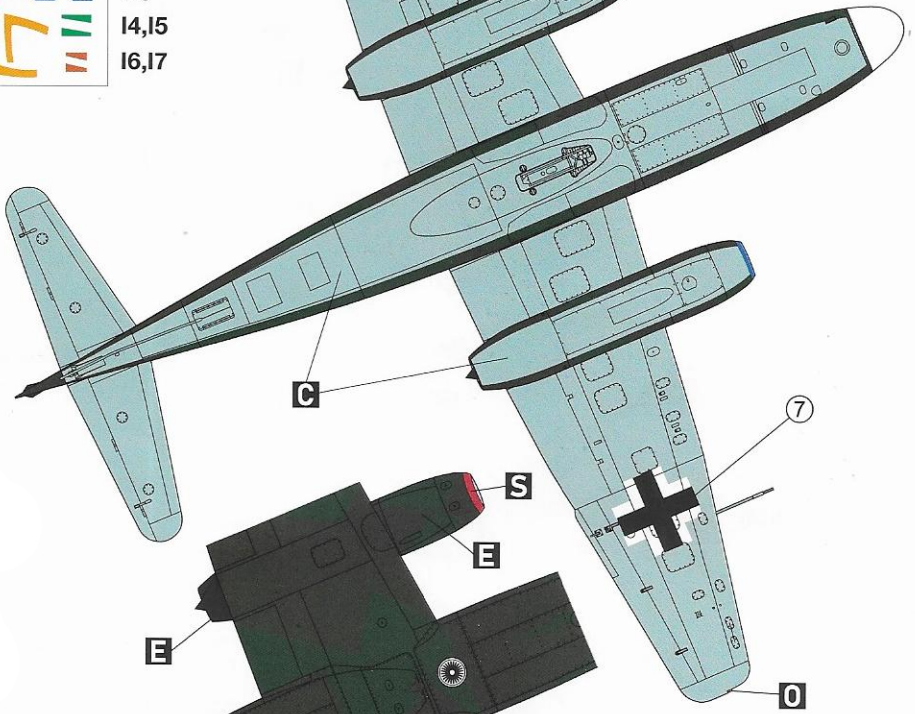
2 Ar 234 B-2, WNr. 140596, F1+HT, flown by Lt. Alfred Frank of 9./KG 76, Stavanger-Sola, Norway, May 1945.

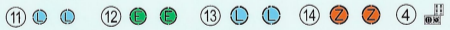




Painting Mask Set

-  A13,A14
-  B15
-  H3
-  I4,I5
-  I6,I7





13
13



140 600
140 600

F1
F1



A A
A A



140 596



H



H T H T

72040 1/72 ARADO Ar 234 B-2 End of War
Printed by Cartograf ©2020 Hobby2000