



PANTHER Ausf.G

with Full Interior &
Workable Track Links
& Cut Away Parts of
Turret & Hull

GERMAN MEDIUM TANK Sd.Kfz. 171

德国中型坦克Sd.Kfz.171“黑豹”G型(含全内构及剖切展示壳体部件)
インテリアパーツ、可動式履帯、カットモデル用砲塔と車体パーツ付き

ASSEMBLY ICONS



OPTIONAL
选择



CEMENT
膠水



DO NOT CEMENT
不使用膠水



INSTANT CEMENT
瞬間接著劑



BEND
彎折



MAKE 2
製作2組



OPEN HOLE
鑽孔



REMOVE
切除



BE CAREFUL
注意



APPLY DECAL
貼上水貼紙

CAUTION!

Read carefully and fully understand the instructions before commencing assembly.
Supervising adult should also read the instructions if a child assembles the model.
When you used glue or paint, do not use near a naked flame, and use in a well-ventilated room.
When assembling this kit, tools including knives are used. Extra care should be taken to avoid personal injury.
Read and follow the instructions supplied with paints and/ or cement. Use plastic cement and paints only.
Keep out of reach of small children. Children must not be allowed to suck any part, or pull vinyl bag over the head.

在裝配前仔細閱讀說明並完全理解。小孩裝配時需成人看護且需仔細閱讀說明。
使用膠水和油漆時，應遠離火源並打開窗戶保持空氣流通。
製作時請格外注意工具刀和零件的鋒利尖銳部分，避免對身體造成傷害。
在使用膠水和油漆前仔細閱讀注意事項，按照說明正確使用膠水和油漆。
請將本品放在兒童接觸不到的地方，套件中的塑膠包裝袋會對兒童造成窒息的危險。

RFM

RYEFIELD MODEL®

www.migjimenez.com



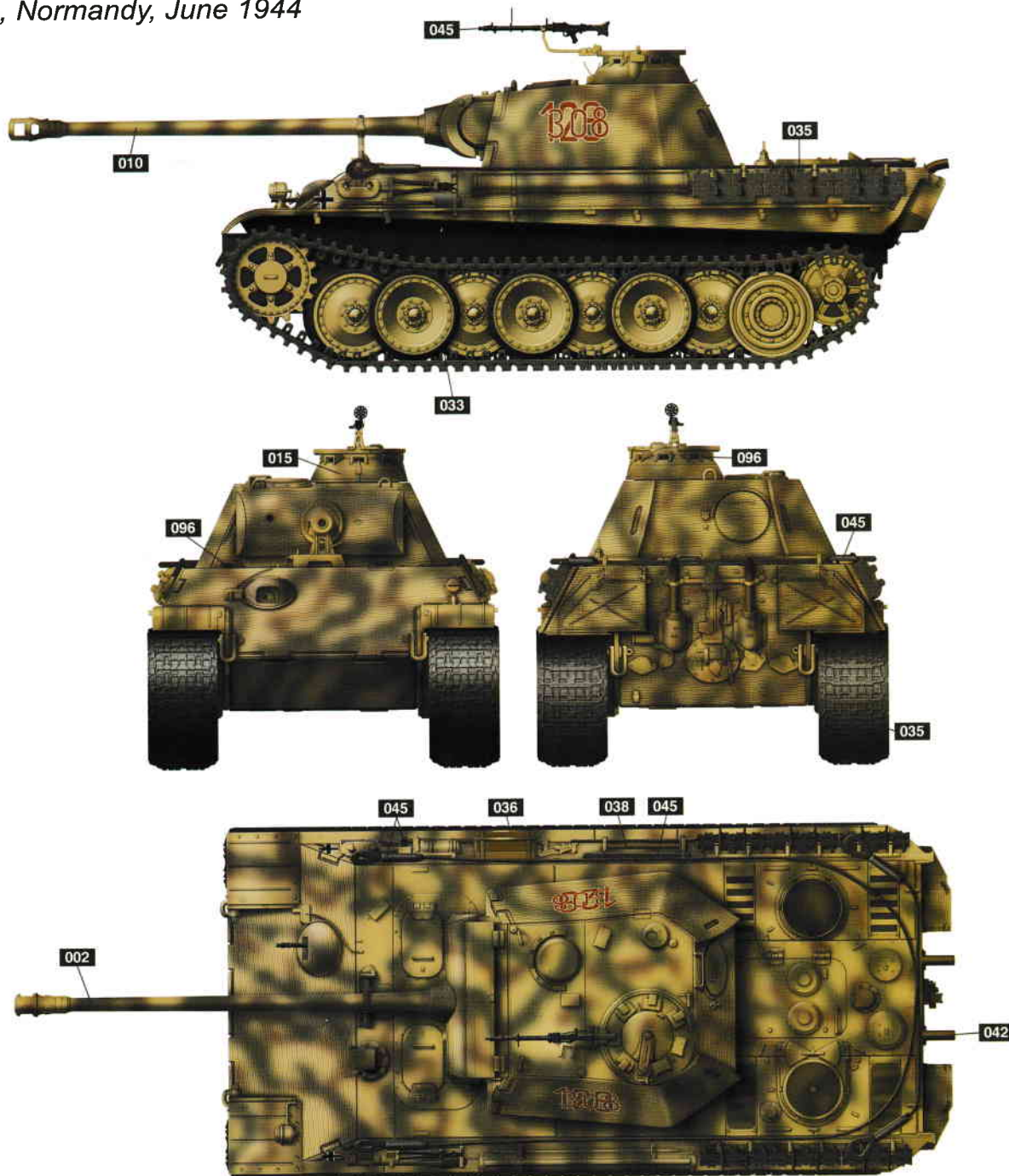
PANTHER Ausf. G

Included combat damage parts of turret and hull

Painting and Marking Guide

 A.MIG 002 Olivgrün Opt.2	 A.MIG 010 Dunkelgelb Mid War	 A.MIG 015 Schokobraun
 A.MIG 033 Rubber & Tires	 A.MIG 035 Dark Tracks	 A.MIG 036 Old Wood
 A.MIG 038 Light Wood	 A.MIG 042 Old Rust	 A.MIG 045 Gun Metal
 A.MIG 096 Crystal Periscope Green		

Caen, Normandy, June 1944



WEATHERING STEPS WITH AMMO PRODUCTS

- | | | | |
|--|--|---|--|
| 1 GENERAL WASH
A.MIG-1000 Brown Wash for German Yellow | 3 STREAKING
A.MIG-1203 Streaking Grime | 5 TRACK WASH
A.MIG-1002 Tracks Wash | 7 MUD
A.MIG-1754 Damp Earth A.MIG-1705 Wei Mud |
| 2 FILTER
A.MIG-1510 Tan for 3 tone camo | 4 RUST
A.MIG-3510 Rust | 6 DUST
A.MIG-3004 Europe Earth | 8 GREASE & OIL
A.MIG-1408 Fresh Engine Oil |



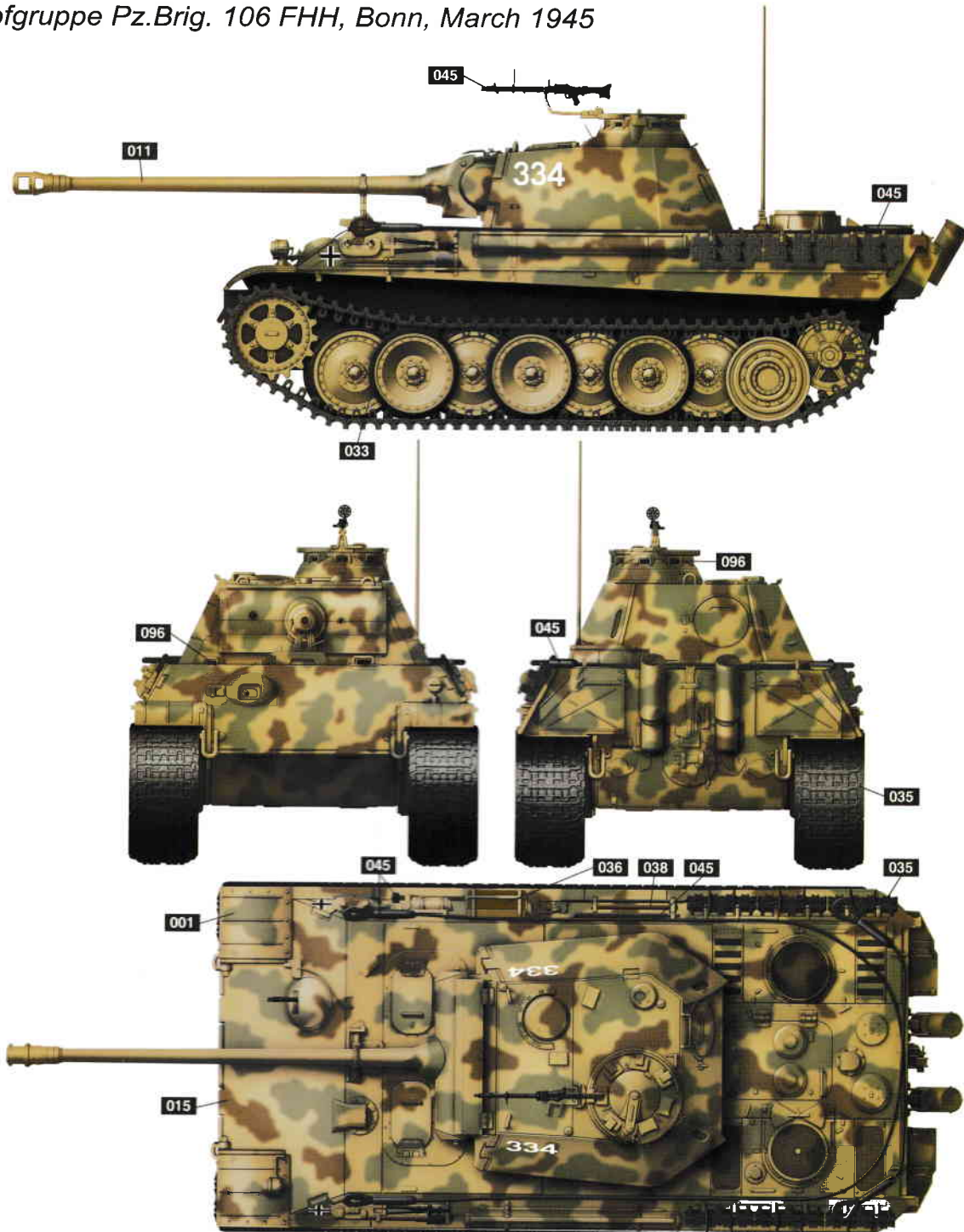
PANTHER Ausf. G

1944 Production or
1945 Production

Painting and Marking Guide

 A.MIG 001 Olivgrün Opt.1	 A.MIG 011 Dunkelgelb AUS '44 DG I	 A.MIG 015 Schokobraun
 A.MIG 033 Rubber & Tires	 A.MIG 035 Dark Tracks	 A.MIG 036 Old Wood
 A.MIG 038 Light Wood	 A.MIG 045 Gun Metal	 A.MIG 096 Crystal Periscope Green

Kampfgruppe Pz.Brig. 106 FHH, Bonn, March 1945



WEATHERING STEPS WITH AMMO PRODUCTS

- | | | | |
|--|--|---|---|
| 1 GENERAL WASH
A.MIG-1000 Brown Wash for German Yellow | 3 STREAKING
A.MIG-1208 Rainmarks Effects | 5 TRACK WASH
A.MIG-1002 Tracks Wash | 7 MUD
A.MIG-1751 Dry Steppe A.MIG-1703 Moist Ground |
| 2 FILTER
A.MIG-1510 Tan for 3 tone camo | 4 CHIPPING
A.MIG-0044 Chipping | 6 DUST
A.MIG-3013 Rubbel | 8 GREASE & OIL
A.MIG-1408 Fresh Engine Oil |

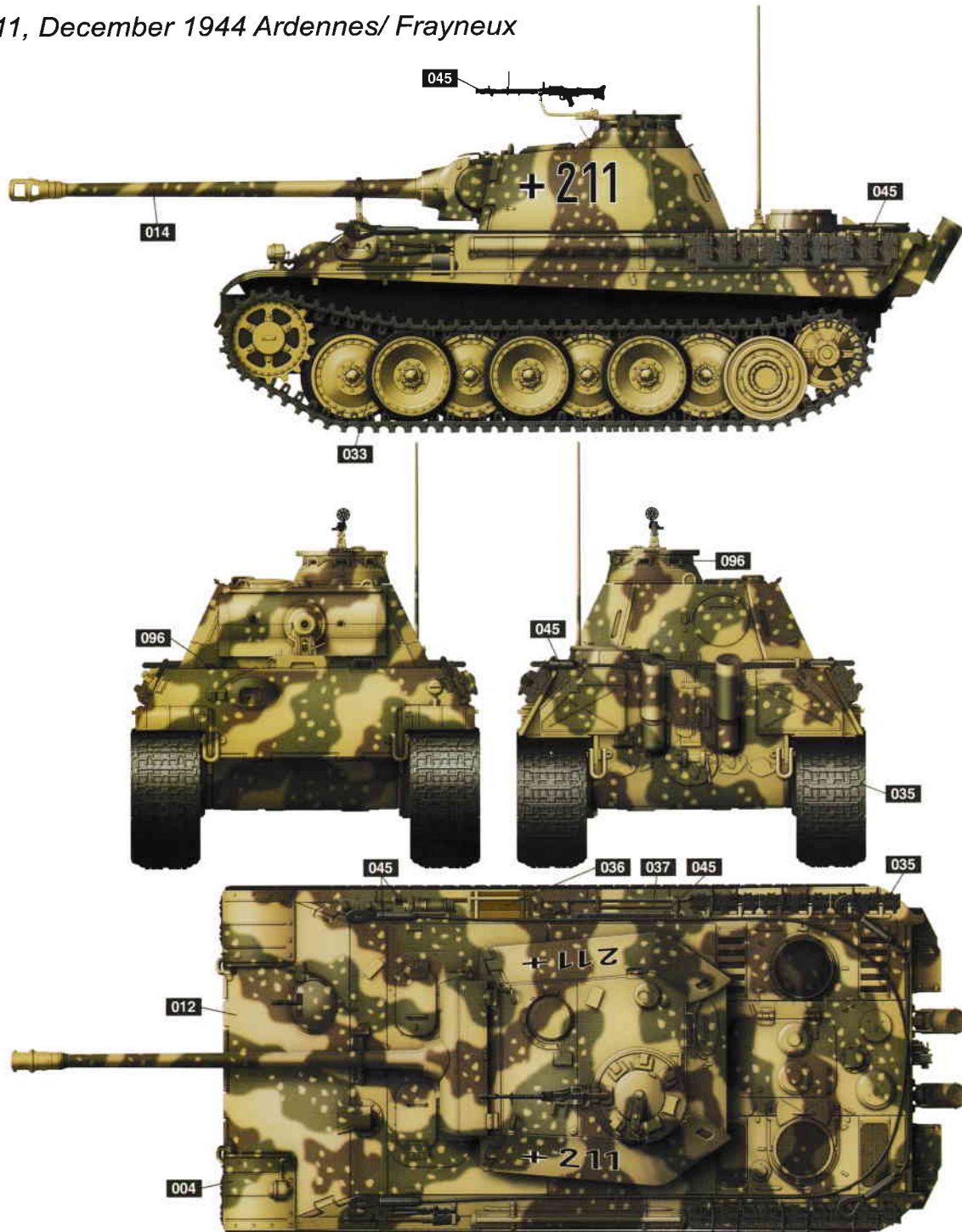


PANTHER Ausf. G 1944 Production or 1945 Production

Painting and Marking Guide

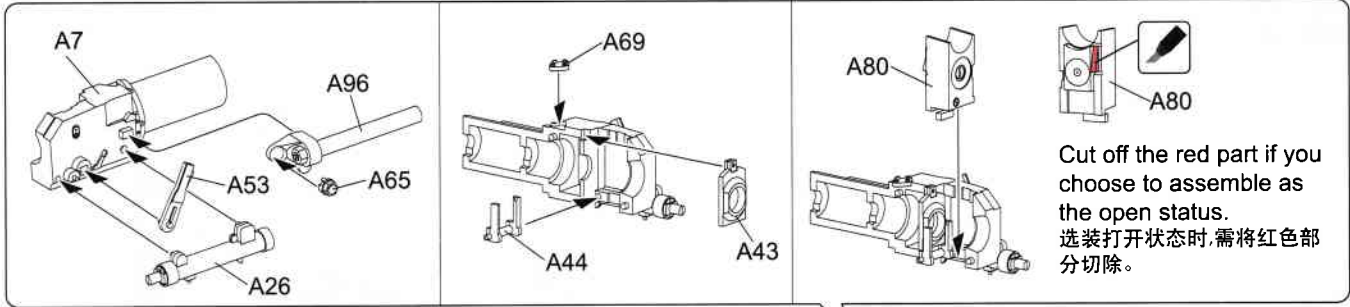
 A.MIG 004 B Resedagrün	 A.MIG 012 Dunkelgelb AUS '44 DG III	 A.MIG 014 Rotbraun
 A.MIG 033 Rubber & Tires	 A.MIG 035 Dark Tracks	 A.MIG 036 Old Wood
 A.MIG 037 New Wood	 A.MIG 045 Gun Metal	 A.MIG 096 Crystal Periscope Green

No.211, December 1944 Ardennes/ Frayneux

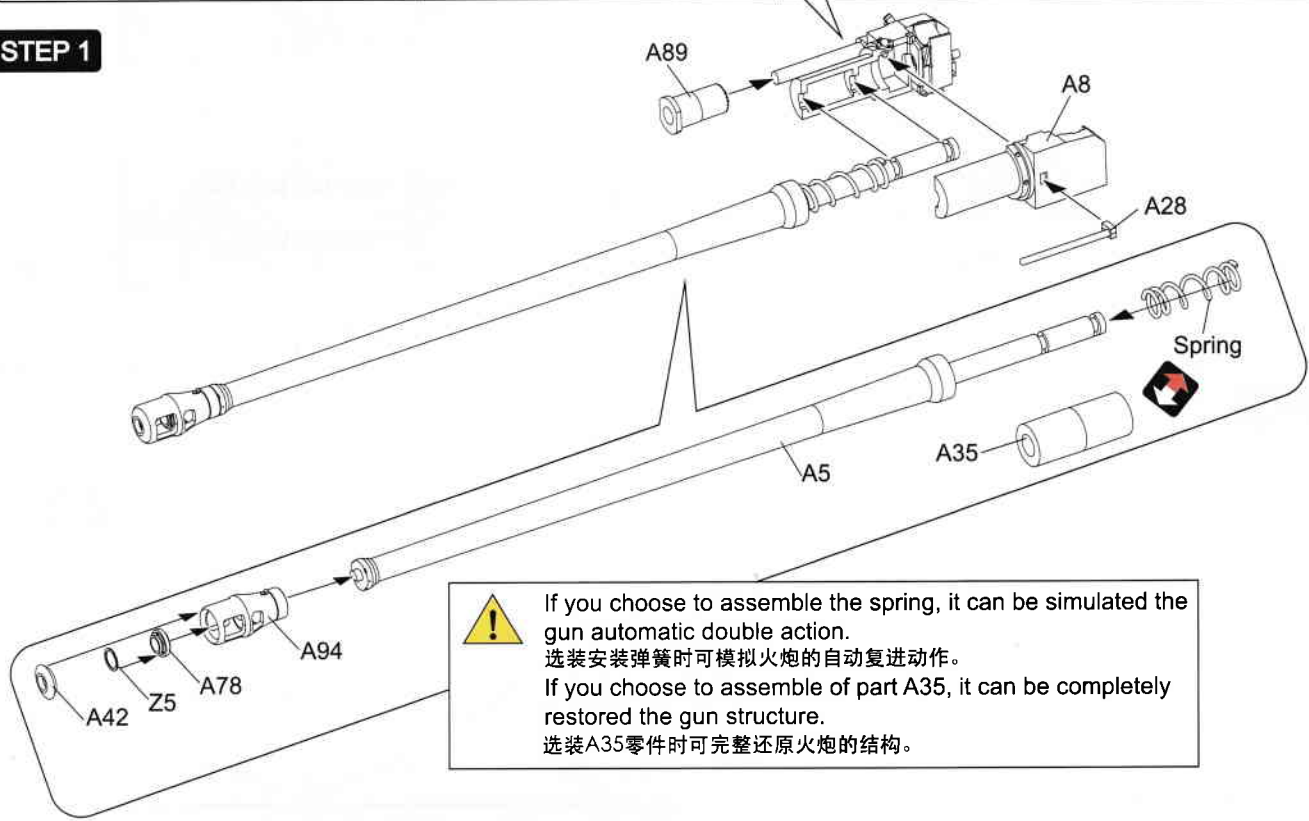


WEATHERING STEPS WITH AMMO PRODUCTS

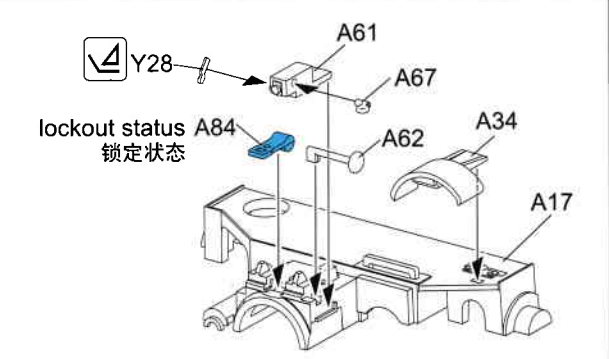
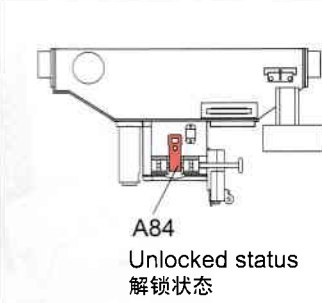
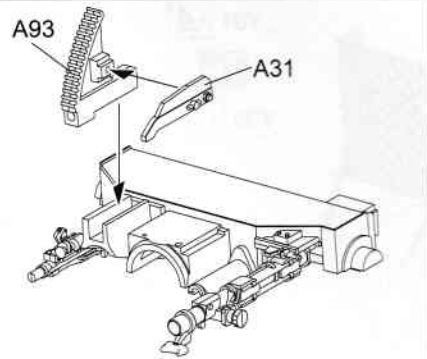
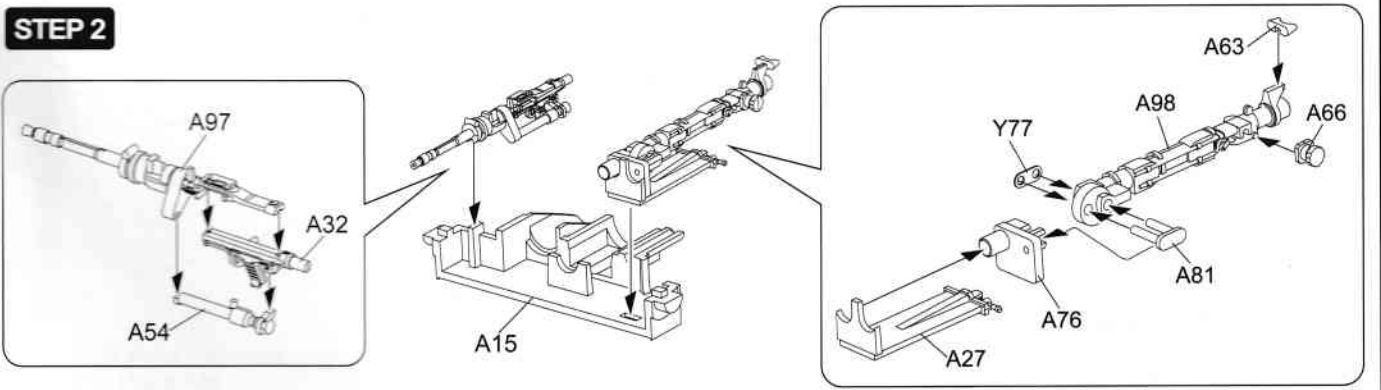
- | | | | |
|---|--|---|--|
| 1 GENERAL WASH
A.MIG-1008 Dark Wash | 3 STREAKING
A.MIG-1203 Streaking Grime | 5 TRACK WASH
A.MIG-1002 Tracks Wash | 7 MUD
A.MIG-1752 Loose Ground A.MIG-1704 Heavy Earth |
| 2 FILTER
A.MIG-1510 Tan for 3 tone camo | 4 RUST
A.MIG-3510 Rust | 6 DUST
A.MIG-3012 Sand | 8 FUEL STAINS
A.MIG-1409 Fuel Stains |



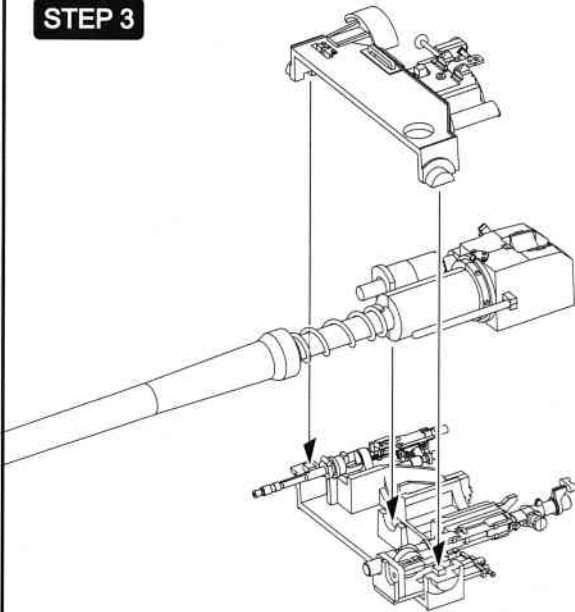
STEP 1



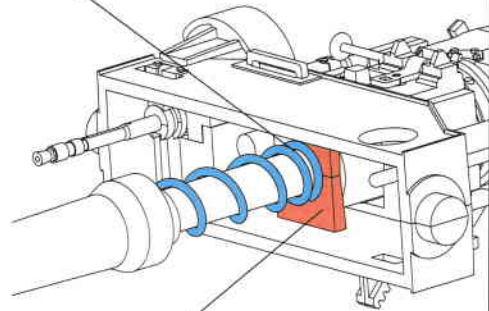
STEP 2



STEP 3

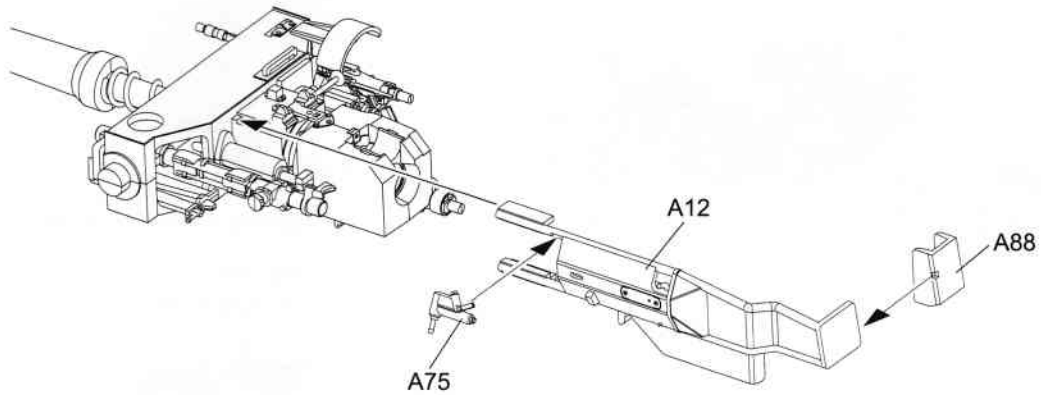


Spring assembly position.
弹簧的安装位置。

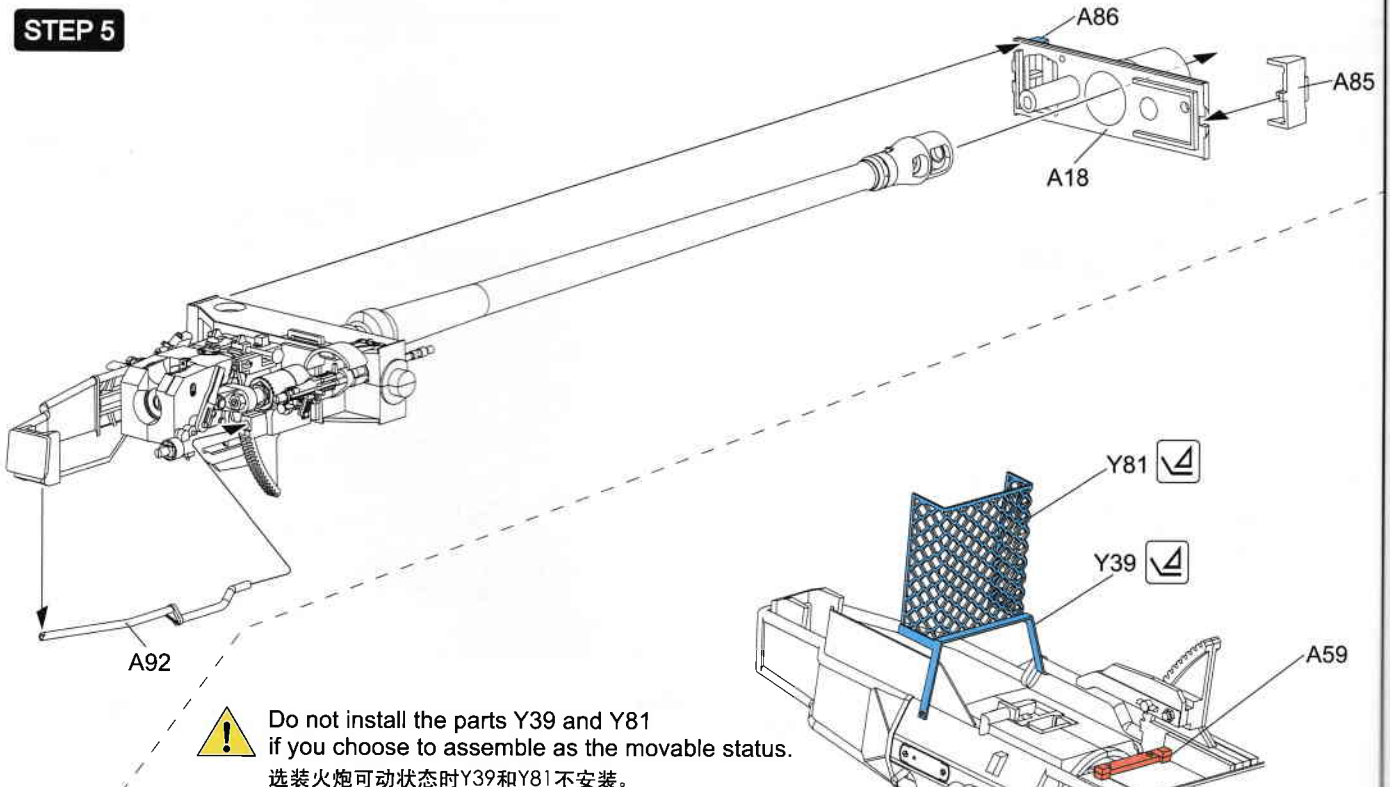


If you choose to assemble part A35,
cut off the red part.
选装A35零件时,需将红色部分切除。

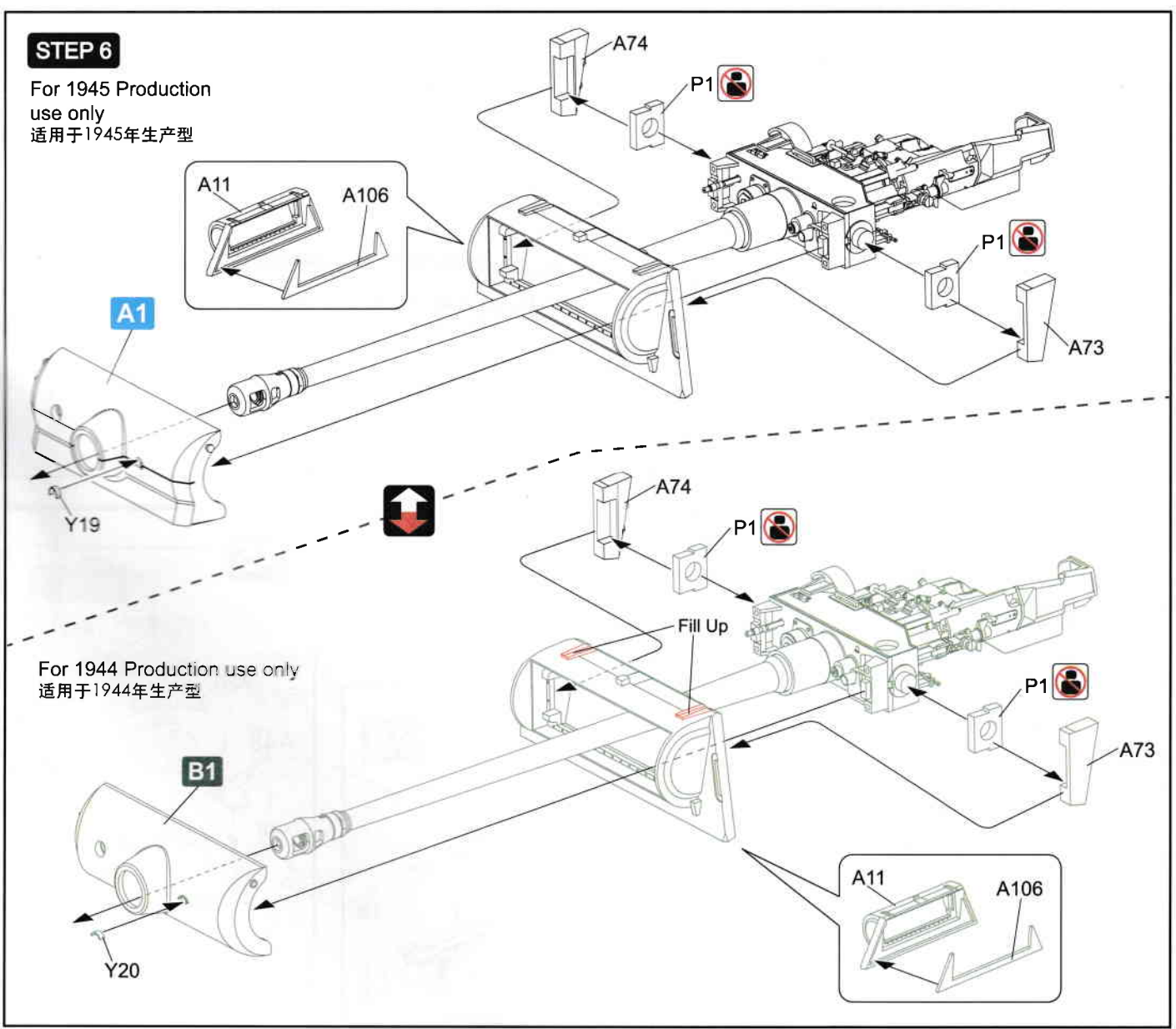
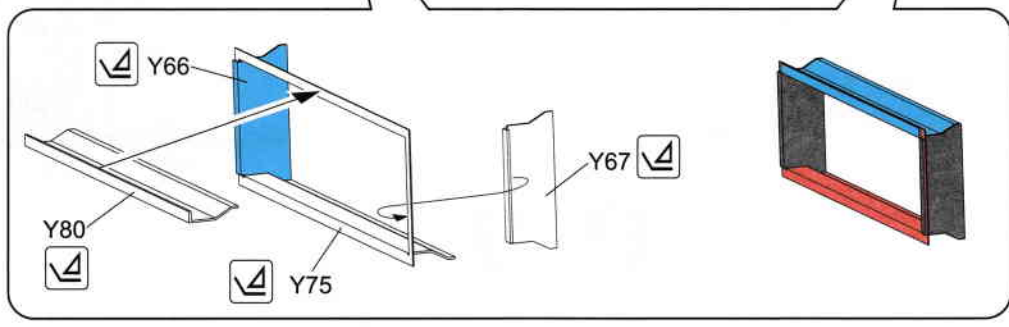
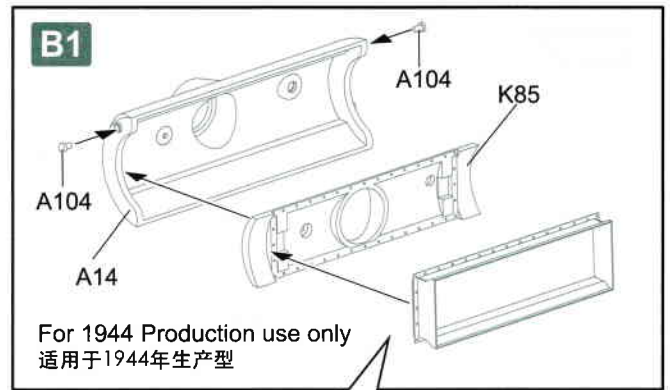
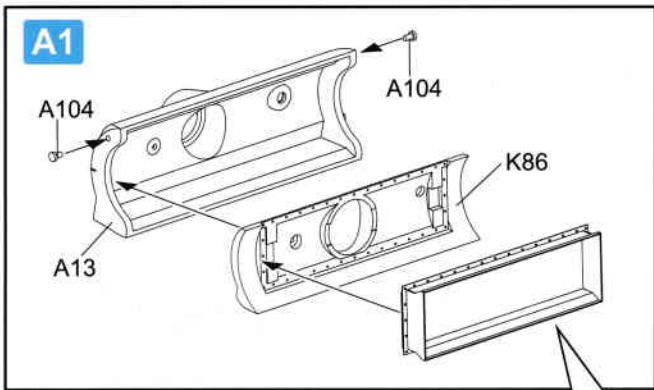
STEP 4



STEP 5

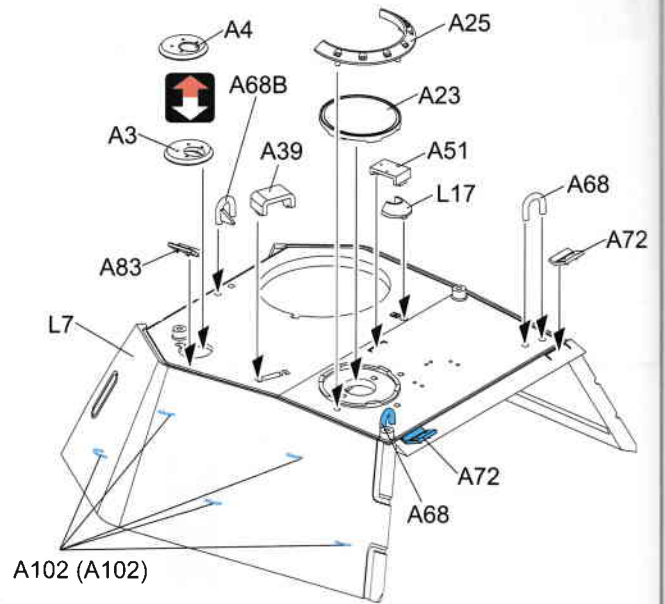
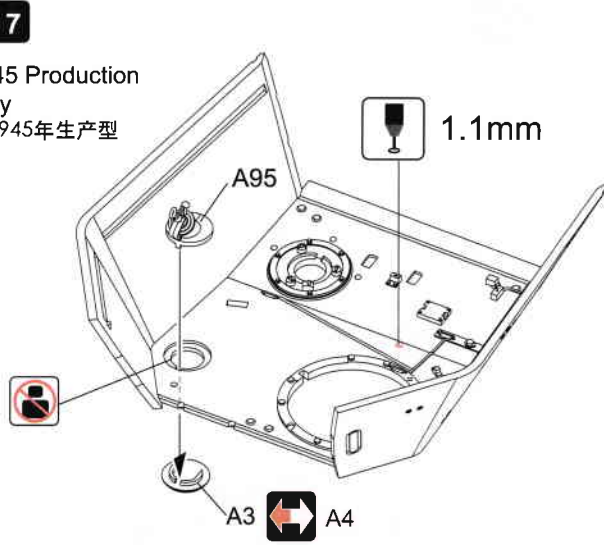


Do not install the parts Y39 and Y81
if you choose to assemble as the movable status.
选装火炮可动状态时Y39和Y81不安装。



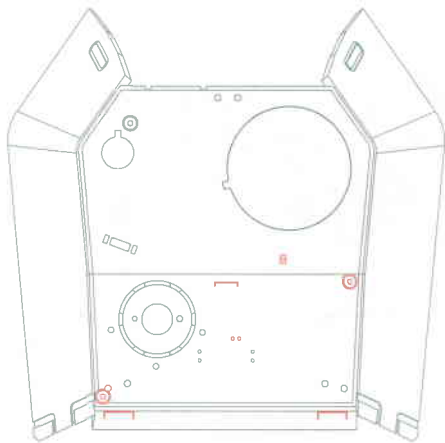
STEP 7

For 1945 Production
use only
适用于1945年生产型

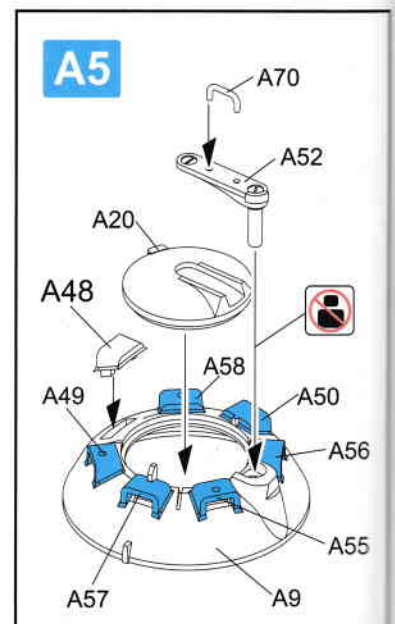
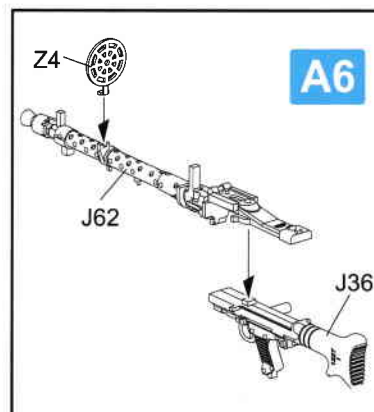
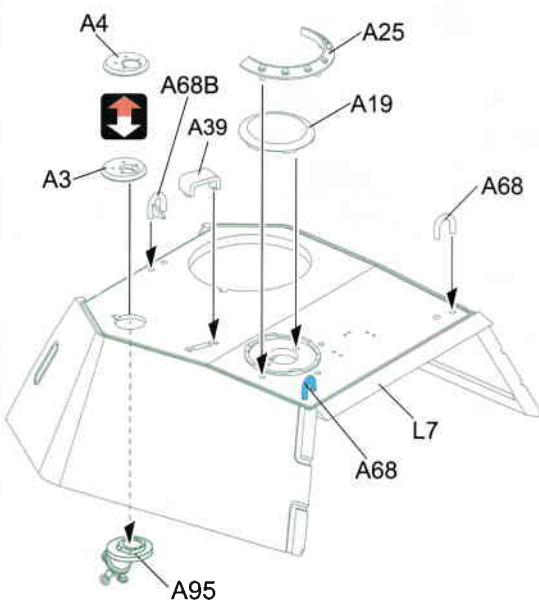
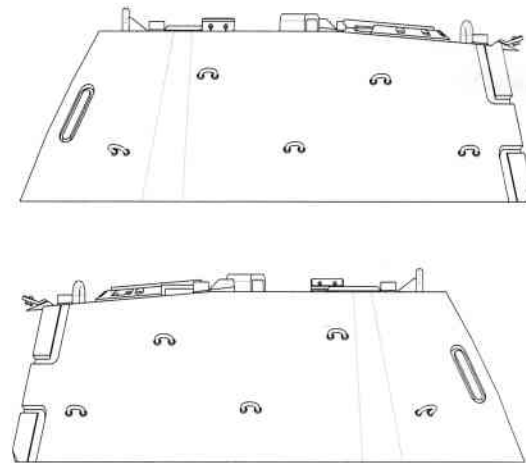


For 1944 Production use only
适用于1944年生产型

The red part needs to be cutted out.
红色部分切除。

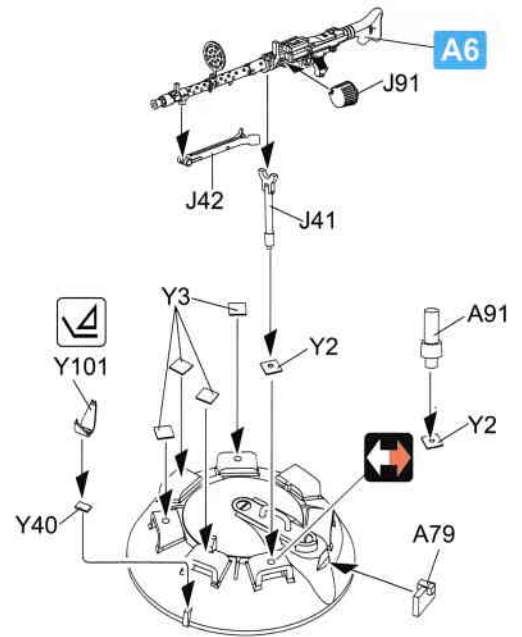
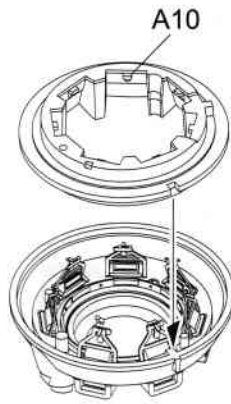
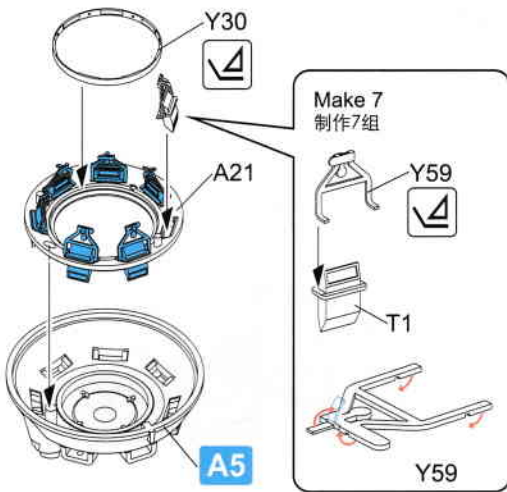


The position map of A102 parts, 1:1 SCALE
零件A102的安装位置图, 比例: 1: 1

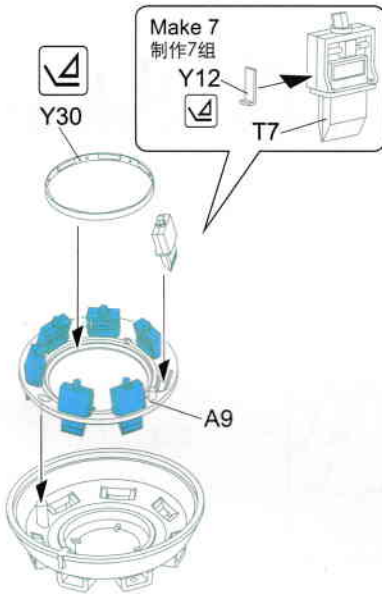


STEP 9

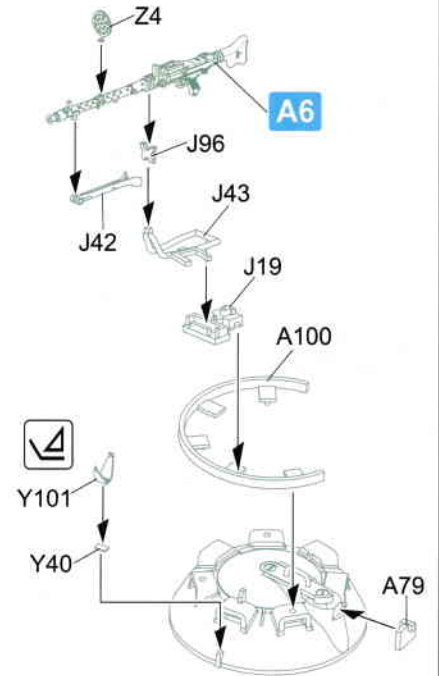
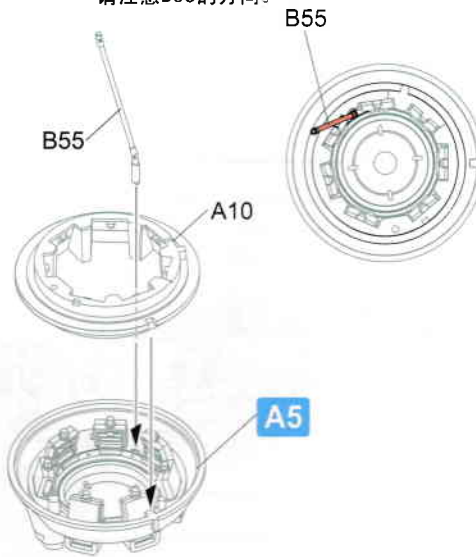
For 1945 Production
use only
适用于1945年生产型



For 1944 Production use only
适用于1944年生产型

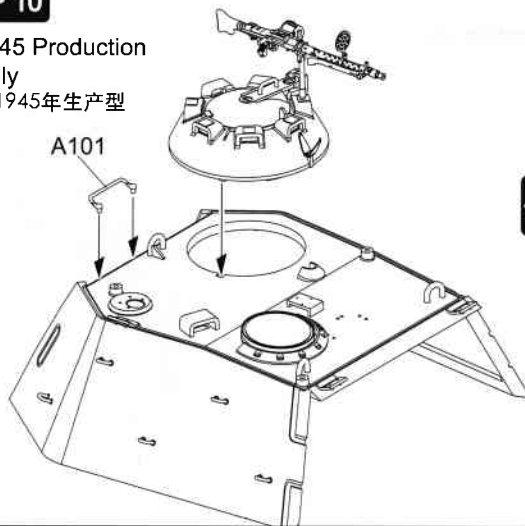


Please note the direction of the B55.
请注意B55的方向。

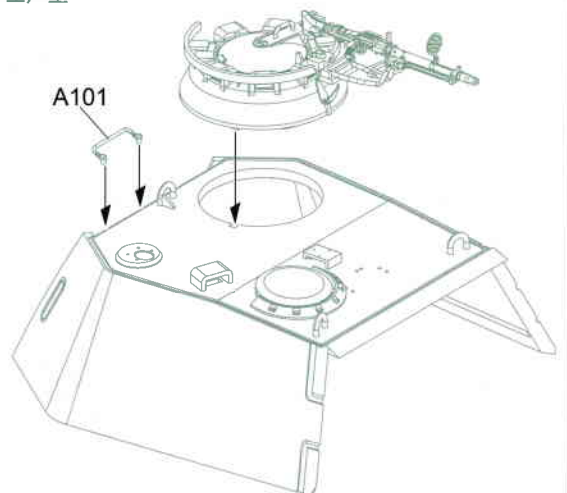


STEP 10

For 1945 Production
use only
适用于1945年生产型

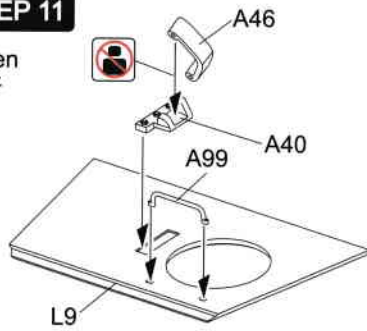


For 1944 Production use only
适用于1944年生产型

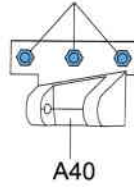


STEP 11

Open
打开

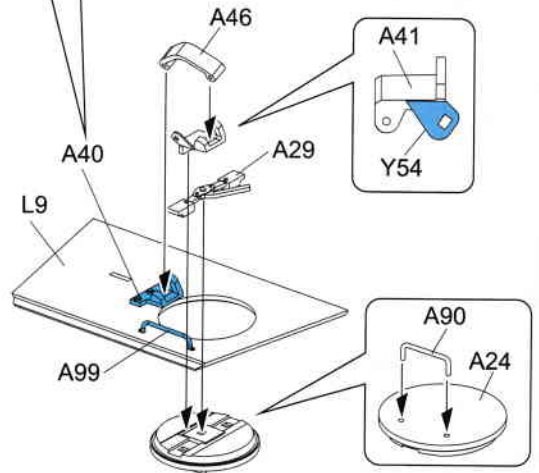
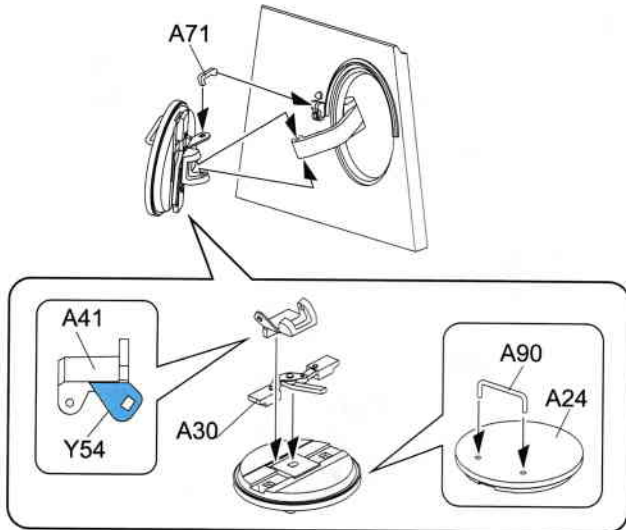
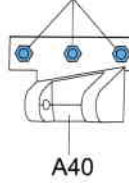


Cut out from the sprue A
从A版胶道上获取

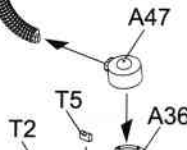
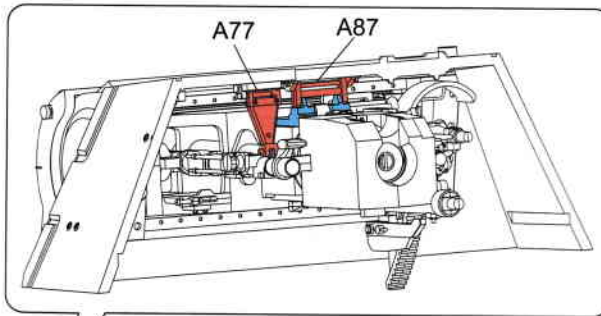


Closed
关闭

Cut out from the sprue A
从A版胶道上获取

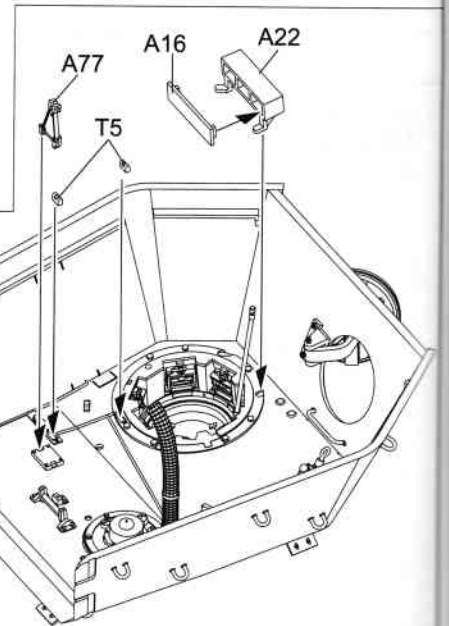


STEP 12



Set up
(The gun can be pitched locking)
立起 (火炮仰俯锁定)

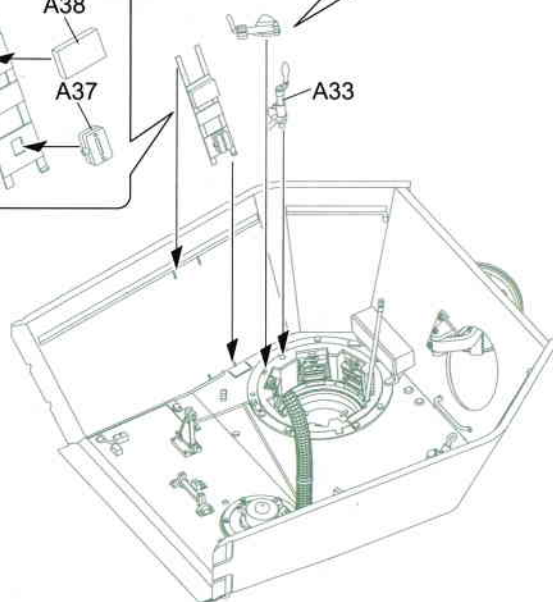
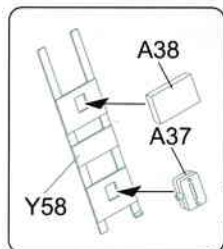
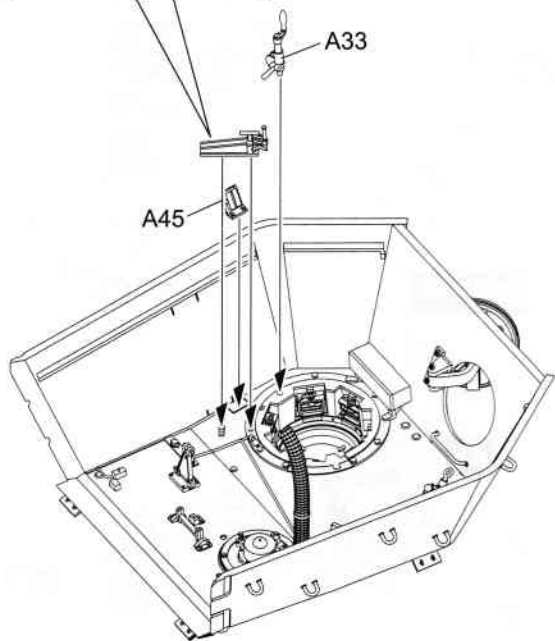
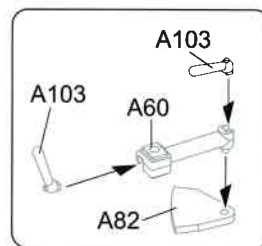
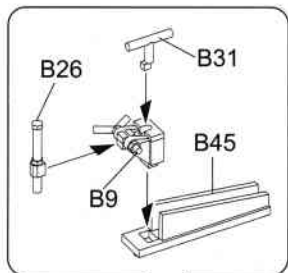
Set down
(The gun can be pitched unlock)
放倒 (火炮仰俯解锁)



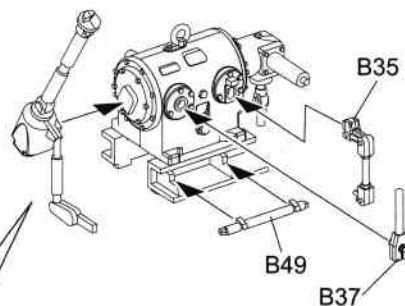
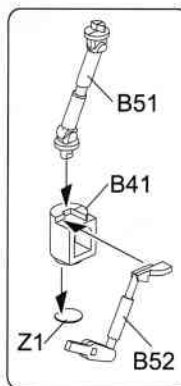
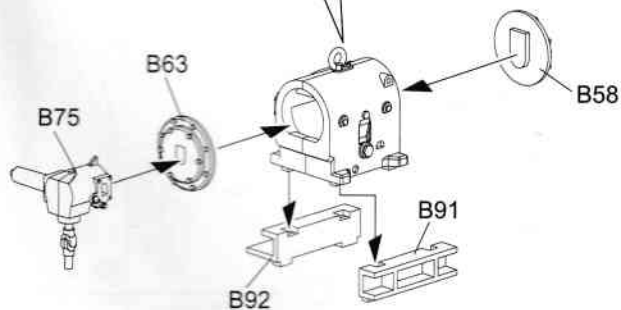
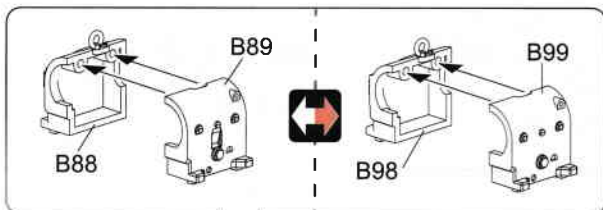
STEP 13

For 1945 Production
use only
适用于1945年生产型

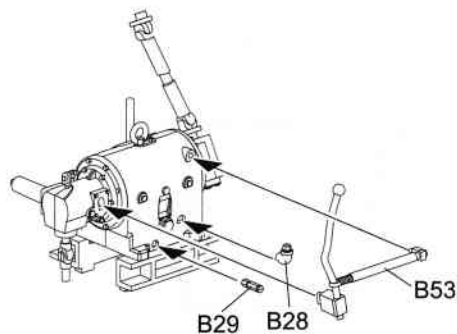
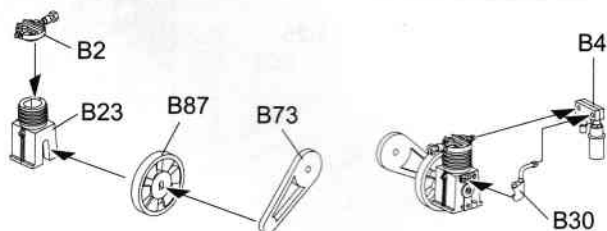
For 1944 Production use only
适用于1944年生产型

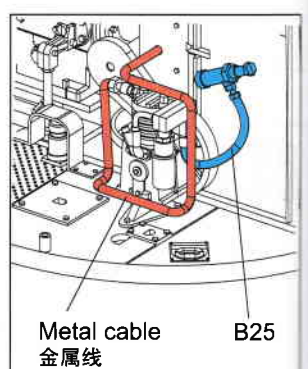
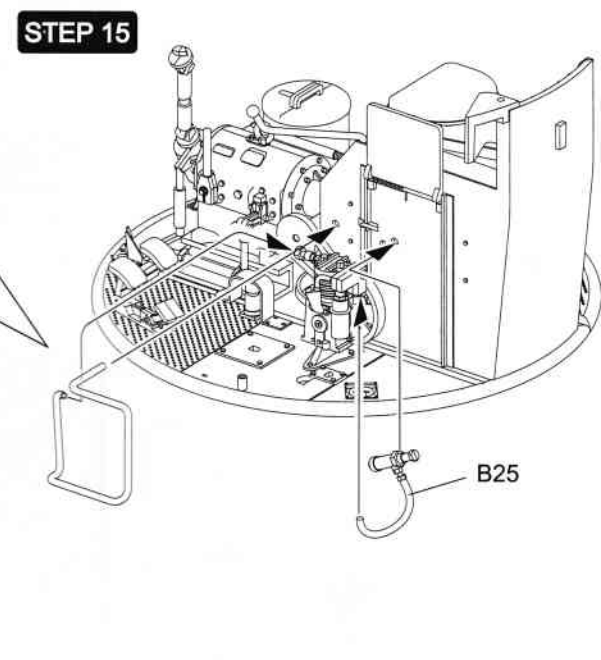
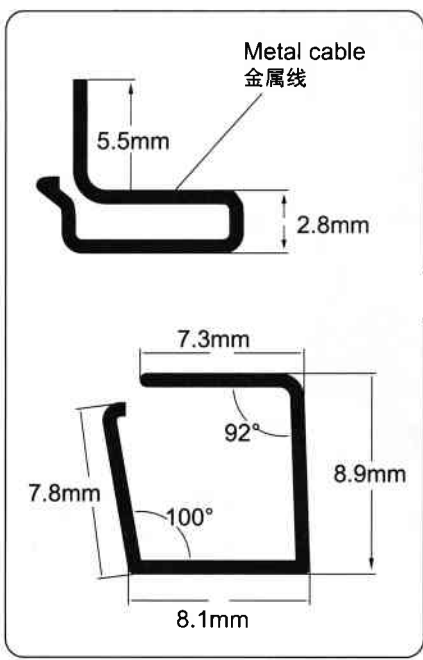
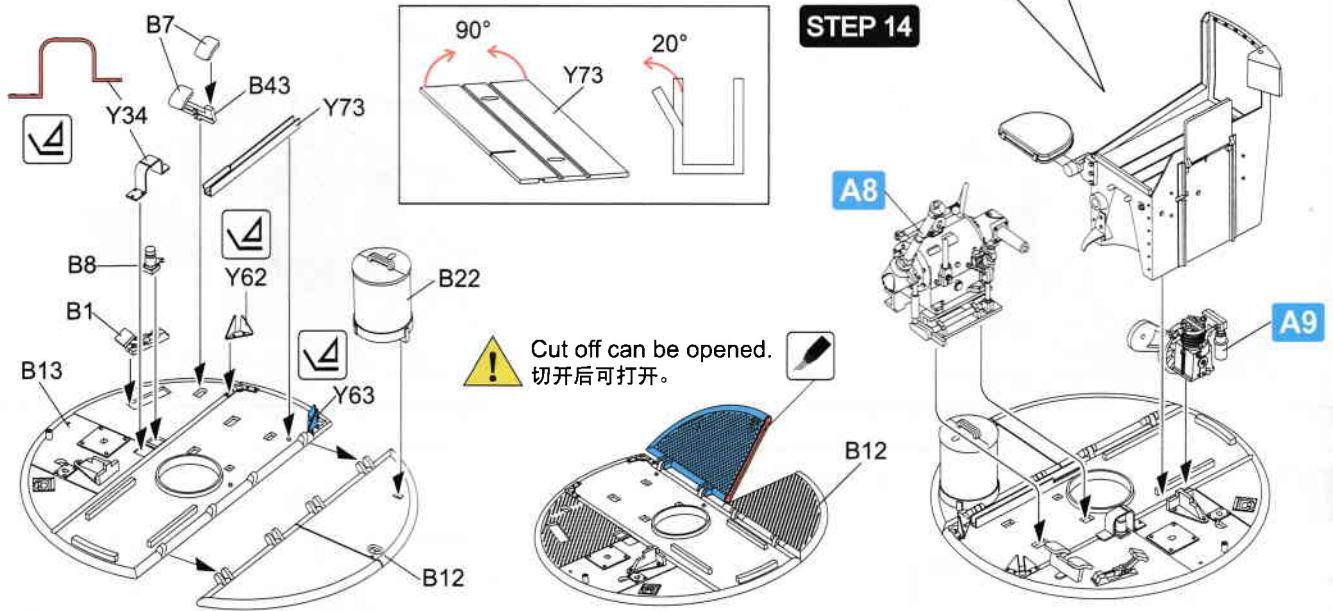
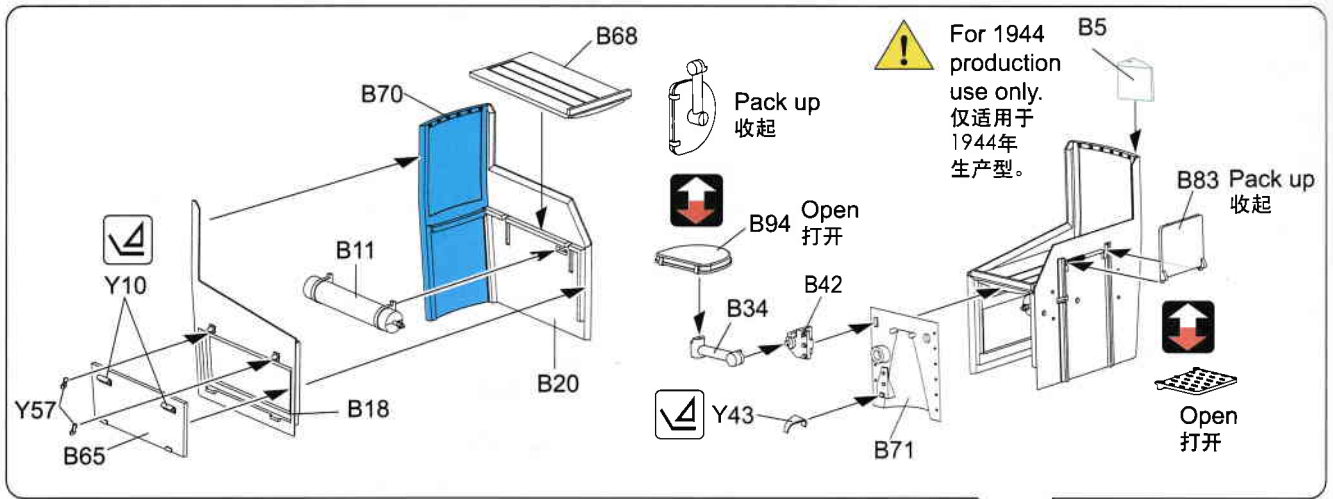


A8

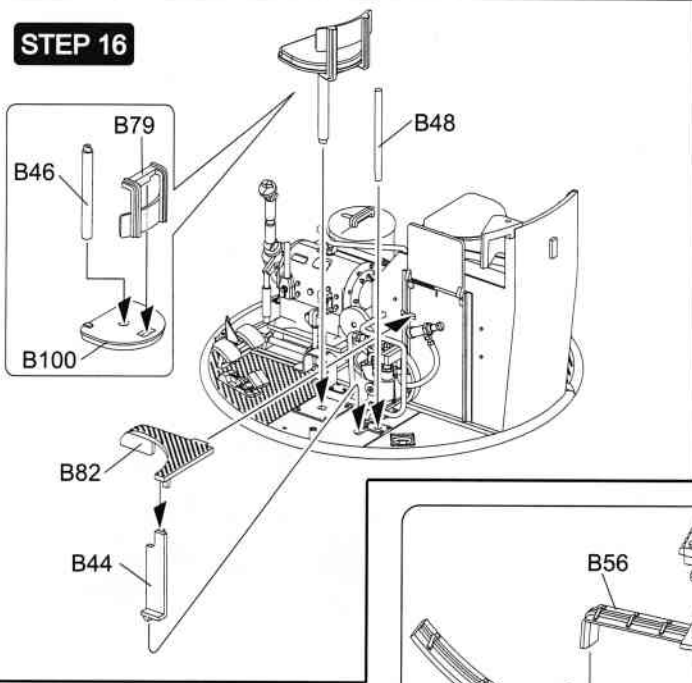


A9

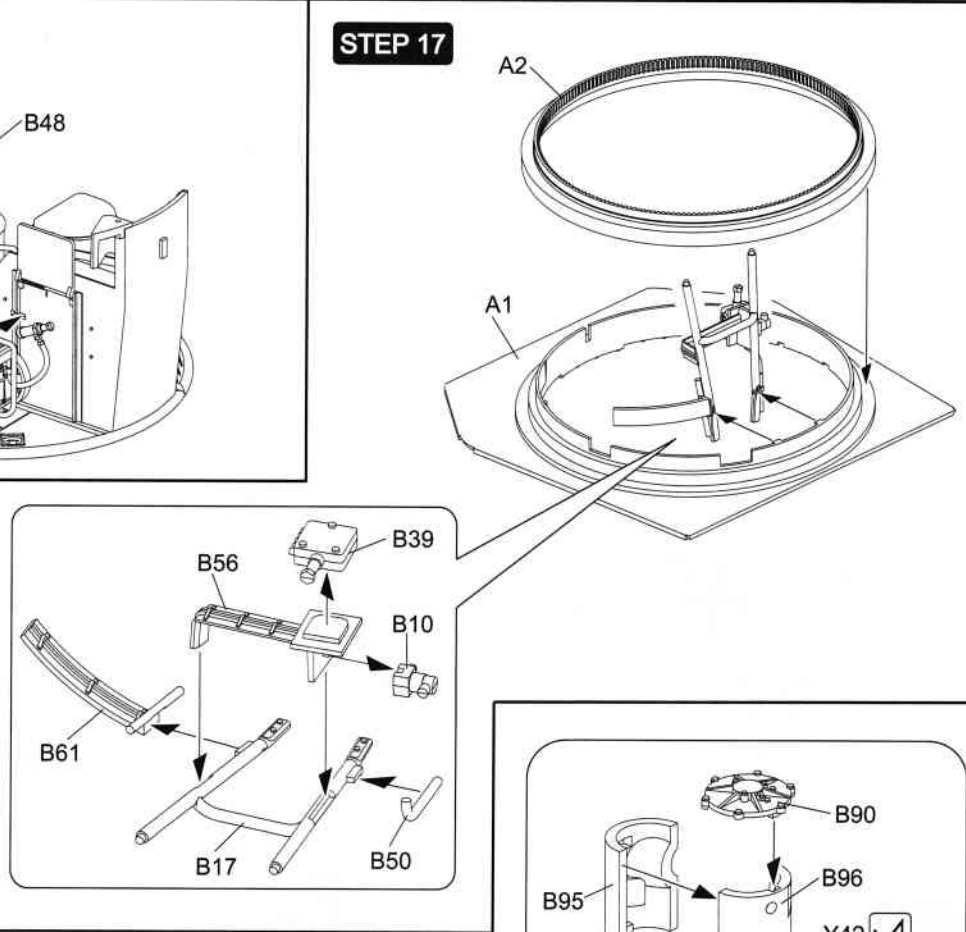




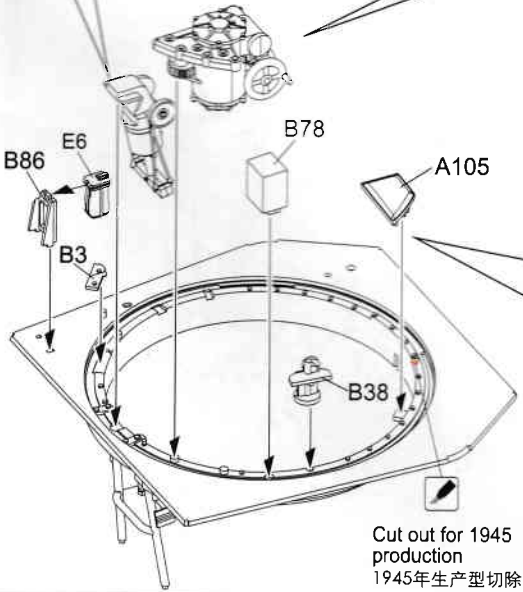
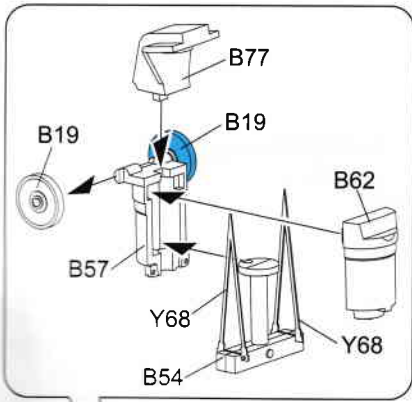
STEP 16



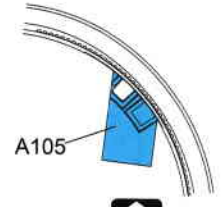
STEP 17



STEP 18



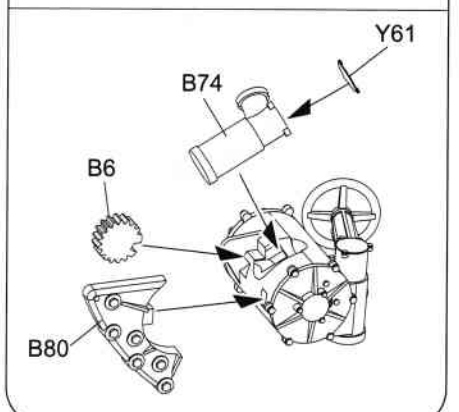
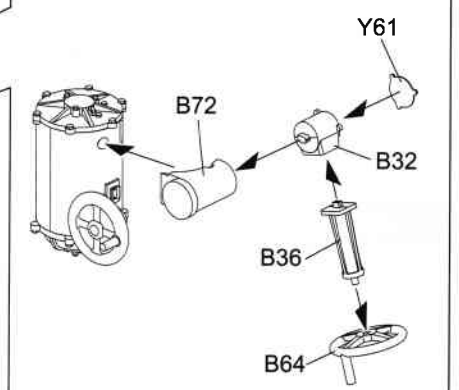
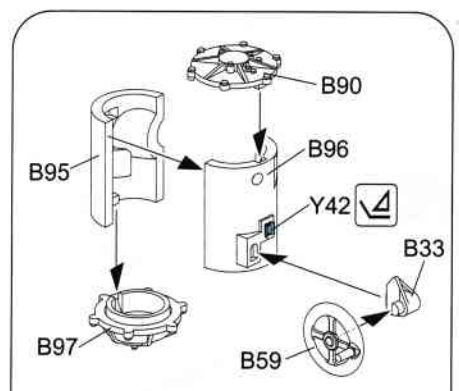
For 1945 production use only
适用于1945年生产型

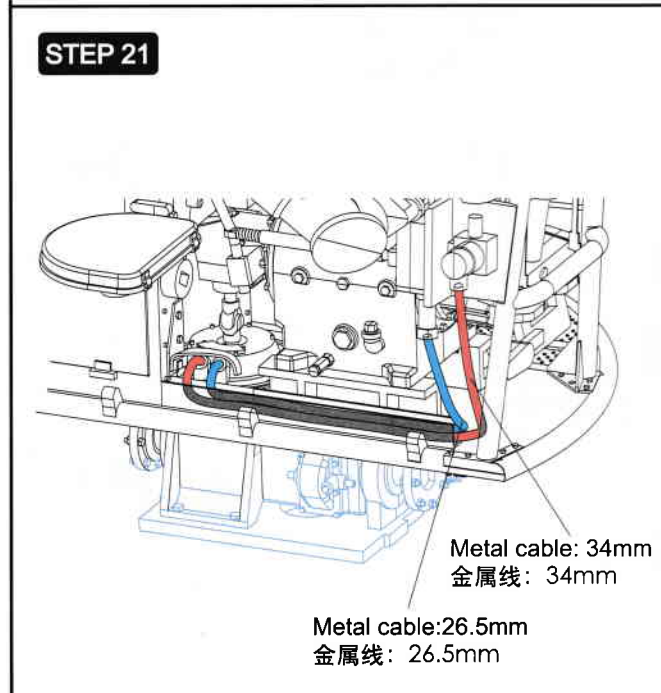
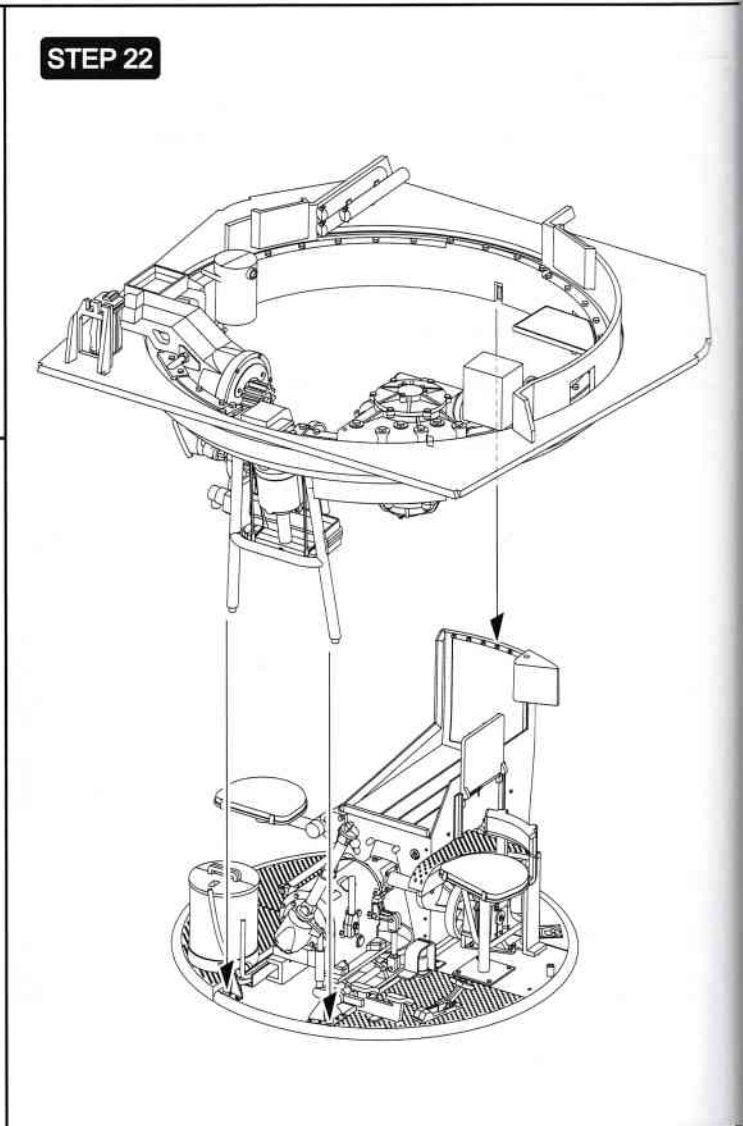
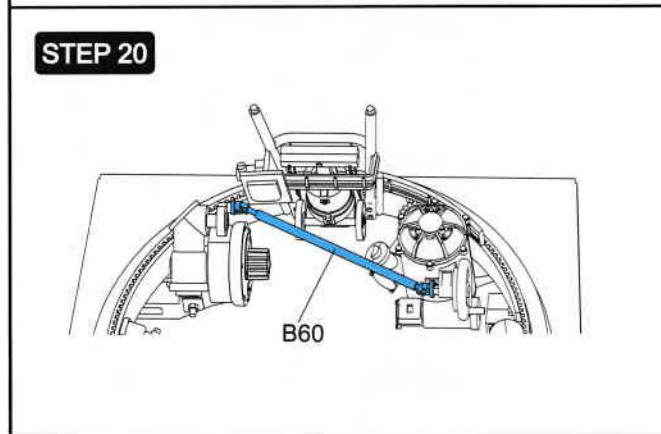
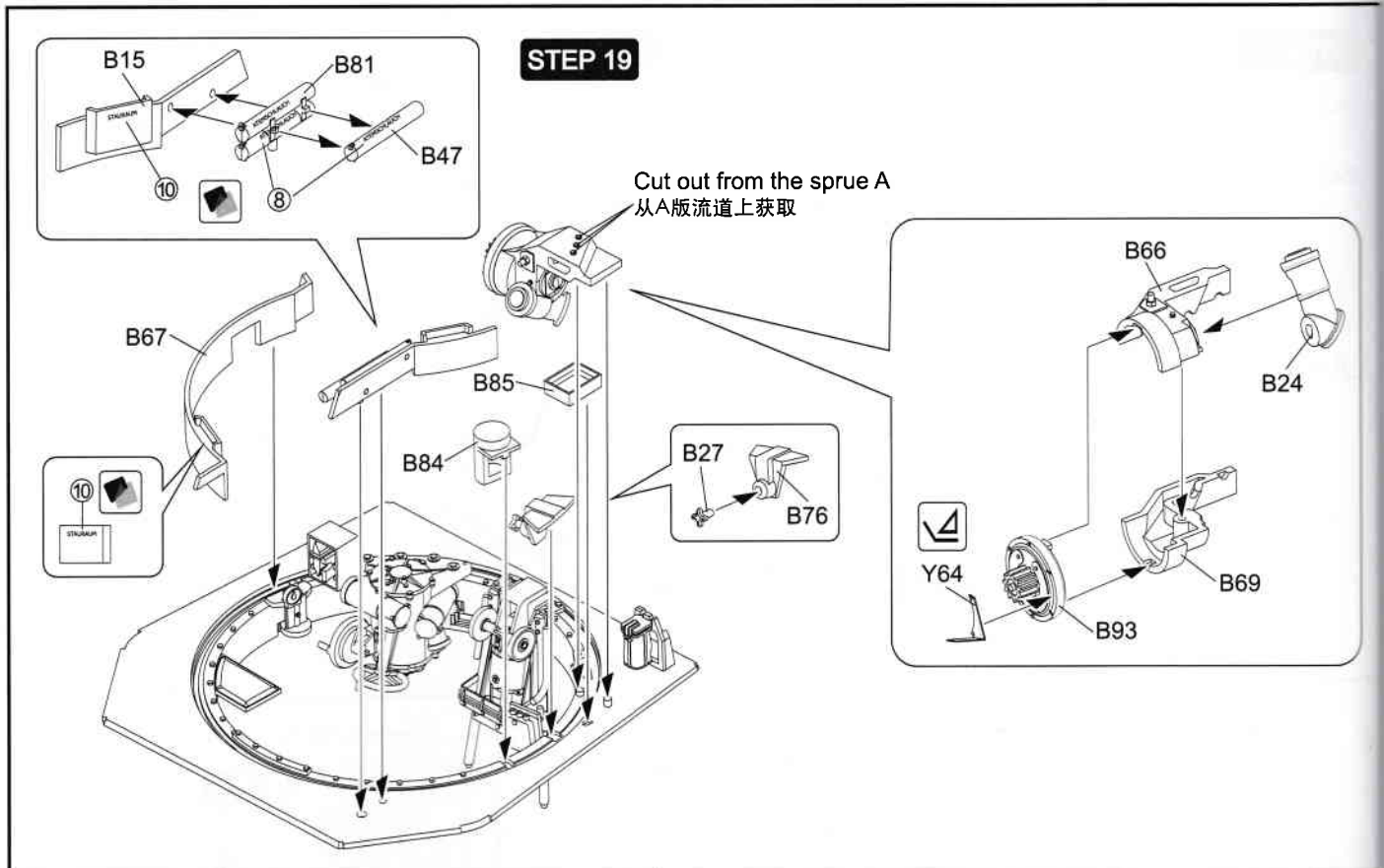


For 1944 production use only
适用于1944年生产型

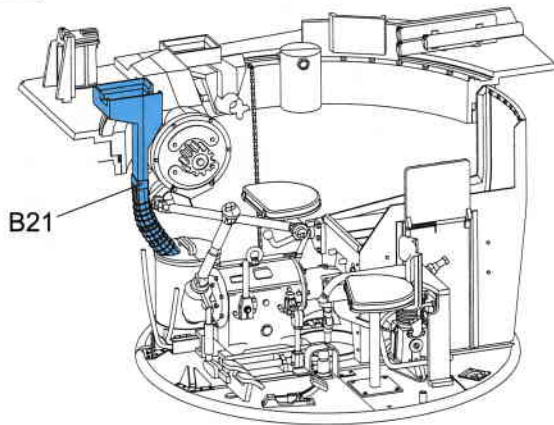


Cut out for 1945 production
1945年生产型切除

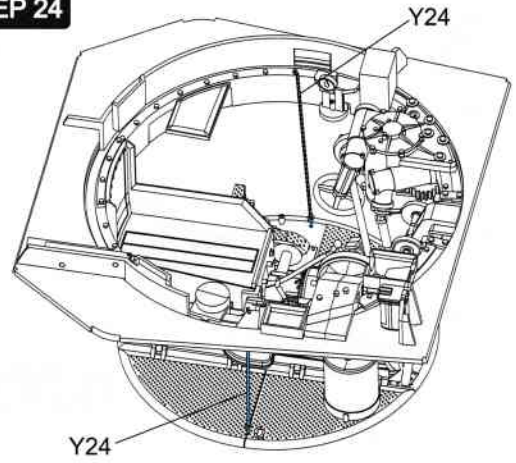




STEP 23



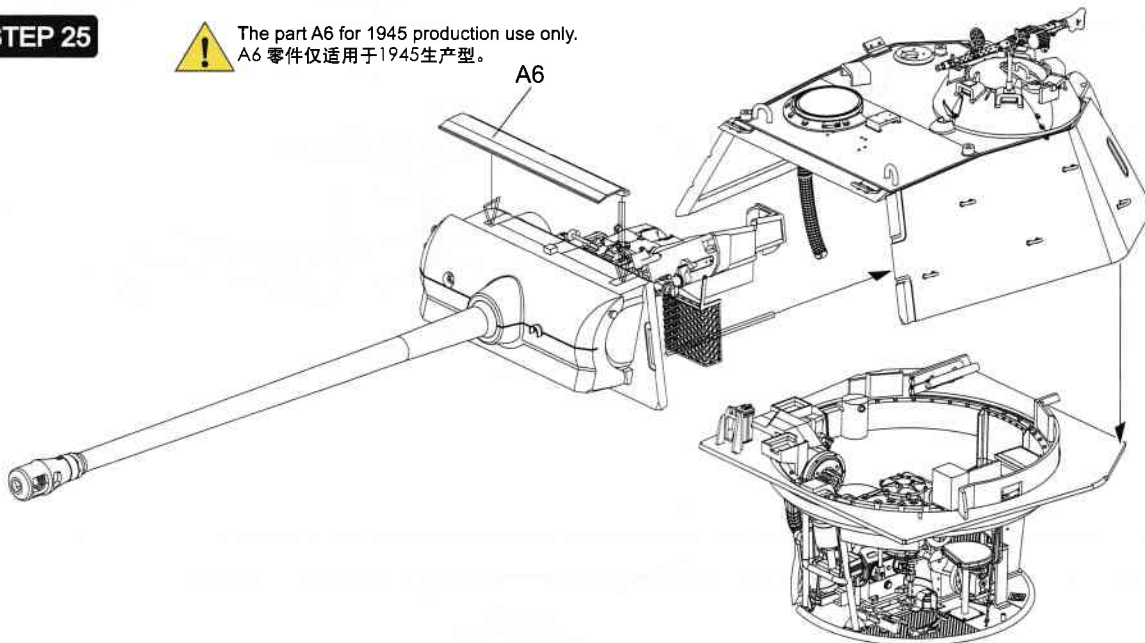
STEP 24



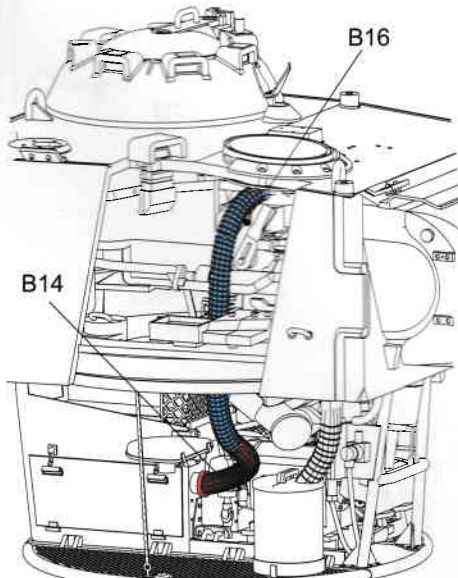
STEP 25



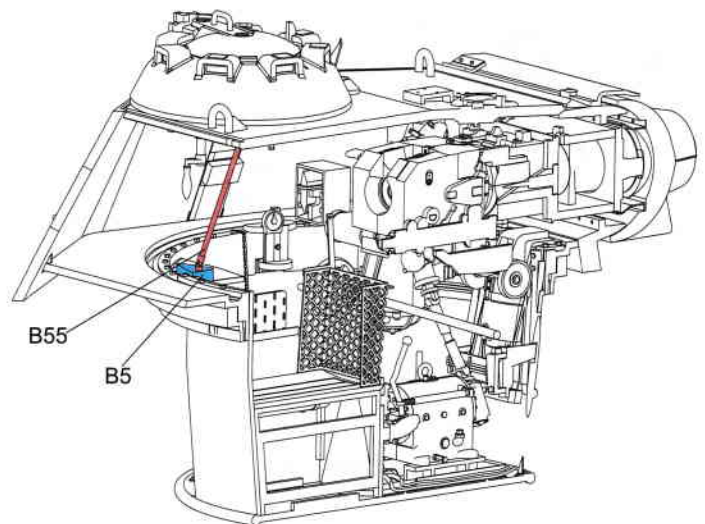
The part A6 for 1945 production use only.
A6 零件仅适用于1945生产型。

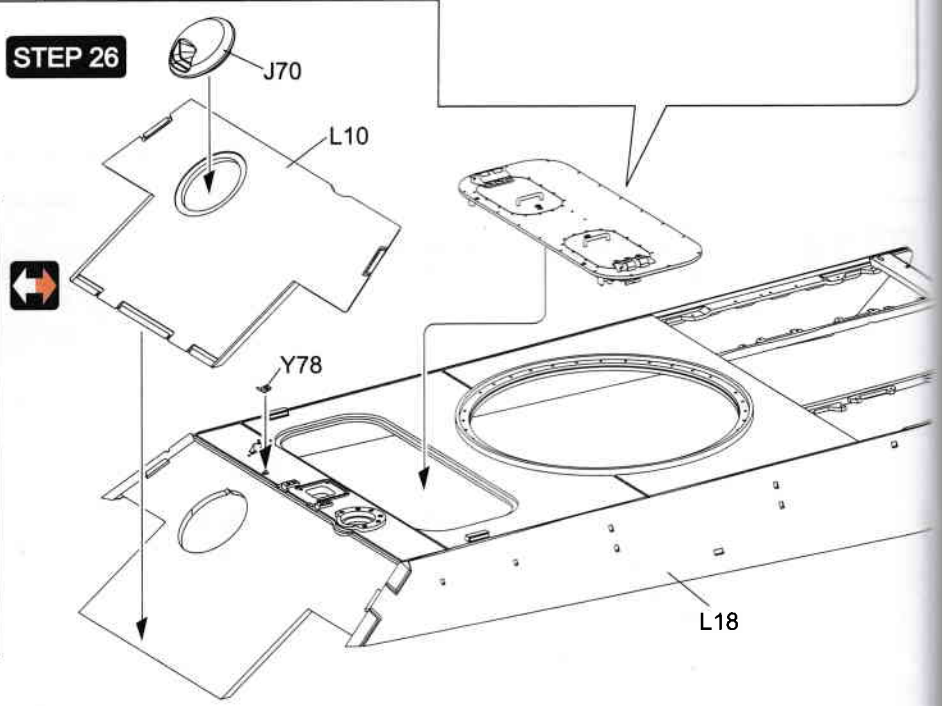
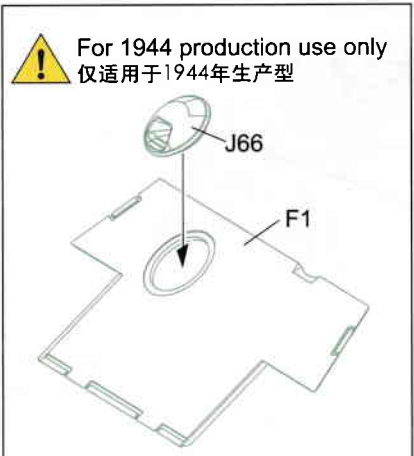
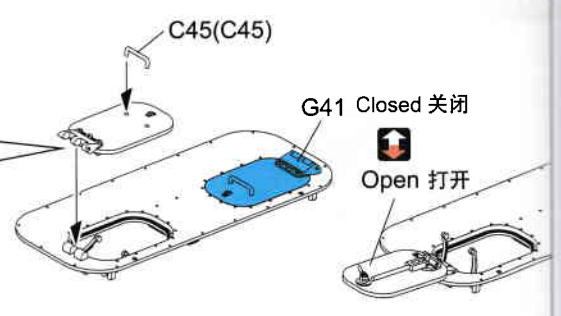
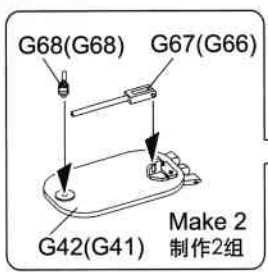
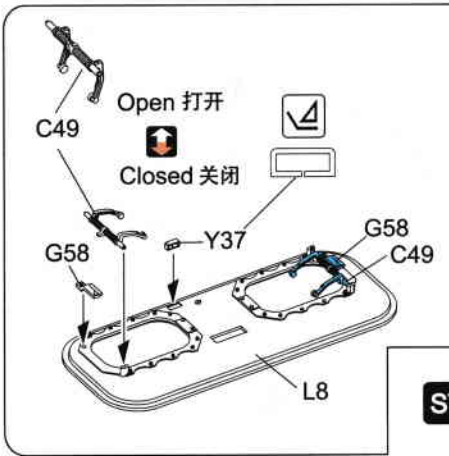


The positional relationship between parts B14 and B16.
B14和B16的位置关系。

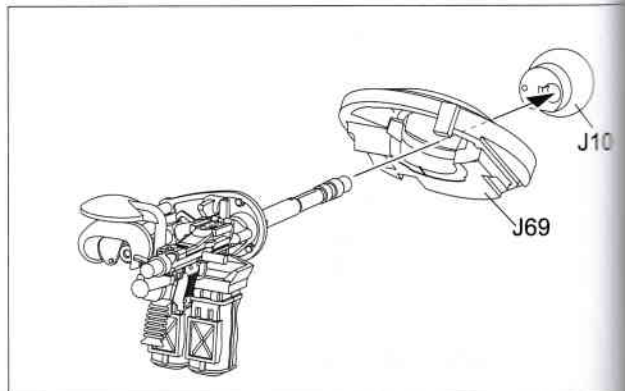
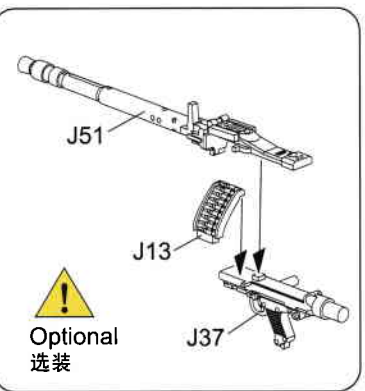
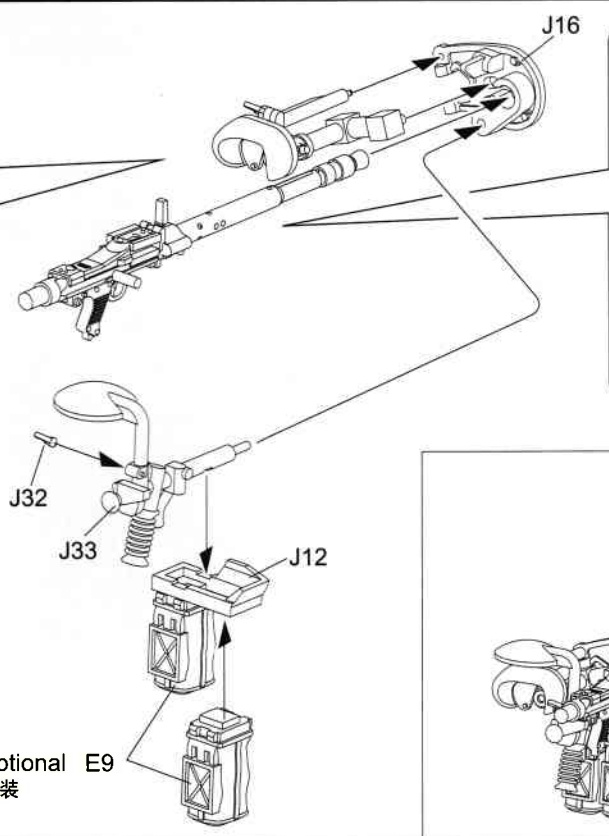
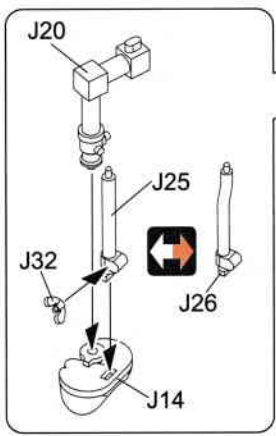


The positional relationship between parts B5 and B55.
B5和B55的位置关系。
For 1944 production use only.
适用于1944生产型。

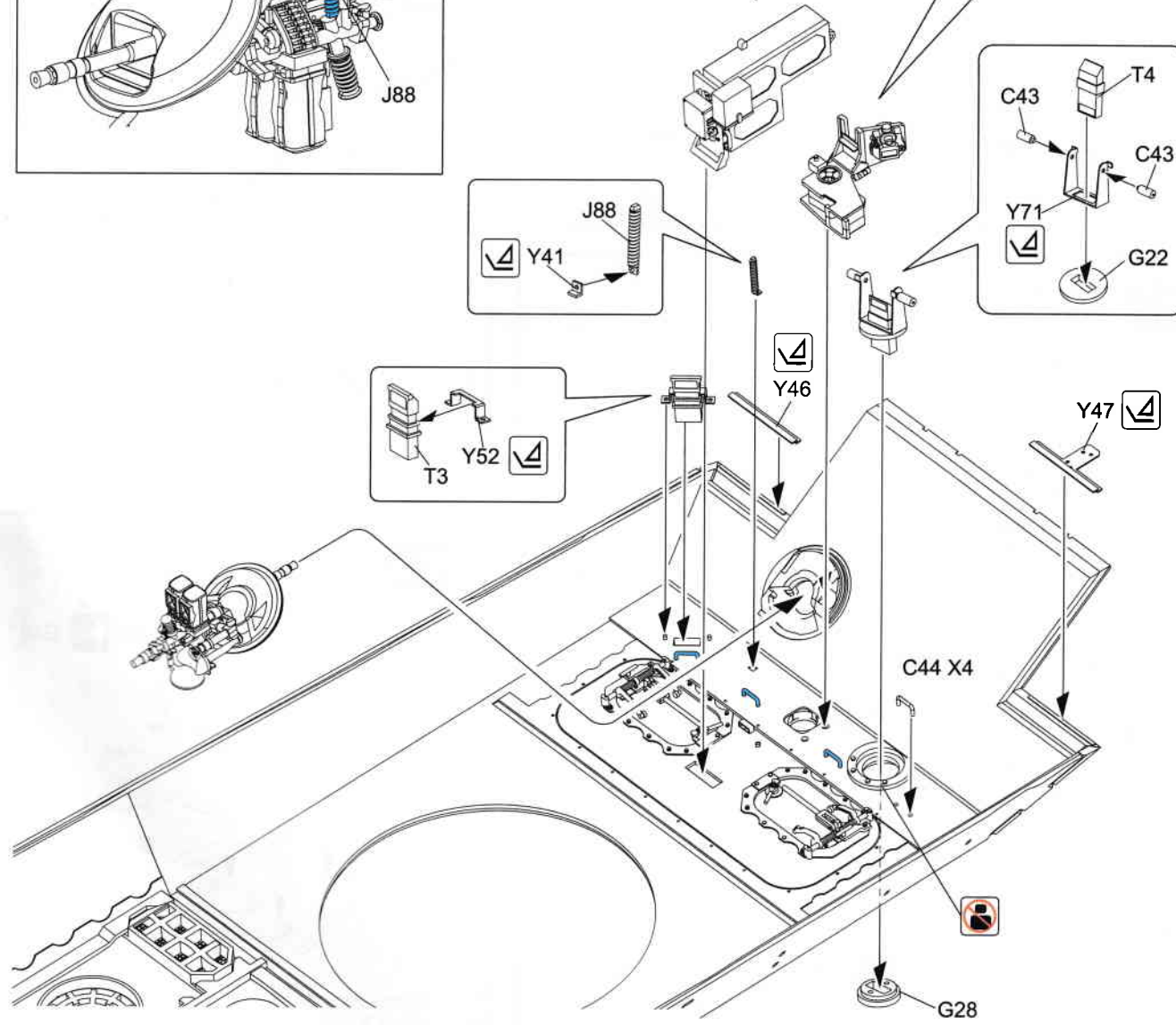
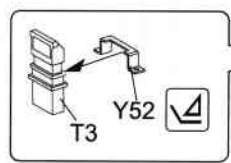
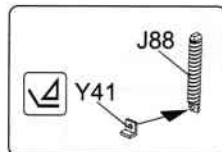
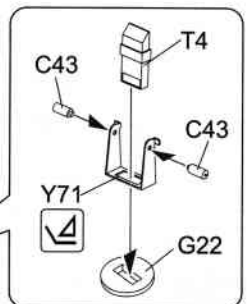
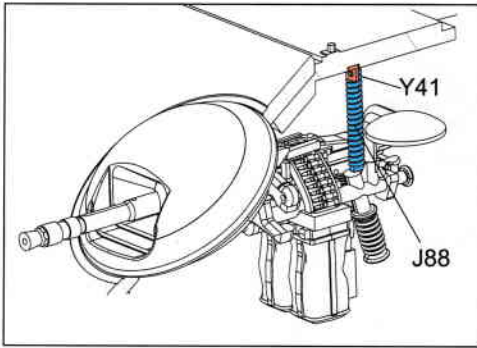
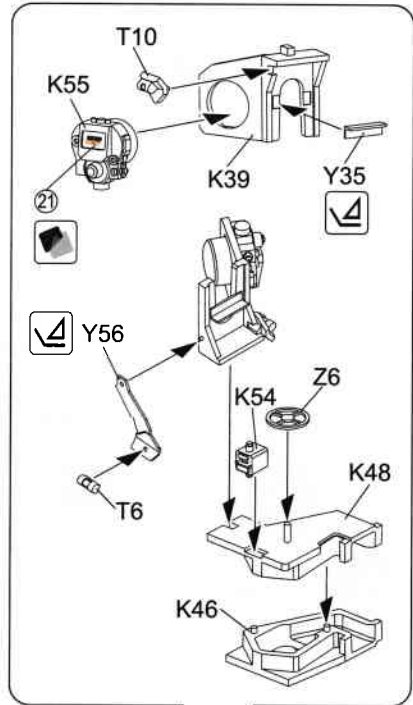
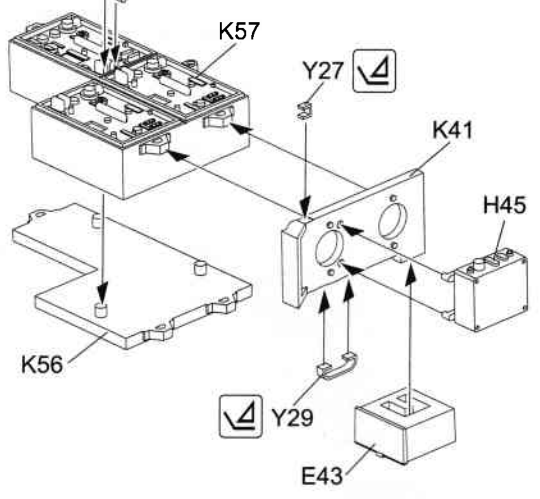


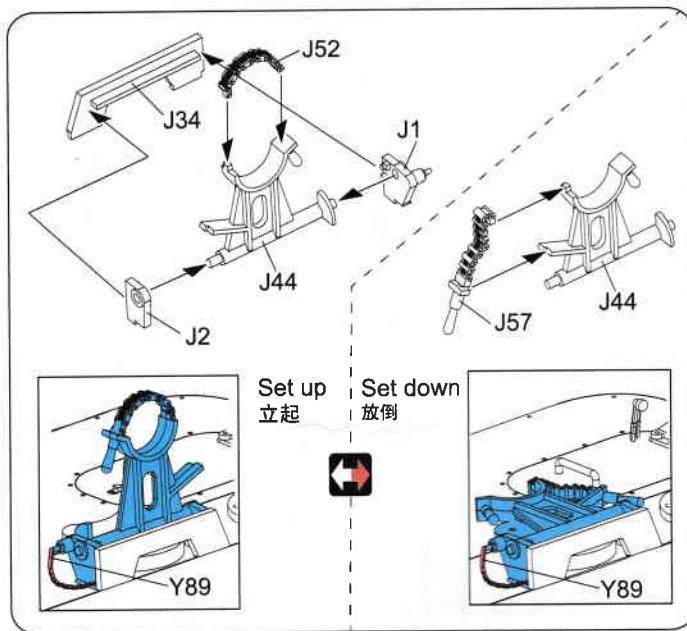


C1



Metal Cable: 1.25mm X2
 金属线: 1.25mm X2

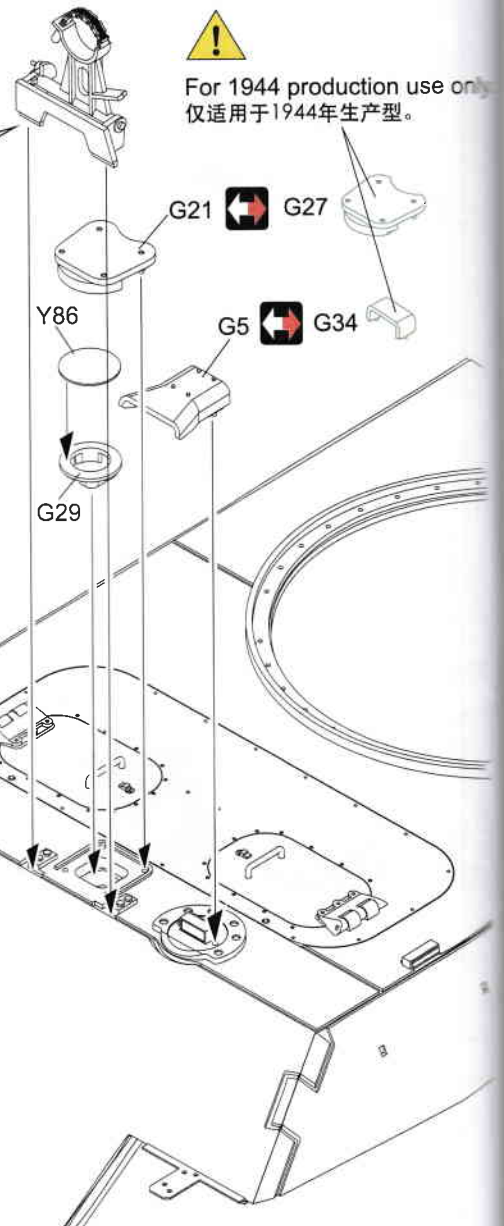




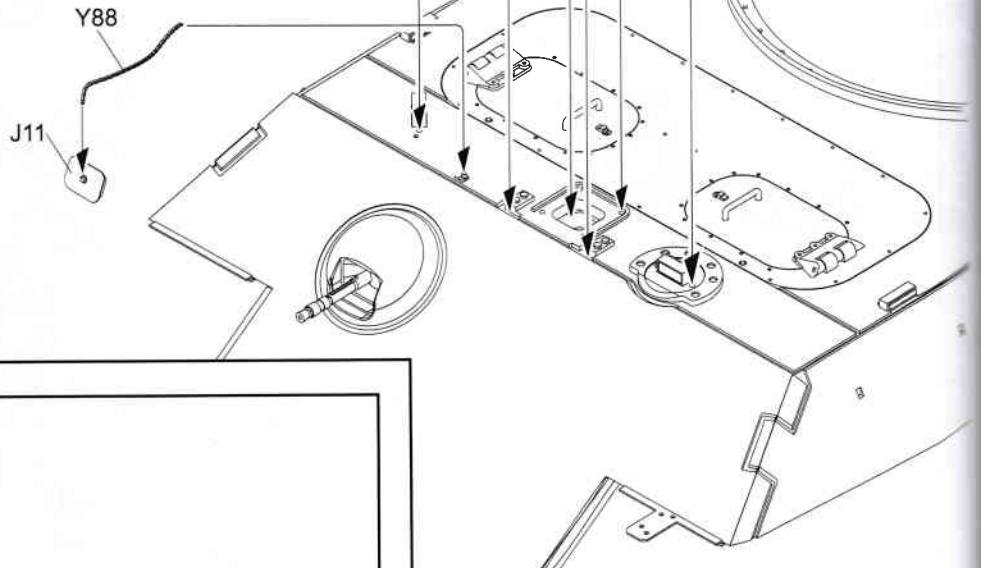
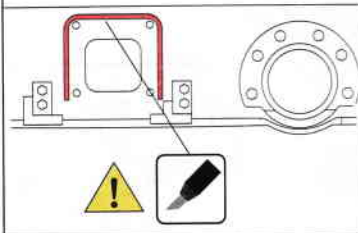
STEP 28



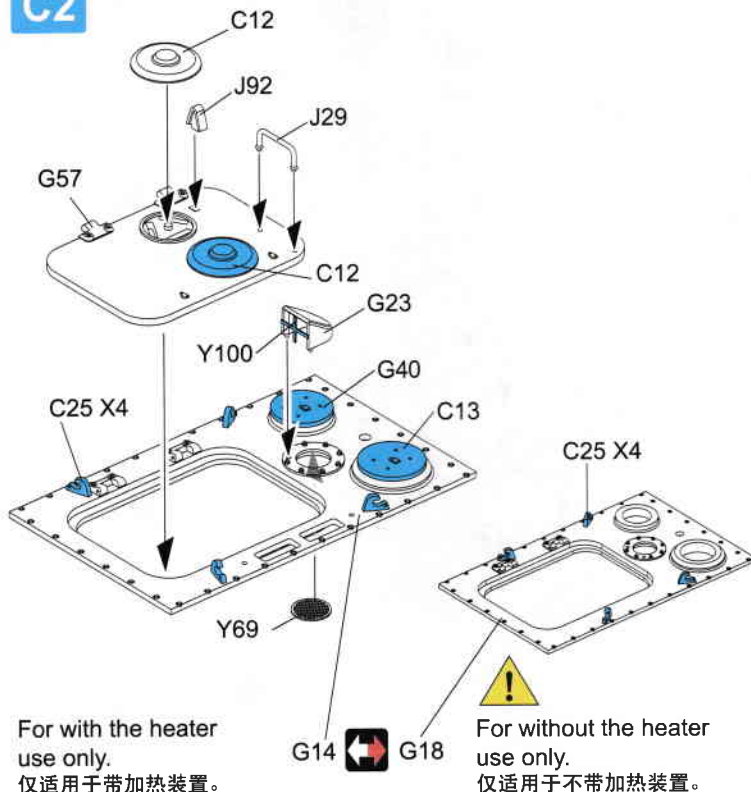
For 1944 production use only.
仅适用于1944年生产型。



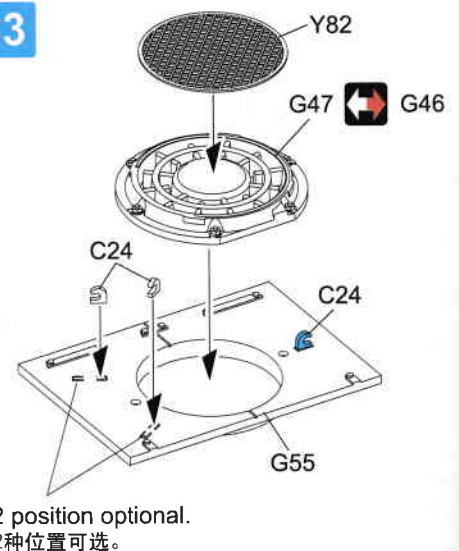
For 1945 production use only.
仅适用于1945年生产型。

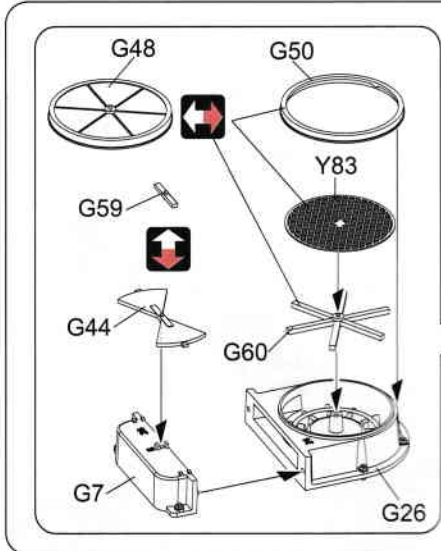


C2

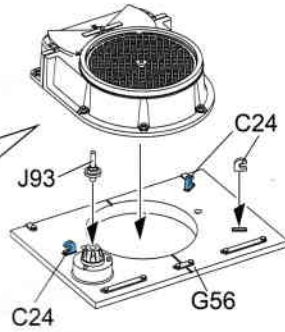


C3

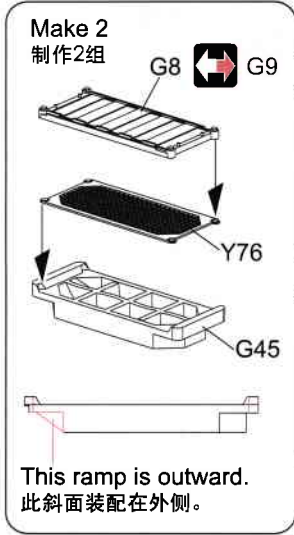
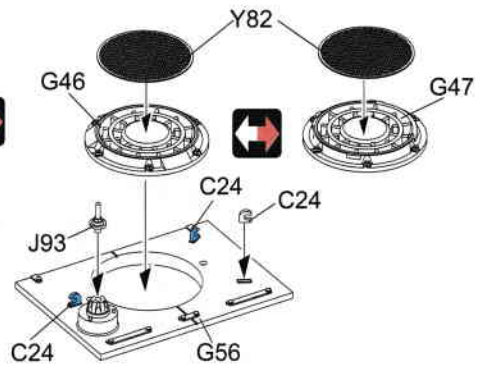




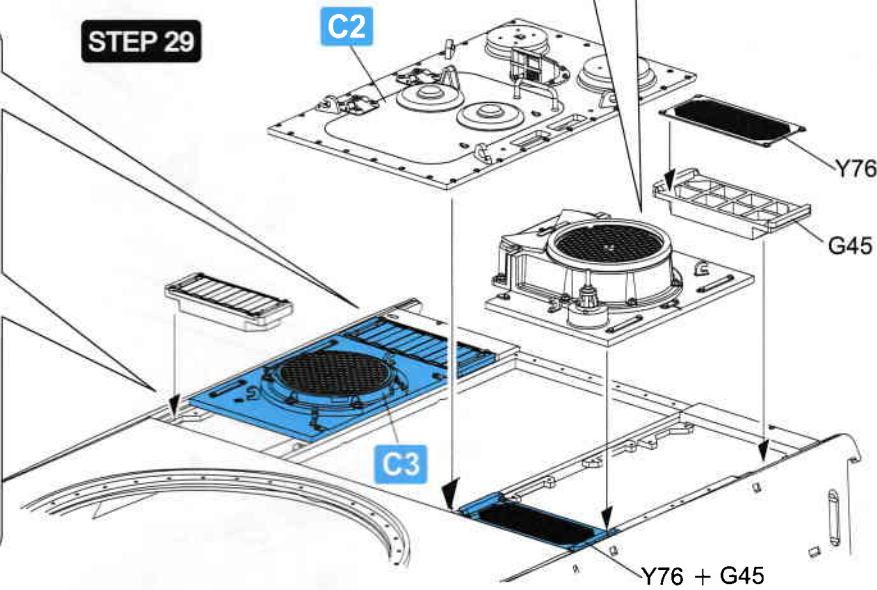
For with the heater use only.
适用于带加热装置。



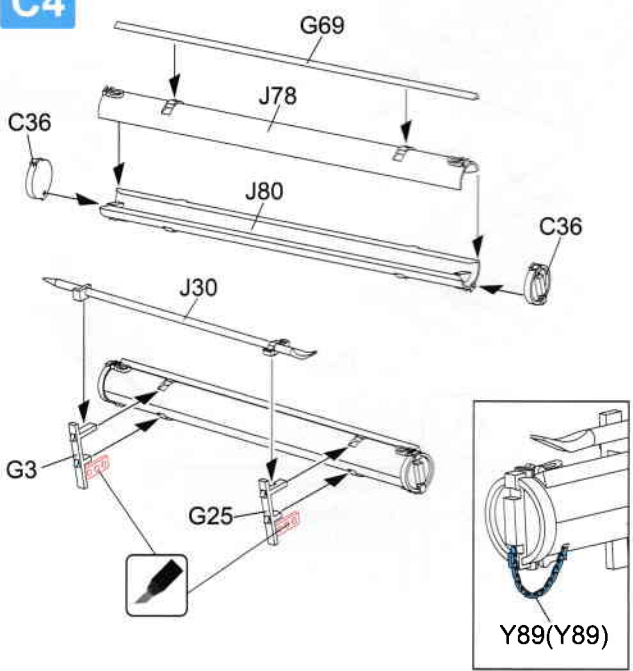
For without the heater use only.
适用于不带加热装置。



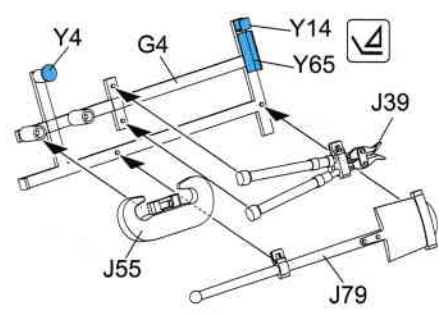
STEP 29



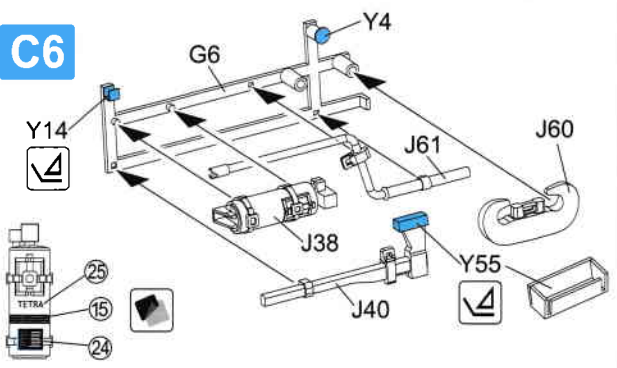
C4



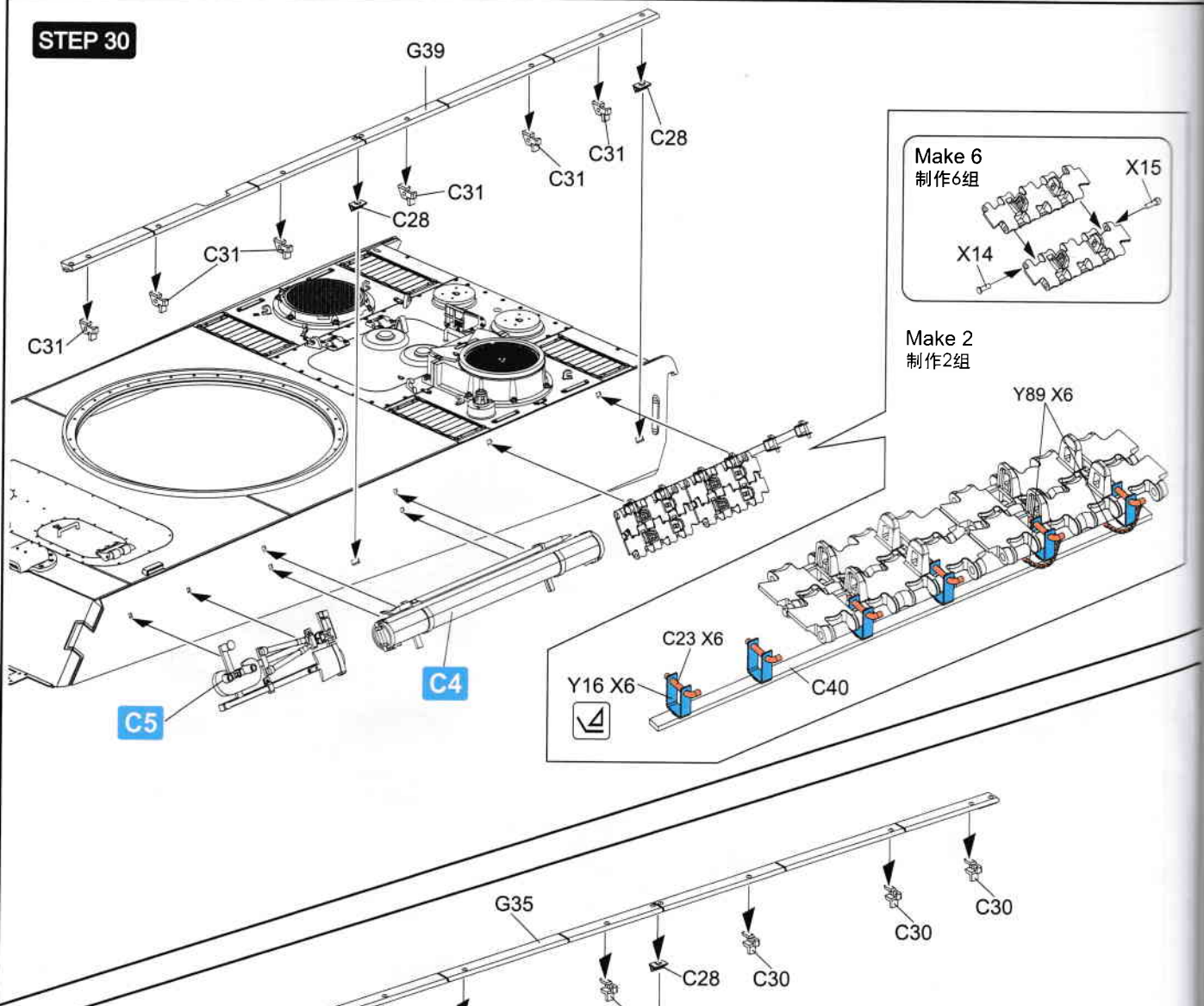
C5



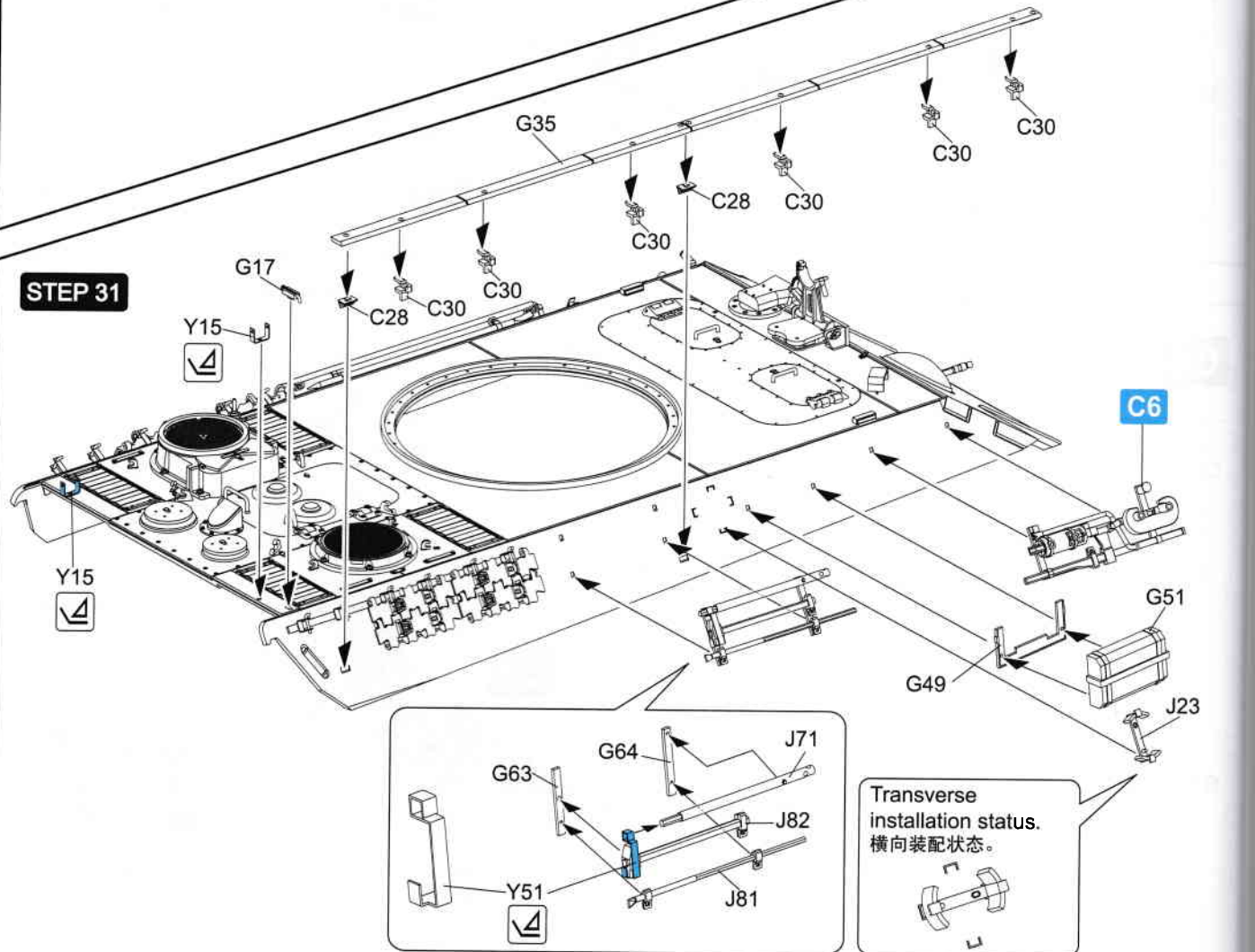
C6



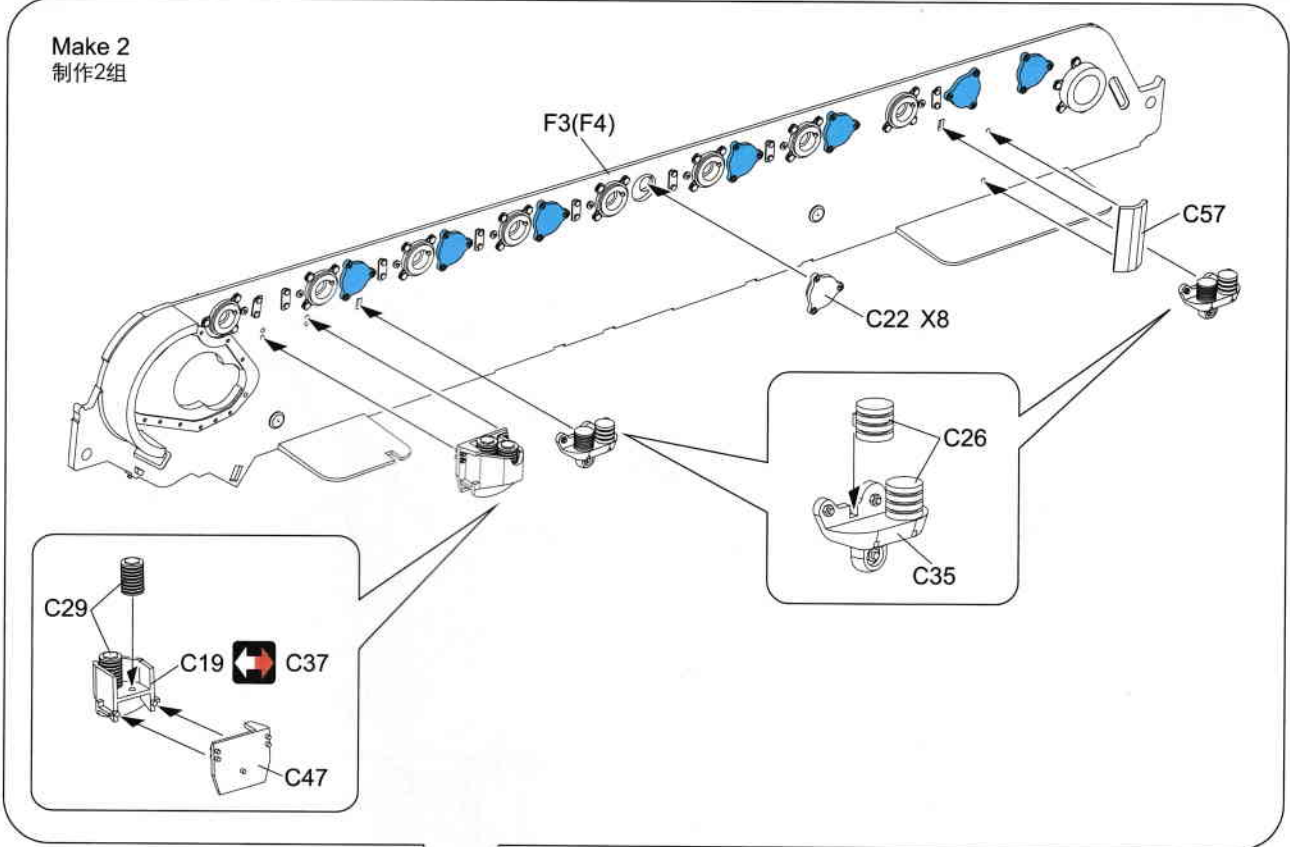
STEP 30



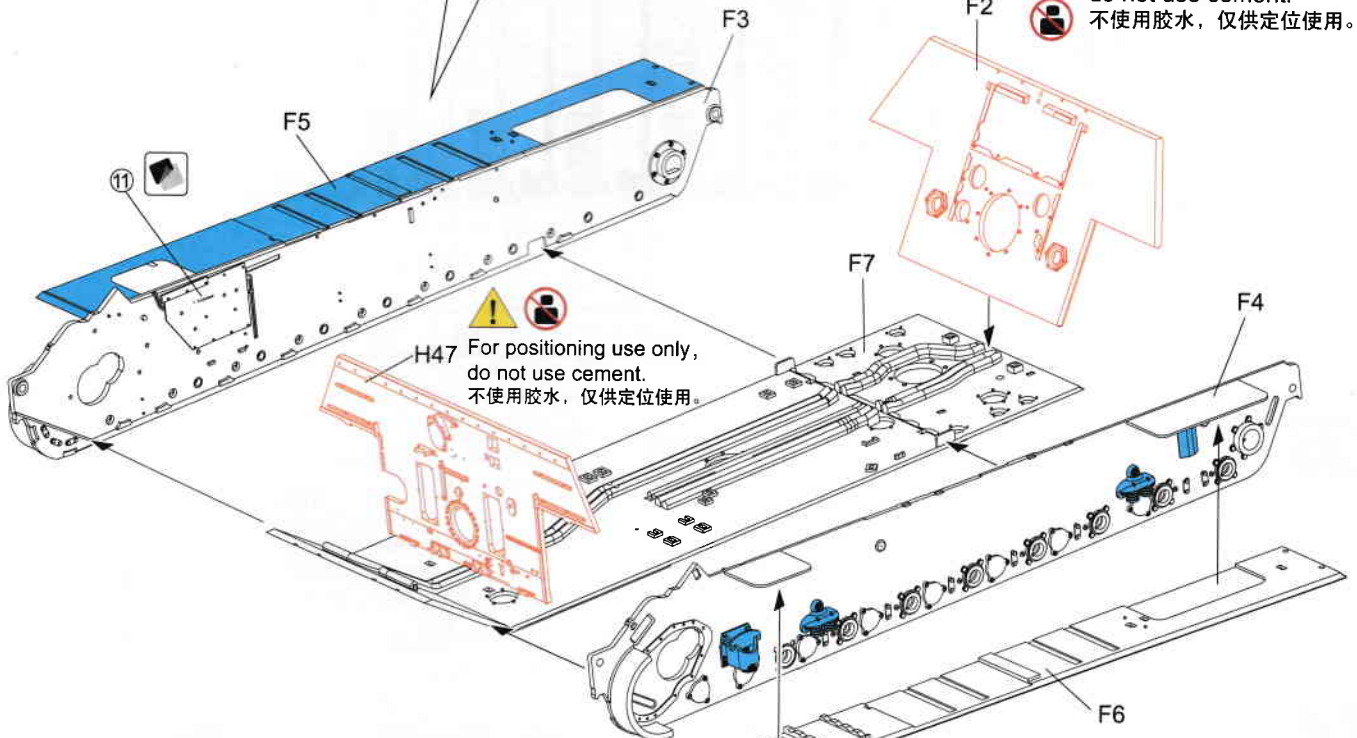
STEP 31



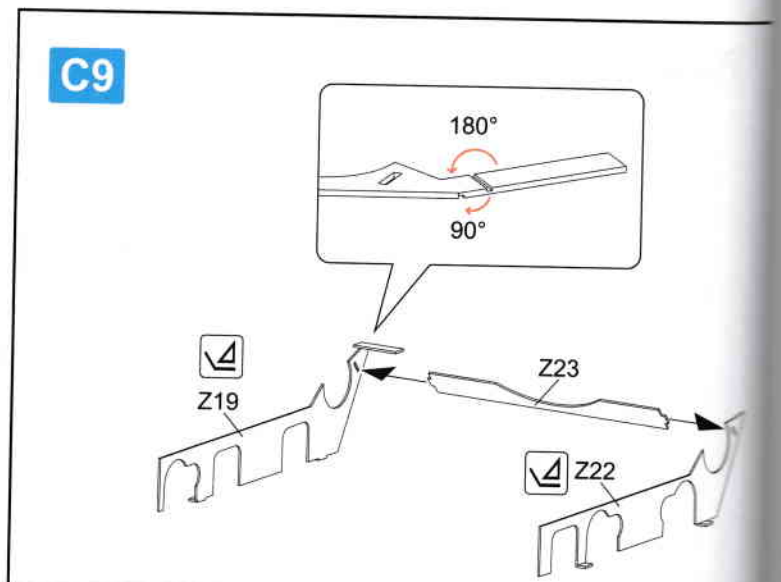
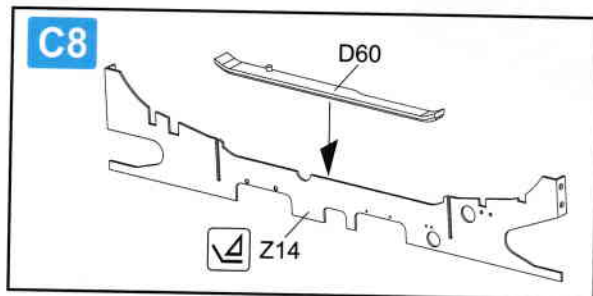
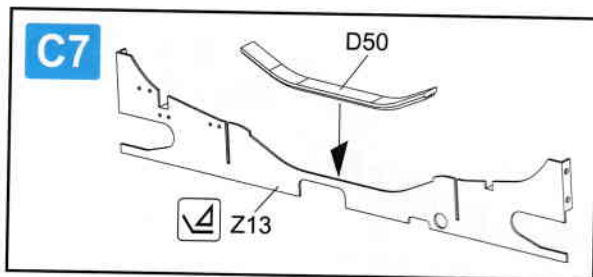
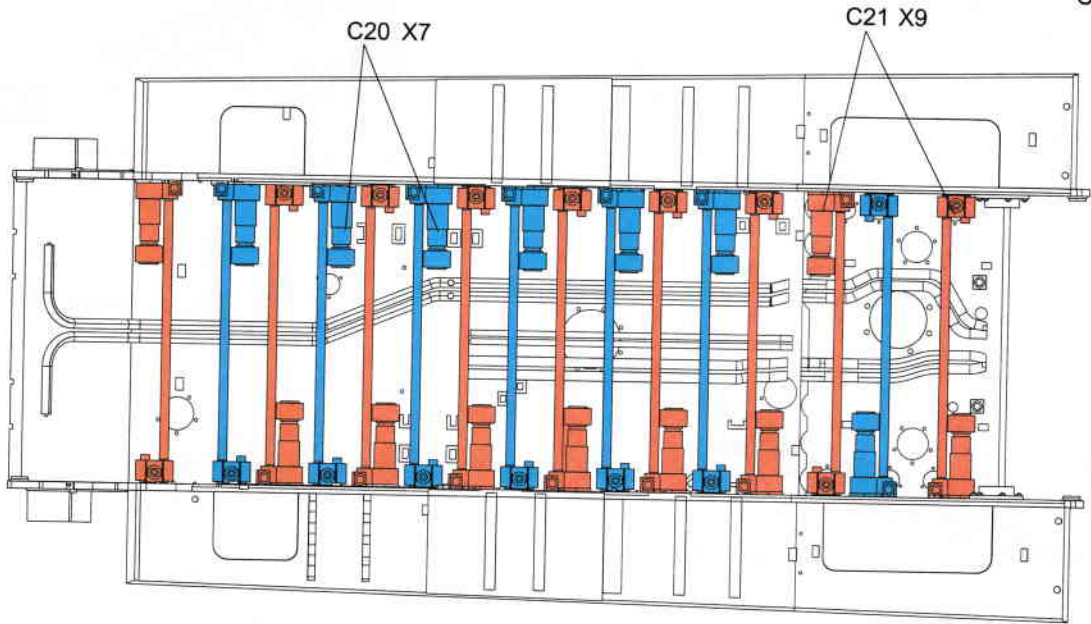
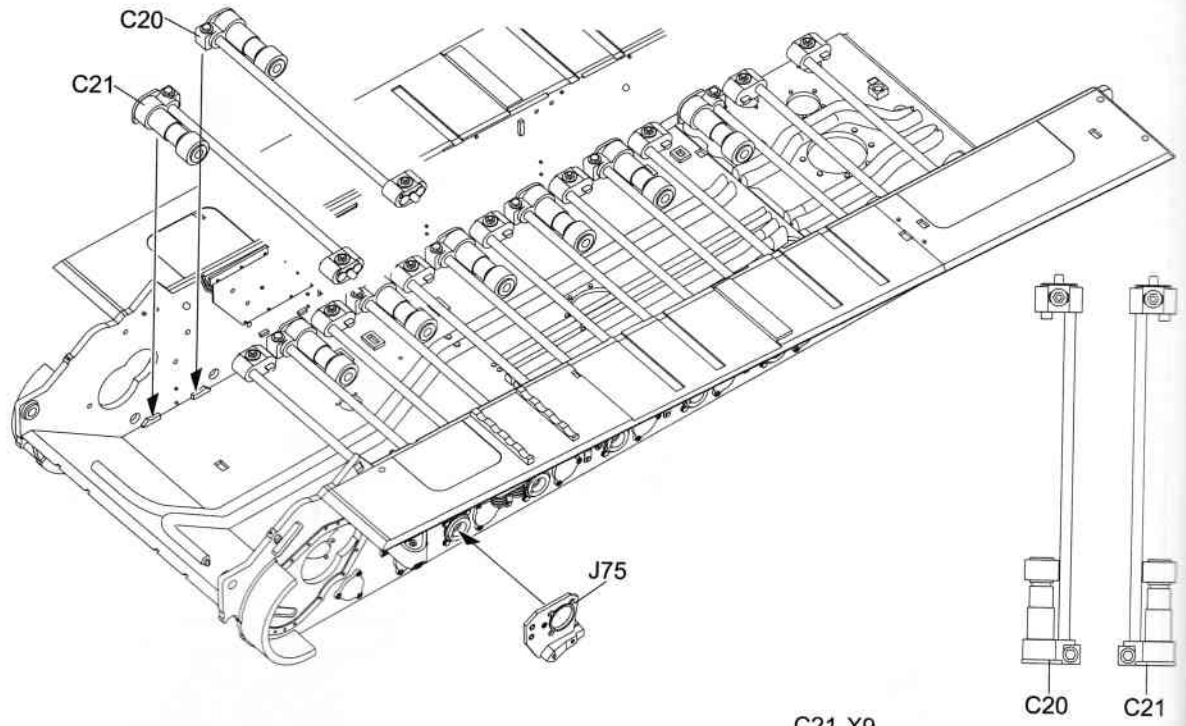
Make 2
制作2组



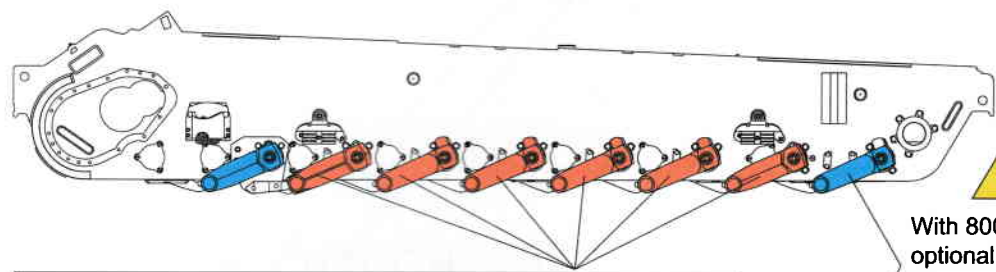
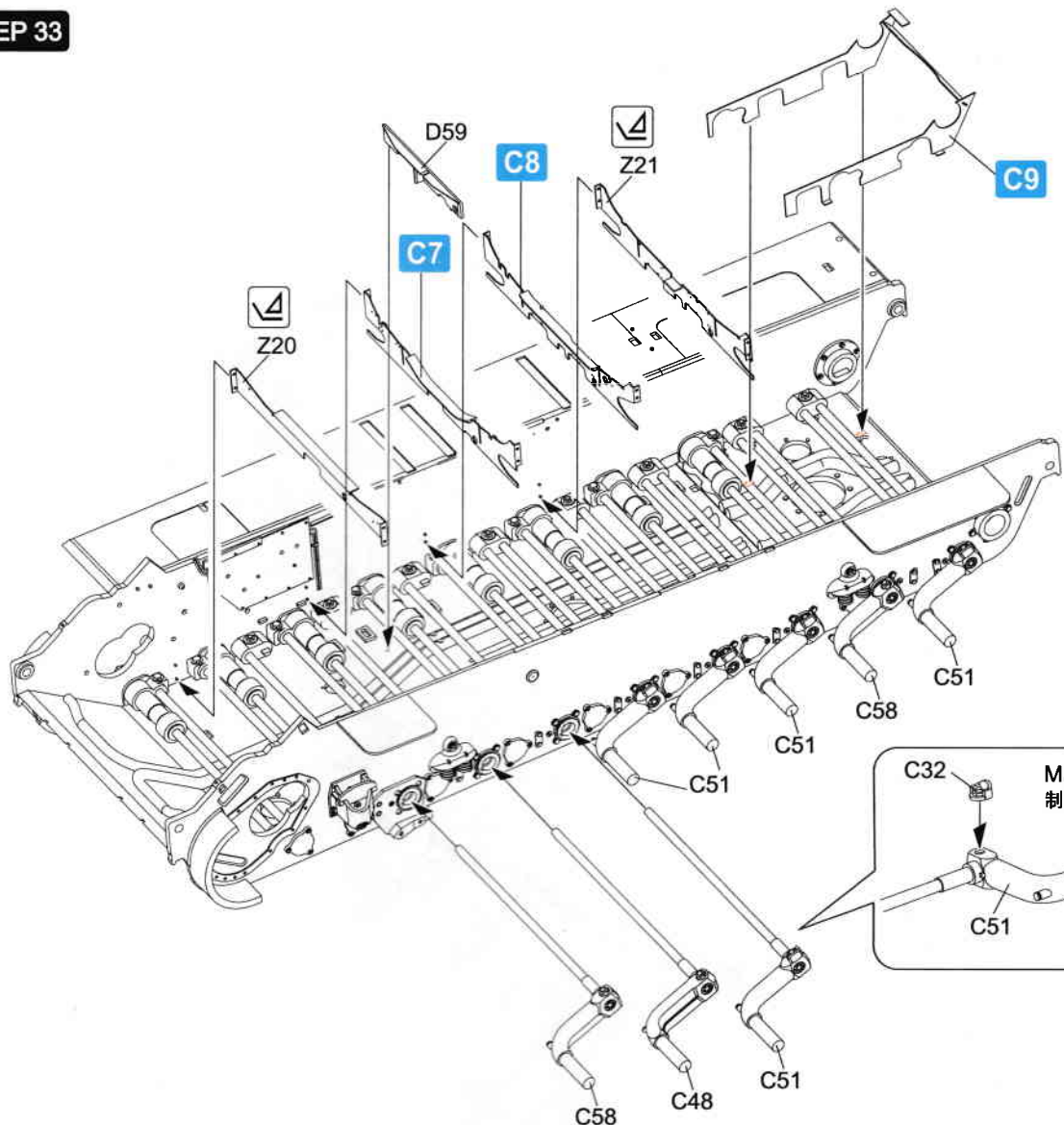
For positioning use only, do not use cement.
 不使用胶水，仅供定位使用。



STEP 32

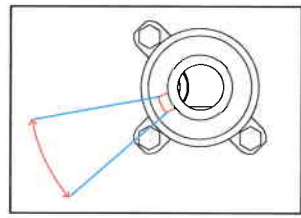
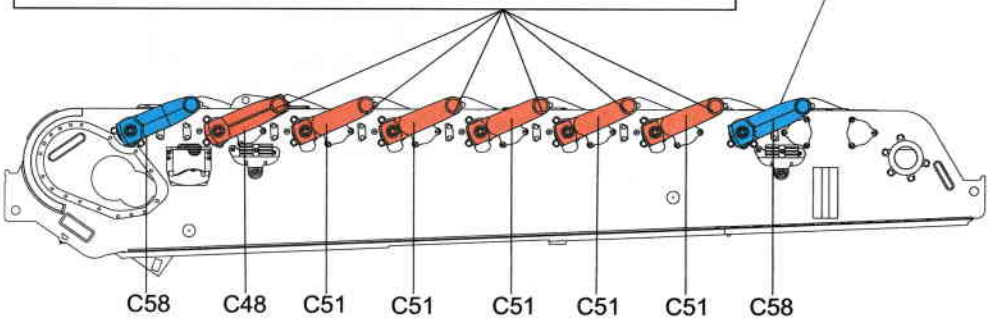
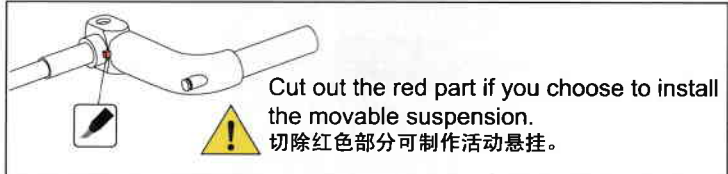


STEP 33

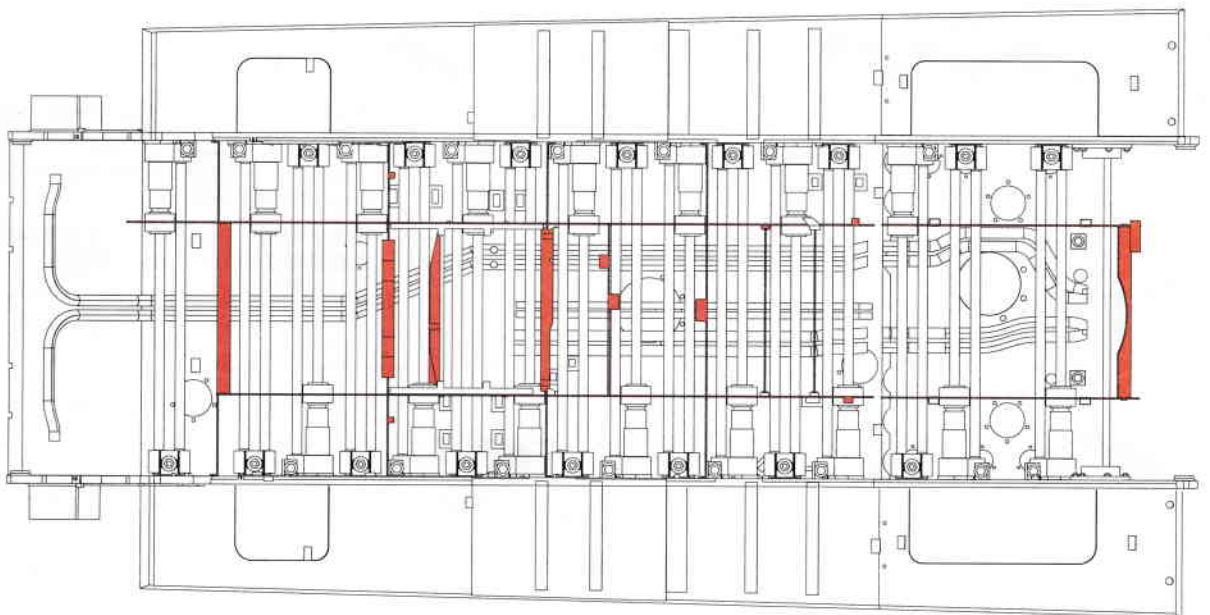
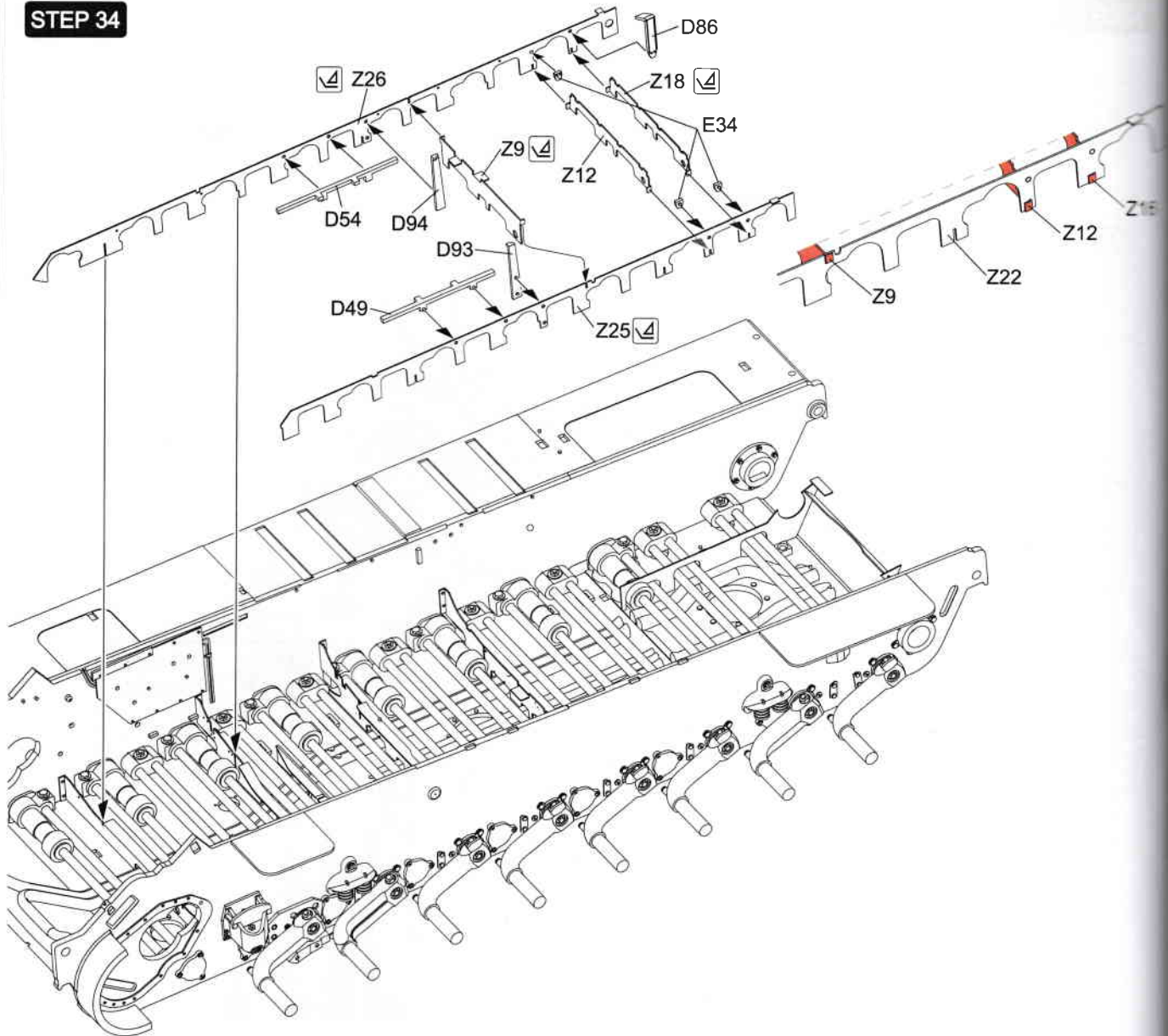


With 800mm steel road wheels can be optional. See **C36** on page 44. Please attach the torsion bar to the lower limit of the positioning slot.

可选装800mm钢制负重轮，参见第44的 **C36**。请将扭杆按定位槽的下限位置粘接。



STEP 34



STEP 35

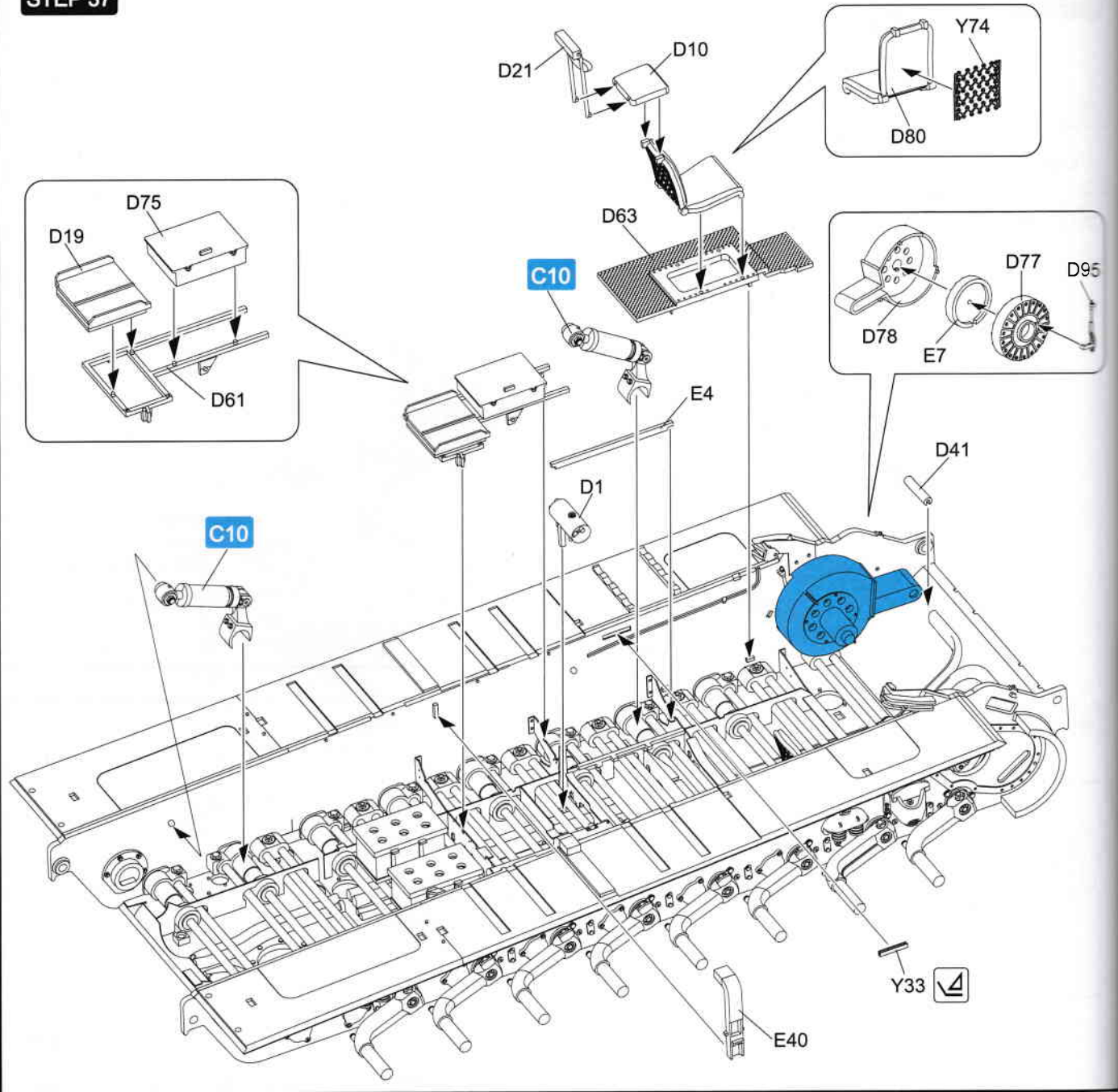
C10 Make 3
制作3组

Make 2
制作2组

The wider side towards the front of the vehicle.
较宽的一面朝向车头。

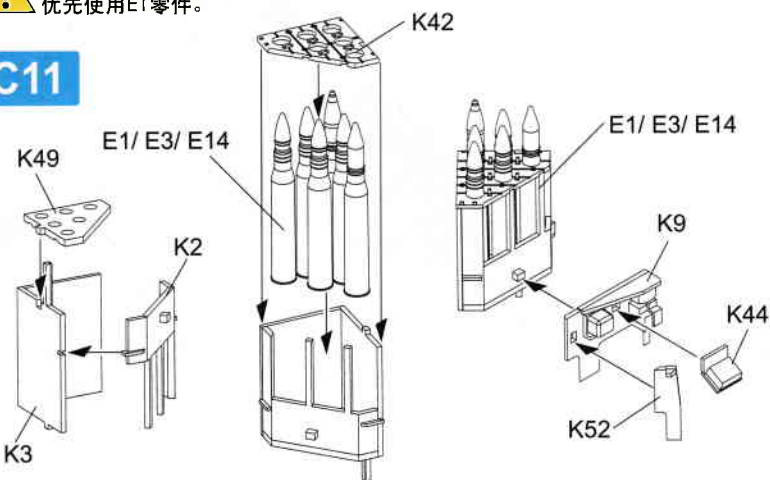
STEP 36

STEP 37

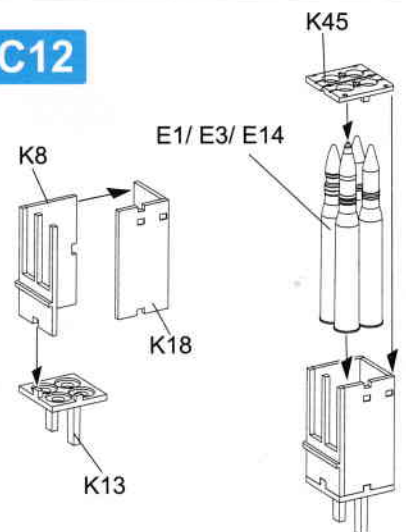


! Priority to install part E1.
优先使用E1零件。

C11

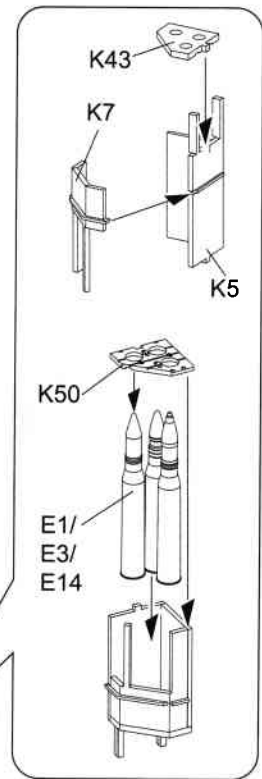
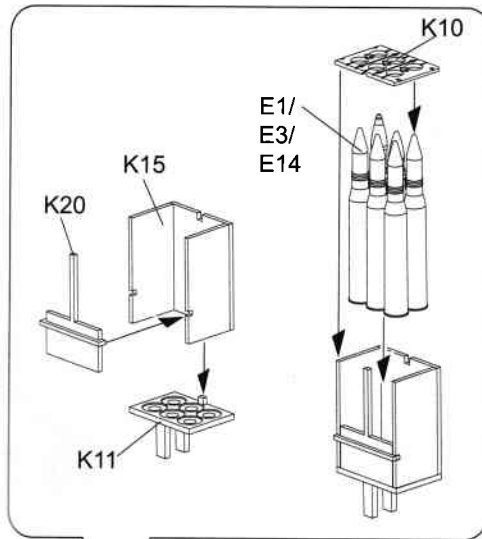
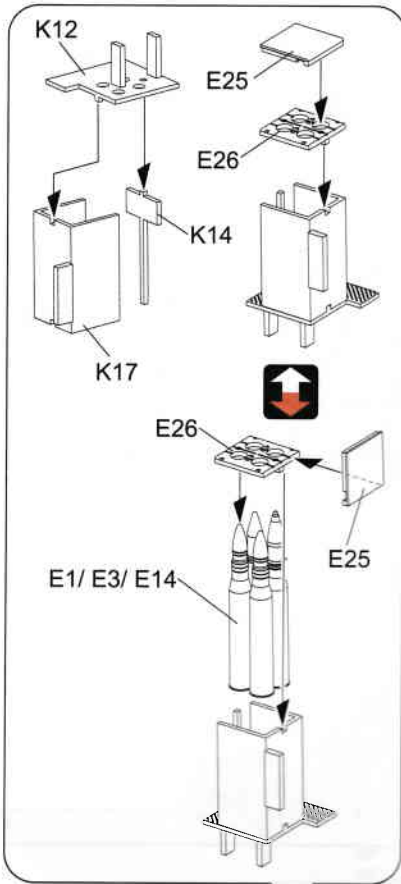


C12

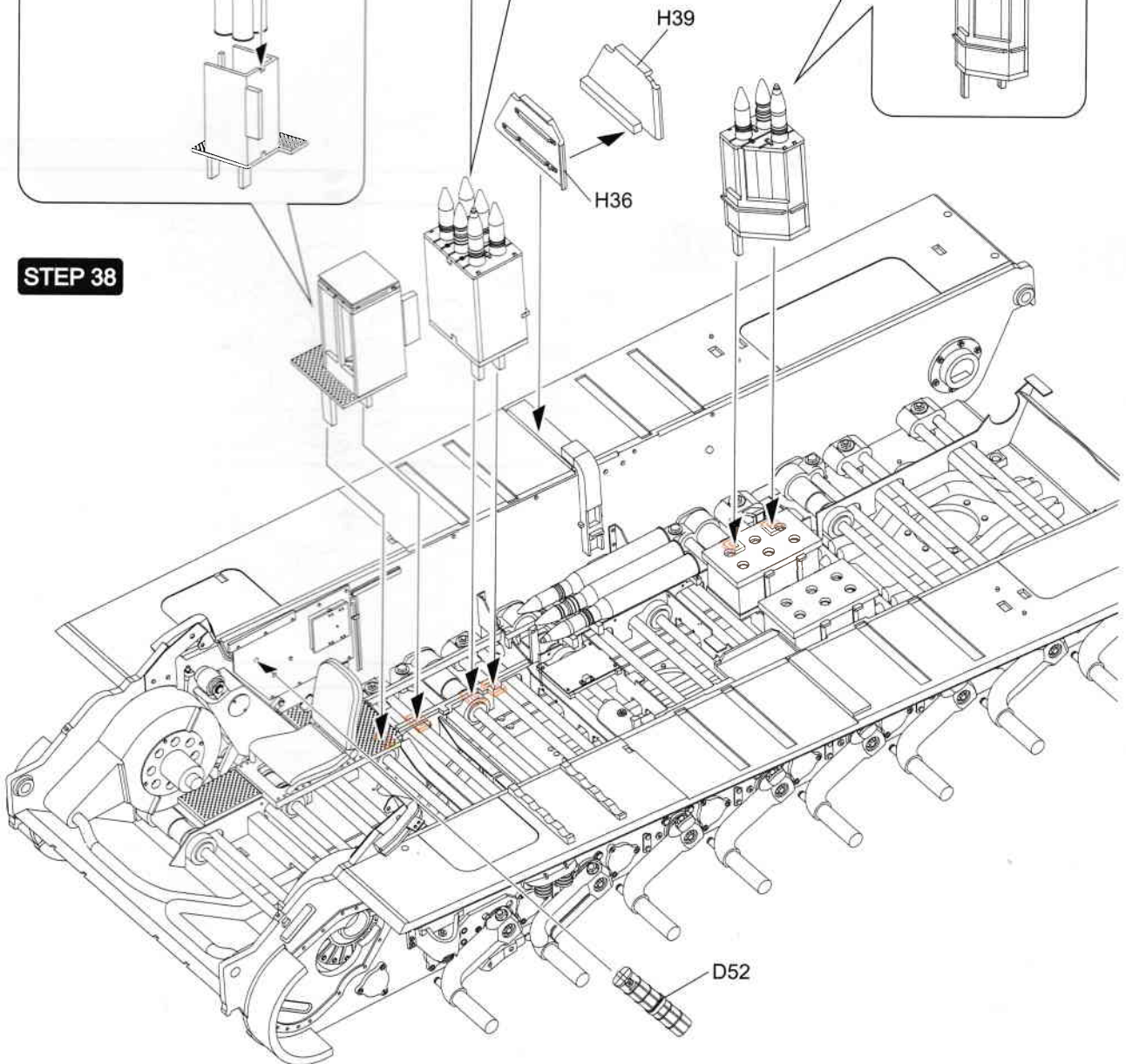


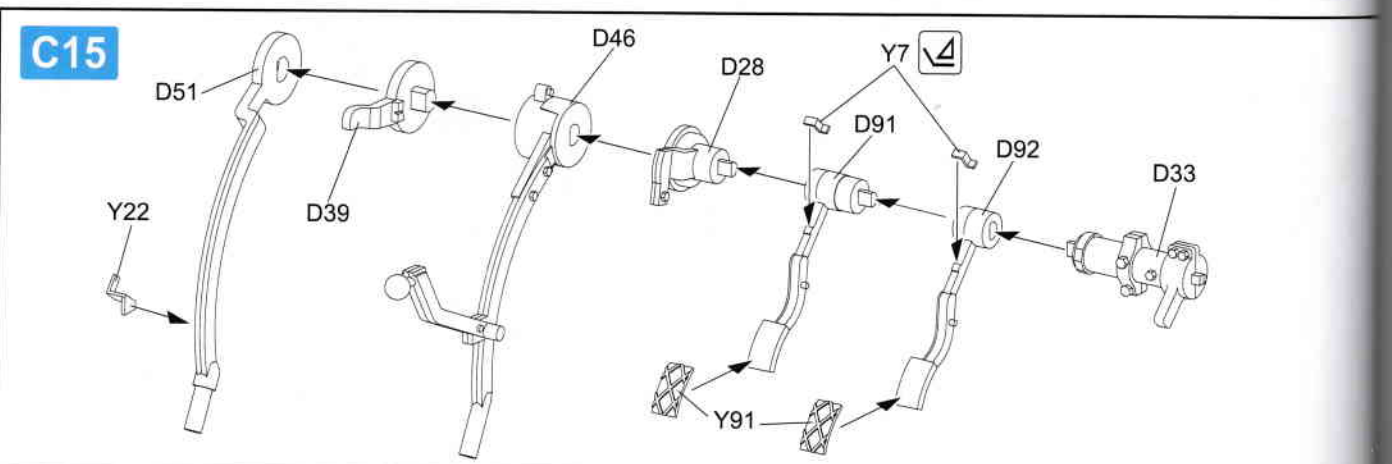
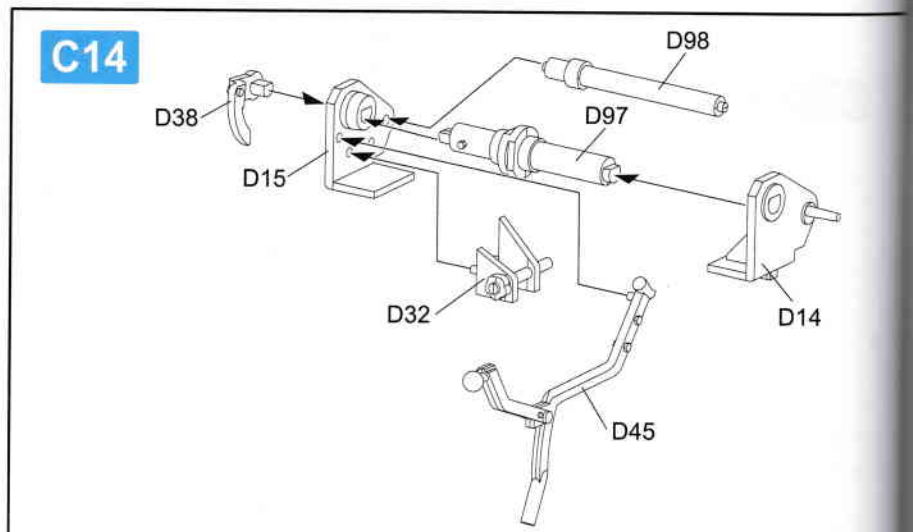
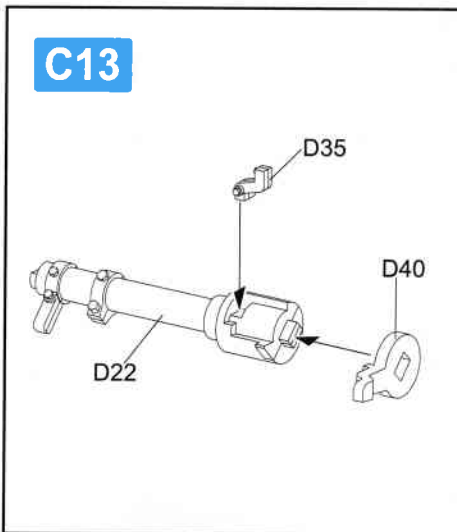
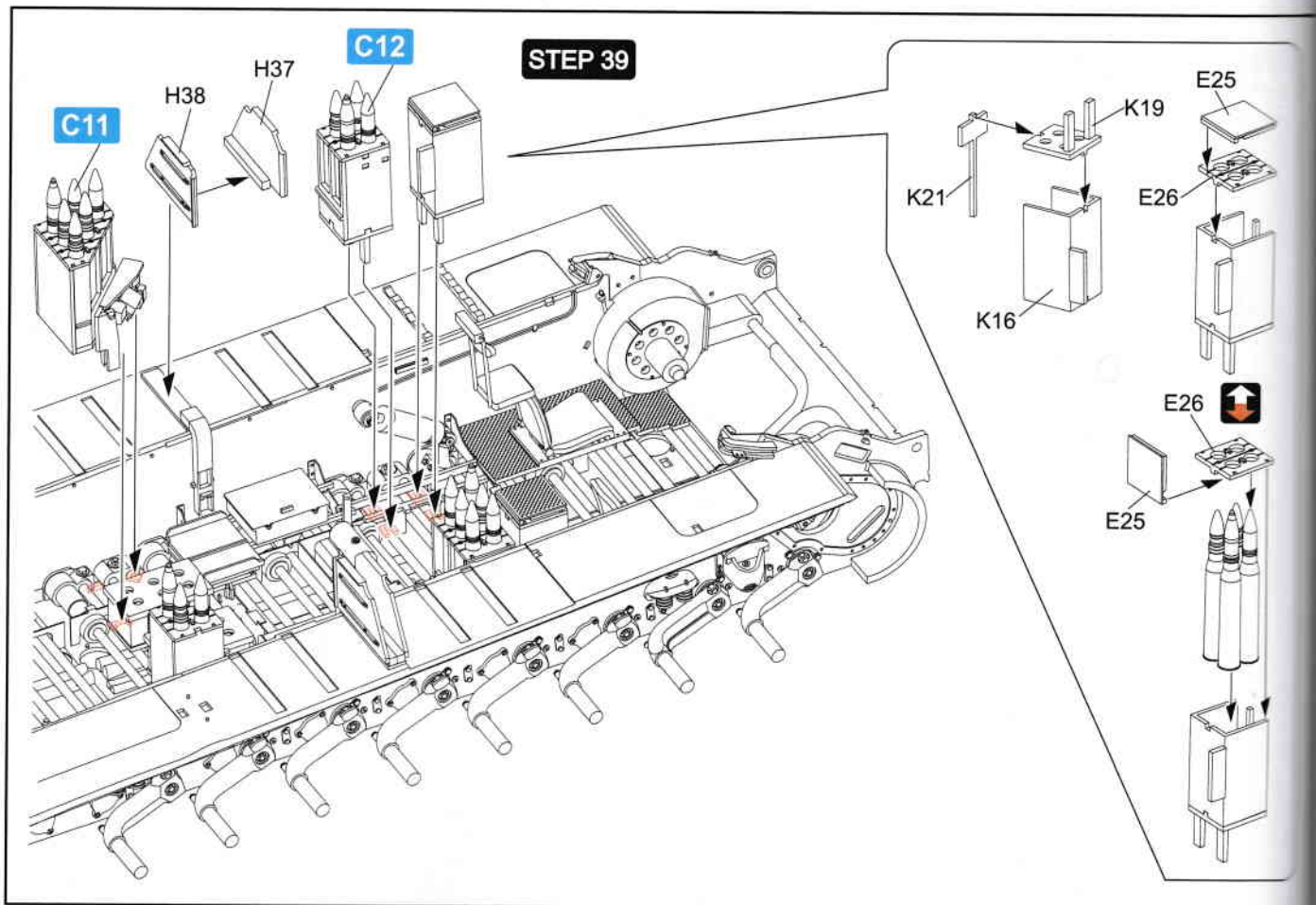


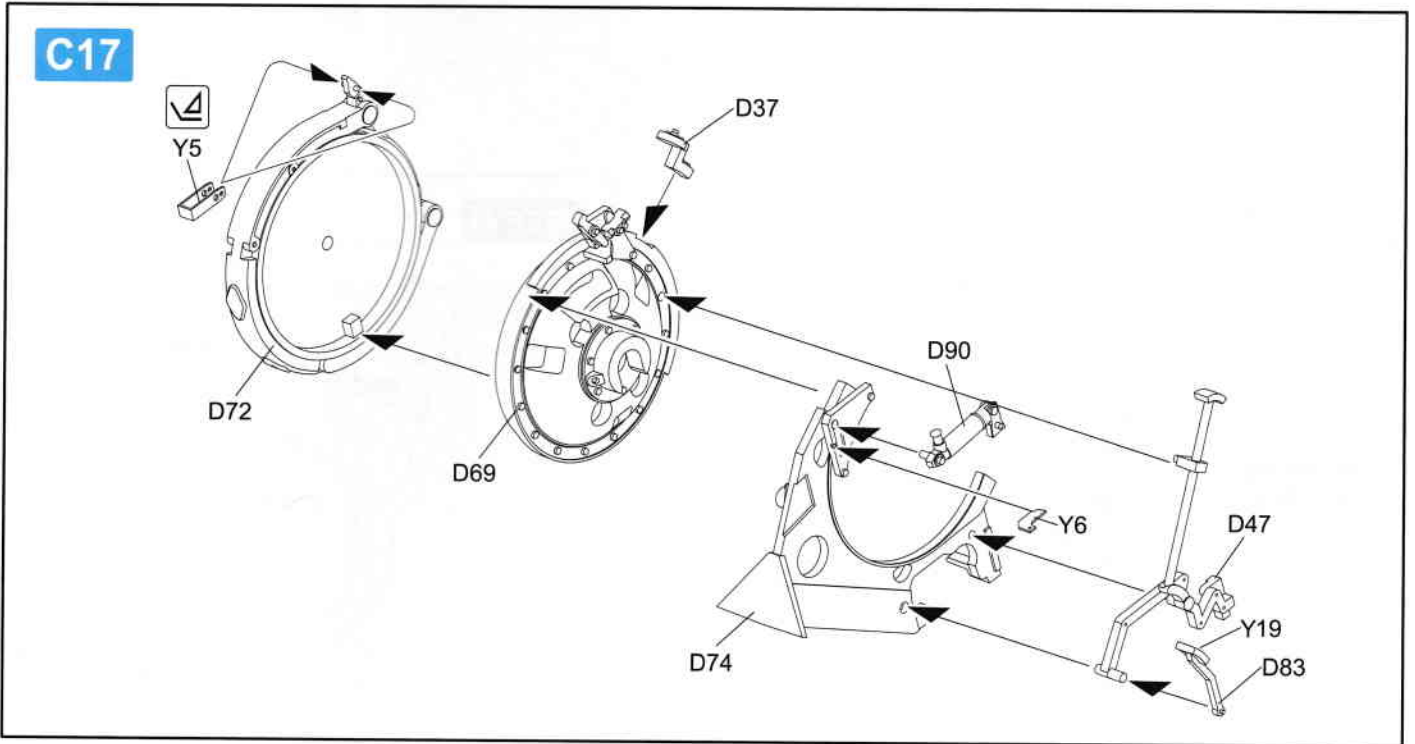
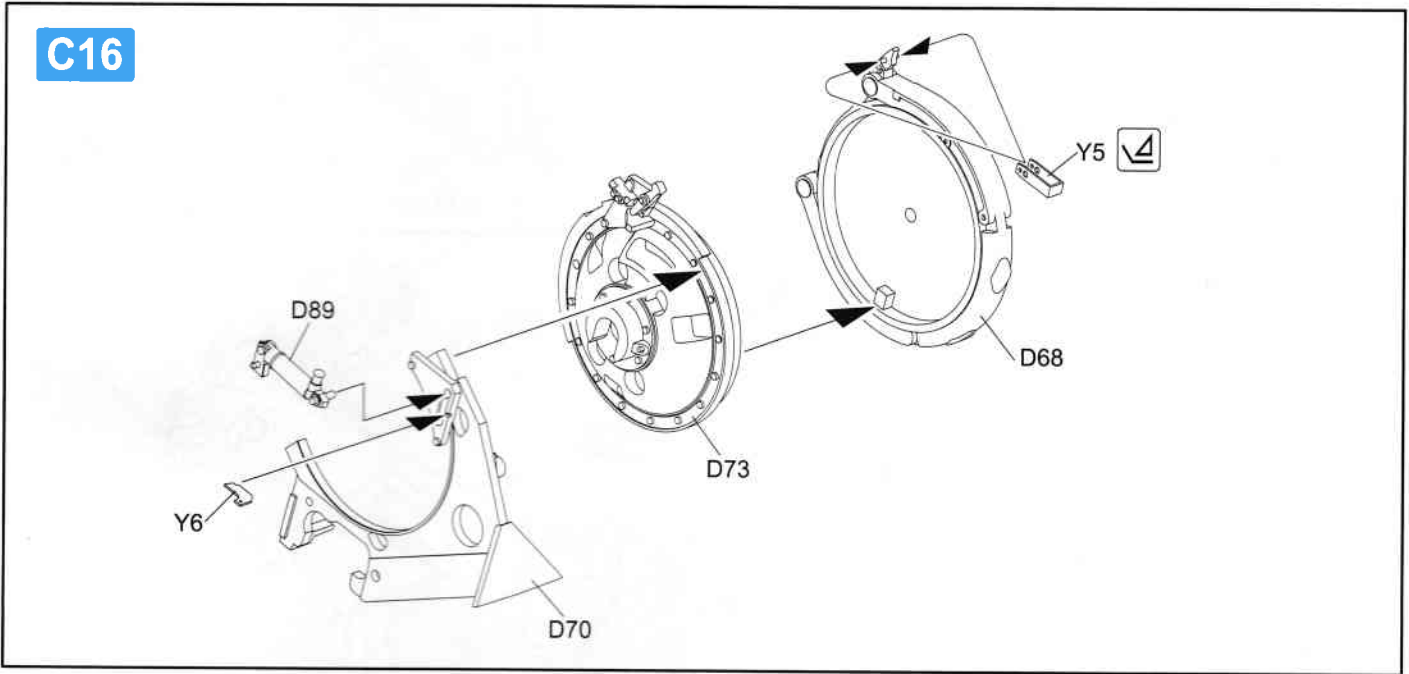
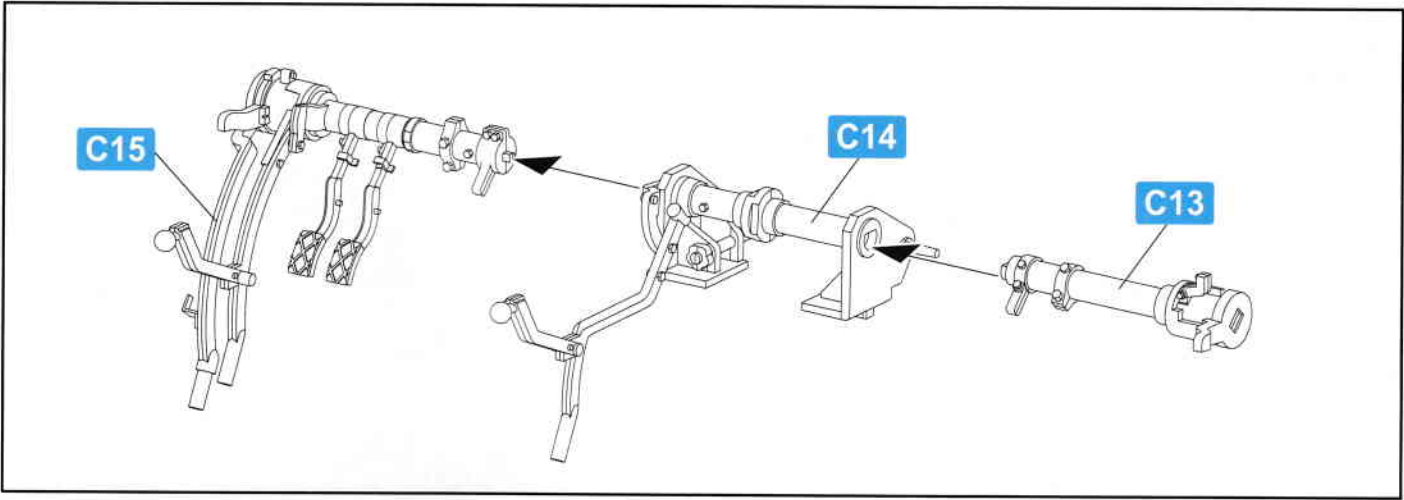
Priority to install part E1.
优先使用E1零件。



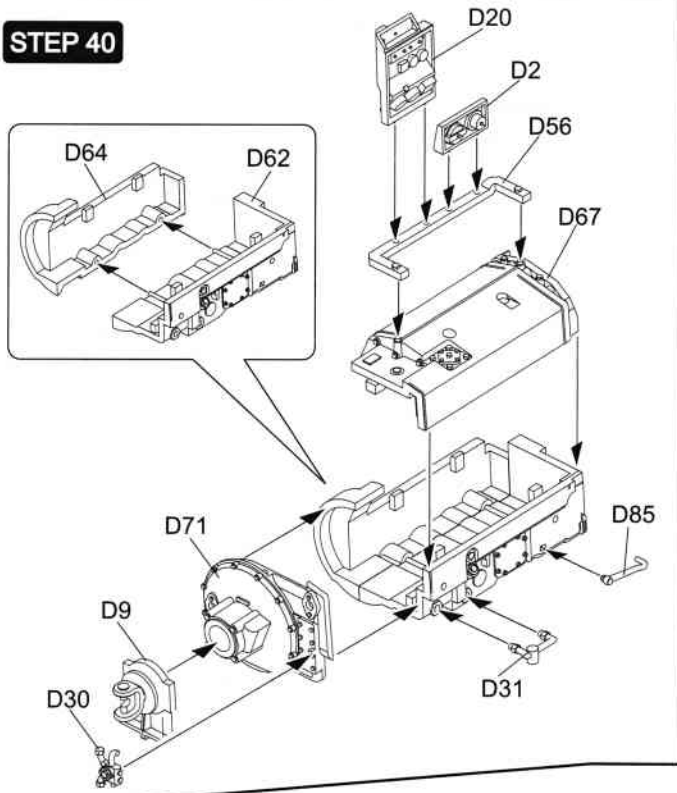
STEP 38



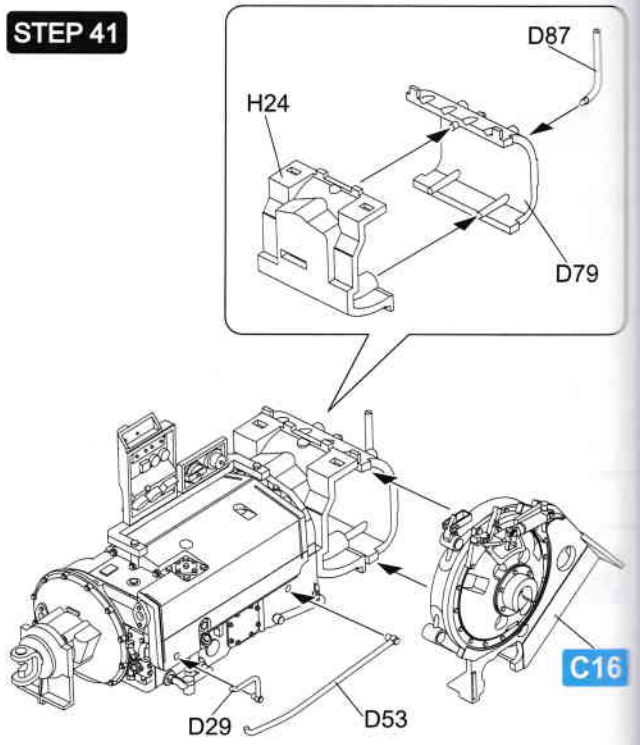




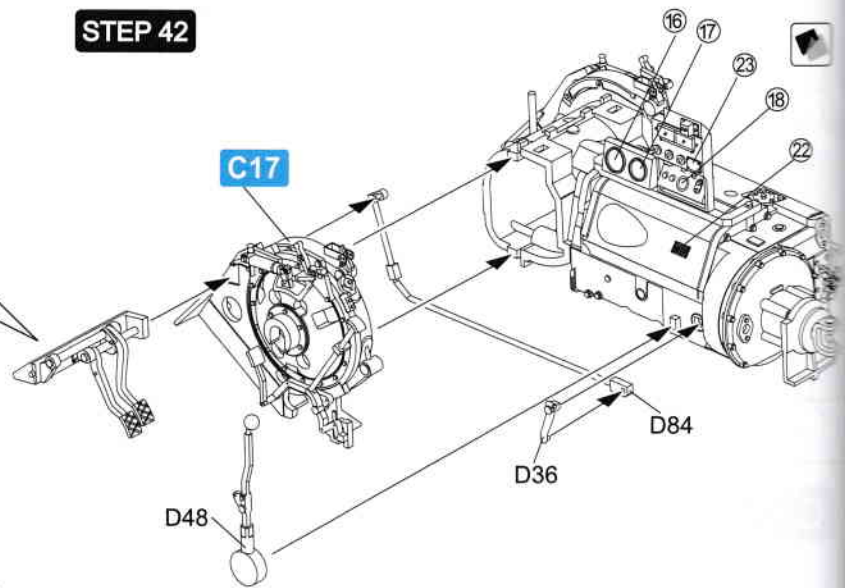
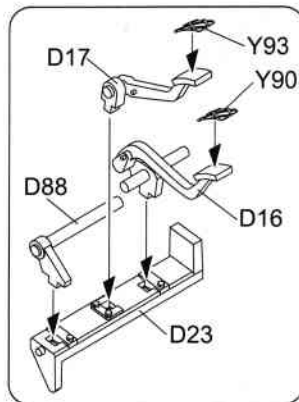
STEP 40



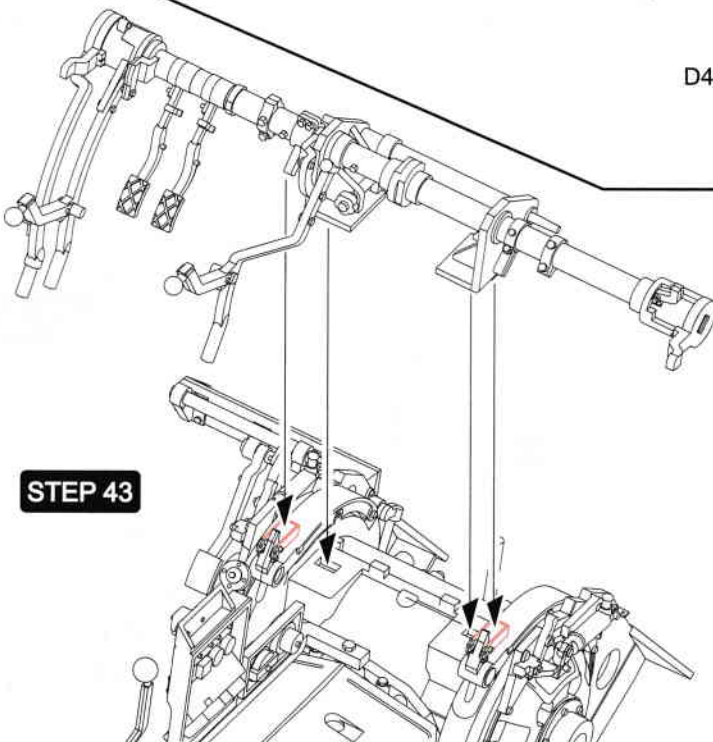
STEP 41



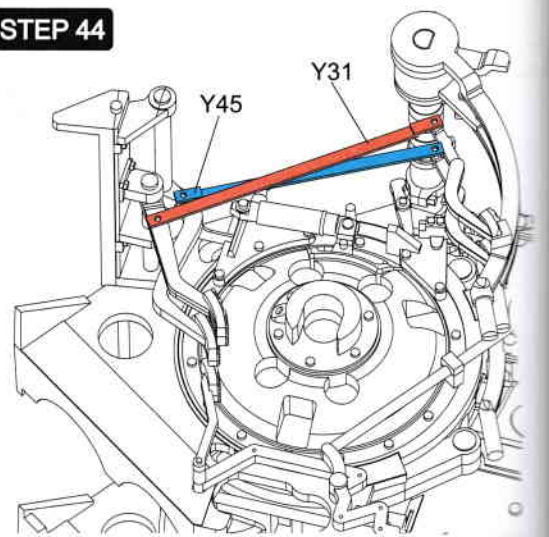
STEP 42



STEP 43



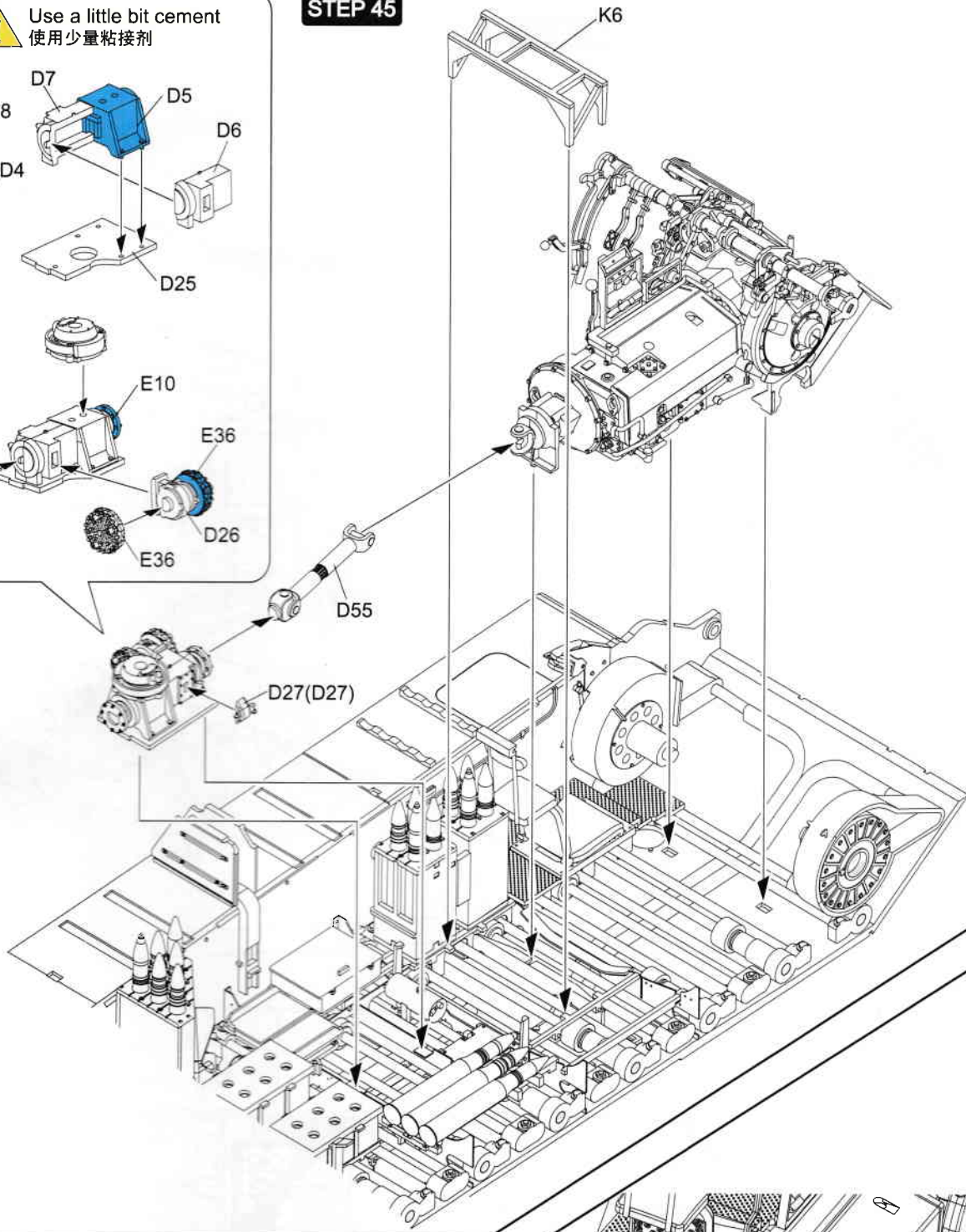
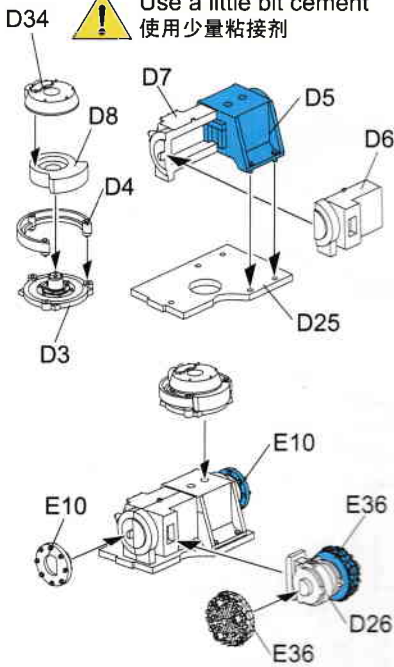
STEP 44



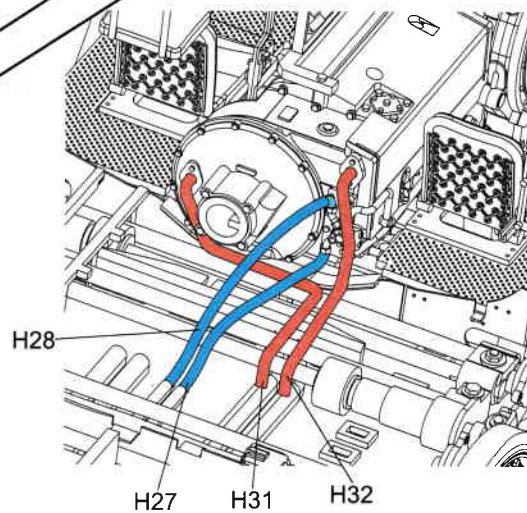
STEP 45



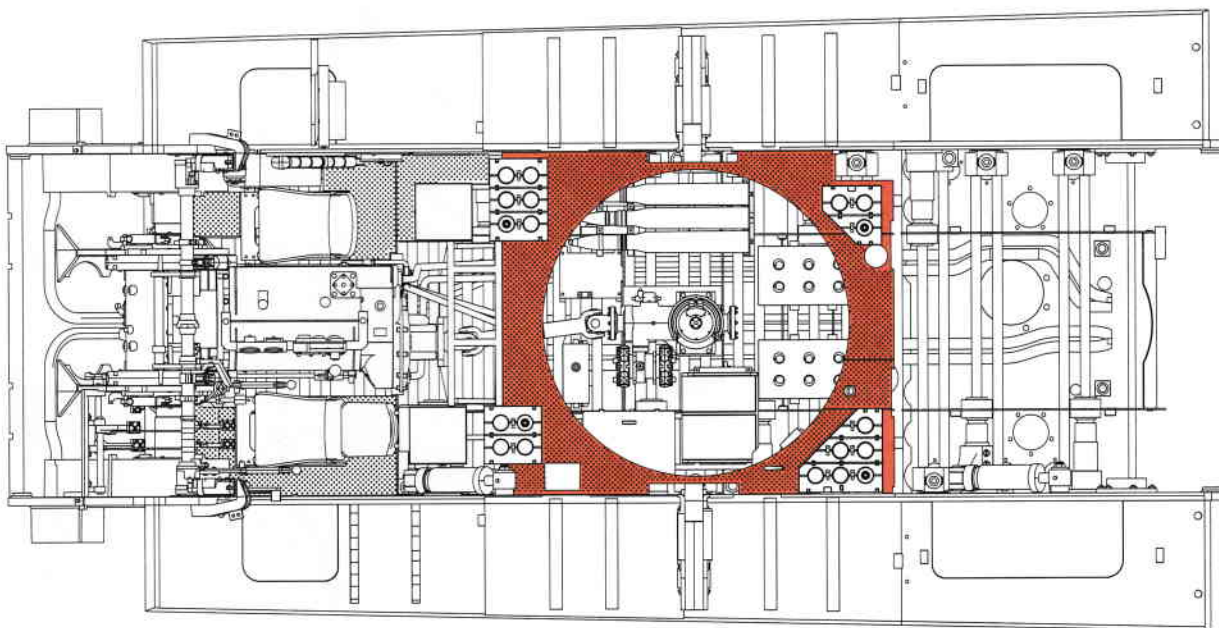
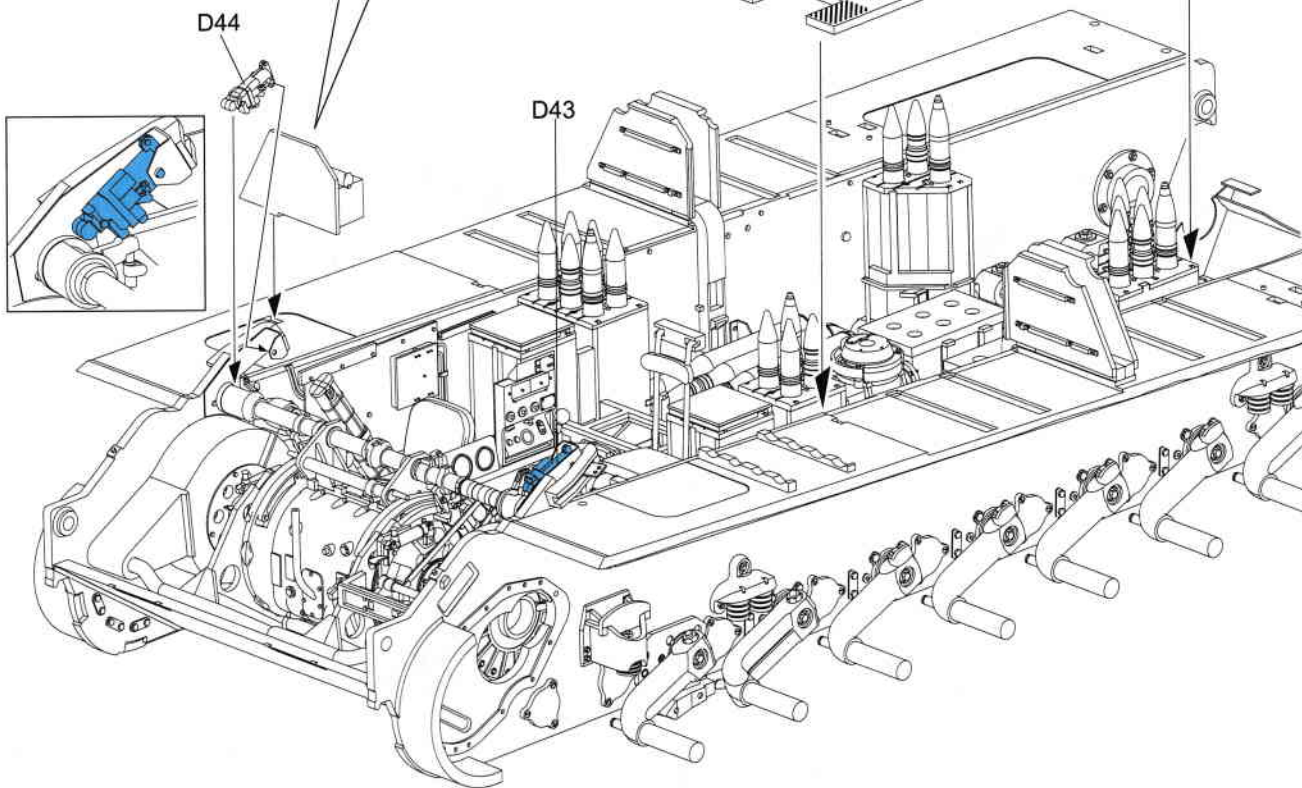
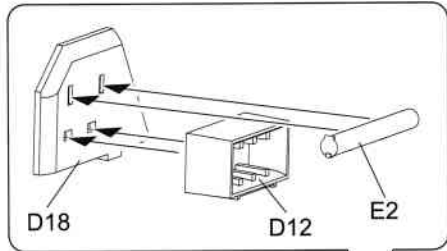
Use a little bit cement
使用少量粘接剂



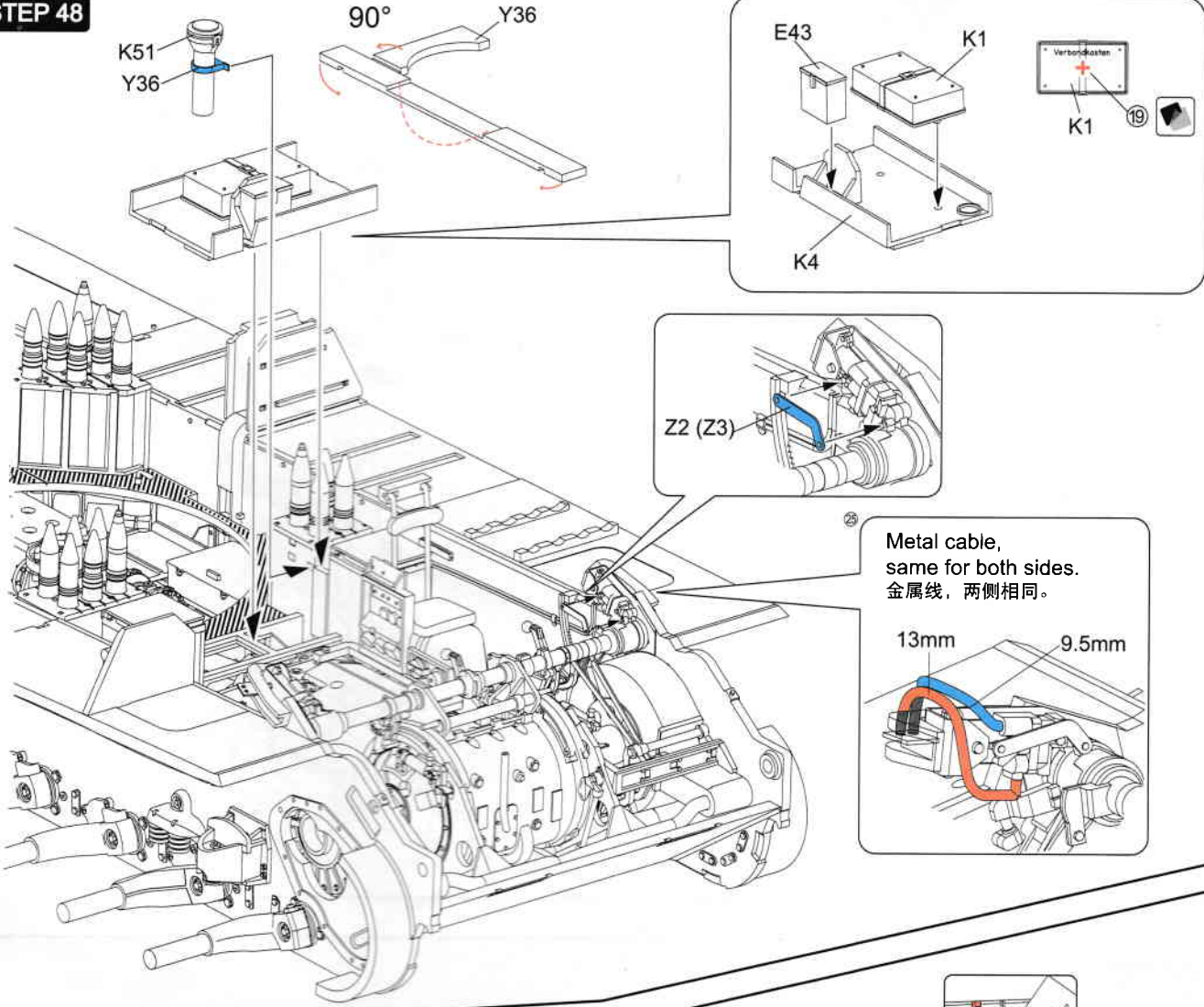
STEP 46



STEP 47



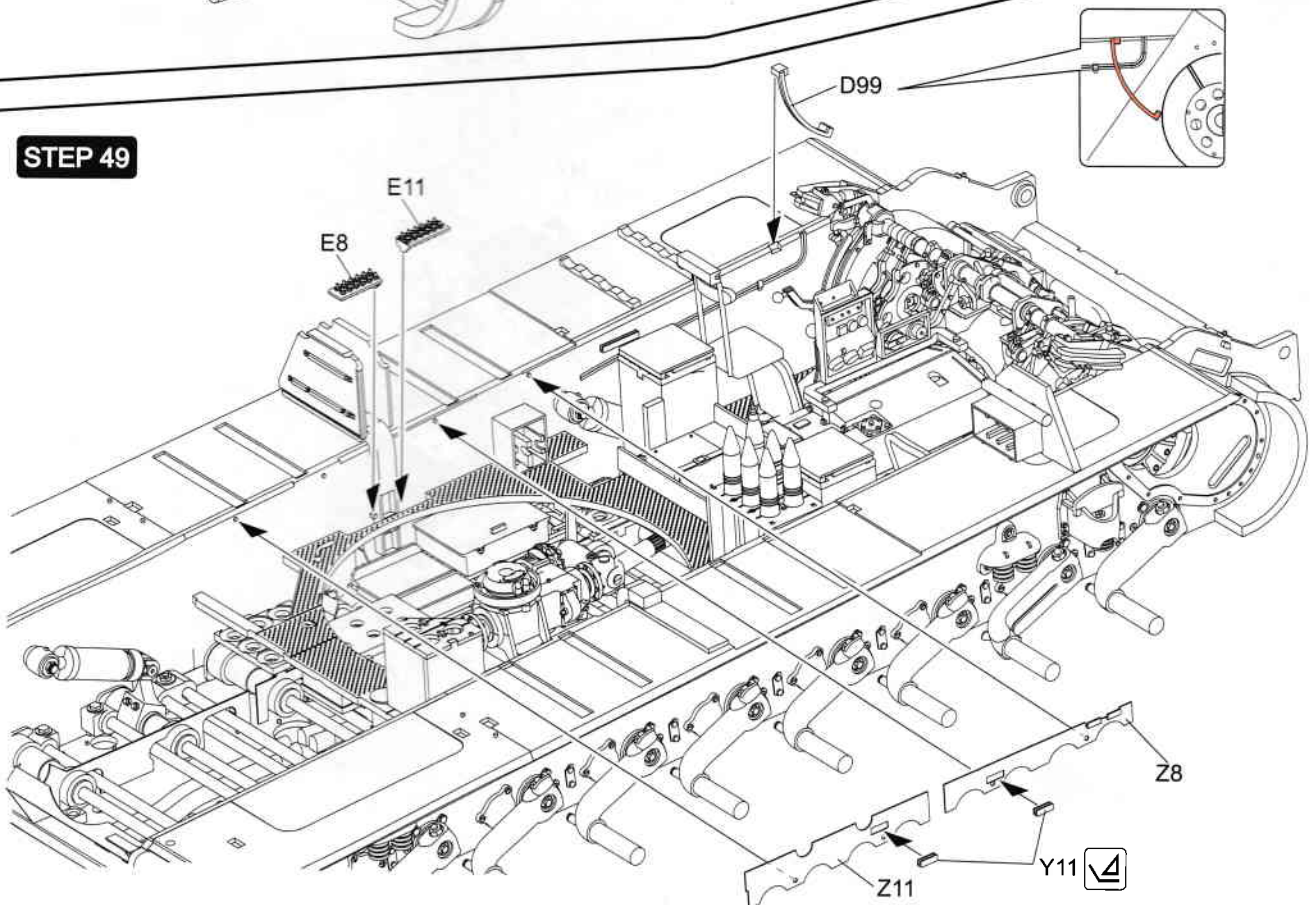
STEP 48

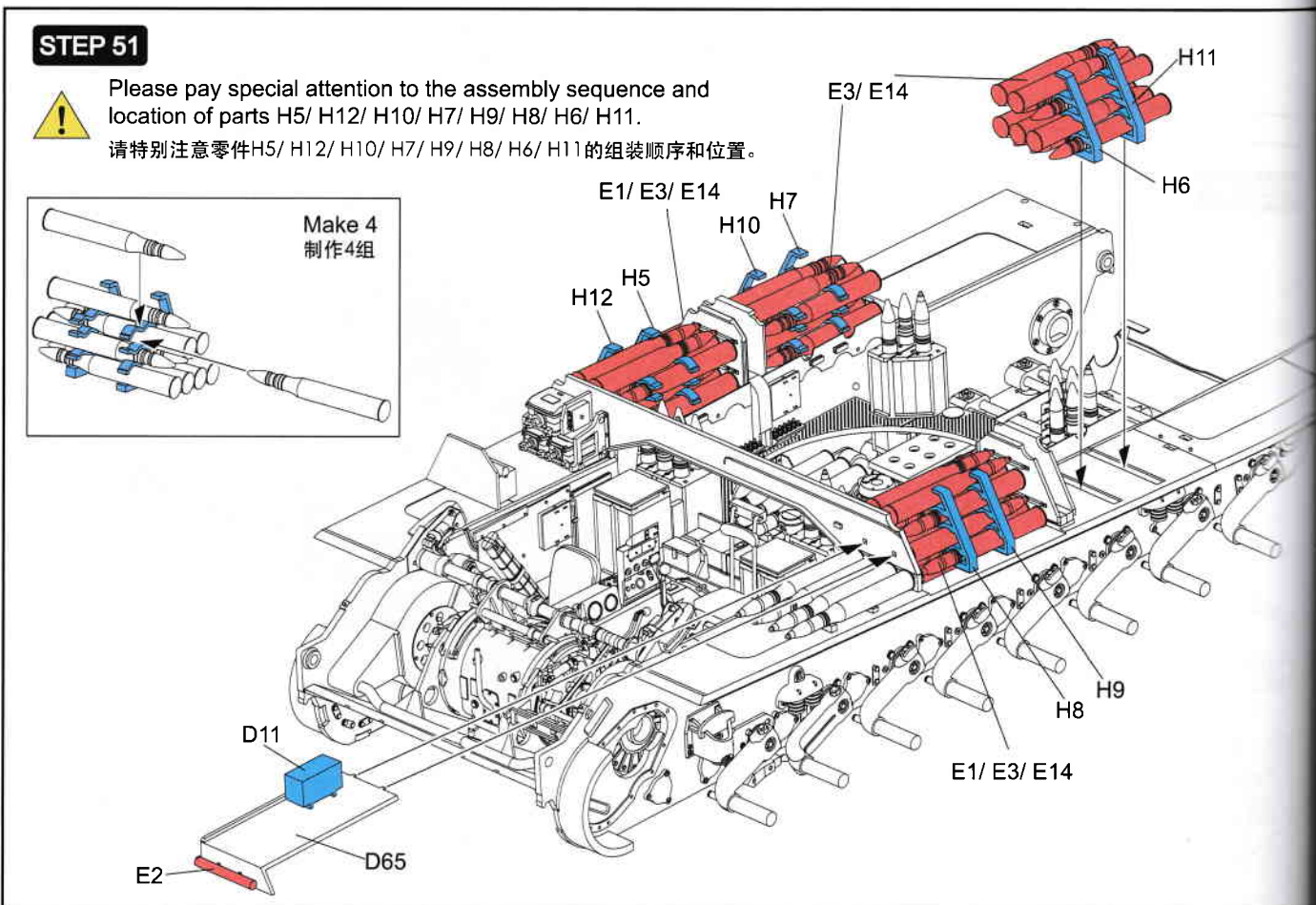
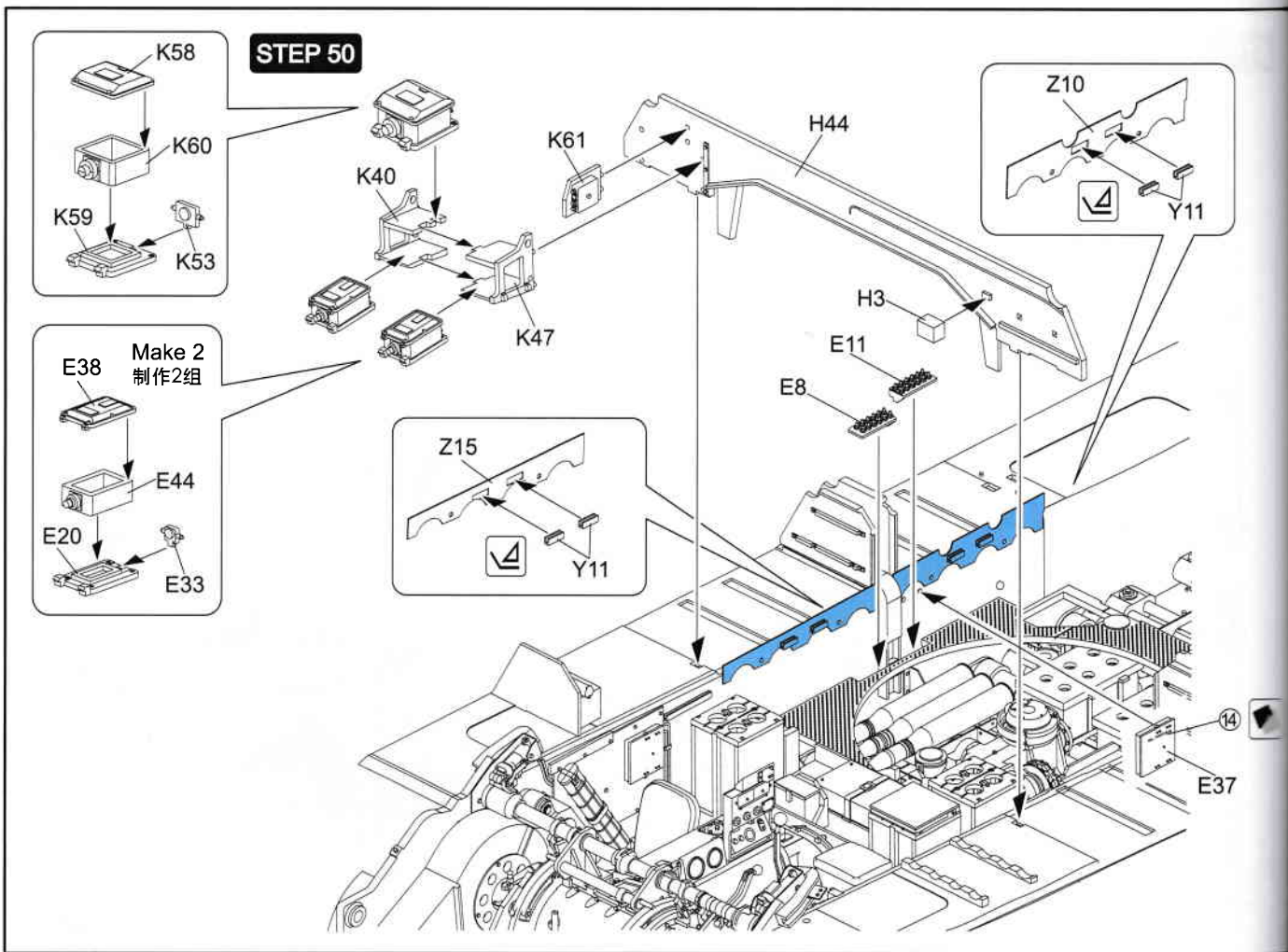


Metal cable,
same for both sides.
金属线，两侧相同。

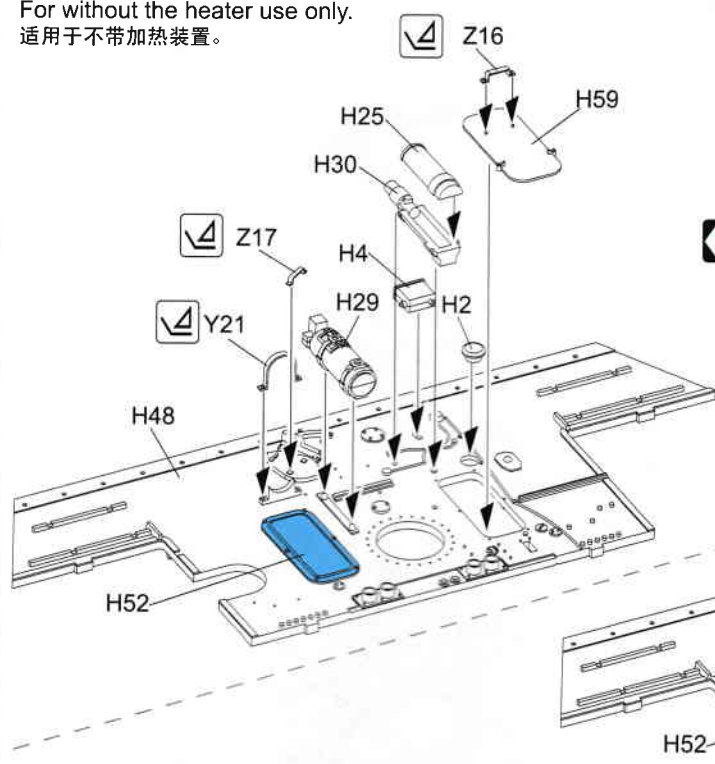
13mm 9.5mm

STEP 49

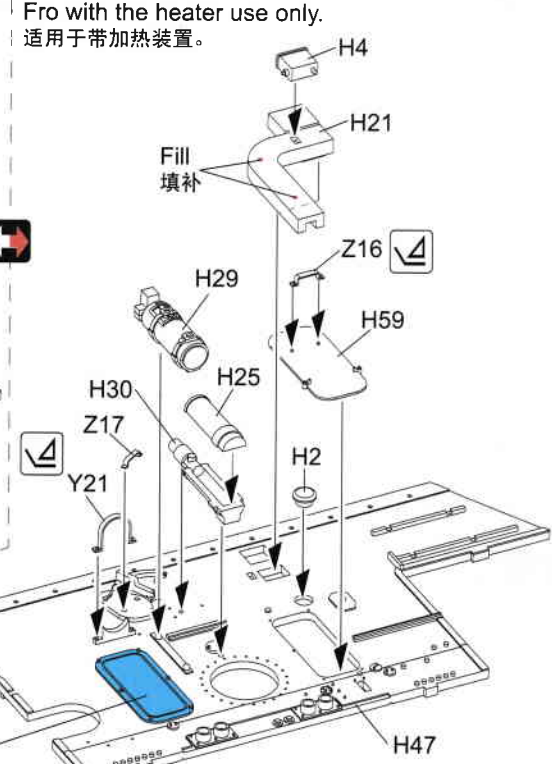




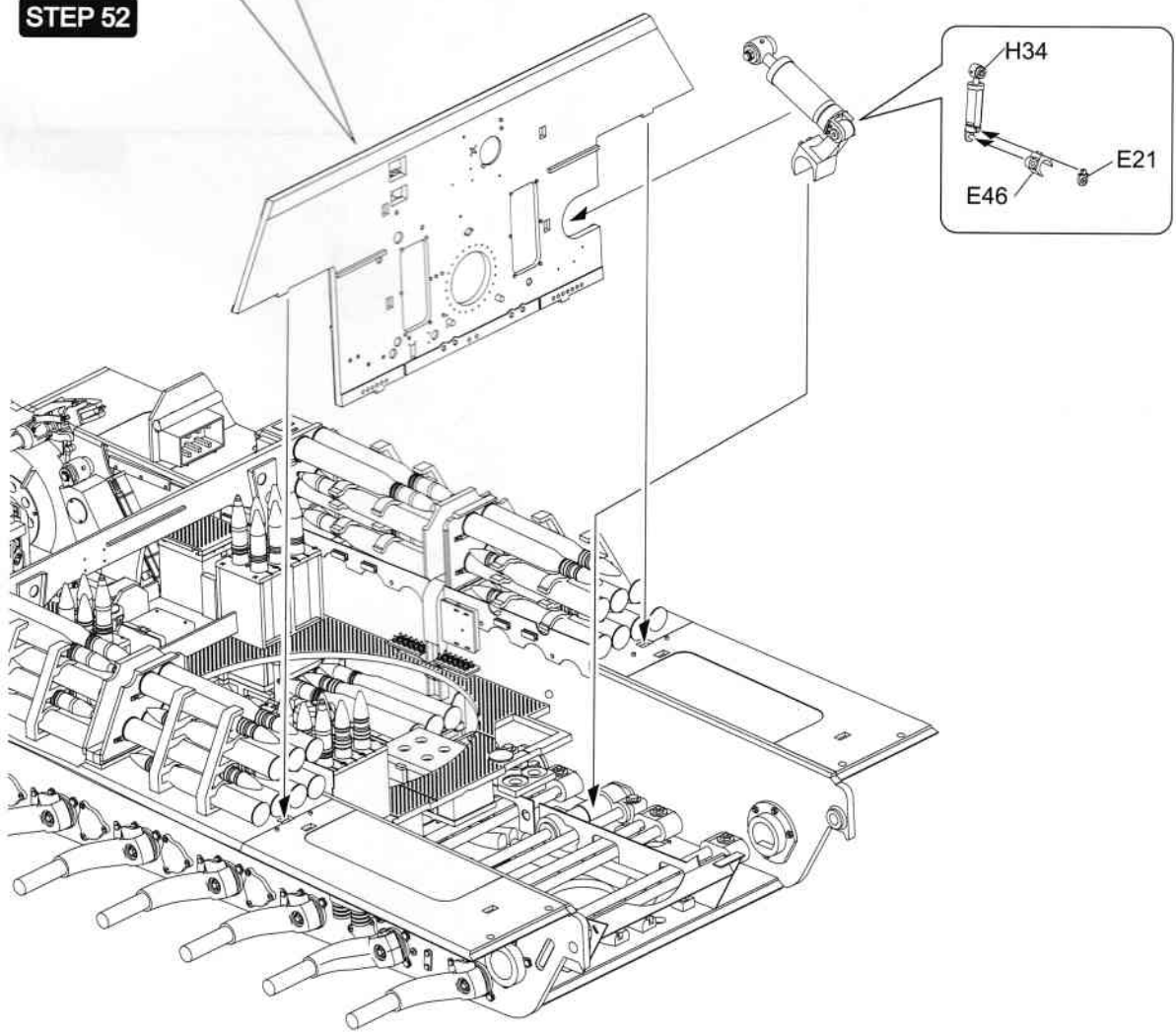
For without the heater use only.
适用于不带加热装置。

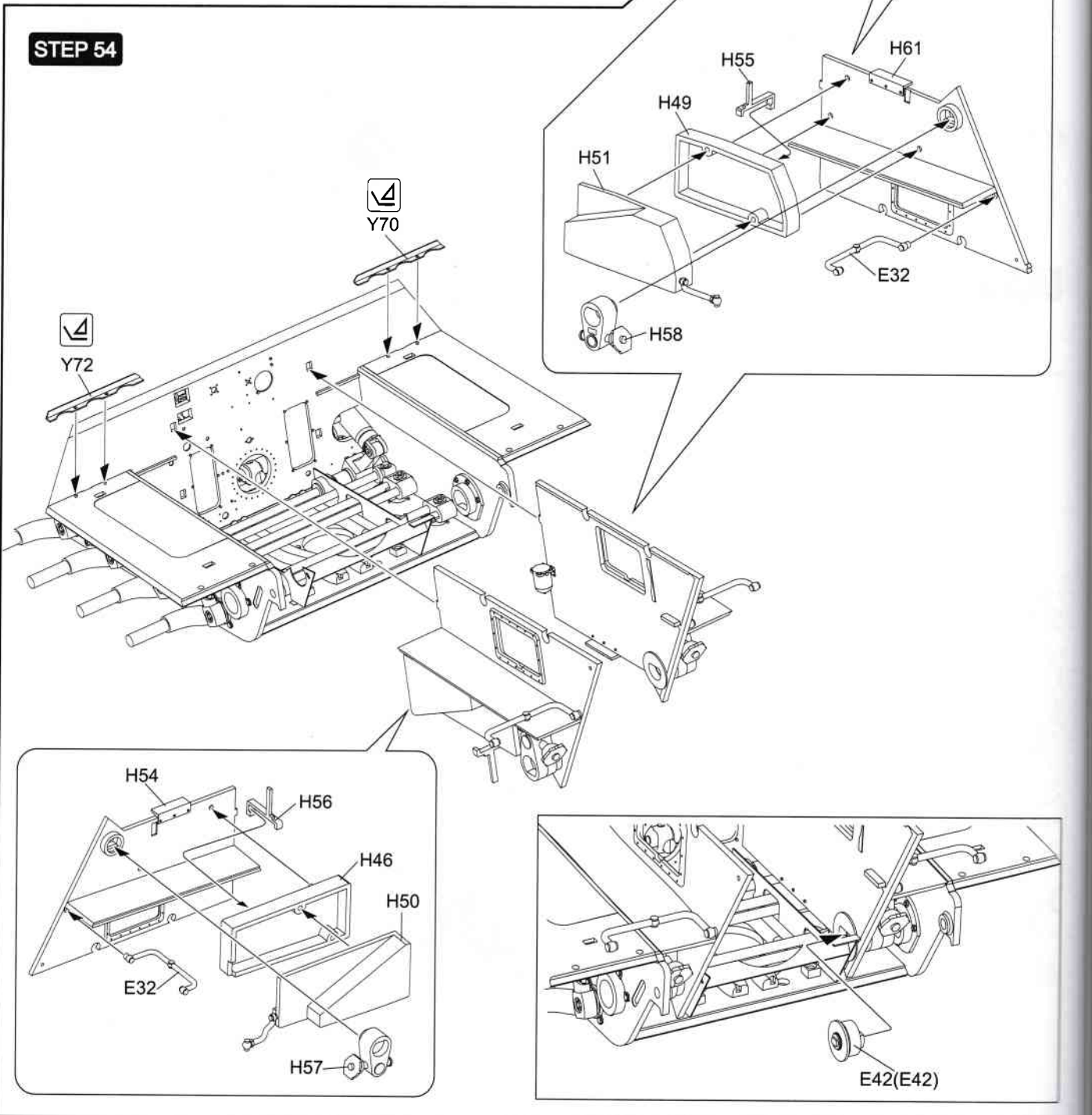
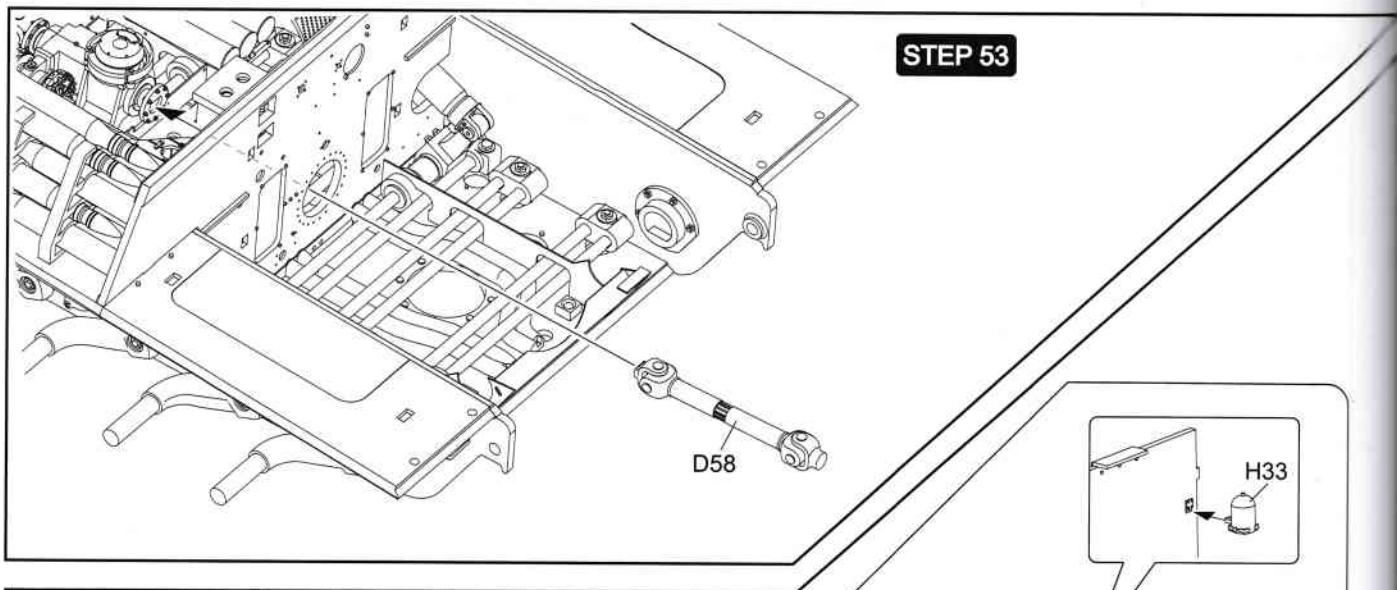


For with the heater use only.
适用于带加热装置。

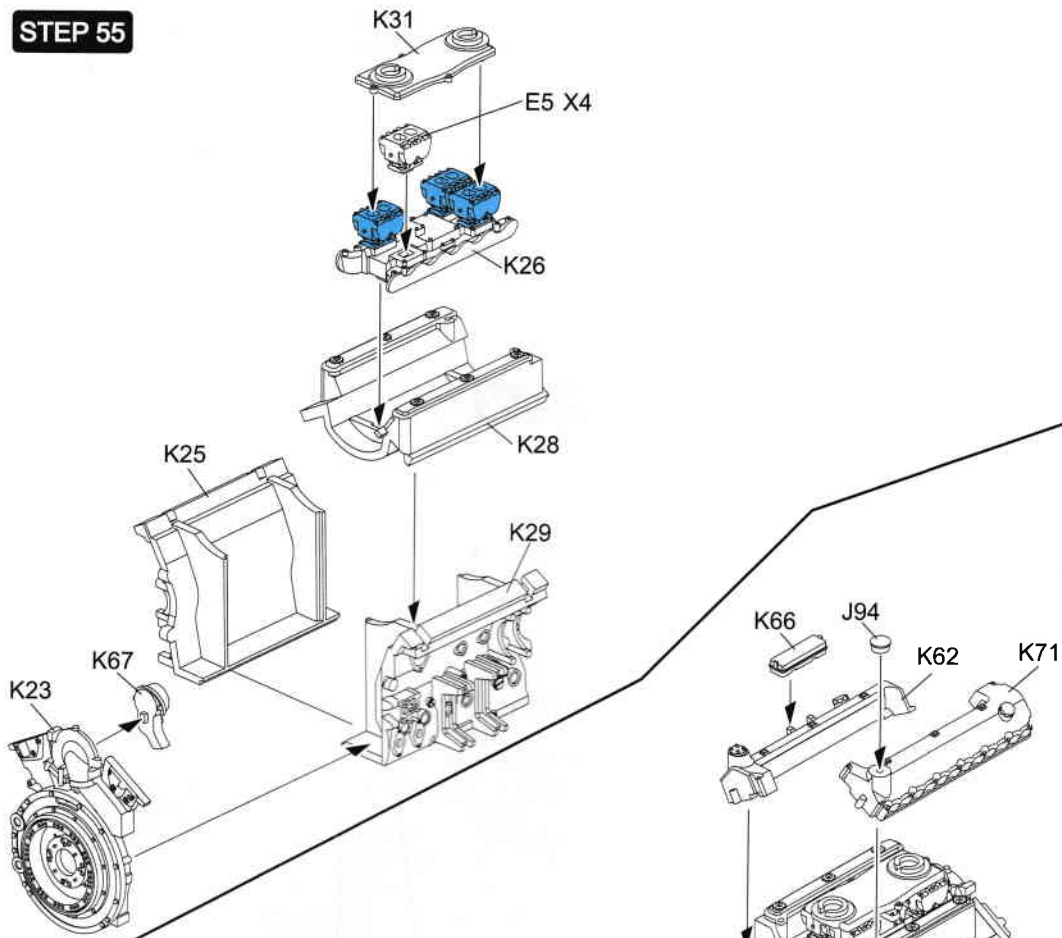


STEP 52

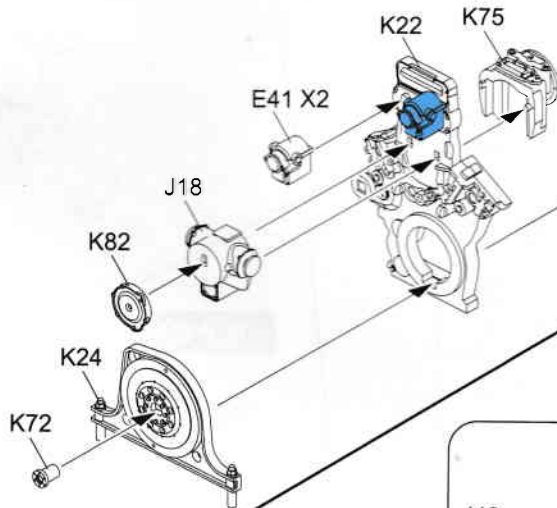




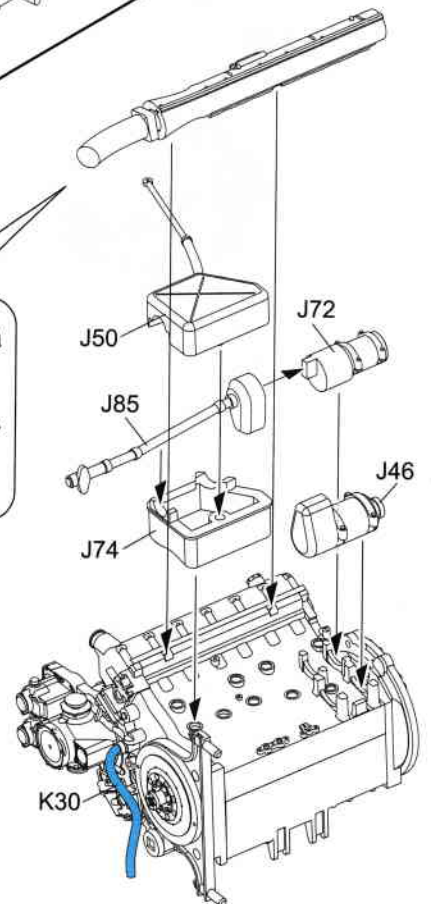
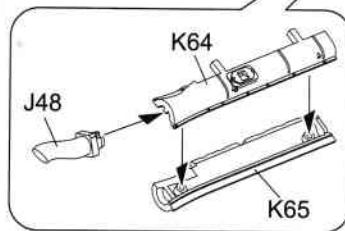
STEP 55



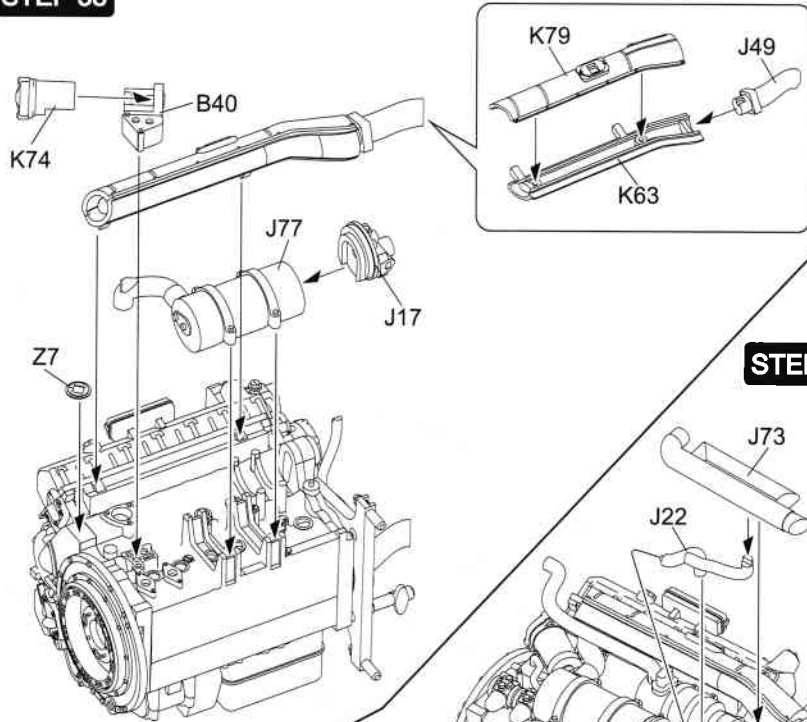
STEP 56



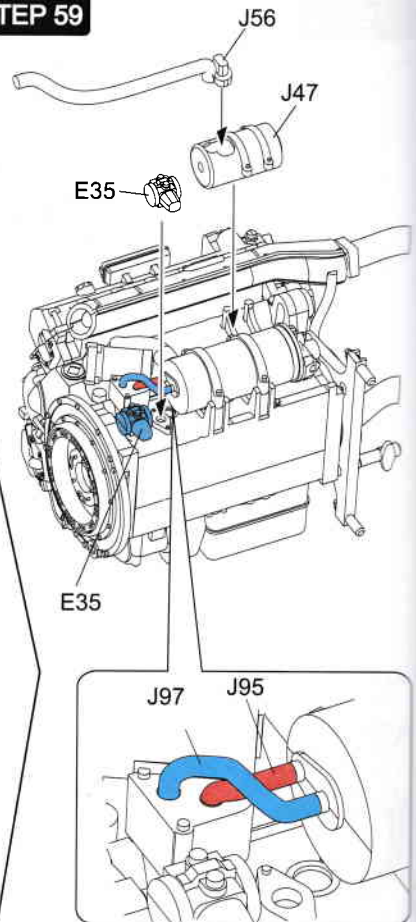
STEP 57



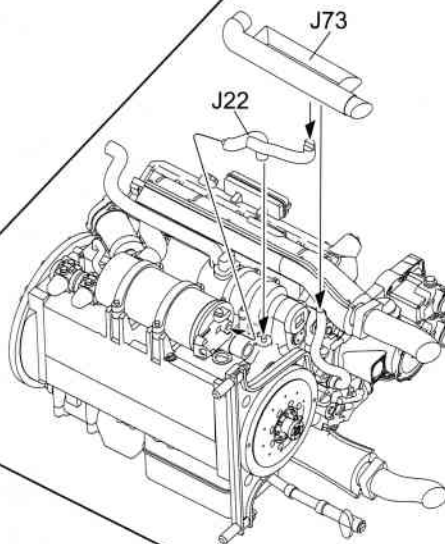
STEP 58



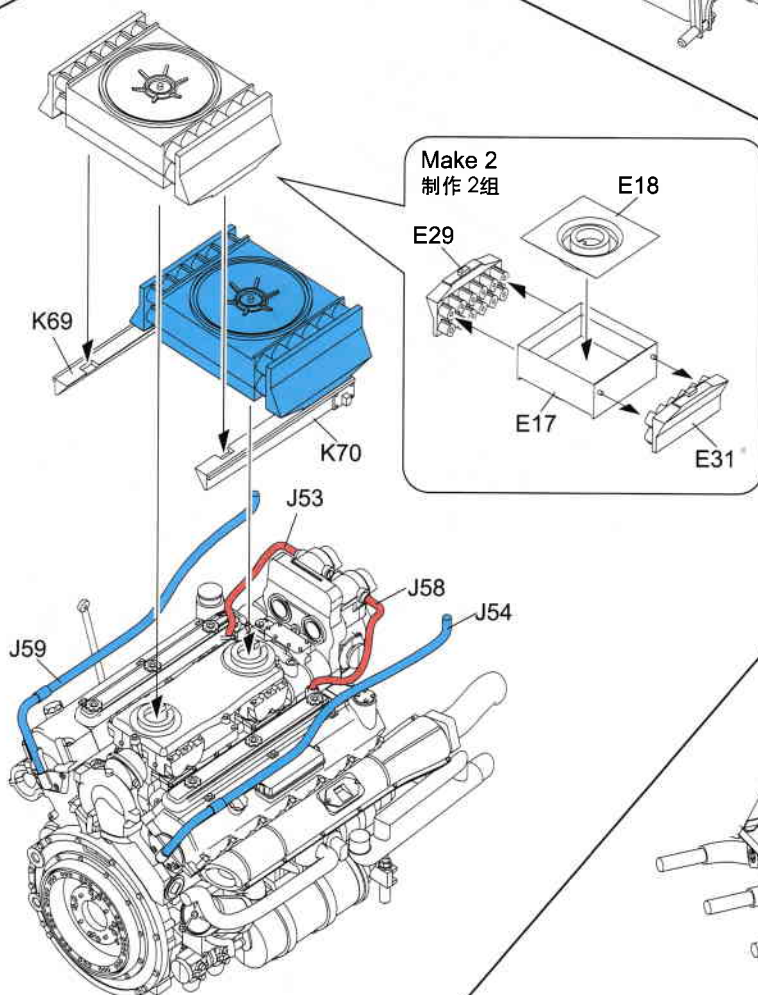
STEP 59



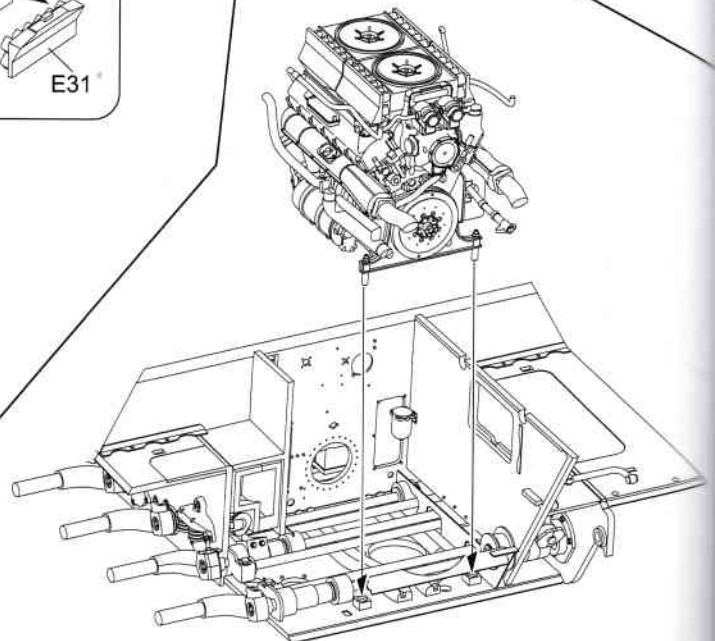
STEP 60



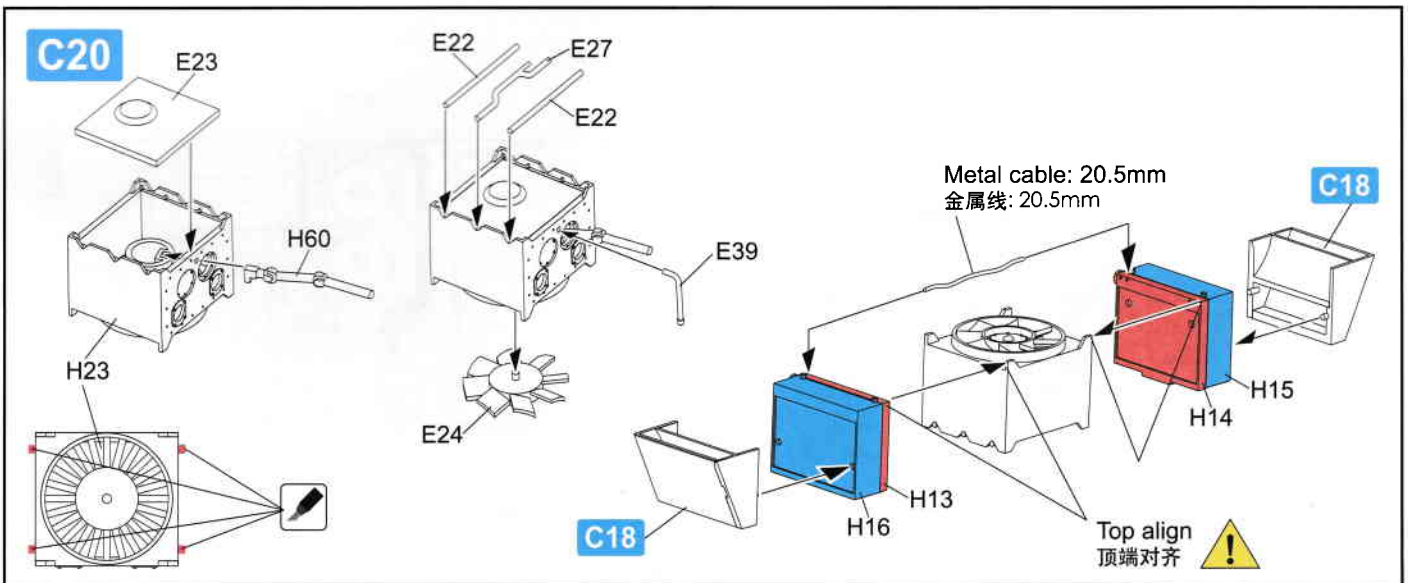
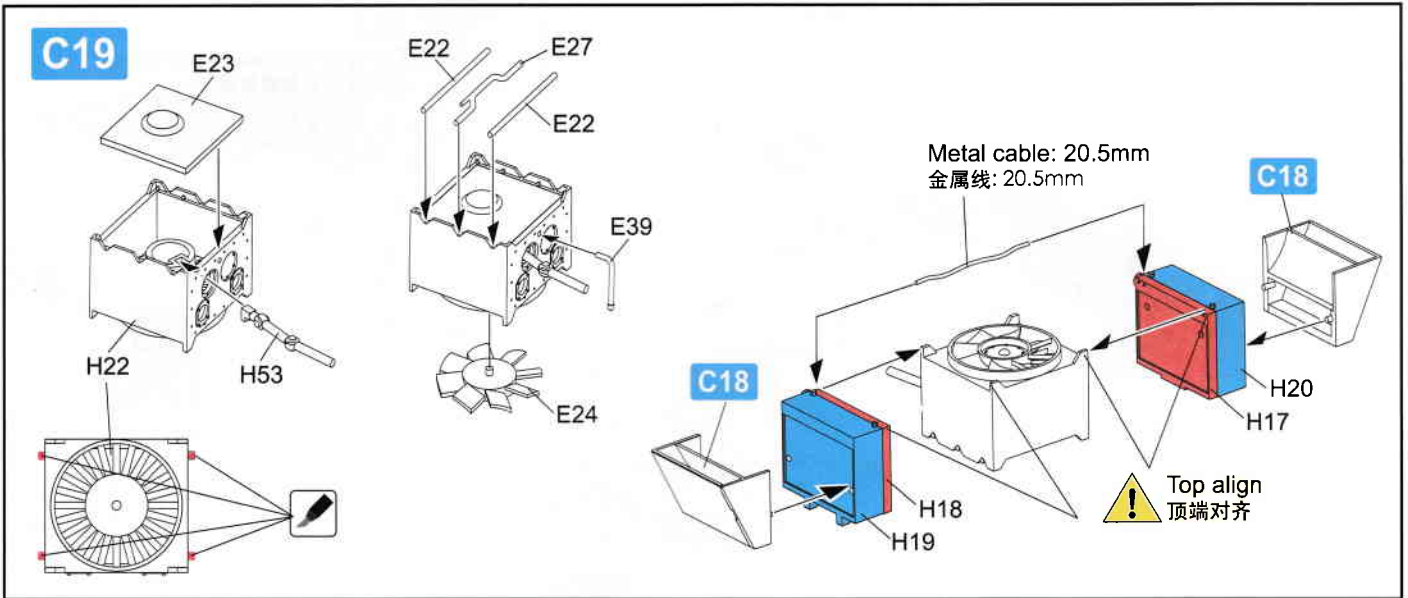
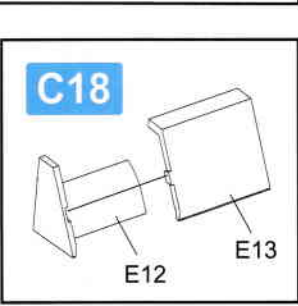
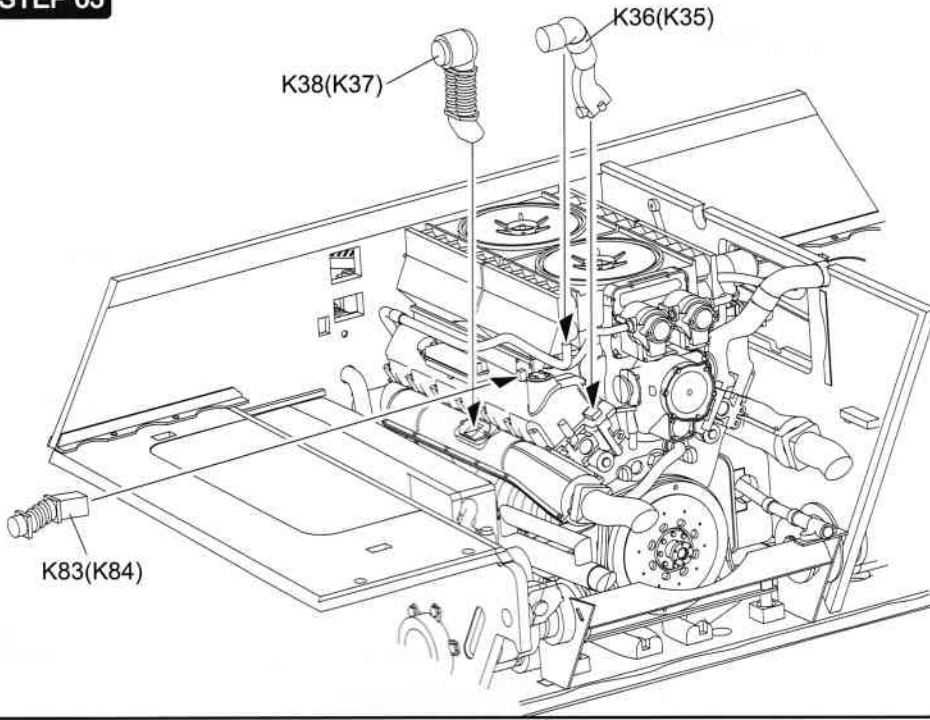
STEP 61



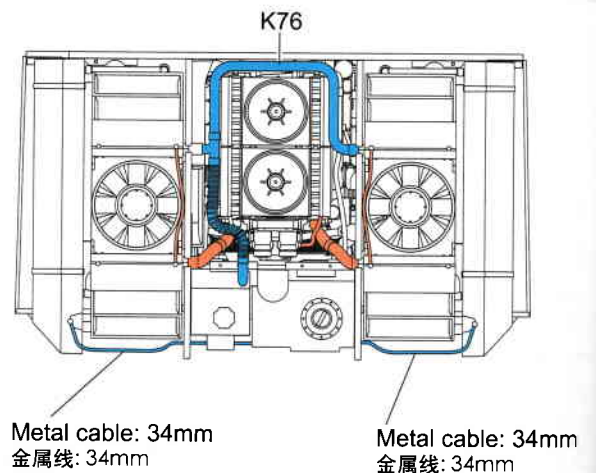
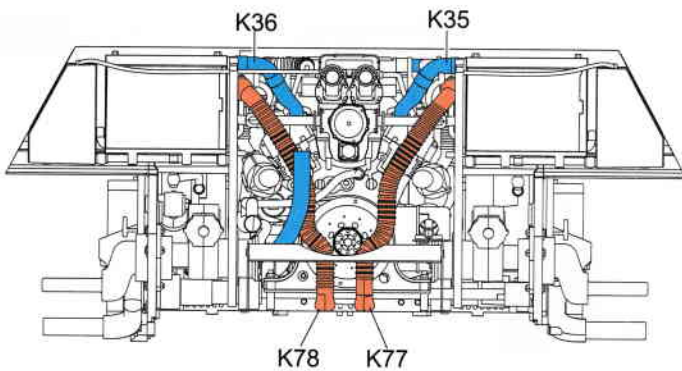
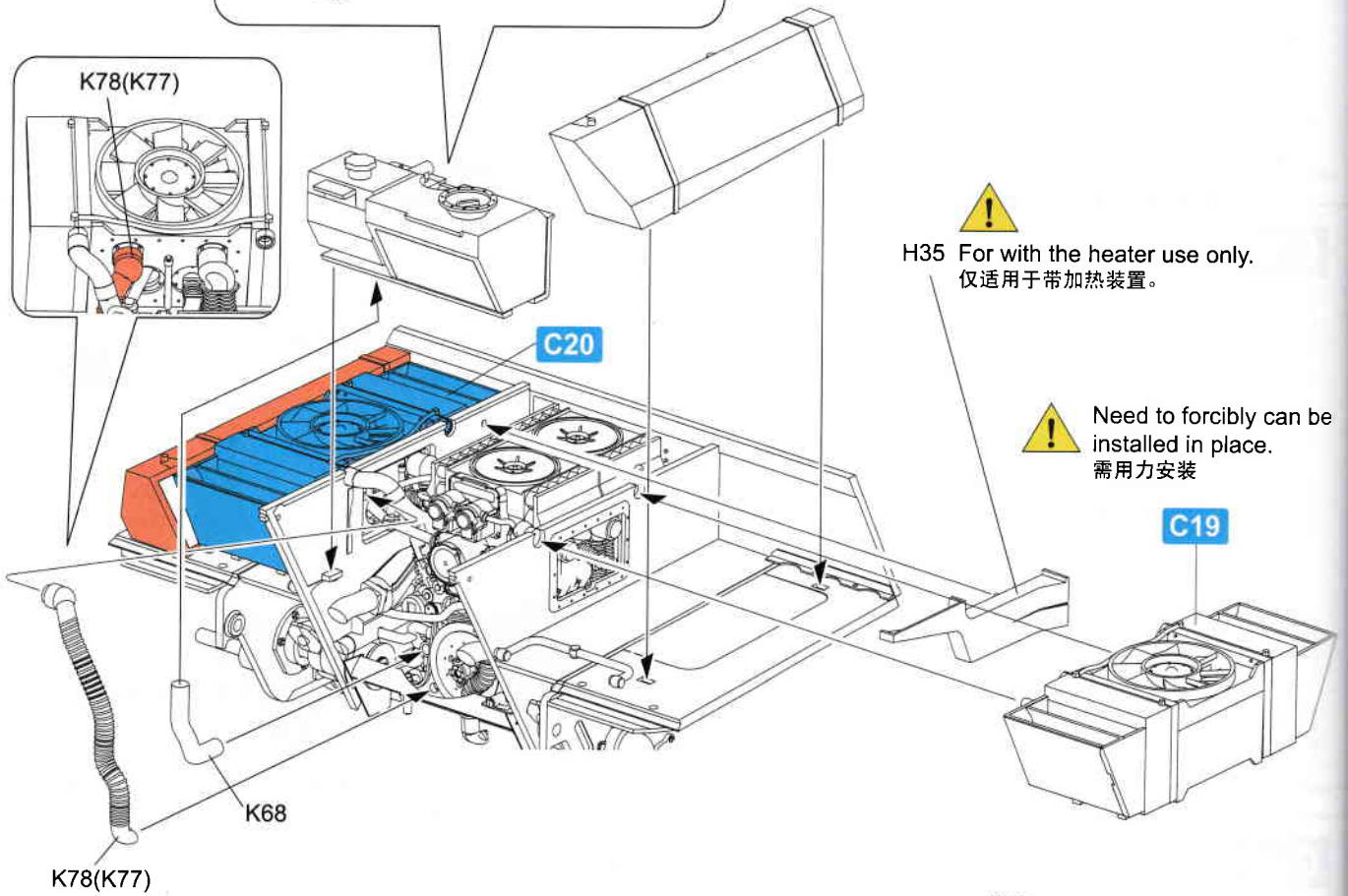
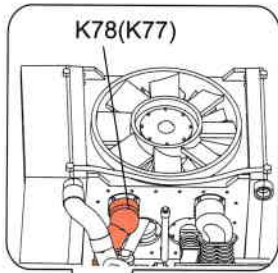
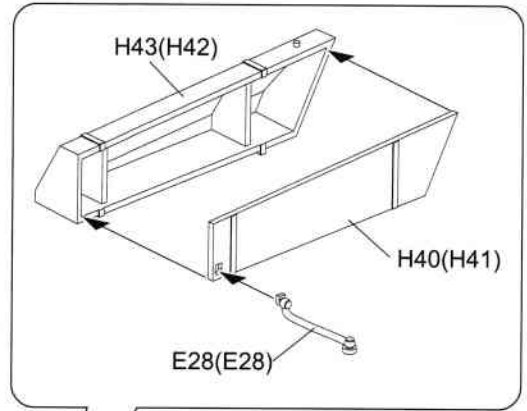
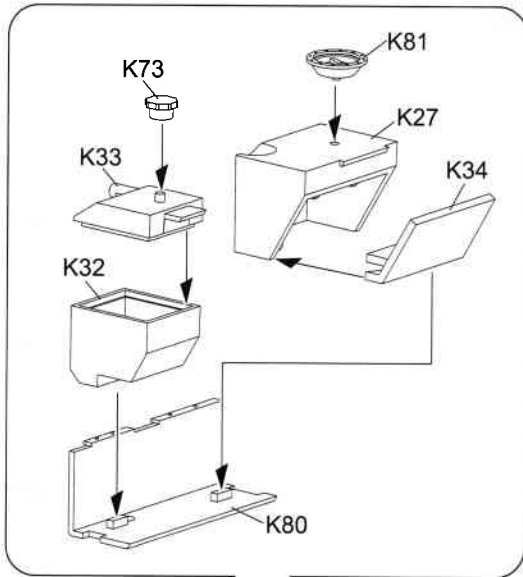
STEP 62



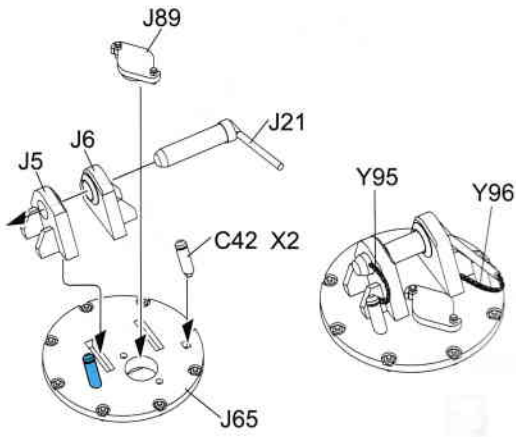
STEP 63



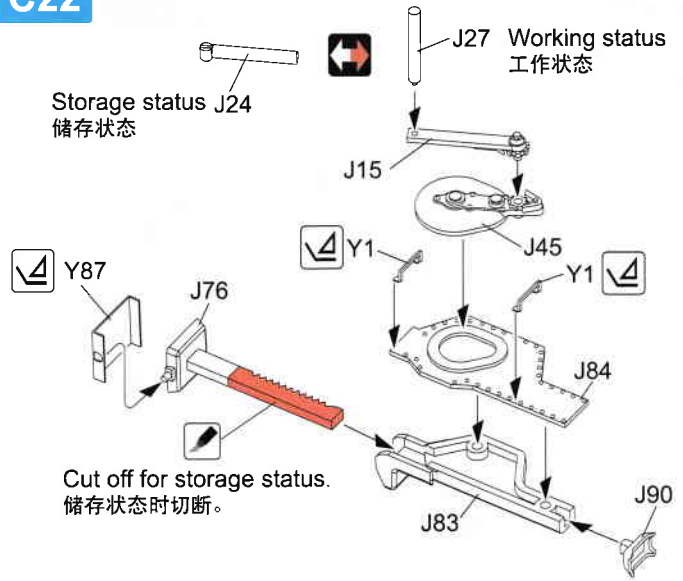
STEP 64



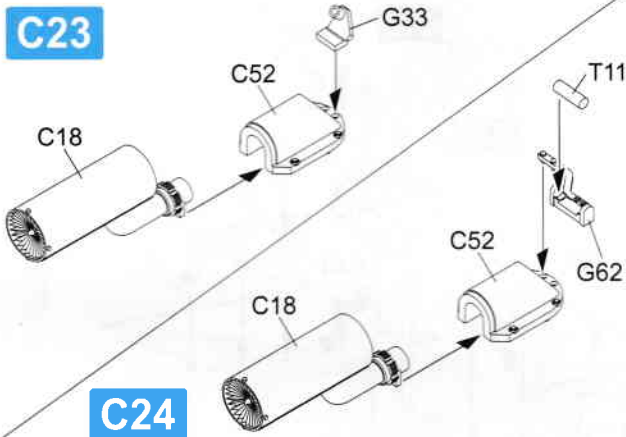
C21



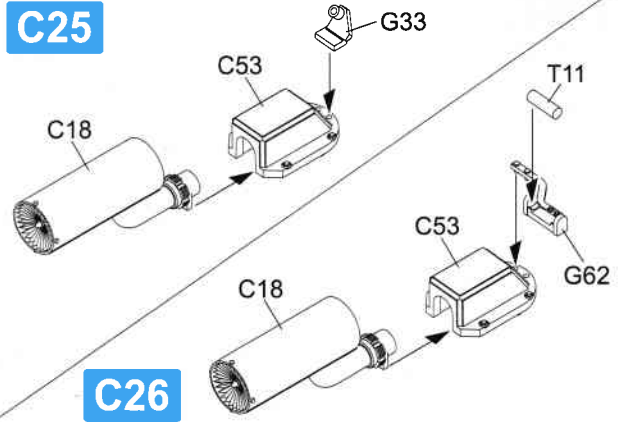
C22



C23



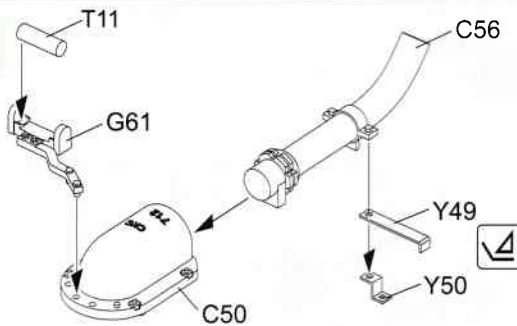
C25



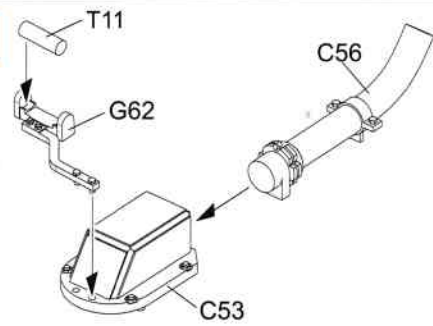
C24

C26

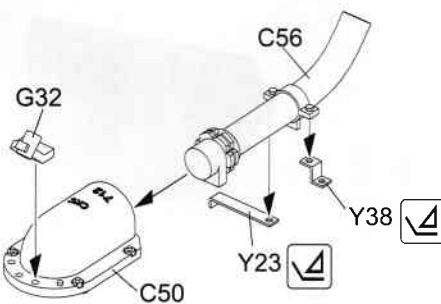
C27



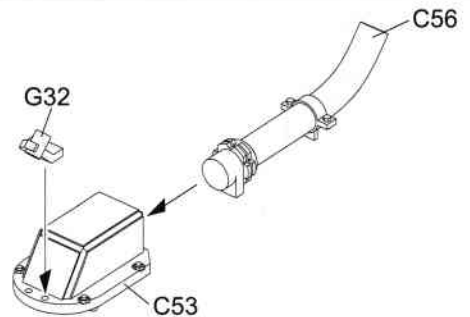
C28



C29



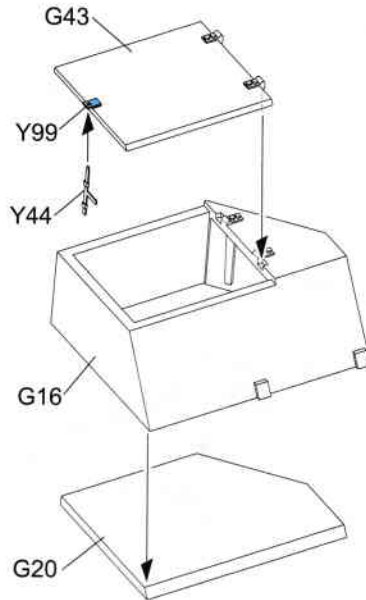
C30



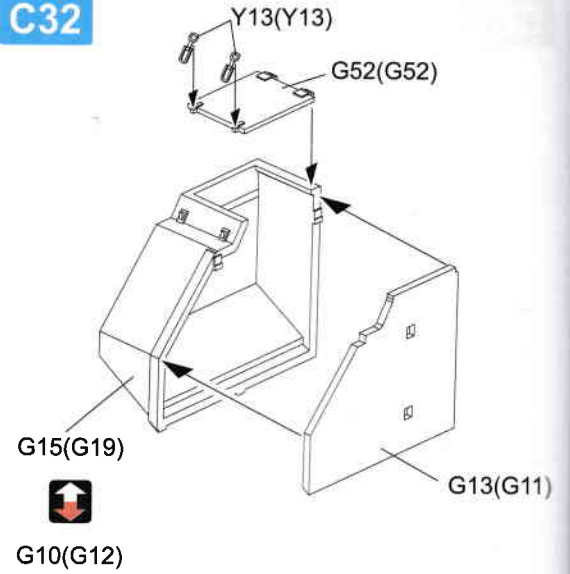
C31



For with the night vision device use only.
仅适用于带夜视仪版本。

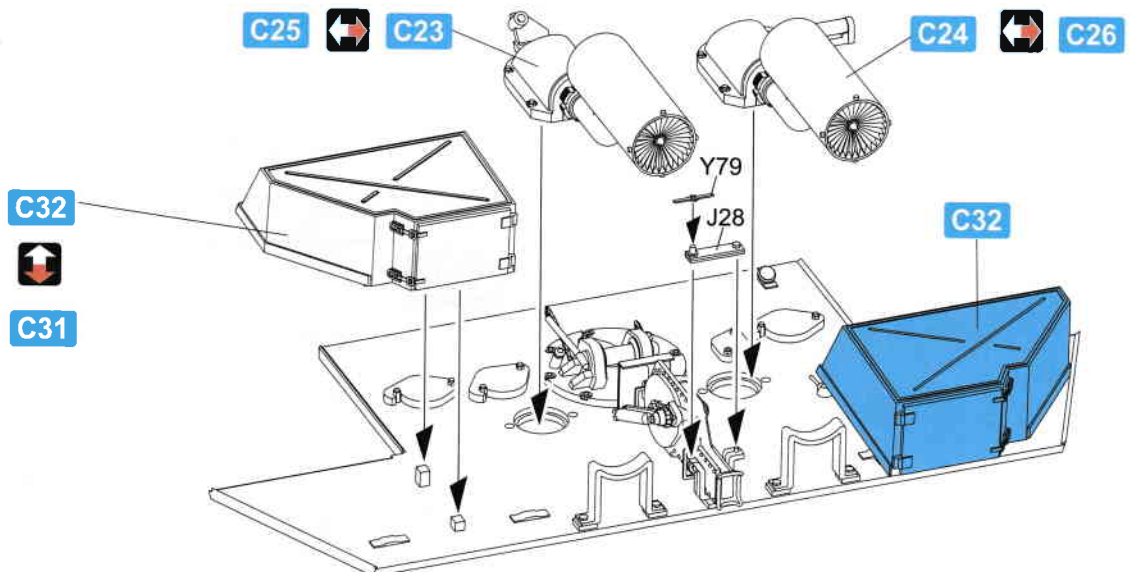
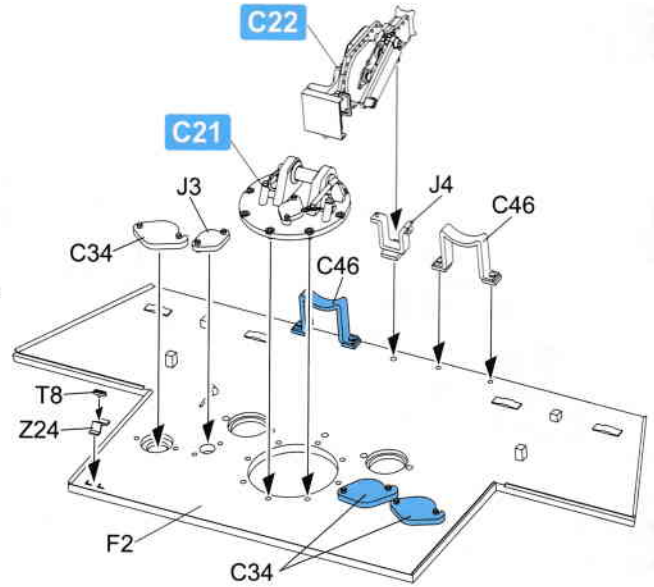
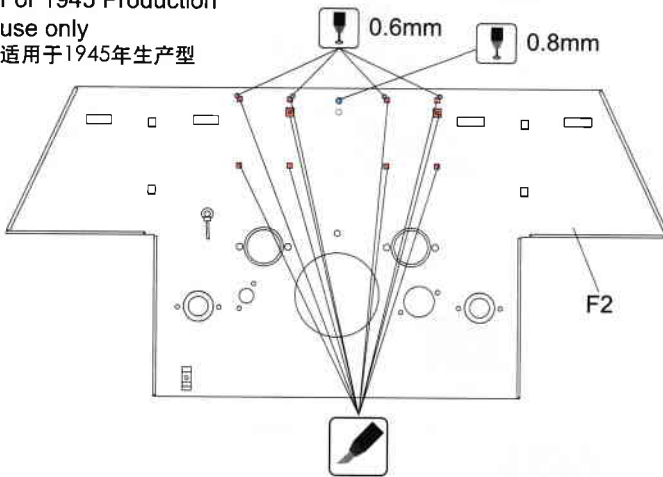


C32



STEP 65

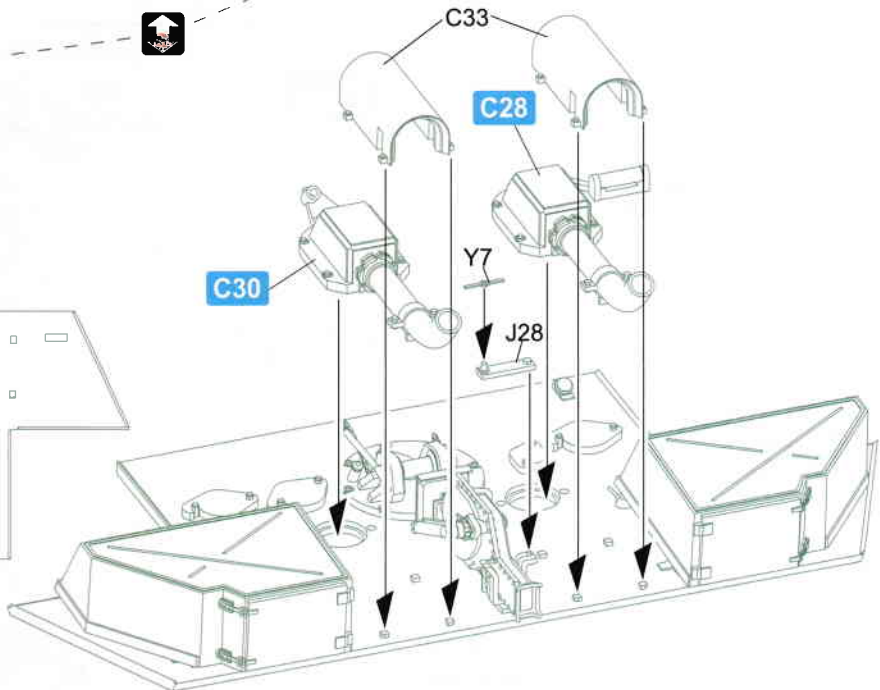
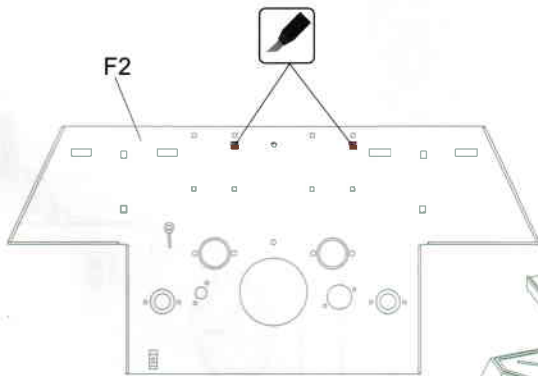
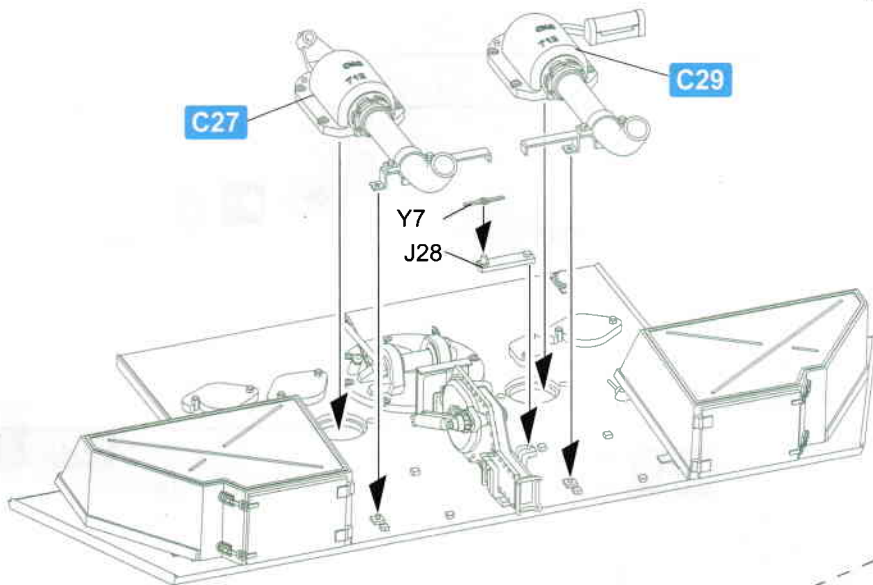
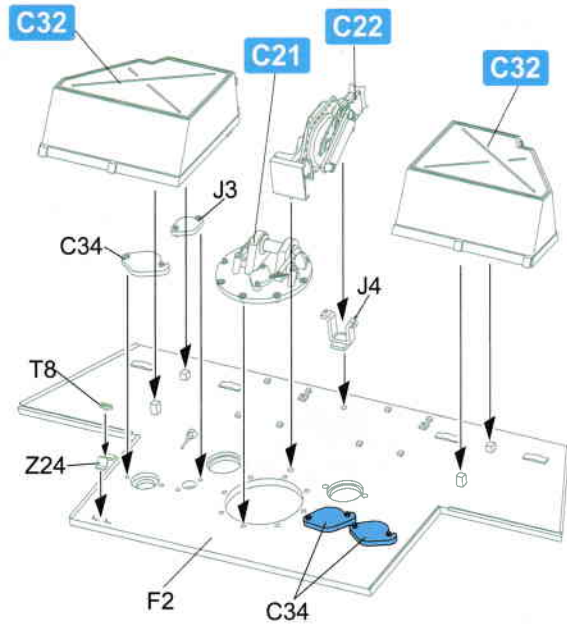
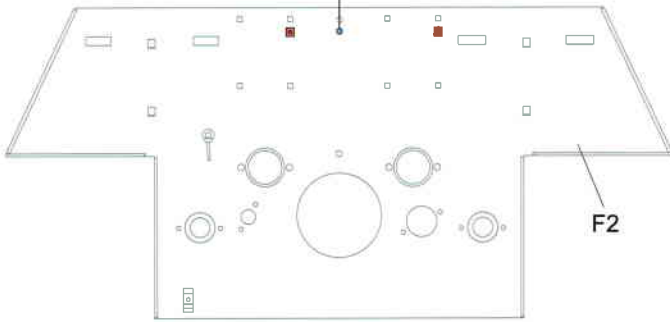
For 1945 Production use only
适用于1945年生产型



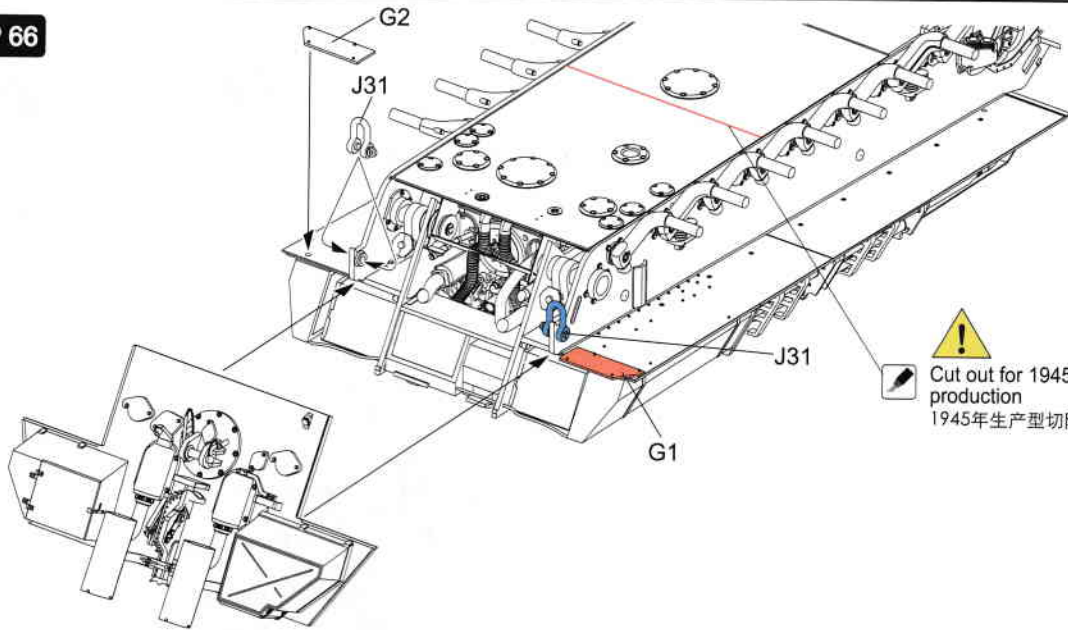


For 1944 prudction use only.
 仅适用于1944年生产型。

0.8mm



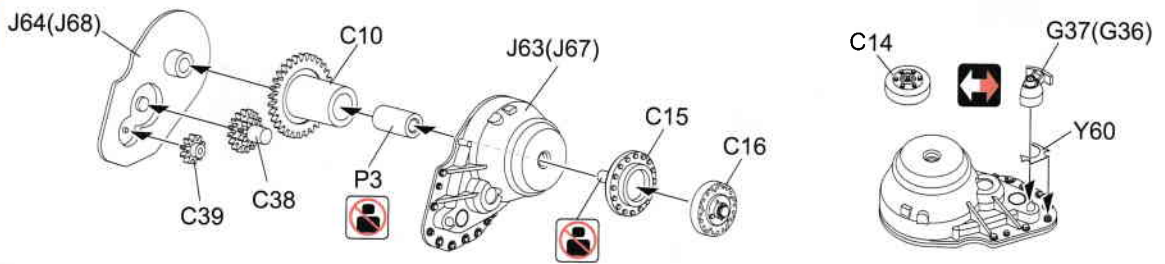
STEP 66



Cut out for 1945 production
1945年生产型切除

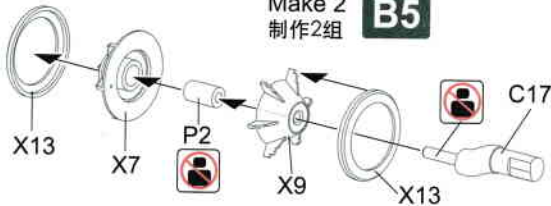
C33

Make 2
制作2组



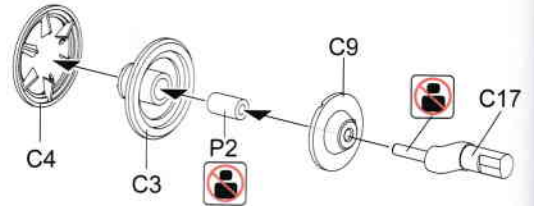
B5

Make 2
制作2组

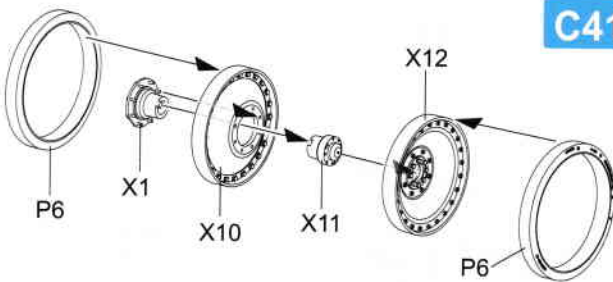


C35

Make 2
制作2组

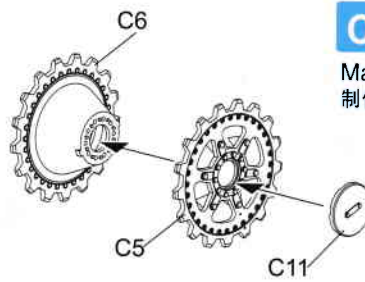


C41



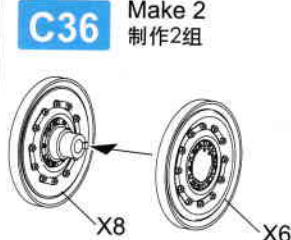
C42

Make 2
制作2组

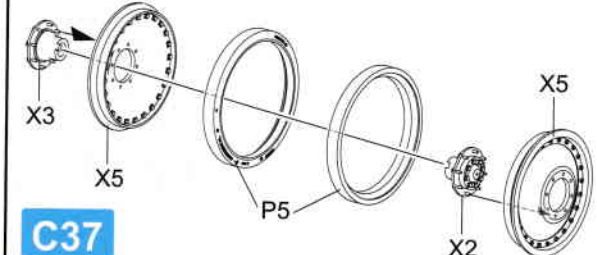


C36

Make 2
制作2组

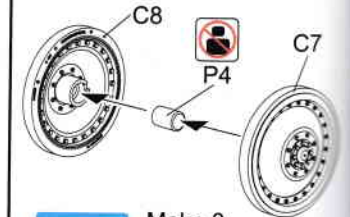


C37

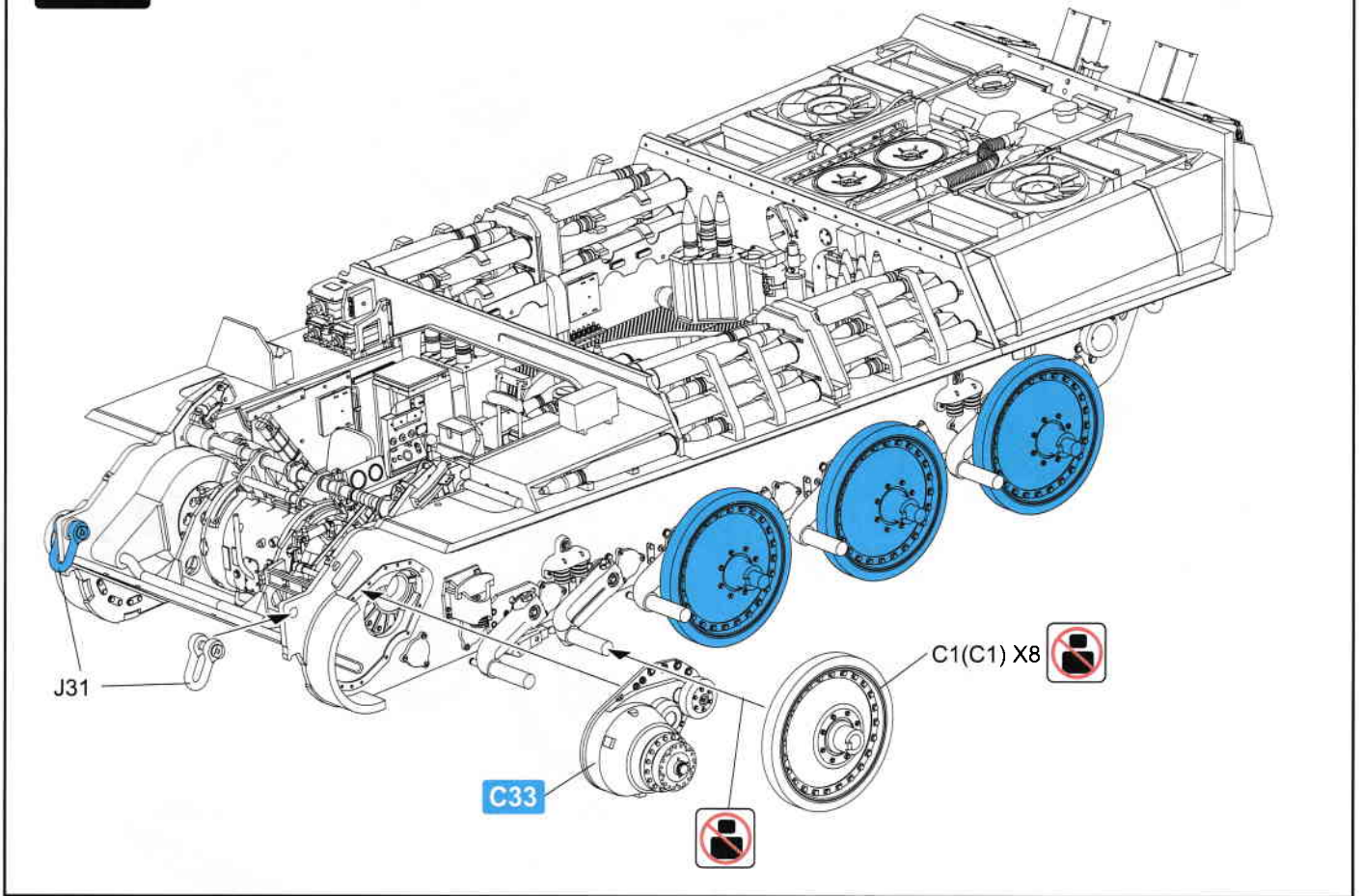


C38

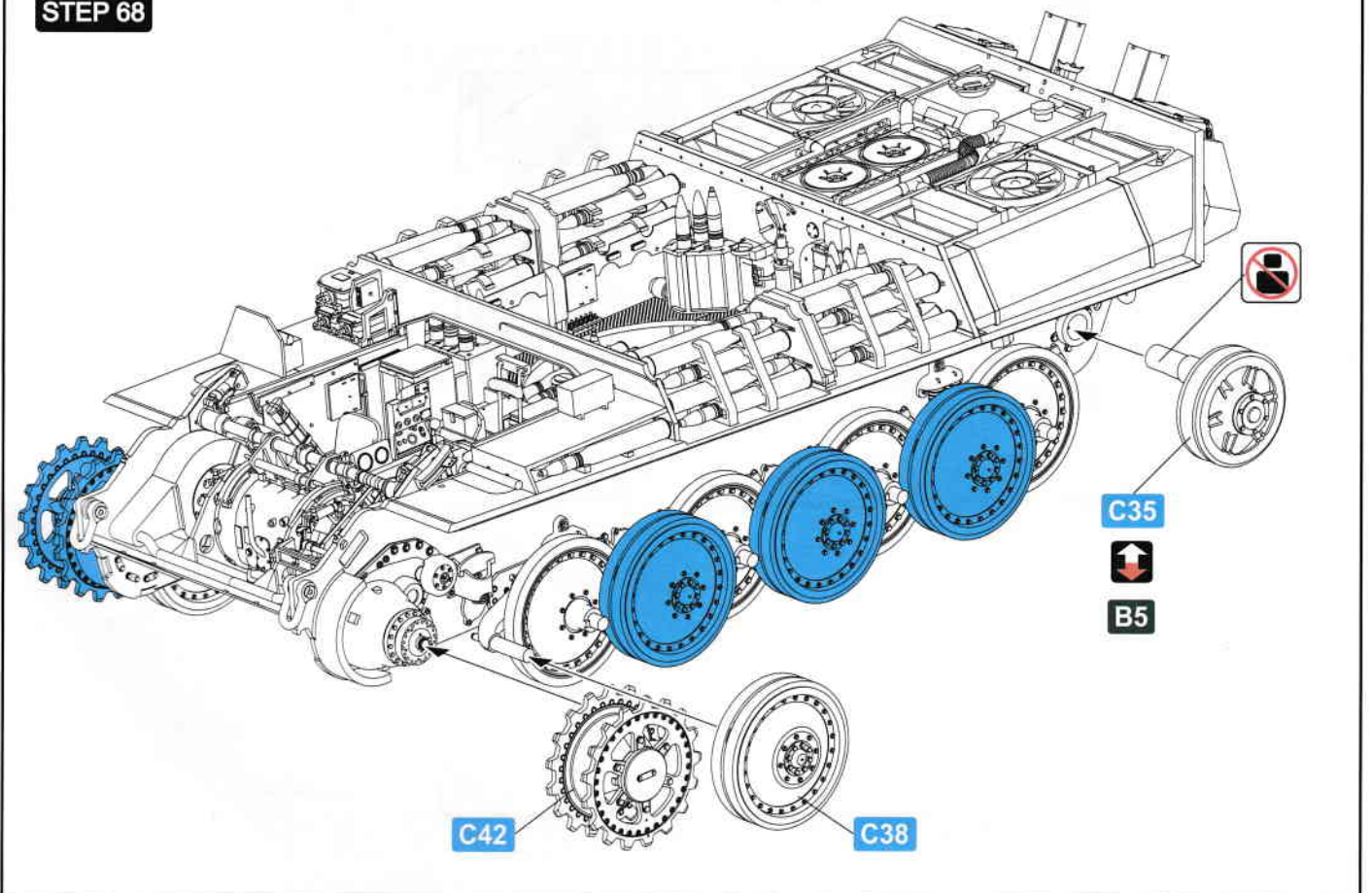
Make 8
制作8组



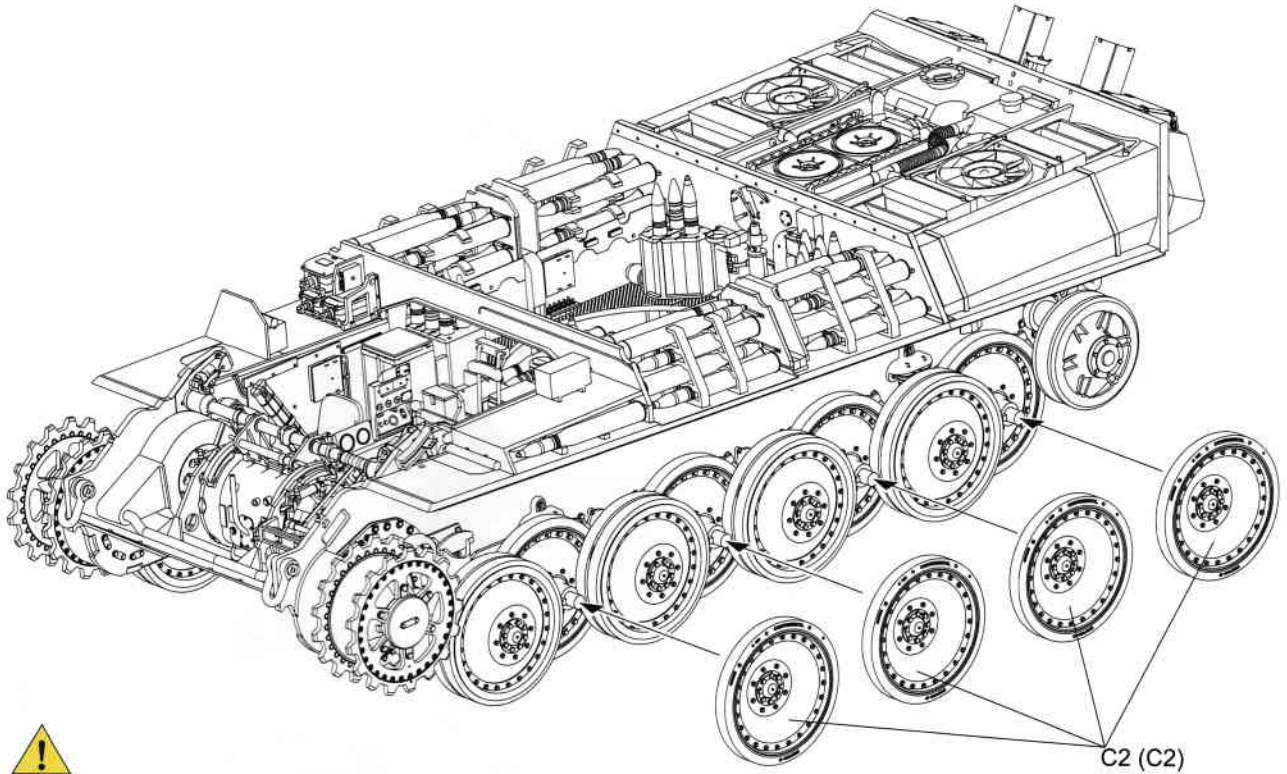
STEP 67



STEP 68



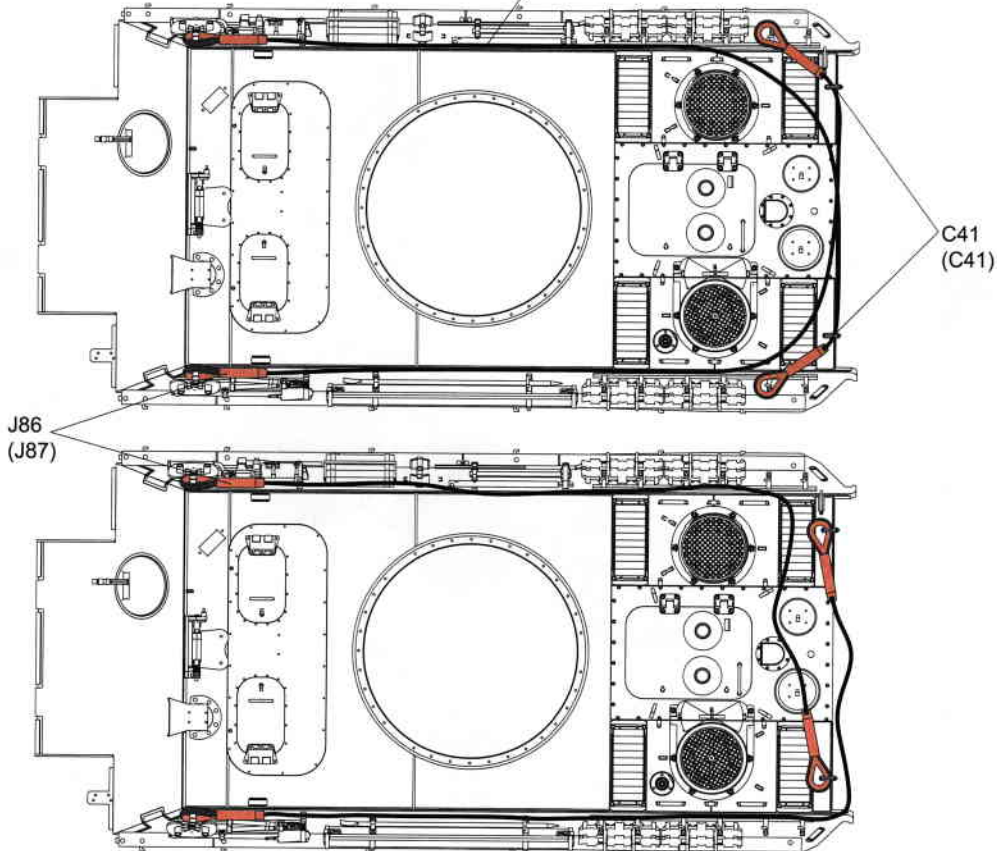
STEP 70



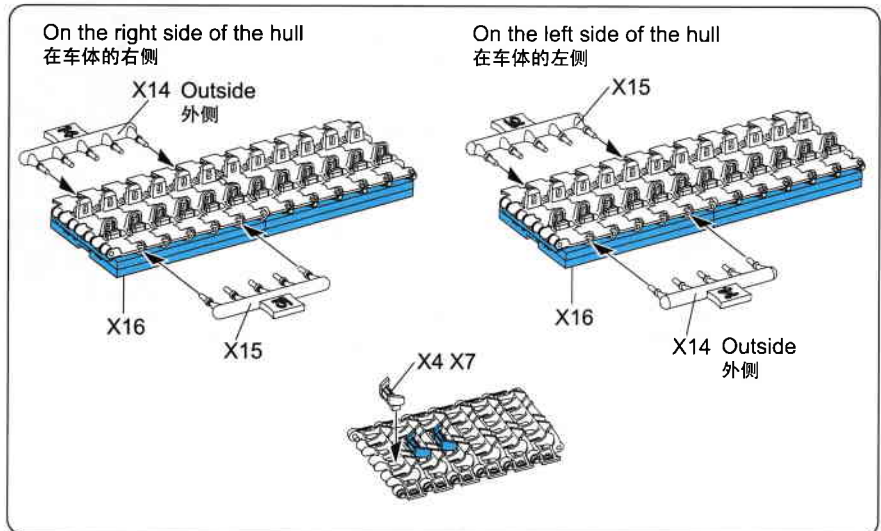
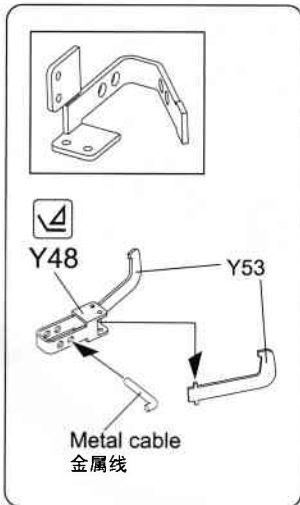
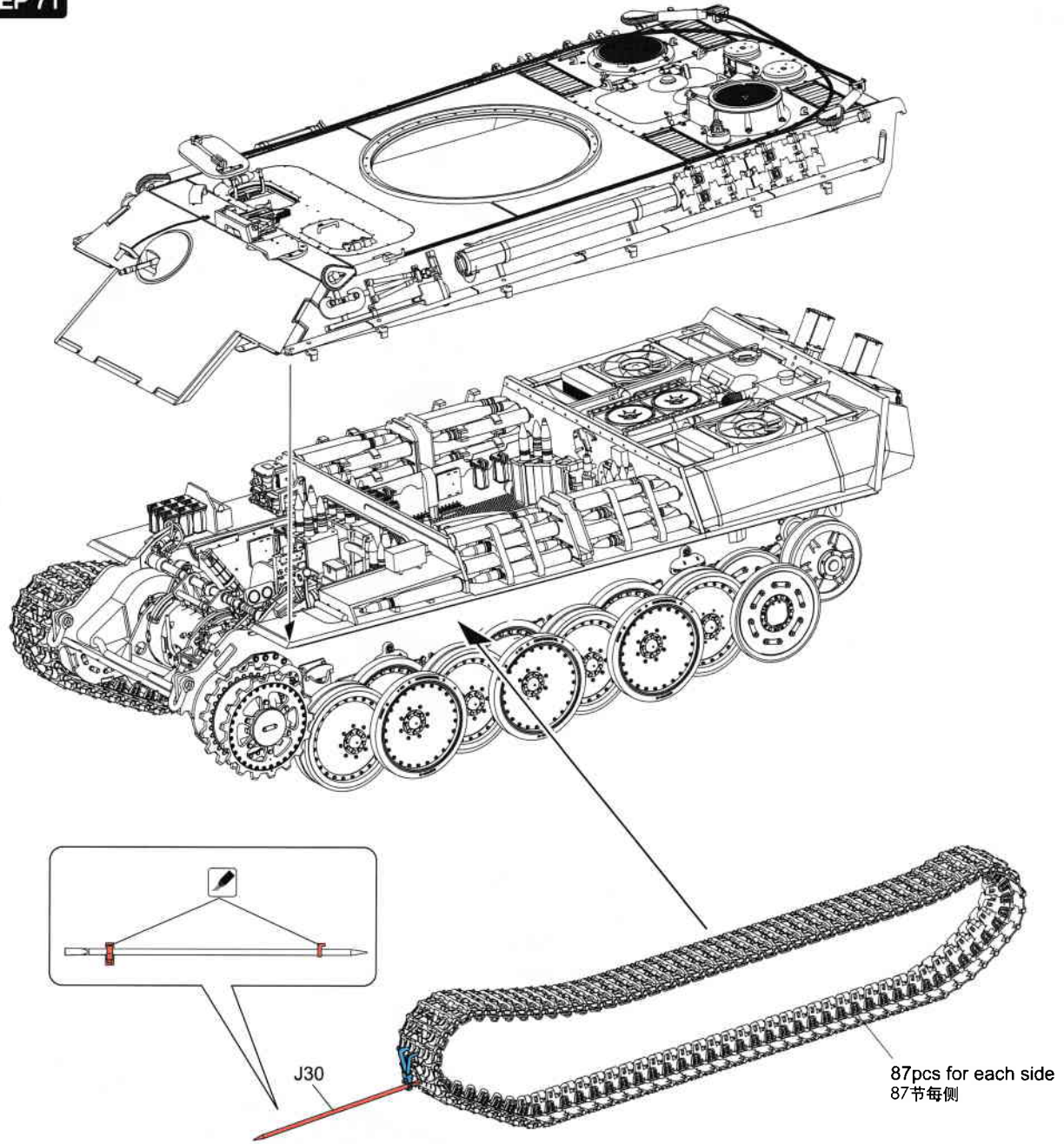
Please provide a little bit cement for the outside of the road wheels, and turn round the wheels within 10 minutes, in order to avoid the wheels fixed to with the axle.
外侧路轮少量使用粘接剂并在10分钟内转动，以免路轮固定在车轴上。

2 assembly styles of metal cable.
缆绳的2种装配样式

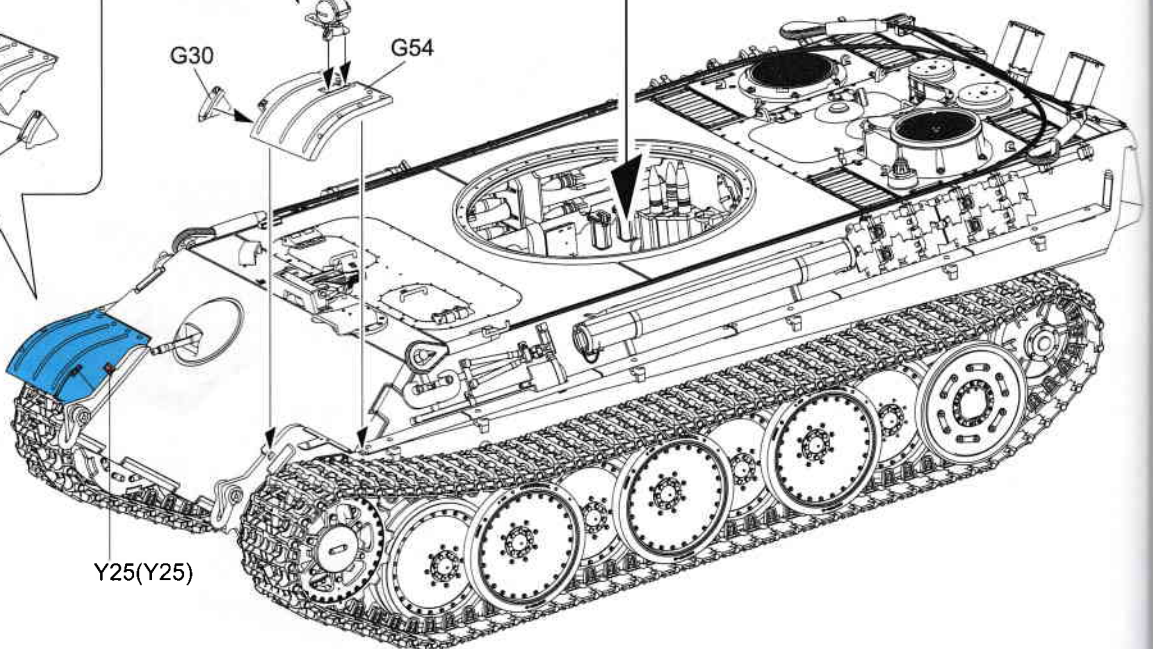
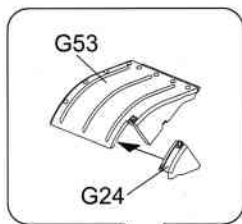
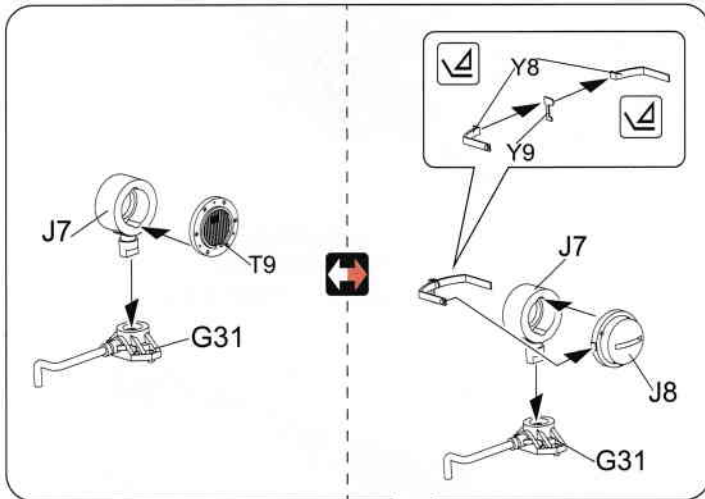
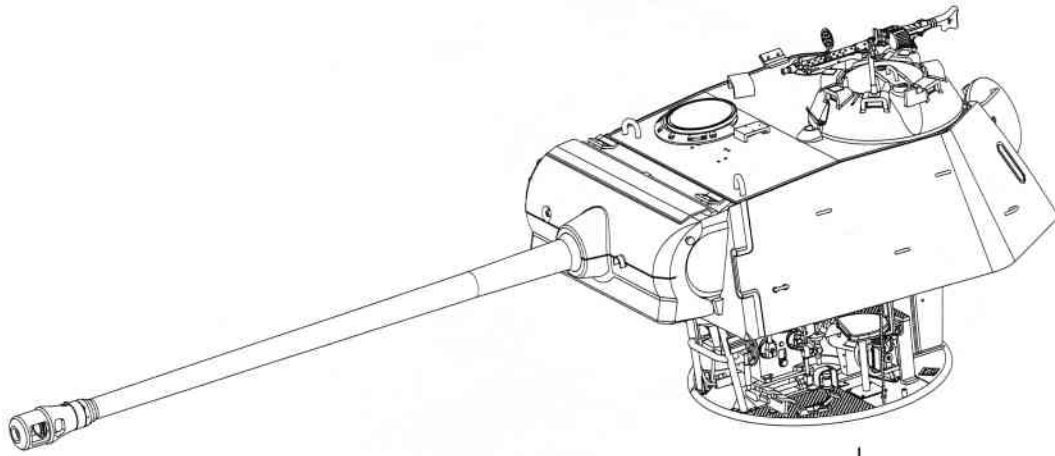
Each side of the length of the metal cable is 200mm.
缆绳的长度单侧是200mm。



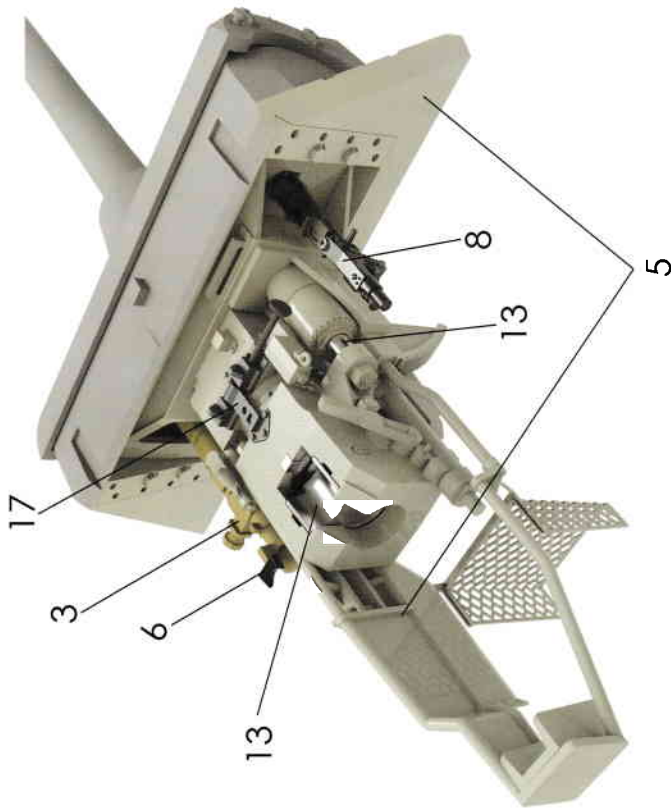
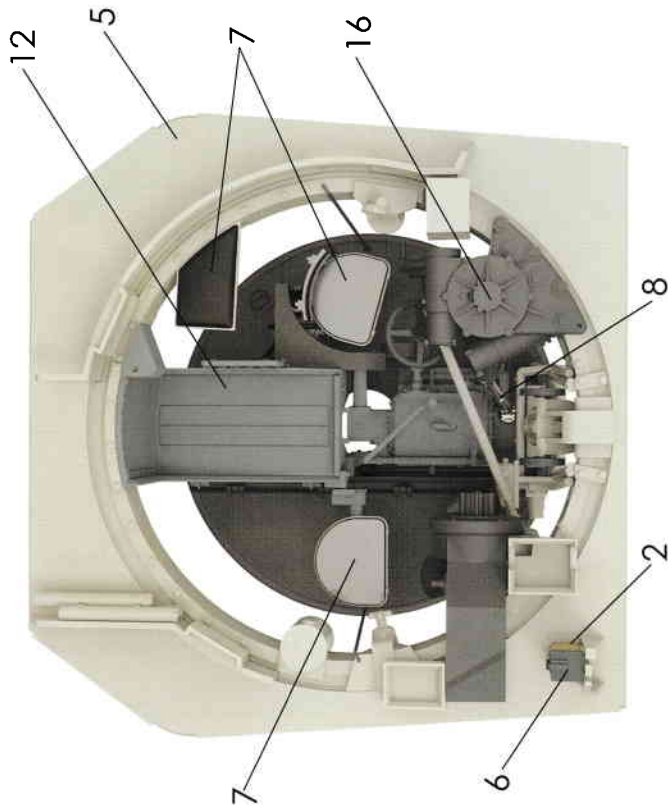
STEP 71



STEP 72



Y25(Y25)



Color Reference
颜色参照表

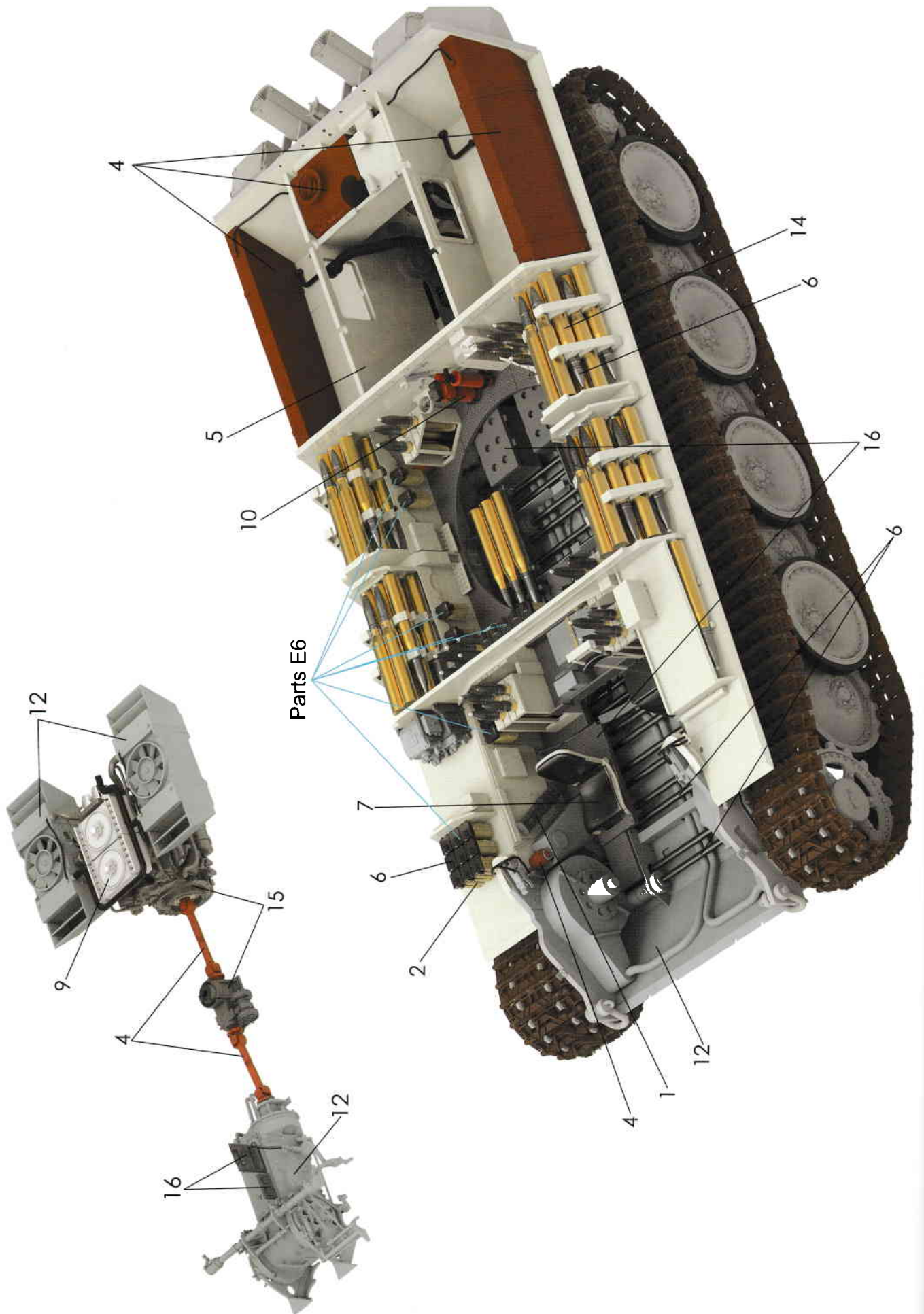
AMMO by Migjimenez

1	A. MIG-0002	RAL 6003 OLIVGRÜN OPT.2
2	A. MIG-0009	RAL 7027 SANDGRAU
3	A. MIG-0010	RAL 7028 DUNKELGELB (MID WAR)
4	A. MIG-0014	RAL 8012 ROTBRAUN
5	A. MIG-0017	RAL 9001 CREMEWEIS.
6	A. MIG-0032	SATIN BLACK
7	A. MIG-0035	DARK TRACKS
8	A. MIG-0045	GUN METAL
9	A. MIG-0047	SATIN WHITE
10	A. MIG-0049	RED
11	A. MIG-0061	WARM SAND-YELLOW
12	A. MIG-0062	FRENCH BLUE
13	A. MIG-0191	STEEL
14	A. MIG-0197	BRASS
15	A. MIG-0218	RLM 66 SCHWARTZGRAU 71.055
16	A. MIG-0908	GREY BASE
17	A. MIG-0909	GREY LIGHT BASE

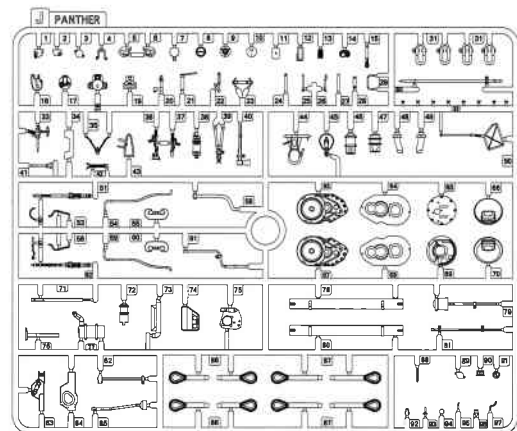
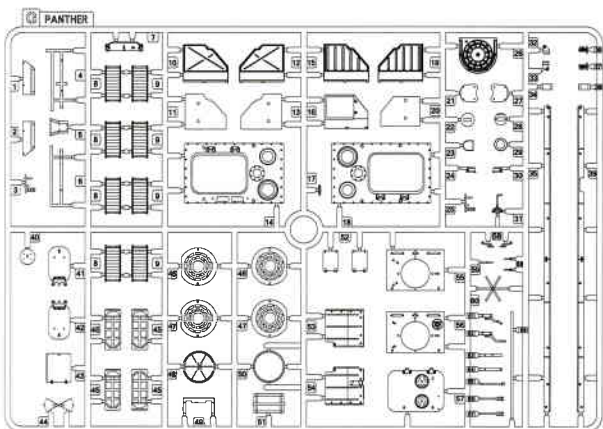
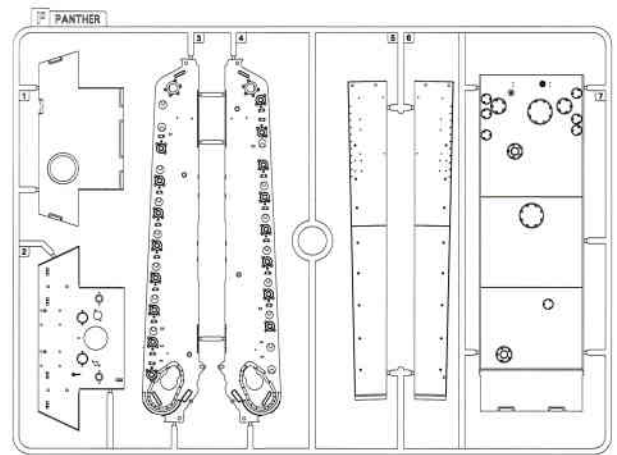
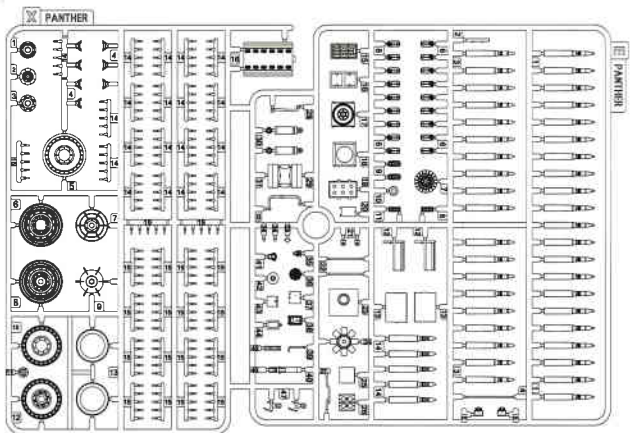
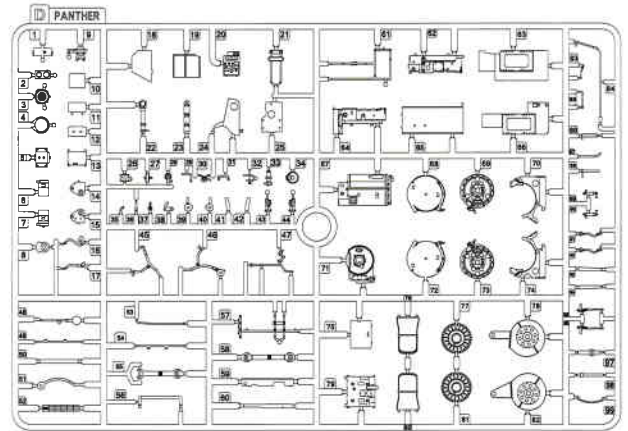
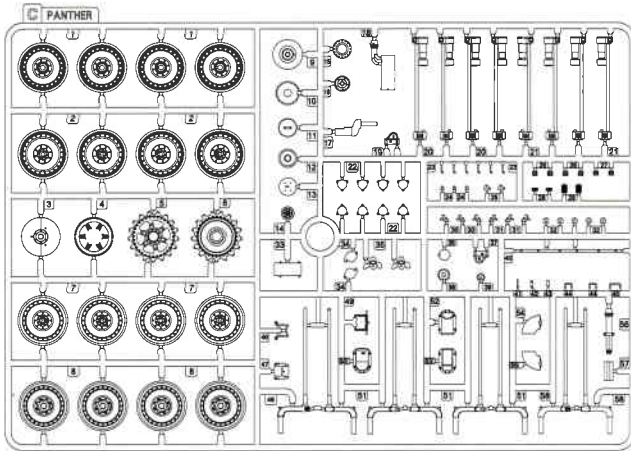
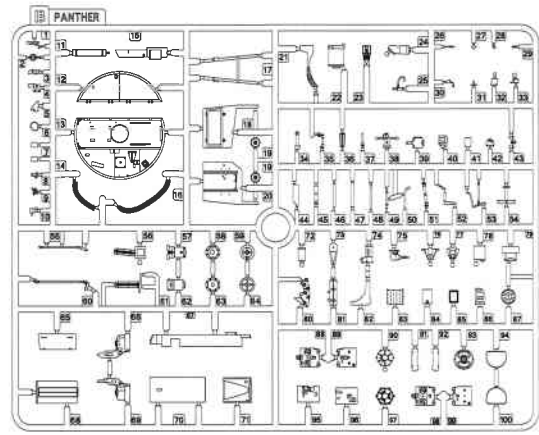
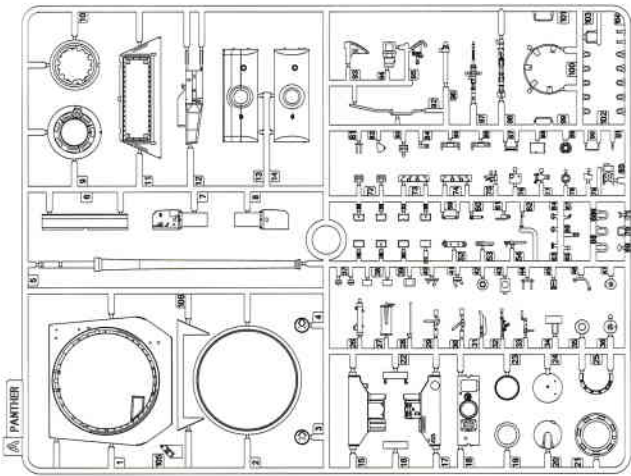
GSI Creos Corp. Mr.Hobby

H405	OLIVE GREEN /OLIVEGRÜN
H313	YELLOW FS33531
H403	DARK YELLOW/DUKELGELB
H47	RED BROWN (1)/ROTBRAUN (1)
H318	RED BROWN (1)/ROTBRAUN (1)
H12	FLAT BLACK
H84	MAHOGANY
H28	METAL BLACK
H11	FLAT WHITE
H13	FLAT RED
H459	SAND YELLOW
H54	NAVY BLUE
H18	STEEL
H9	GOLD
H416	BLACK GREY/RLM 66 SCHWARTZGRAU
H301	GRAY FS 36081
H317	GRAY 36231

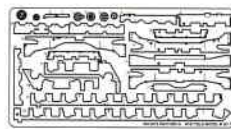
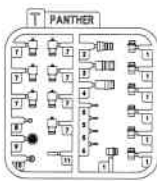
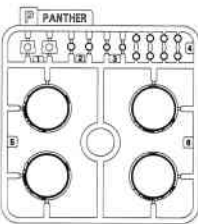
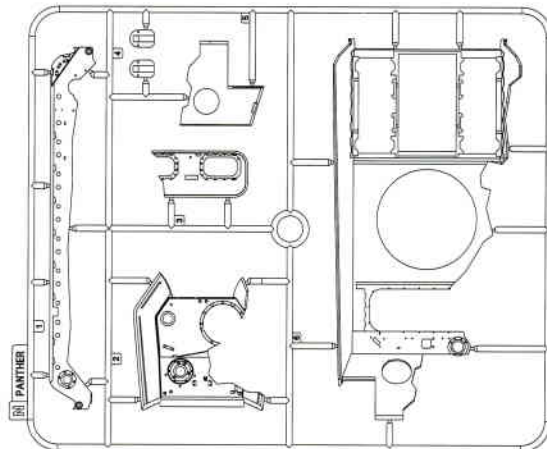
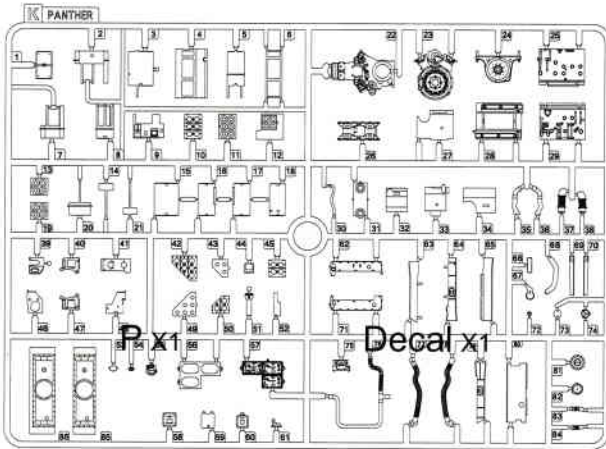
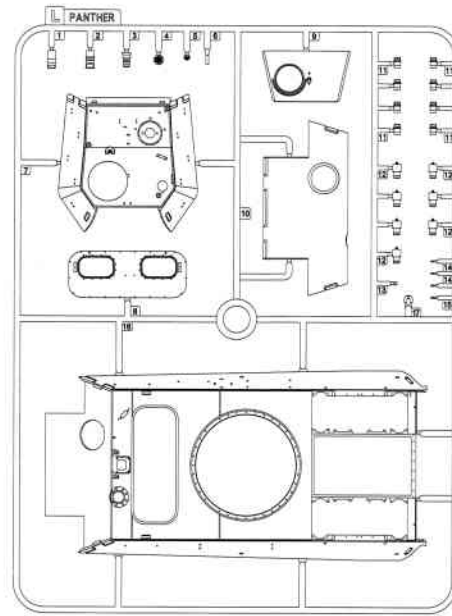
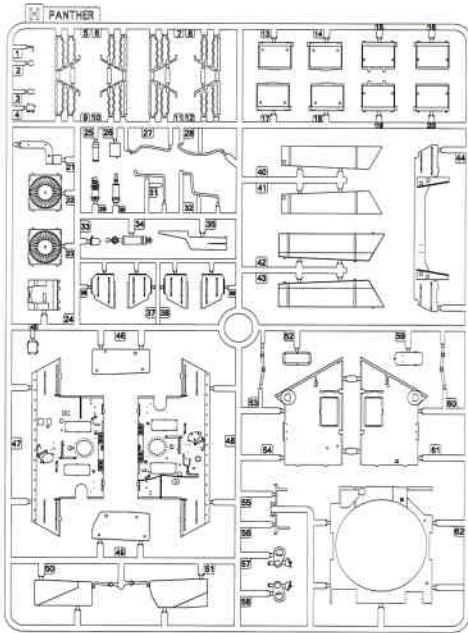
G38	OLIVE GREEN /OLIVEGRÜN
G313	YELLOW FS33531
G39	DARK YELLOW/DUKELGELB
G41	RED BROWN (1)/ROTBRAUN (1)
G318 20% + G316 80%	RED BROWN (1)/ROTBRAUN (1)
G33	FLAT BLACK
G42	MAHOGANY
G78	METAL BLACK
G62	FLAT WHITE
	FLAT RED
G14	SAND YELLOW
G28	NAVY BLUE
G9	STEEL
G9	GOLD
G116	BLACK GREY/RLM 66 SCHWARTZGRAU
G801	GRAY FS 36081
G317	GRAY 36231



PARTS 部品图



PARTS 部品图



128 128 128
308 308 308
211 211 211
+++ +

Track Links x190

Metal Cable 1 40mm

Metal Cable 2 30mm



FACEBOOK



微信公众号



微博

RYEFIELD MODELS (HK) CO., LTD.

香港麦田模型玩具有限公司

Business / 业务与合作: rfm@ryefield-model.com

Support / 售后支持: support@ryefield-model.com

Website / 网站: www.ryefield-model.com

COPYRIGHT © 2018 ALL RIGHTS RESERVED