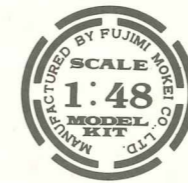




SUD ALOUETTE III

HELICOPTER SERIES NO.4



ASSEMBLY INSTRUCTIONS:

SUD ALOUETTE III is the first Gas-Turbine Helicopter developed by Sud Aviation in France. The proto-type was flown for the first time on February 28, 1959.

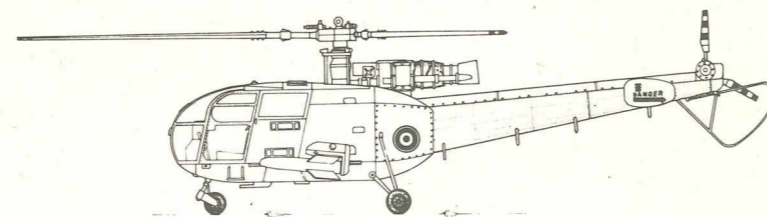
This copter is now being used by The French Army and Navy and also by The Union of South Africa. This copter is equipped with 4 anti-missiles and 20 mm cannons.



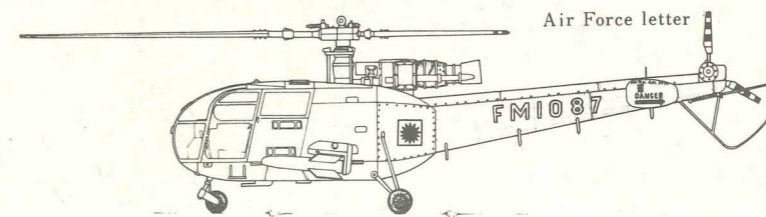
FUJIMI MOKEI CO., LTD.
4-21-1, TORO SHIZUOKA CITY JAPAN TELEPHONE (86) 0346

LIST OF PARTS

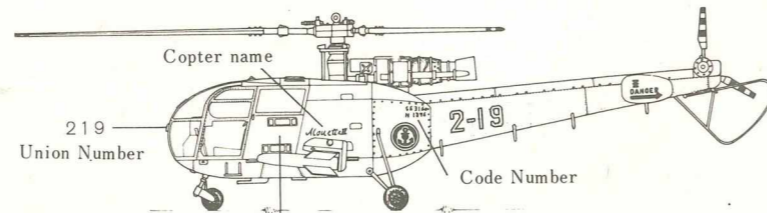
No.	Description	Quantity
1	main shaft	1 pc
2	mission case	1 pc
3	front mission case	1 pc
4	mission case rear	1 pc
5	left engine	1 pc
6	right engine	1 pc
7	pipe	1 pc
8L	left box	1 pc
8R	right box	1 pc
9	mission part	1 pc
10	air-intake	2 pcs
11	rotor blade	3 pcs
12	hub-head	1 pc
13	rotor hub	1 pc
14	shaft	1 pc
15	drag hinge damper	3 pcs
16	lifting hook	1 pc
17	spider	1 pc
18	axle bearing	1 pc
19	rotor base	1 pc
20	spider arm	3 pcs
21	tail rotor	1 pc
22	tail rotor shaft	1 pc
23	rotor gear box	1 pc
24	box lid	1 pc
25	left fuselage	1 pc
26	right fuselage	1 pc
27	floor	1 pc
28	rear cabin wall	1 pc
29	instrument shell	1 pc
30	instrument panel	1 pc
31	front seat	3 pcs
32	control stick	2 pcs
33	rear seat	1 pc
34	pilot	2 pcs
35	nose landing gear	1 pc
36	hub	1 pc
37	front wheel	1 pc
38	stopper ring	1 pc
39	main leg strut	2 pcs
40	shock absorber	2 pcs
41	main wheel	2 pcs
42	tail rotor guard	1 pc
43	stabilizer	2 pcs
44	left fin	1 pc
45	right fin	1 pc
46	roof	1 pc
47	left roof window	1 pc
48	right roof window	1 pc
49	windshield	1 pc
50	left window	1 pc
51	right window	1 pc
52	left door	1 pc
53	right door	1 pc
54	landing light	1 pc
55	navigation light	2 pcs
56	step	4 pcs
57	step	2 pcs
58	pilot tube	1 pc
59	antenna	4 pcs
60	rocket bracket	2 pcs
61	pylon	4 pcs
62	missile	4 pcs



FRENCH AIR FORCE



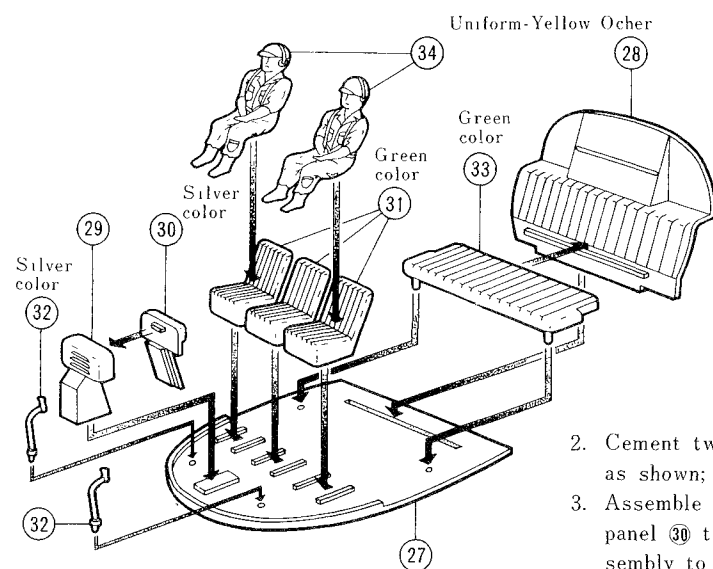
MALAYSIA ROYAL AIR FORCE



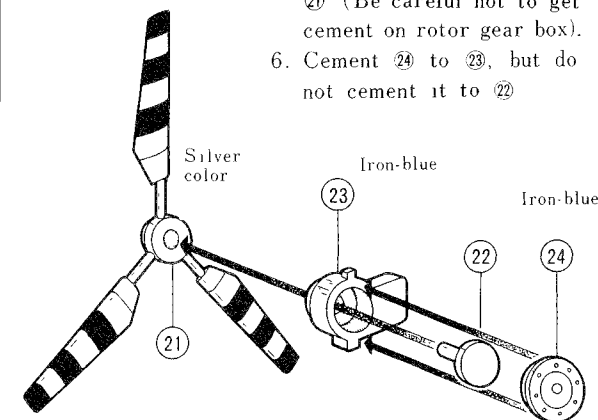
FRENCH NAVY



ISRAEL AIR FORCE

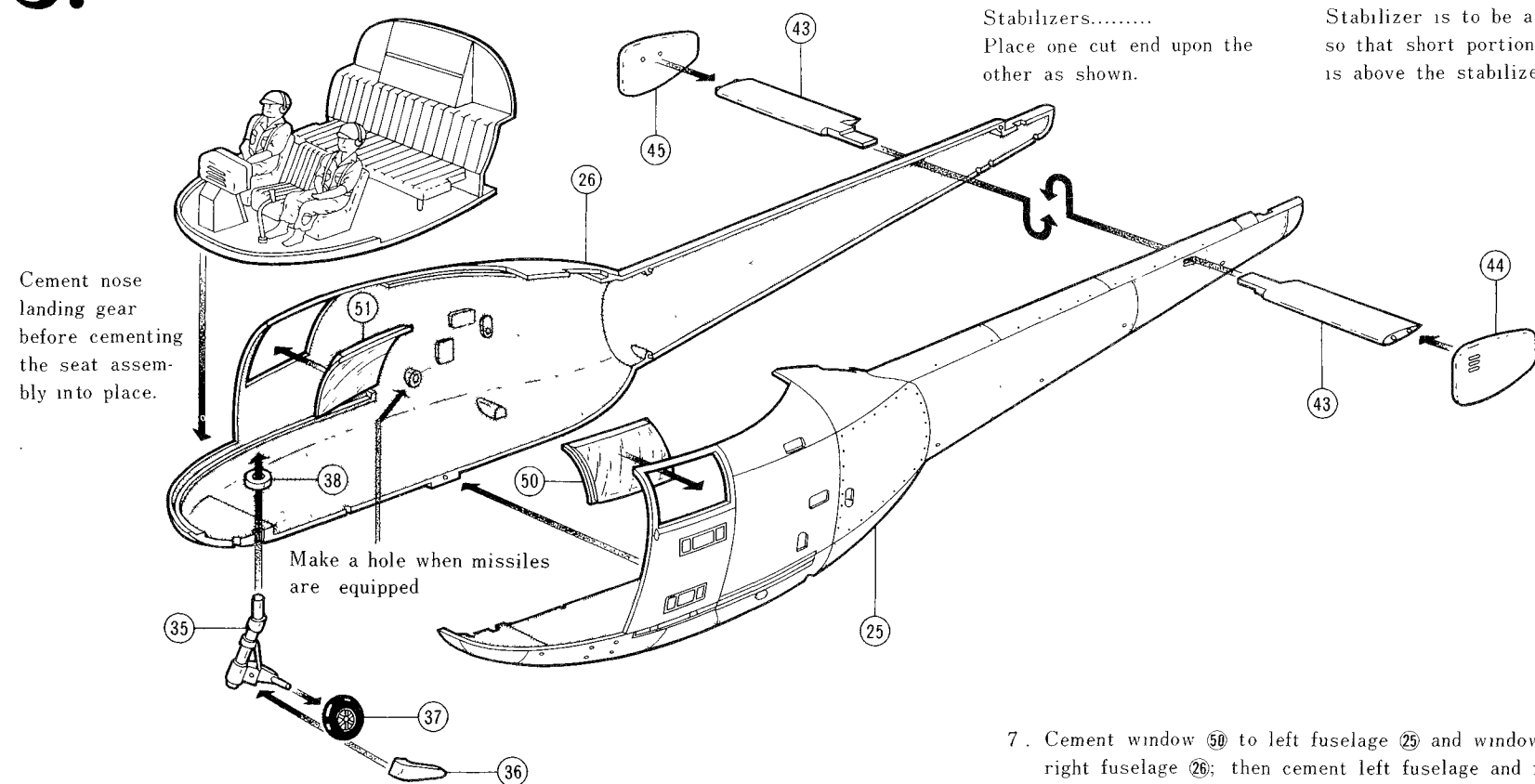


1. Cement rear seat 33 to rear cabin wall 28; then cement it to floor 27.
2. Cement two pilots 34 to the front seats 31 as shown; then cement assembly to the floor.
3. Assemble instrument shell 29 and instrument panel 30 together; then cement instrument assembly to the floor.
4. Cement control stick 32 to floor.



5. Cement tail rotor shaft 22 through rotor gear box 23 to 21 (Be careful not to get cement on rotor gear box).
6. Cement 24 to 23, but do not cement it to 22

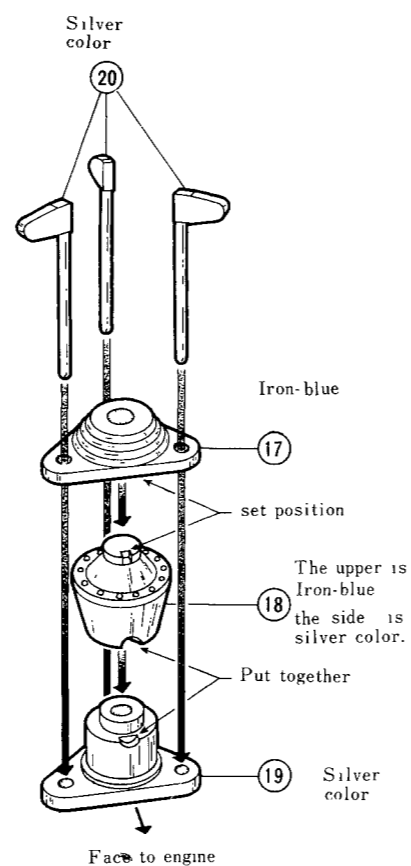
3.



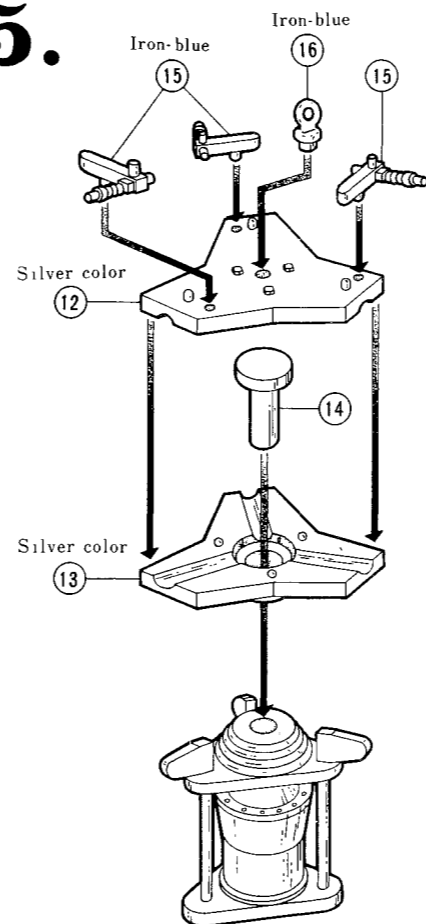
7. Cement window 50 to left fuselage 25 and window 51 to right fuselage 26; then cement left fuselage and right fuselage together. When missiles are used, make a hole as shown by the arrow.
8. Slide the wheel 37 on to landing gear projection and fix it with hub 36; then cement nose landing gear 35 to the bottom of the fuselage. Do not get cement on wheel.
9. Cement the completed cockpit to front of the fuselage.
10. Slide stabilizer 43 into fuselage tail and cement one cut end on top of the other, as illustrated. Then cement left fin 44 and right fin 45 to stabilizer. Be sure short portion of fin is at top.

4.

11. Cement ⑩ to spider ⑪ and then, cement it to rotor base ⑫. (Put semicircular cut-ends of ⑩ and ⑫ together.)
12. Cement spider arms ⑬ through spider ⑪ to ⑫ as shown.



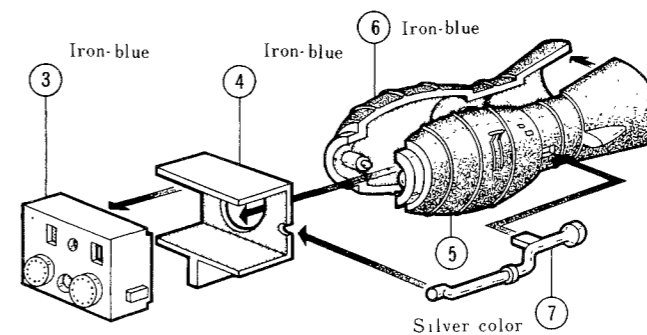
5.



13. Insert shaft ⑭ into rotor hub, but do not cement! But, then cement it to the completed rotor base. Make sure that the rotor hub ⑬ can turn easily.
14. Cement hub-head ⑫ to ⑬ and then cement drag hinge damper ⑮ and lifting hook ⑯ into place.

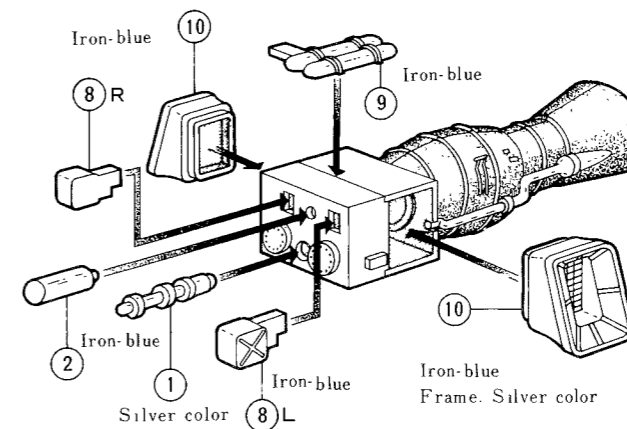
6.

15. Cement front mission case ③ and the rear ④. Also, left engine ⑤ and right ⑥ together; then assemble complete unit. The pipe ⑦ is fixed as shown.



7.

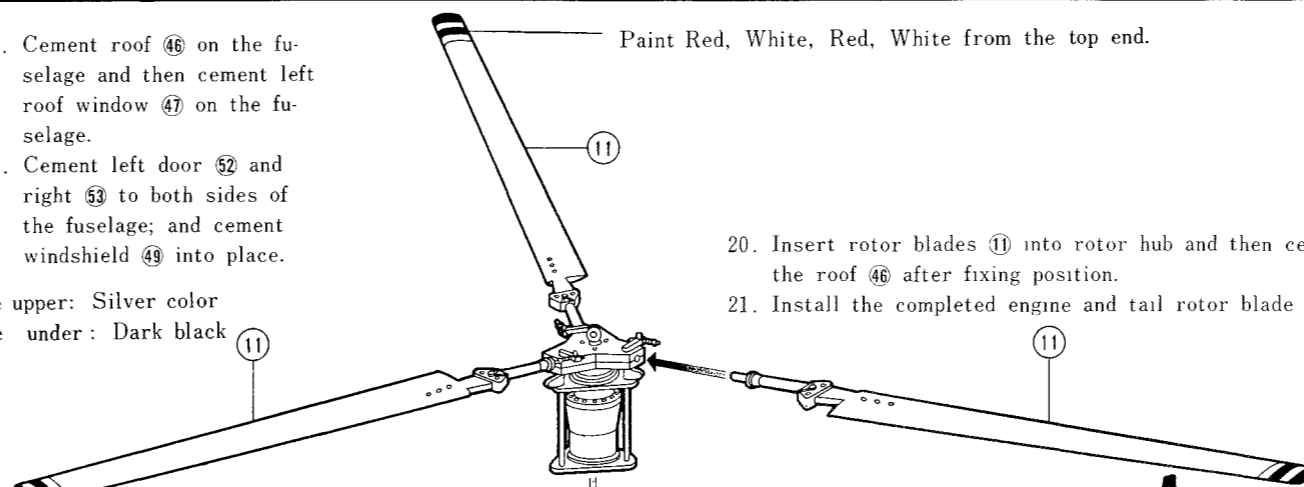
16. Assemble main shaft ①, completed mission case ②, left box (8L) and right box (8R) together as shown.
17. Cement air-intakes ⑩ to both sides of mission case and parts ⑨ on the head as illustrated.



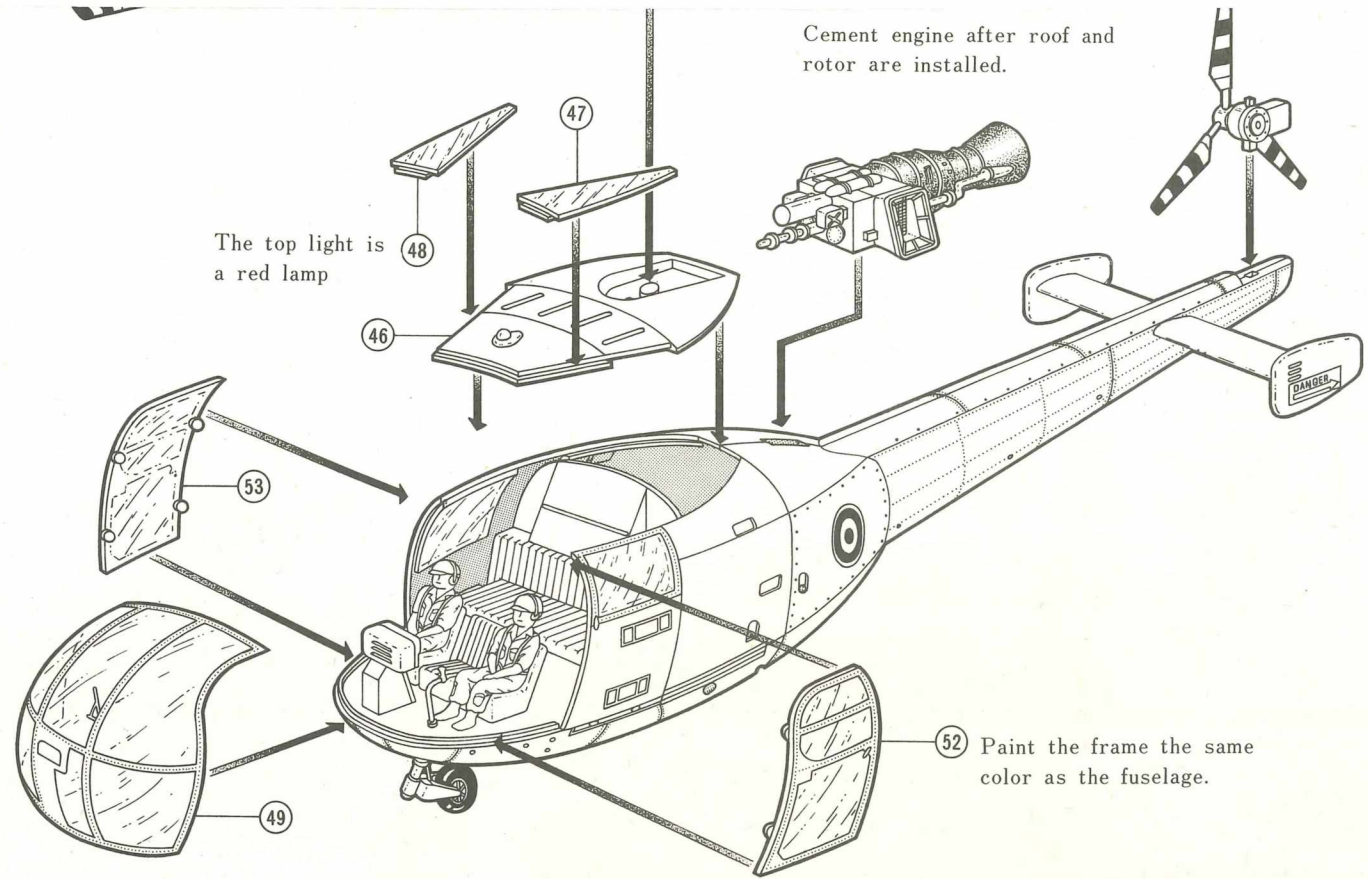
8.

18. Cement roof ④⑥ on the fuselage and then cement left roof window ④⑦ on the fuselage.
19. Cement left door ④② and right ④③ to both sides of the fuselage; and cement windshield ④⑨ into place.

The upper: Silver color
The under: Dark black



20. Insert rotor blades ⑪ into rotor hub and then cement it on to the roof ④⑥ after fixing position.
21. Install the completed engine and tail rotor blade into place.



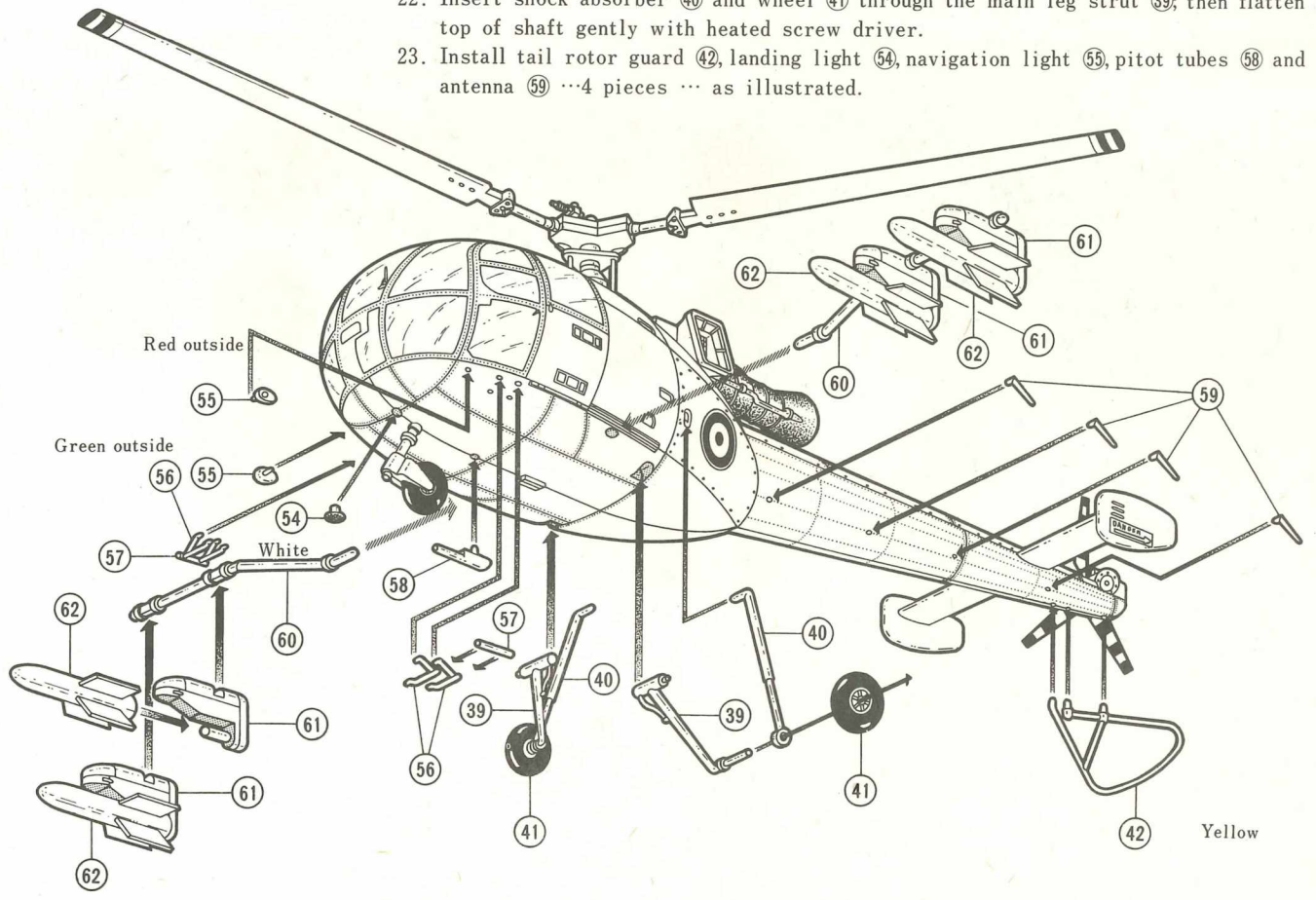
Cement engine after roof and rotor are installed.

The top light is a red lamp

52 Paint the frame the same color as the fuselage.

9.

22. Insert shock absorber 40 and wheel 41 through the main leg strut 39; then flatten top of shaft gently with heated screw driver.
23. Install tail rotor guard 42, landing light 54, navigation light 55, pitot tubes 58 and antenna 59 ...4 pieces ... as illustrated.



24. Assemble two sets of steps 56 and 57; then cement completed step units to both sides of the fuselage.
25. When missiles are installed insert and cement missiles 62 to pylons 61; then fix them to rocket brackets 60. Finally cement to holes in fuselage.

Silver or White color

Yellow