



German Tank Pz.Kpfw. III

ausf. N/M

1/72



SPECIFICATION

GENERAL:

CREW: FIVE—COMMANDER, LOADER, DRIVER, RADIO OPERATOR.

BATTLE WEIGHT: 25,5 tons.

GROUND PRESSURE: 0.99 Kg/cm². (14.4 lbs/sq. in.).

DIMENSIONS

LENGTH OVERALL: 6,550 mm.

HEIGHT: 2,500 mm.

WIDTH: 3,410 mm.

TRACK CENTRES: 360 mm.

GROUND CLEARANCE: 385 mm.

ARMAMENT

ONE 7.5 cm KwK, CALIBER LENGTH 24.

ONE MG 34 7-92 mm, MOUNTED CO-AXIALLY

ONE MG 34 7-92 mm. MOUNTED IN HULL FRONT, RIGHT

FIRE CONTROL

TURRET TRAVERSE, 360°, BY HAND WHEEL, ELEVATION BY HAND 10°, DEPRESSION 10°. ELECTRIC PRIMER OPERATED BY TRIGGER. CO-AXIAL MG FIRED BY ROD AND PEDAL FROM GUNNER'S RIGHT FOOT. HULL MG FIRED BY TRIGGER.

ENGINE

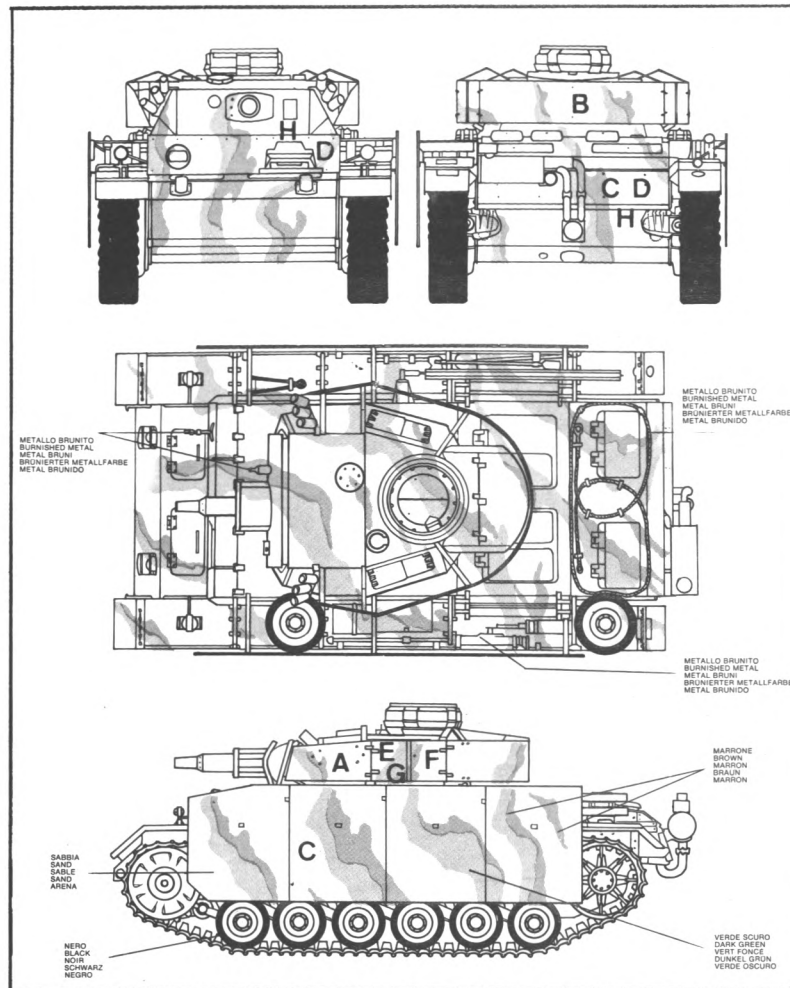
MAYBACH HL 120 TRM: PETROL
12 CYLINDERS, 60° "V", WATER COOLED
CAPACITY 11867 cc.

PERFORMANCE

MAXIMUM ROAD SPEED: 40 Km/h.
MAXIMUM GRADIENT: 30°.
TRENCH CROSSING: 2,300 mm.
WADING DEPTH: 800 mm.
RANGE: ROAD 165 Km/CROSS COUNTRY 95 Km.
FUEL CONSUMPTION: 187 LITRES/100 Km.



MADE IN ITALY



Pz. Kpfw. III ausf. N/M

10^A 10^B 10^C

+++_C x_D

213^A 213^D DD

Y_E Y_F 122 122

++_G ++_C

4_D 4_H ++

ESCI
MADE IN ITALY

4

— PIECES N° 84, 70, 71
ONLY FOR VERSION N.

