

Armed battlefield attack helicopters have become an integral component of the modern armed force. Based on experience gained by U.S. Forces operating in Southeast Asia during the 1960's, the need was determined to develop a dedicated, armed helicopter that was specifically tasked with close air support of friendly ground forces and the interdiction of enemy ground forces and armored units. Experience in combat proved that supersonic aircraft lacked the low-speed capability and maneuverability that was required to provide comprehensive air support. The first armed helicopter specifically designed as a battlefield close air support weapon was the Bell AH-1 "Cobra" that has proven to be so successful in achieving its mission that more than one thousand examples have been built in a number of variants.

The AH-64A "Apache" represents the culmination of a lengthy program sponsored by the United States Army to develop an improved, second-generation armed attack helicopter. In recent years, the Soviet Union has placed a great deal of emphasis on this type of weapon system with the development of the Mi-24 "Hind" helicopters, adapted from an existing design, and the recent introduction of the Kamov "Hokum" and the Mi-28 "Havoc" armed helicopter. Little is known of the "Hokum" and "Havoc", but U.S. analysts are certain that both helicopters have an air-to-air capability.

Currently, full-scale production of the McDonnell Douglas "Apache" is underway in Mesa, Arizona, and the latest battlefield attack and antiarmor helicopter has entered operational service with the United States Army. Current procurement plans specify that 675 examples will be delivered through 1990.

Based on significant technological advances in weapons systems, powerplant design, and electronic systems, the "Apache" is heralded as the first operational attack helicopter that possesses an all-weather capability.

Not only is the "Apache" well-suited for operation in arid

environments, but specific measures have been taken to optimize aircraft and crew performance in changeable European weather conditions.

The AH-64 is 58 feet 3 inches in length, and it is equipped with a four-bladed main rotor that spans 48 feet in diameter. The rotor blades are unique in that the blade tips are swept for noise suppression purposes. It is the first free-world design to enter service that reflects the high-threat environment from anti-aircraft and lightweight missile fire that threatens modern armed helicopters. Specific integral measures in the fields of lightweight armor, infrared suppression technology, and nap-of-the-earth low-level navigation systems directly contribute to the improved survivability of the "Apache". Of particular note is the multicelled exhaust heat dissipation system that is fitted behind the twin General Electric T700-701 turboshaft powerplants. The design goal of this system is to reduce the infrared signature of the heated exhaust gases.

As the "Apache" is a multi-role design, it is designed to carry a wide range of armament options on two horizontal weapons pylons. Typical armament includes M200 rocket pods, each carrying nineteen 2.75" diameter rockets, TOW antitank missiles, and the "Hellfire" laser-homing antitank missiles. Positioned under the nose, the "Apache" is equipped with a lethal M230 Chain Gun armed with 1200 rounds of 30mm ammunition. Tests have also been conducted with pylon-mounted "Sidewinder" air intercept missiles in order to develop an air-to-air capability.

Fully loaded, the "Apache" weighs in excess of 14,400 pounds and possesses a top speed of nearly 200 miles per hour. The aircraft is crewed by a two-man crew seated in special seats that are protected with ceramic armor panels. Access to the cockpit is gained through two pivoting acrylic panels. The "Apache" is the world's finest armed helicopter, and it is accurately portrayed in this superb 1/32nd scale model.

Every effort has been made to create and manufacture a model kit that is the finest available. If a part is missing, please call us at 1-800-833-3570 or write to:

Revell-Monogram
Consumer Service Department
8601 Waukegan Road
Morton Grove, Illinois 60053

Be sure to include the kit number, part number, description, and your return address.

If you have any problems building this model, call our modeling tips hotline at:

(800) 833-3570

READ THIS BEFORE YOU BEGIN

- Study the assembly drawings.
- Each plastic part is identified by a number.
- Check the fit of each piece before cementing in place.
- Do not use too much cement to join parts.
- Use only cement for polystyrene plastic.
- Model may be painted to match photos on box.
- Allow paint to dry thoroughly before handling parts.
- Scrape paint from areas to be cemented.
- For better paint and decal adhesion, wash the plastic parts in a mild detergent solution. Rinse and let air dry.

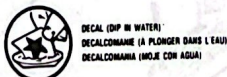
LISEZ CE QUI SUIT AVANT DE COMMENCER LE MONTAGE

- Etudier les schémas d'assemblage.
- Chaque pièce plastique porte un numéro d'identification.
- Contrôler que chaque pièce soit bien conforme avant de la coller à sa place.
- N'utilisez pas trop de colle pour réunir les pièces.
- Utilisez uniquement une colle spéciale pour polystyrène.
- Le modèle peut être peint conformément aux photos sur la boîte.

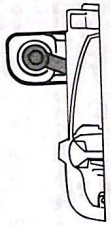
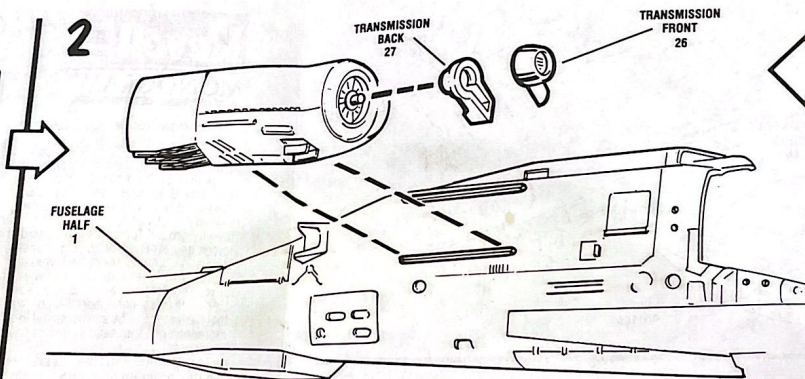
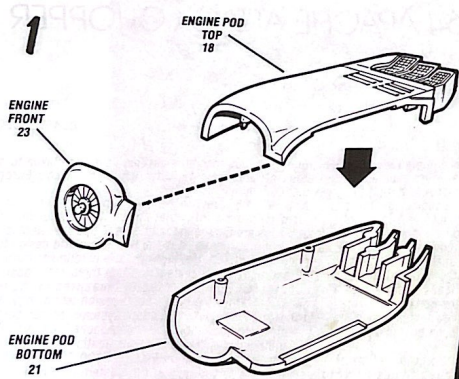
- Laissez sécher la peinture complètement, avant de manipuler les pièces.
- Grattez la peinture sur les surfaces devant être collées.
- Pour assurer la meilleure adhésion possible de la peinture et des décalcomanies, lavez les pièces de plastique avec une légère solution savonneuse. Rincer et laisser sécher à l'air.

LEA ESTO ANTES DE EMPEZAR

- Estudie los dibujos de ensamblaje.
- Cada pieza de plástico se identifica por un número.
- Verifique que cada pieza encaje bien antes de pegar en posición.
- No use demasiado pegamento para unir las piezas.
- Use únicamente pegamento para plástico de poliestirina.
- El modelo puede pintarse de acuerdo con las fotografías de la caja.
- Permita que se seque la pintura completamente antes de tocar las piezas.
- Raspe la pintura de las superficies que serán pegadas.
- Para una mejor fijación de la pintura y de las calcomanías, lávese las piezas plásticas en una solución de detergente suave. Enjuáguese y déjense secar al aire.



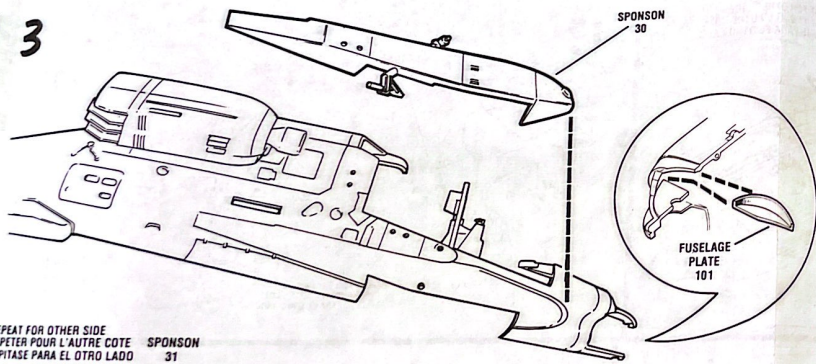
A	FLAT BLACK	NOIR TERNE	NEGRO APAGADO
B	OLIVE DRAB	VERT OLIVE	ACEITUNADO
C	METALLIC	METALLIC	METALICO
D	SILVER	ARGENT	PLATA
E	SATIN BLACK	NOIR	NEGRO
F	GREEN	VERT	VERDE
G	FLESH	COULEUR DE LA PEAU	COLOR DE LA PIEL
H	SATIN WHITE	BLANC	BLANCO



• REPEAT FOR OTHER SIDE
 • REPETER POUR L'AUTRE COTE
 • REPITASE PARA EL OTRO LADO

FUSELAGE HALF 2

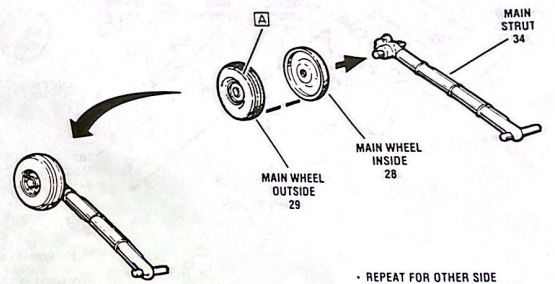
3



• REPEAT FOR OTHER SIDE
 • REPETER POUR L'AUTRE COTE
 • REPITASE PARA EL OTRO LADO

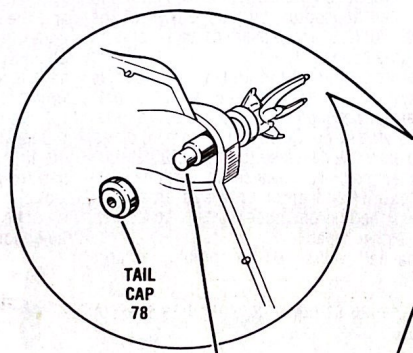
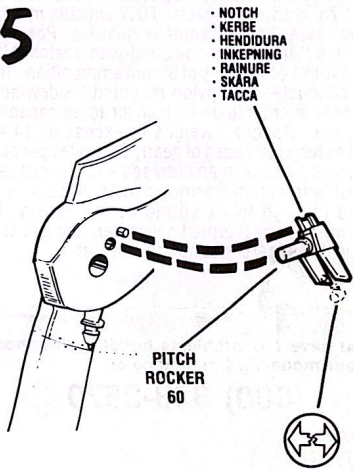
SPONSON
31

4

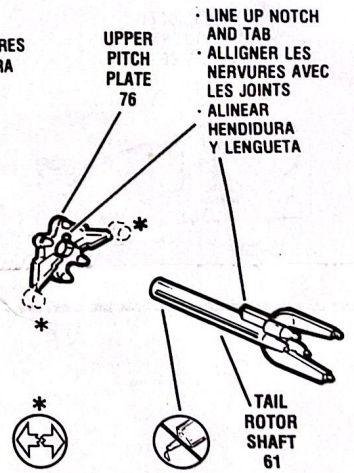
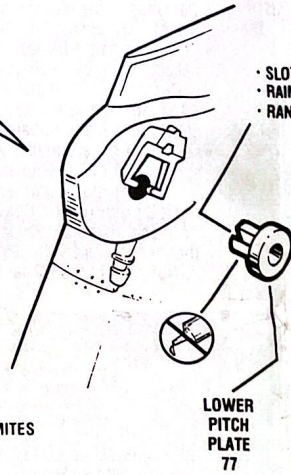


• REPEAT FOR OTHER SIDE
 • REPETER POUR L'AUTRE COTE
 • REPITASE PARA EL OTRO LADO

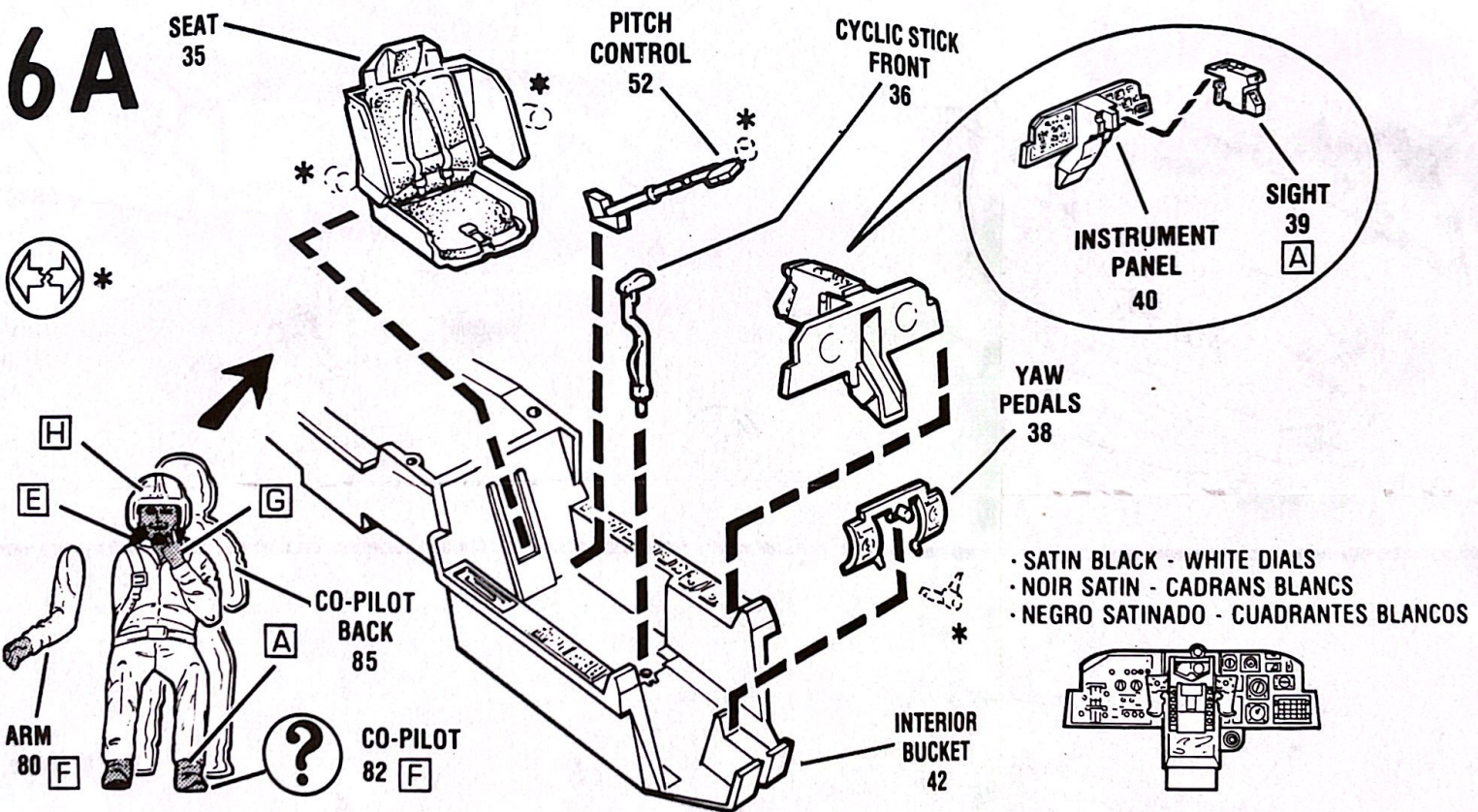
5



· CEMENT END ONLY
· COLLER UNIQUEMENT LES EXTREMITES
· PEGUE SOLO EL EXTREMO



6A



6B

PITCH CONTROL
52

CYCLIC STICK
REAR
37

YAW
PEDALS
38

SEAT
35

INSTRUMENT
PANEL
41

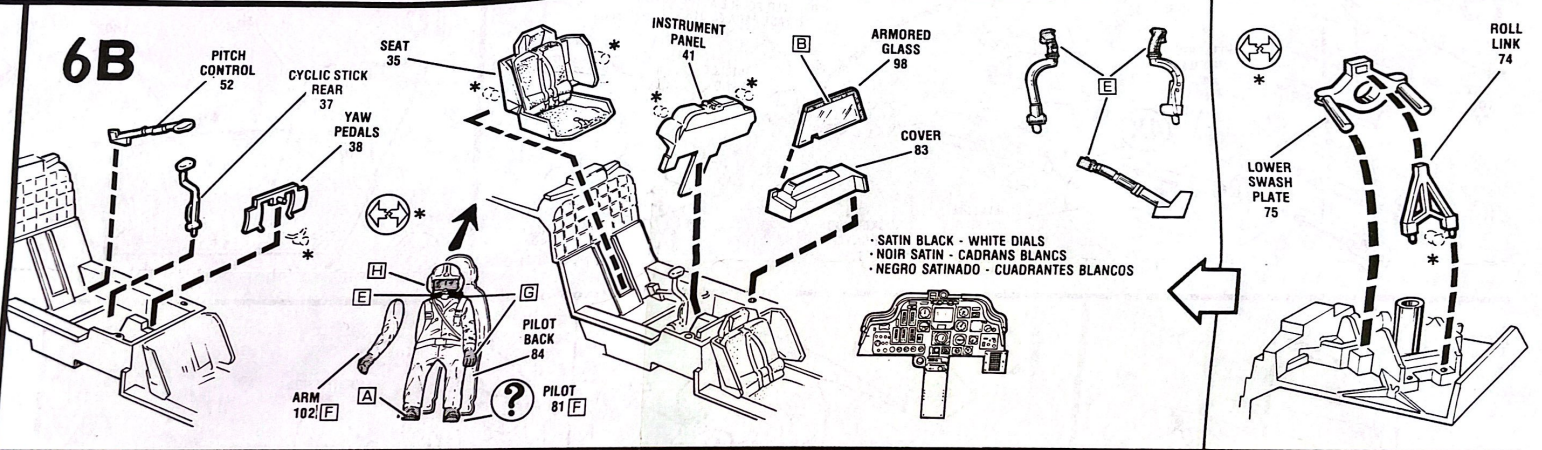
ARMORED
GLASS
98

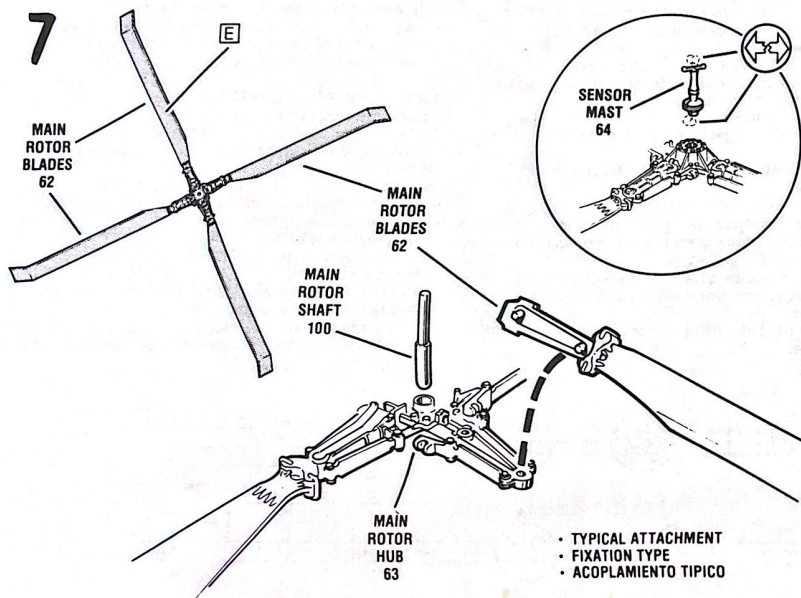
COVER
83

• SATIN BLACK - WHITE DIALS
• NOIR SATIN - CADRANS BLANCS
• NEGRO SATINADO - CUADRANTES BLANCOS

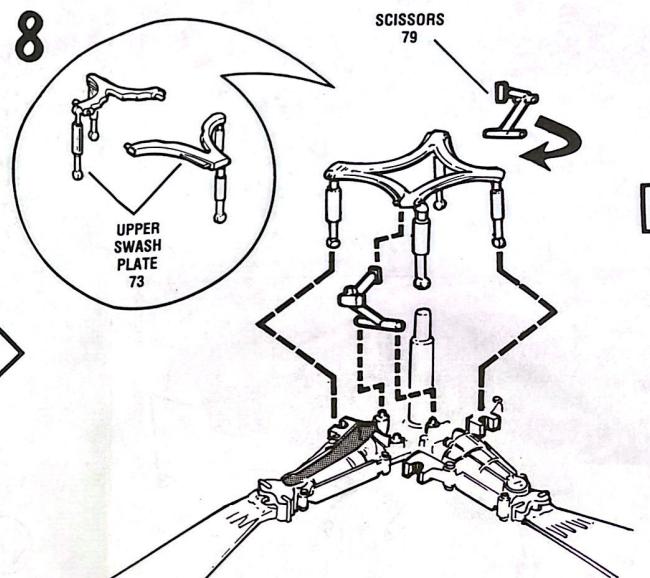
LOWER
SWASH
PLATE
75

ROLL
LINK
74

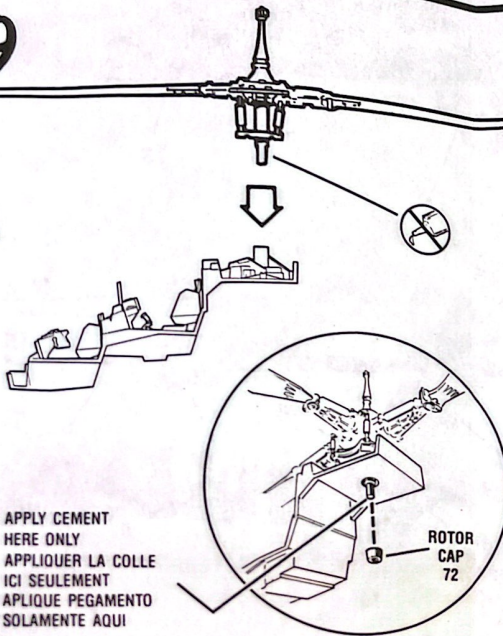




- TYPICAL ATTACHMENT
- FIXATION TYPE
- ACOPLAMIENTO TIPICO

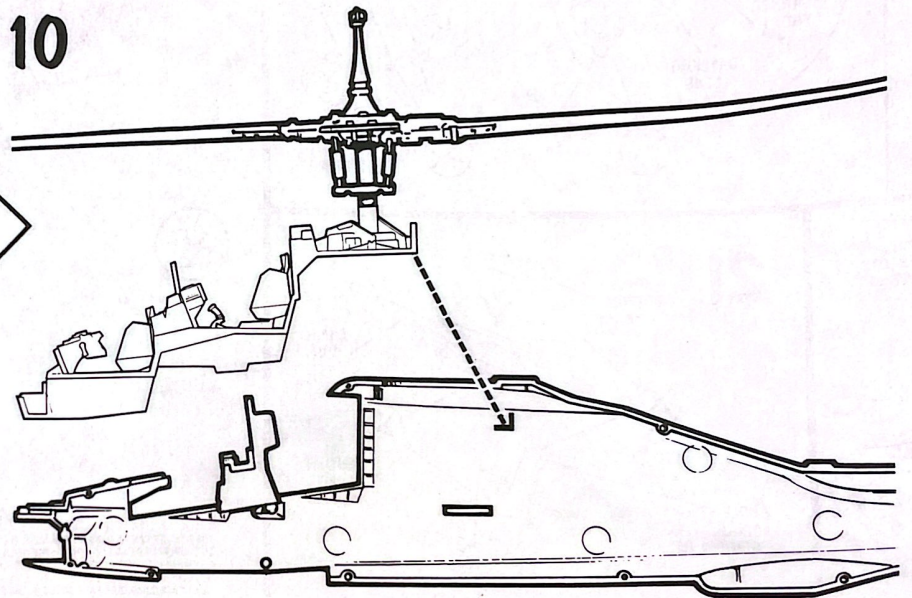


9

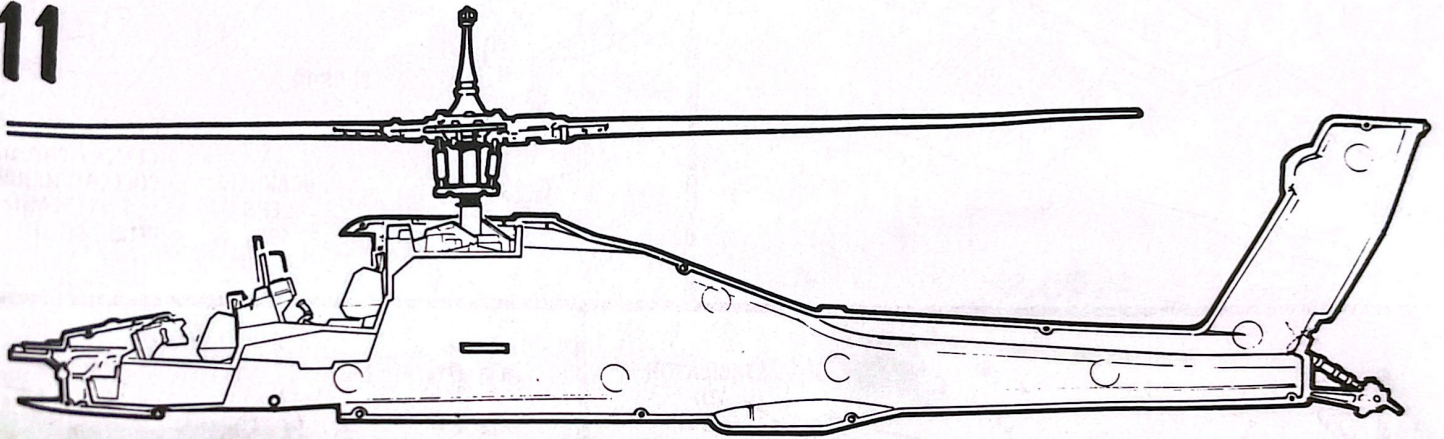


- APPLY CEMENT
HERE ONLY
- APPLIQUER LA COLLE
ICI SEULEMENT
- APLIQUE PEGAMENTO
SOLAMENTE AQUI

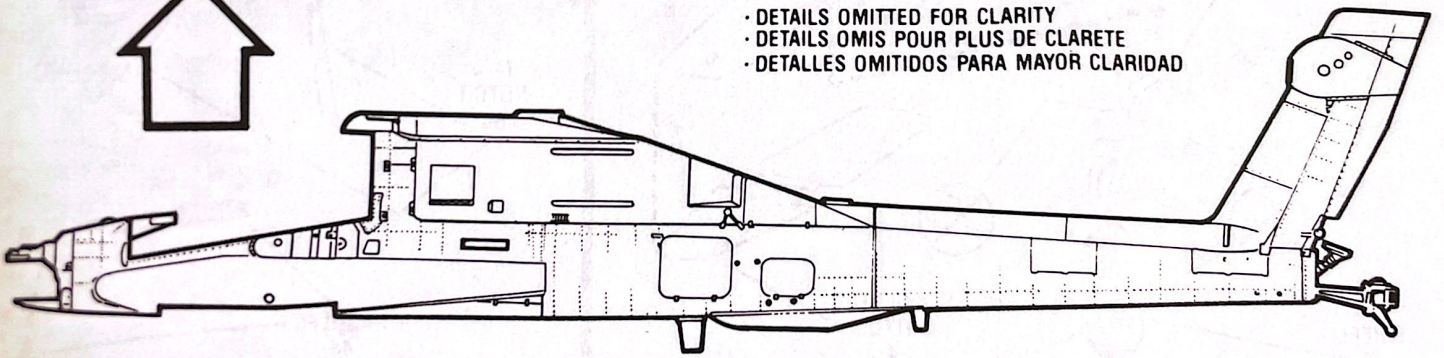
10



11

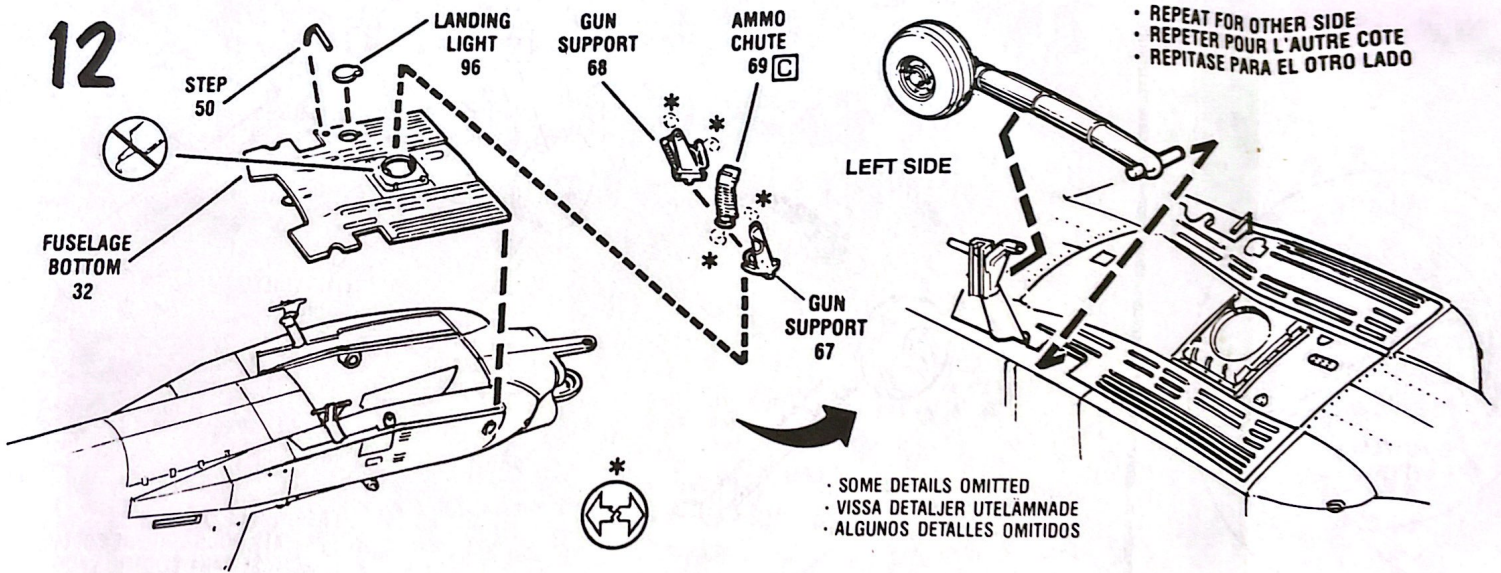


- DETAILS OMITTED FOR CLARITY
- DETAILS OMIS POUR PLUS DE CLARETE
- DETALLES OMITIDOS PARA MAYOR CLARIDAD



85457530202

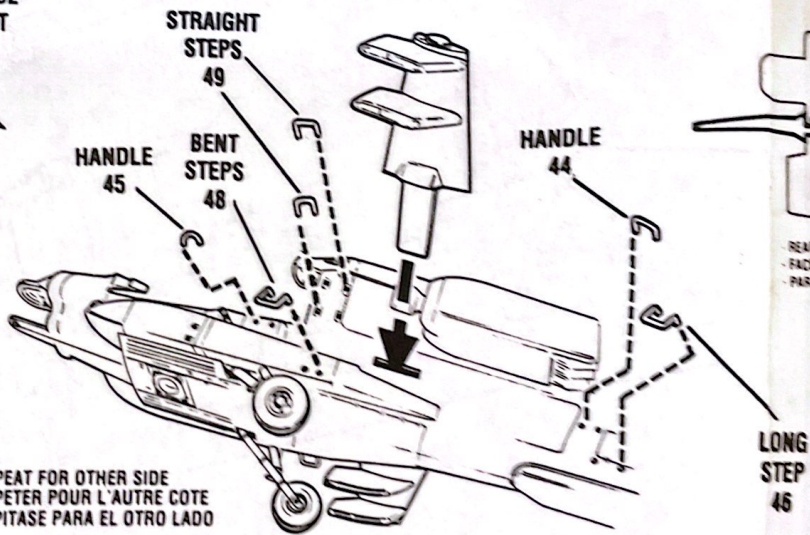
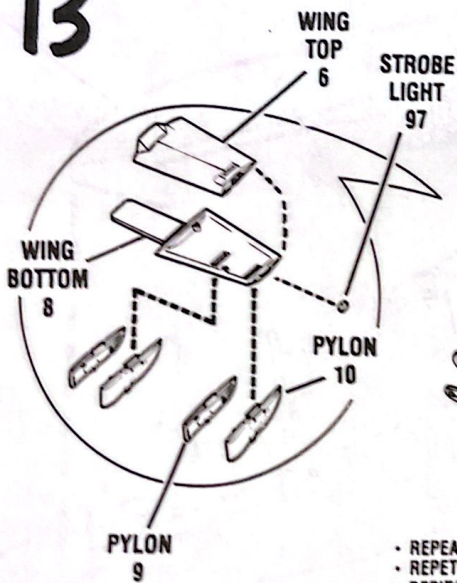
12



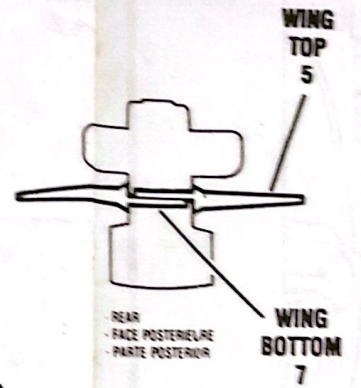
• REPEAT FOR OTHER SIDE
• REPETER POUR L'AUTRE COTE
• REPITASE PARA EL OTRO LADO

• SOME DETAILS OMITTED
• VISSA DETALJER UTELÄMNNADE
• ALGUNOS DETALLES OMITIDOS

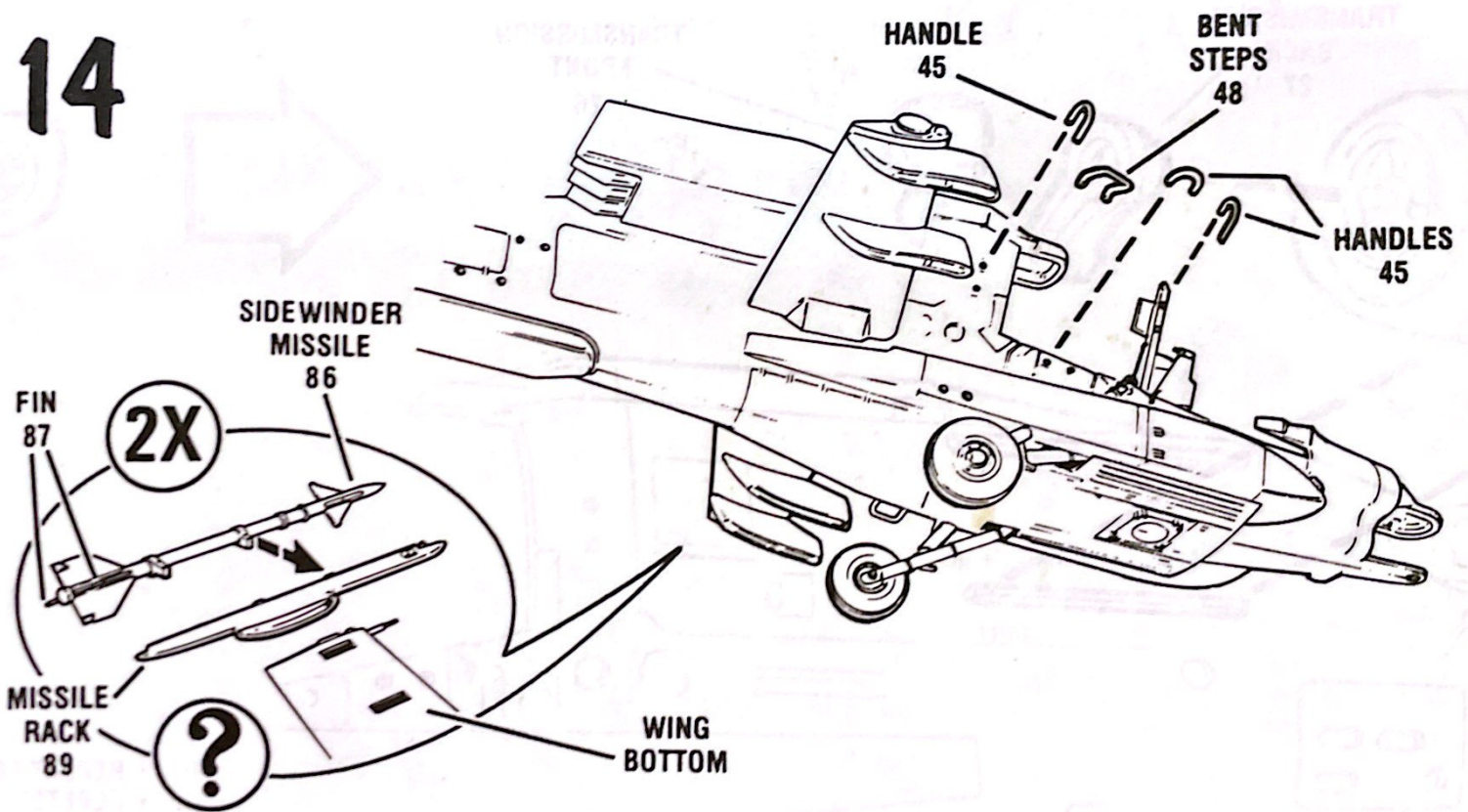
13

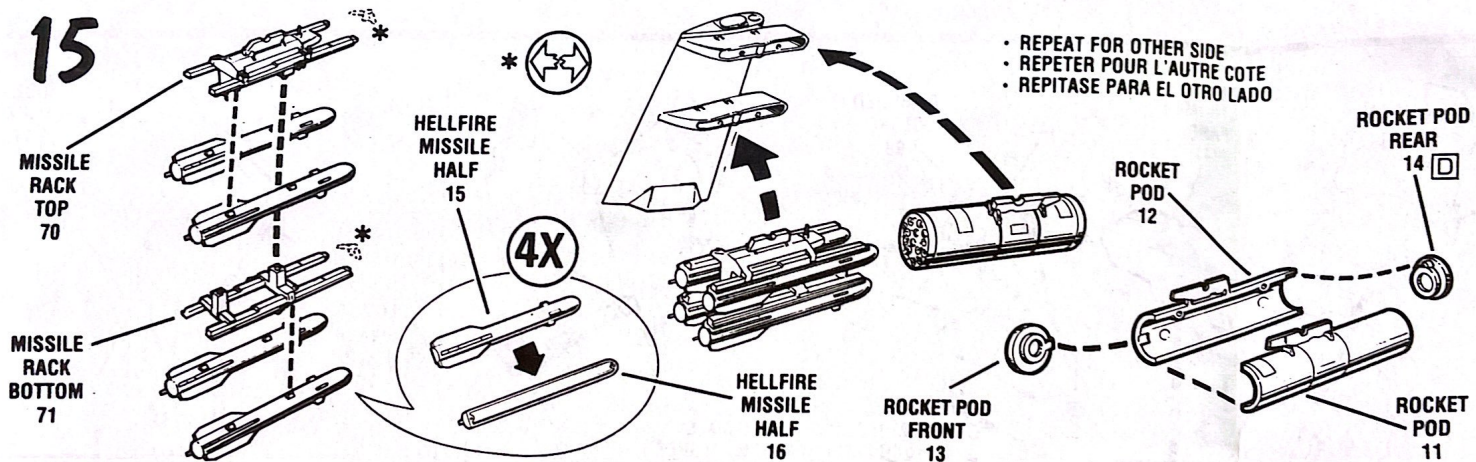


- REPEAT FOR OTHER SIDE
- REPETER POUR L'AUTRE COTE
- REPITASE PARA EL OTRO LADO



14

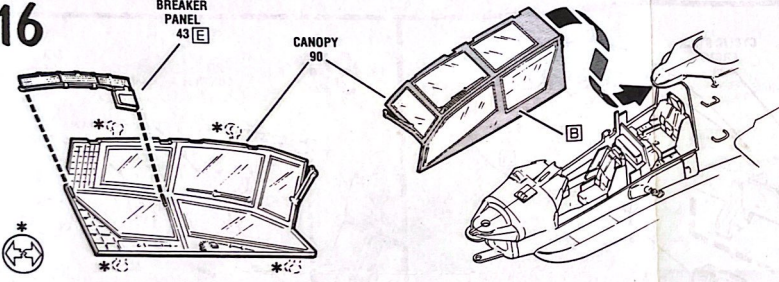




16

BREAKER
PANEL
43 [E]

CANOPY
90



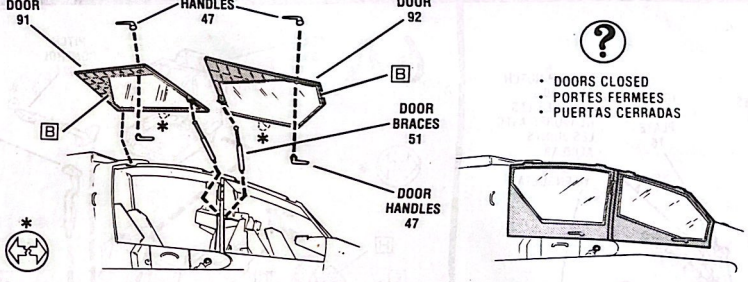
PILOT
DOOR
91

DOOR
HANDLES
47

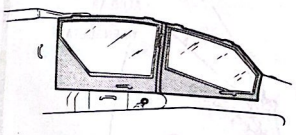
CO-PILOT
DOOR
92

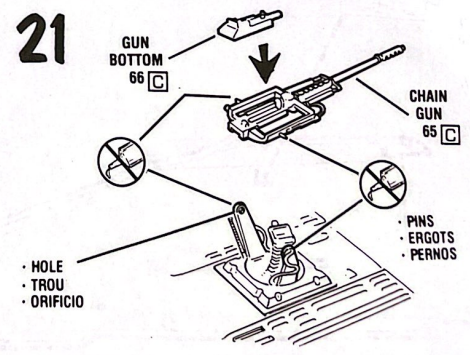
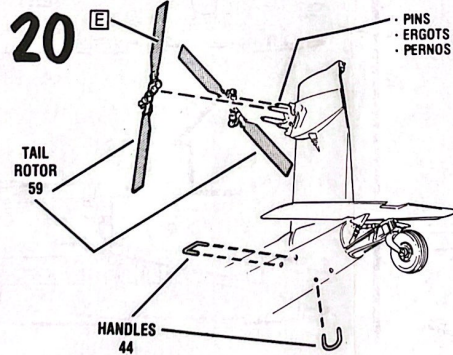
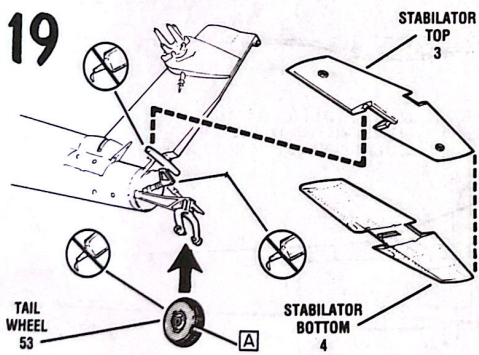
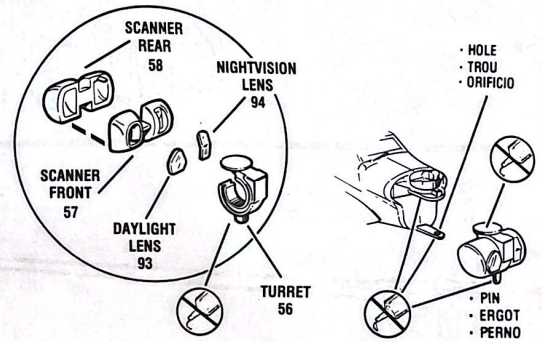
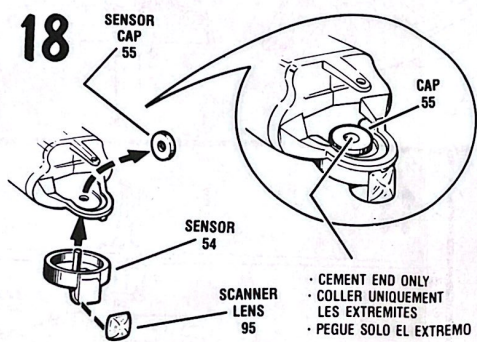
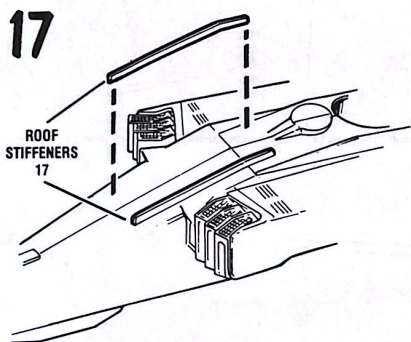
DOOR
BRACES
51

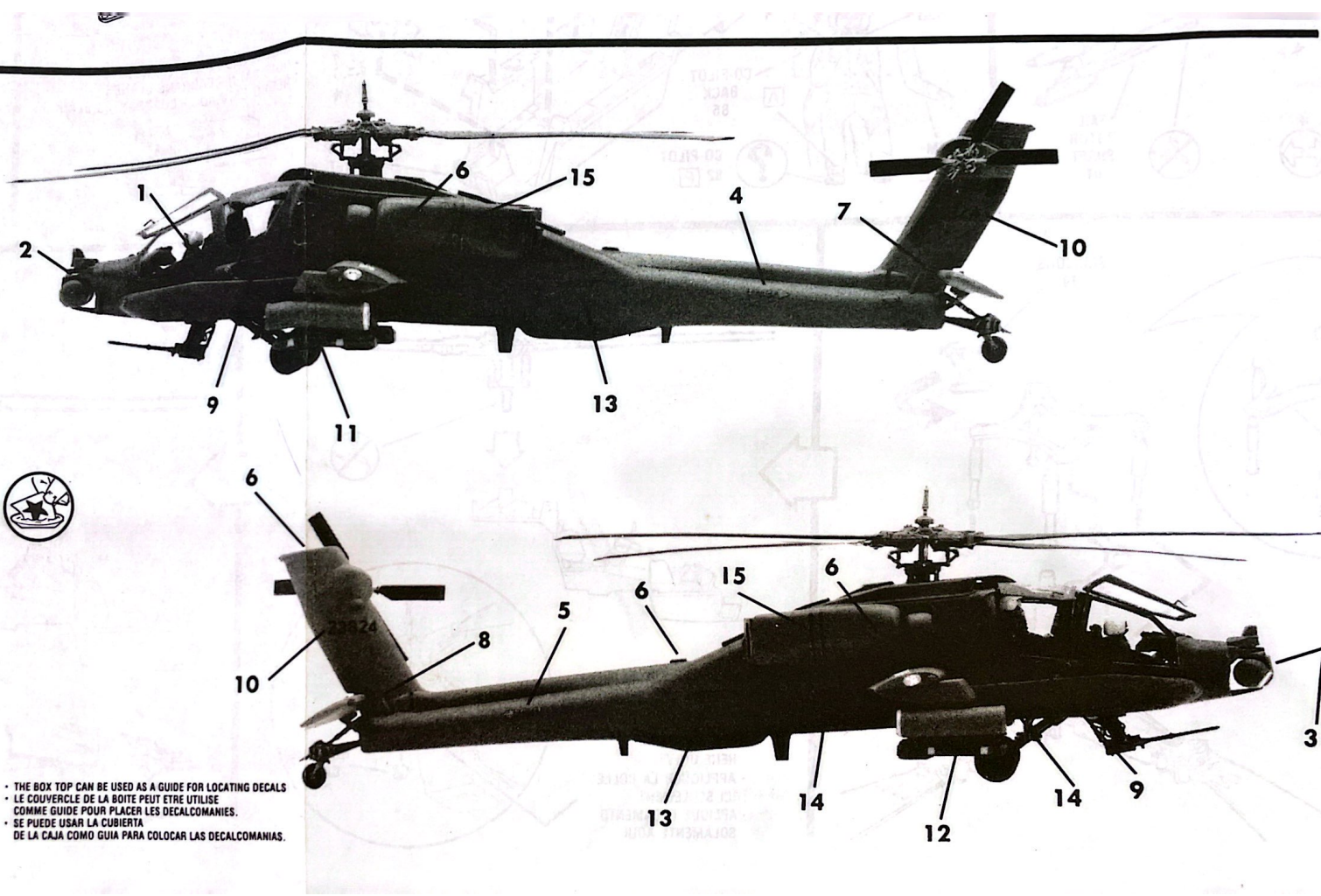
DOOR
HANDLES
47



- DOORS CLOSED
- PORTES FERMEES
- PUERTAS CERRADAS







• THE BOX TOP CAN BE USED AS A GUIDE FOR LOCATING DECALS
 • LE COUVERCLE DE LA BOITE PEUT ETRE UTILISE
 COMME GUIDE POUR PLACER LES DECALCOMANIES.
 • SE PUEDE USAR LA CUBIERTA
 DE LA CAJA COMO GUIA PARA COLOCAR LAS DECALCOMANIAS.