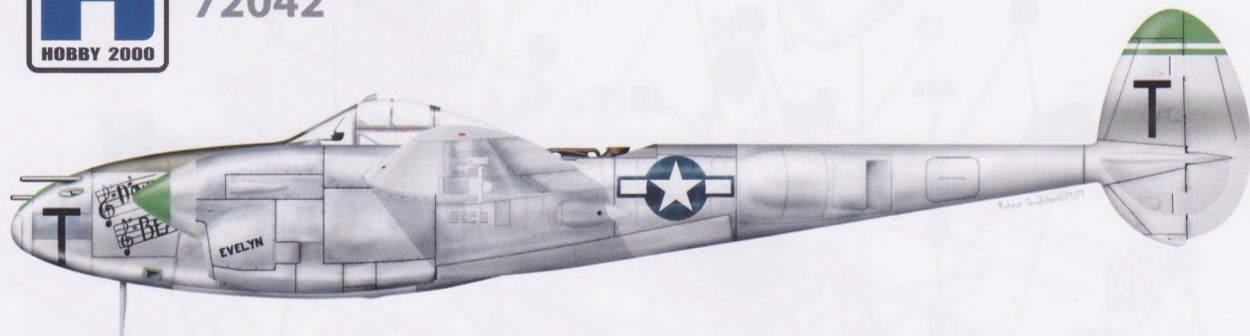


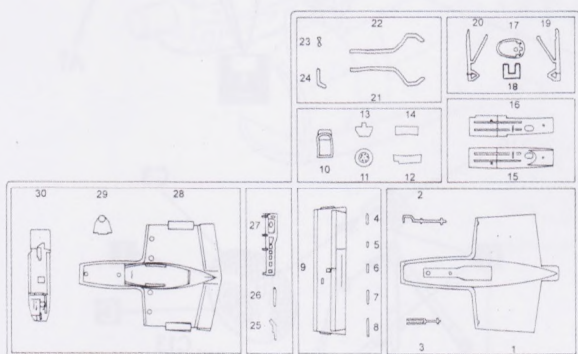


P-38J Lightning PTO 1944

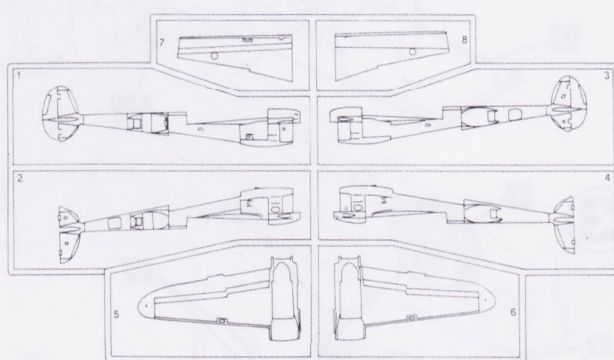
72042



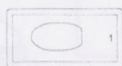
A



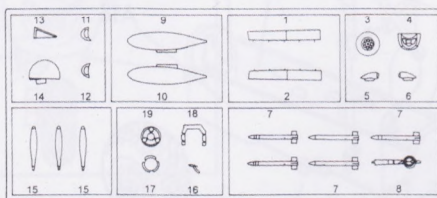
B



D



C



OPEN HOLE
FORO APERTO
OFFNEN
HACER AQUJERO
WYKONAC OTWOR
FAIRE UN TROU
VYVRTAT OTVOR



DECAL
DECALCOMANIE
ABZIEHBILD
CALCOMANIA
KALKOMANIA
DECALCOMANIE
OBTISK



REMOVE
RETIRER
ENTFERNEN
CORTAR
WYCIAC
SEPARARE
ODSTRANIT



OPTION
FACULTATIF
NACH BELIEBEN
HACER AQUJERO
DO WYBORU
FACOLTATIVO
VOLBA



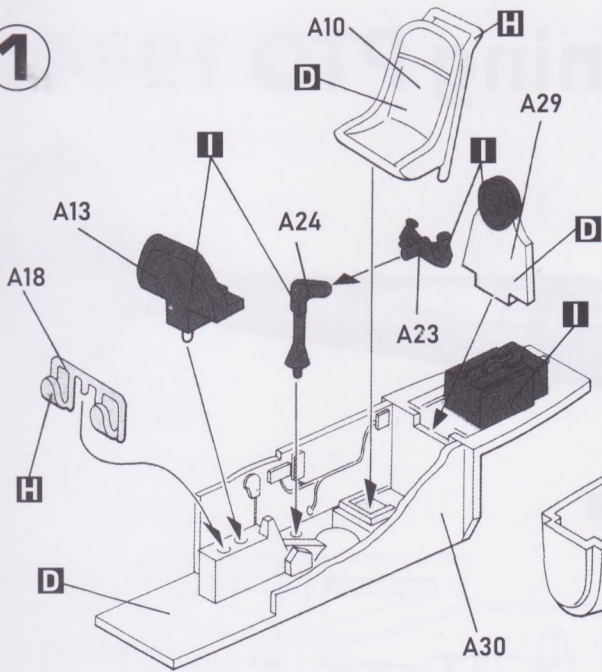
FILL HOLE
FORO PIENO
SCHLIESSEN
EMPUJE EL AQUJERO
ZAMKNAC OTWOR
BOUCHER LE TROU
ZAKRYJTE OTVOR



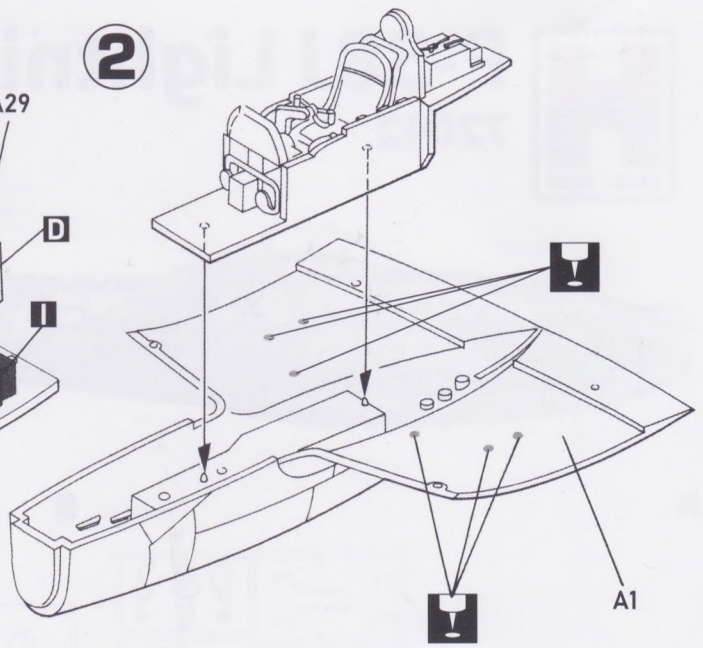
DO NOT CEMENT
NE PAS COLLER
NICHT KLEBEN
NO PEGAR
NIE SKLEJAC
NON INCOLLARE
NELEPIT

Color Chart		AK Interactive	Alclad2	AMMO	HATAKA	Mr. COLOR	Revell	TAMIYA
Olive Drab 41	A	RC259	E617	926	018	304	61	XF-62
Aluminium	B	RC020	119	194	078	MC-218	99	XF-16
Neutral Grey 43	C	RC261	E660	239	033	013	43	XF-53
Yellow Green	D	RC262	E309	220	211	027		XF-4
Yellow	E	RC007	E658	032	104	004	15	X-8
ANA 503 Light Green	F	RC012		124	221	066	64	
Blue	G	RC011	E640	123	220	314	56	XF-8
Steel	H	AK-476	112	191		028	91	X-11
Flat Black	I	RC001	E102	046	100	033	08	XF-1
Flat White	J	RC004	101	050	101	062	05	XF-2
Leather	K	AK-11110	302	133	186	044	37	XF-10
Clear Red	L	RC503	401	093	CC02	047	731	X-27
Clear Blue	M	RC504	403	098	CC01	050	752	X-23
Clear Yellow	N	RC507	402	097		048	730	X-24
Burnt Metal	O	AK-485	121	187	016	061		XF-84

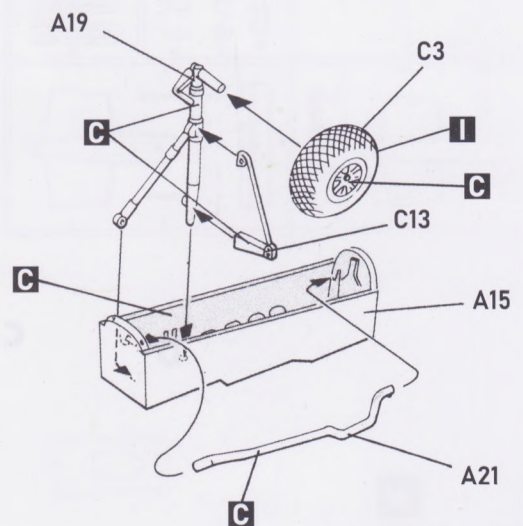
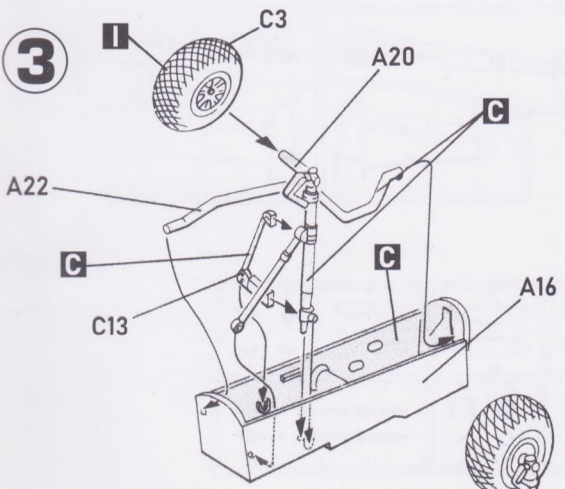
1



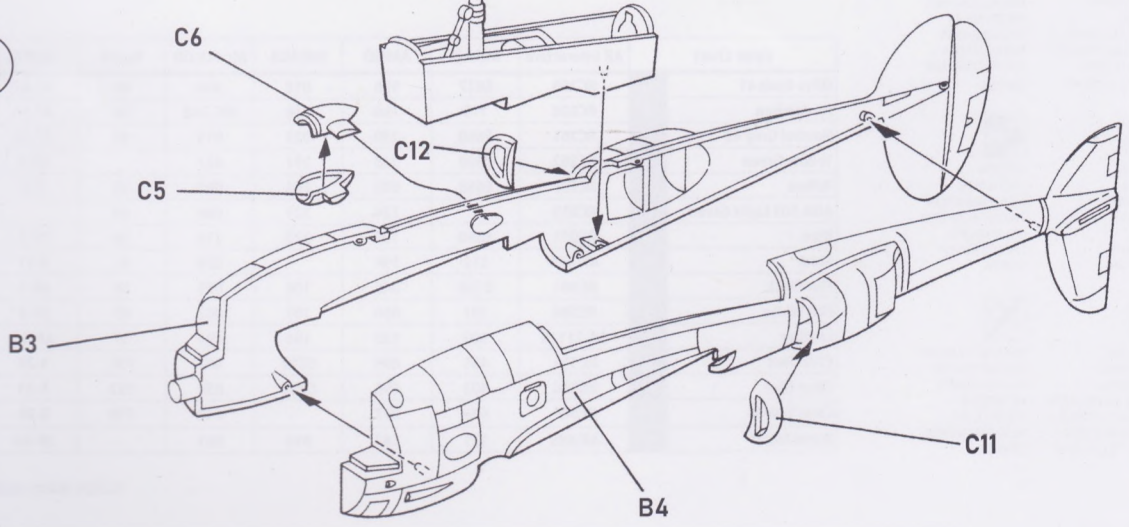
2



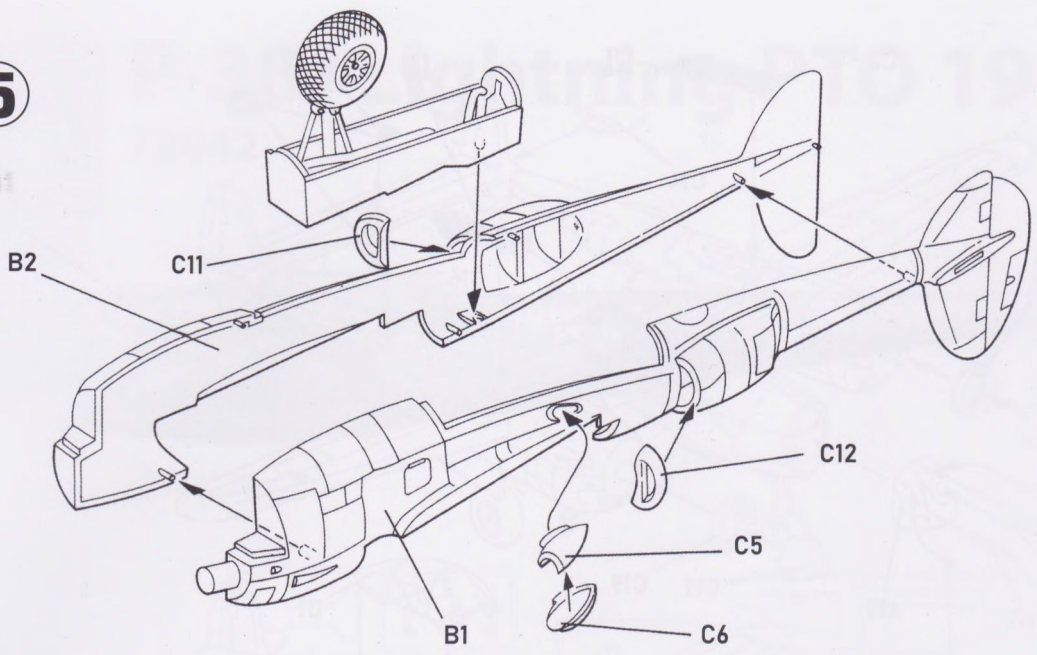
3



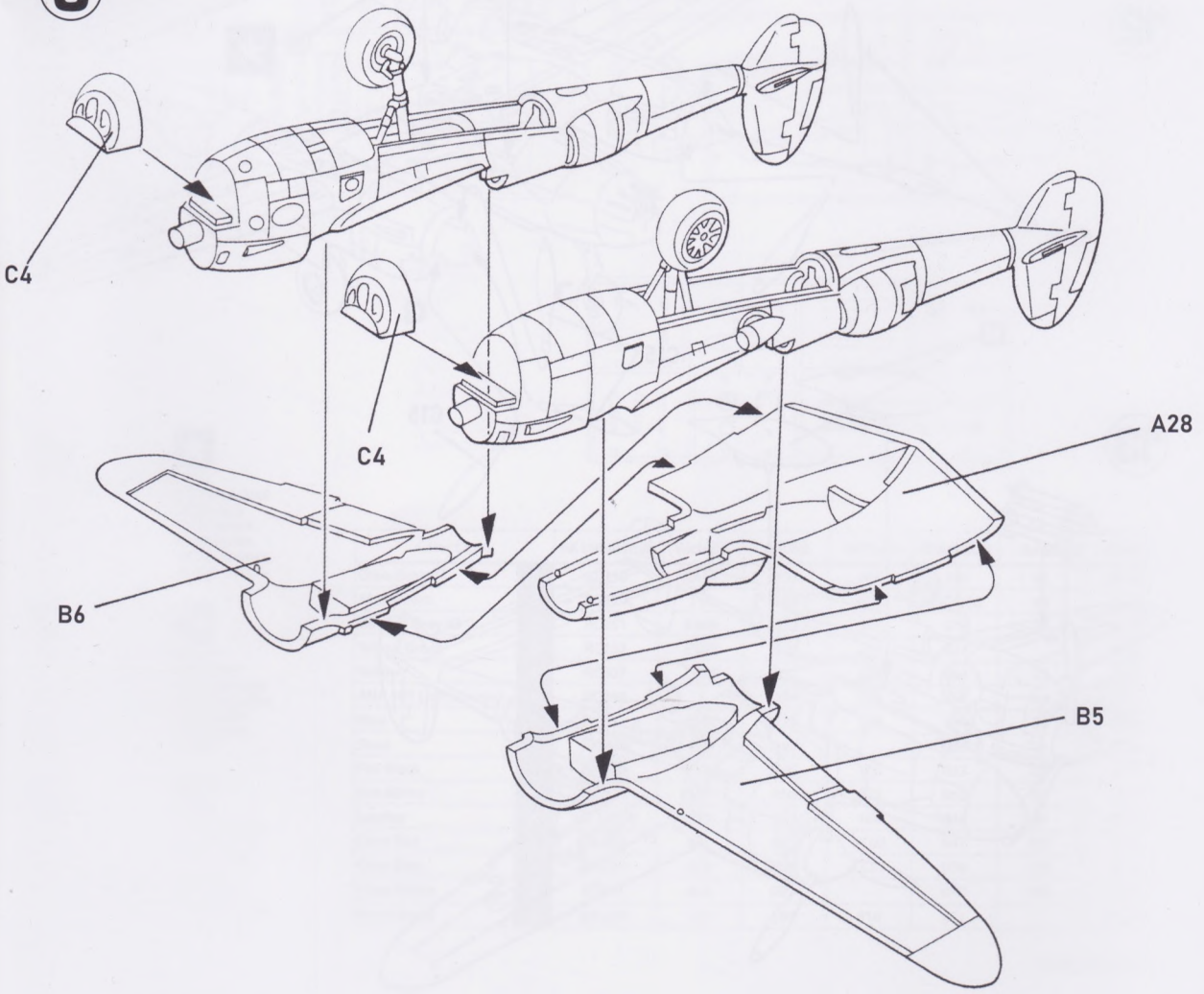
4



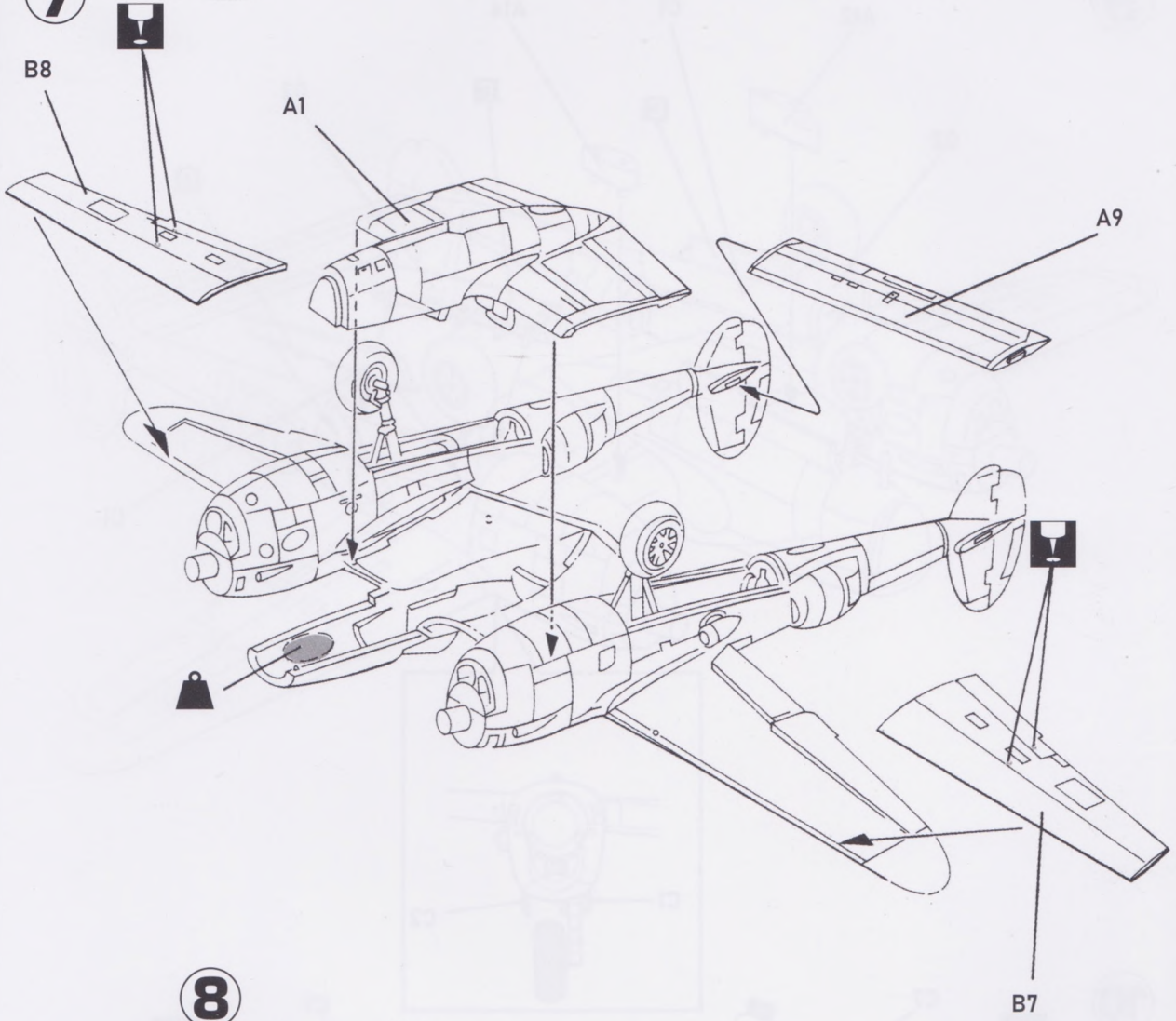
5



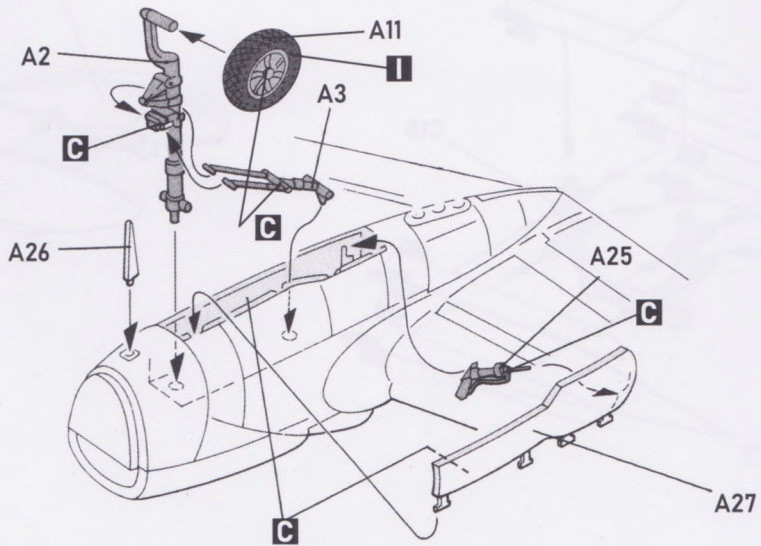
6



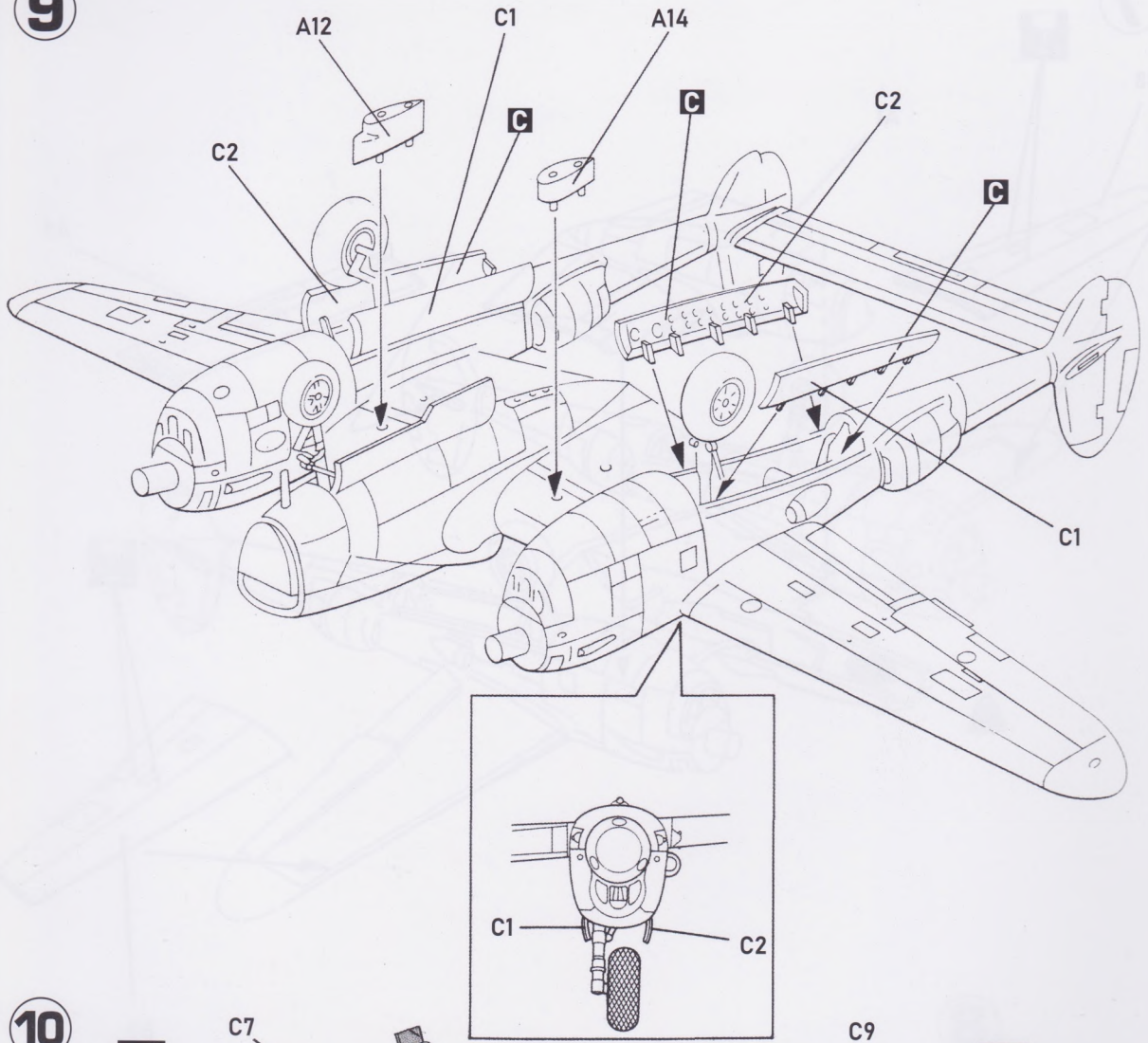
7



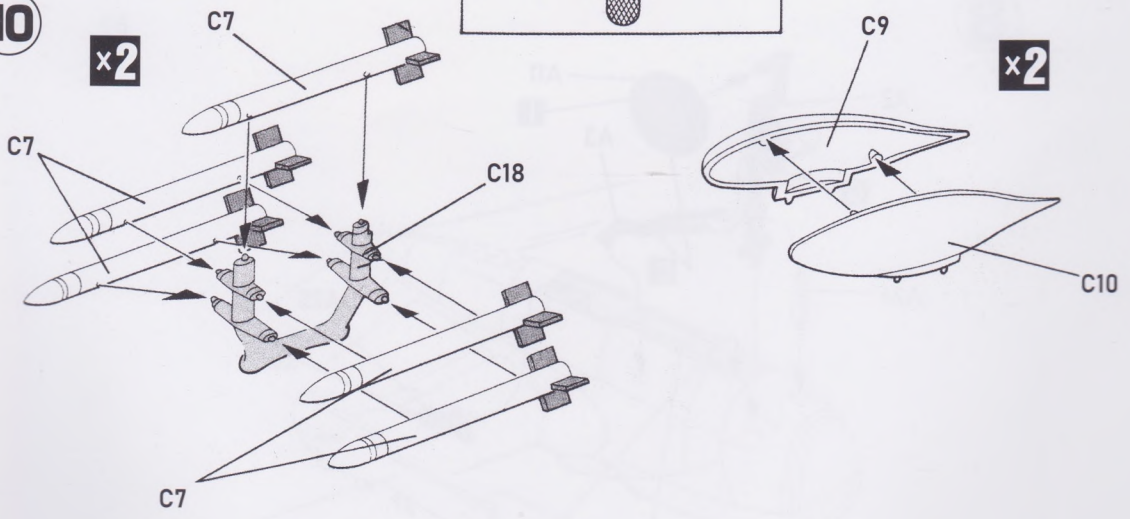
8



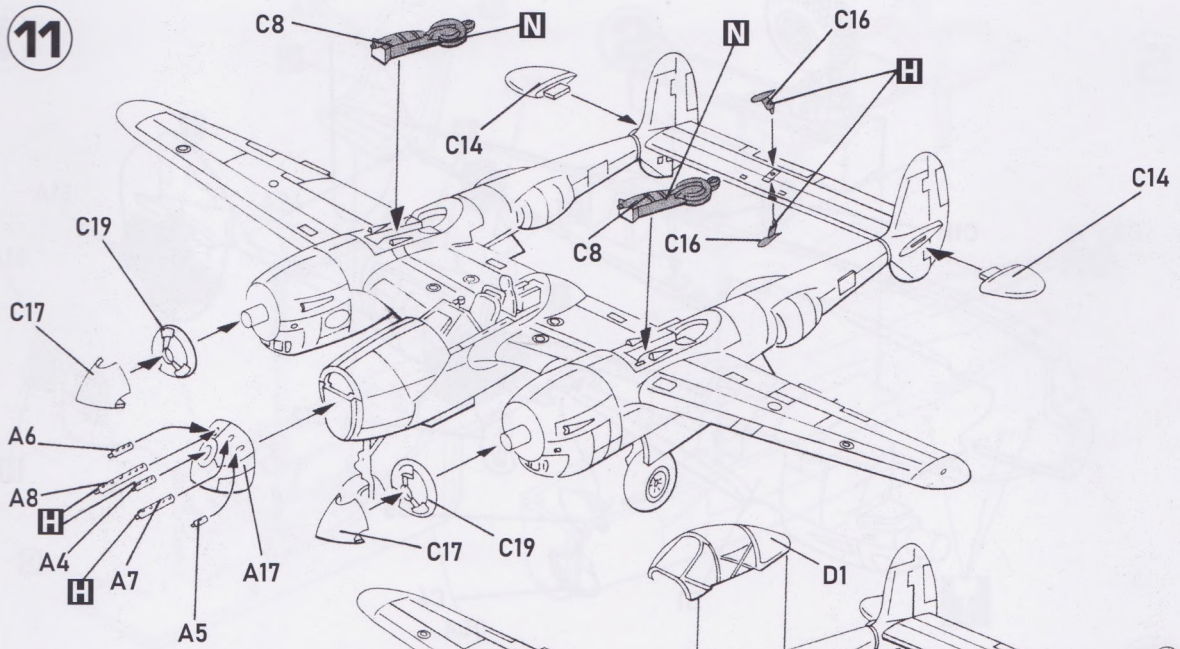
9



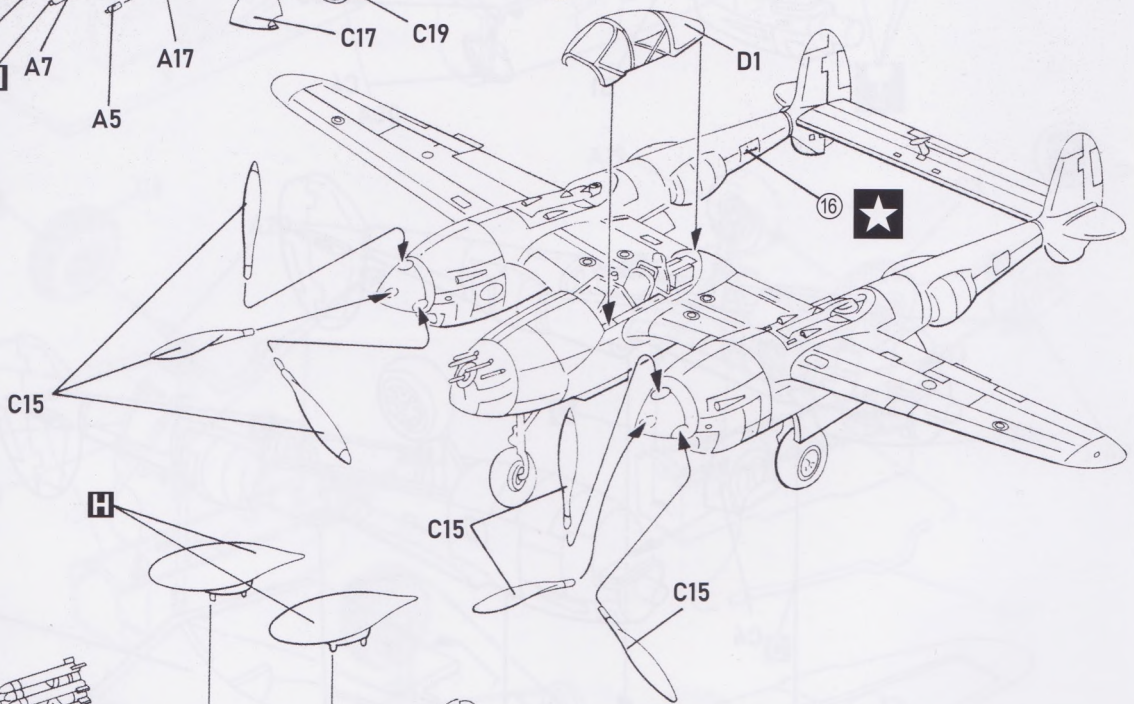
10



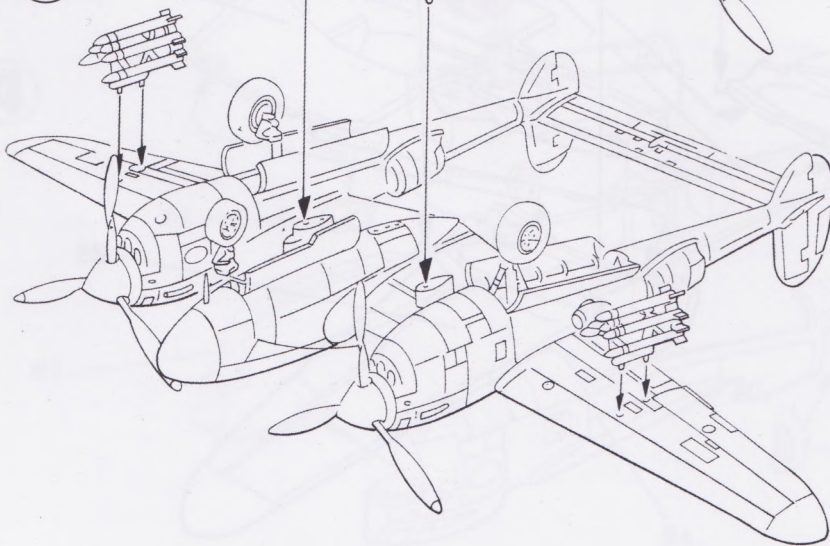
11



12



13



2

P-38J, s/n 42-104012, 80th FS, 8th FG,
 flown by Maj. Richard Bong on 12 April 1944
 when he surpassed Eddie Rickenbacker's aerial
 victory record, Nadzab, New Guinea.

72042