

F-16C

**Block 50/52 Polish
Air Force (with CFT)**



F-16C Block 50/52 Polish Air Force (with CFT)

Poland ordered a total of 48 F-16C fighter aircraft from Lockheed Martin in 2002 in a deal worth \$3.5 billion. The first Polish F-16 took to the skies in the United States in early 2006.

The Polish F-16 Block 52 aircraft are powered by the Pratt and Whitney F-100-229 engine. The aircraft are also fitted with latest avionics available, including the APG-68(V)9 radar which provides high-resolution ground imaging, enabling day/night all-weather, precision weapons delivery and the ALQ-211(V)4 electronic warfare suite.

Additionally, the multi-role fighter developed for Poland is equipped with a helmet-mounted cueing system used for directing precision guided munitions and off-boresight missiles as well as for increasing pilot situational awareness. The aircraft is designed to be fully interoperable with NATO and European Union missions. Furthermore, the deal also includes a major weapons package, including the AIM-9X Sidewinder and the AIM-120C AMRAAM missile, as well as GPS-guided Joint Stand-Off Weapon (JSOW-C) and Joint Direct Attack Munition (JDAM) bombs for use in day/night and adverse weather conditions. The aircraft are fully compatible with the latest high-tech targeting and navigation sensors and reconnaissance platforms.

The Polish F-16s is equipped with the Sniper Extended Range pod, which is an advanced targeting pod designed with an infrared pointer, laser, day TV, forward looking infrared, laser spot tracker and advanced algorithms. The pod delivers superior tracking performance and reliability. Actually, the Polish F-16s are involved on the Policing of the NATO Country Borders due to the War in Ukraine and the threat of a Russian Aggression.

CAUTION

- *Read carefully and fully understand the instructions before commencing assembly.
- *Keep out of reach of children. Children must not be allowed to put any parts in their mouths, or pull plastic bag over their heads.
- *When using adhesives and paints, please make sure not to use them in closed room or near the fire.
- *When assembling this kit, tools including knives are used. Extra care should be taken to avoid injury.

WARNING: CONTAIN SMALL PARTS NOT FOR CHILDREN UNDER 14 YEARS OF AGE



Drill



Remove



2 Set



Bend



Optional



Decal



Super Glue



Fill Hole



No Cement



Be Careful

TOOLS RECOMMENDED

Cement



Side Cutter



Modeling Knife



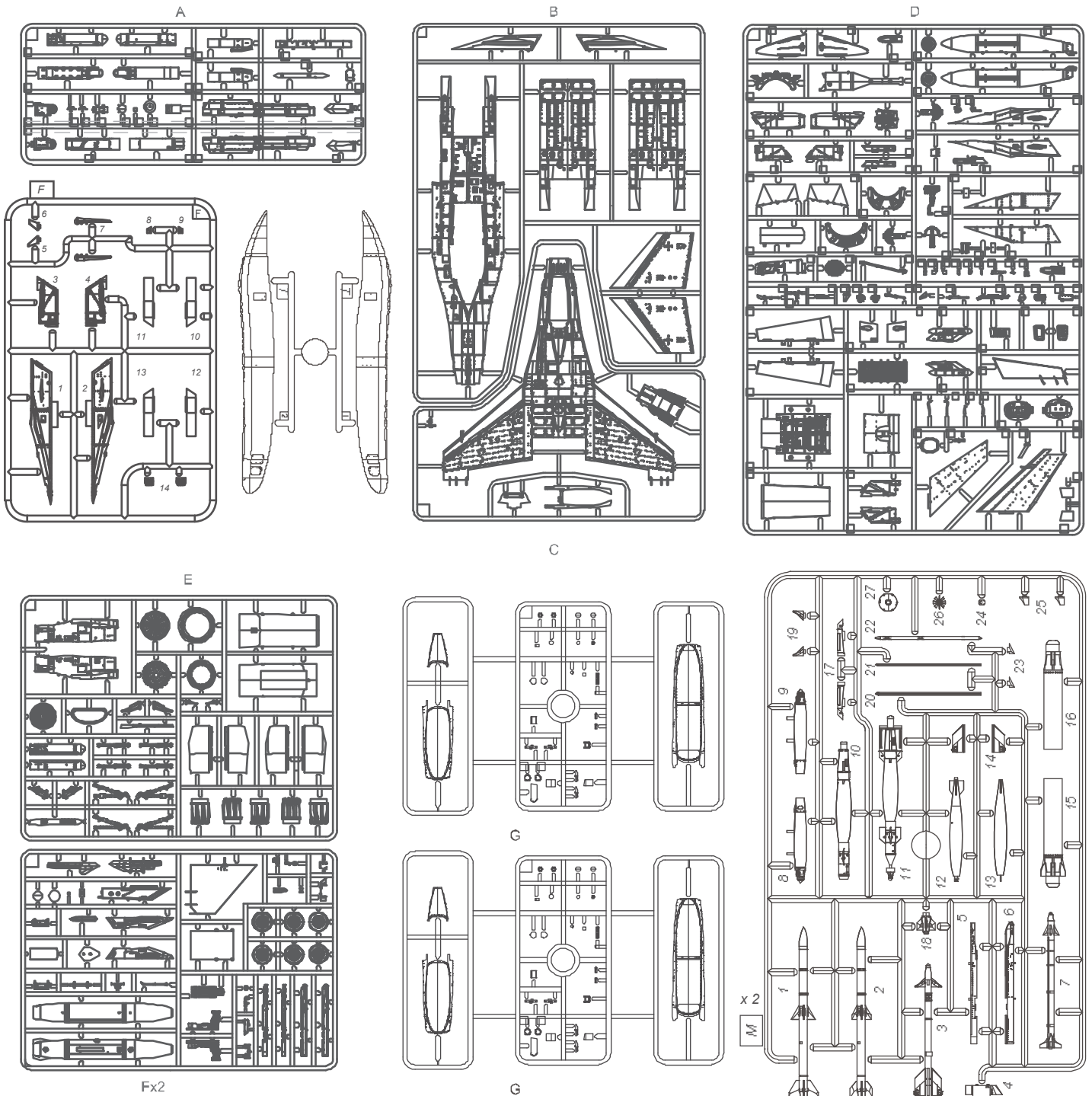
Tweezers



AFTERMARKET SERVICES CARD

When requesting replacement parts, please take or send this form to your local dealer so that the parts required can be correctly identified. Please note that specifications and availability are subject to change without notice. Or visit <http://www.kineticmodel.com> for latest information. For more information, please contact services@kineticmodel.com

Part Code	Qty	Item	Part Code	Qty	Item
00-100-016	1	F	00-180-005	1	E
00-100-021	2	M	00-180-006	2	F
00-100-053	1	T	00-180-007	1	G
00-180-001	1	A	00-180-007-S	1	G
00-180-002	1	B	01-100-001	1	DECAL
00-180-003	1	C	01-180-48156	1	DECAL
00-180-004	1	D	03-180-48156	1	MANUAL

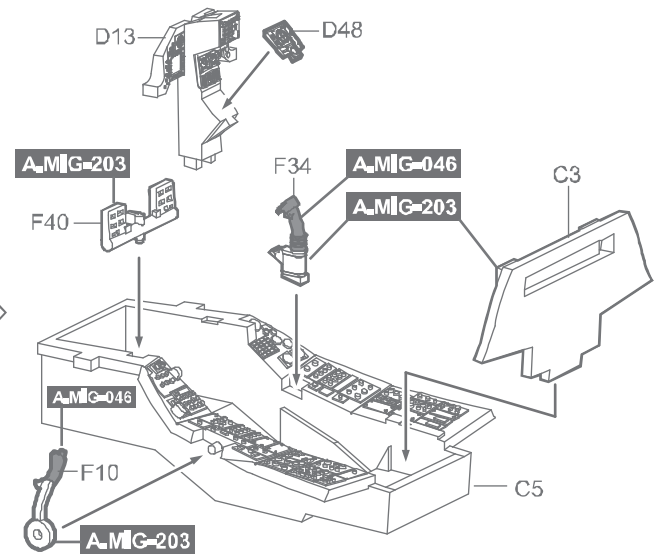
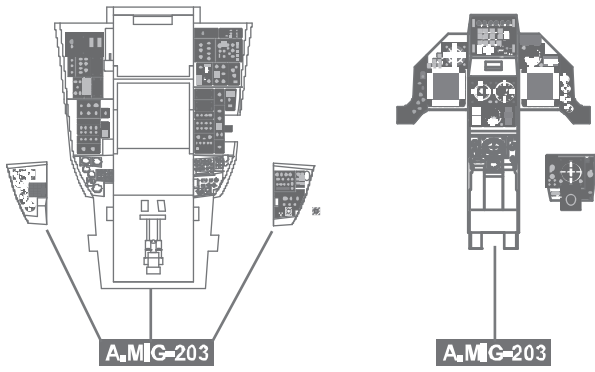




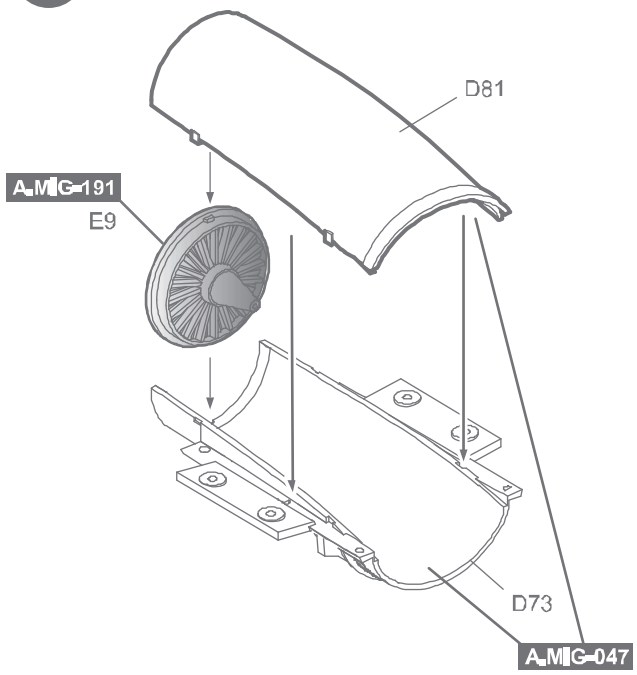
COLOR	AMMO MIG	VALLEJO MODEL COLOR	GSI CREOS MR. COLOR	TAMIYA ENAMEL/ACRYLIC	HUMBROL ENAMEL
DARK BLUE	-	-	326	-	-
SATIN BLACK	A.MIG-032	70.937	2	X-18	21
GUN METAL	A.MIG-045	70.863	78	X-70	53
MATT BLACK	A.MIG-046	71.057	33	XF-1	33
SATIN WHITE	A.MIG-047	70.842	1	X-2	22
YELLOW	A.MIG-048	71.002	4	XF-3	69
BLUE	A.MIG-086	71.089	323/5	X-4	14
CRYSTAL RED	A.MIG-093	70.934	47	X-27	220
CRYSTAL BLUE	A.MIG-098	70.938	50	X-23	-
BLOOD RED	A.MIG-121	-	327	-	-
BURNT IRON	A.MIG-187	71.073	61	XF-4	-
STEEL	A.MIG-191	70.864	28	-	27003
SILVER	A.MIG-195	71.063	8	X-11	11
GOLD	A.MIG-198	71.066	9	X-12	16
GHOST FRAY FS 36375	A.MIG-203	70.990	308	-	-
GUNSHIP GRAY FS 36118	A.MIG-204	71.047	305	XF-77	125
FS 36320	A.MIG-208	71.120	307	-	128
FS 36495	A.MIG-209	71.276	338	-	--
FS 36270	A.MIG-211	71.275	306	-	126
DARK OILVE DRAB	A.MIG-237	70.861	12	XF-62	-

For Color Profile, please go to www.kineticmodel.com for download
(type the kit# and go for manual/painting guide)

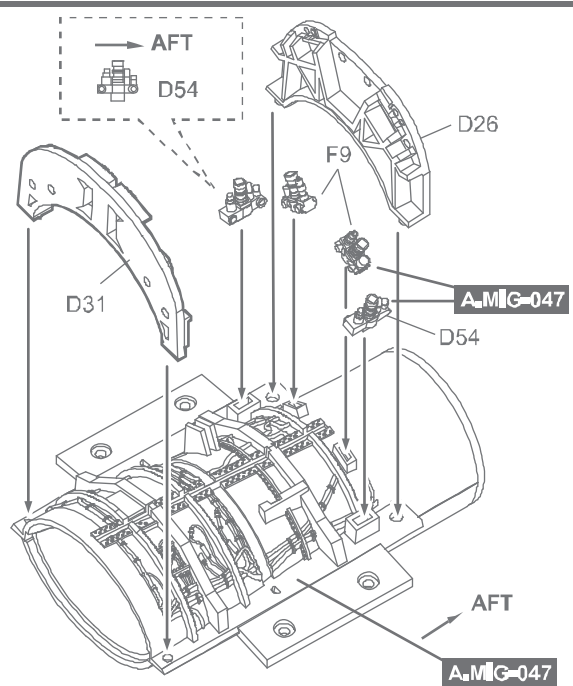
1



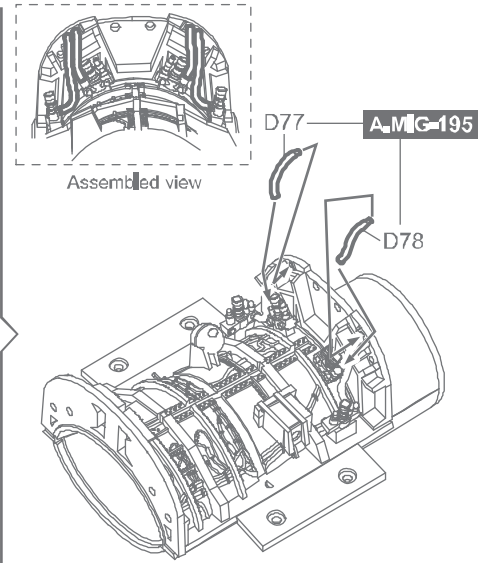
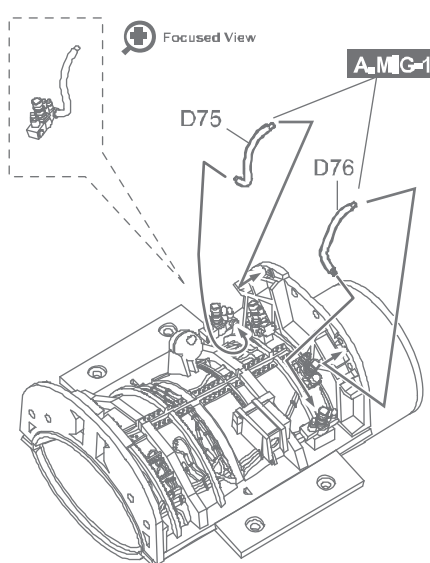
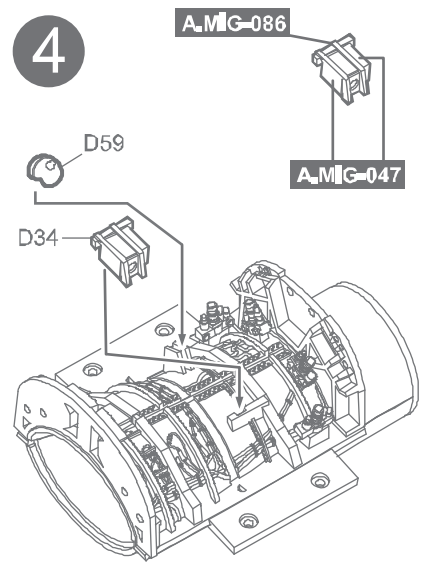
2



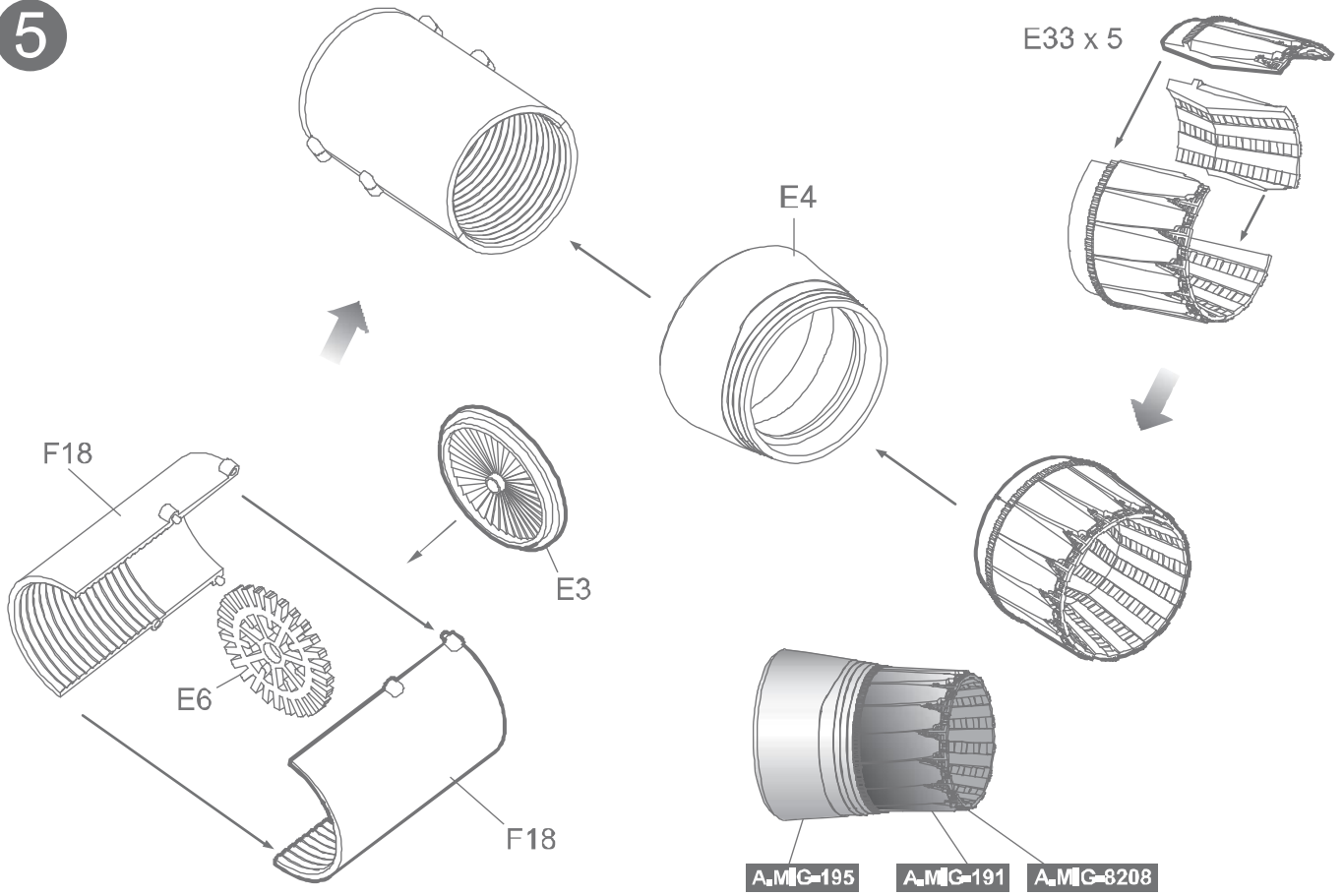
3



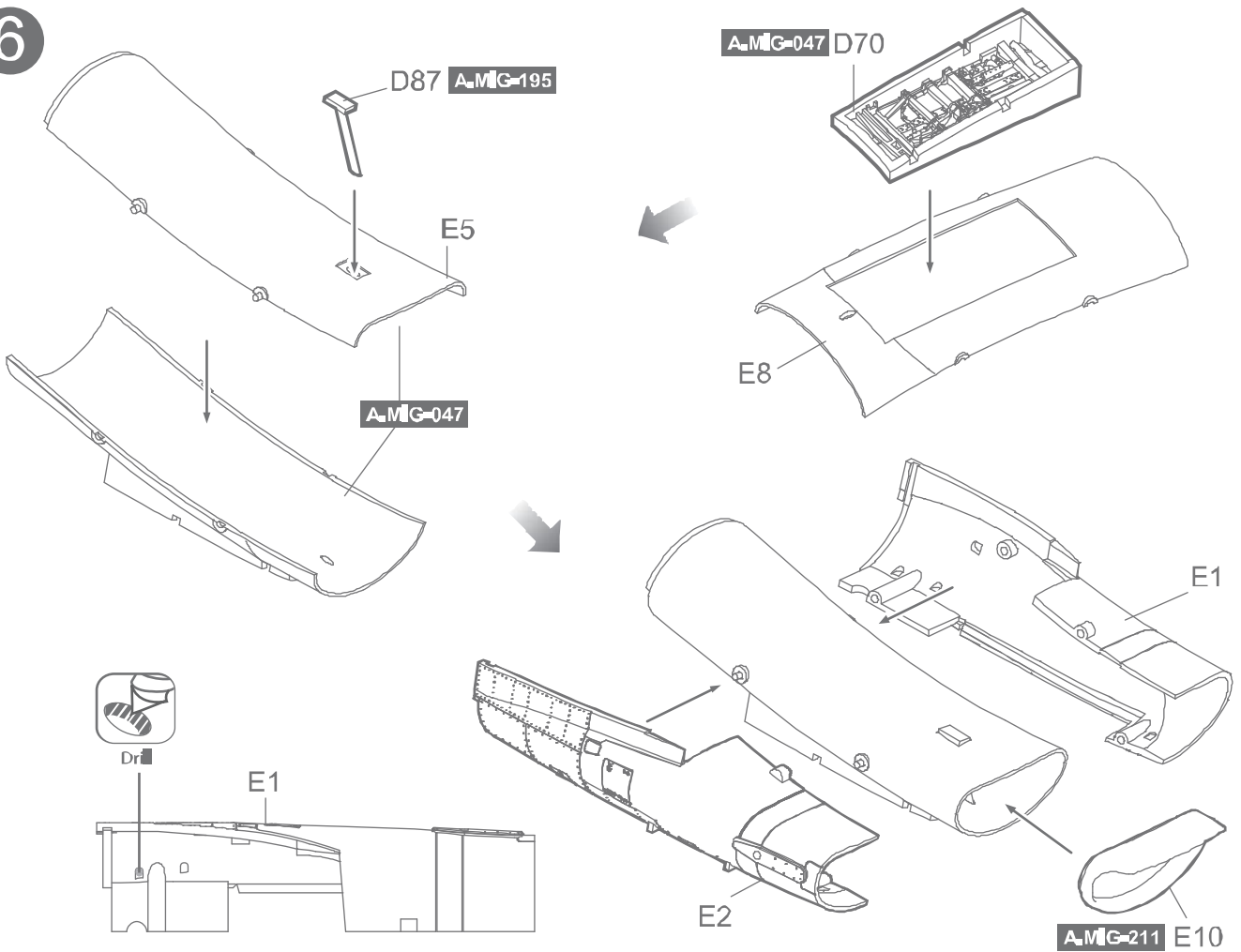
4



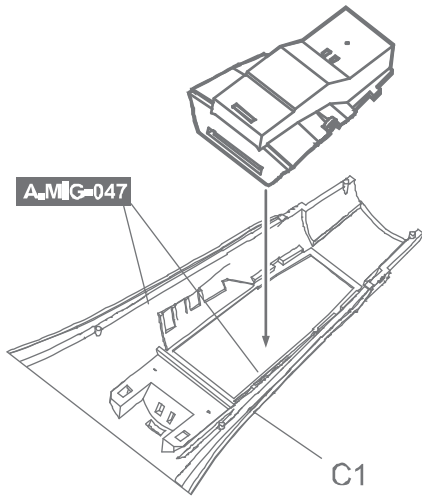
5



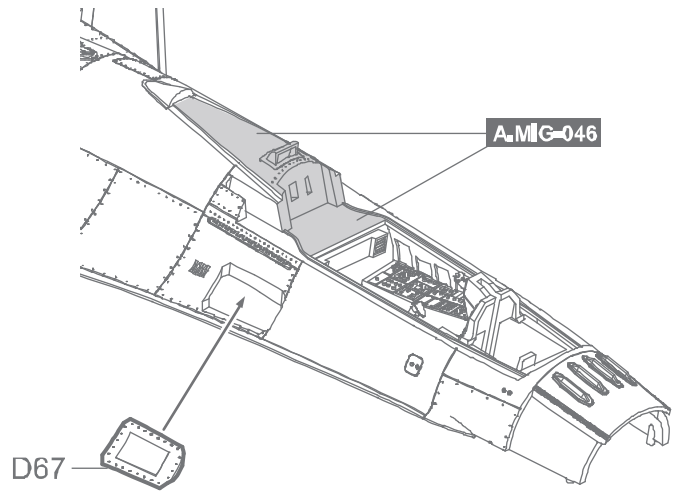
6



7

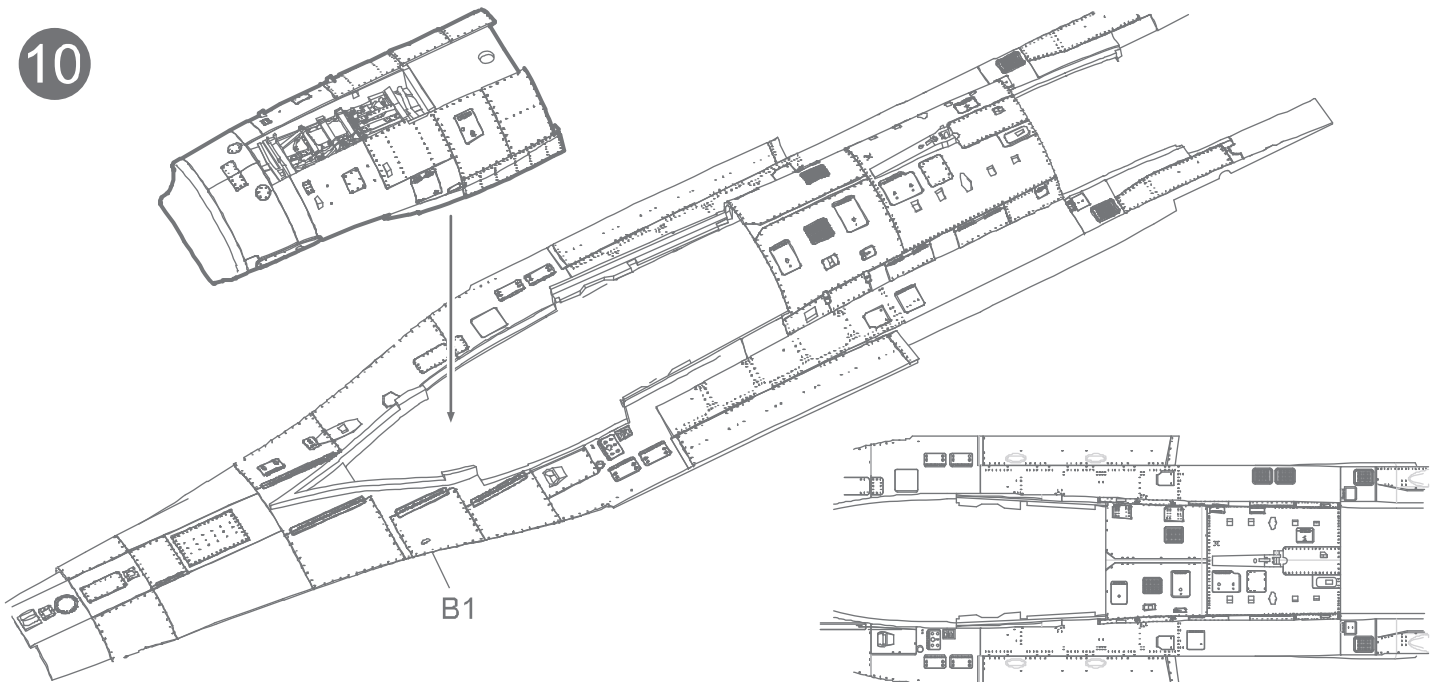


8

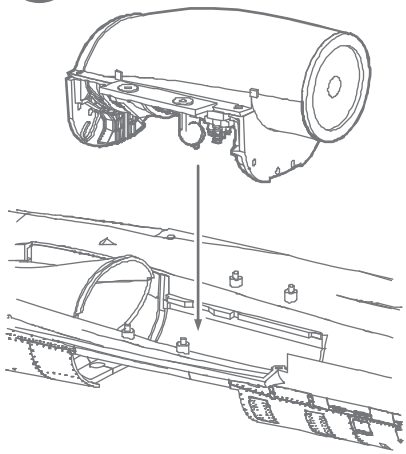


9

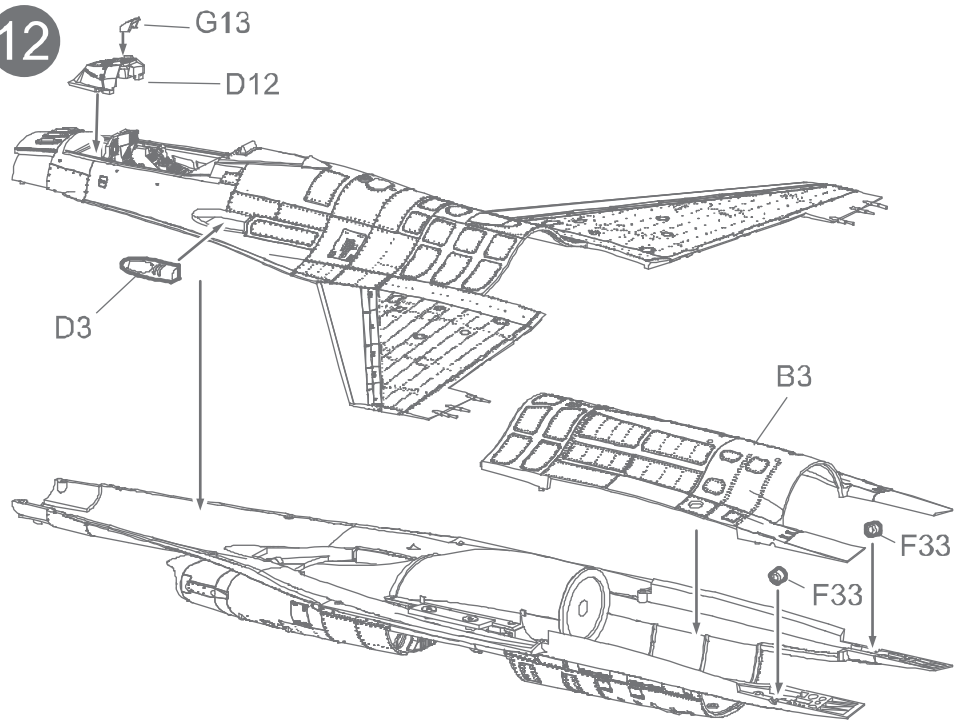
10



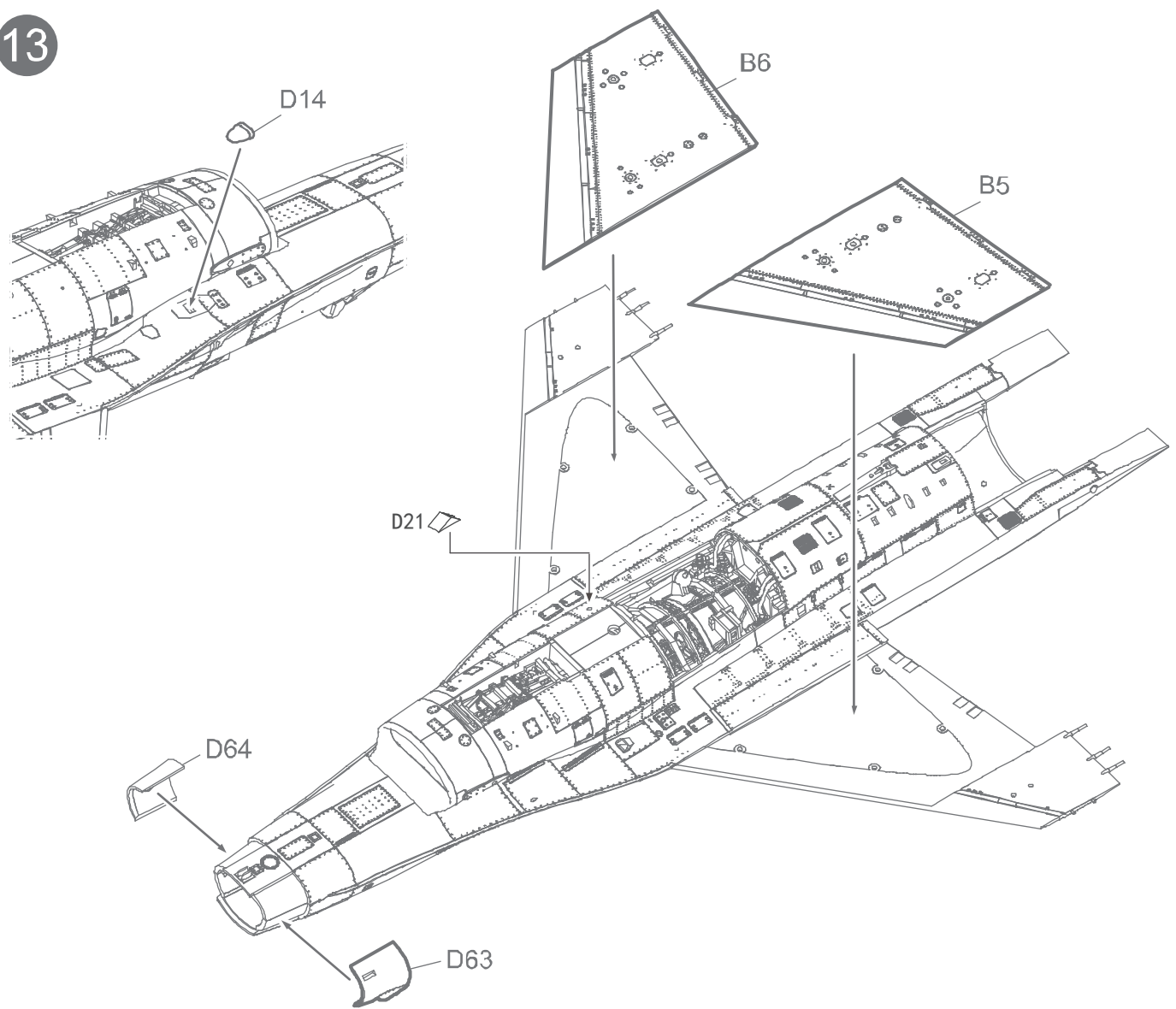
11



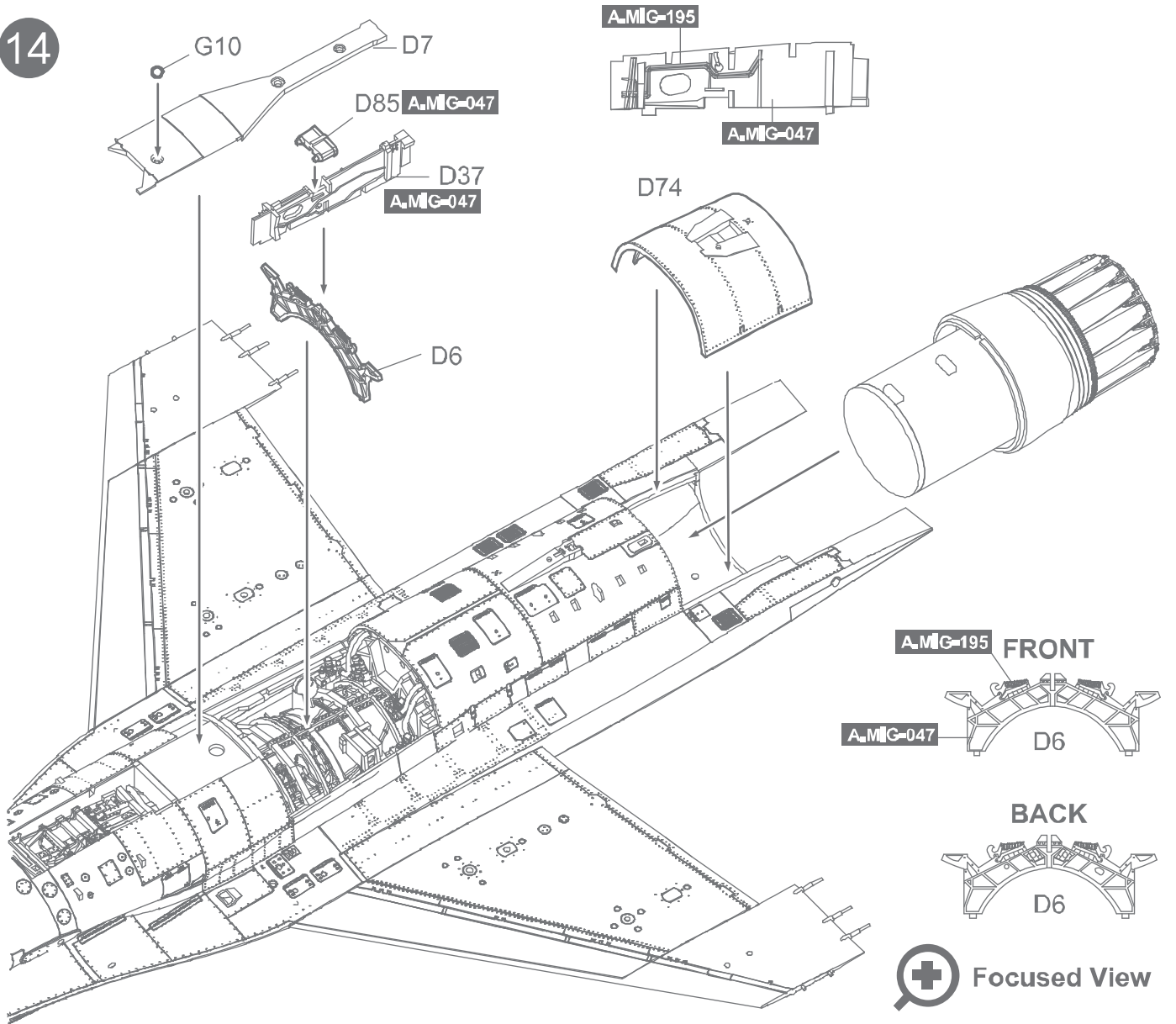
12



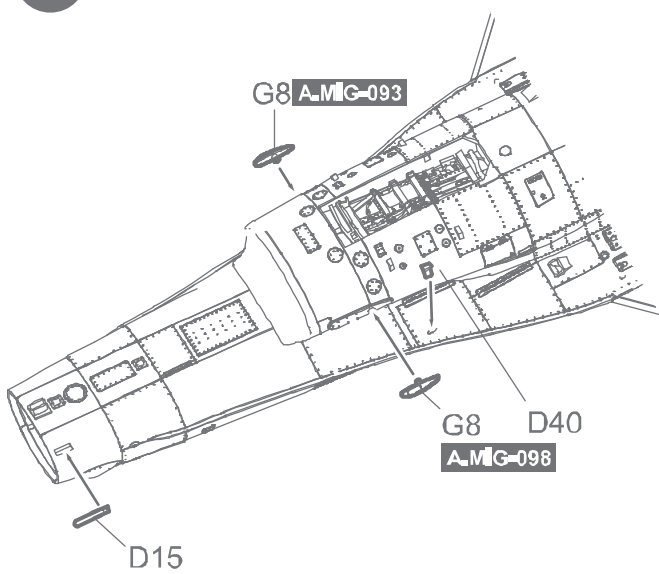
13



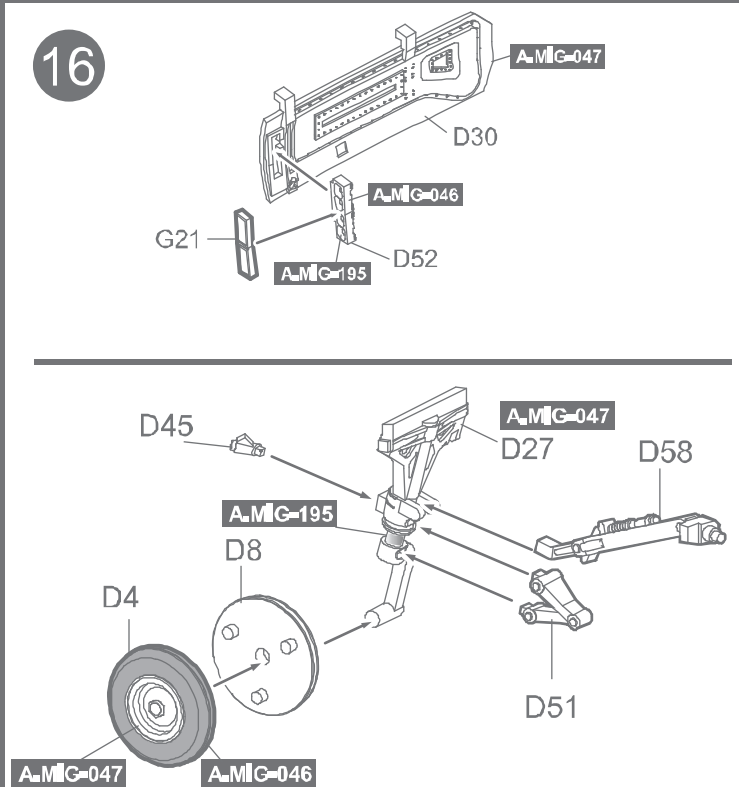
14



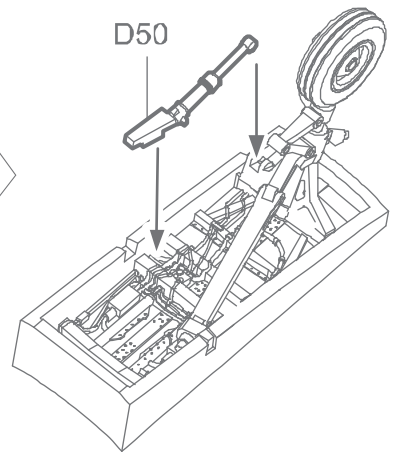
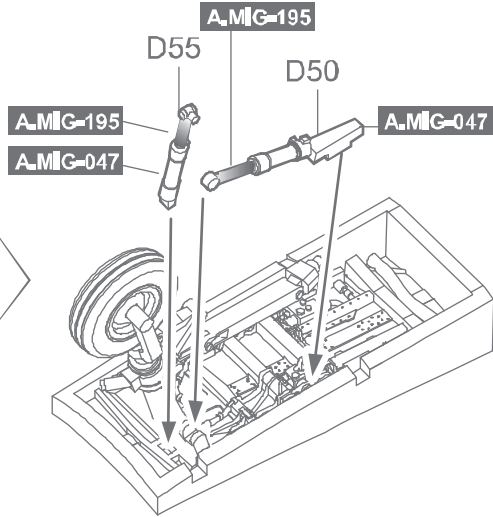
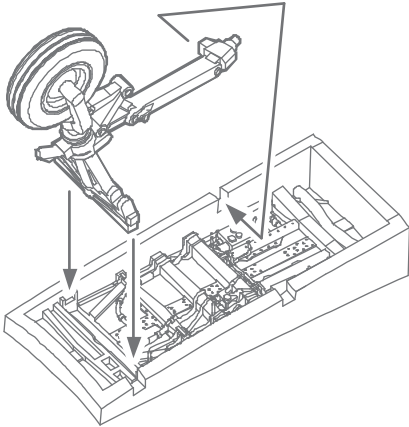
15



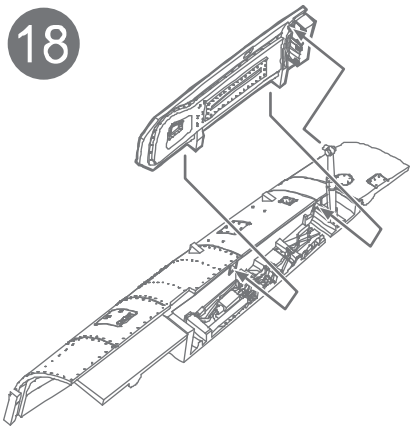
16



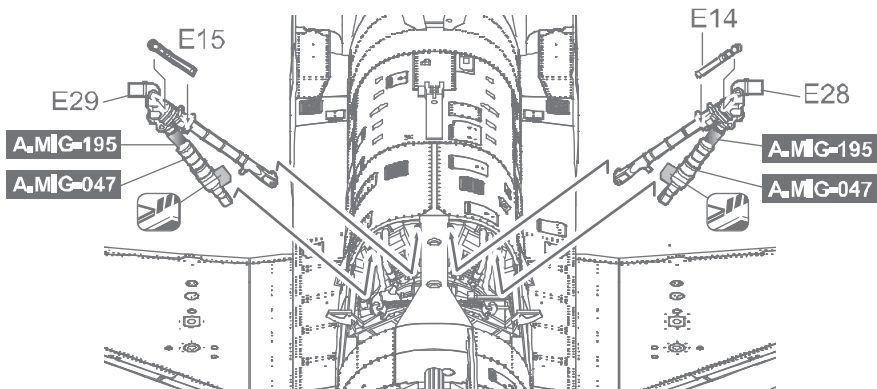
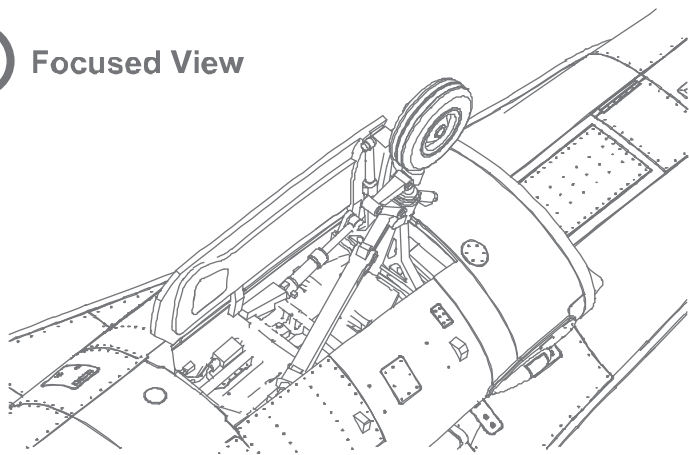
17



18



⊕ Focused View



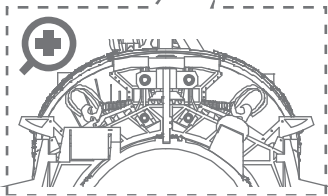
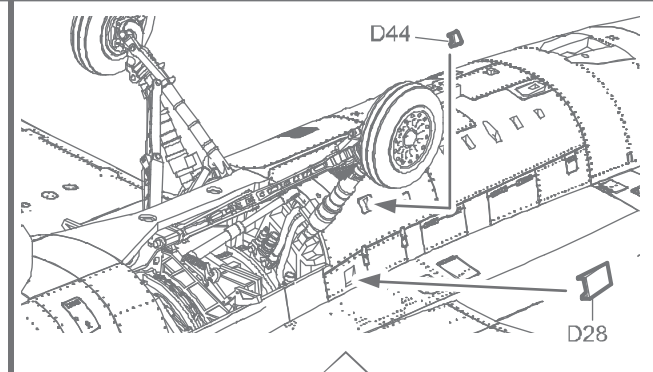
20

AFT

E19(E18)

E20(E21)

A.MIG-047



A.MIG-195

A.MIG-047

F31(F31)

A.MIG-046

A.MIG-047

F19

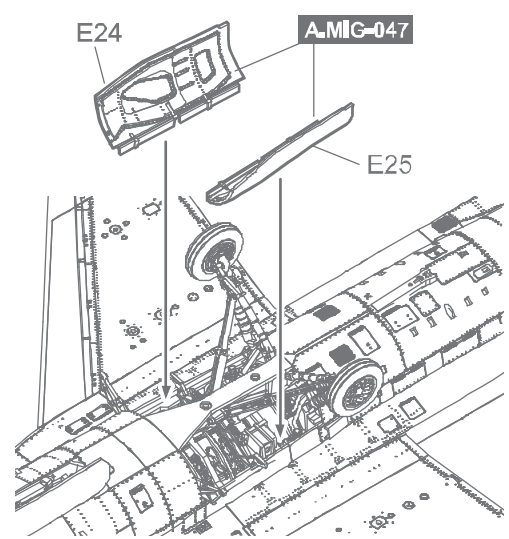
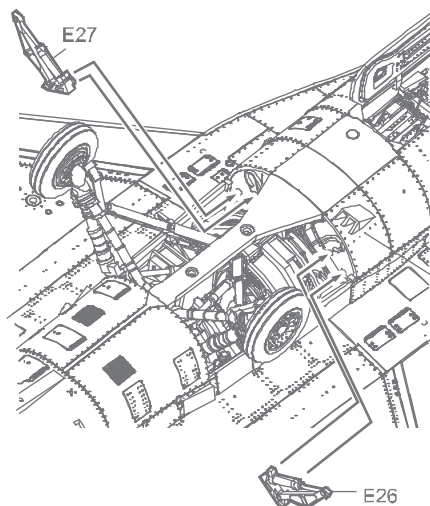
F20

x2

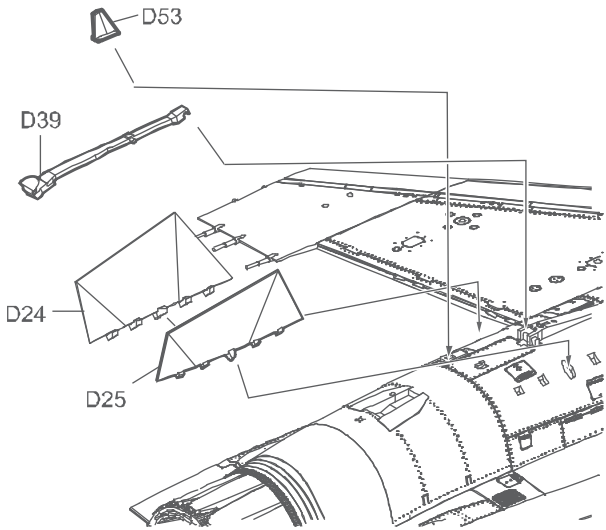
21

D35

22



23

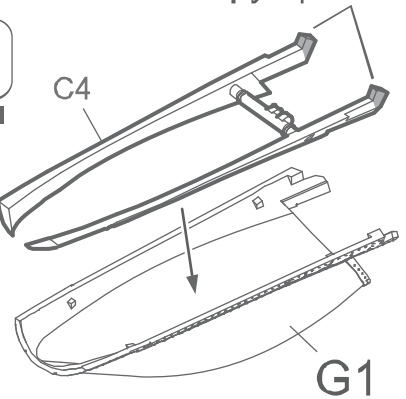


Cut for closed canopy option.

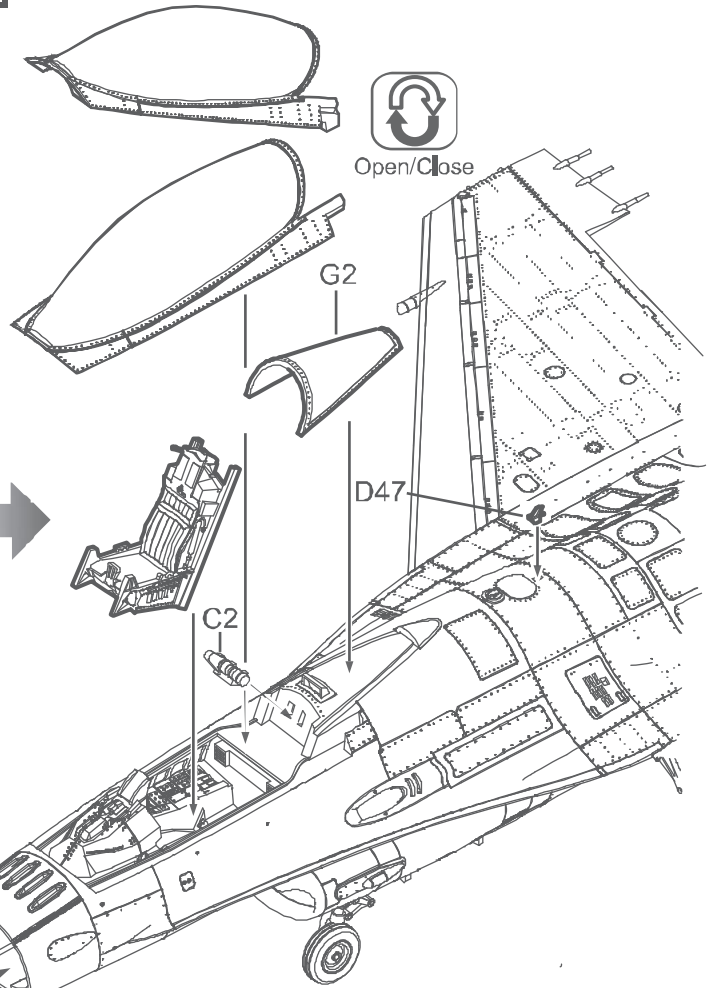
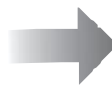
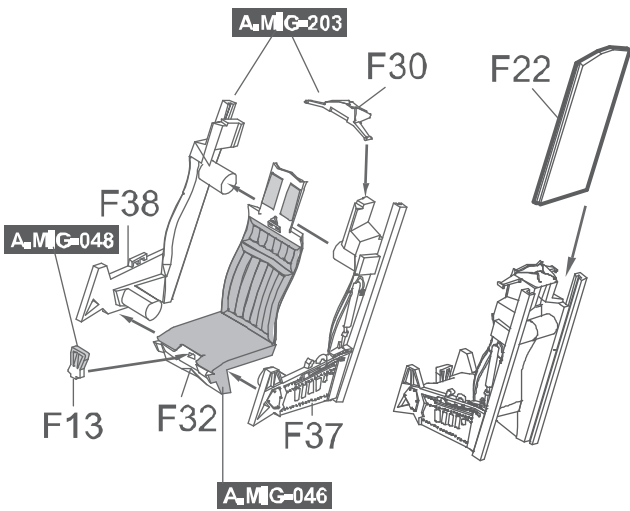


A.MIG-046

C4



24

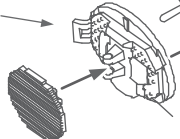
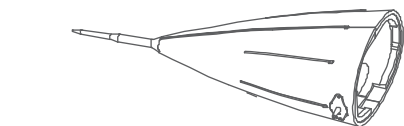


Open/Close

G2

D47

C2



D79 A.MIG-203

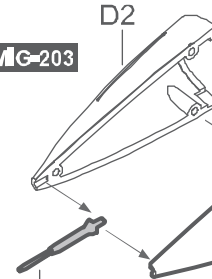
D38 A.MIG-011



Open/Close



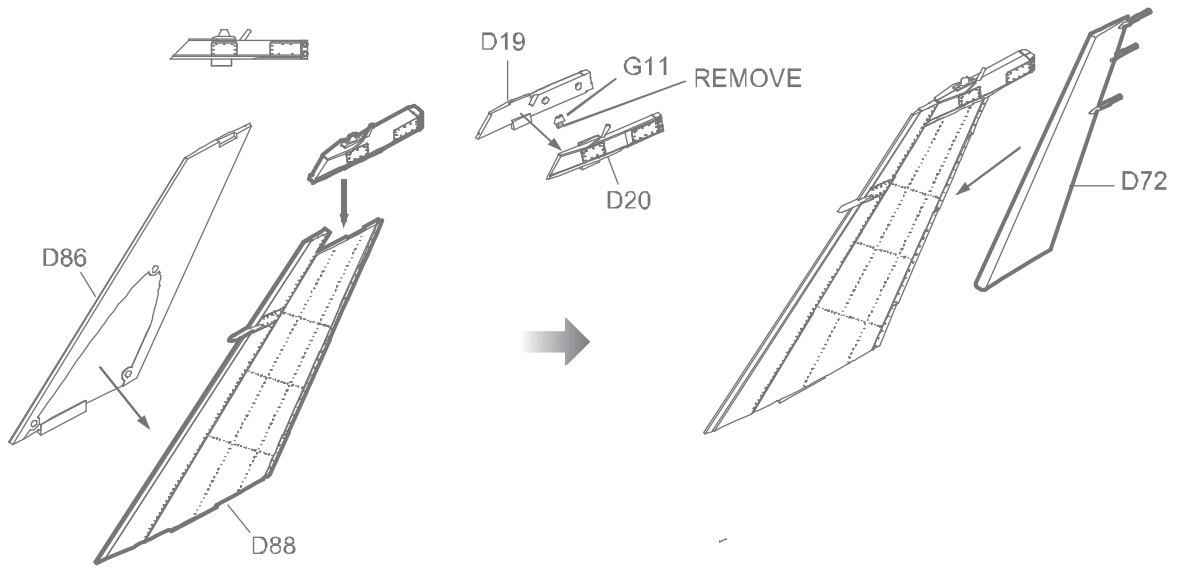
D2



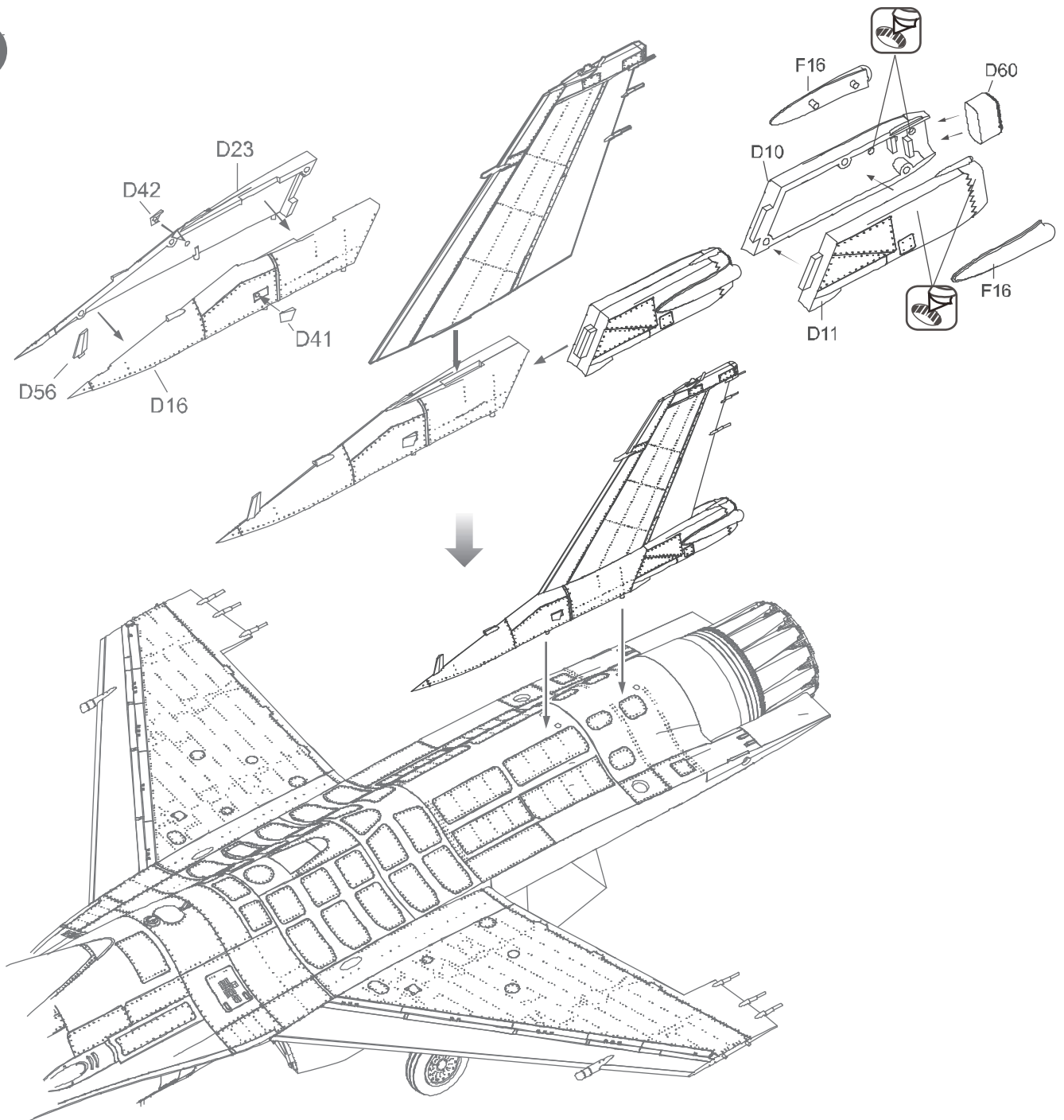
D57 A.MIG-195

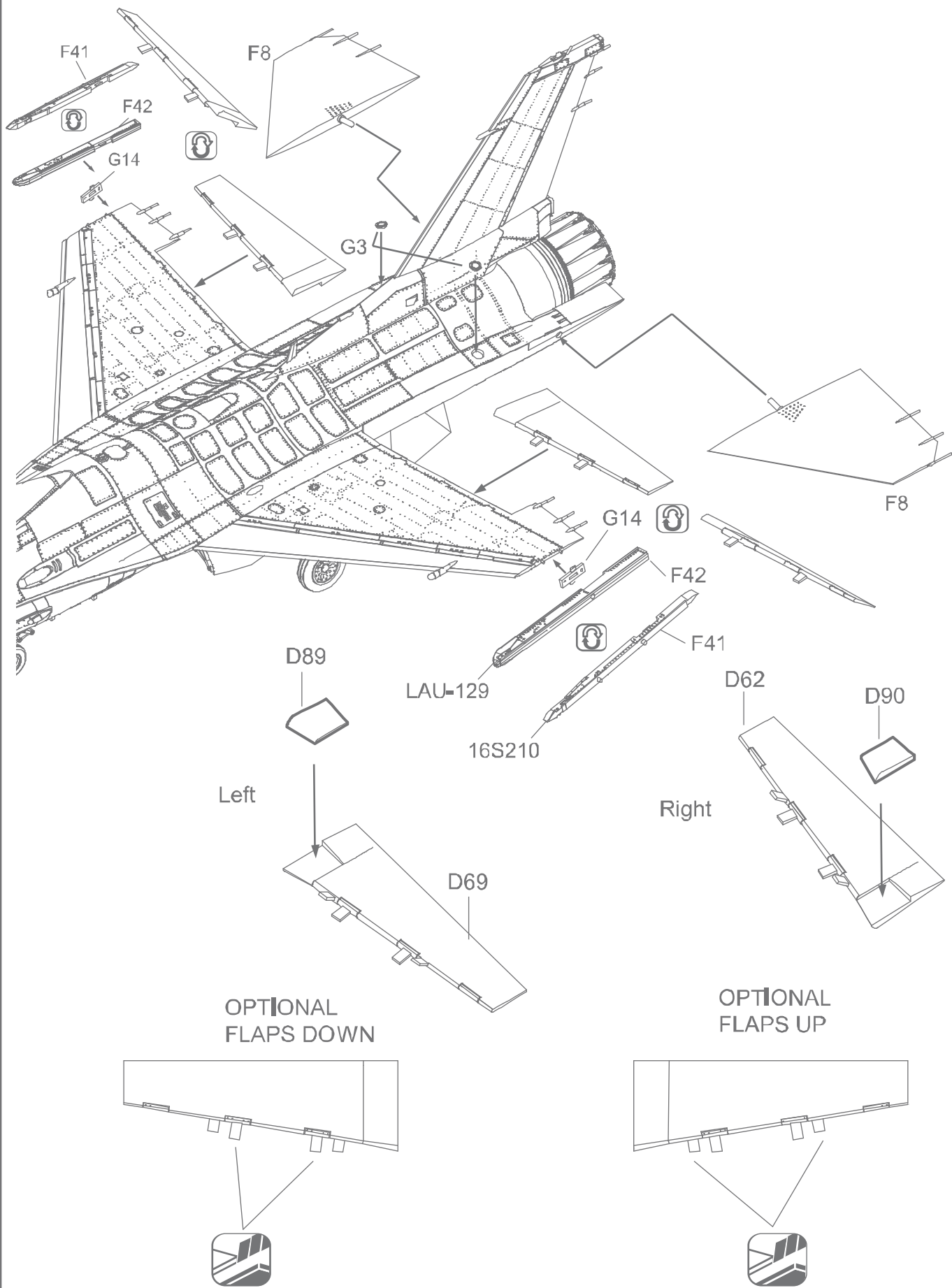
D1

25

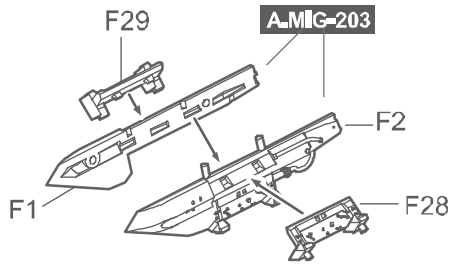


26

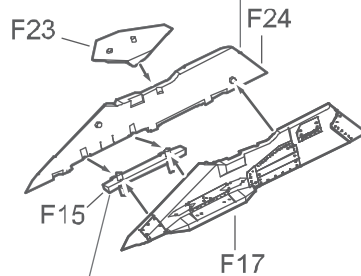




TER

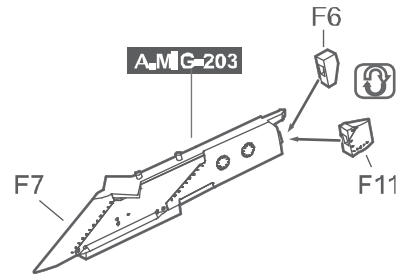


MIDDLEPYLON A.MIG-203

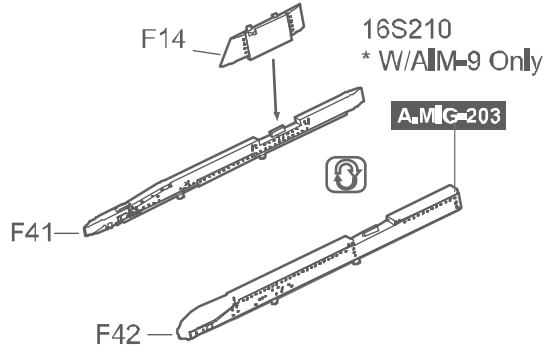
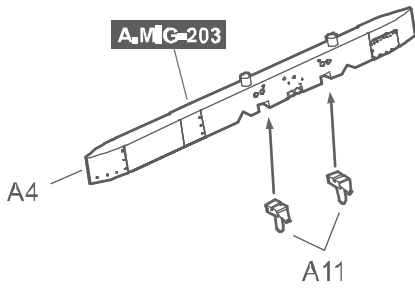


*DO NOT INSTALL #F15 FOR TER

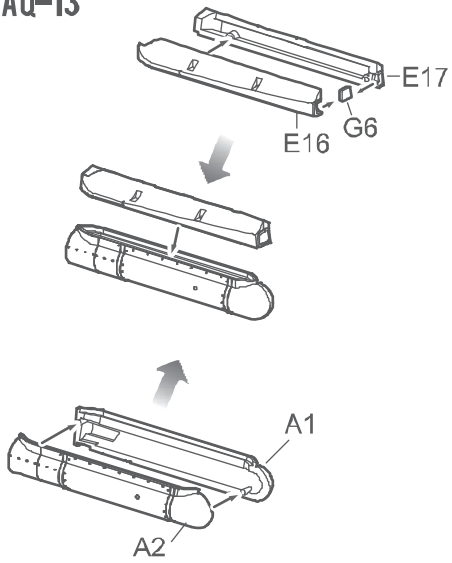
WING TANK PYLON



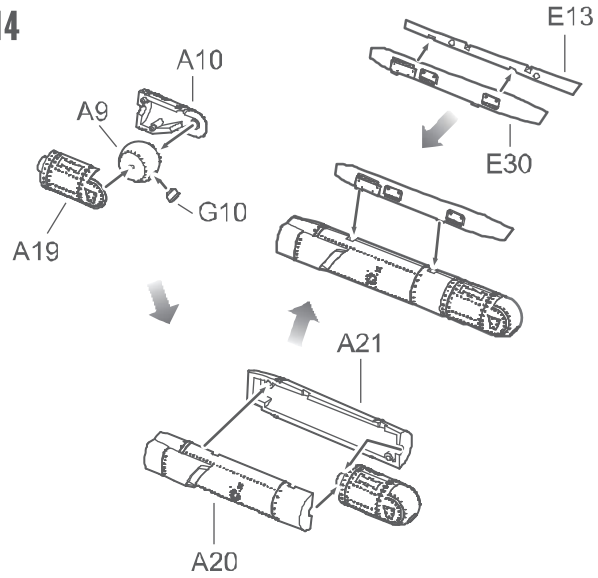
CENTRELINE PYLON



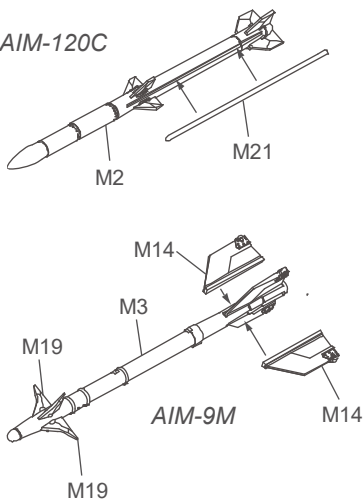
AAQ-13



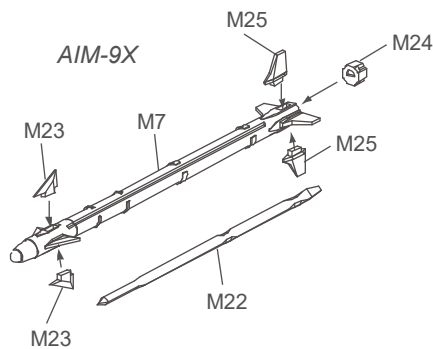
AAQ-14



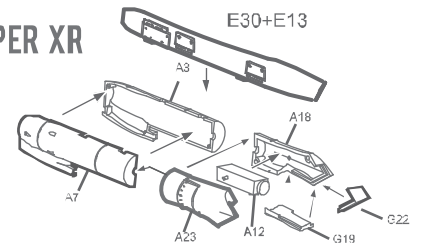
AIM-120C



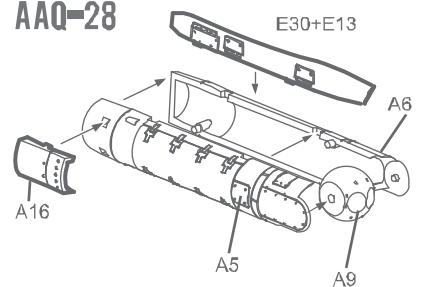
AIM-9X



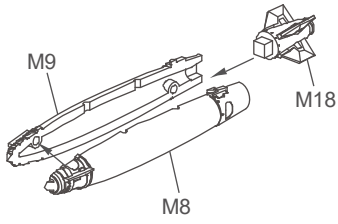
SNIPER XR



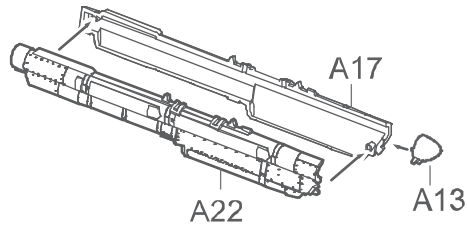
AAQ-28



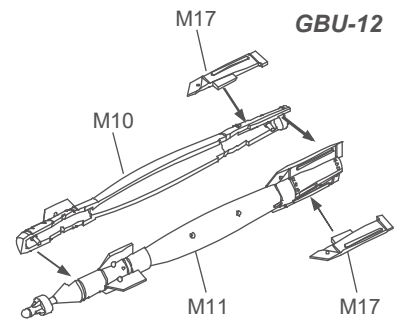
GBU-38



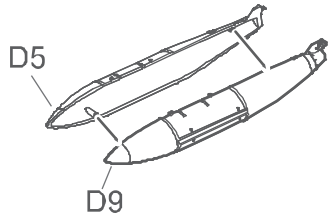
ALQ-184



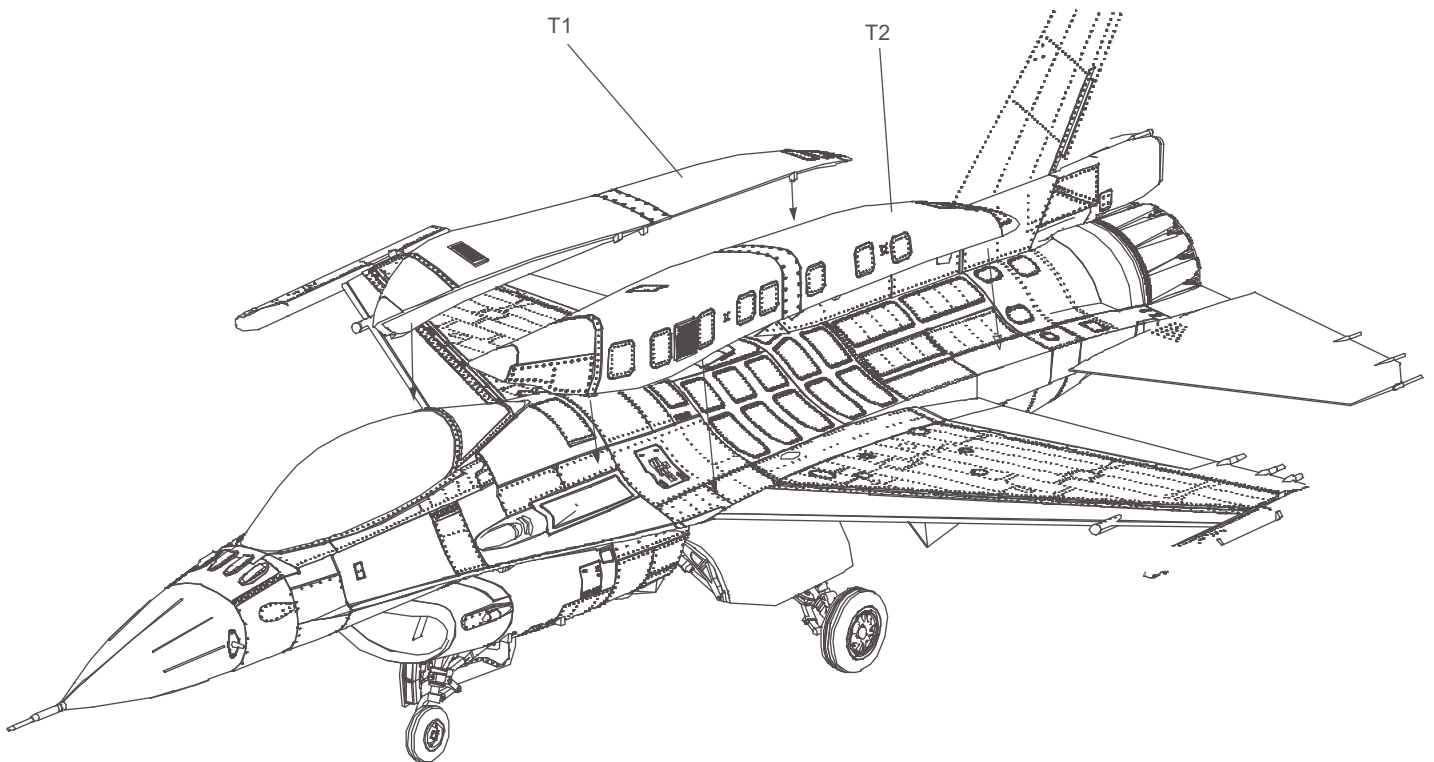
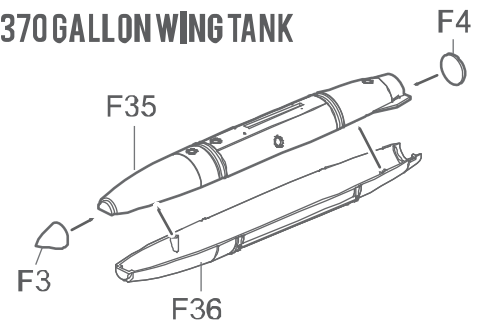
GBU-12



300 GALLON CENTERLINE TANK



370 GALLON WING TANK

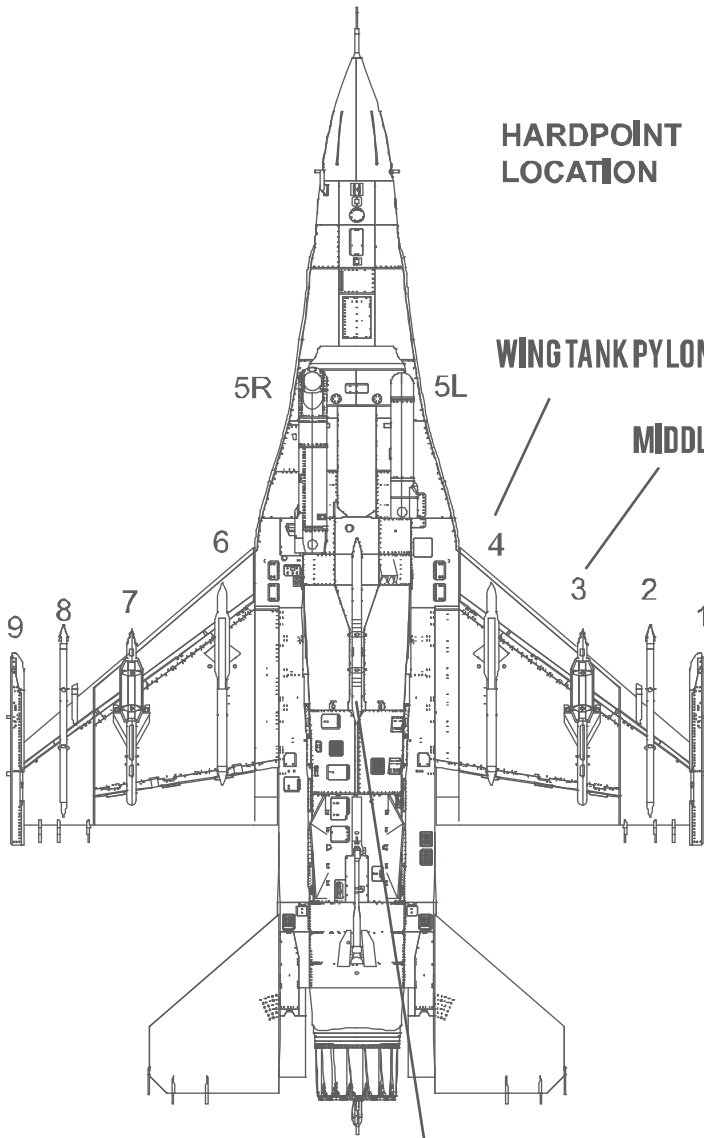


**AN/ASQ-213 HARM
TARGETING SYSTEM POD**

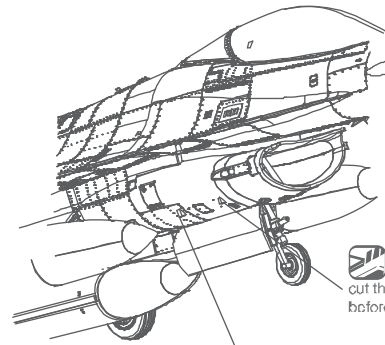
**HARDPOINT
LOCATION**

WING TANK PYLON

MIDDLE PYLON

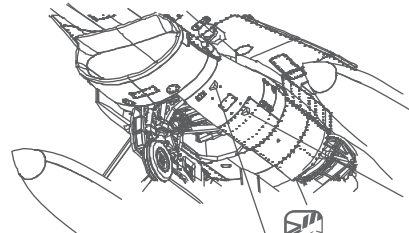


CENTELINE PYLON 5



cut this locating pin before installing AN/ASQ-213

Trim the pin to fit the AN/ASQ-213



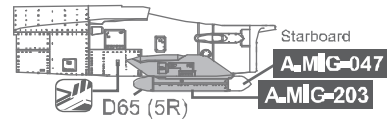
Trim the pin to fit the AN/ASQ-213

cut this locating pin before installing AN/ASQ-213

If you choose to install AGM-68 (F-ARMS), you need to install AN/AQL-213 either on hardpoint 5R/5L

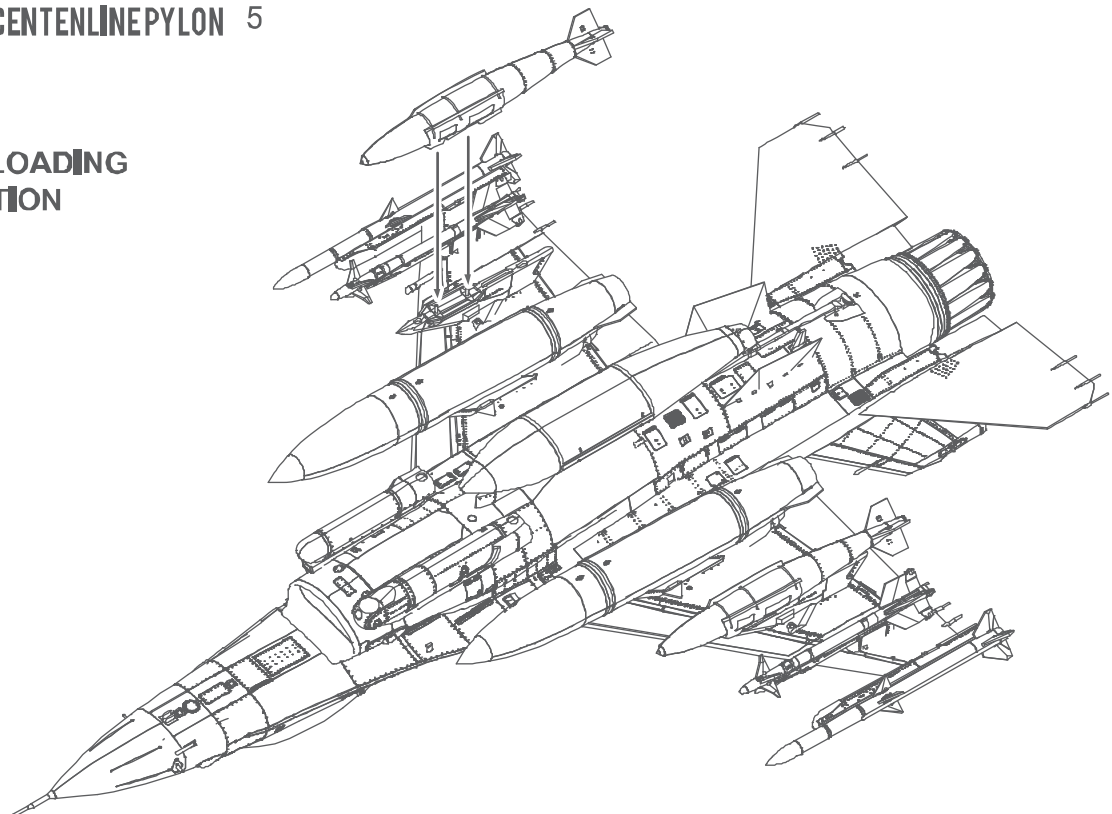


AGM-047 AGM-203

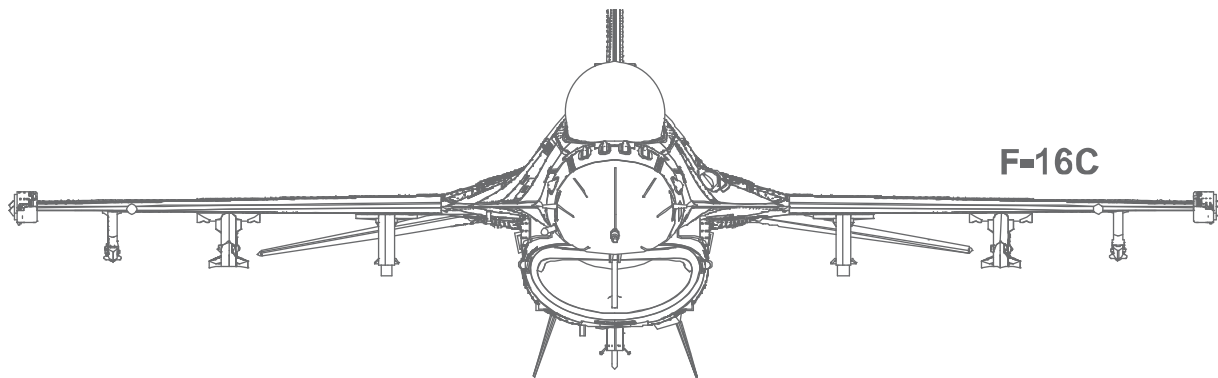


**AGM-047
AGM-203**

**WEAPON LOADING
ILLUSTRATION**

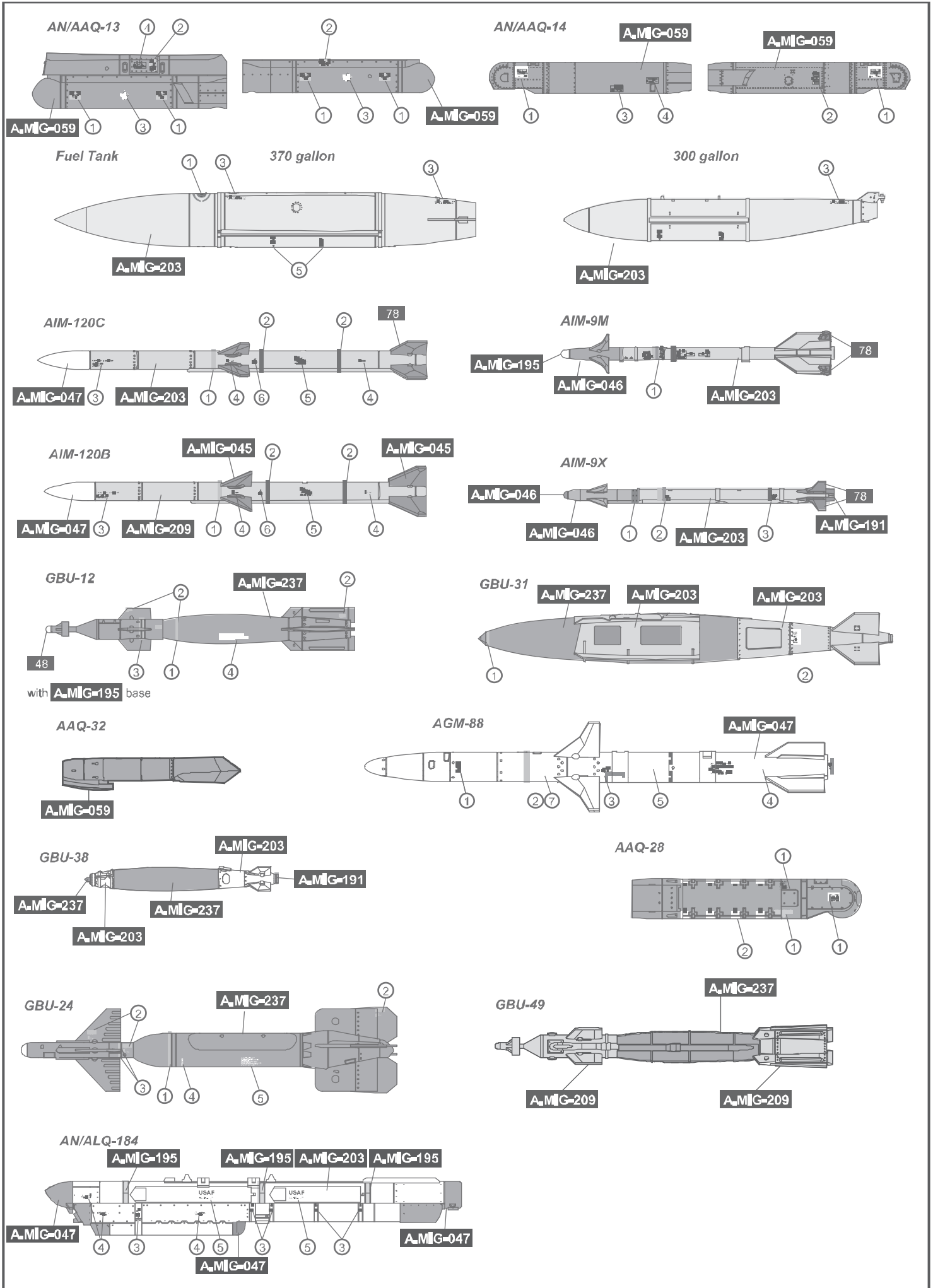


EXTERNAL STORES



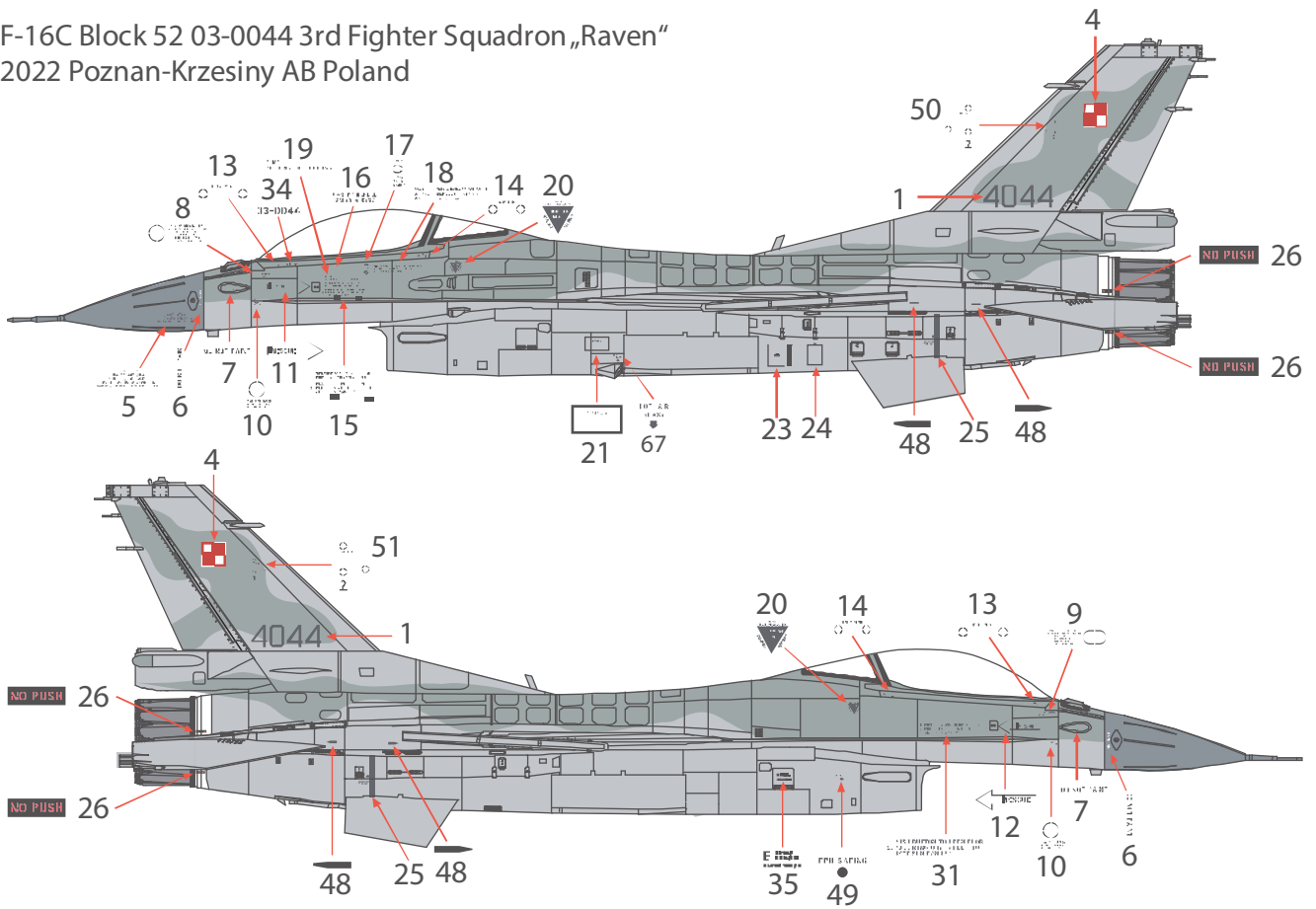
Station No. Weapons	9	8	7	6	5R	5	5L	4	3	2	1
16S210 (W/AIM-9M only)	●	●	●						●	●	●
LAU-129	●	●	●						●	●	●
AIM-9M	●	●	●						●	●	●
AIM-9X (W/LAU-129 only)	●	●								●	●
AIM-120B (W/LAU-129 only)	●	●	●						●	●	●
AIM-120C (W/LAU-129 only)	●	●	●						●	●	●
GBU-12/49			●						●		
GBU-12/49 (W/TER)			● ●						● ●		
GBU-31			●						●		
GBU-38			●						●		
GBU-38 (W/TER)			● ●						● ●		
GBU-24			●						●		
AGM-88			●						●		
370gal. Fuel tank				●				●			
300gal. Fuel tank						●					
AN/AAQ-13							●				
AN/AAQ-14					●						
SNIPER XR					●						
AN/ASQ-213 (W/AGM-88 installed)					●		●				
ALQ-184						●					

Painting & Decal Placement - External Stores (F-16 C/D)

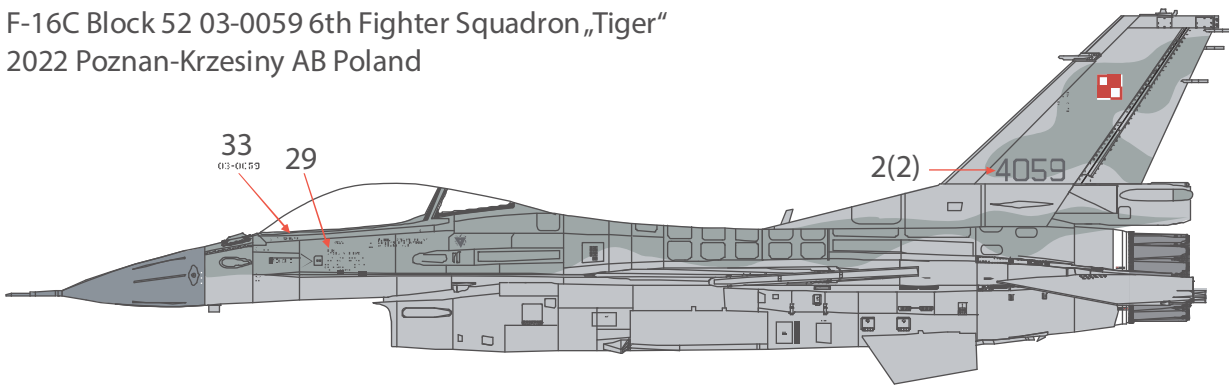


1/48 SCALE AIRCRAFT SERIES NO. K48156

F-16C Block 52 03-0044 3rd Fighter Squadron „Raven”
2022 Poznan-Krzesiny AB Poland



F-16C Block 52 03-0059 6th Fighter Squadron „Tiger”
2022 Poznan-Krzesiny AB Poland



F-16C Block 52 03-0065 10th Fighter Squadron „Dragons”
2022 Lask Air Base Poland

