



Over Mill · Well Street · Winsford · Cheshire · Great Britain · CW7 1HW
 Telephone: (0606) 592122 Fax: (0606) 592943

MADE IN ENGLAND

DAPOL MODEL RAILWAYS

The Dapol Series of trackside buildings and station accessories has been designed for use with OO scale railways (4mm to the foot) and although generally depicting items from the age of steam, can also be used for more recent periods. Many of the kits in the series can be incorporated in dioramas and scenic displays, ideas for which can be obtained from articles in the railway modelling press.

Certain of the kits can easily be enlarged or extended to suit layout requirements such as the Engine Shed and Footbridge, by adding extra models as necessary. The trackside series is compatible with electric ready-to-run Railway Systems.

GENERAL INSTRUCTIONS

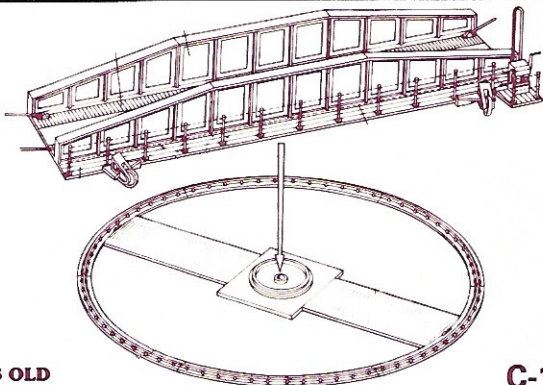
It is recommended that exploded views are studied and assembly practised before cementing together. Note: small parts are best painted before assembly. Parts should be as drawn and any moulded tabs adhering to parts removed before assembly.

All parts are numbered; assemble in sequence.

OO/HO SCALE TRACKSIDE MODEL

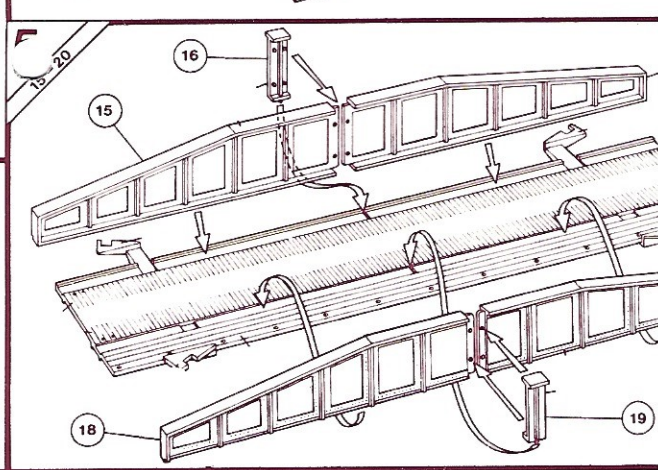
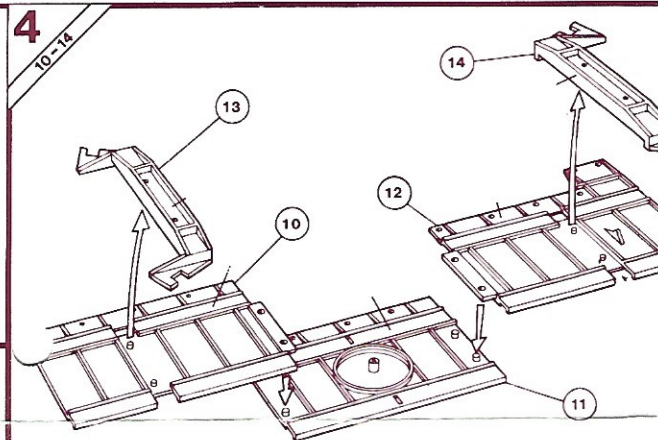
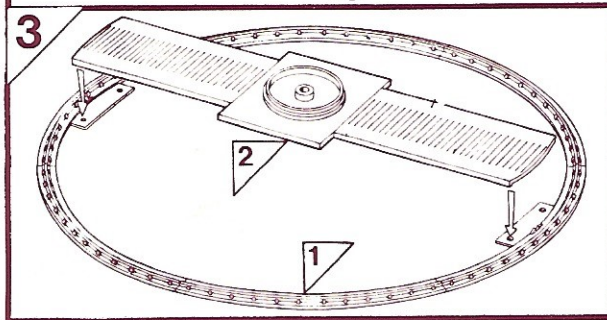
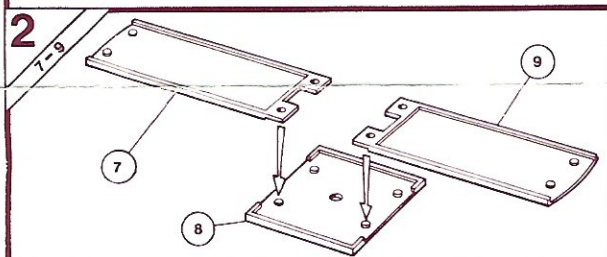
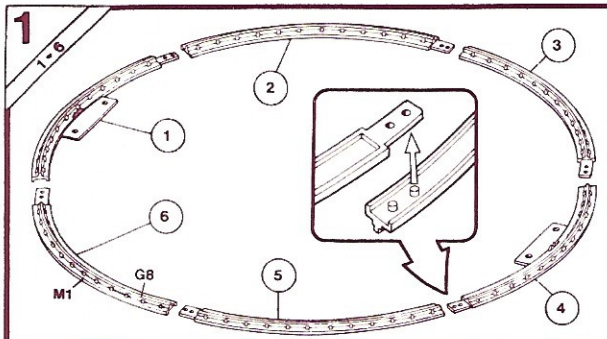
TURNTABLE

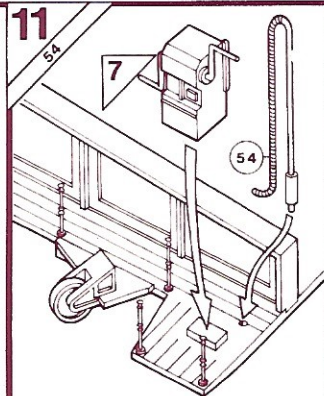
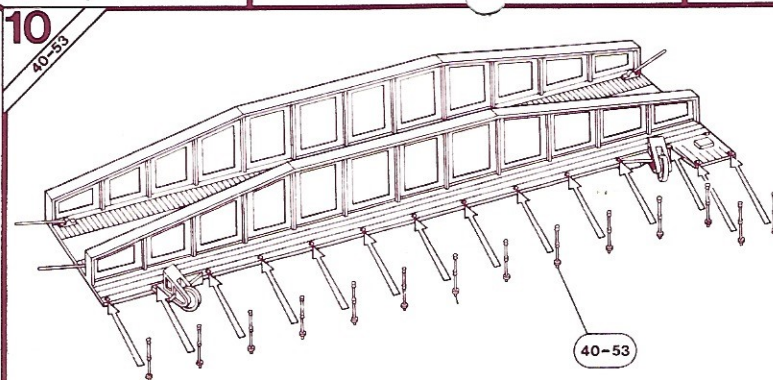
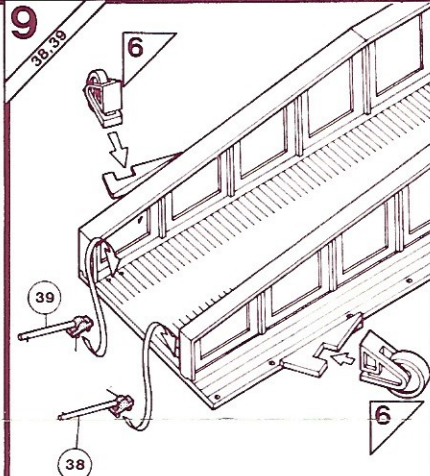
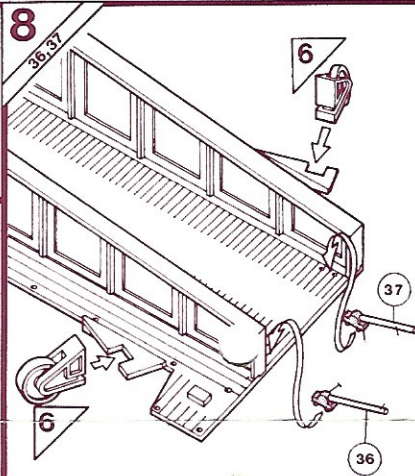
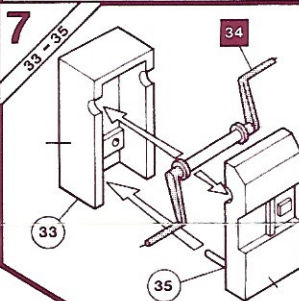
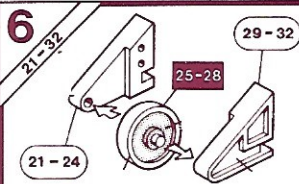
A
DAPOL
 PRODUCT

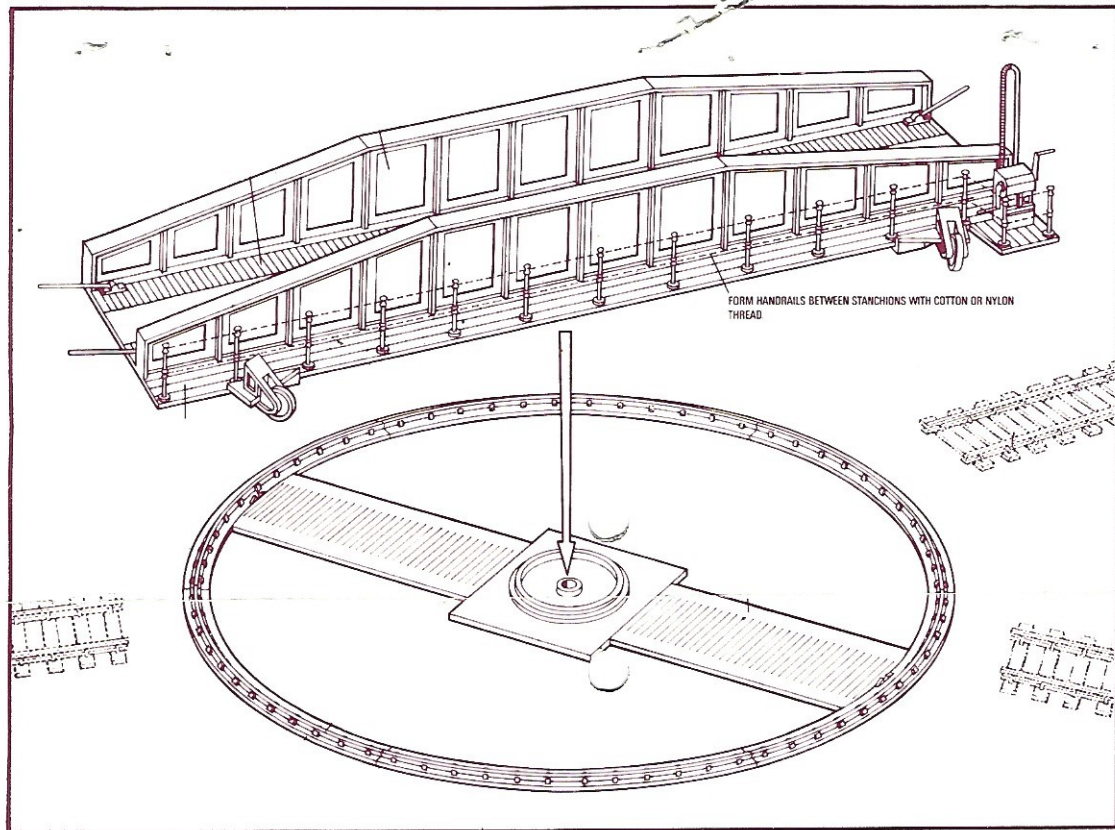


NOT RECOMMENDED FOR CHILDREN UNDER 10 YEARS OLD

C-1







IN THE EVENT OF COMPLAINT

Please first contact the retail outlet from which this item was purchased.

If the problem is not dealt with to your satisfaction please then write to the address below, giving full details of the complaint together with the retailer's name and address.

Dapol Model Railways Limited, Over Mill, Well Street,
Winsford, Cheshire CW7 1HW, Great Britain.