

Supermarine Spitfire MK VIII

Plastic model

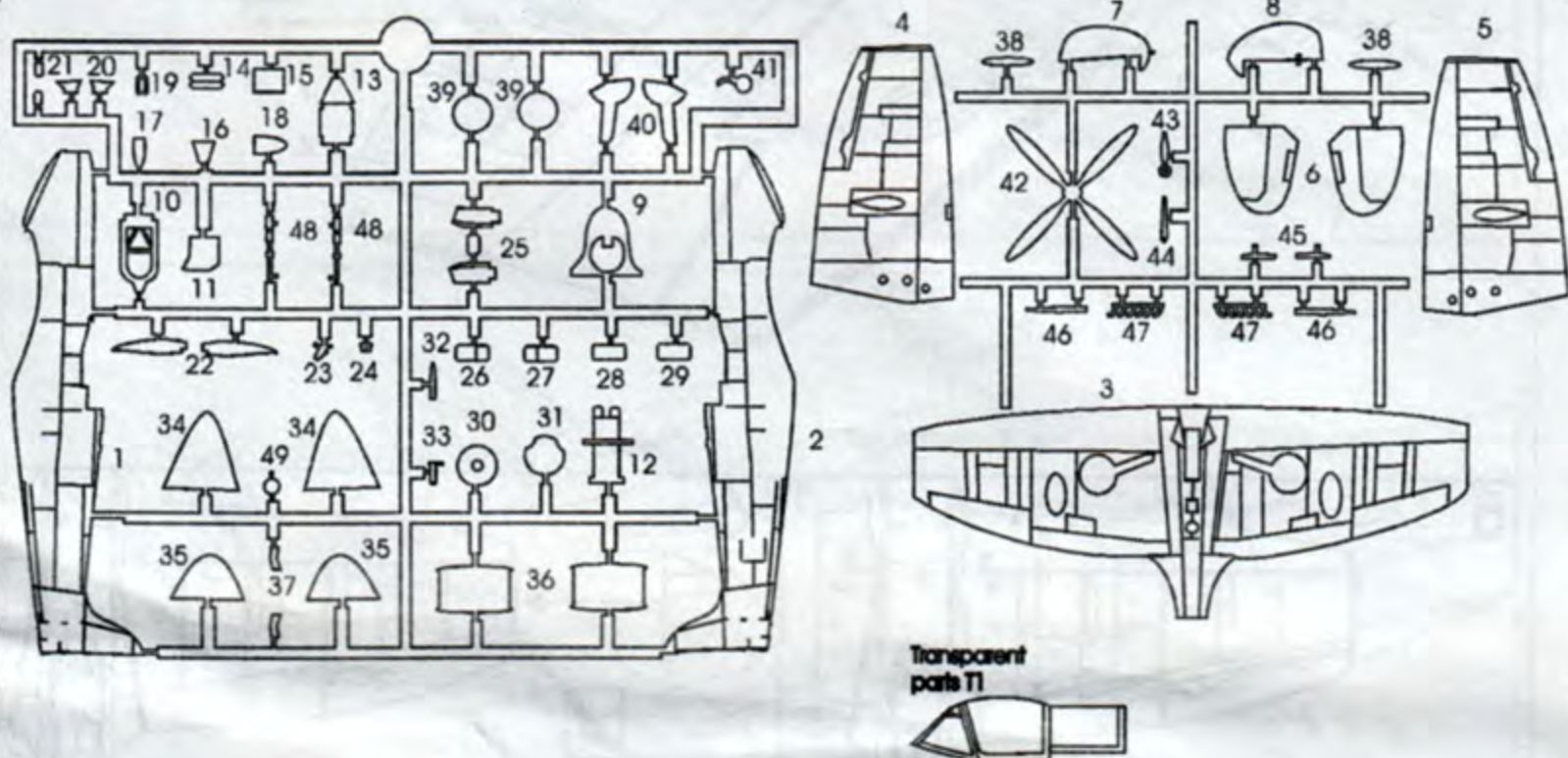
scale :1/72

The Supermarine Spitfire is a British single-seat fighter aircraft that was used by the Royal Air Force and many other Allied countries throughout the Second World War. Although the original airframe was designed to be powered by a Rolls-Royce Merlin engine producing 1,030 hp (768 kW), it was adaptable enough to use increasingly powerful Merlin. During 1941 work began on adapting the Spitfire to use the new Merlin 61 engine. This had a two-stage supercharger, which improved its performance at high altitude by around 50%. The Mk VIII (and VII) featured a strengthened fuselage with a retractable tail wheel. Each wing carried a 14-gallon self sealing fuel tank, and the main fuselage fuel tank was increased in size to 96 gallons.

Warning before you start building the model:

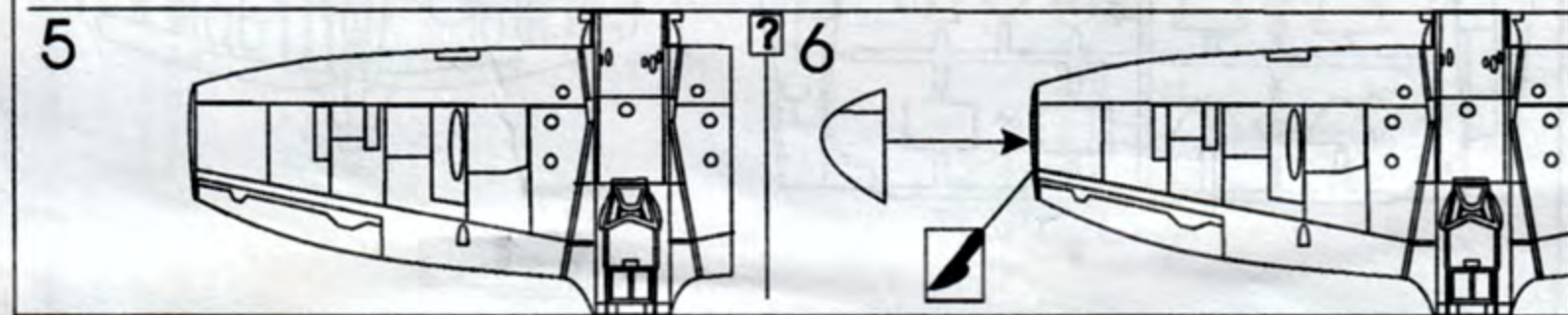
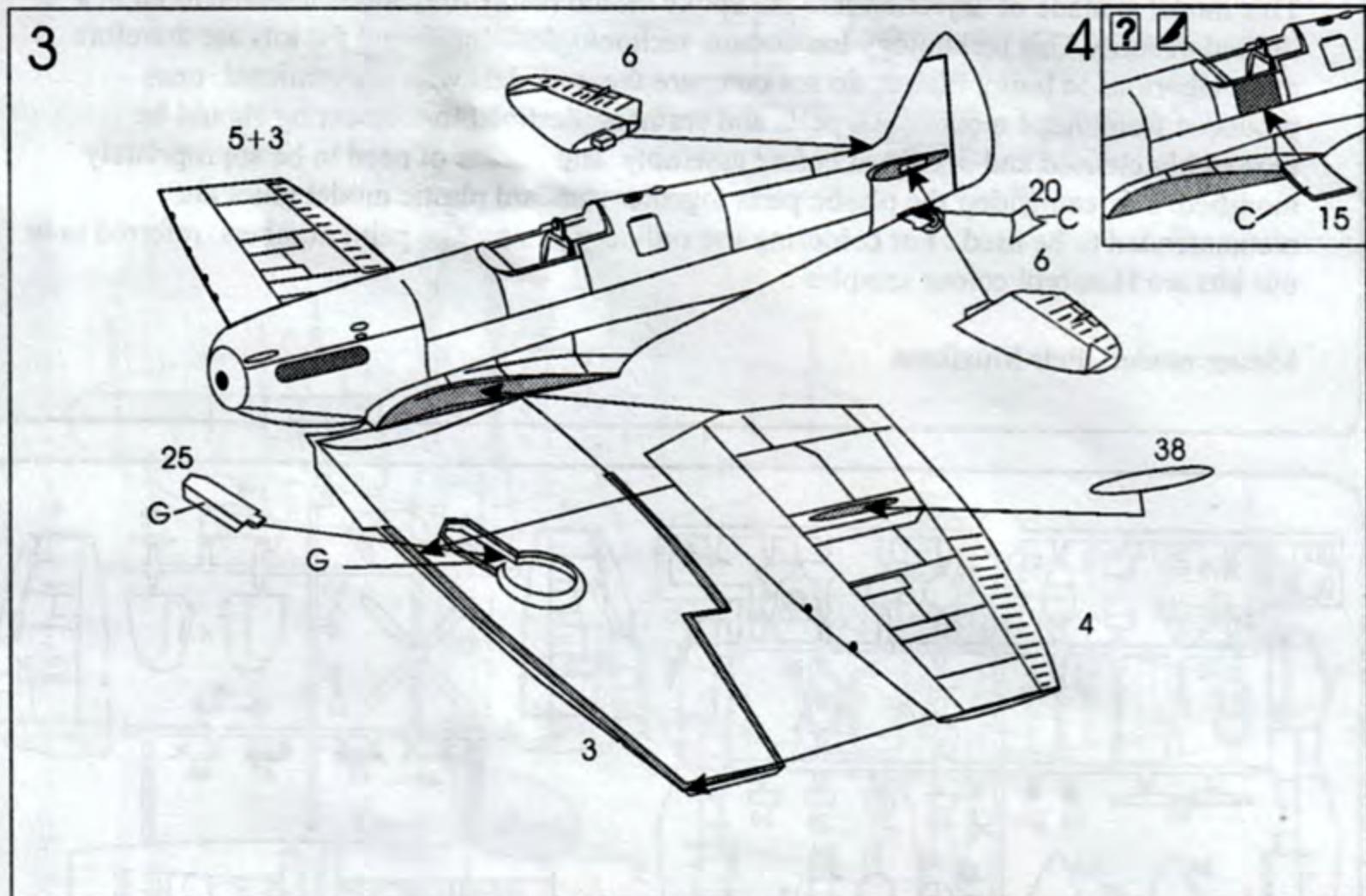
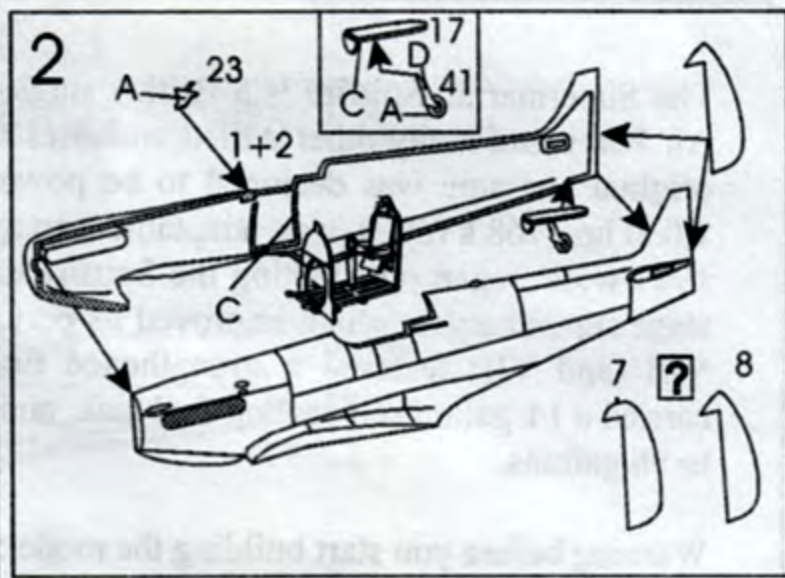
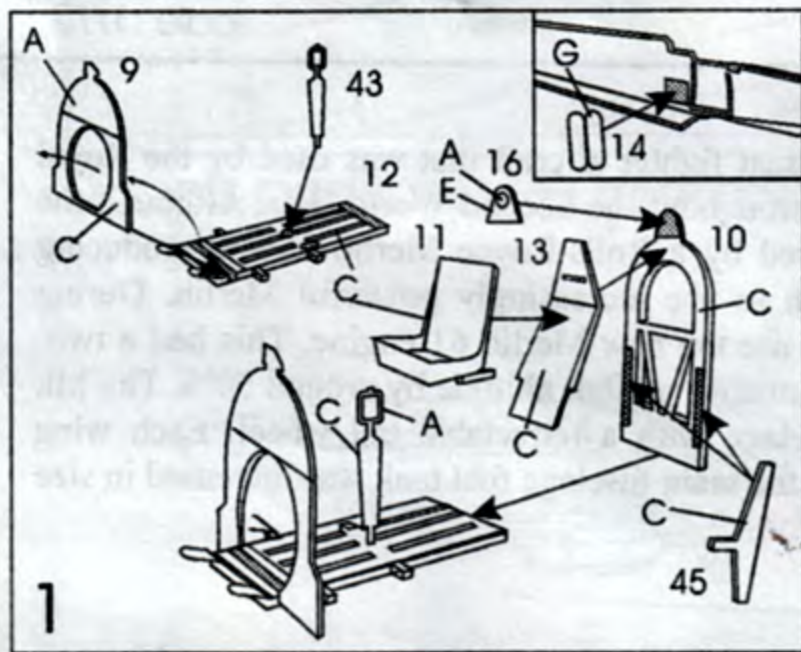
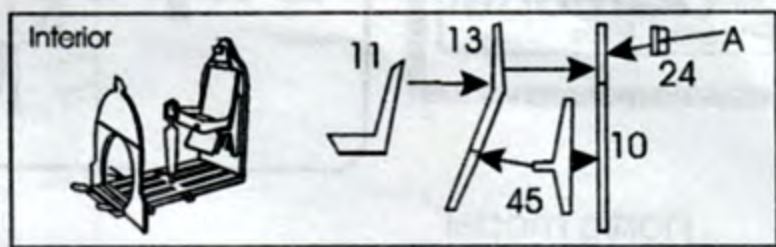
This model is made of injection into the epoxy mould (short-run) and is manufactured in a limited quantity. This technology has certain technological limits and the kits are therefore more laborious to build. Please, do not compare these models with conventional ones produced from metal moulds. All parts and surfaces destined for cementing should be thoroughly cleaned and dry fitted before assembly and in case of need to be appropriately modified. For cementing the plastic parts together standard plastic model glues are recommended to be used. For colouring use ordinary paints. The paint numbers referred to in our kits are Humbrol colour samples.

Master model: Petr Muzikant

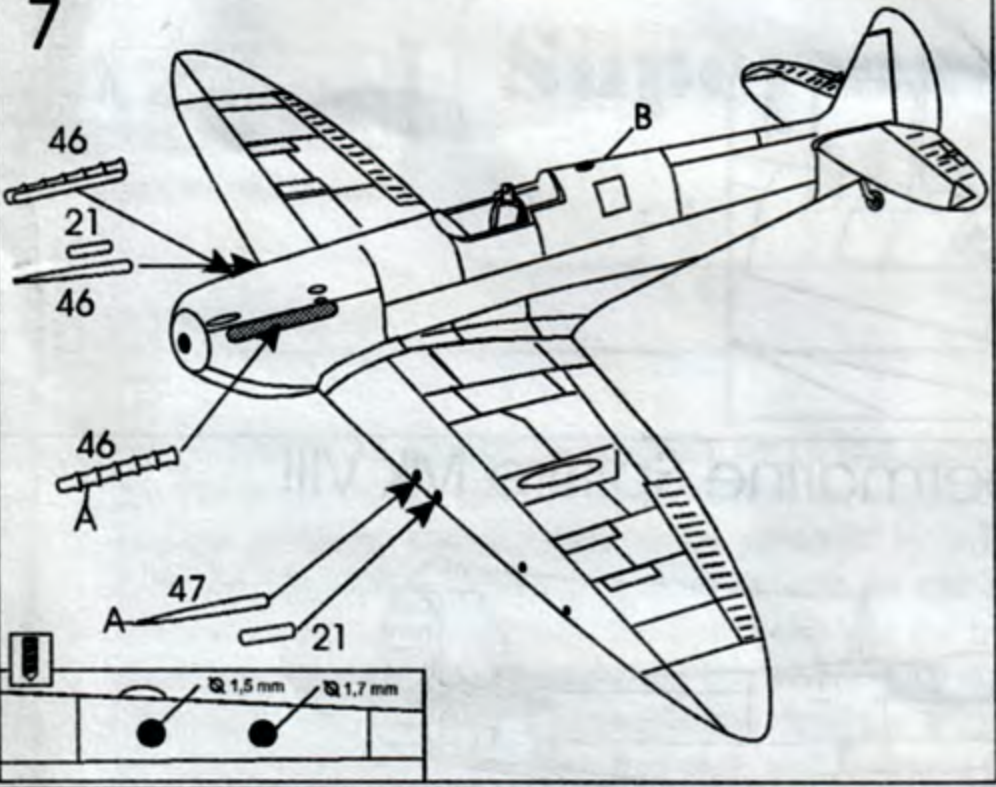


HUMBROL

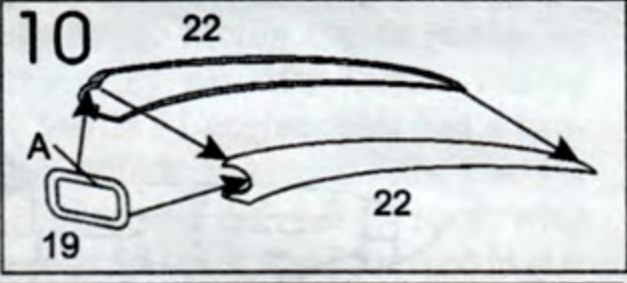
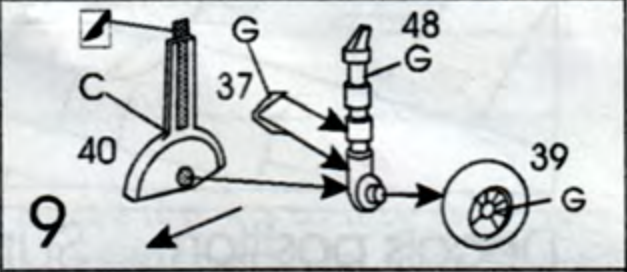
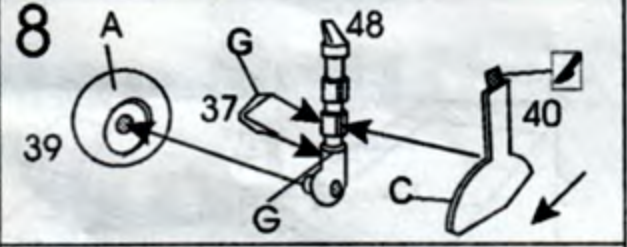
	Colour name			Colour name	
A	Black	H 33	F	Desert Yellow	H 94
B	White	H34	G	Aluminium	H 56
C	Interior Green	H76	H	Brown	H 29
D	Light Grey	H64			
E	Dark Grey	H27			



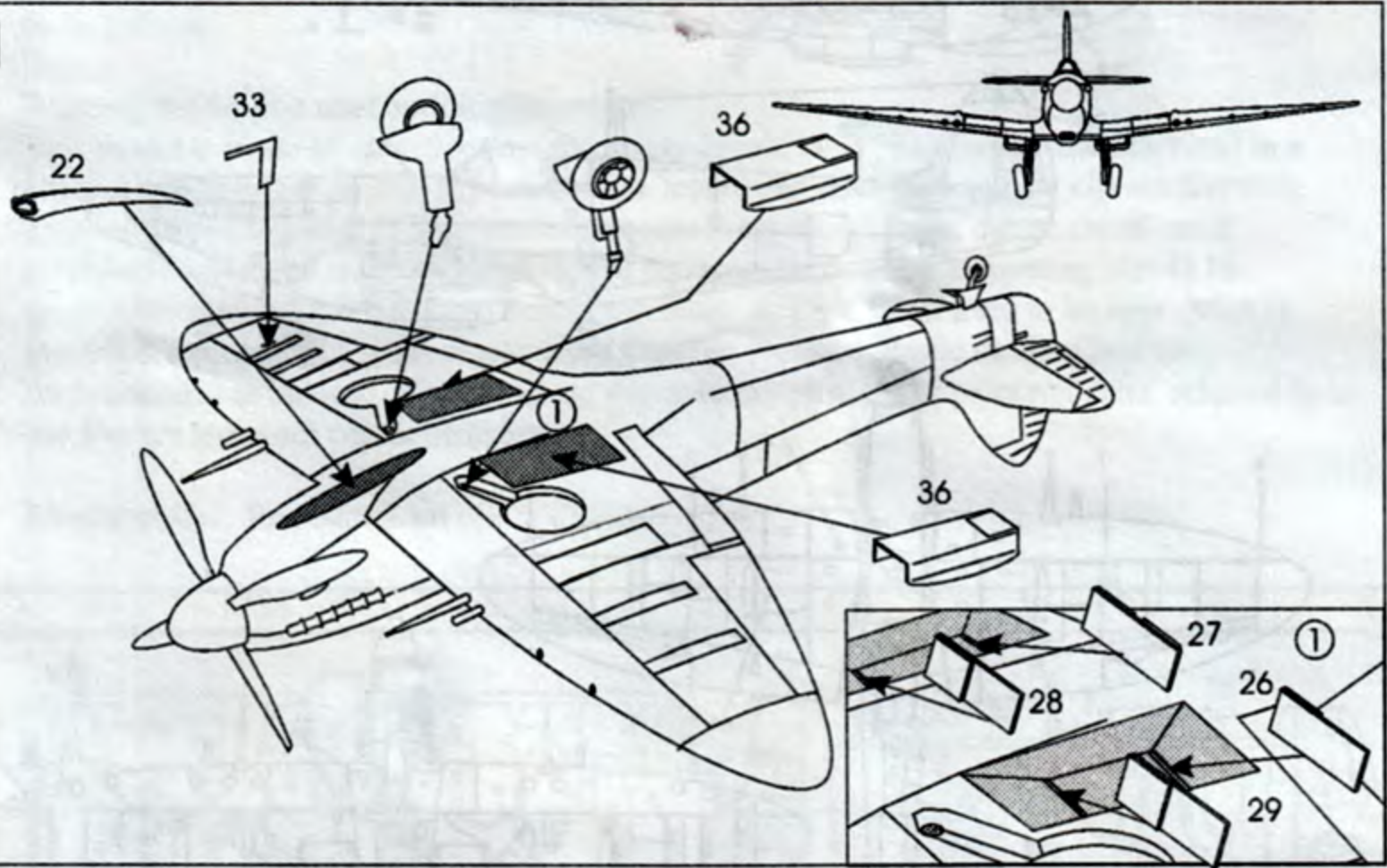
7



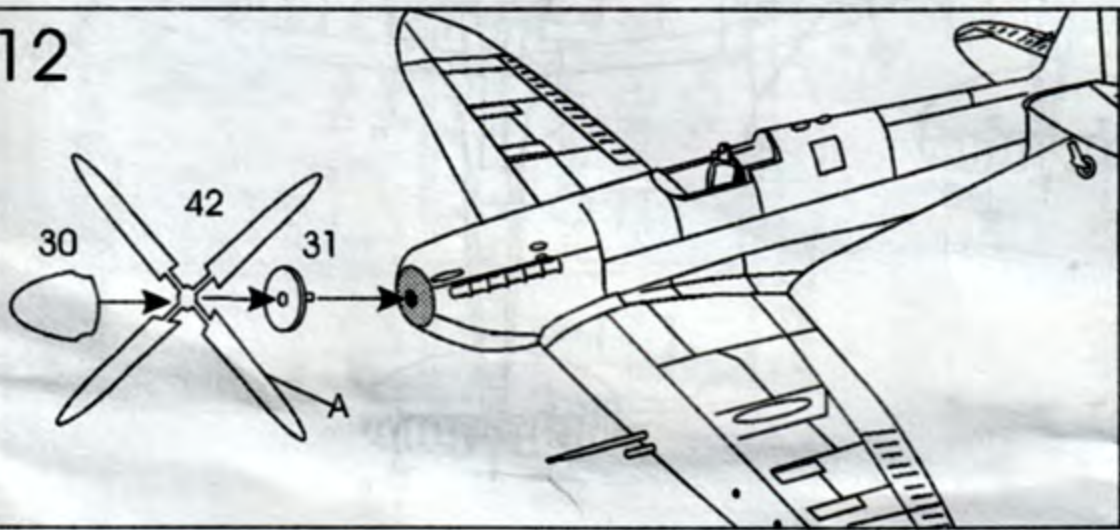
8



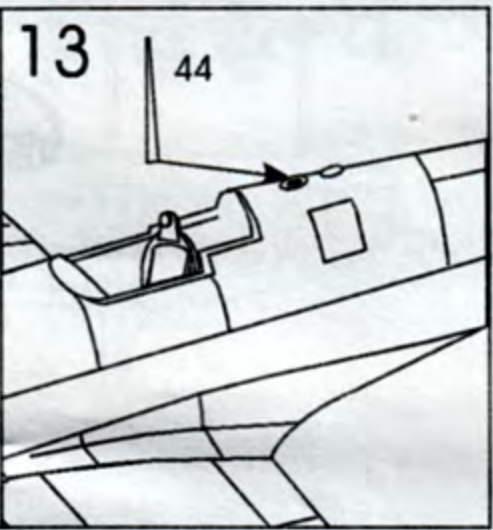
11

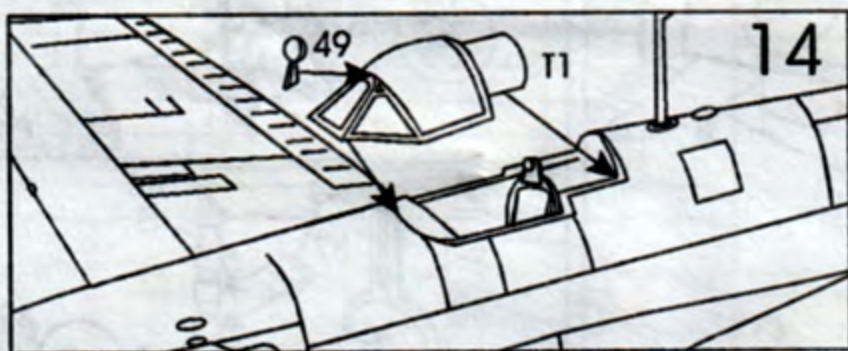


12

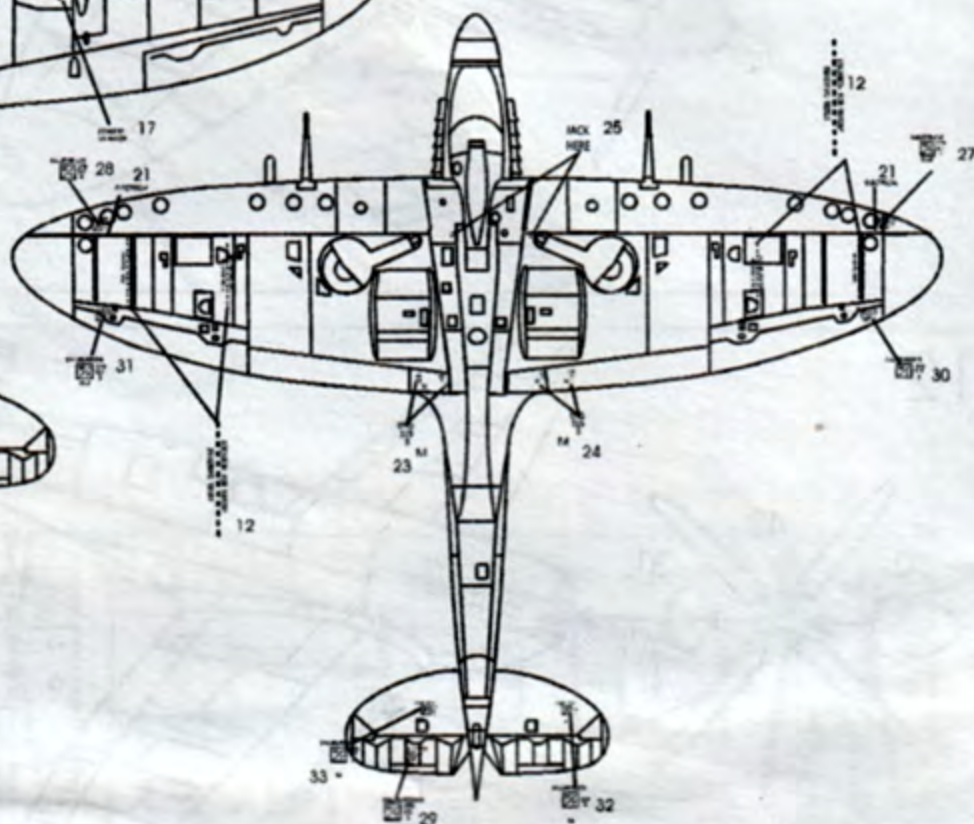
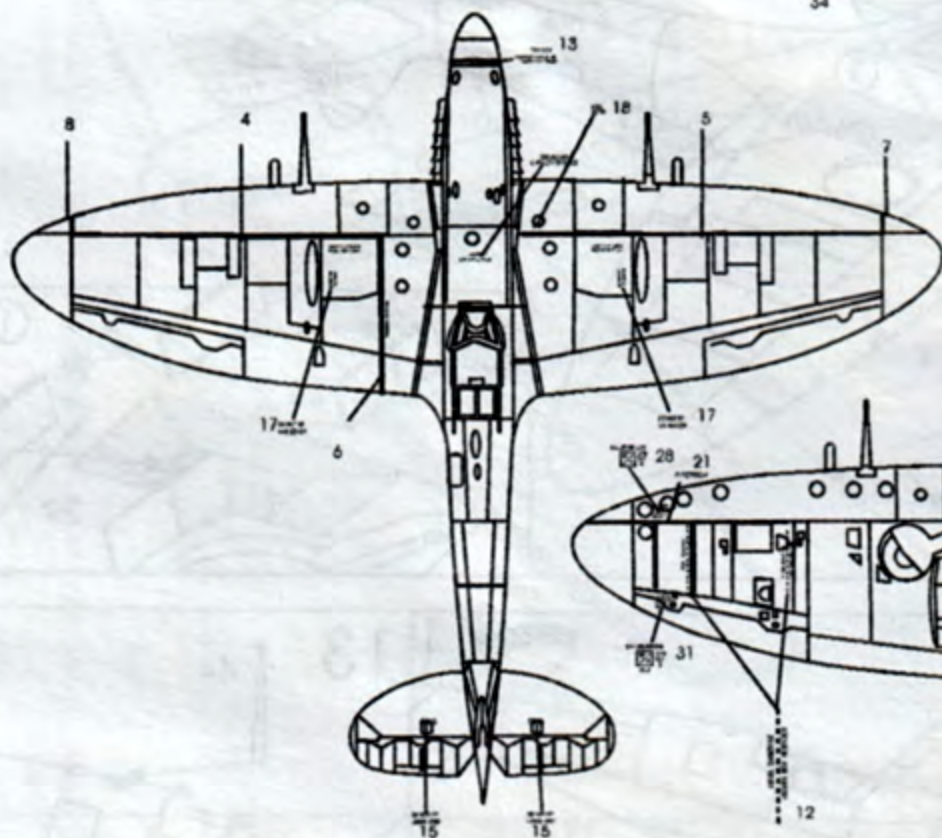
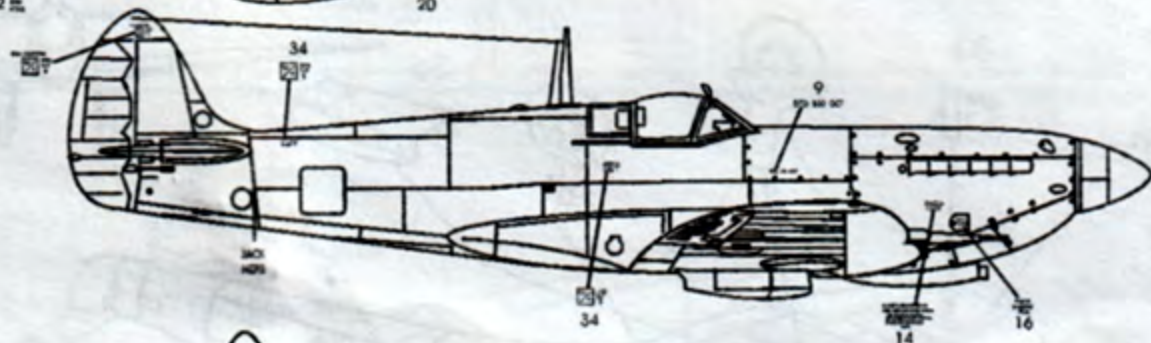
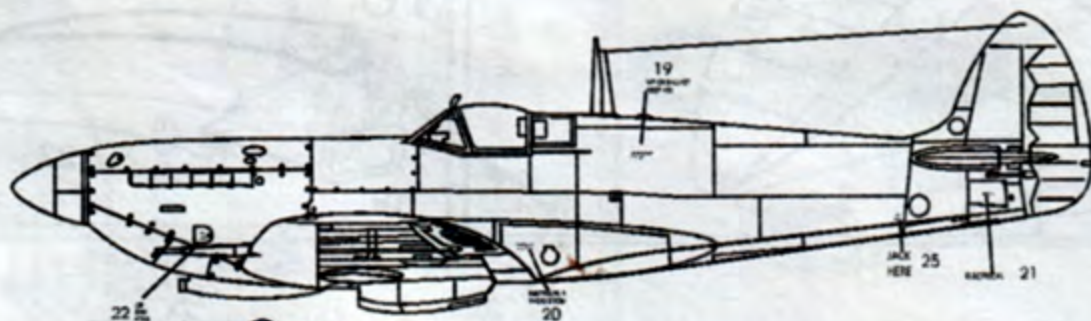


13

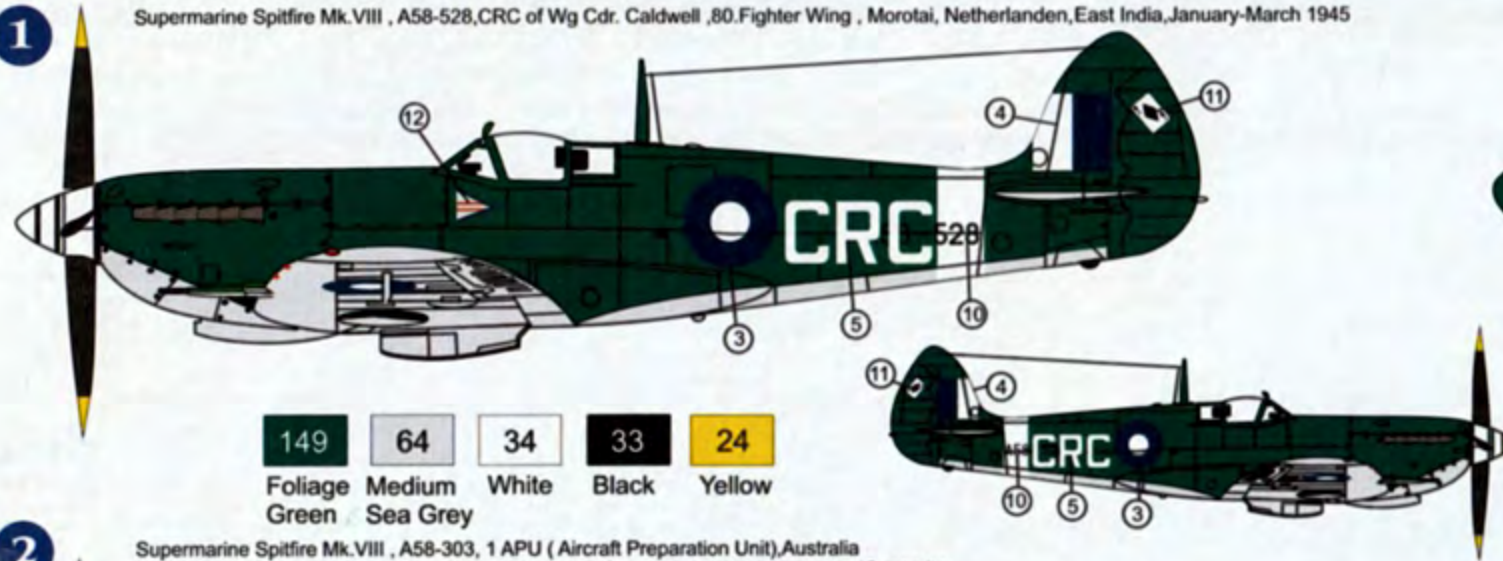




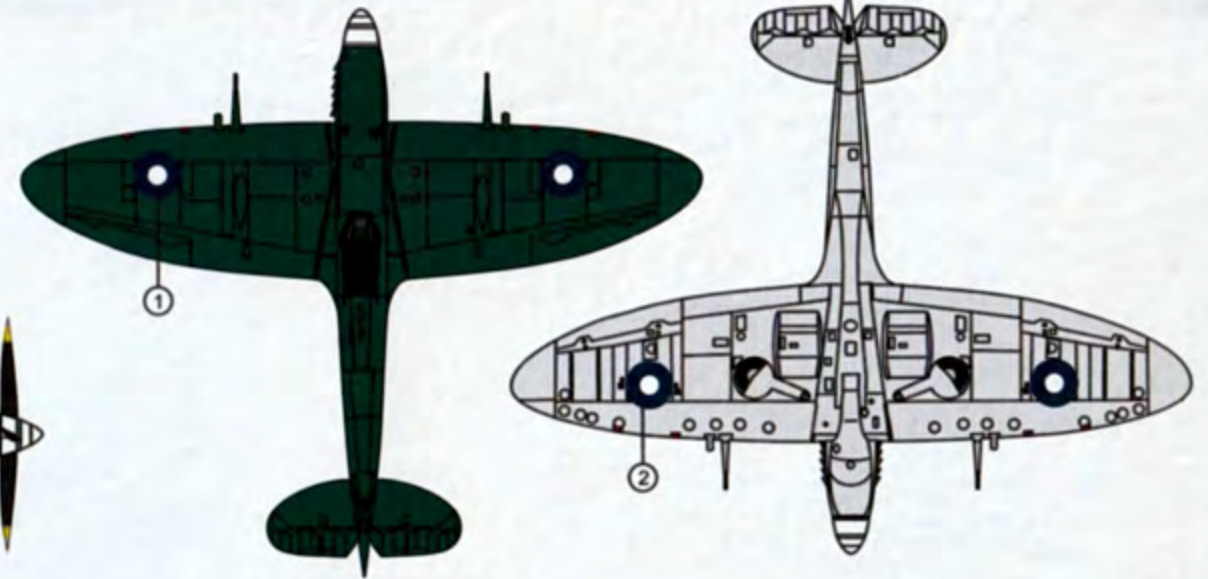
Decals position: Supermarine Spitfire Mk VIII



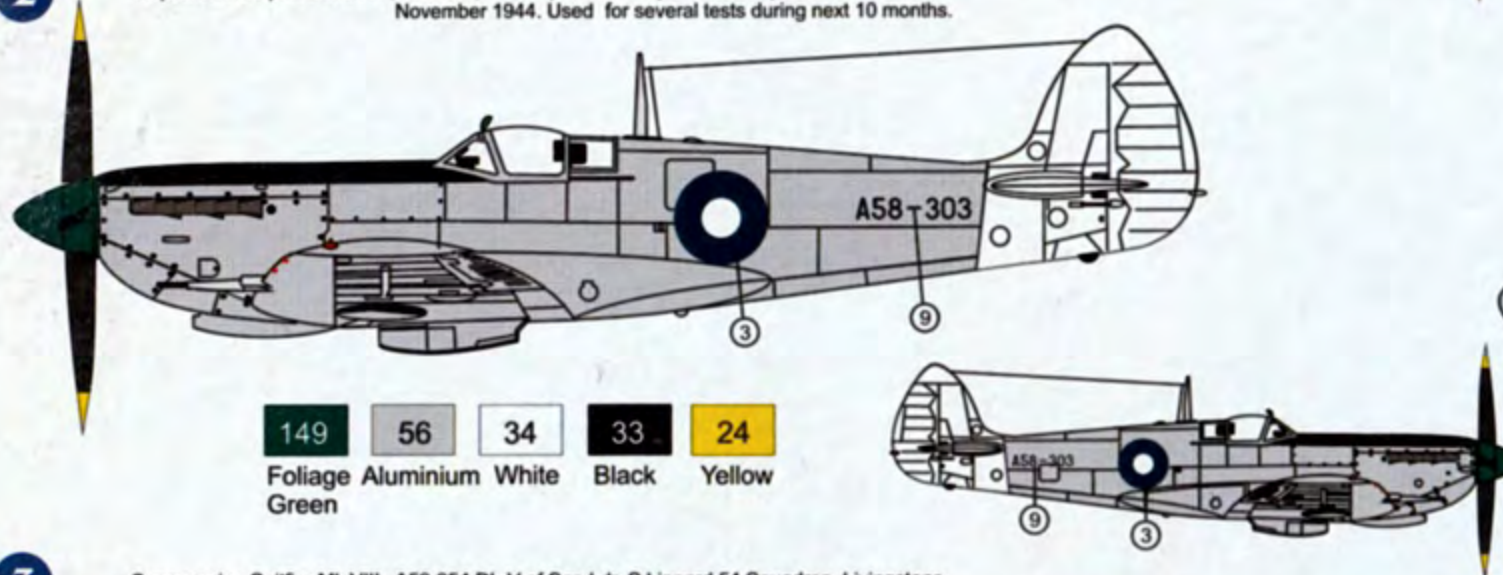
1 Supermarine Spitfire Mk.VIII , A58-528,CRC of Wg Cdr. Caldwell ,80.Fighter Wing , Morotai, Netherlanden,East India,January-March 1945



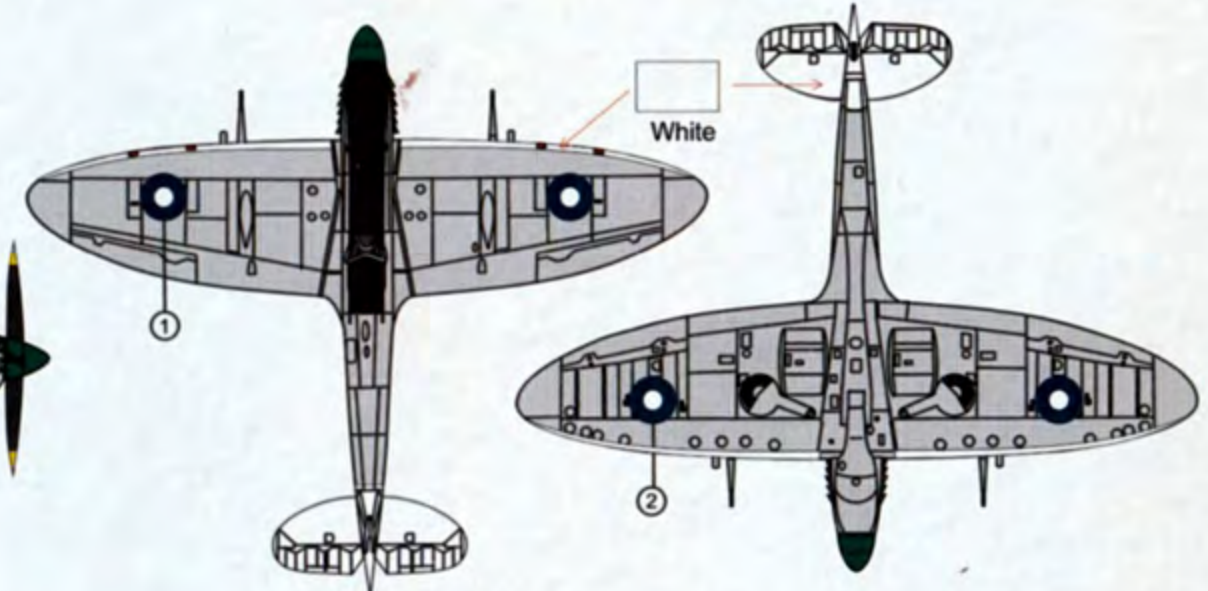
- | | | | | |
|---------------|-----------------|-------|-------|--------|
| 149 | 64 | 34 | 33 | 24 |
| Foliage Green | Medium Sea Grey | White | Black | Yellow |



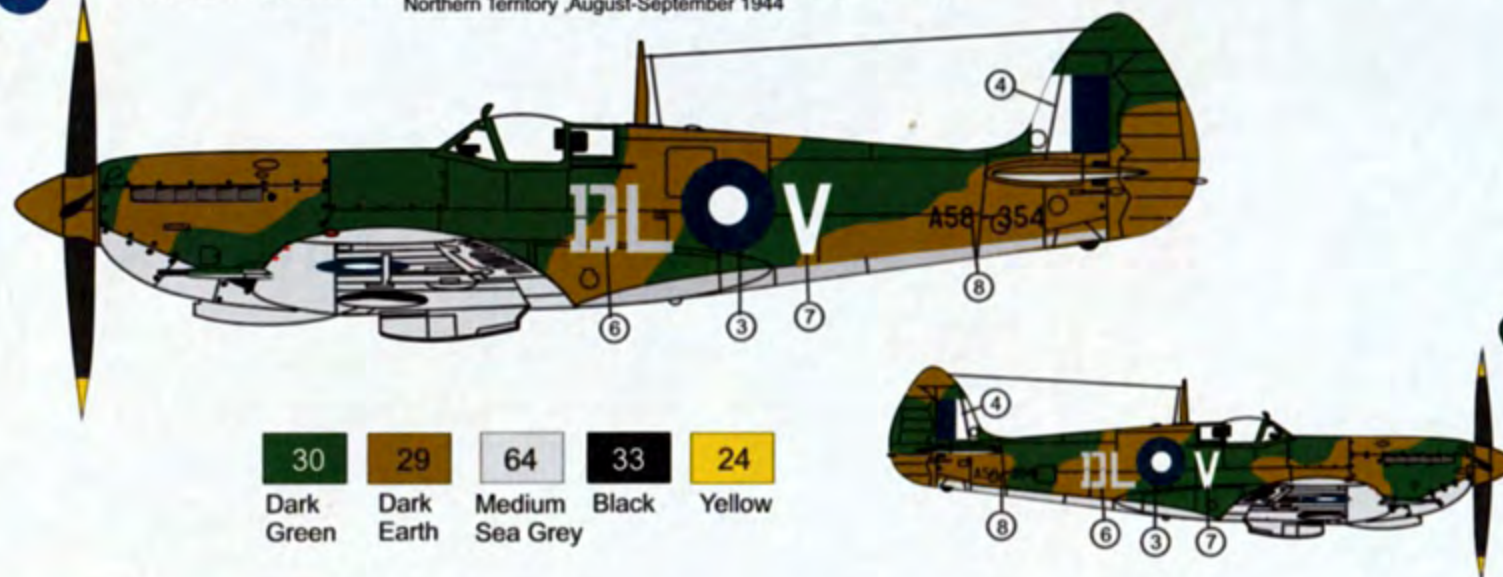
2 Supermarine Spitfire Mk.VIII , A58-303, 1 APU (Aircraft Preparation Unit),Australia November 1944. Used for several tests during next 10 months.



- | | | | | |
|---------------|-----------|-------|-------|--------|
| 149 | 56 | 34 | 33 | 24 |
| Foliage Green | Aluminium | White | Black | Yellow |



3 Supermarine Spitfire Mk.VIII , A58-354,DL-V of Sqn.Ldr. S.Linnard,54.Squadron ,Livingstone, Northern Territory ,August-September 1944



- | | | | | |
|------------|------------|-----------------|-------|--------|
| 30 | 29 | 64 | 33 | 24 |
| Dark Green | Dark Earth | Medium Sea Grey | Black | Yellow |

