

Combat Models

malliharrastajan tavaratalo

Sisu XA-185 "Pasi"

Instruction for scale 1/72 Sisu XA-185 model kit.

To build this kit, you need a hobby knife, small side cutters, sandpaper or file and plastic glue. We recommend to use Tamiya "green cap" glue.

If you use metal parts from PE sheet use cyanoacrylate or acrylic glue. "Normal" plastic glue will not work on metal.

Kit contains 6 different sprues: A, B, C, D, E and XA

Sprue A and D have part for body and underframe.

Sprue B has detailing parts

Sprue C contains wheels

Sprue E has parts for axles

Sprue XA has parts for XA-185 version

This kit has about 200 parts

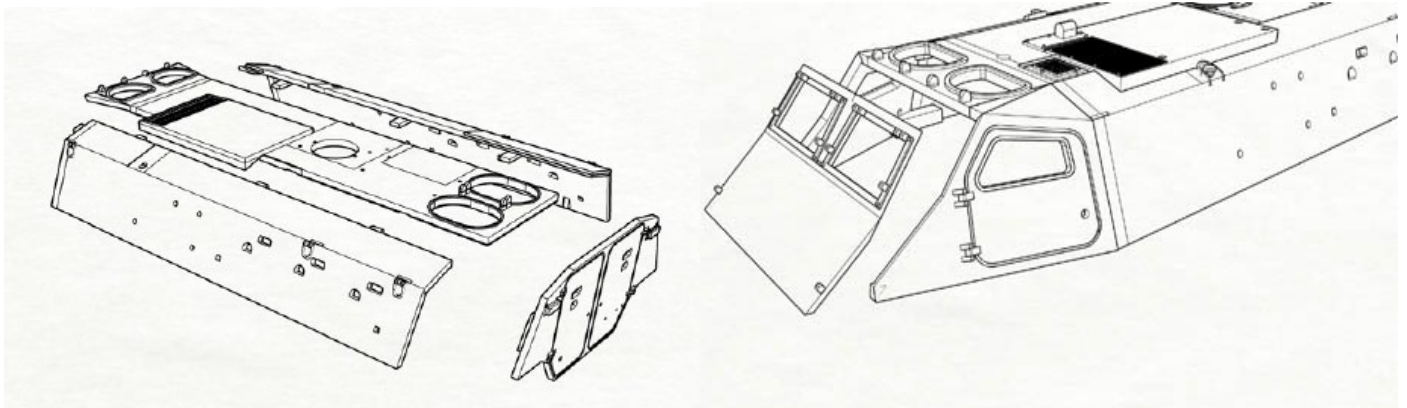
For painting and markings see separate instruction.



FinMilModels



**Read instructions through before starting to build XA-185. Please be careful when you cut parts!
Erst lesen, dann bauen!**

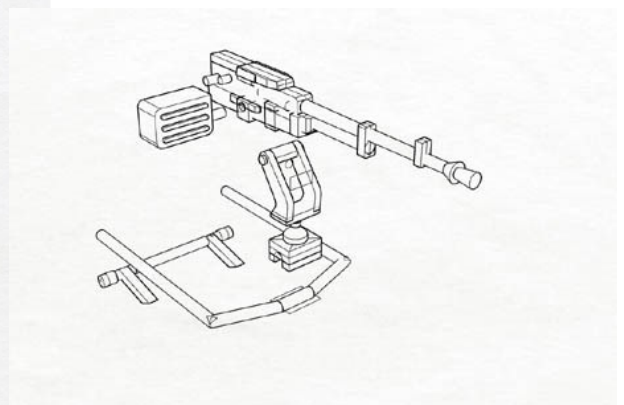
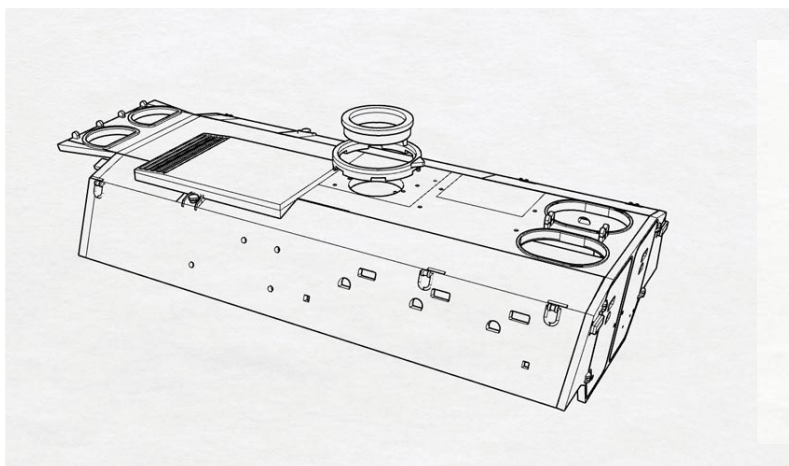


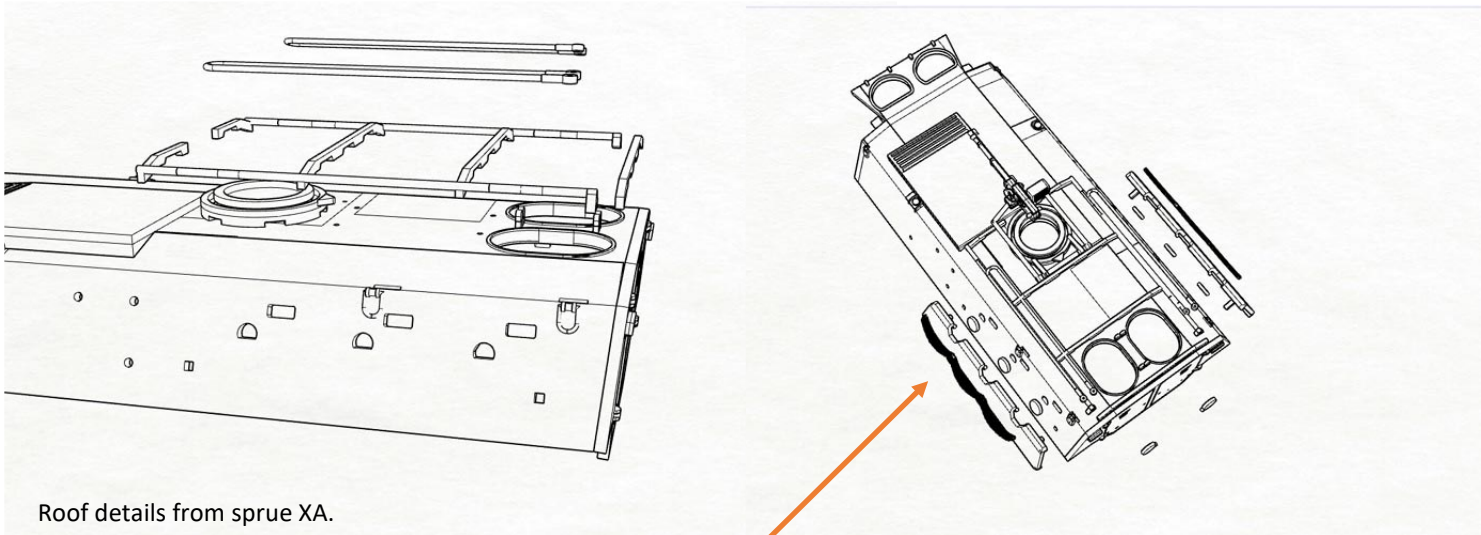
First build upper hull. You find hull top and sides from sprue XA, hull rear and front from sprue A

Roof details and machine gun parts are on sprue B and E.

If you build ambulance version see page 8 for details. Ambulance version does not have machine gun.

If you build foreign version with gun shield see page 7 for details.



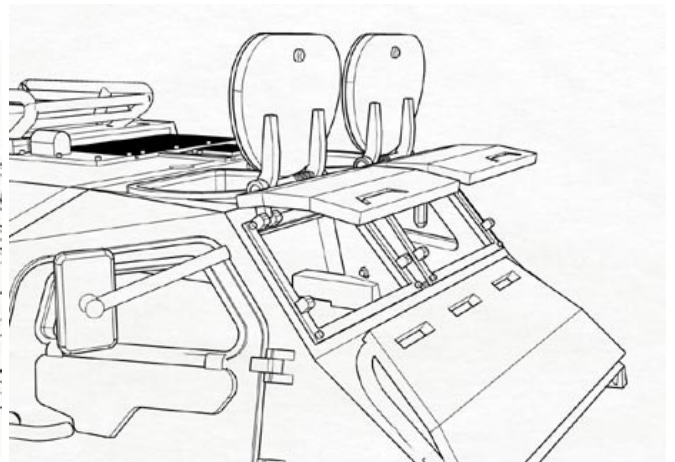
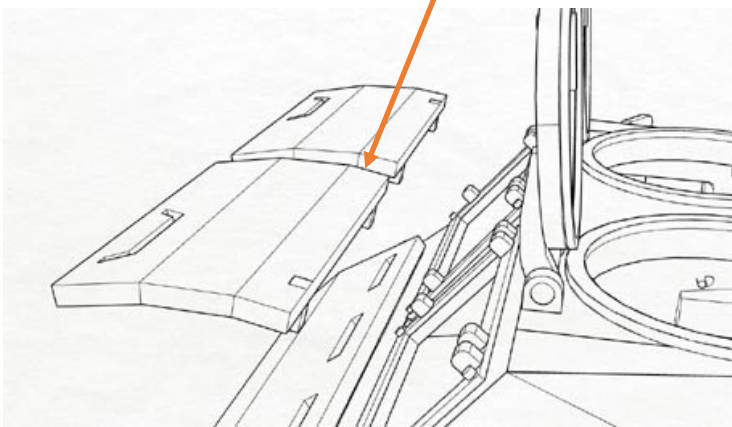
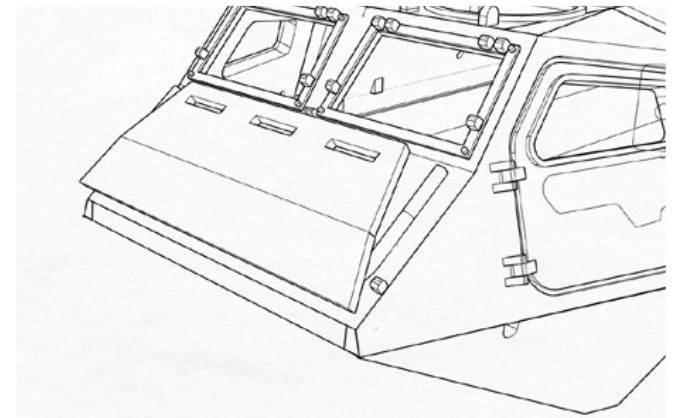
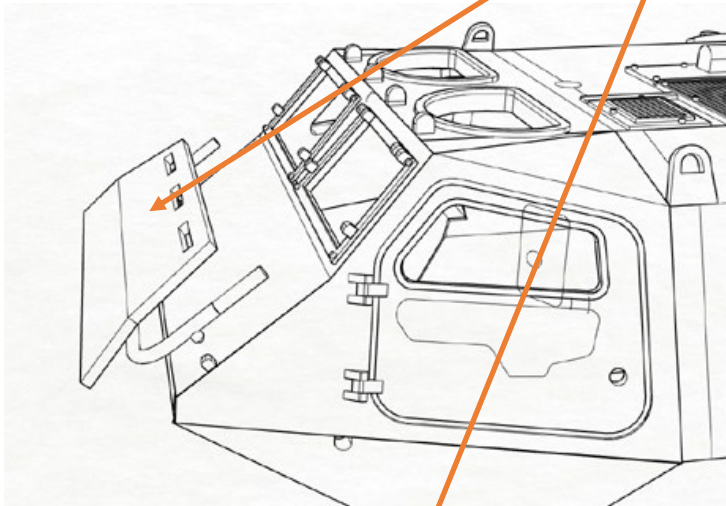
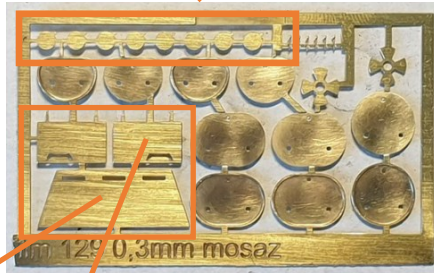


Roof details from sprue XA.

Firing port, extra armor and snow chains from sprues A and B. Note! You can also use separately sold PE sheet for some details.



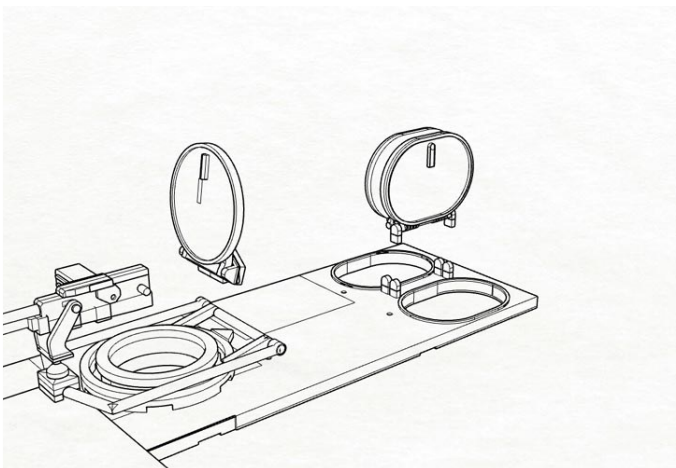
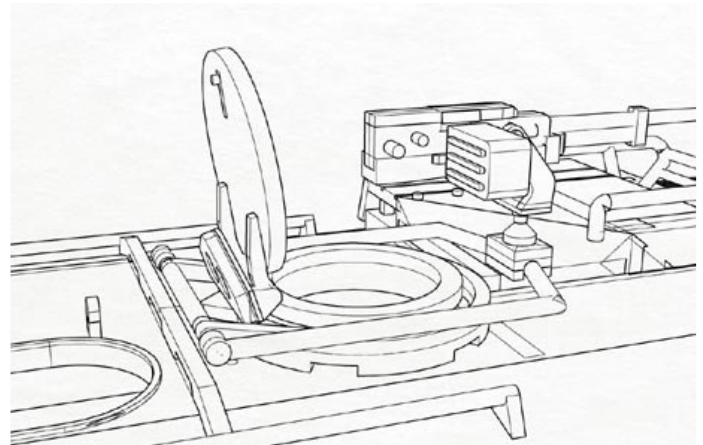
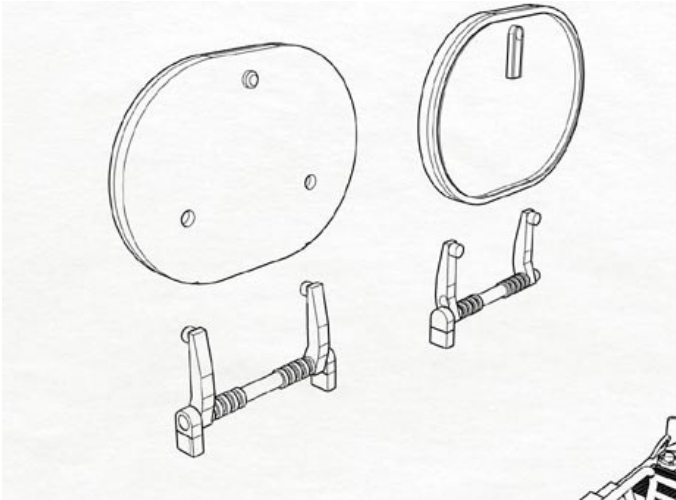
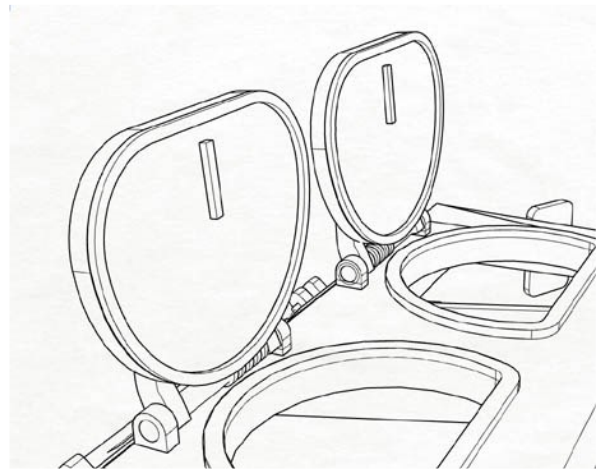
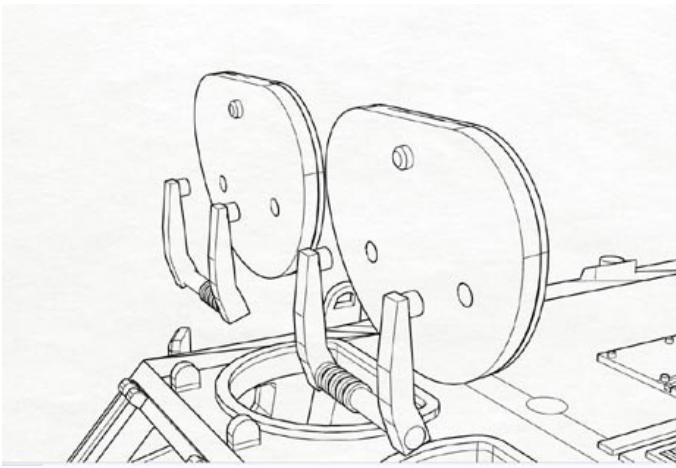
Note:
Do use acrylic or CA glue for metal parts!



Front armour/splash guard from sprue B

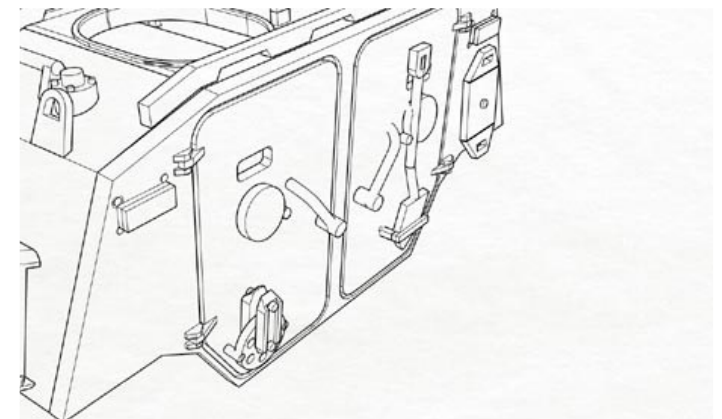
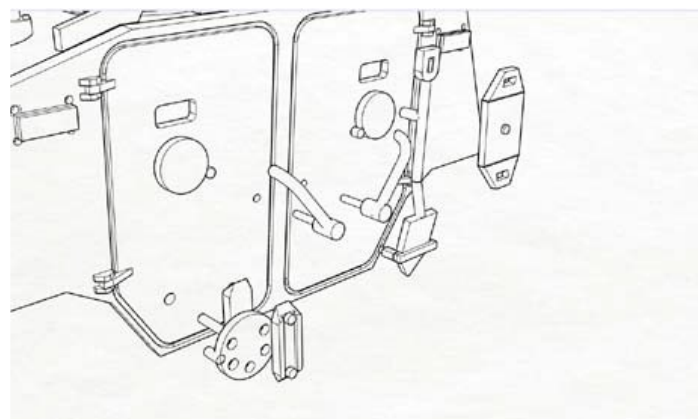
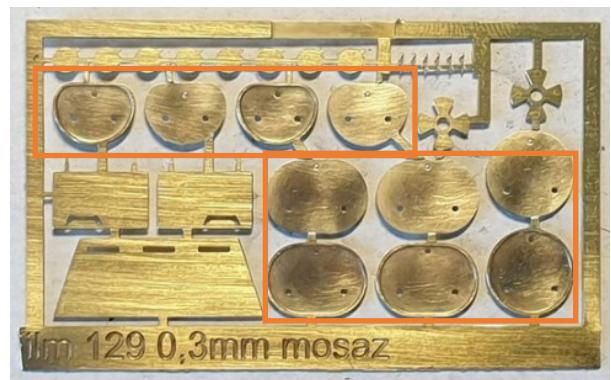
Window armour from sprue B. Can be built open or closed.

You can also use PE parts from separate sheet.

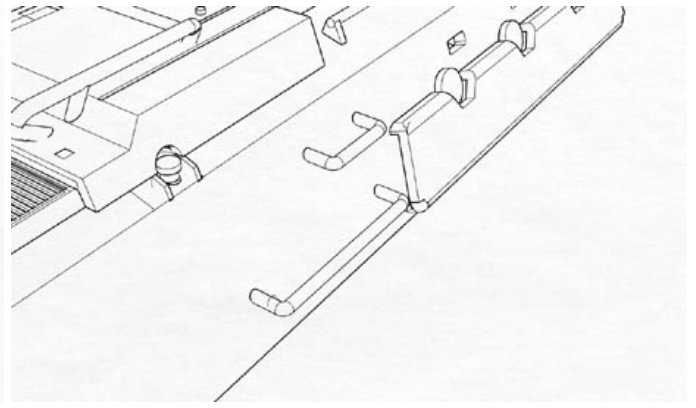
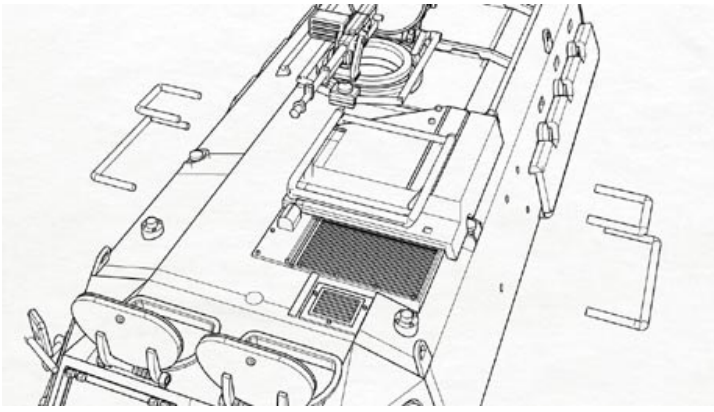


All hull top hatches are on sprue A and XA

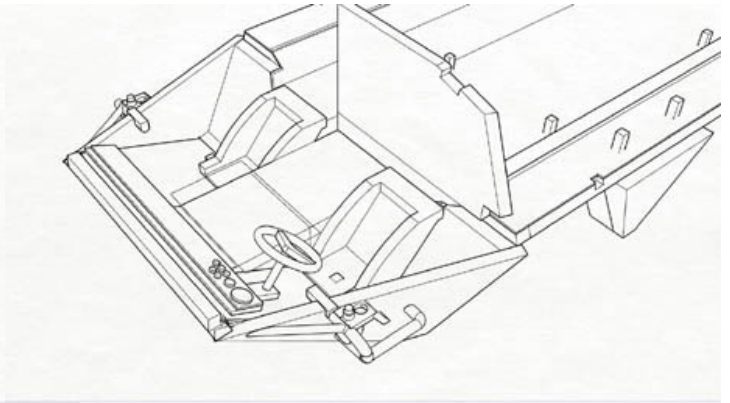
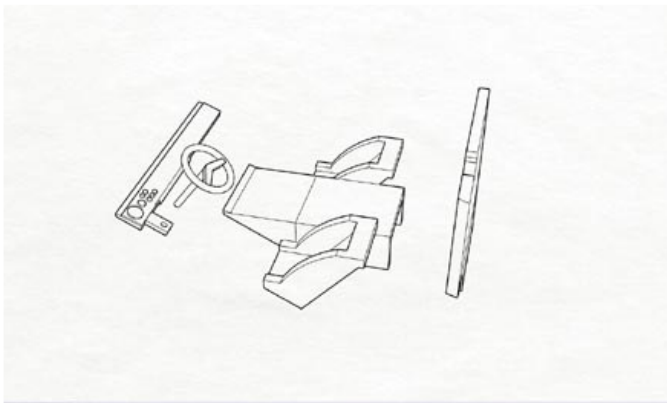
You can also use PE sheet hatches.



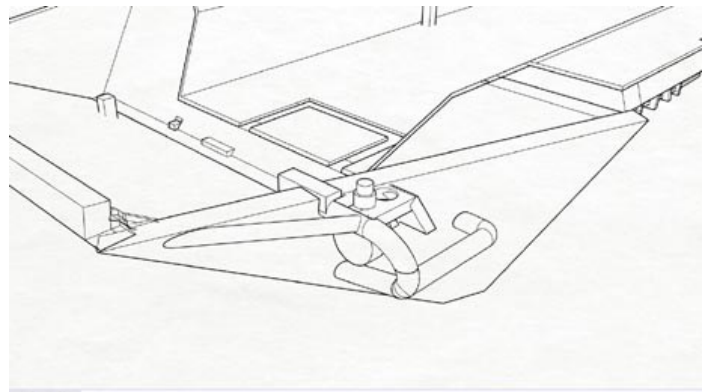
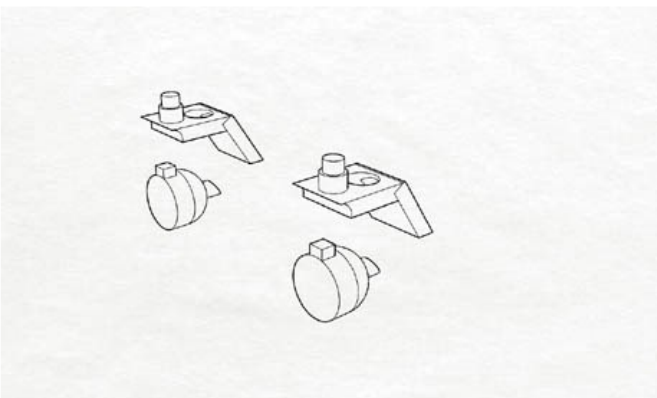
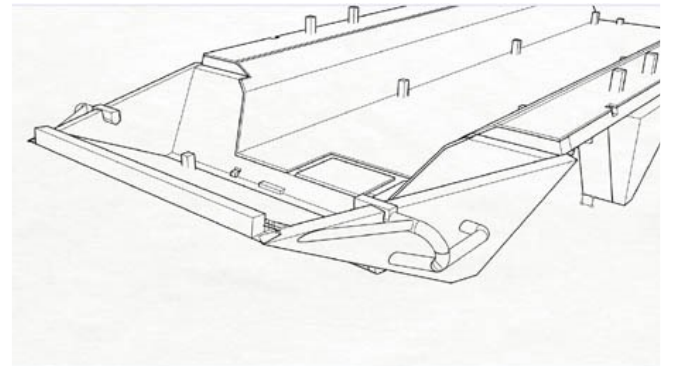
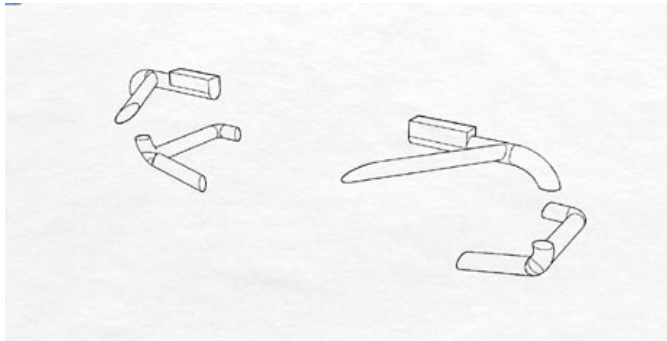
Hull rear details, sprue B



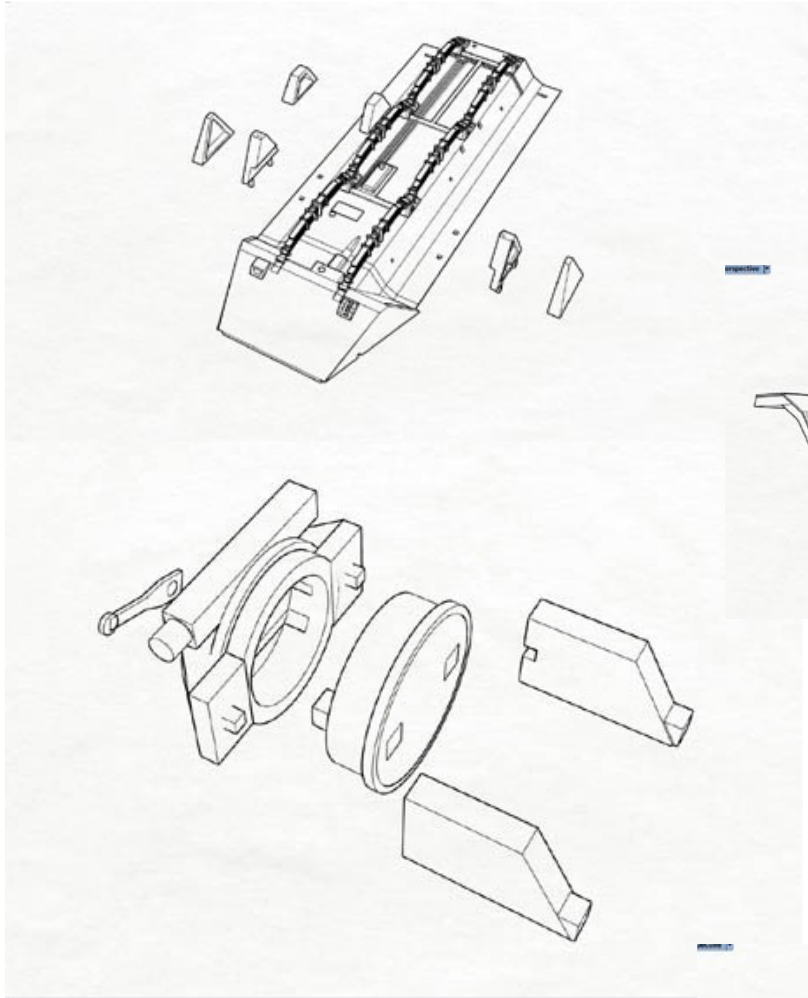
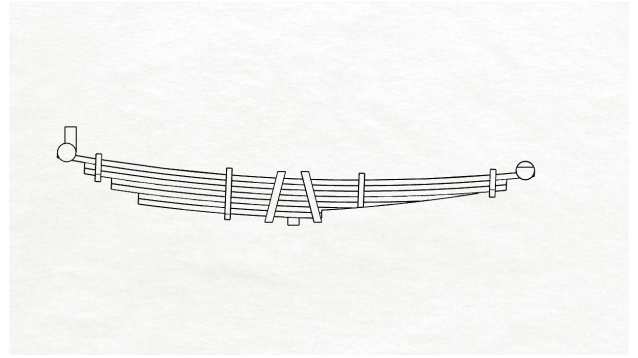
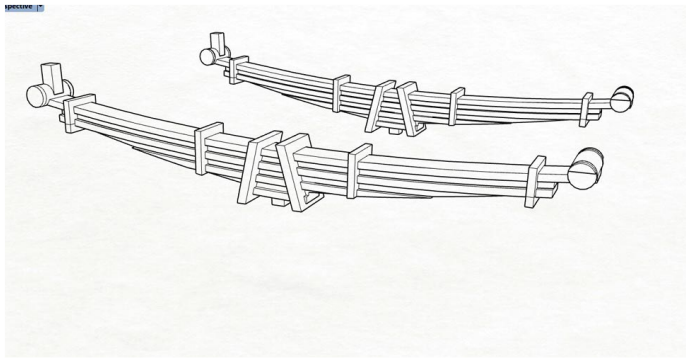
Ladders from sprue XA. You can also use metal wire should you want finer details.



Drivers compartment, sprues A and B

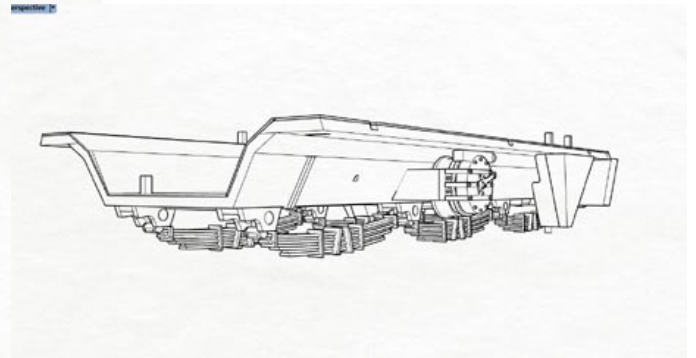


Headlights and headlight protection bars from sprue B

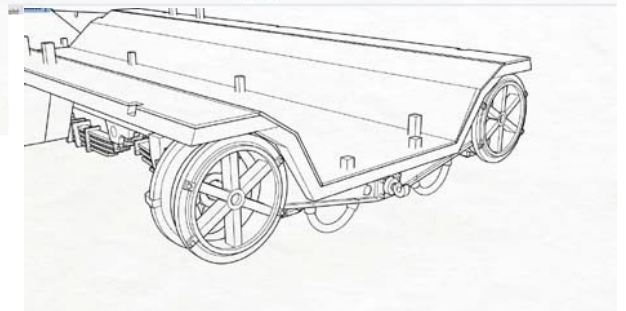
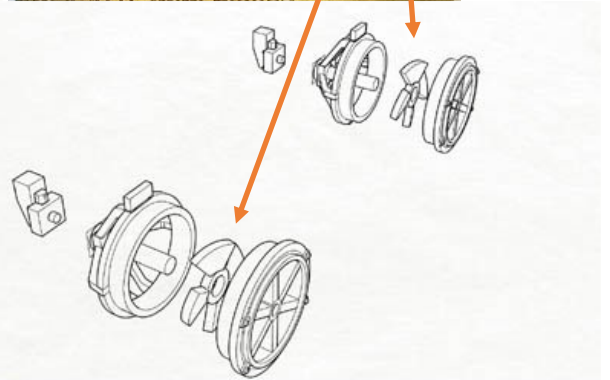
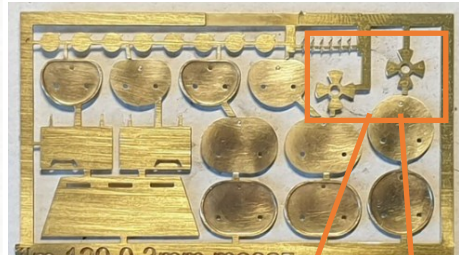


Springs from sprue E and undercarriage details from sprue B

You can bend the springs a little should you wish, see picture top right.

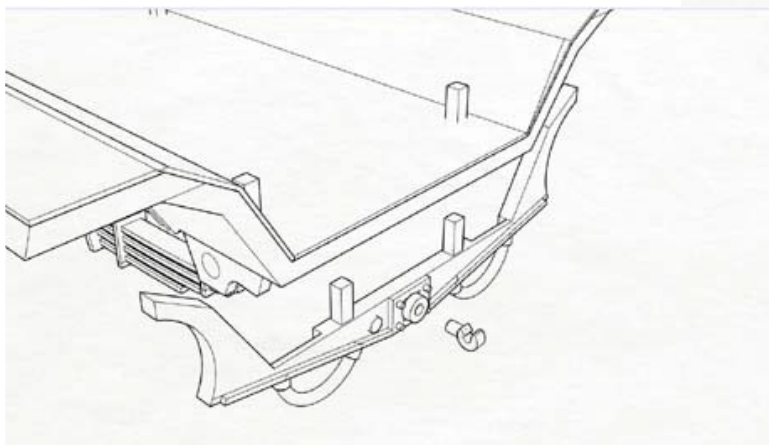


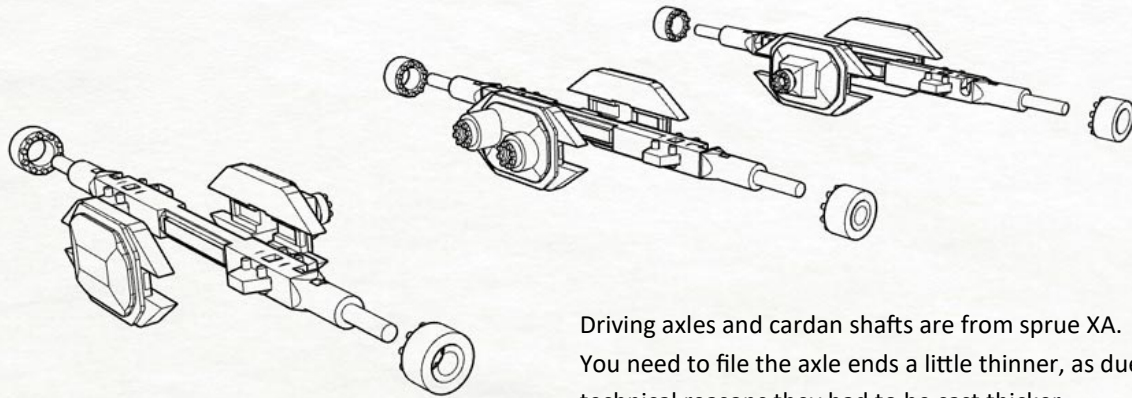
Winch from sprue B



Rear plate details and propellers from sprue B

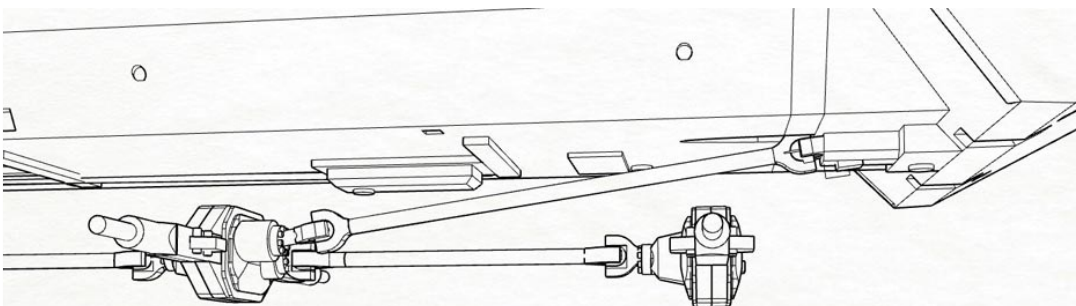
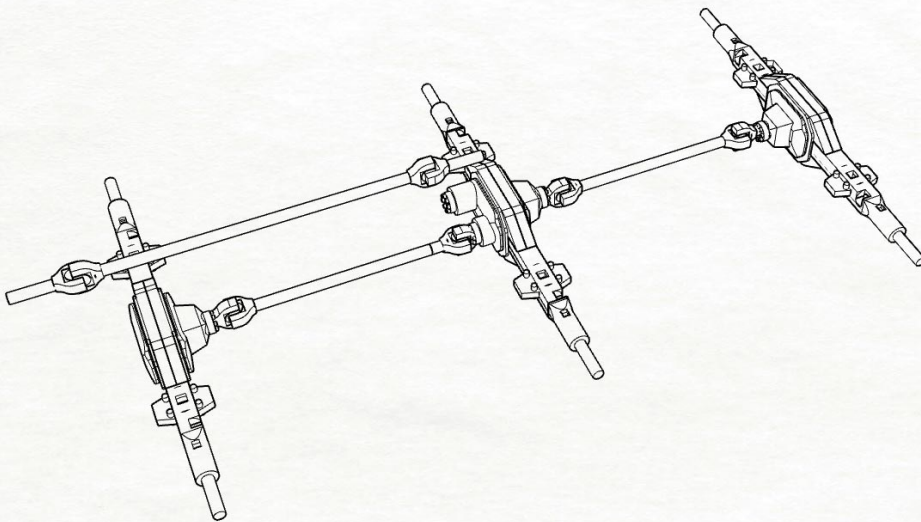
You can also use metal propellers from PE sheet

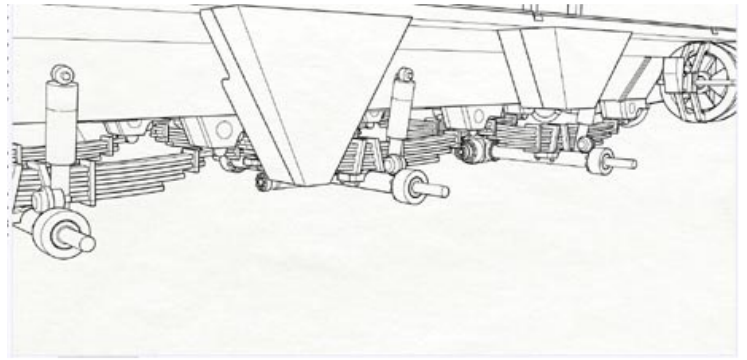
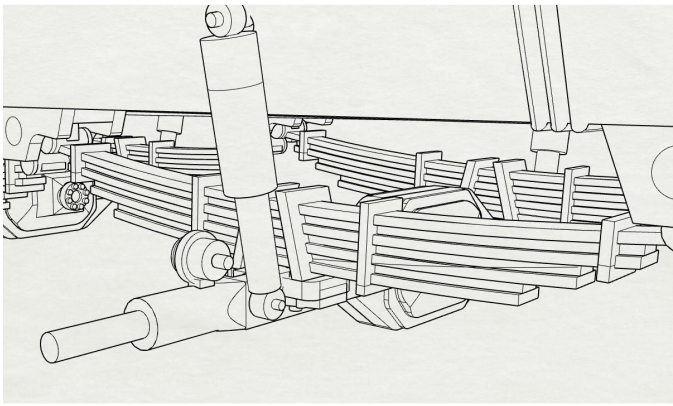




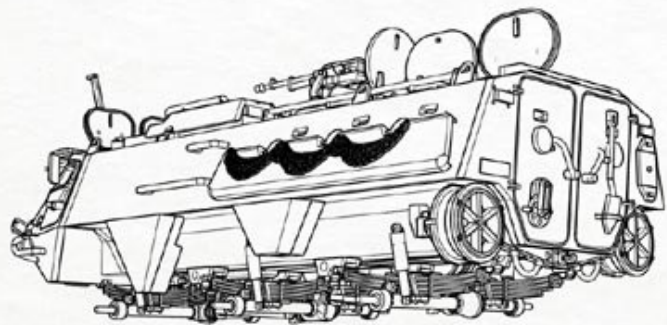
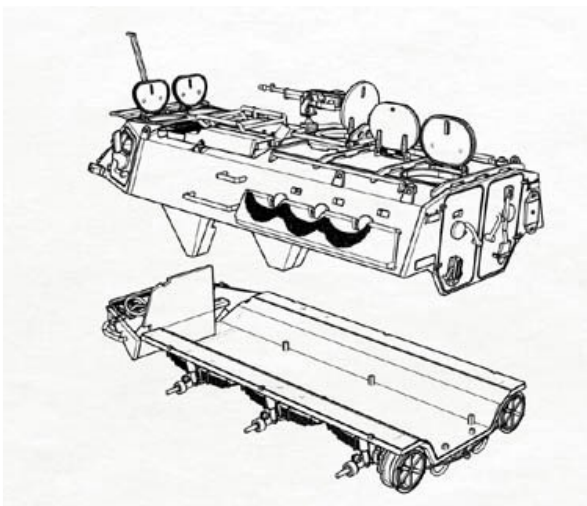
Driving axles and cardan shafts are from sprue XA.
You need to file the axle ends a little thinner, as due to mold technical reasons they had to be cast thicker.

See pictures of complete model below for help.



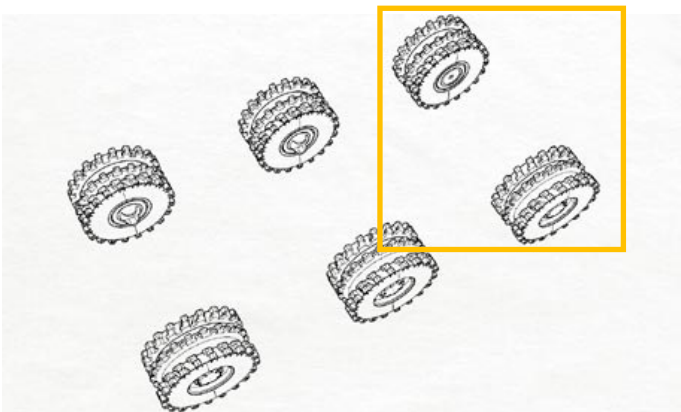


Shock absorbers and brake drums from sprue B



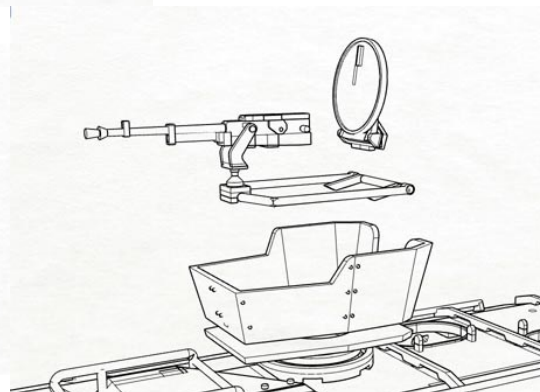
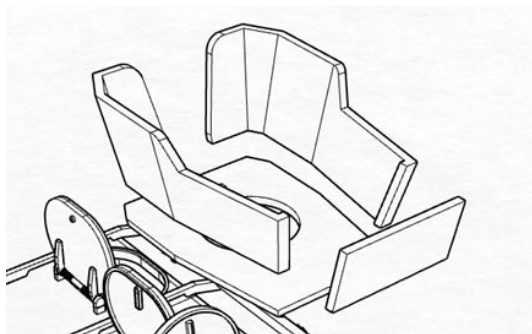
Connecting upper and lower hulls. Be careful when joining the parts.

Before gluing the parts together make window glasses from clear plastic sheet.



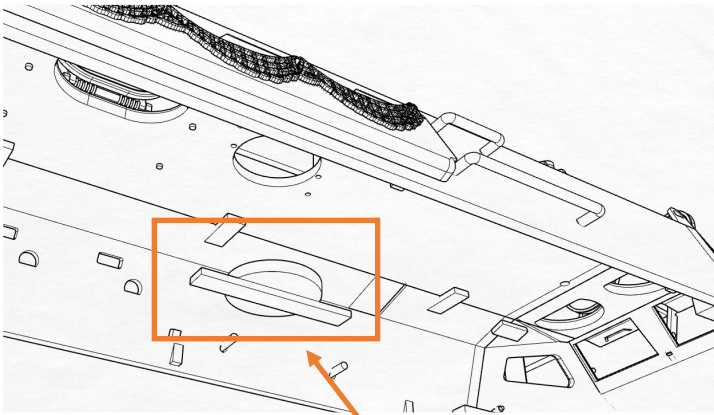
Wheels are assembled in layers to create authentic tire pattern.

Every wheel has inner, middle and outer part. Middle and outer parts are identical on all 6 wheels, but rear axle inner part is different as rear axle is not steerable.



Optional gun shield for Danish, Norwegian, Estonian and Swedish vehicles.

Shield parts are from sprue D, gun from sprue B.

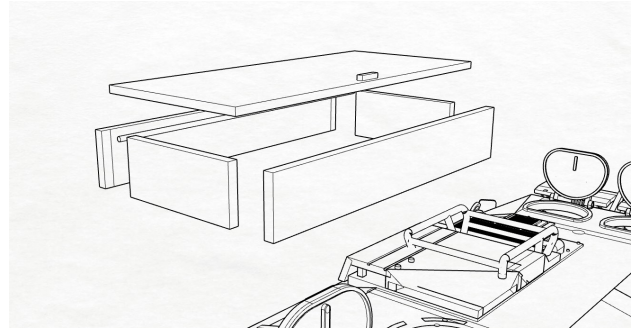


Ambulance version:

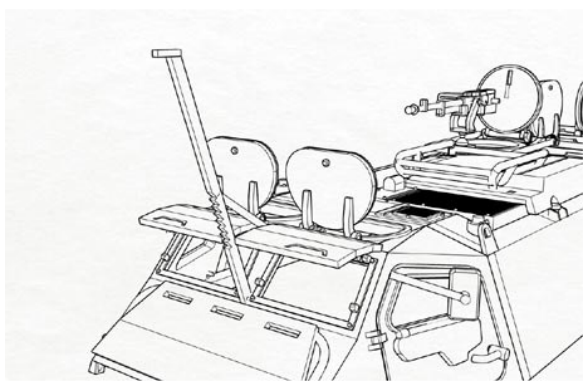
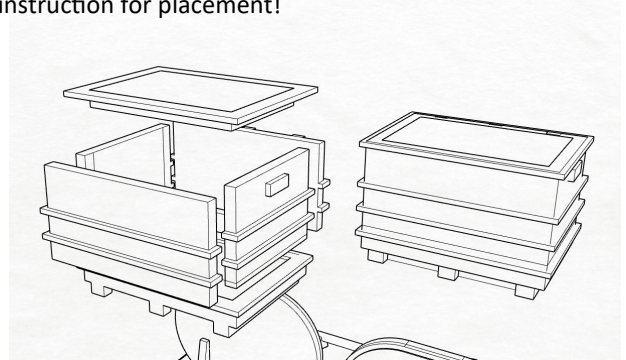
Use part from sprue D to close hull top hatch from below.

Ambulance emergency lights are on sprue E.

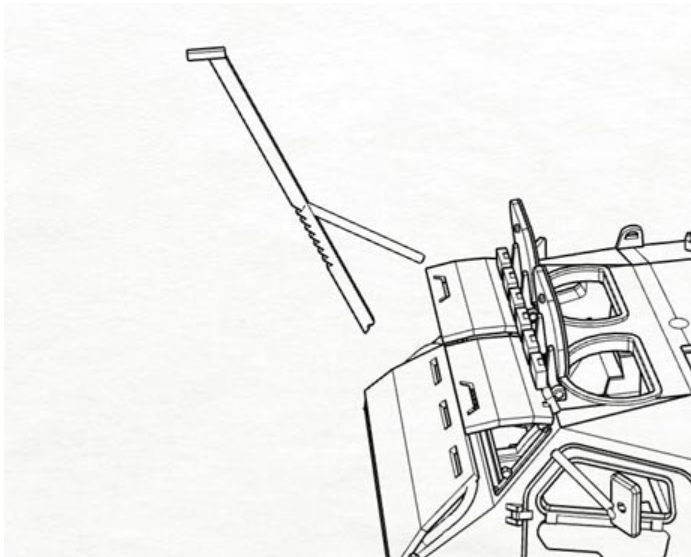
Two small boxes are for Finnish SFOR as well as foreign ambulance versions. Found from sprue D



Large box is used for Finnish Army and Finnish KFOR ambulances and can be found from sprue E. See painting instruction for placement!



Wire cutter is used on all peacekeeping versions. Extra lights from sprue E can be used as option.



Combat Models

malliharrastajan tavaratalo

In co-operation with



Also available:

Combat Models
malliharrastajan tavaratalo

Sisu XA-180 "Pasi"

Finnish Defence Forces
Decals for 5 different versions:
Finnish Army, Military Police,
Police and FRDF
Scale 1/72

Kit includes metal wire for handles.
Kit DOES NOT include:
paint, figures, diorama base or glue
▲ For ages over 14 years

Combat Models
malliharrastajan tavaratalo

Sisu A-45 "Proto"

Decals for
Finnish Army
UN Peacekeepers
Finnish State Railways VR
Mil-Safari
Scale 1/72

Contains parts for one vehicle.
Kit DOES NOT include:
paint, figures, diorama base or glue
▲ For ages over 14 years