

Russian 9P140 TEL of 9K57 Uragan Multiple Launch Rocket System

俄罗斯9K57“飓风”自行多管火箭炮

READ BEFORE ASSEMBLY:

- Study and understand these instructions thoroughly before beginning assembly
- When needed, remove photo-etch parts carefully using a modeling knife or photo etch sprue cutter, being careful not to damage or lose small parts.
- Take extra care in handling photo etch parts in order to avoid injury
- Apply instant cement sparingly to photo etch parts where instructed
- Tools recommended(not included in kit):Plastic and instant cements, sprue cutters,long nose pliers,modeling knife, small files, tweezers, pin vise & scissors. Soft cloth and sandpaper will also assist in construction
- Glue and paint are not included in the kit. Use plastic cement and hobby paints only. Color guide for purchasing paint is included in the kit.

装配之前仔细阅读

- 小心用模型锉刀锉平所有零件表面的注射浇口。
- 小心用刀片切下蚀刻片零件，不要遗失小零件。
- 用强力快干胶水粘合蚀刻片零件和金属轴。过量快干胶水使用可能导致可动零件会粘住，小心涂胶。
- 取蚀刻片时应特别注意安全，防止利边划伤手指。
- 某些零件表面需贴上水贴纸，请选择在装配的同时进行。
- 推荐模型工具(自备)：胶水，水口剪刀，长咀钳，刀片，锉刀，镊子，钳，钻，剪刀，瞬间快干胶。
- 软布同砂纸同时也应该是必备工具。
- 请使用塑料胶水和油漆，模型内不含。



配重
Weight



使用强力胶
Cyanoacrylate glue



钻孔
Make hole



切除
Cut / Remove



贴纸
Decal



锉平
File / Sand



选择
Option



不涂胶水
No cement



弯曲
Bend



先装
Install it first

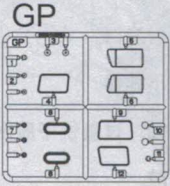
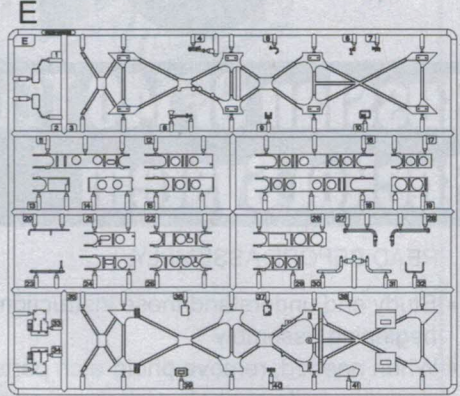
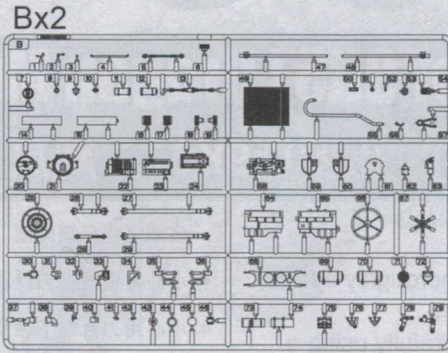
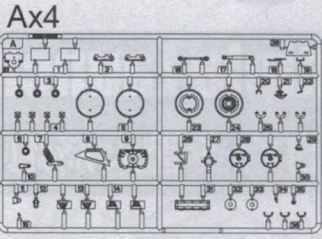
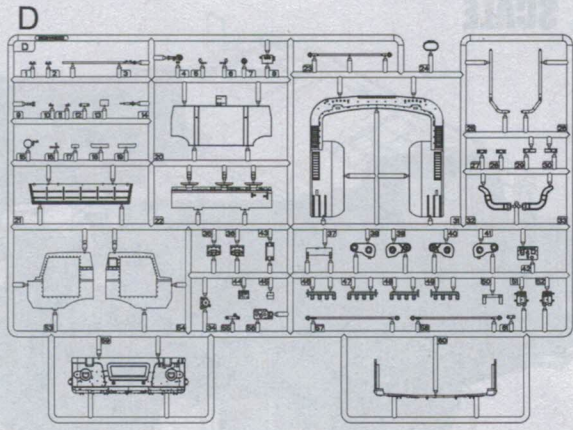
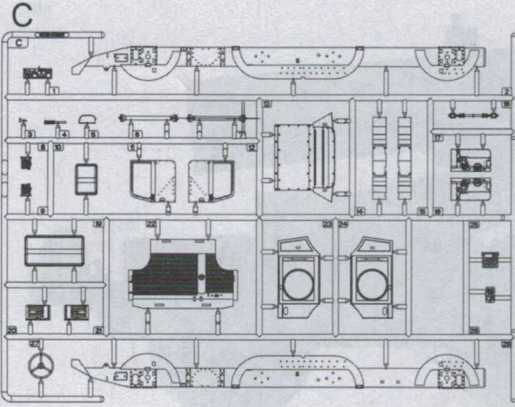
水贴纸的使用:

- 1.从水贴纸上剪下印花;
- 2.将印花放入温水中浸10秒,然后放在干净布上。
- 3.拿着印花纸板将印花移到模型上;
- 4.手指蘸水将印花移到适当的位置;
- 5.用软布轻压印花直至水干,气泡消失

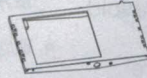
DECAL APPLICATION

- 1.Cut decals from sheet as needed
- 2.Dip the decal in warm water for about 10 seconds and then place on soft clean cloth.
- 3.Hold the decal backing sheet edge and gently slide the decal onto the model in its proper position.
- 4.While still wet,decal can be adjusted for better fit on model by dampening it gently with your finger.
- 5.When placed in the proper position,gently press decal down with a soft cloth until excess water and air bubbles are gone.
- 6.Allow decal to dry completely before handling model

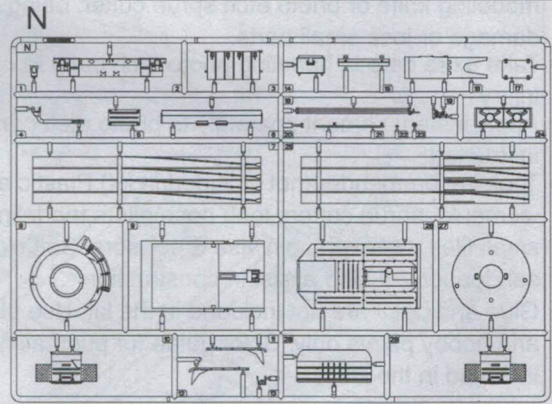
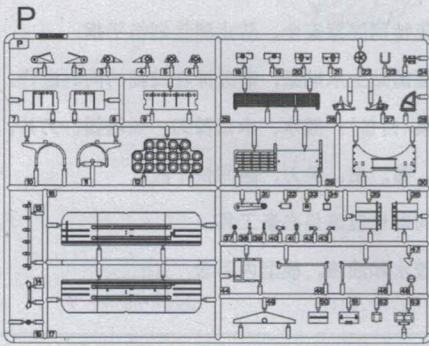
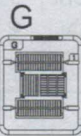
部品图 Parts



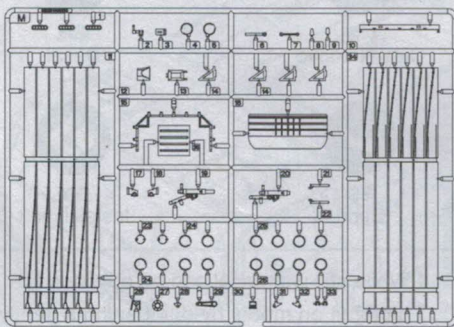
P54



P55



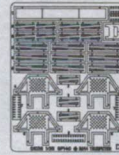
Mx2



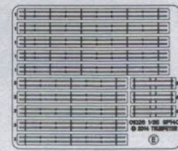
《蚀刻片A》
PE-A



《蚀刻片D》
PE-D



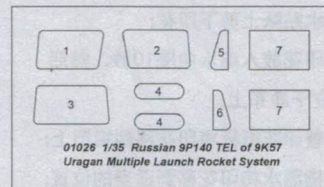
《蚀刻片E》 x2
PE-E x2



《水贴》
Decal



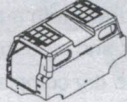
《遮盖纸》 x2
Die-cut mast x2



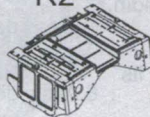
《轮胎》
Tyre x8



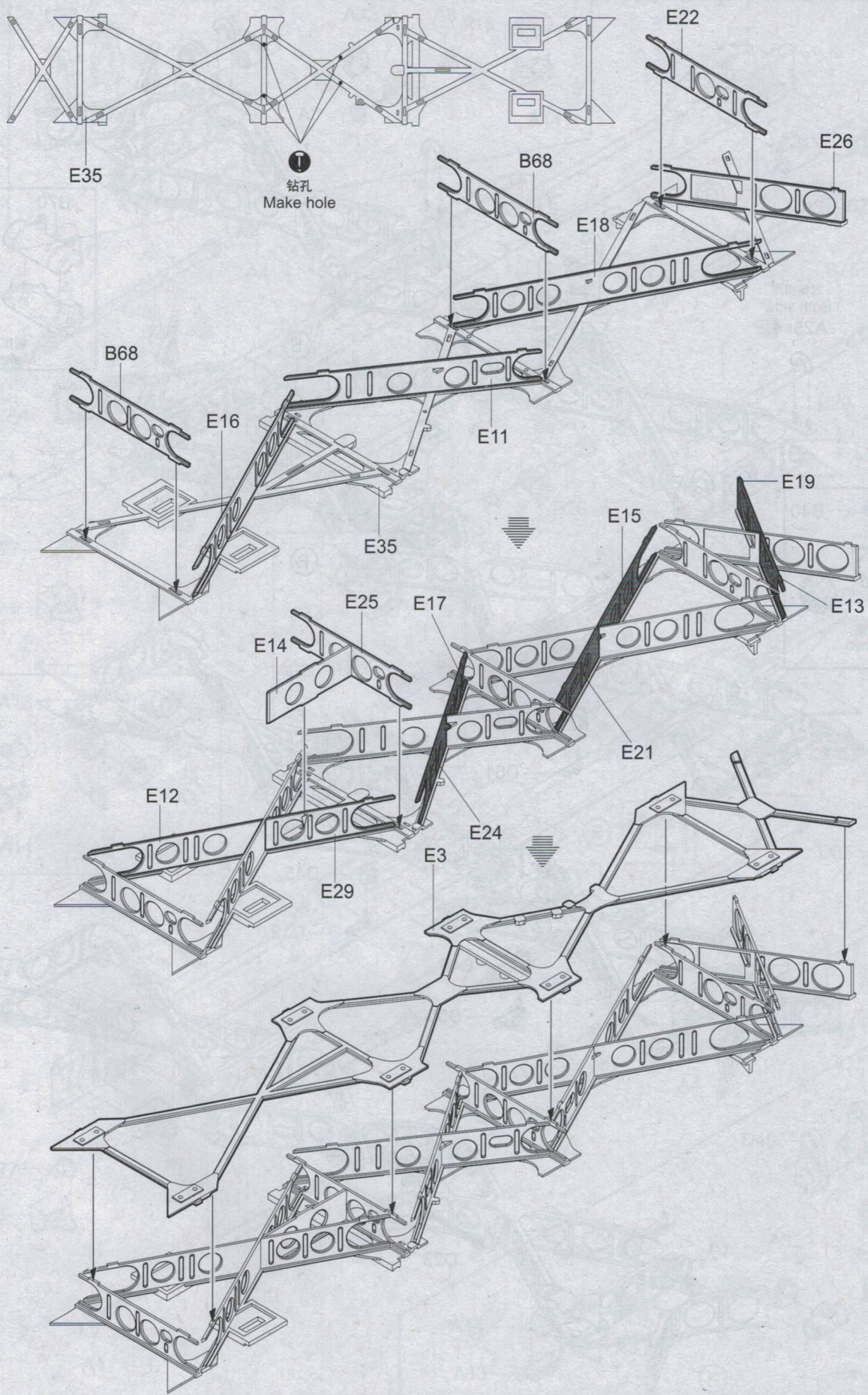
R1



R2



1



对侧相同
Both side
A25×4

对侧相同
Both side

B70 (B)

B69

制作2组
Make two

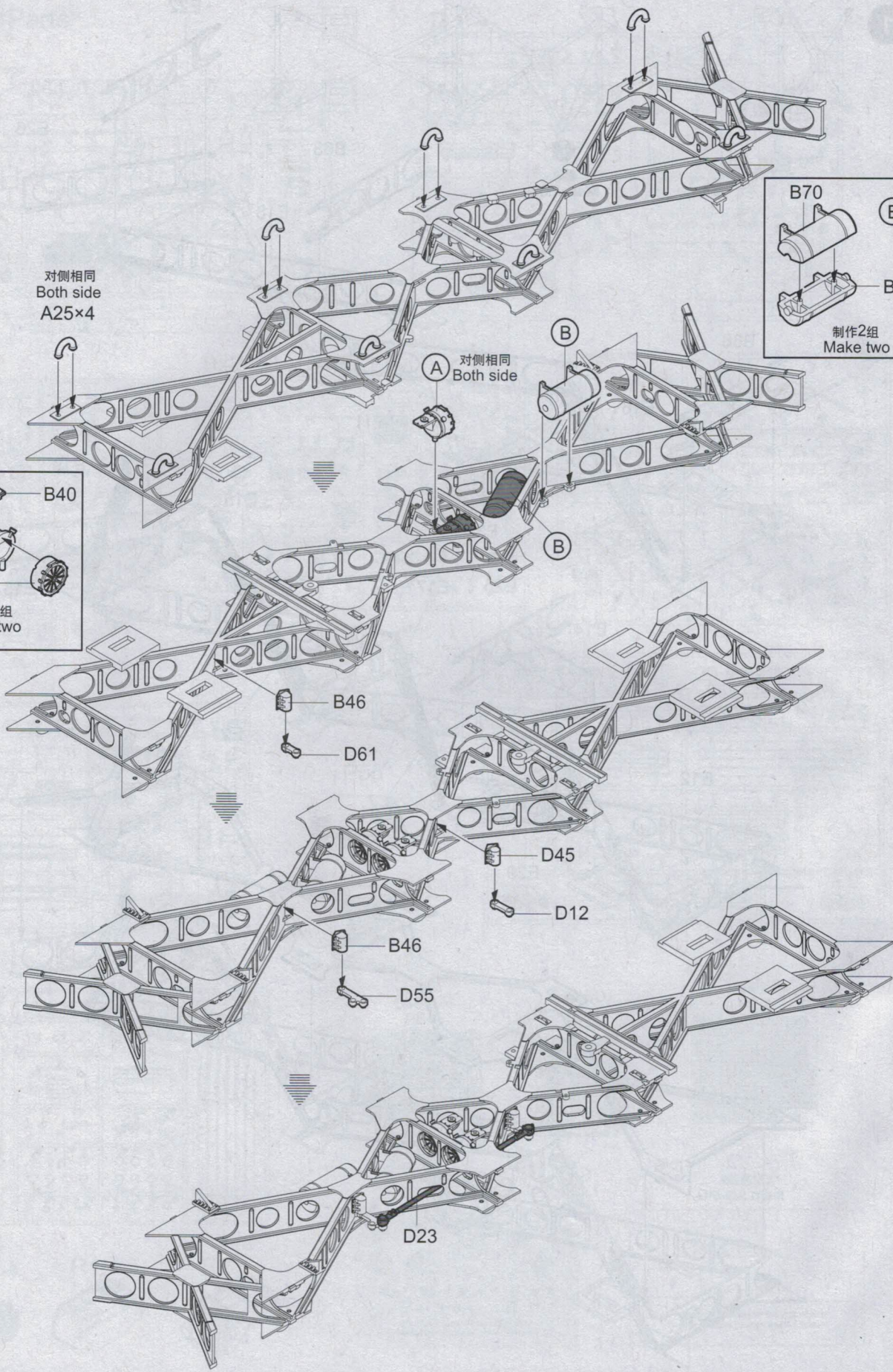
(A)

B40

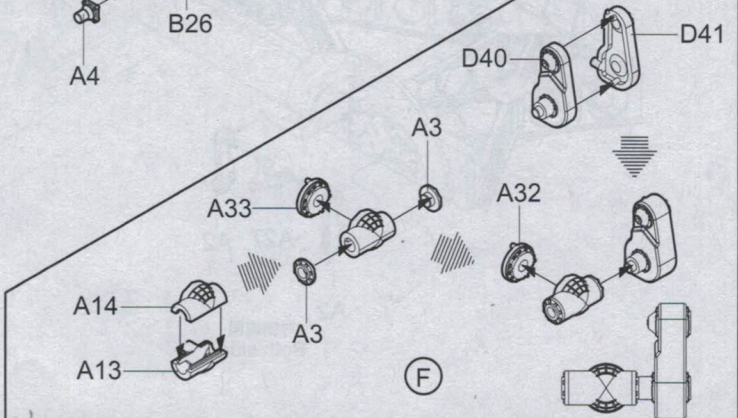
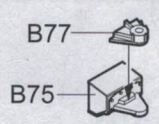
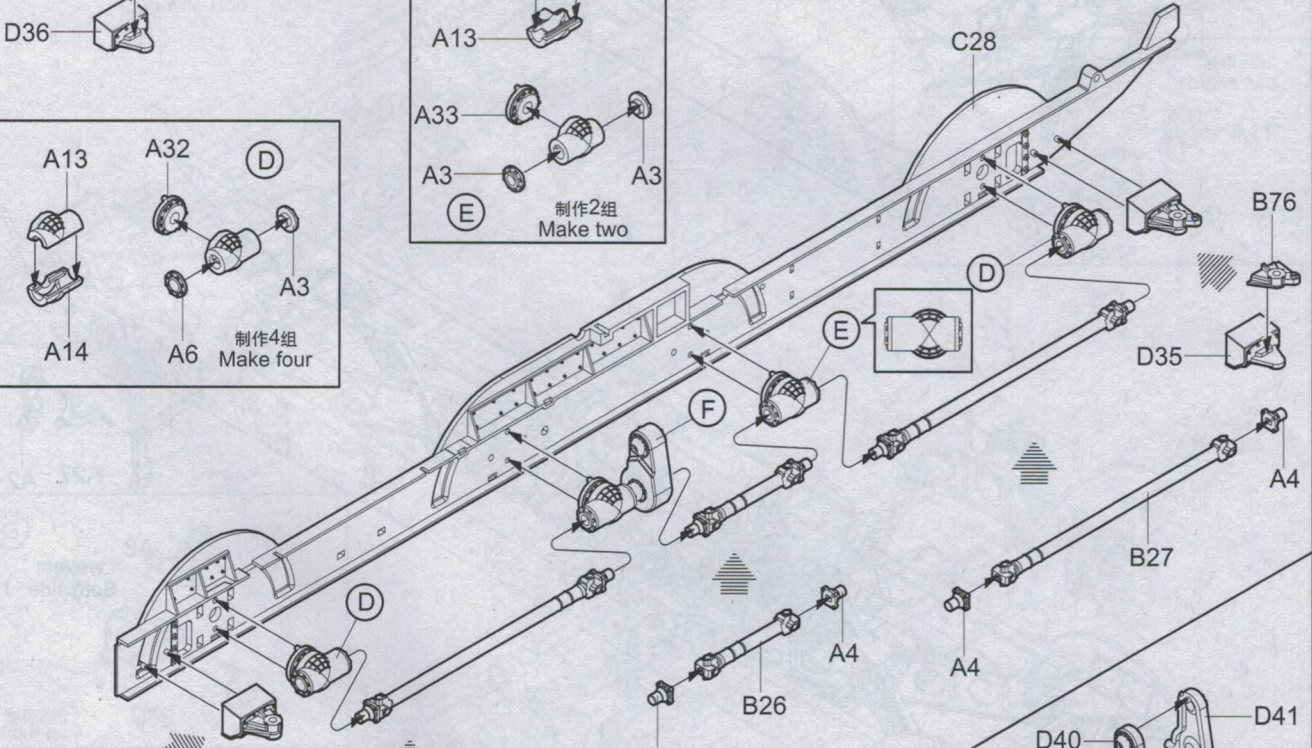
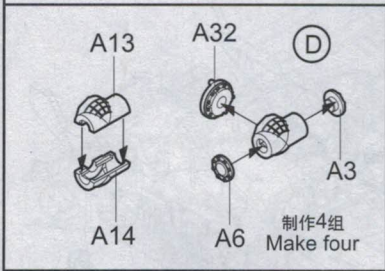
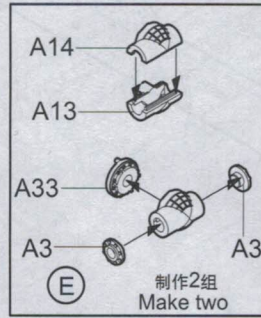
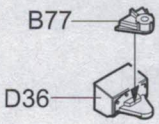
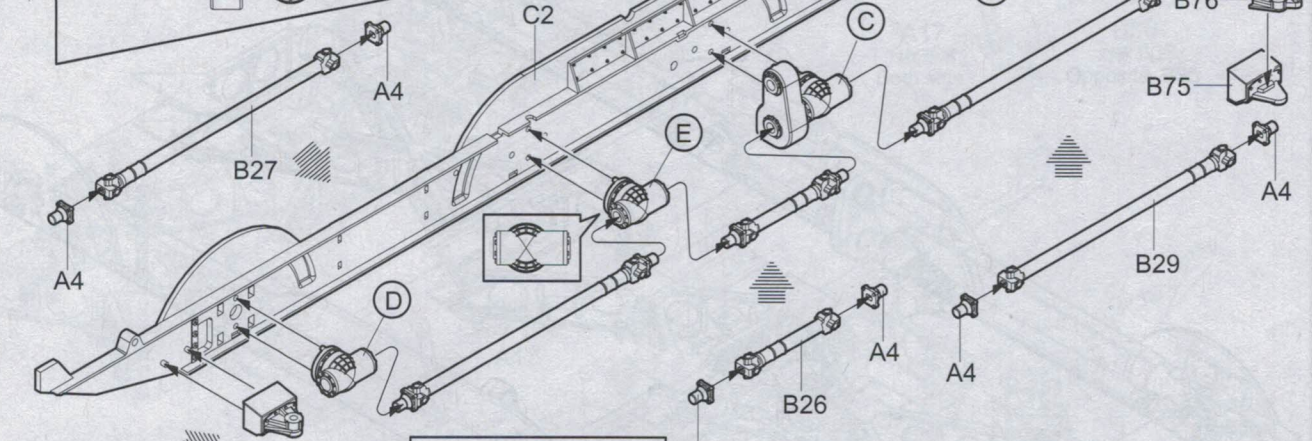
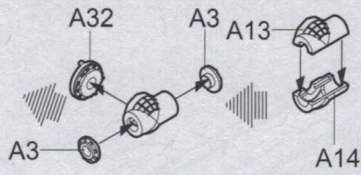
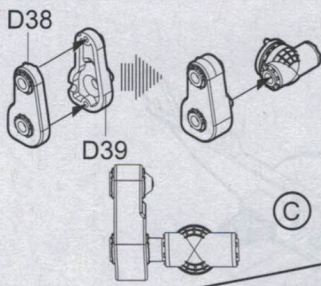
B72

B71

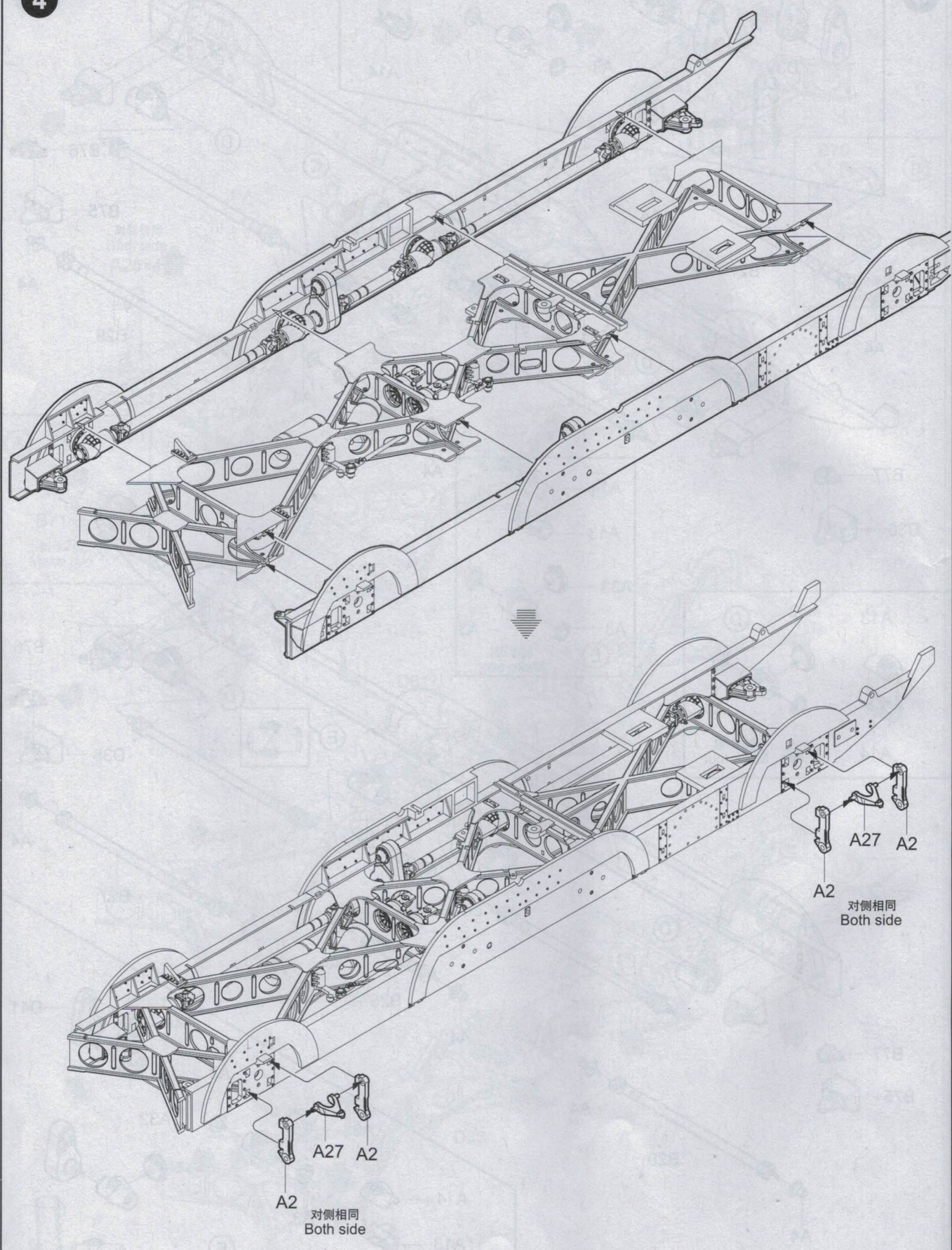
制作2组
Make two



3



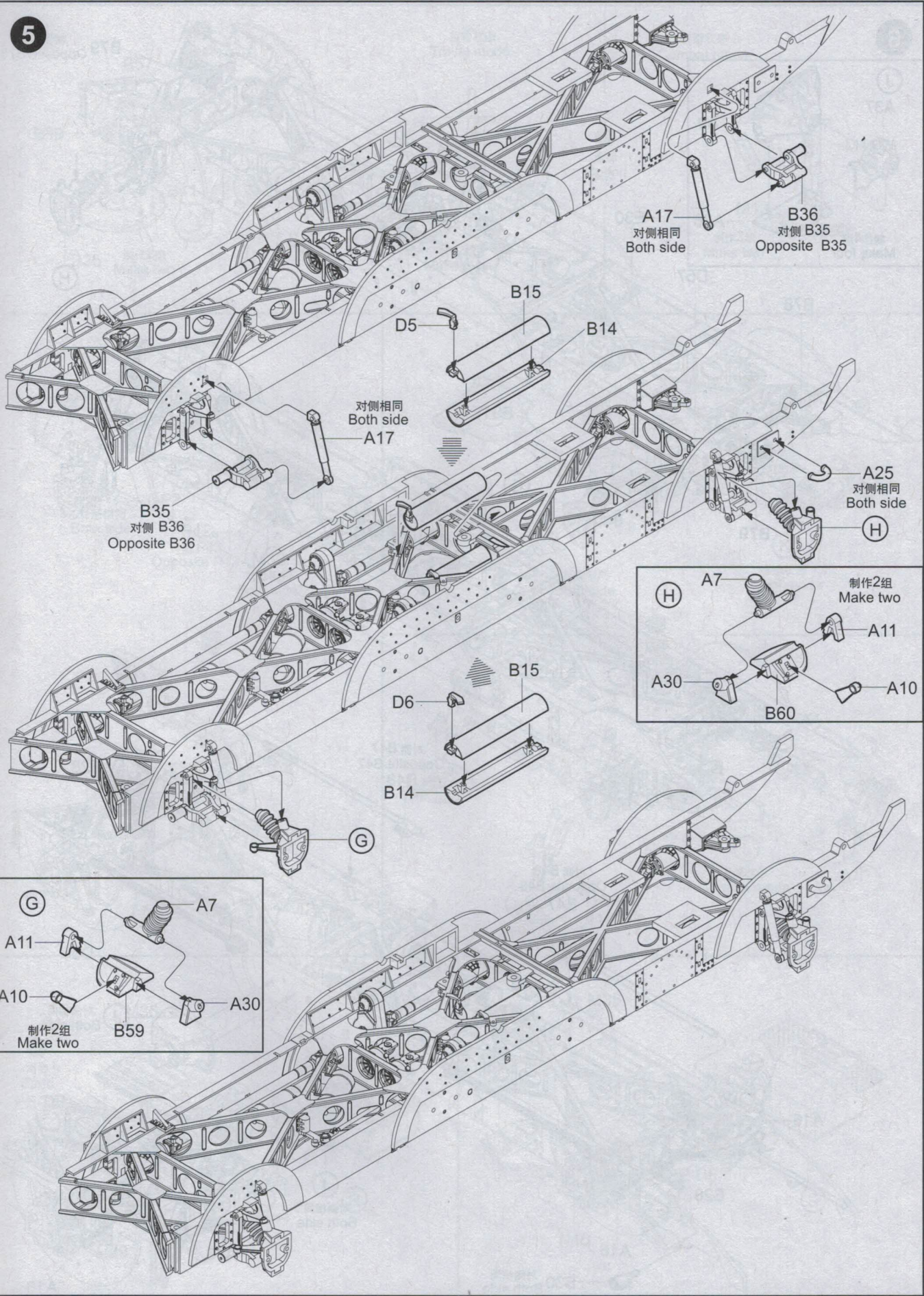
4



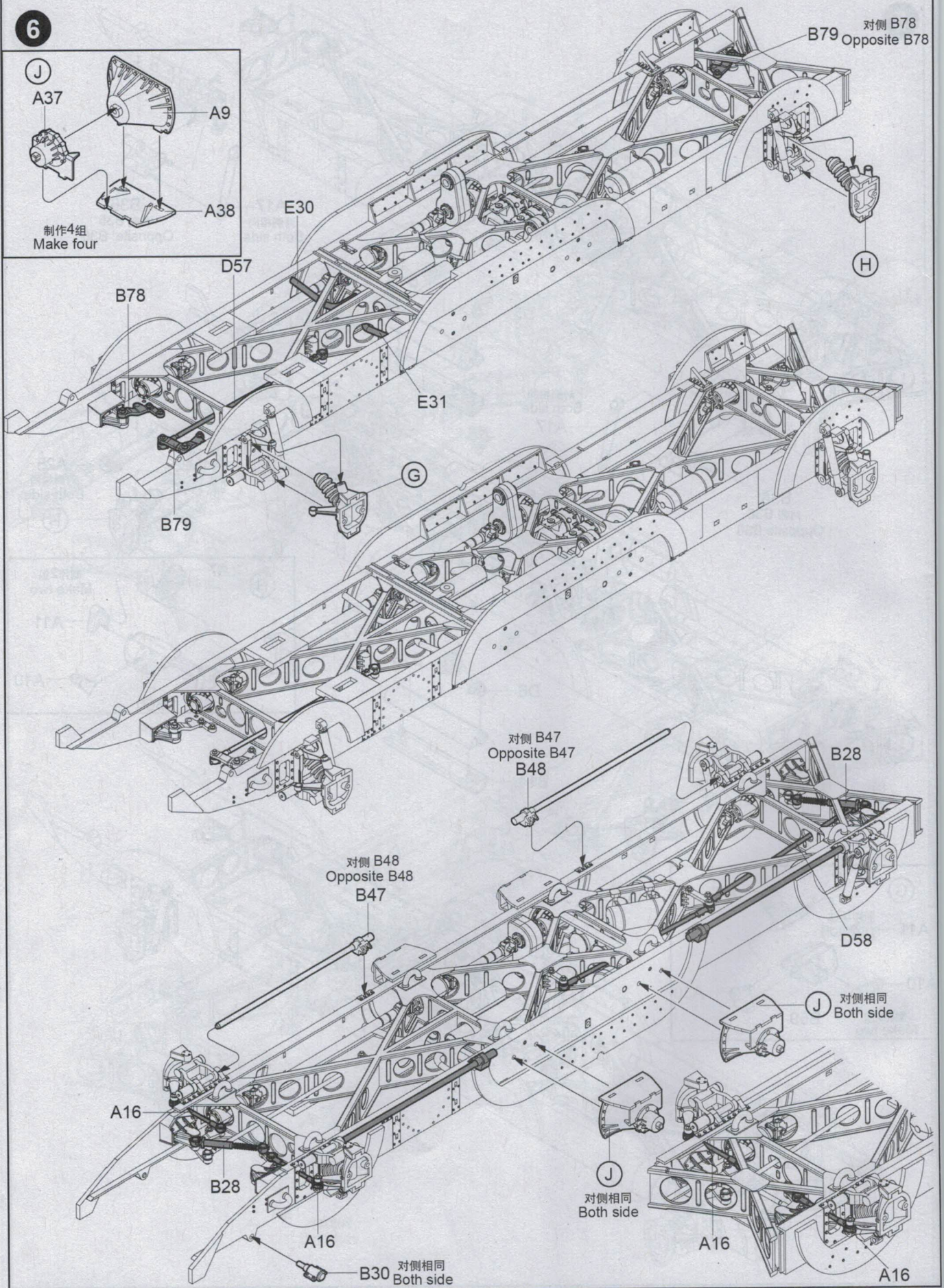
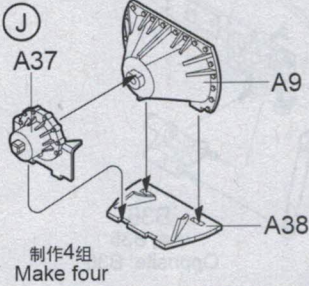
01026

6

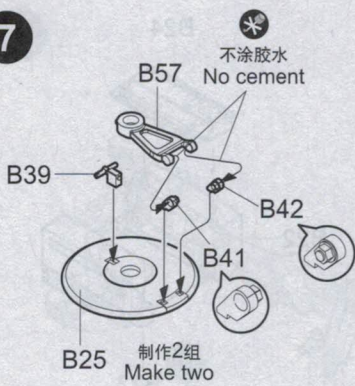
01026



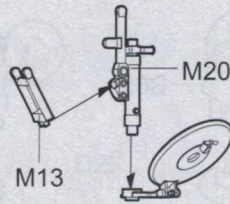
6



7

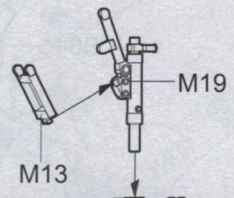


运输状态
Travel mode



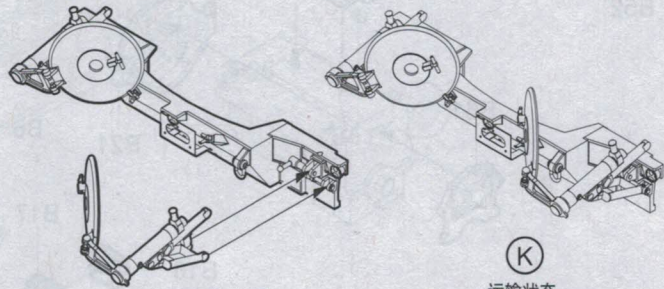
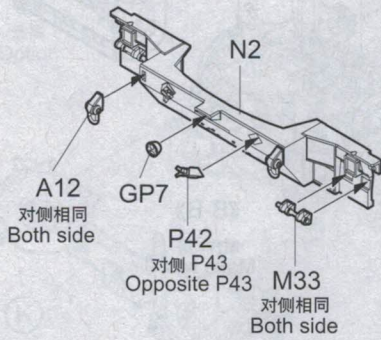
制作2组
Make two

发射状态
Combat mode



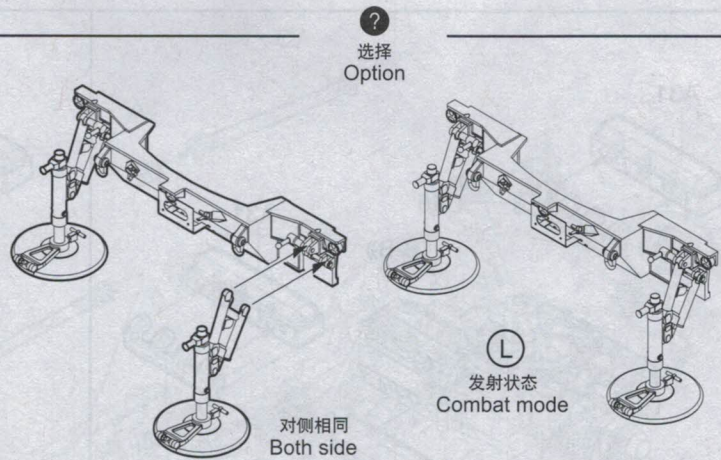
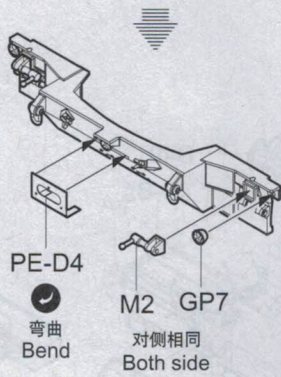
制作2组
Make two

选择
Option



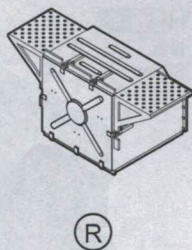
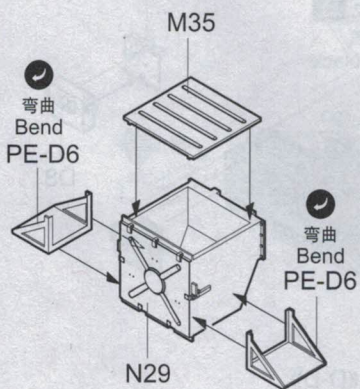
对侧相同
Both side

运输状态
Travel mode

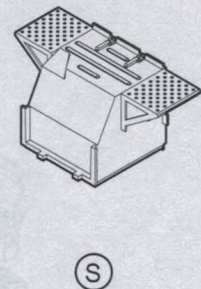
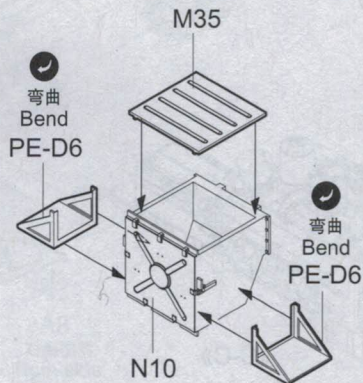


对侧相同
Both side

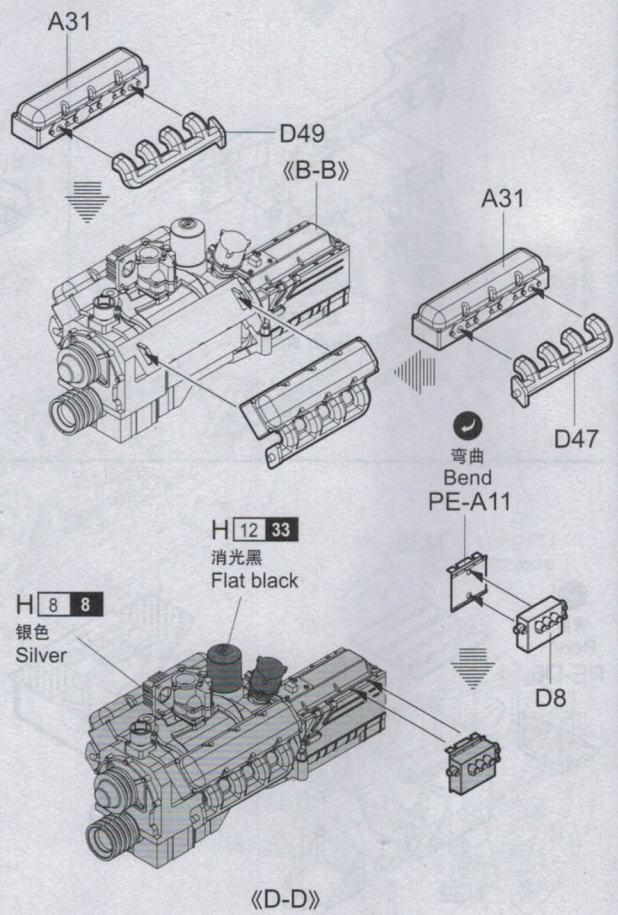
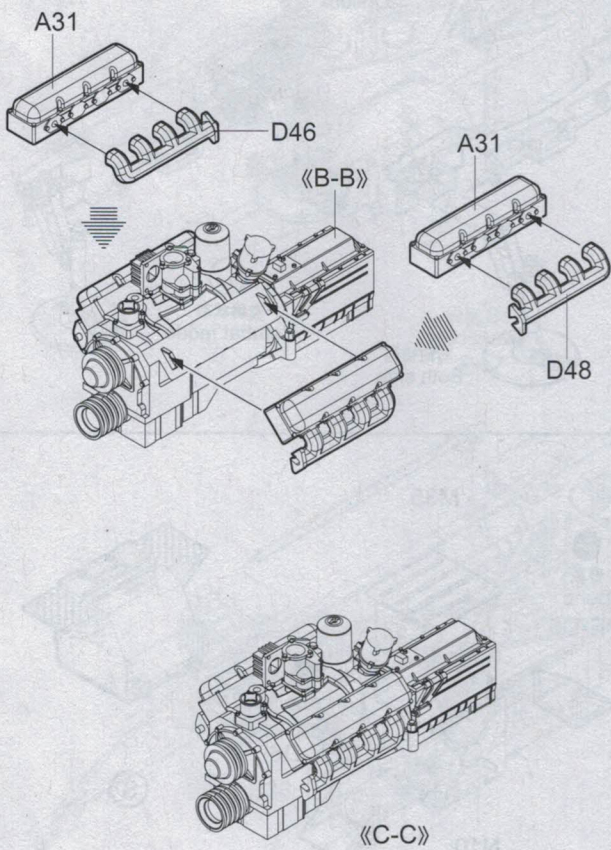
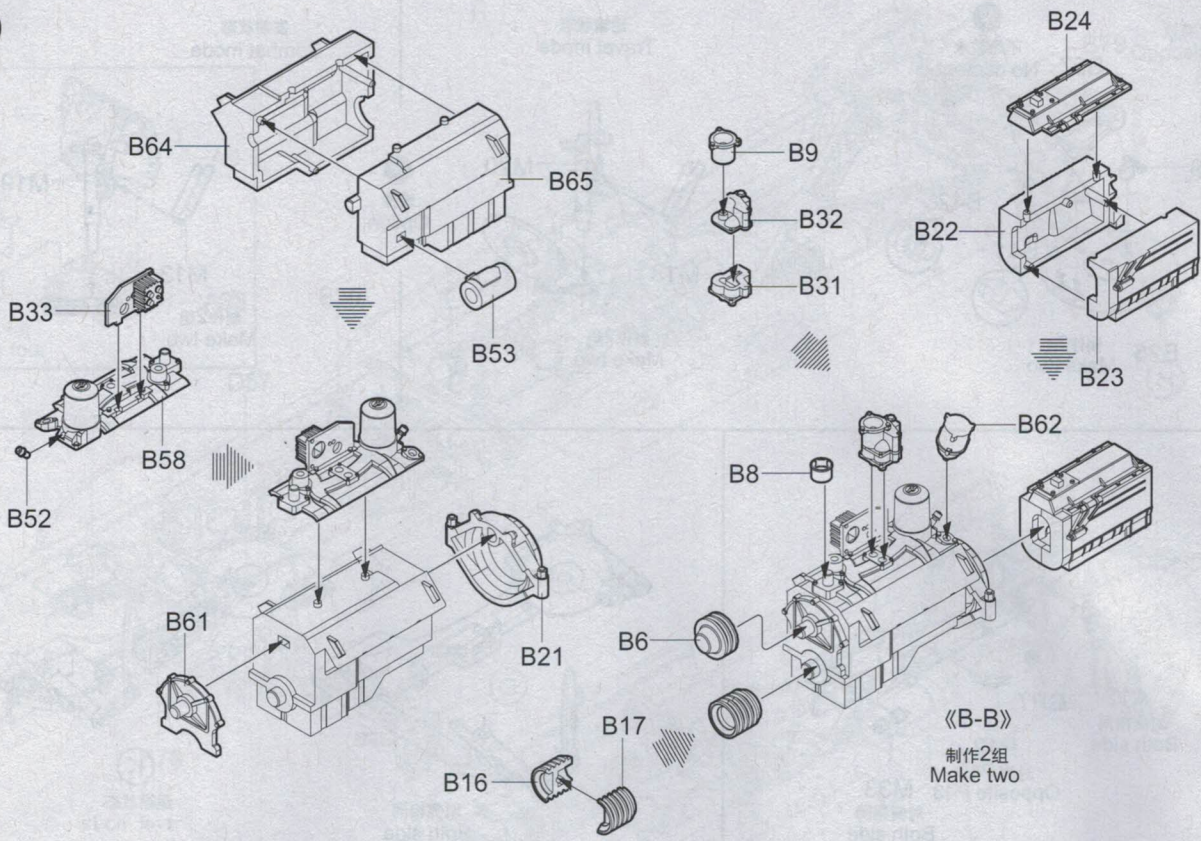
发射状态
Combat mode

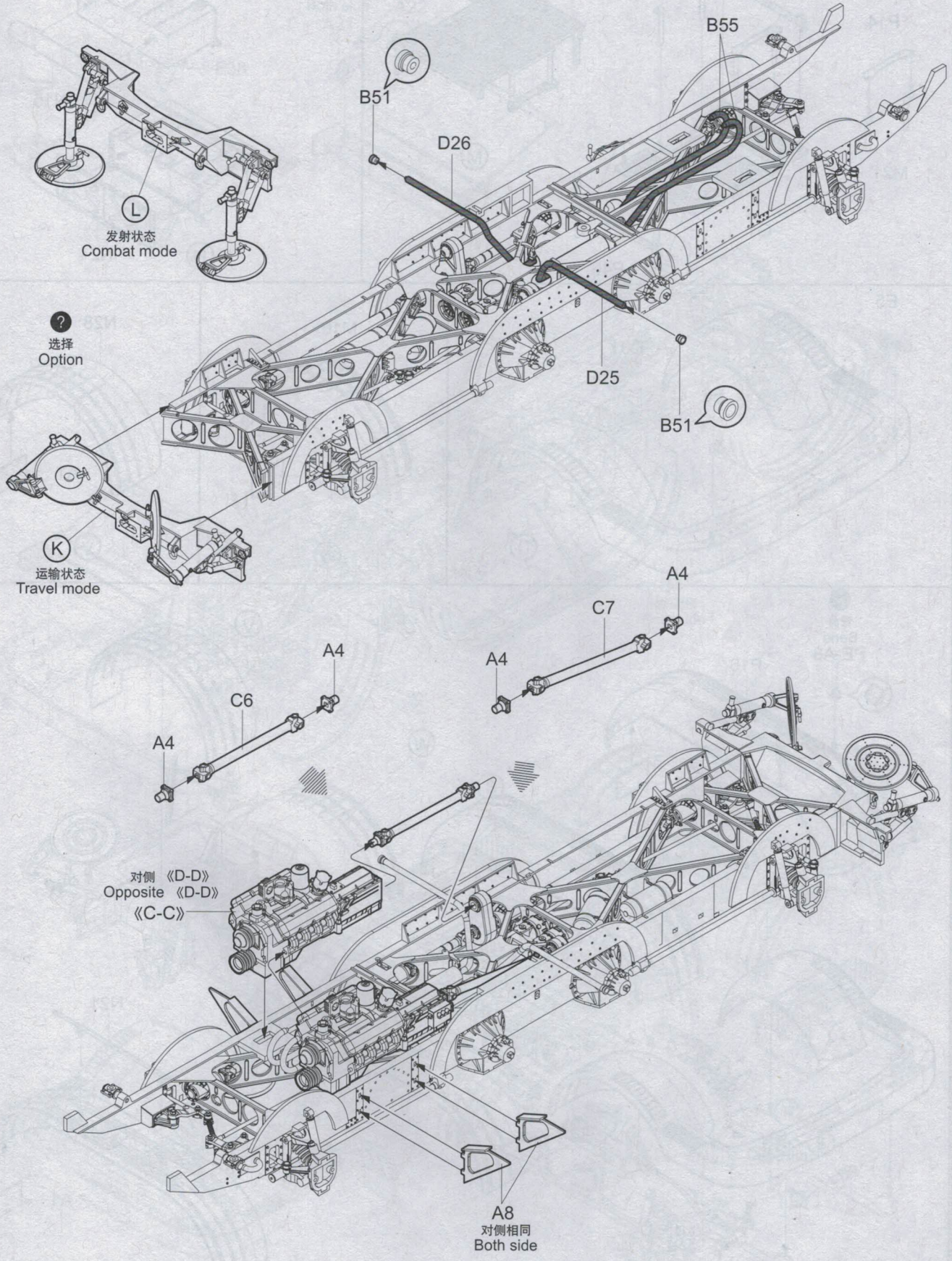


R

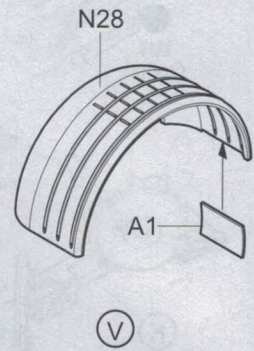
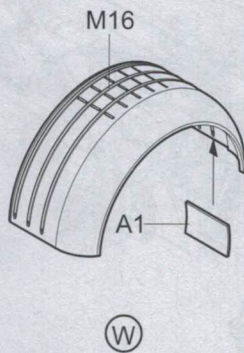
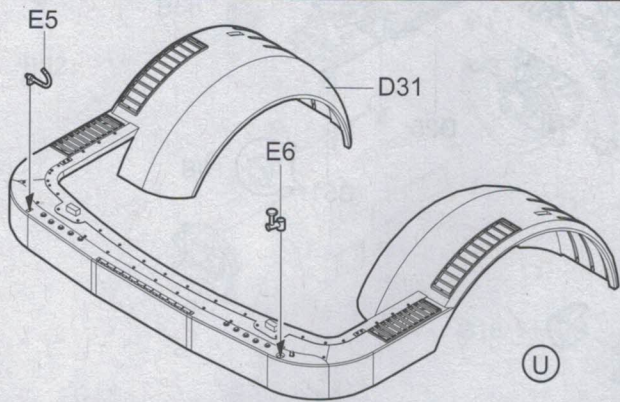
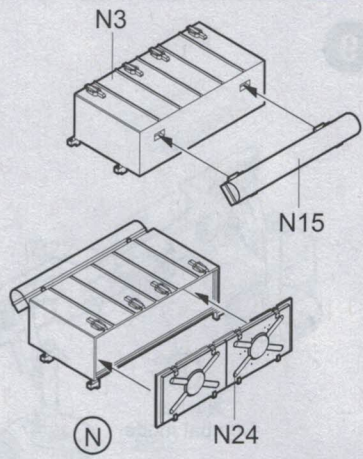
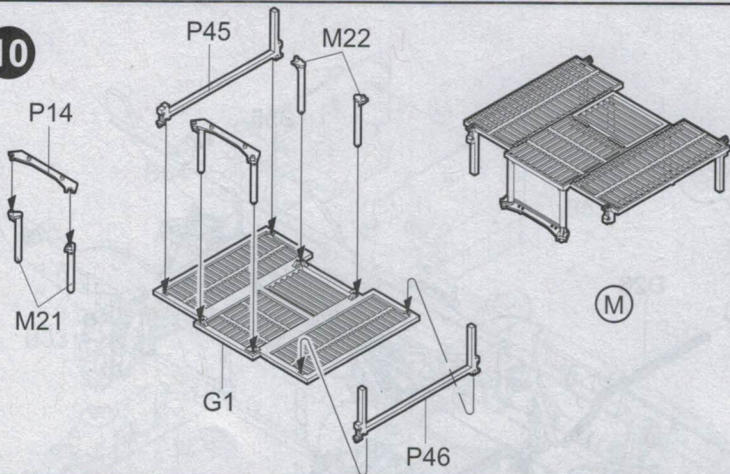


S

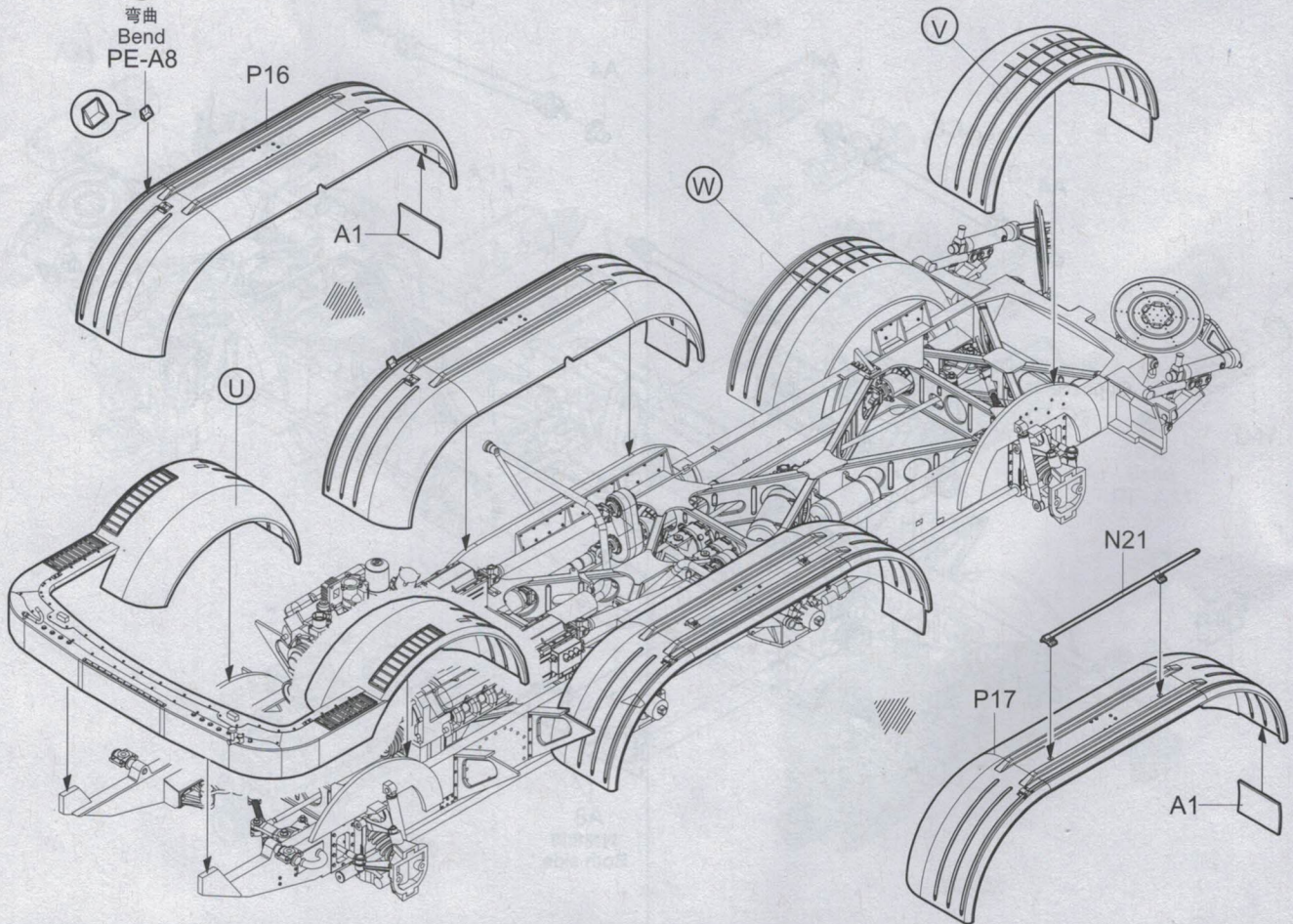




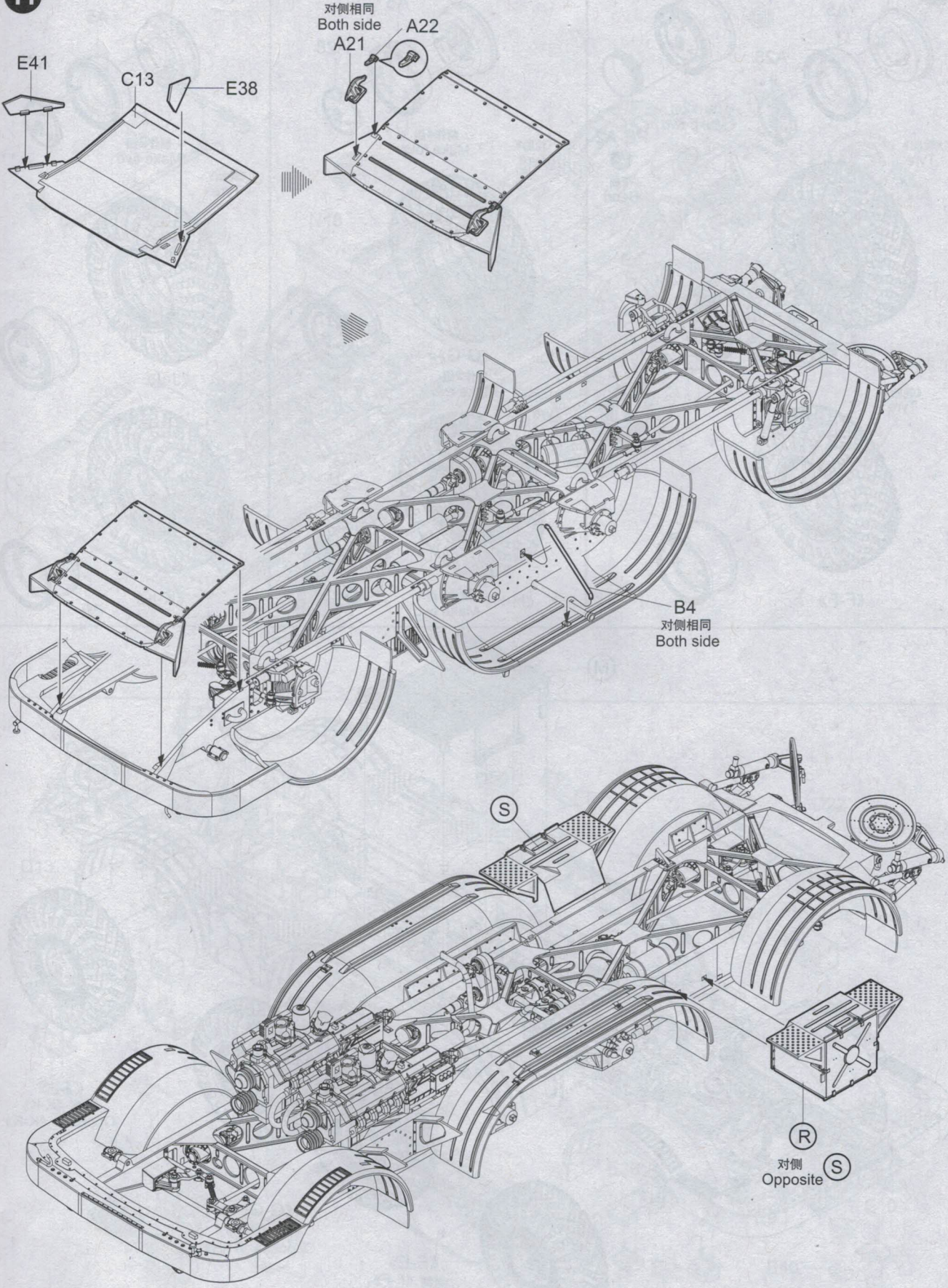
10

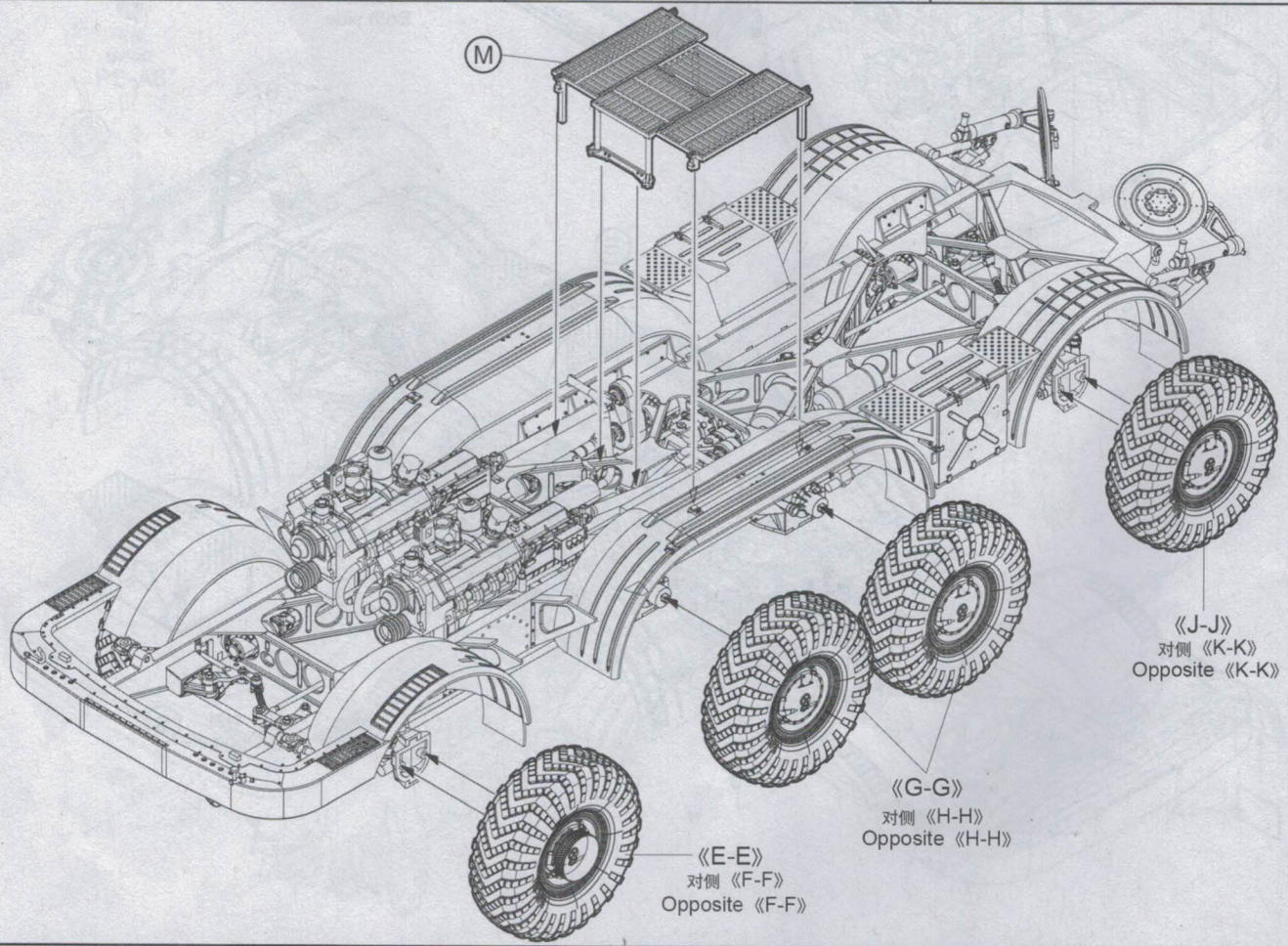
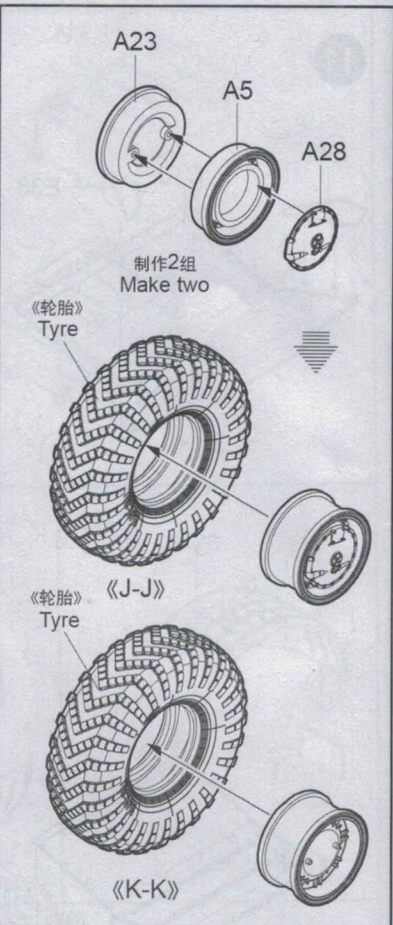
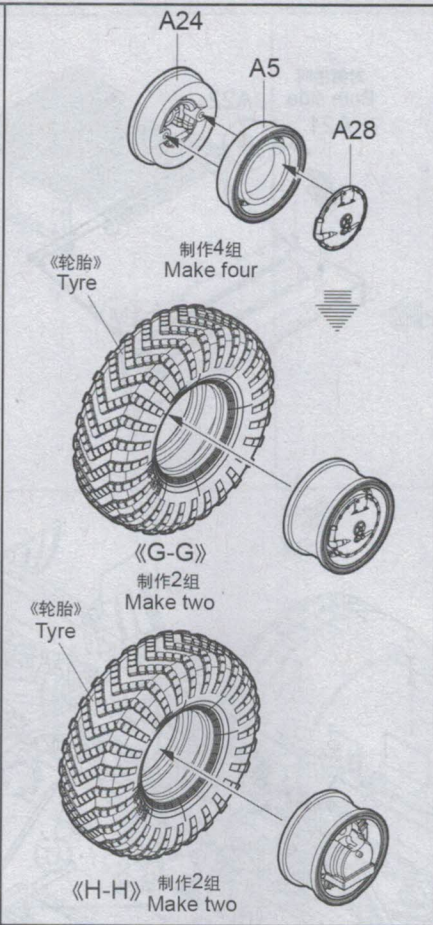
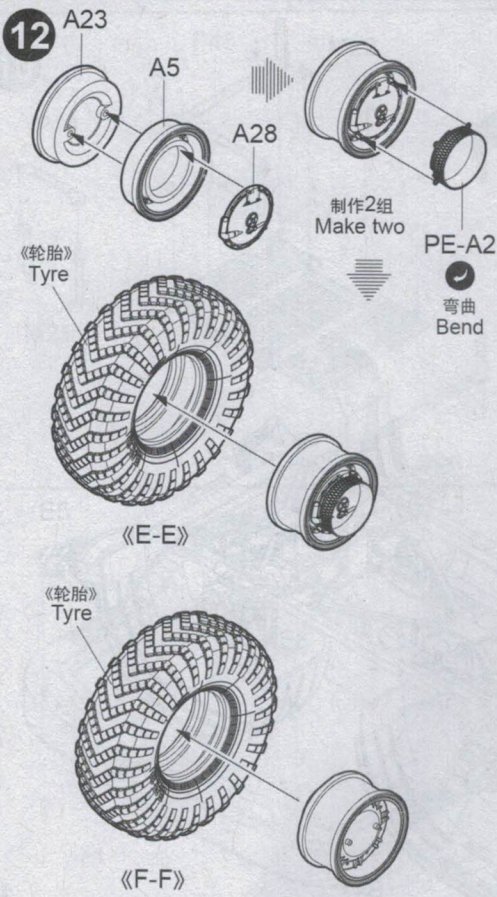


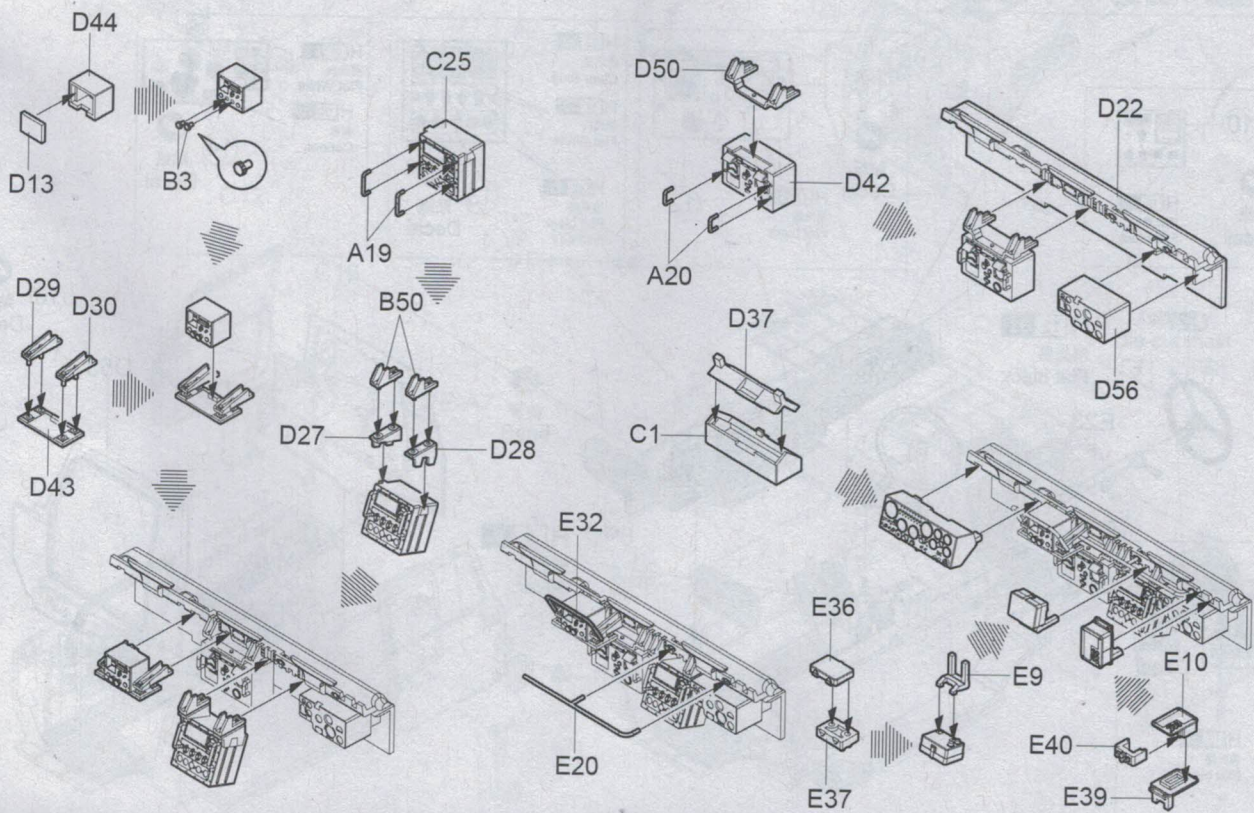
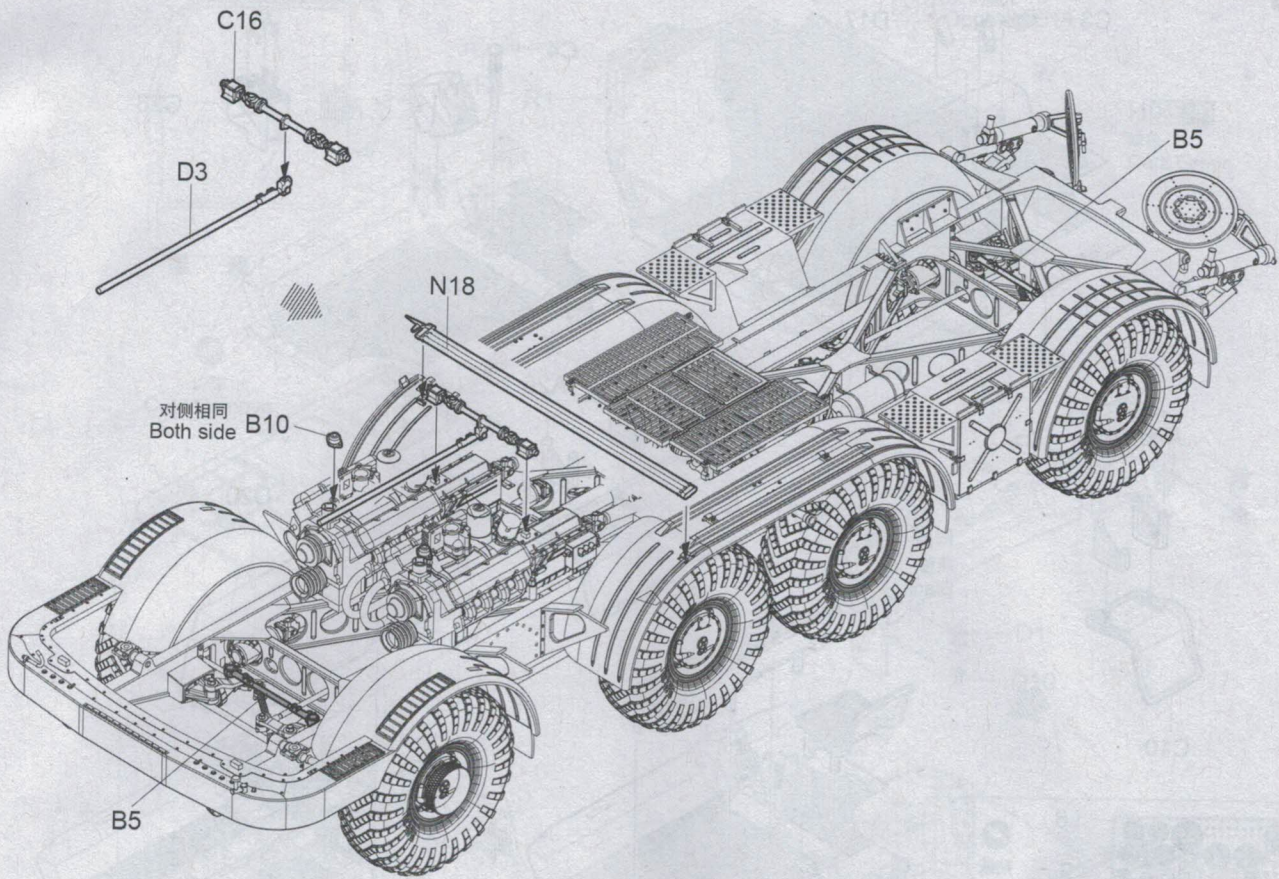
弯曲
Bend
PE-A8

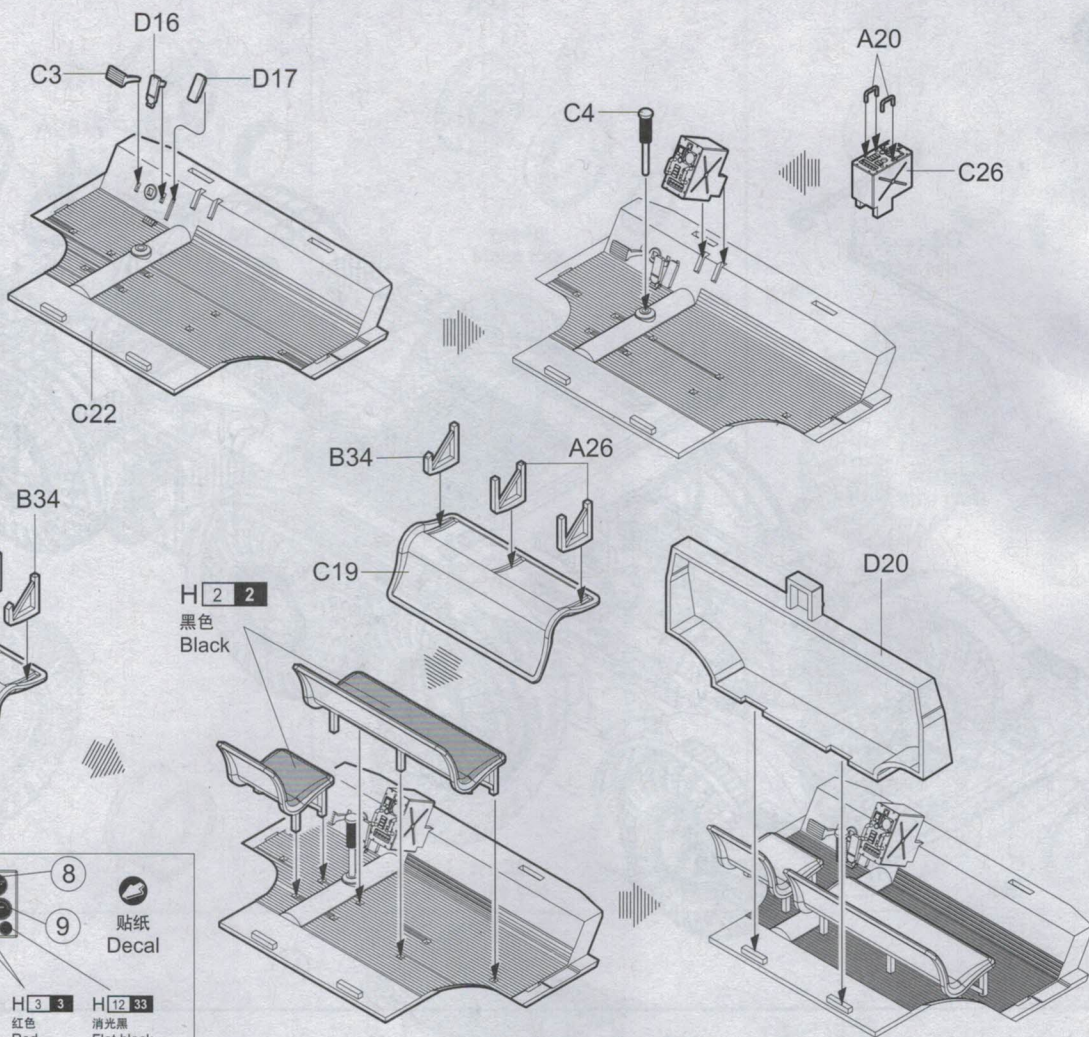


11









8 贴纸 Decal

9 贴纸 Decal

7 H 10 10 铜色 Copper

H 93 50 透明蓝 Clear Blue

H 3 3 红色 Red

H 12 33 消光黑 Flat black

10 贴纸 Decal

H 12 33 消光黑 Flat black

11 贴纸 Decal

H 12 33 消光黑 Flat black

H 93 50 透明蓝 Clear Blue

H 11 62 消光白 Flat White

H 12 33 消光黑 Flat black

13 贴纸 Decal

H 11 62 消光白 Flat White

H 10 10 铜色 Copper

14 贴纸 Decal

C27

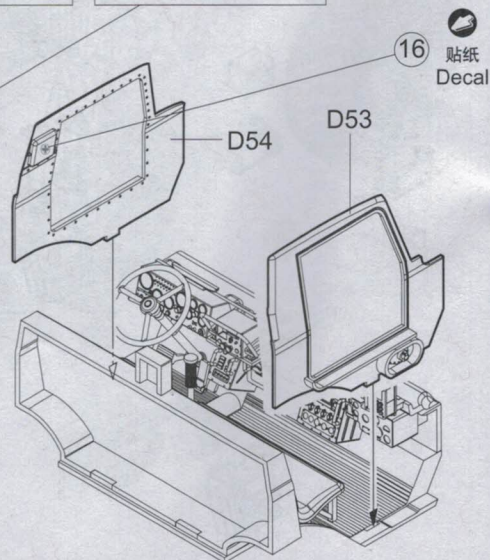
H 12 33 消光黑 Flat black

E23

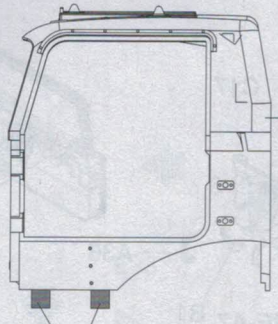
15 贴纸 Decal

H 12 33 消光黑 Flat black

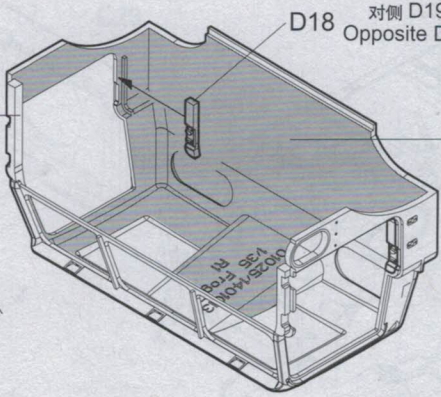
H 8 8 银色 Silver



15

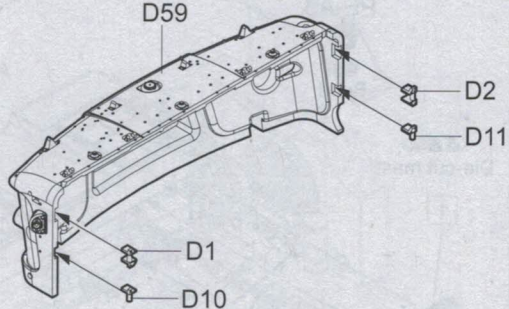
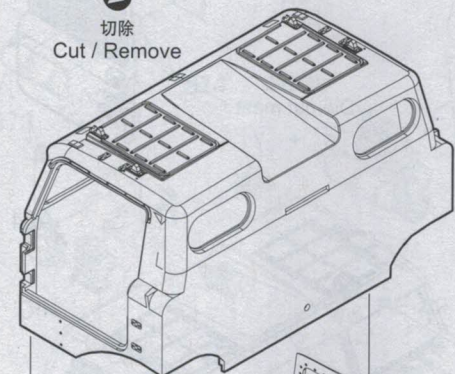


切除
Cut / Remove



D18 对侧 D19
Opposite D19

H 303303
绿色
Dark Green



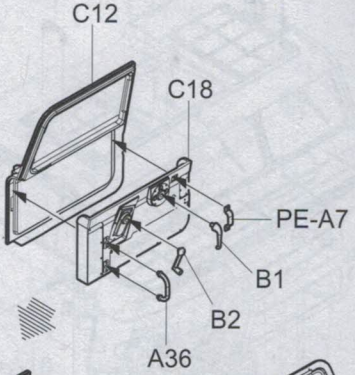
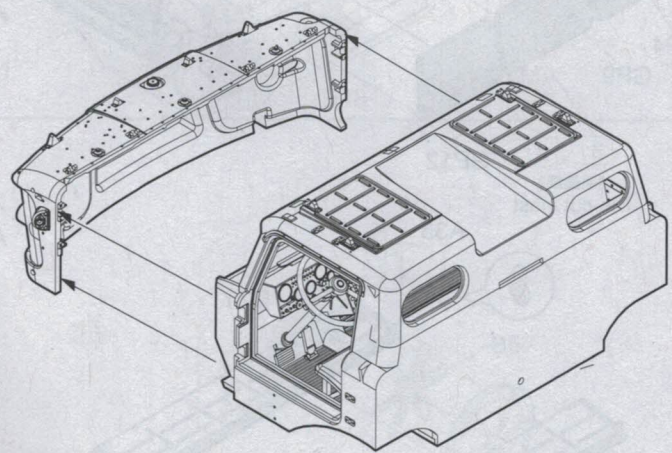
D59

D1

D10

D2

D11



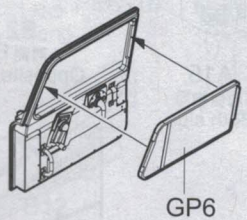
《遮盖纸》
Die-cut mast

4

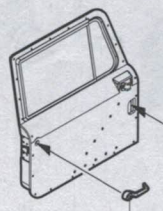
弯曲
Bend

《遮盖纸》
Die-cut mast

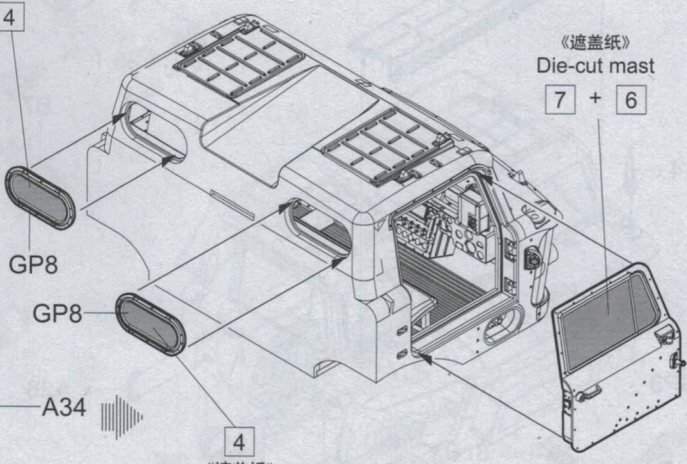
7 + 6



GP6



B56



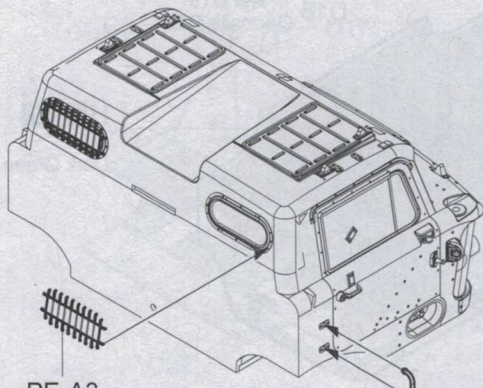
GP8

GP8

A34

《遮盖纸》
Die-cut mast

4

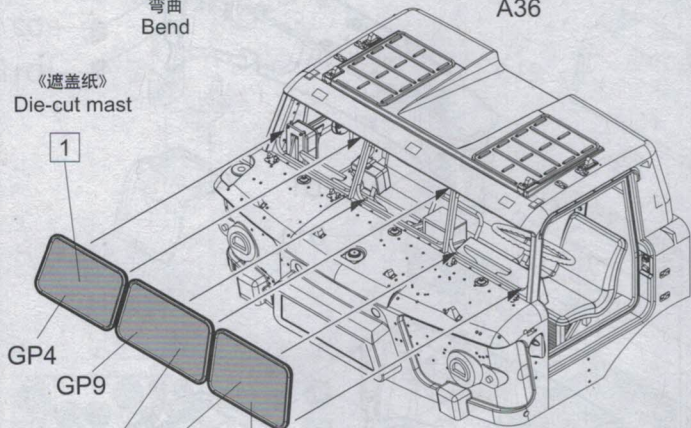


PE-A3
弯曲
Bend

A36

《遮盖纸》
Die-cut mast

1



GP4

GP9

GP12

《遮盖纸》
Die-cut mast

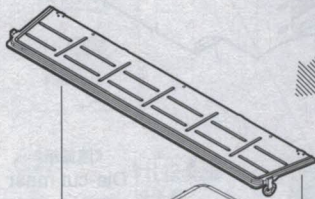
3

2

A35



D21



A35



D14

GP3

E4

E7

GP3

GP10

D15

B7

B7

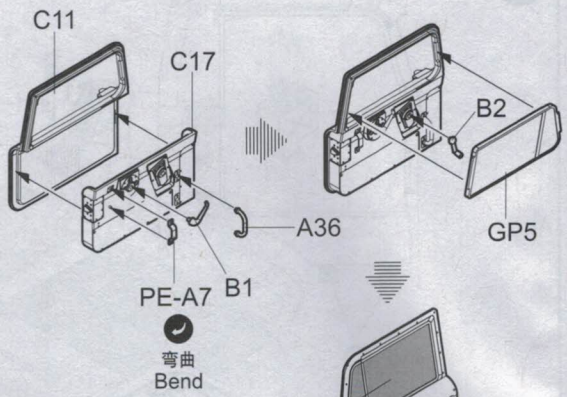
A36

A15
对侧相同
Both side

E2
对侧 E1
Opposite E1

《L-L》

A15



C11

C17

PE-A7

B1

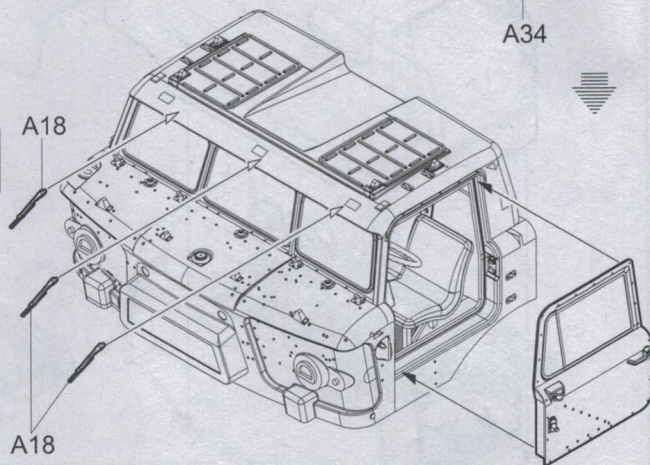
弯曲
Bend

GP5

B56

《遮盖纸》
Die-cut mast
5 + 7

A34



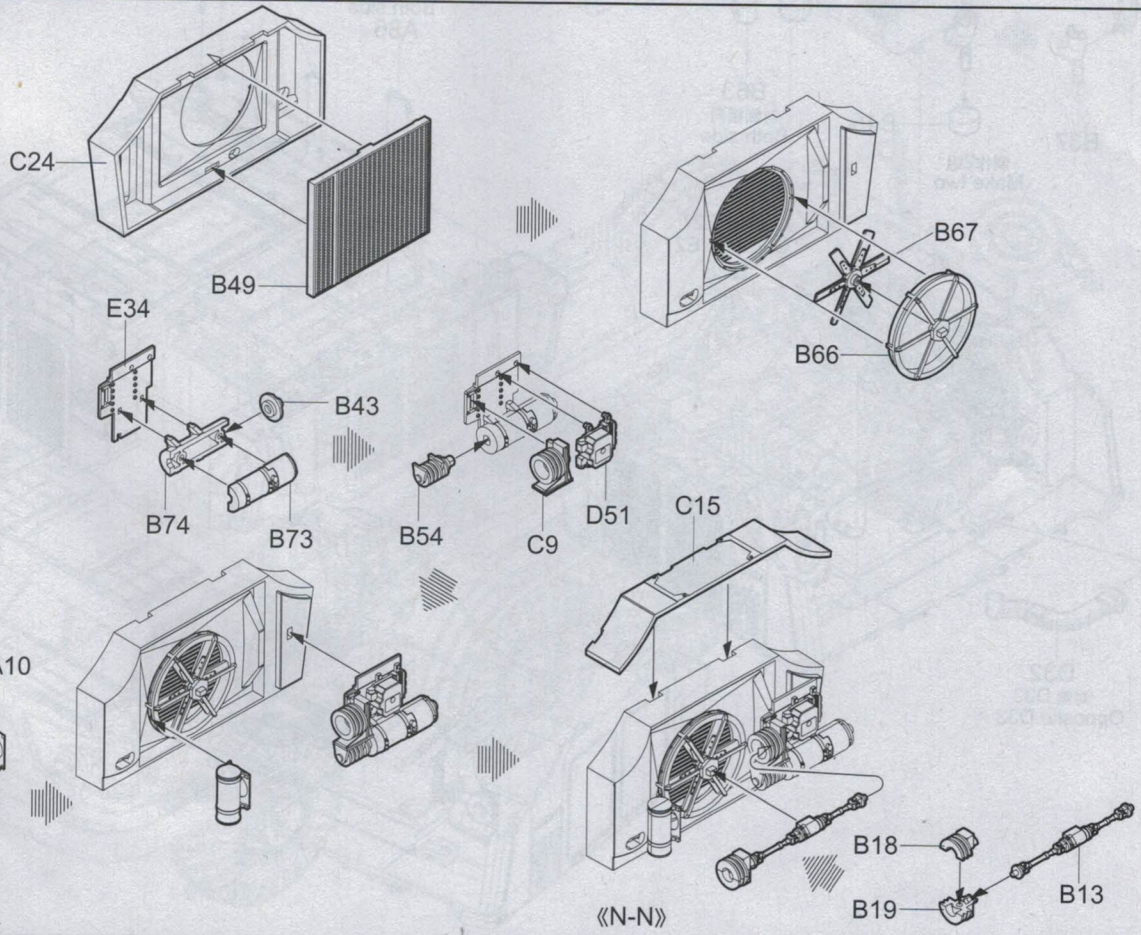
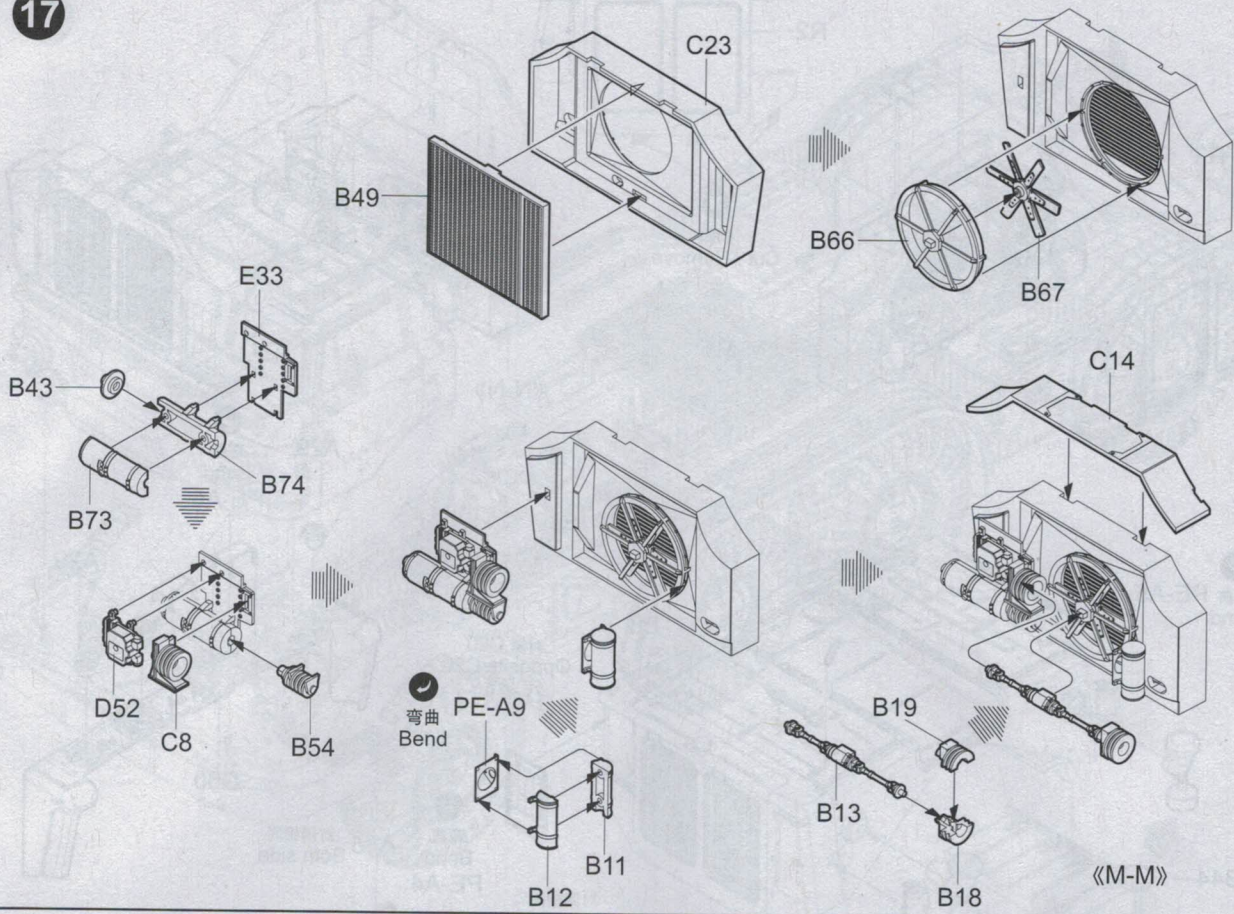
A18

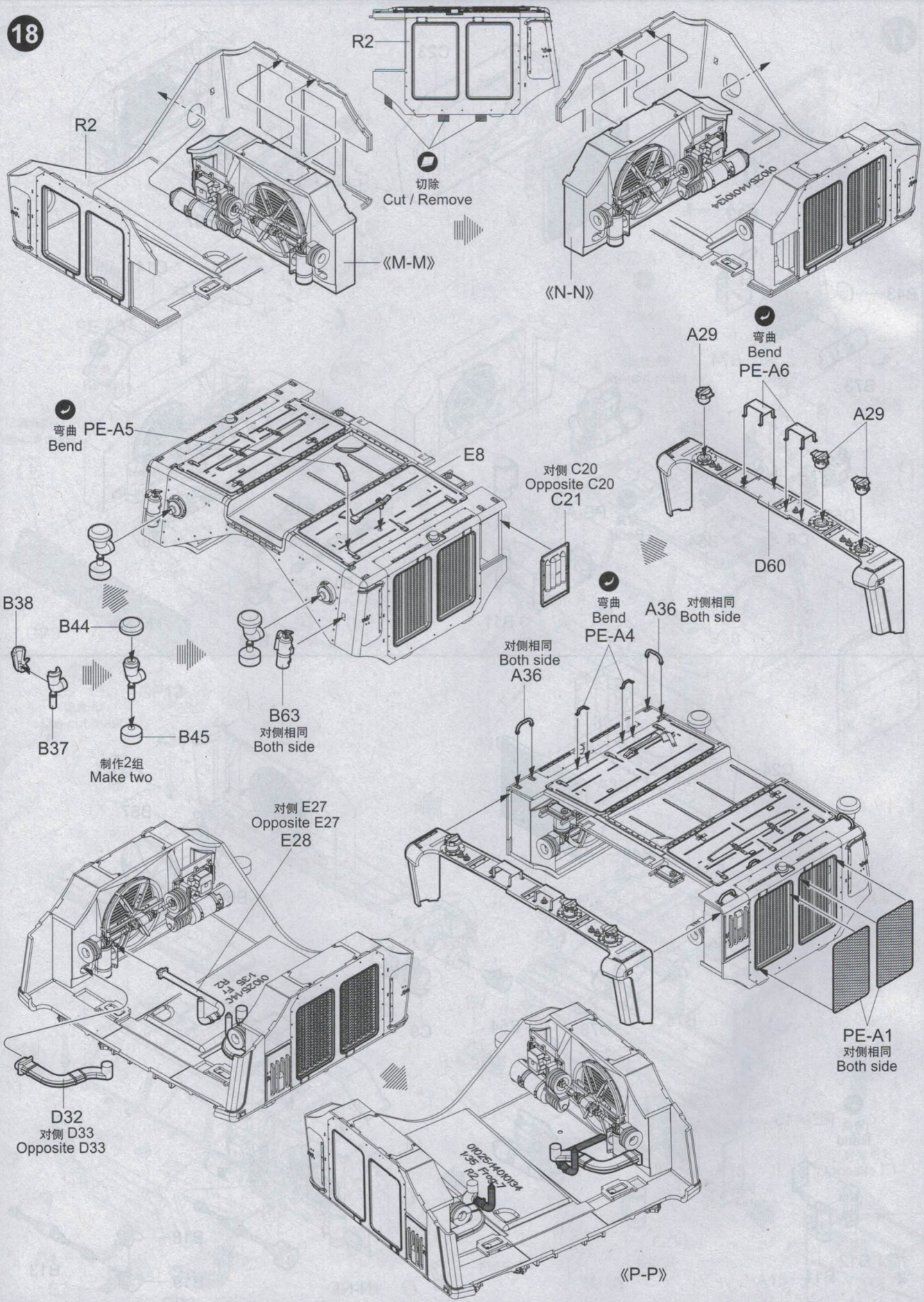
A18

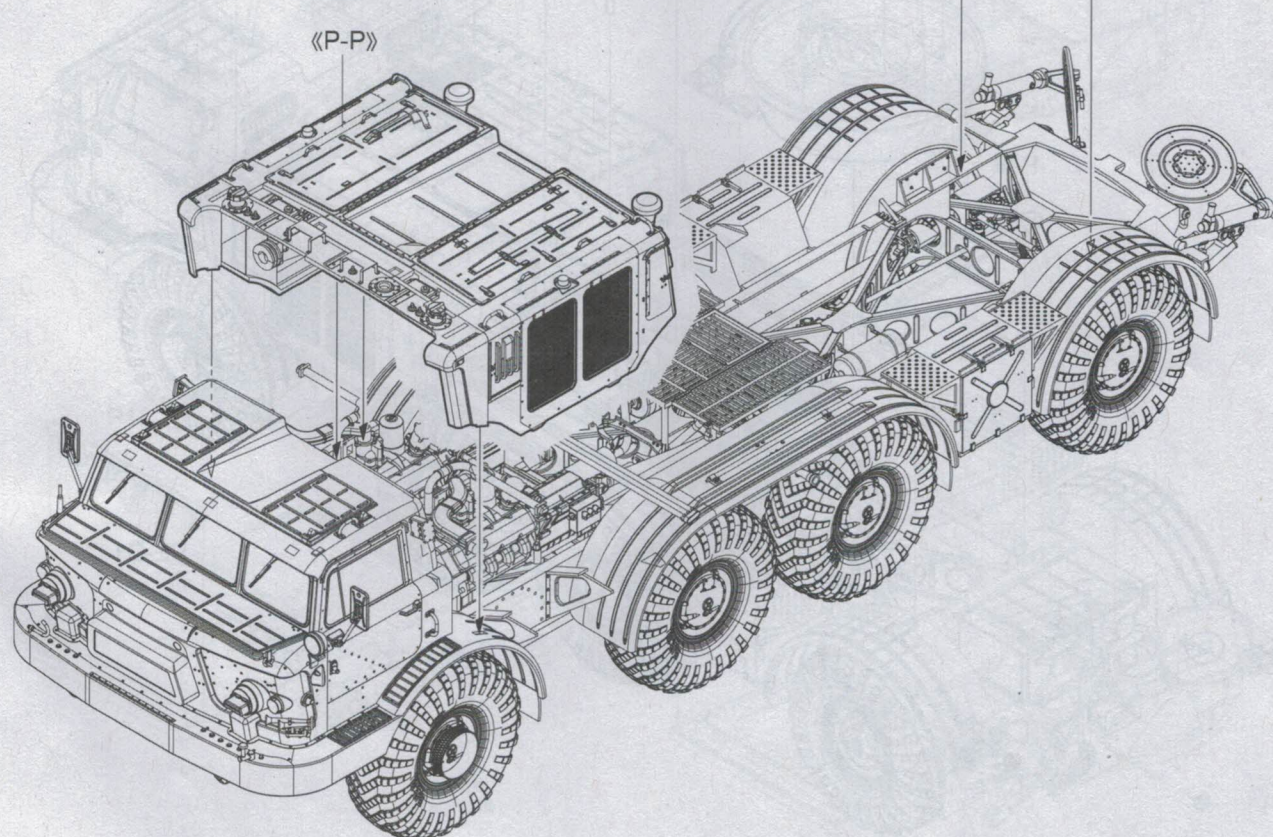
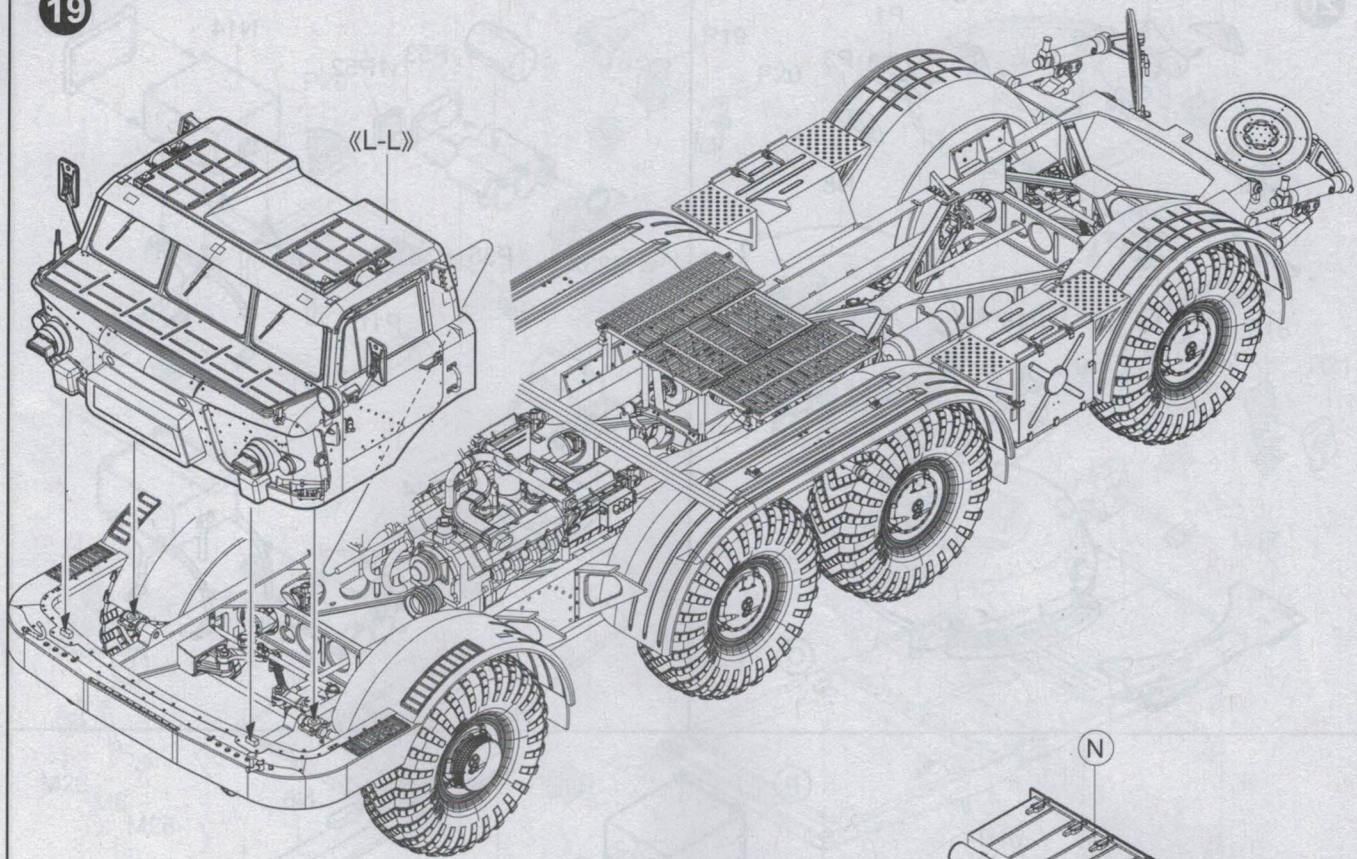
A36

A36

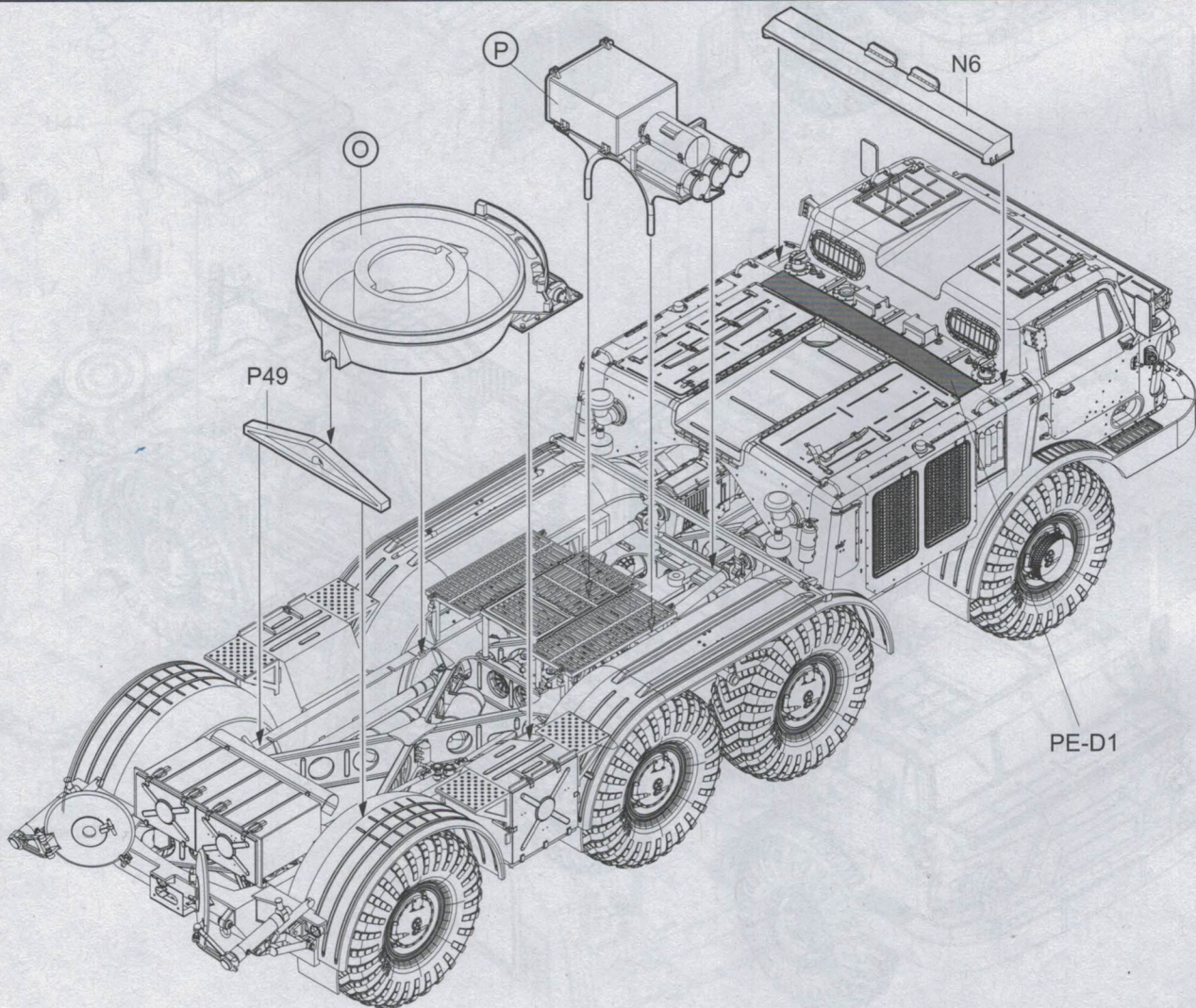
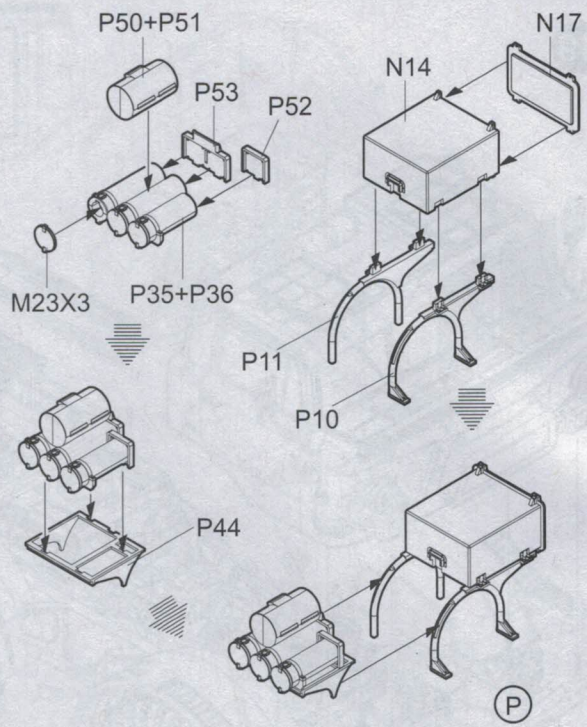
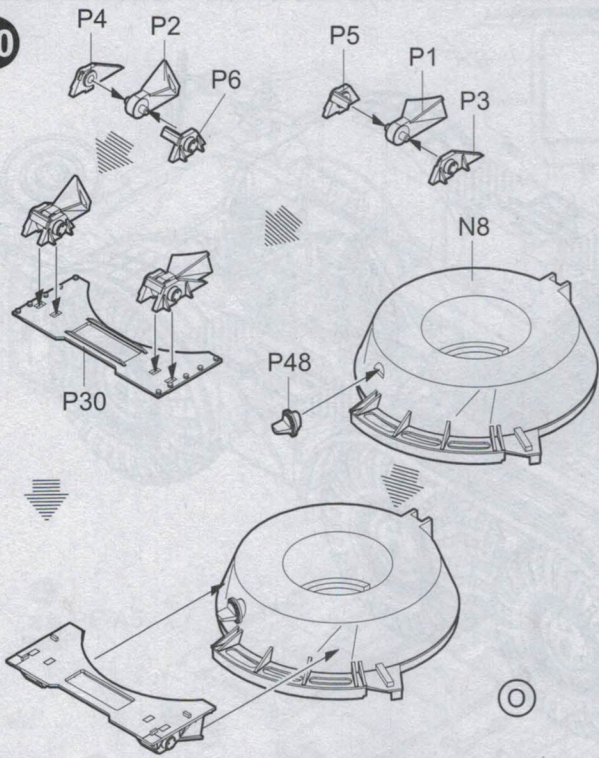
对侧相同
Both side
M30

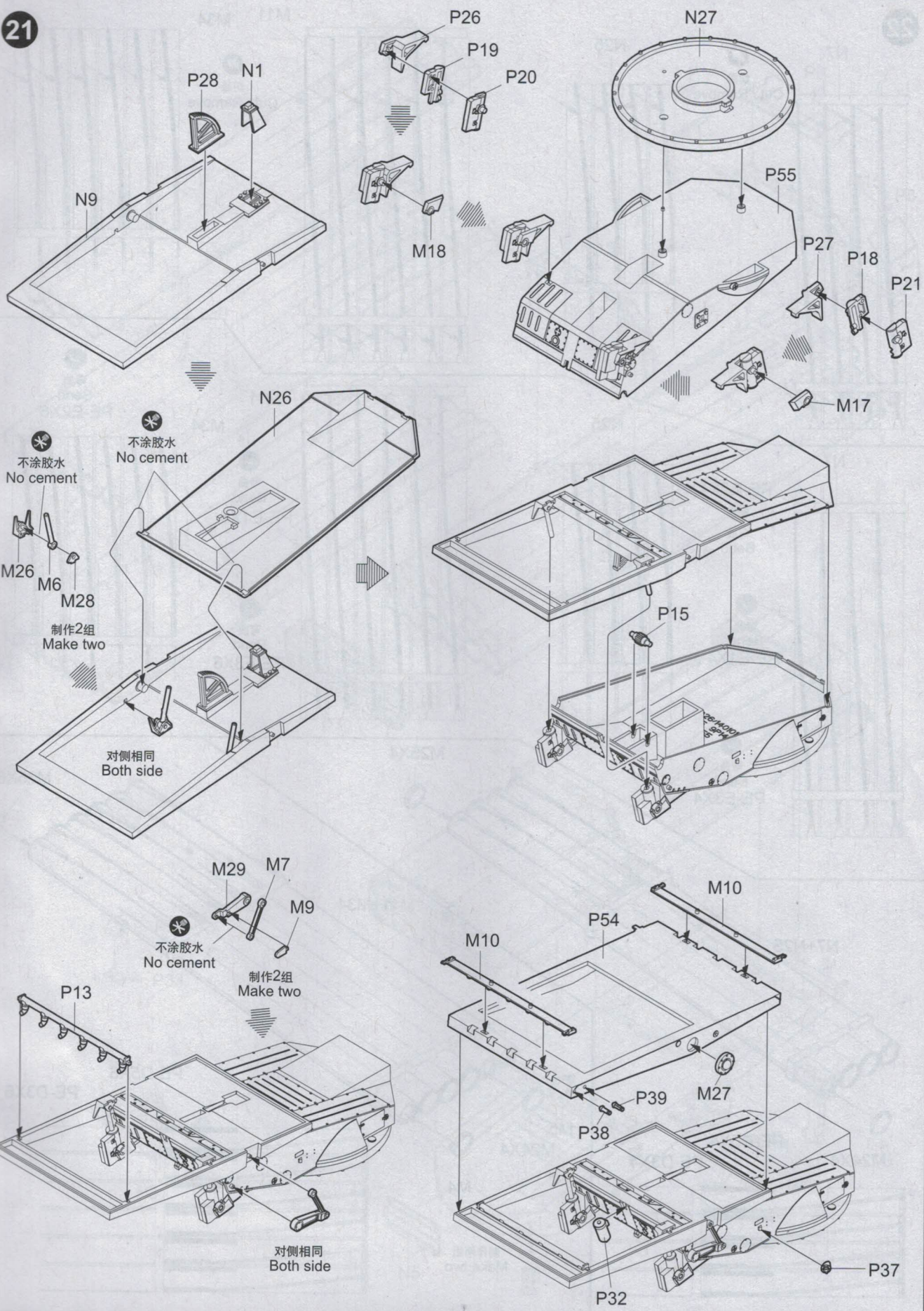






20

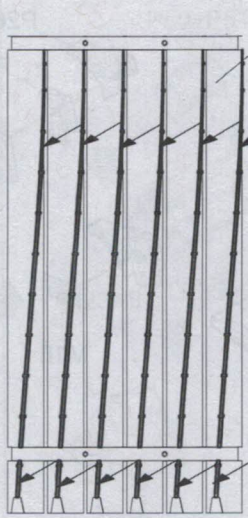




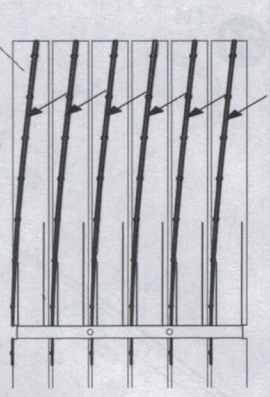
22



切除
Cut / Remove



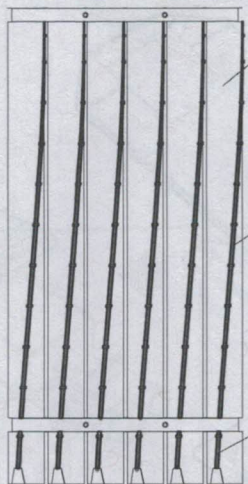
切除
Cut / Remove



PE-E2X4
弯曲
Bend

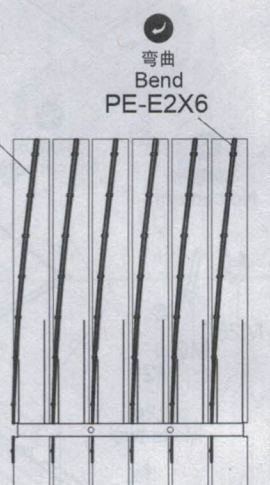
弯曲
Bend
PE-E1X4

弯曲
Bend
PE-E3X4

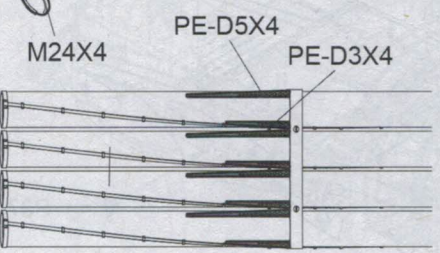
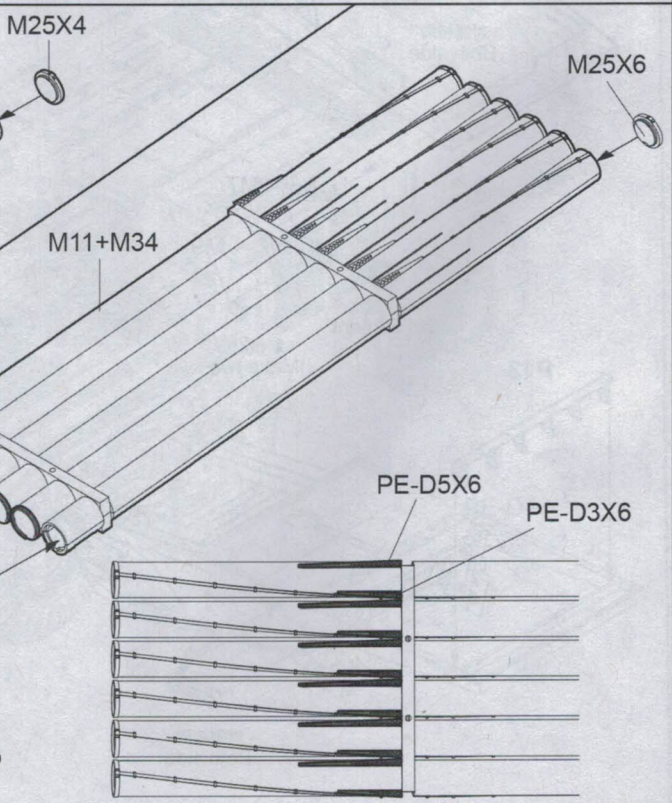
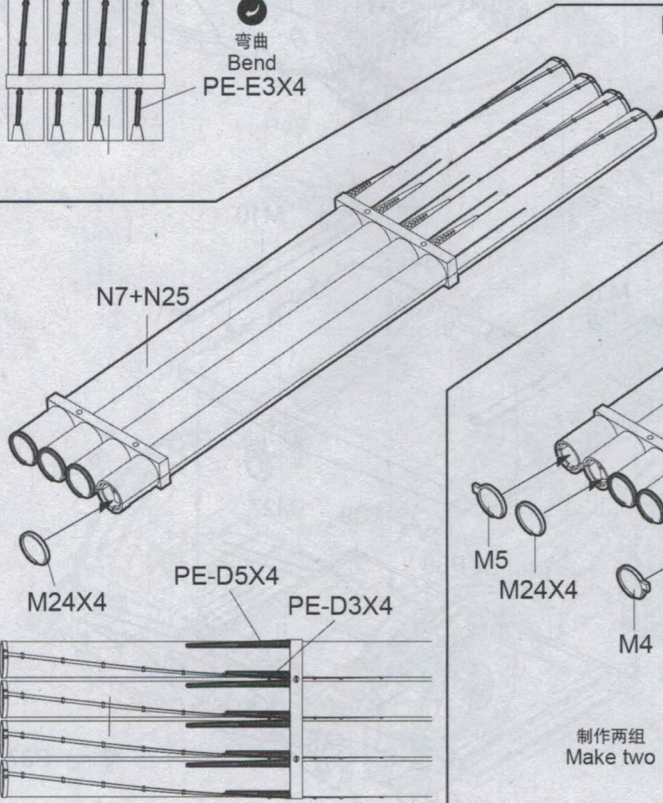


弯曲
Bend
PE-E1X6

弯曲
Bend
PE-E3X6



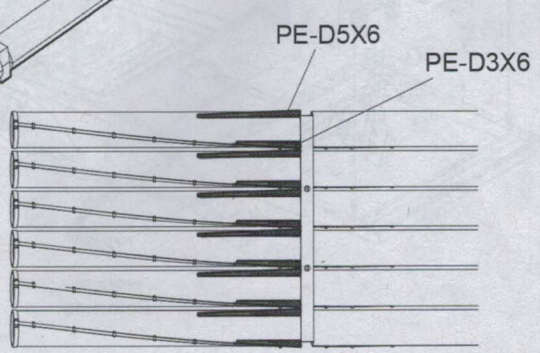
弯曲
Bend
PE-E2X6

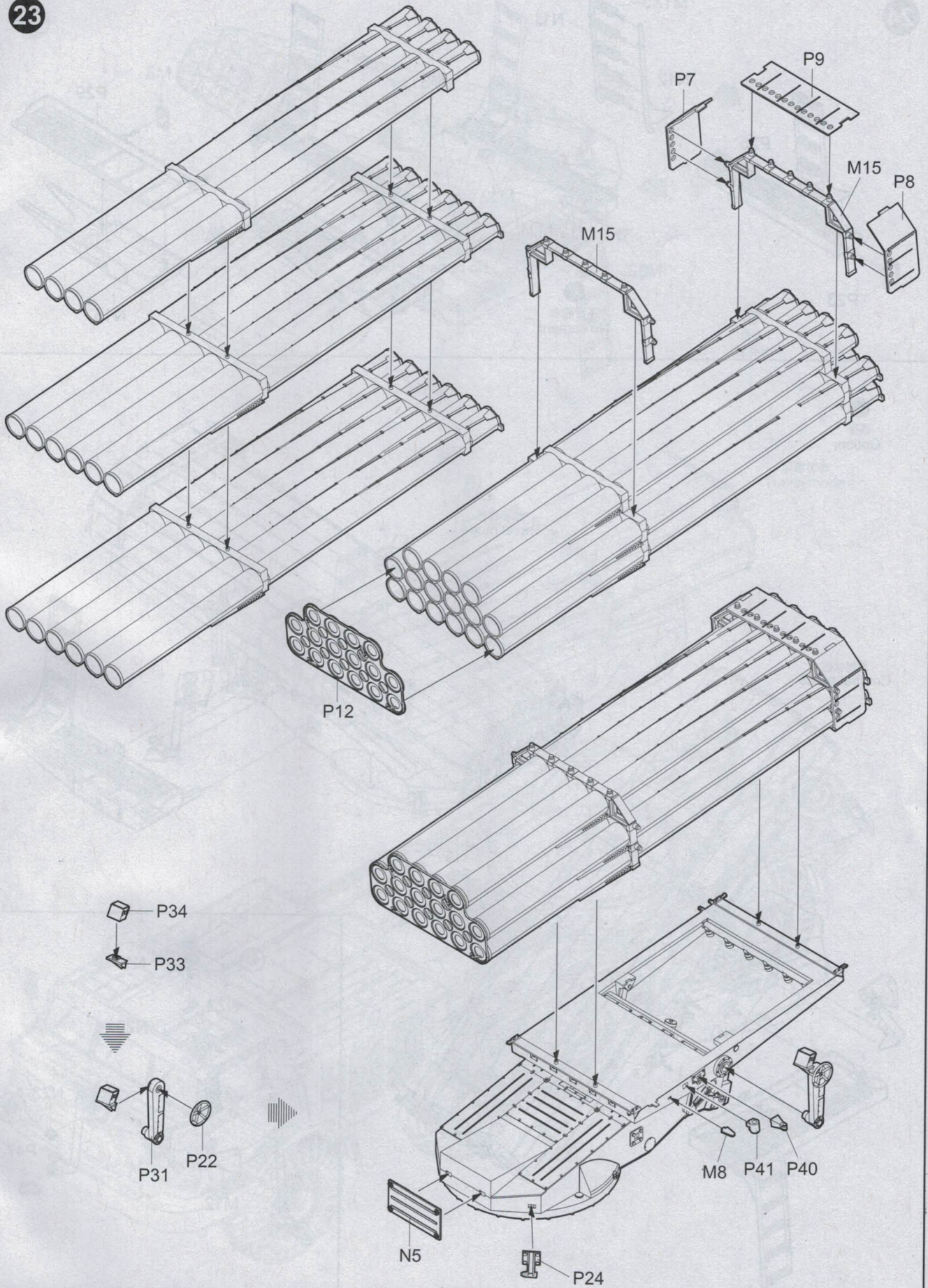


M5
M24X4

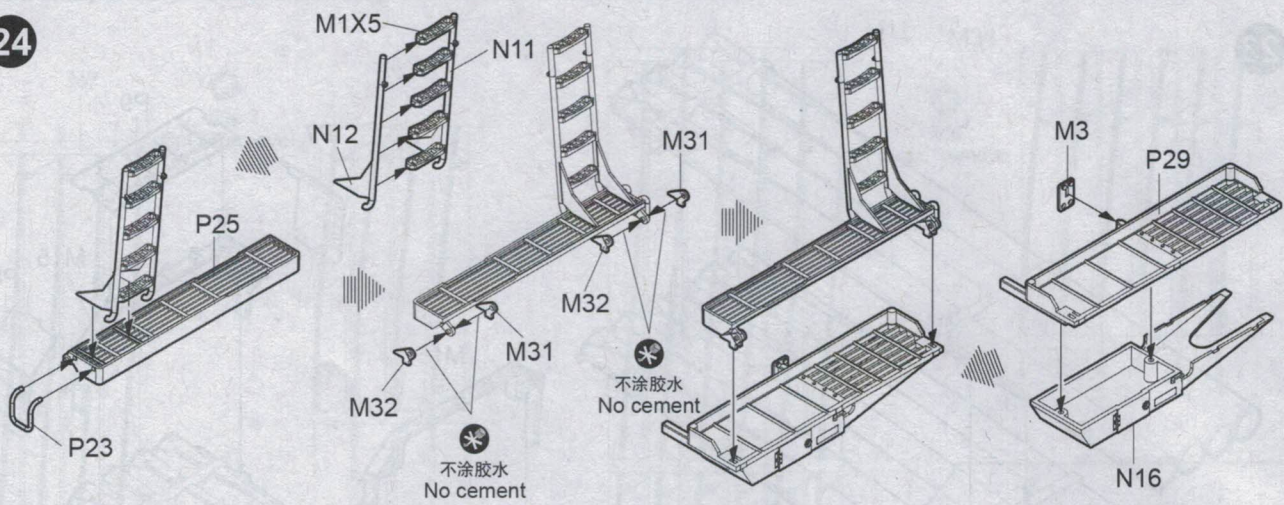
M4

制作两组
Make two





24

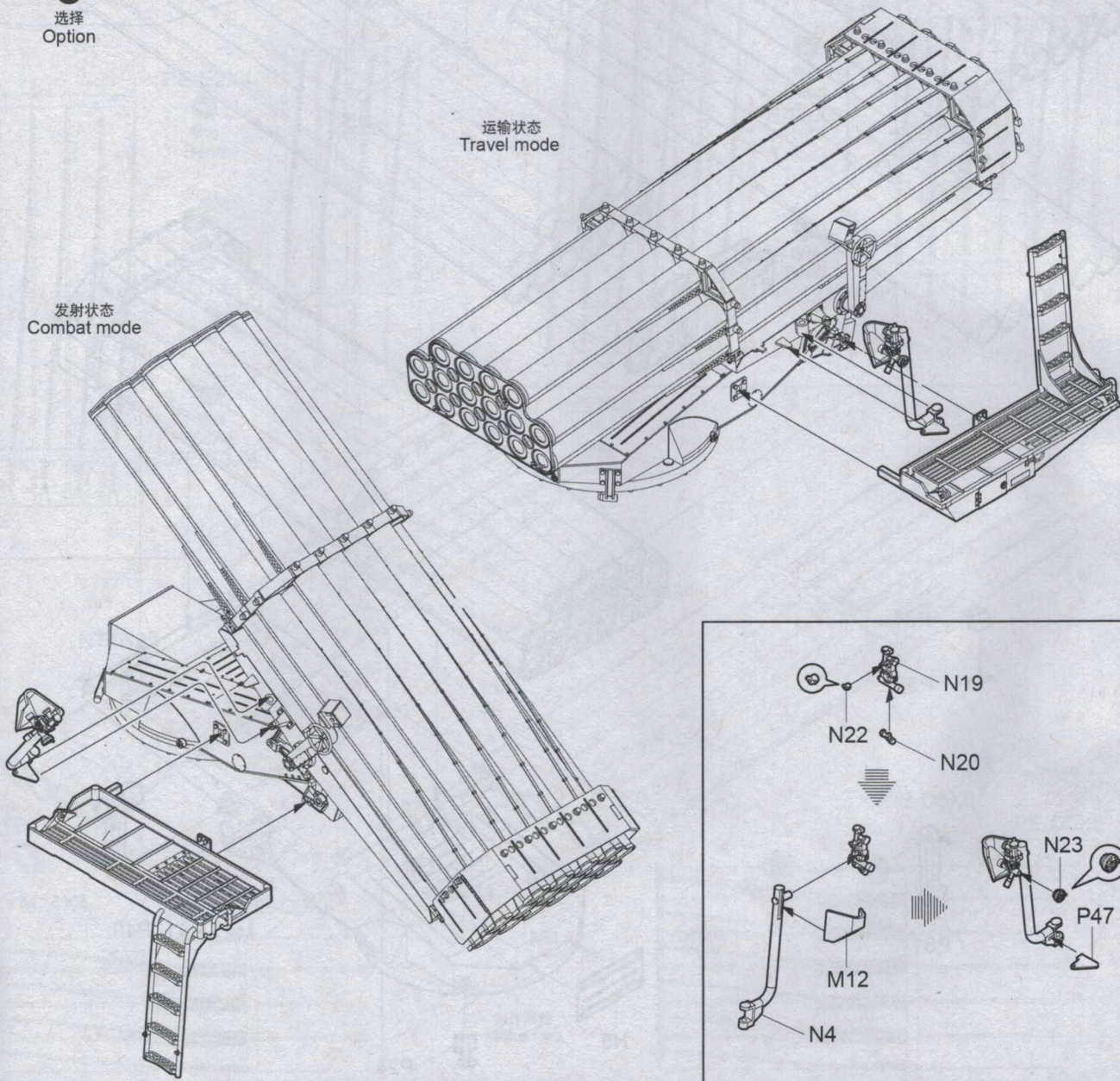


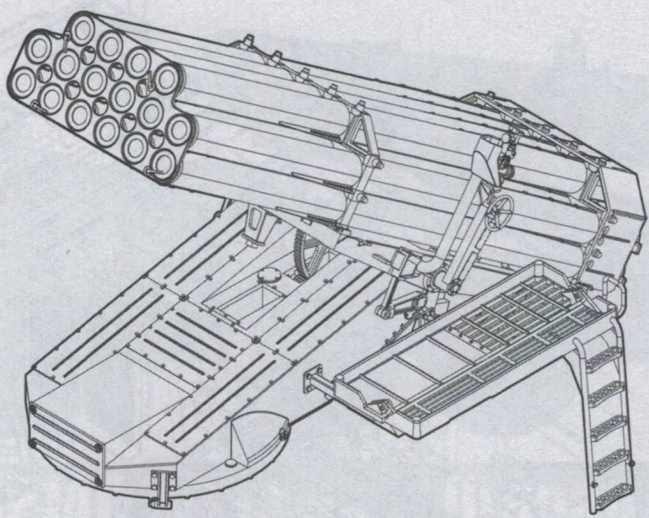
?

选择 Option

运输状态 Travel mode

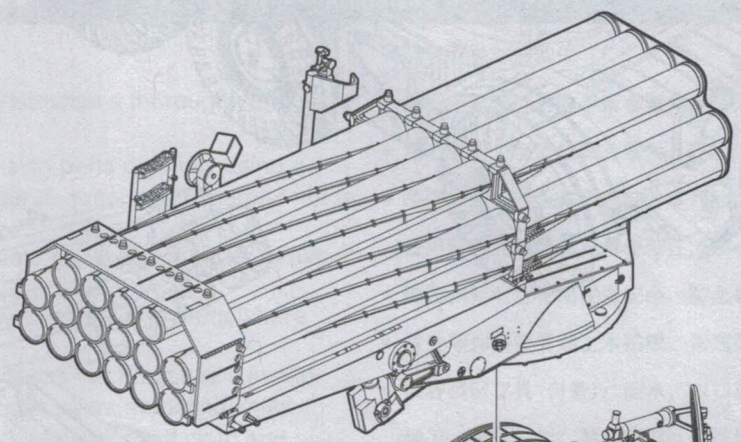
发射状态 Combat mode



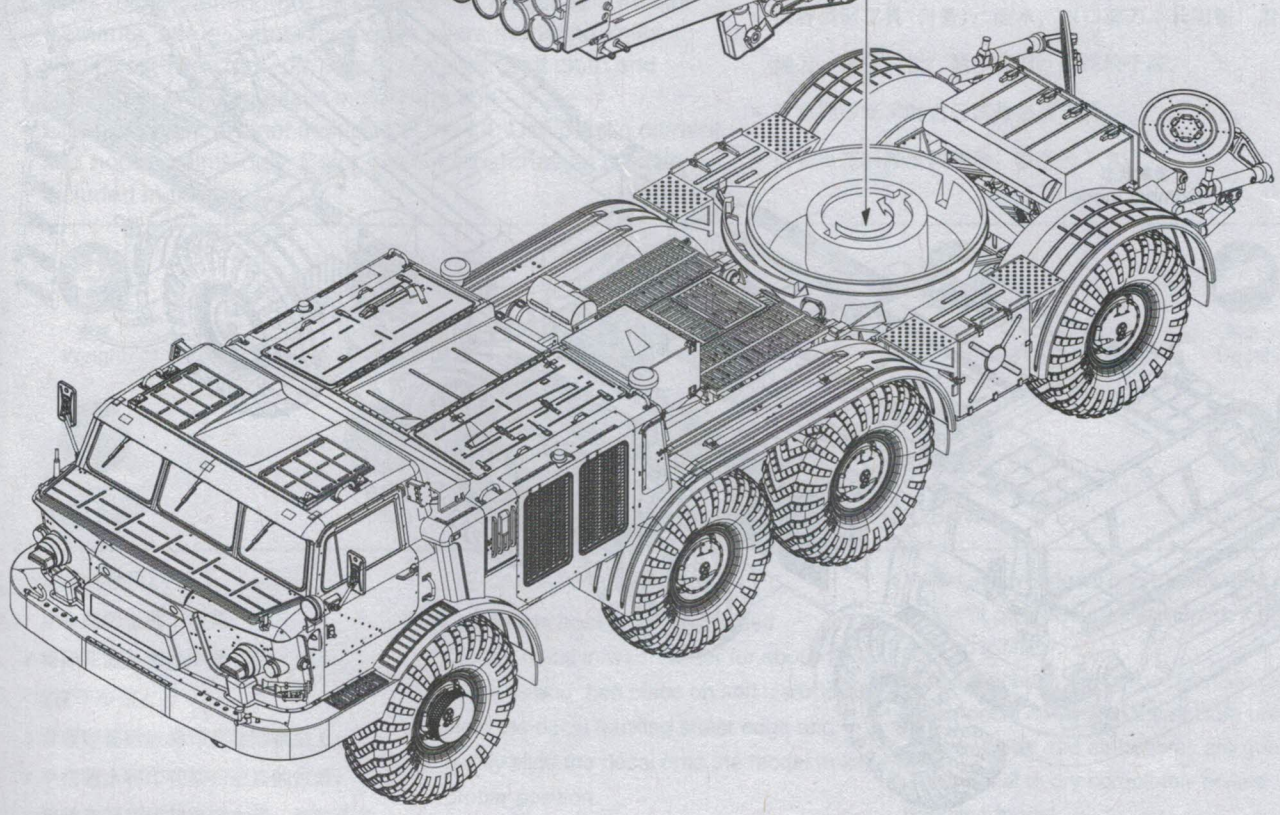


发射状态
Combat mode

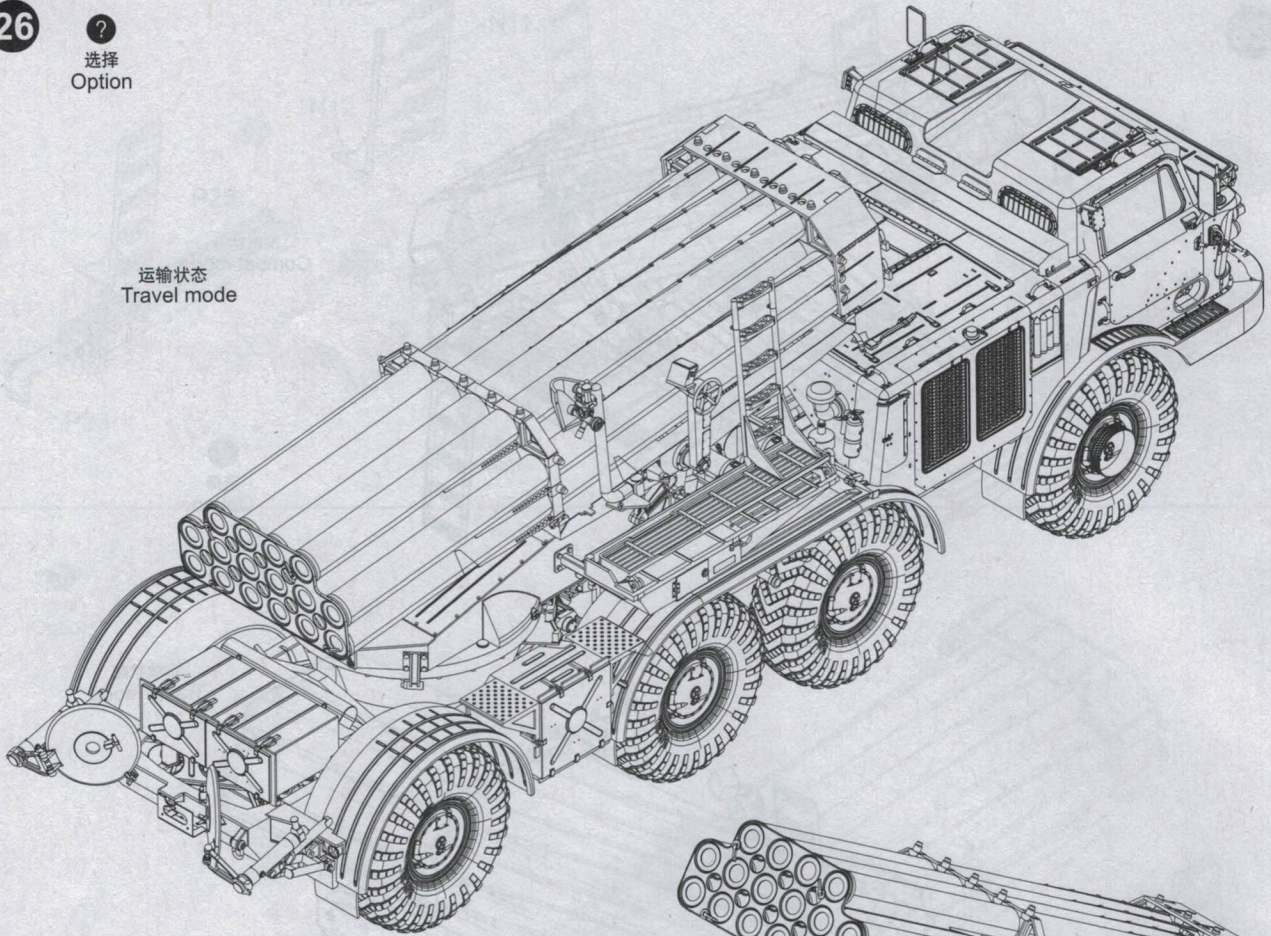
②
选择
Option



运输状态
Travel mode



运输状态
Travel mode



发射状态
Combat mode

