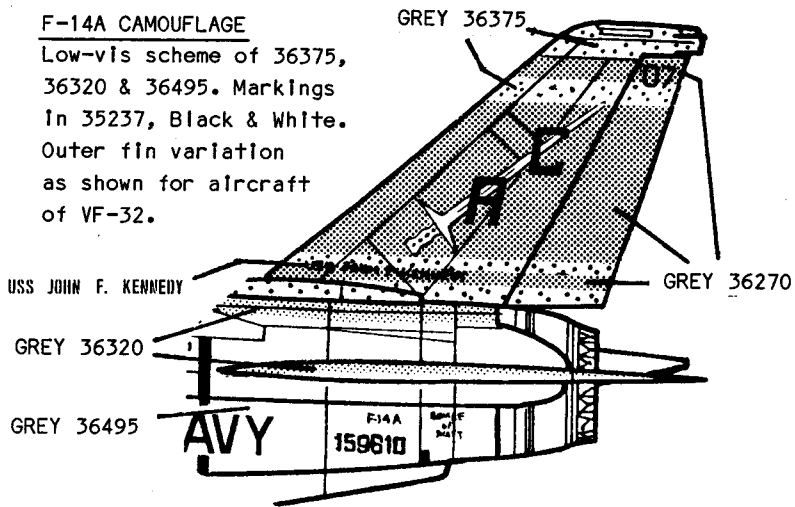


F-14A Bu. No. 159610 of VF-32 'Swordsmen'
 Operating from the USS John F Kennedy on 4th
 January 1989 in the Gulf of Sidra area off
 Lybia, #207 was Gypsy flight leader when
 attacked by two Mig 23 Flogger aircraft
 from the mainland. The flight promptly
 shot down both attackers after a brief
 dogfight. No special kill markings were
 applied after the event. It is also notable
 that #207 was one of four machines to which
 these crew names were applied at that time.
 The unusual style of the '7' on the nose
 designator is noteworthy.

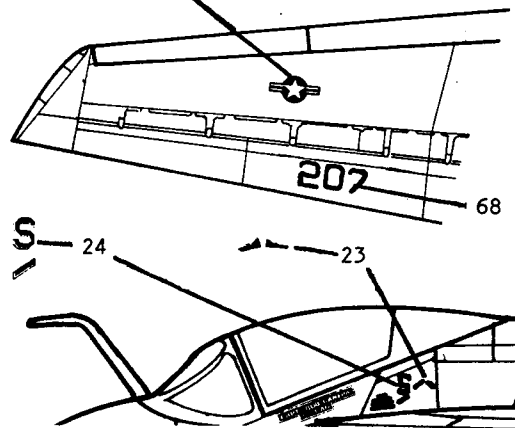
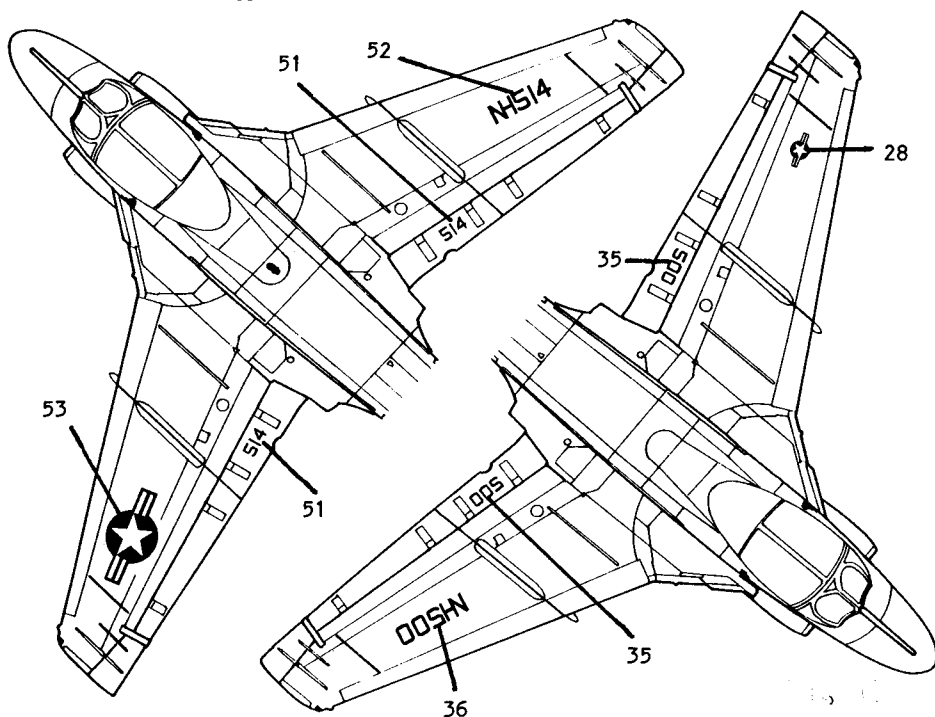
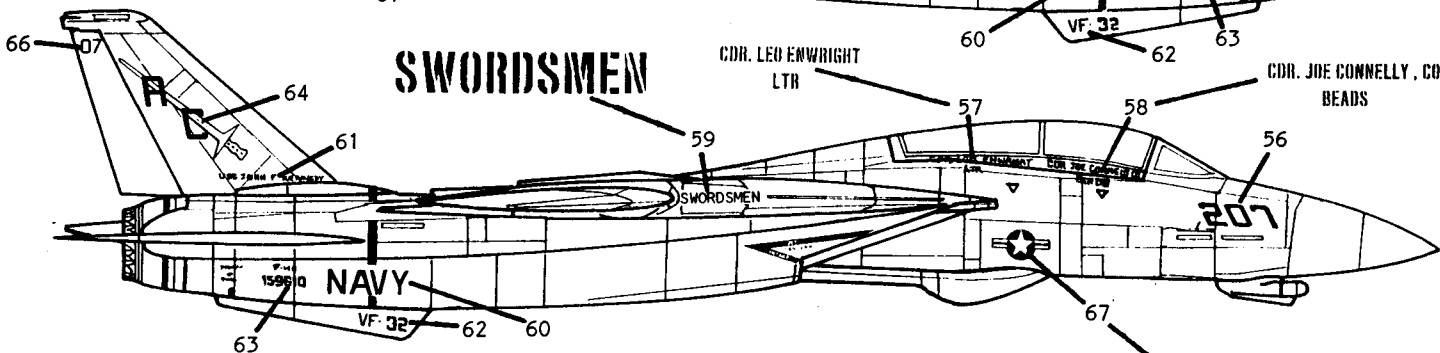
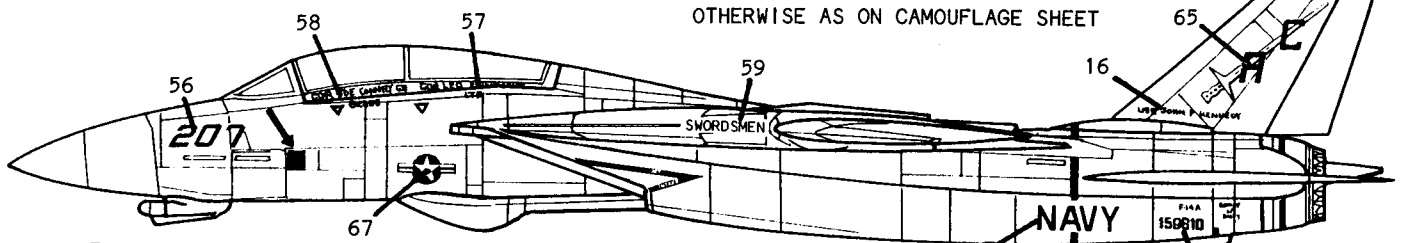
56 A/C No.; 57 Crew name; 58 Crew name;
 59 Unit name; 60 Navy marking; 61 Carrier
 name; 62 Unit No.; 63 Bu No.; 64 Fin flash
 (stbd); 65 Fin flash (port); 66 Rudder No.;
 67 Fuselage & Wing stars; 68 Flap No.

F-14A CAMOUFLAGE

Low-vis scheme of 36375,
 36320 & 36495. Markings
 in 35237, Black & White.
 Outer fin variation
 as shown for aircraft
 of VF-32.



FIN VARIATION (OUTSIDE ONLY)
 ON A/C#207
 OTHERWISE AS ON CAMOUFLAGE SHEET



SAFETY & KILL MARKINGS
 ON A/C #500
 SAFETY MARKING ONLY ON A/C #514

ALMARK DECALS
 SHEETS S12/A48-18
 E.D. MODELS, 64, STRATFORD RD,
 SHIRLEY, SOLIHULL, BIRMINGHAM,
 B90 3LP. Tel: 021-744-7488.

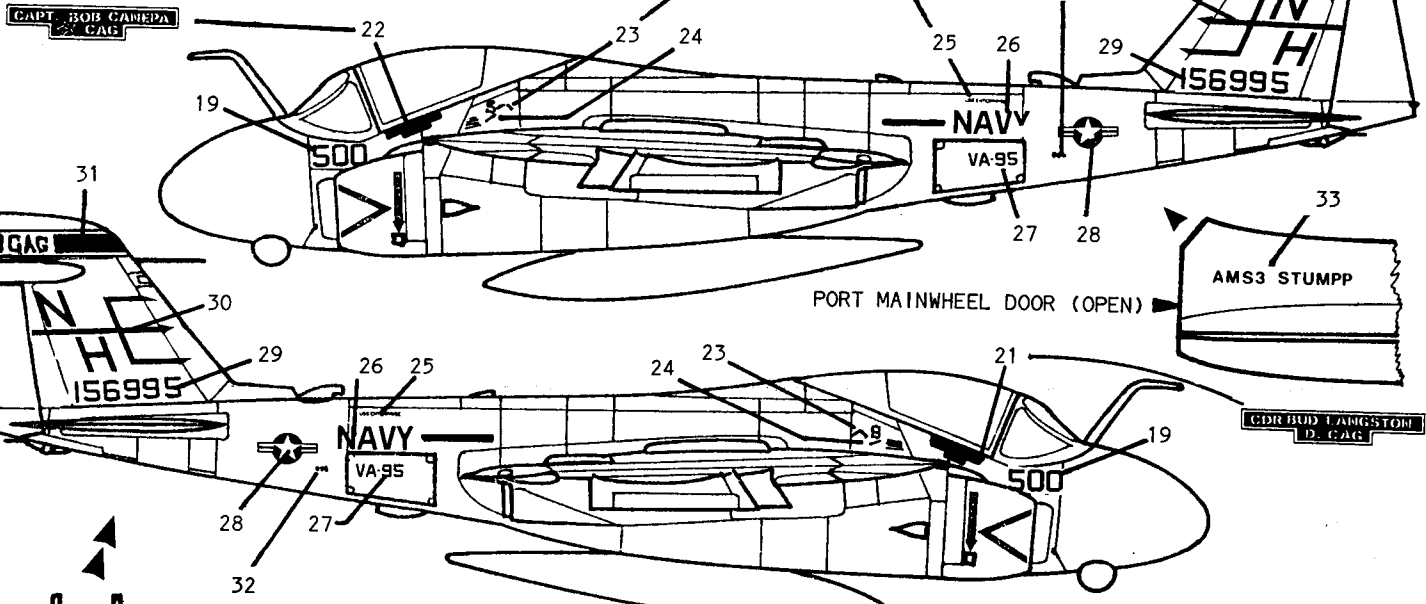
WITH THANKS TO ROGERS PACIFIC FOR INFORMATION ON VA-95
 AND IPMS FOR INFORMATION ON VF-32

A-6E Bu. No. 156995 of VA-95

Aircraft of the Carrier Air Group Commander of CVW-11, "Bullet" Bob Canepa, assigned to the Green Lizards, VA-95. On 18th April 1988, in retaliation for the mining of the USS Samuel B. Roberts, the A-6E's of VA-95 were operating with Harpoon, Skipper II, Rockeye and LGB weapons. When fired upon by Iranian frigates they sank one Saam Class, damaged a second and wrecked two Boghammer attack craft. #500, with the names of CAG and deputy CAG applied carries a kill marking in the form of a frigate with a broken back.

19 A/C No.; 21 D CAG canopy name; 22 CAG canopy name; 23 Frigate kill; 24 Safety marking; 25 CVN-65 carrier name; 26 Navy marking; 27 Unit No.; 28 US marking; 29 Bu No.; 30 Green Lizard tail flash; 31 Tail stripe; 32 A/C type; 33 Crew name on wheeldoor; 34 Nosedoor designator; 35 Flap designator; 36 Upperwing designator

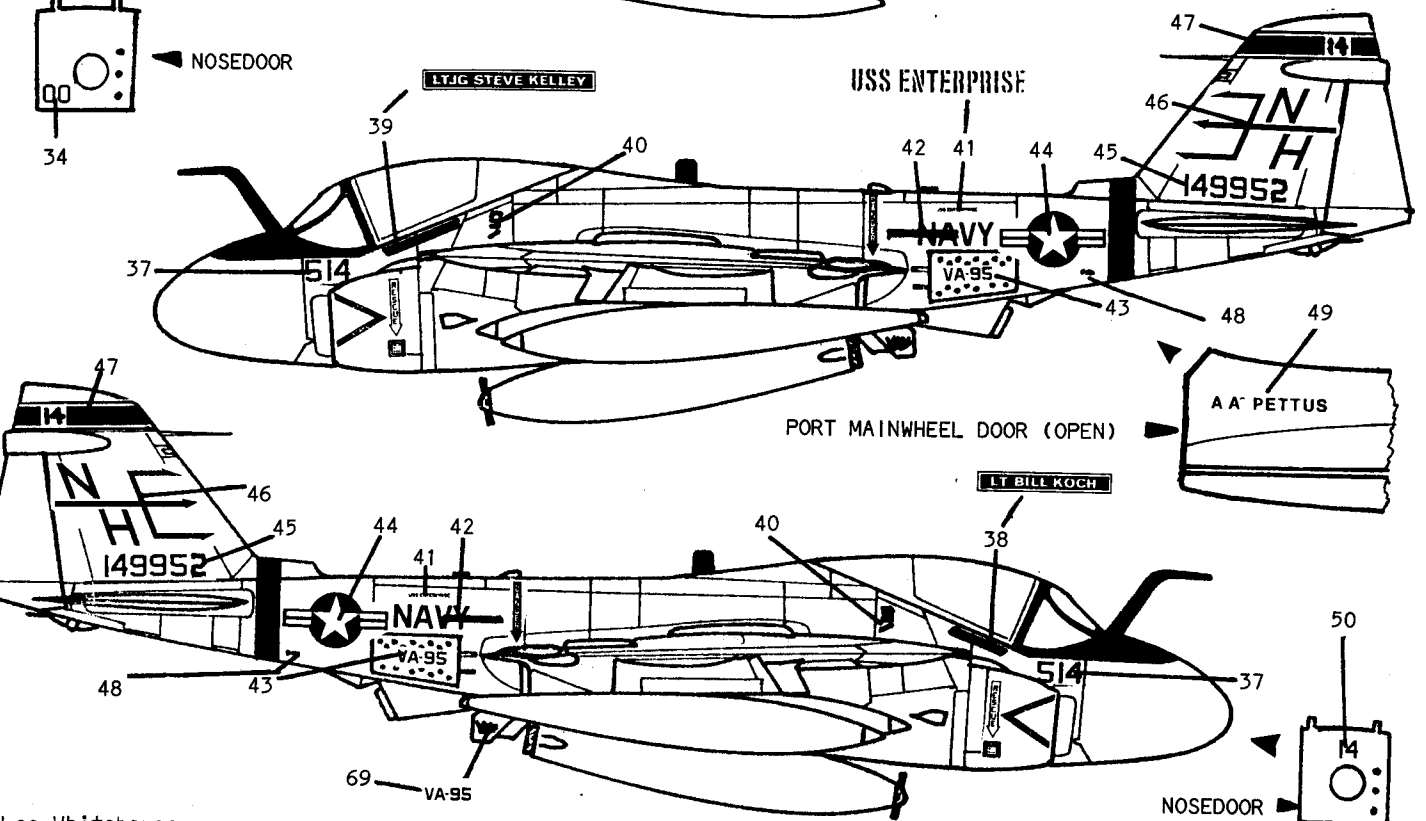
CAPT BOB CANEPA
CAG

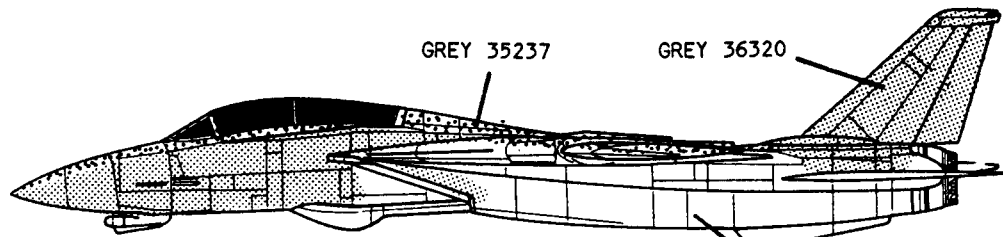
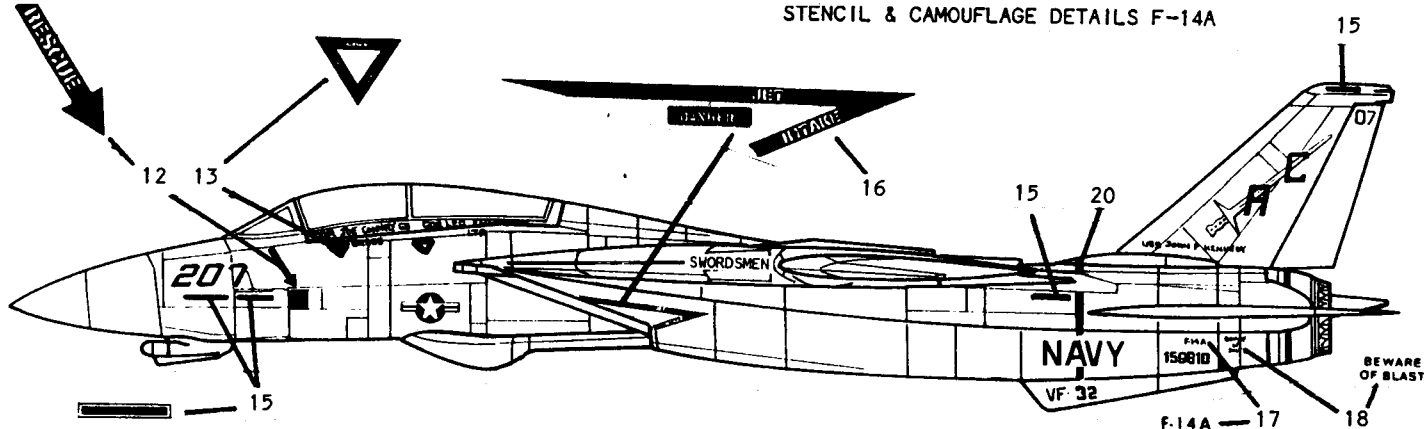


KA-6D Bu. No. 149952 of VA-95

Providing a colourful relief from the 'low vis' of this units A-6E's, #514 is typical of the original scheme which remains on low hour airframes - repainting being related to airframe hours. Four of VA-95's aircraft were tanker versions and at this time VA-95 had earned its safety 'S' award with 9½ years and 45,000 hours of trouble free operations. This machine took part in the Gulf Operations

37 A/C No.; 38 Canopy name; 39 Canopy name; 40 Safety marking; 41 CVN-65 Carrier name; 42 Navy marking; 43 Unit No.; 44 Fuselage Star; 45 Bu No.; 46 Green Lizards tail flash; 47 Tail stripe; 48 A/C type; 49 crew name on wheeldoor; 50 Nosedoor designator; 51 Flap designator; 52 Upperwing designator; 53 Wing star; 54 Rear fuselage stripe; 69 Drop tank fin markings.





F14A OFFICIAL STANDARD SCHEME - MIL-STD 2161(AS)

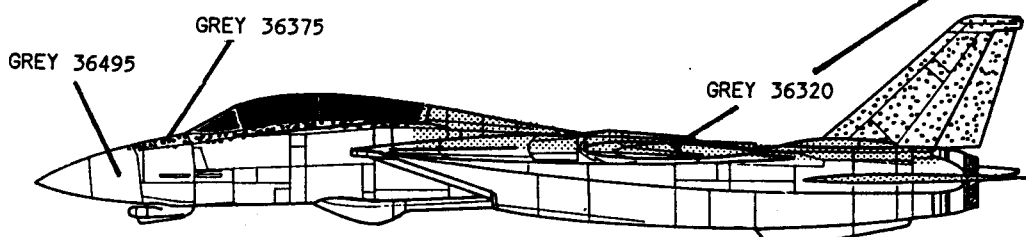
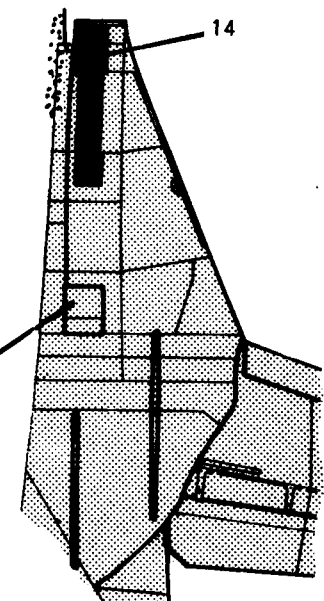
ALL PLAN UPSERS GREY 35237 / ALL PLAN UNDERSURFACES GREY36375

SCHEME INTERPRETATION COMMONLY REPORTED FROM 1985/86

ALL PLAN UNDERSURFACES AND SIDES GREY 36495

UPPER NOSE AND FIN GREY 36375

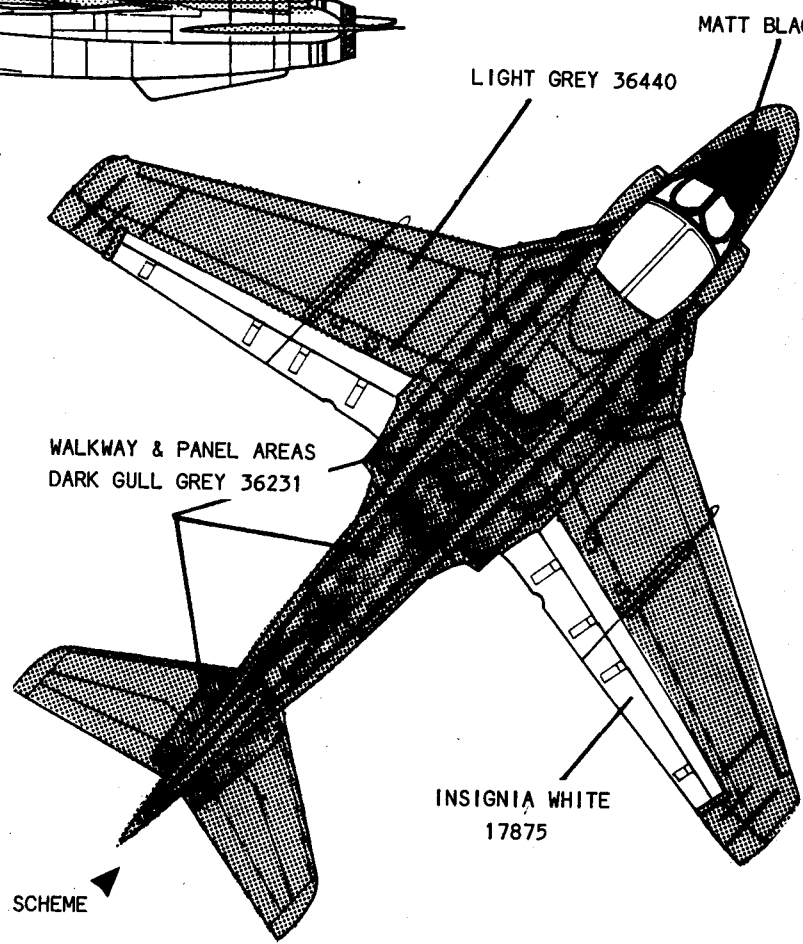
OTHER PLAN UPSERS GREY 36320



THIS GENERAL SCHEME USED ON A/C#207 - SEE DETAIL FOR VARIATION APPLIED TO OUTER FINS ON A/C#207

INTRUDER CAMOUFLAGE

Many low-hour A-6's, particularly KA-6D tanker aircraft remain in 36440 uppers, 17875 unders, rudder and upperflap areas with full colour insignia. Low-vis camouflage on the A-6E consists of Greys 36320 & 36375. As on other types in low-vis, shade variations due to fresh patching/repaints abound and the dusty scuffed walkways matched by 36231 are frequently retained - although upper fuselage use of 36231 is reduced from that seen on the original A-6 scheme. See tone illustrations.



KA-6D SCHEME

ALMARK DECALS
SHEETS S12/A48-18
E.D. MODELS, 64, STRATFORD RD,
SHIRLEY, SOLIHULL, BIRMINGHAM,
B90 3LP. Tel: 021-744-7488.

STENCIL AND CAMOUFLAGE
DETAILS A-6

