



F-105G Thunderchief

F-105G サンダーチーフ F-105G "雷公"战斗机

PLEASE READ BEFORE OPERATION!

- * Tools recommended as below: (Not included)
Adhesives; Paints; Side Cutters; Sharp Edged Pliers; Modeling Knife; Modeling File; Nippers; Drill; Scissors; Sand Paper; Soft Cloth; Cyanoacrylate Glue.
- * Make sure to read this instruction listed below before assembling.
- * The kit contains the small parts, they can be dangerous if swallowed by mistake, so keep them away from reach of children.
- * Cut the all parts off carefully and remove the waste parts into the garbage can.
- * More caution and care should be needed for cutting and handling the photo etched parts.
- * Make attention that some parts should be attached the decal when assembled.
- * During assembling, please tear up and throw away the plastic bags, or may cause the dangerous if wearing over head by children's mistake.
- * When using the adhesives and paints, please do not use them in the closed room or near the fire, also must be very careful to protect your eyes, face and clothes.
- * Adult supervised when assembled by children under 14 years old.

装配前请仔细阅读:

- * 推荐使用的模型工具(请自备):
专用模型胶水, 专用模型油漆, 水口剪刀, 长咀钳, 刀片, 锉刀, 镊子钳, 钻, 剪刀, 软布, 砂纸, 瞬间快干胶等。
- * 用水口剪刀或刀片小心切下所有塑胶零件和蚀刻片零件, 不要遗失小零件。
- * 切取蚀刻片时应特别注意防止利边划伤手指。
- * 用模型锉刀小心锉平所有零件表面的注射浇口。
- * 用适量的强力快干胶水粘合蚀刻片零件和金属轴, 切忌过量, 否则可能导致可动零件被粘住。
- * 注意某些零件表面需在装配时同步贴水上贴纸。
- * 制作时应远离幼儿并将包装袋及时收妥, 谨防小孩玩耍而引起意外。



强力胶

Cyanoacrylate glue



配重

Weight



钻孔

Make hole



切除

Cut / Remove



选择

Option



不涂胶水

No cement



贴纸

Decal



弯曲

Bend



填补

Repair



先装

Install it first



锉平

File / Sand

The method to apply the decals

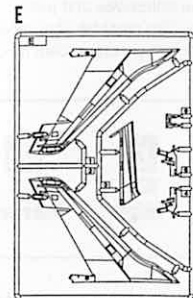
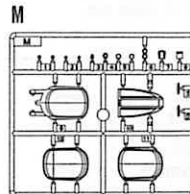
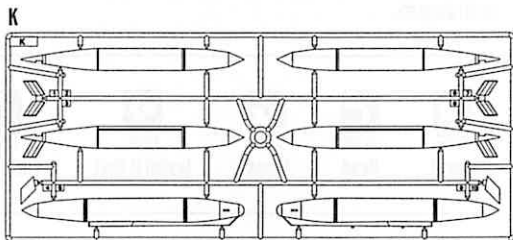
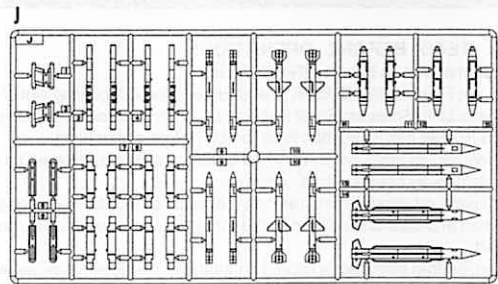
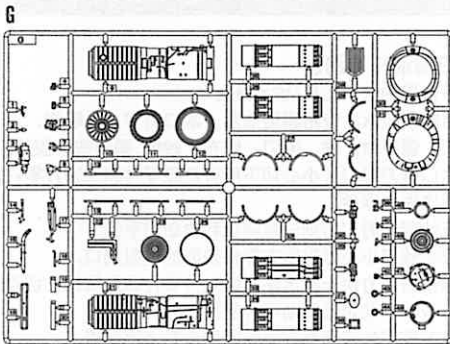
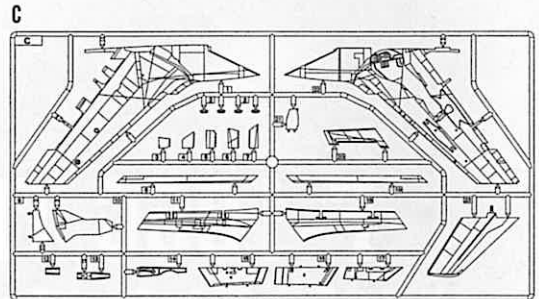
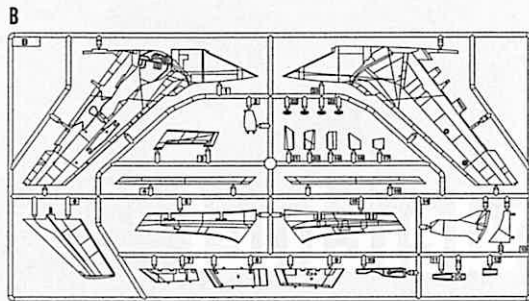
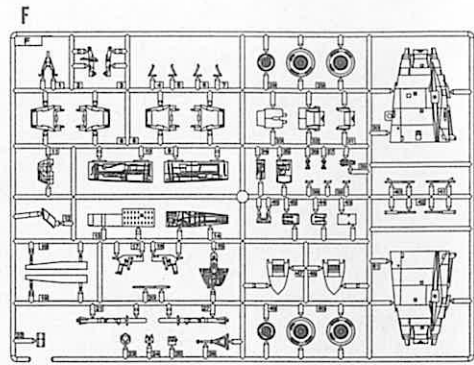
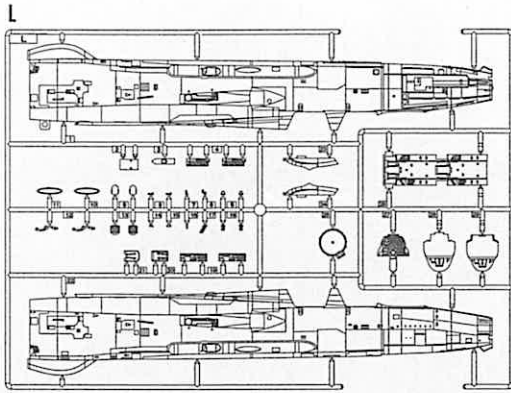
1. Cut off the decal from the decal paper and put it into the warm water 40°C for 10 seconds.
2. Take the decal from the water and put it on a piece of clean cloth.
3. Remove the decal slowly from the paper to the targeted location by a wet finger.
4. Use a piece of dry and soft cloth to press it gently on the decal until it getting dry and no bubble existing.

水贴纸的使用方法:

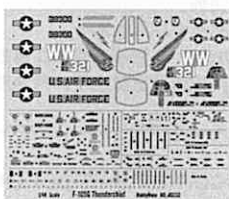
- 一. 把相关的印花从水贴上剪下, 放入40°C左右的温水中浸10秒。
- 二. 然后将印花放在干净的布上。
- 三. 拿上印花纸板, 手指蘸水将印花移到适当的位置。
- 四. 用软干布轻压印花直至水干, 气泡消失。

* 说明书中含有重要信息, 应保留。 Please Keep instruction since it contains important information.

部品图 Parts

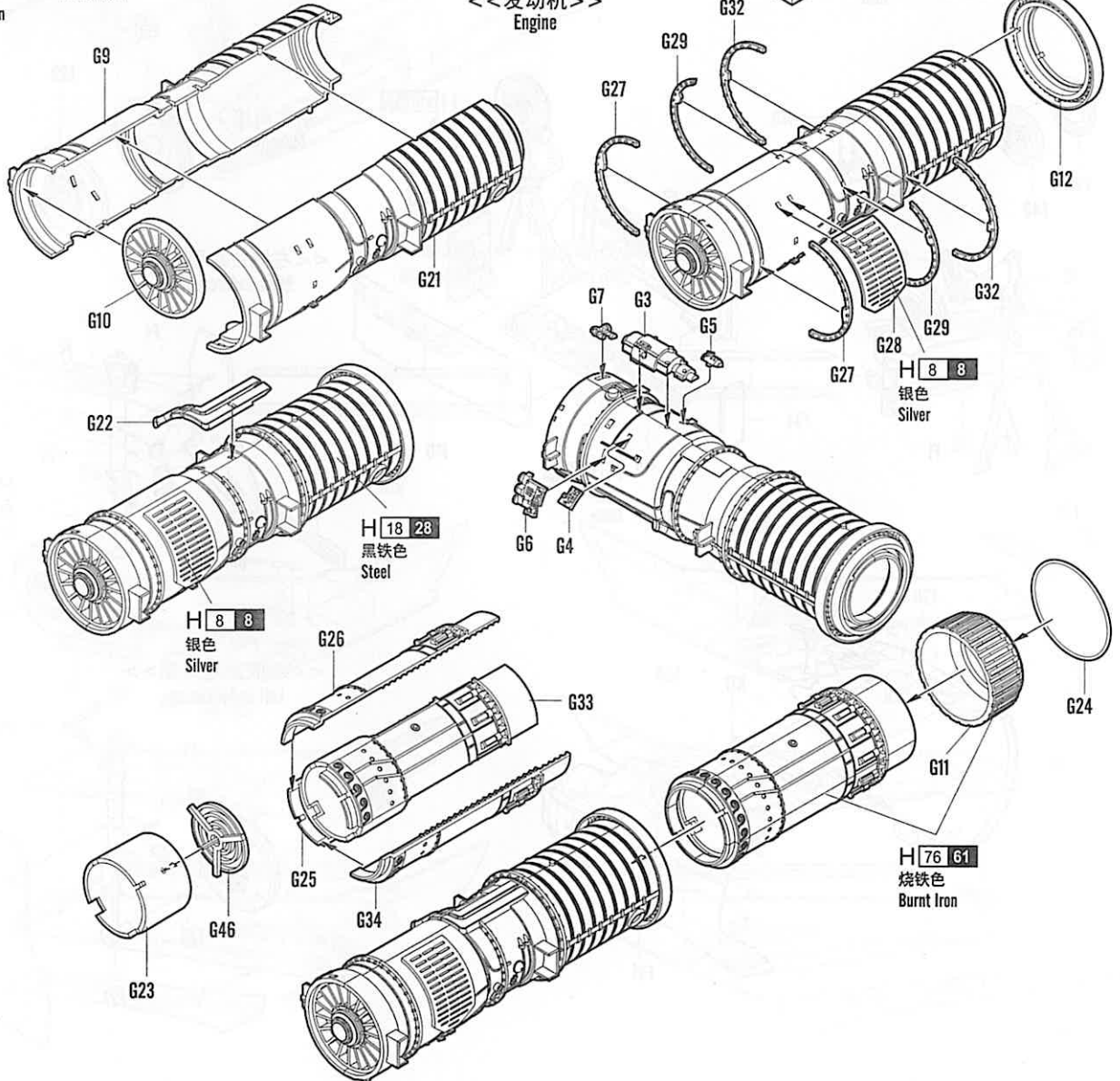
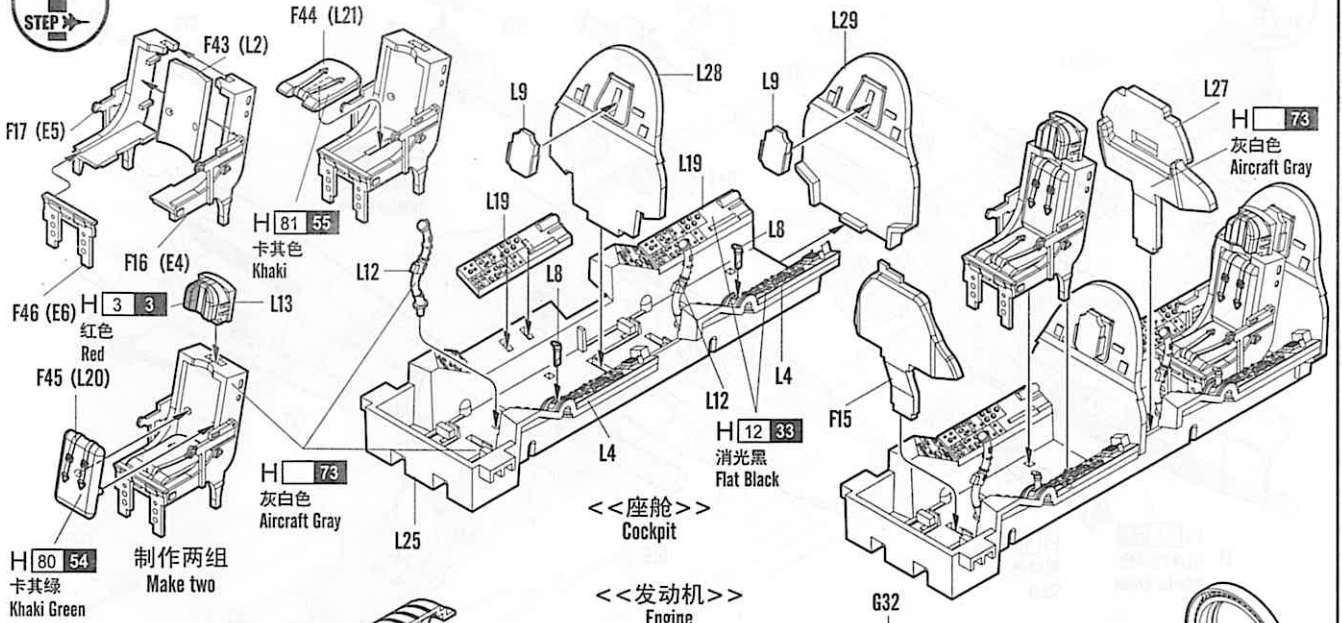


水贴
Decal

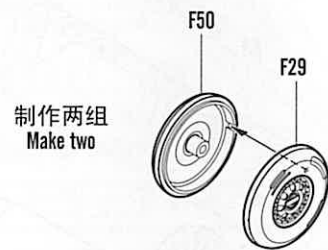
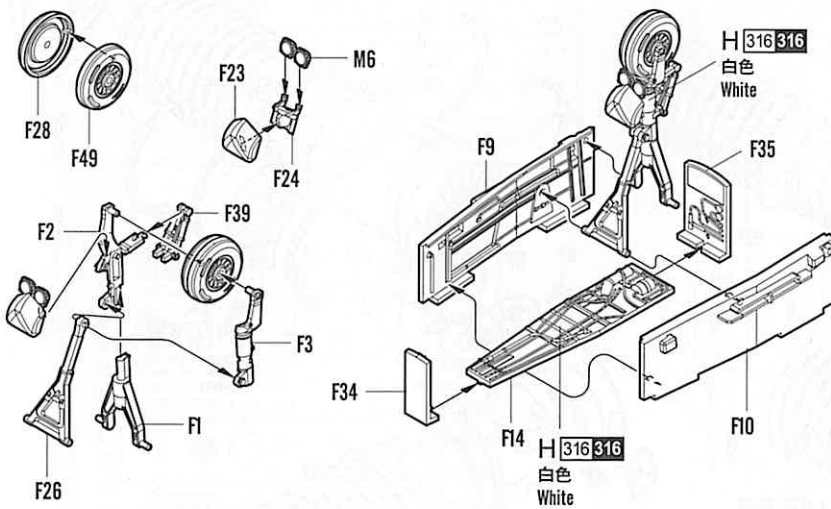
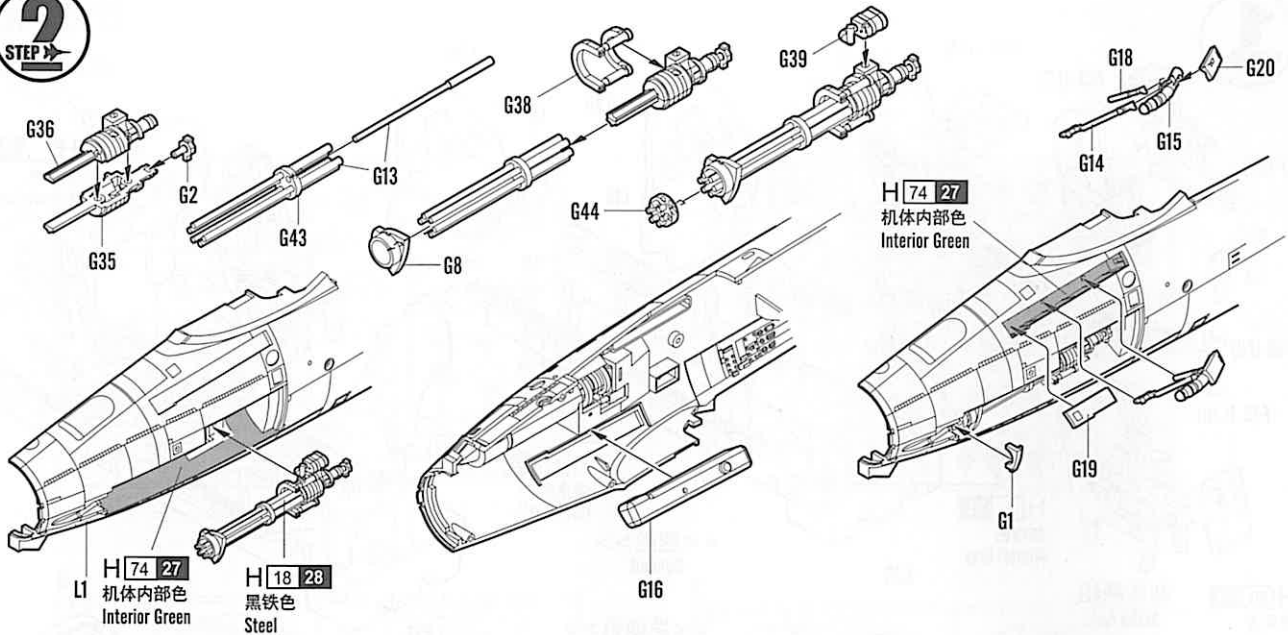


不用的部件: M9 M13 M14
Unused part: M9 M13 M14

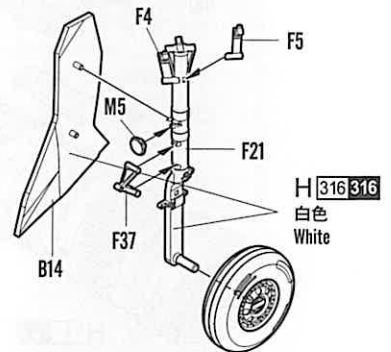
1
STEP



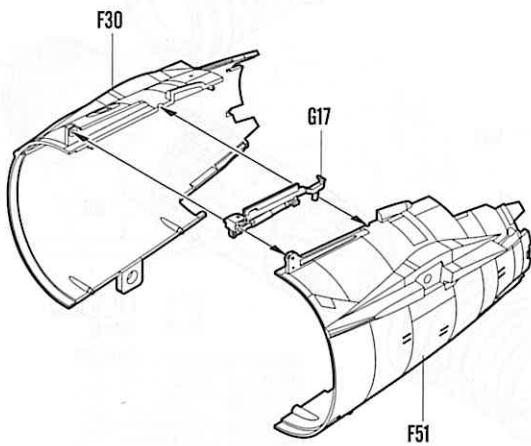
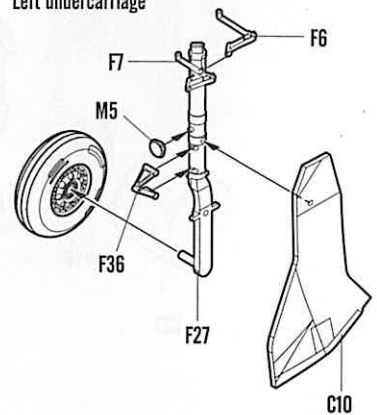
2
STEP

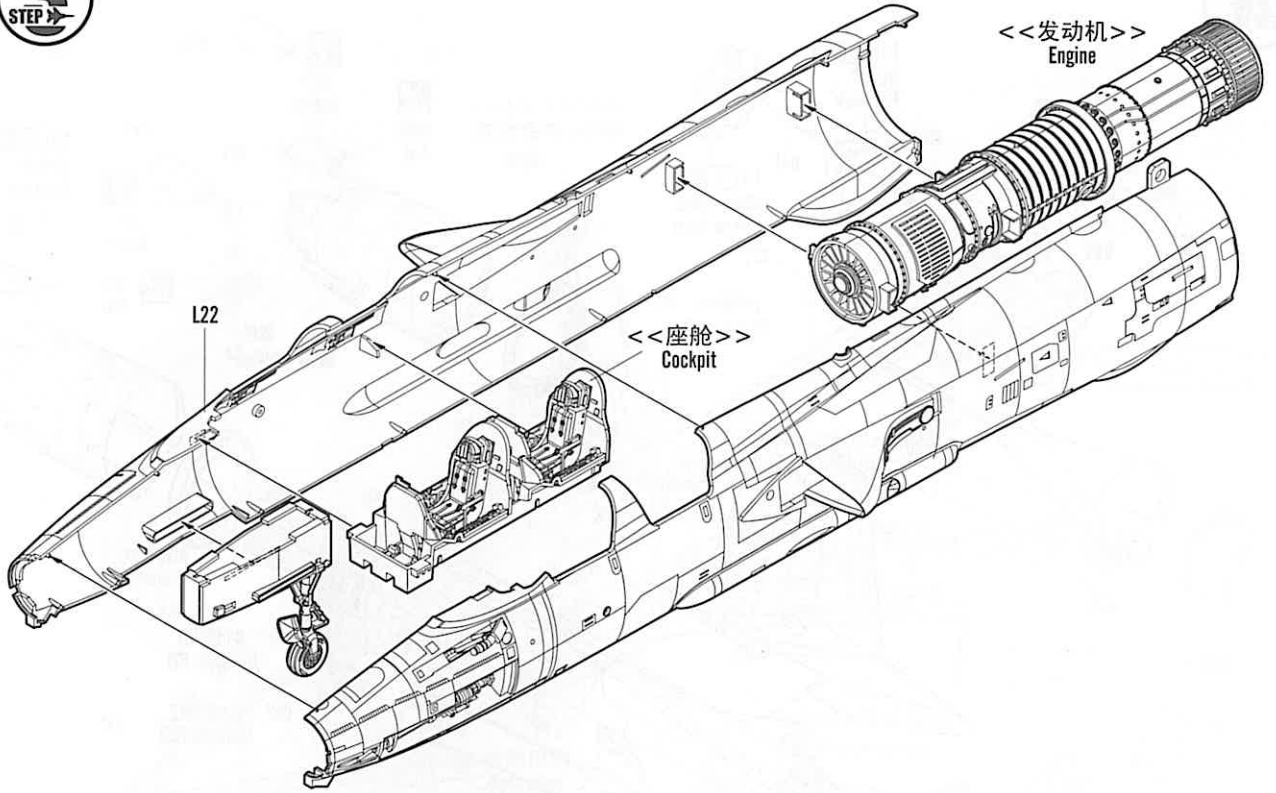


<<右侧主起落架>>
Right undercarriage

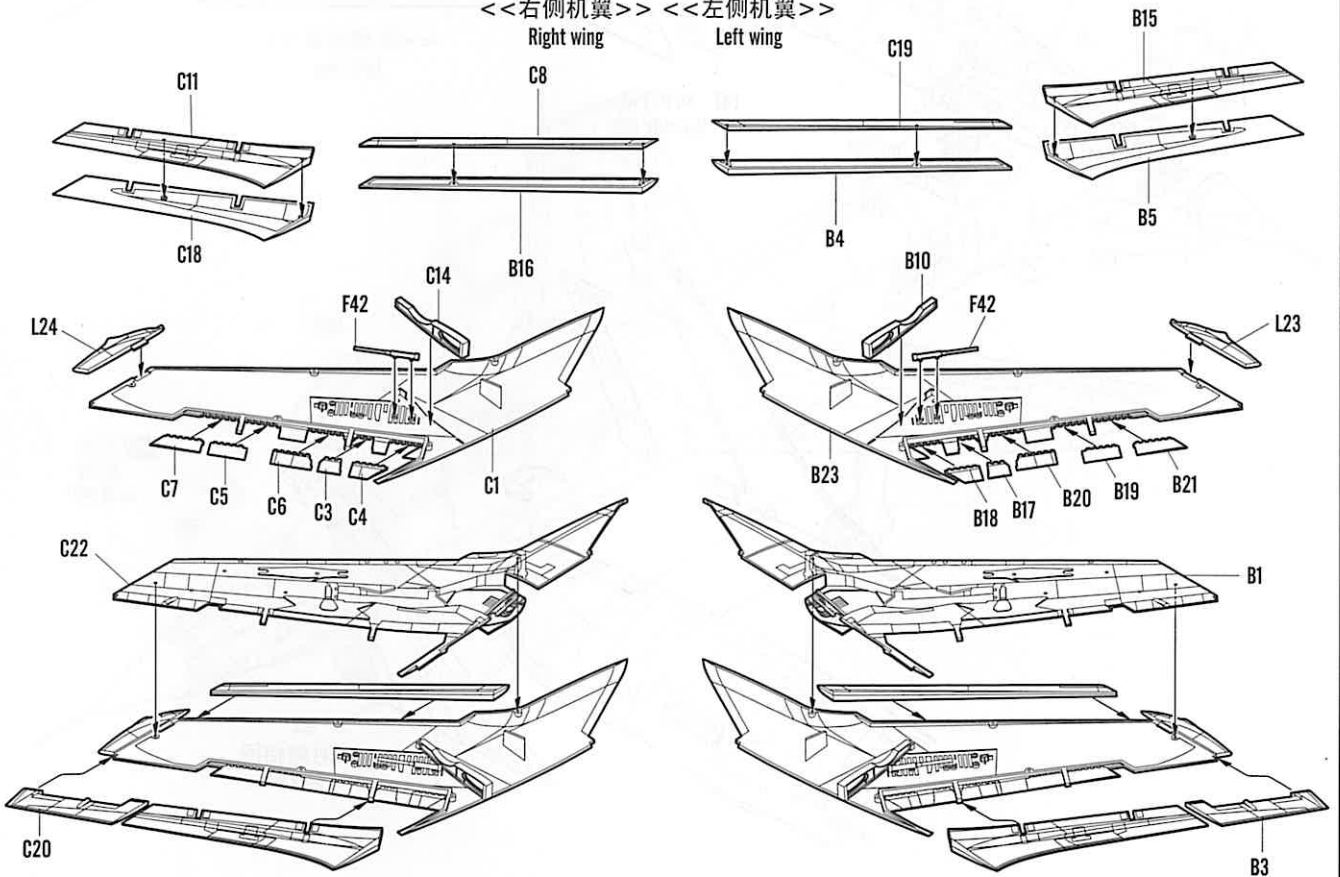


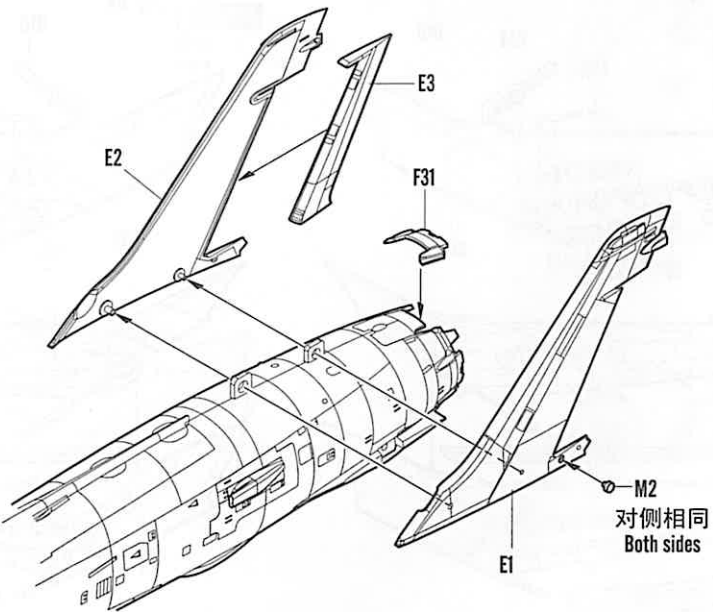
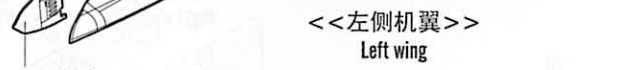
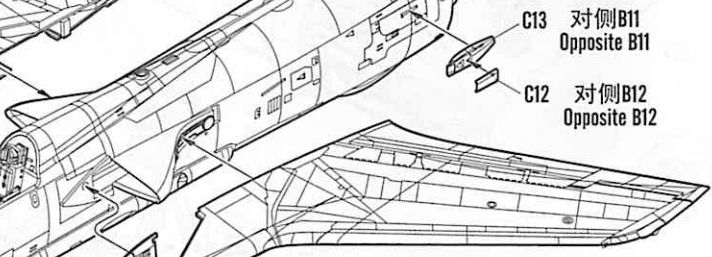
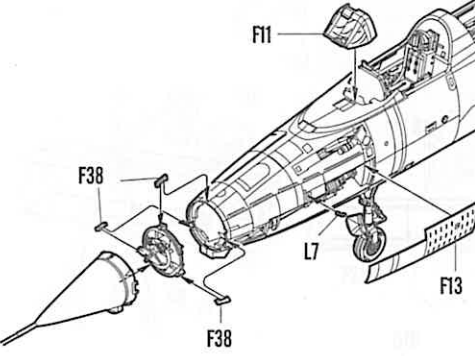
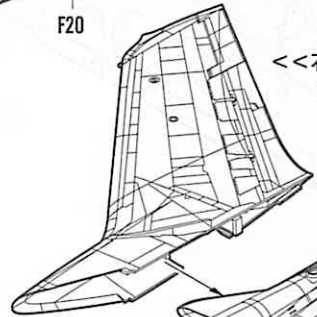
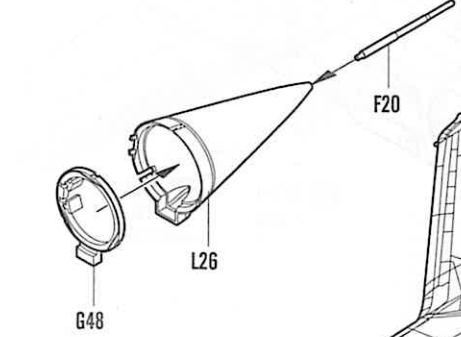
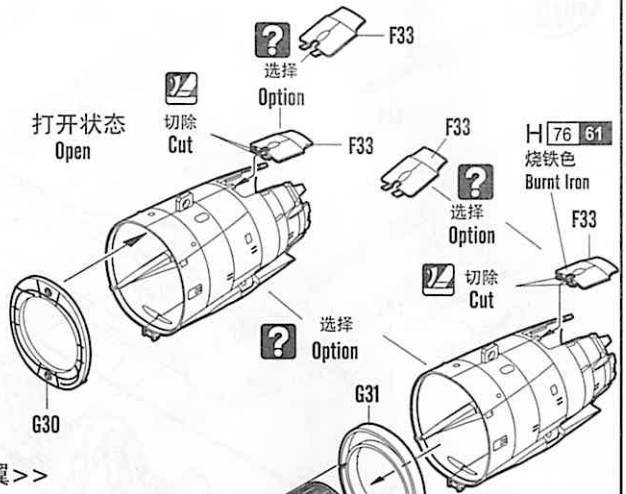
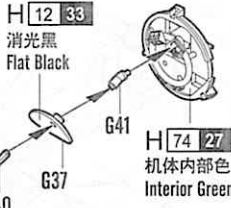
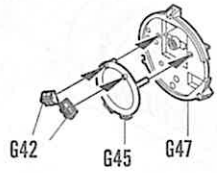
<<左侧主起落架>>
Left undercarriage





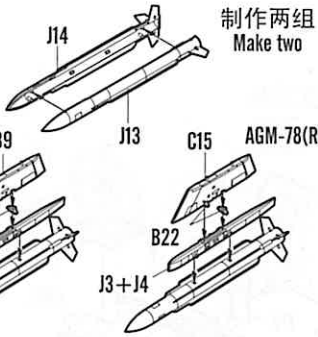
<<右侧机翼>> <<左侧机翼>>
Right wing Left wing



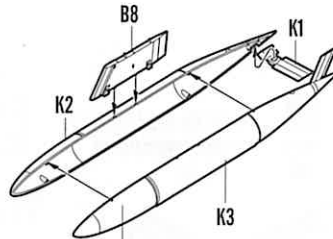




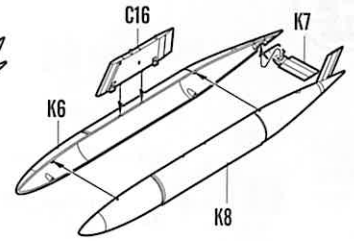
AGM-78(L)



Fuel tank(L)

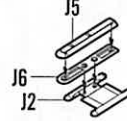


Fuel tank(R)

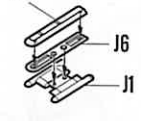


H 316 316
白色
White

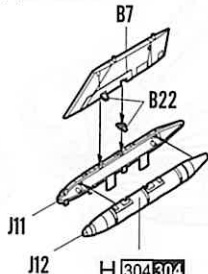
AGM-45(L)



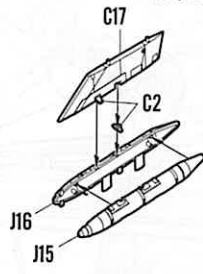
AGM-45(R)



ALQ-87(L)



ALQ-87(R)

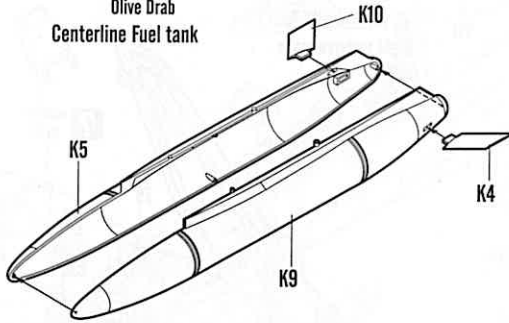


H 304 304

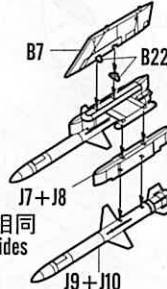
橄榄绿

Olive Drab

Centerline Fuel tank

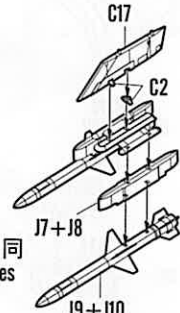


对侧相同
Both sides

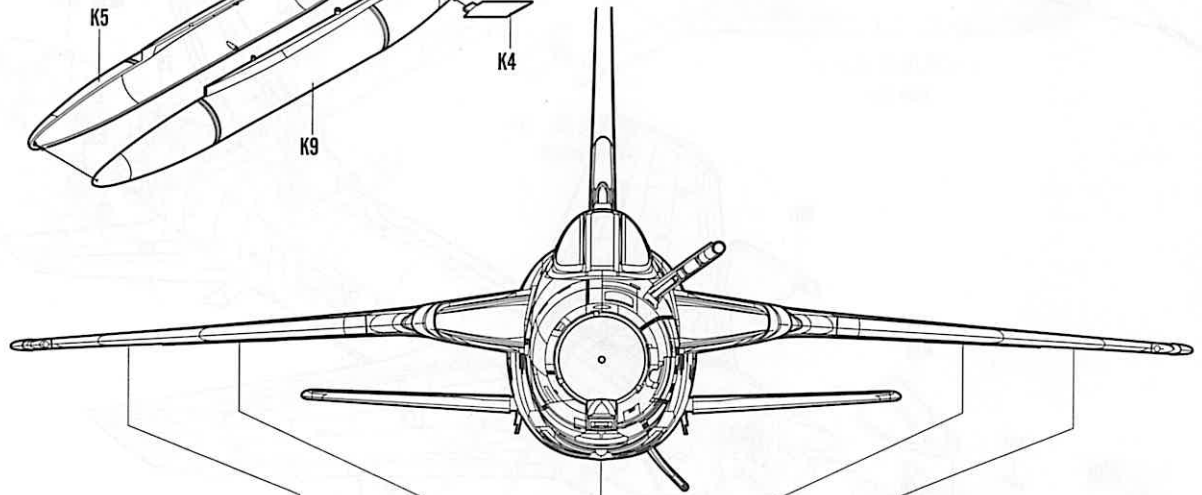


对侧相同
Both sides

对侧相同
Both sides

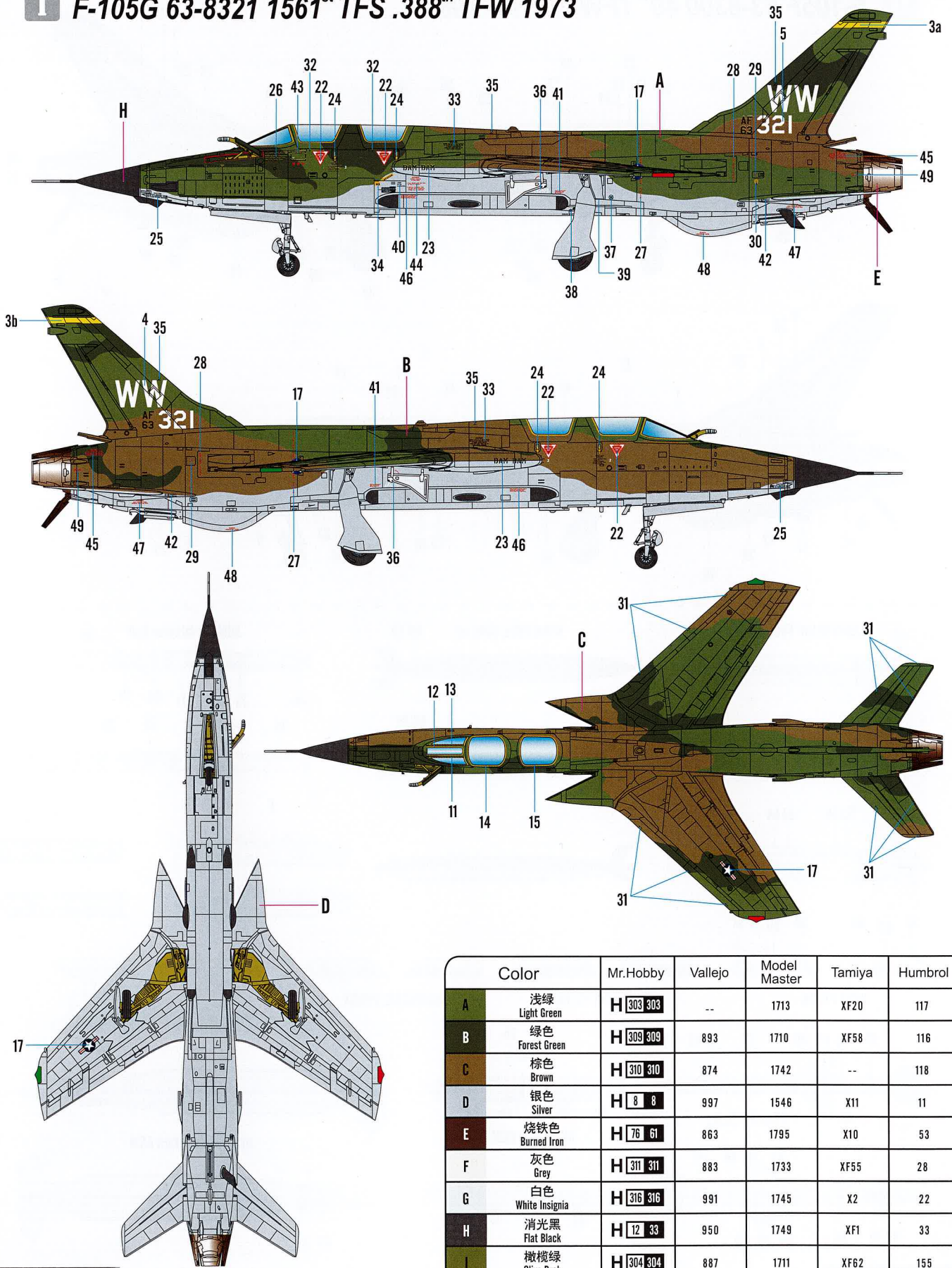


对侧相同
Both sides



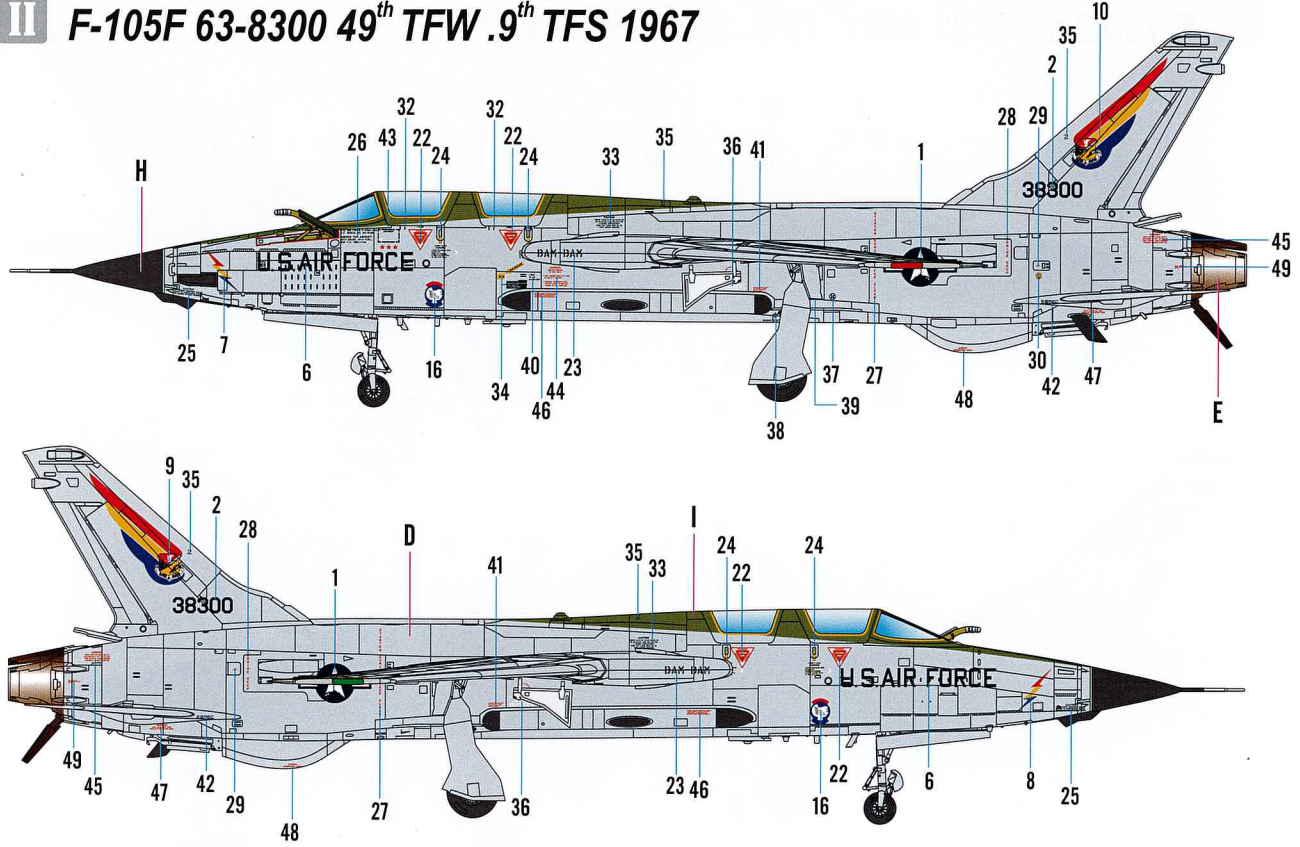
Sta.No.	1	2	3	4	5
Missile/tank					
AGM-78(L)				●	
AGM-78(R)		●			
Fuel tank(L)				●	
Fuel tank(R)		●			
ALQ-87(L)					●
ALQ-87(R)	●				
AGM-45(L)					●
AGM-45(R)	●				
Centerline Fuel tank			●		

I F-105G 63-8321 1561st TFS .388th TFW 1973

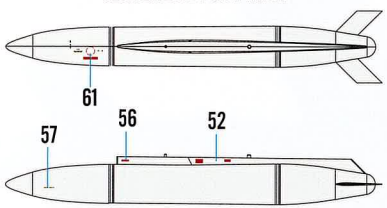


Color	Mr.Hobby	Vallejo	Model Master	Tamiya	Humbrol
A 浅绿 Light Green	H 303 303	--	1713	XF20	117
B 绿色 Forest Green	H 309 309	893	1710	XF58	116
C 棕色 Brown	H 310 310	874	1742	--	118
D 银色 Silver	H 8 8	997	1546	X11	11
E 烧铁色 Burned Iron	H 76 61	863	1795	X10	53
F 灰色 Grey	H 311 311	883	1733	XF55	28
G 白色 White Insignia	H 316 316	991	1745	X2	22
H 消光黑 Flat Black	H 12 33	950	1749	XF1	33
I 橄榄绿 Olive Drab	H 304 304	887	1711	XF62	155

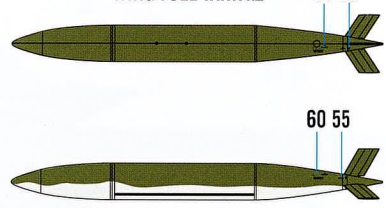
II F-105F 63-8300 49th TFW .9th TFS 1967



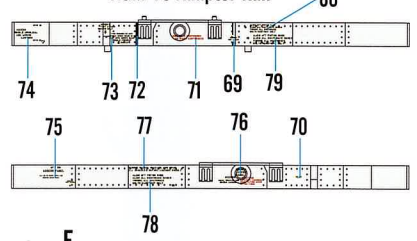
CENTERLINE FUEL TANK



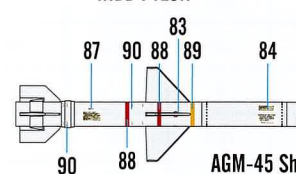
WING FUEL TANK x2



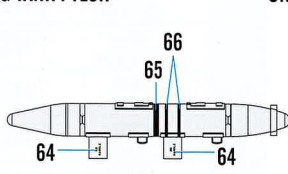
AGM-78 Adapter Rail



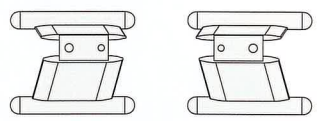
INBD PYLON



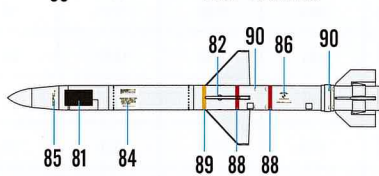
WING TANK PYLON



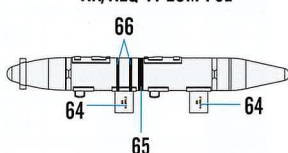
UNIVERSAL PYLON



AGM-45 Shrike



AN/ALQ-71 ECM Pod



AGM-78 Standard ARM

