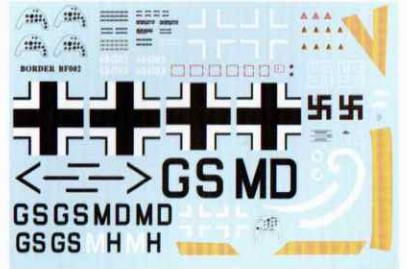
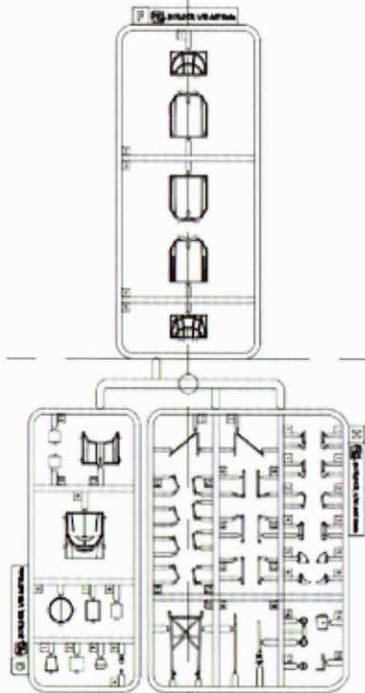
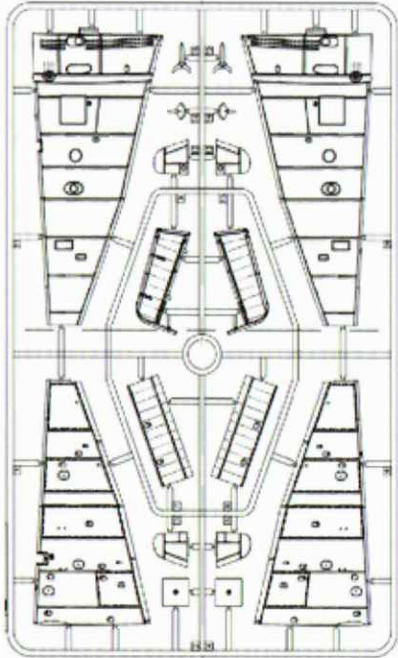
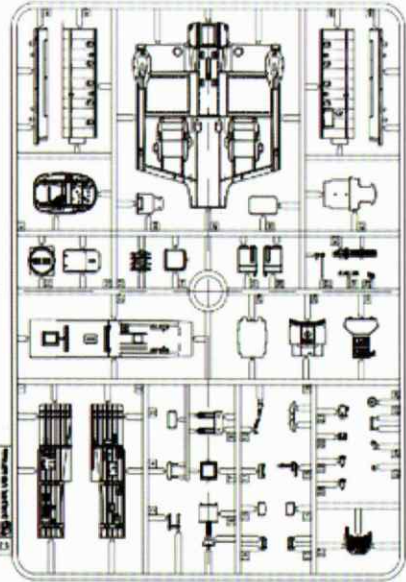
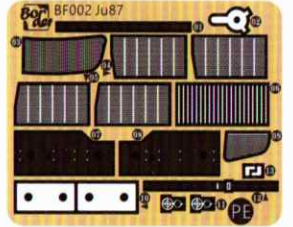
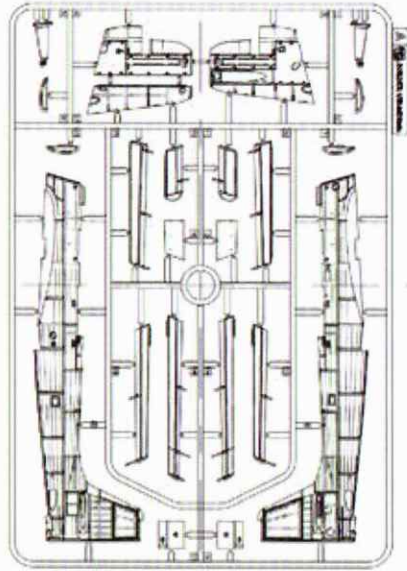
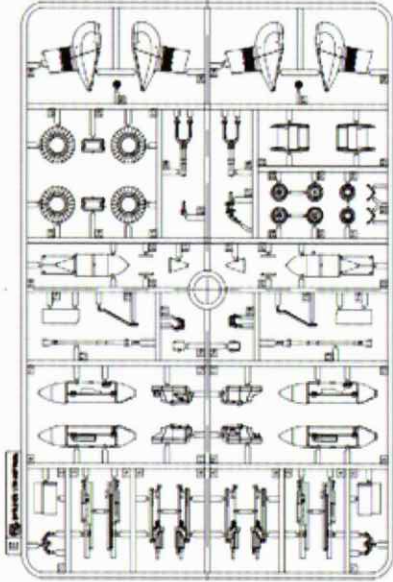
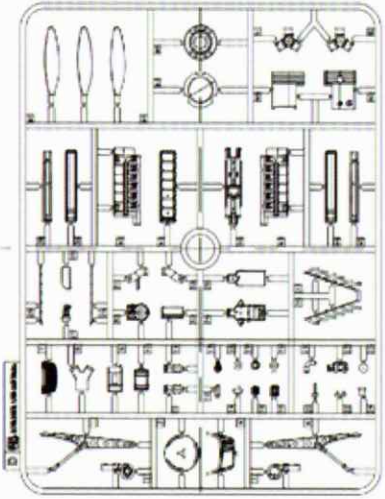
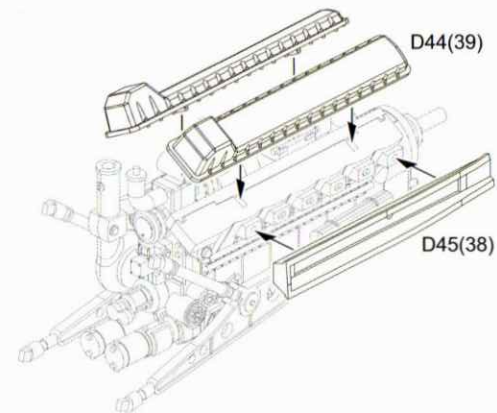
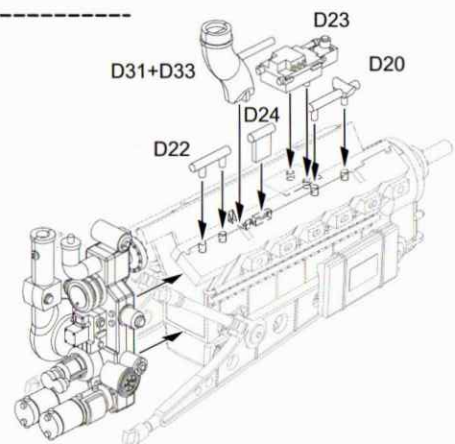
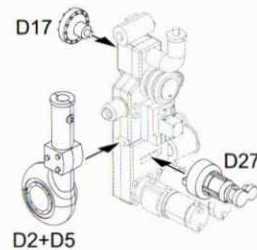
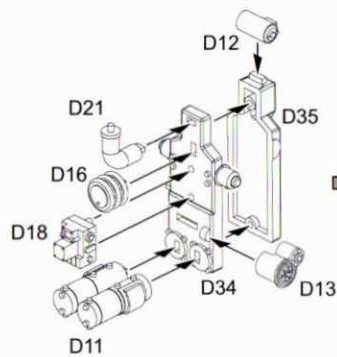
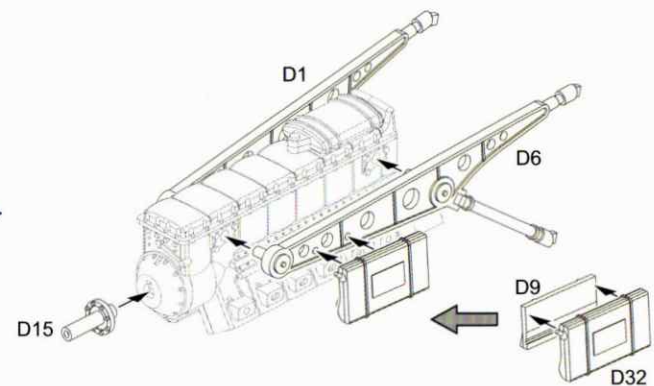
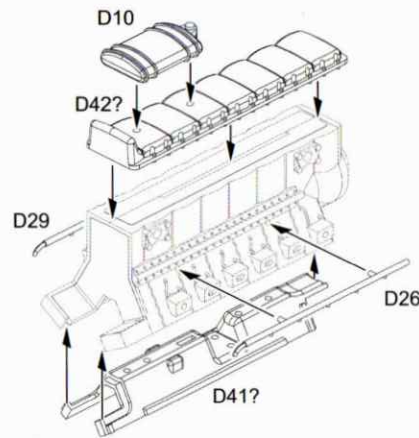
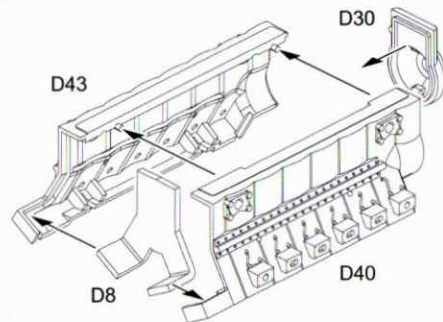




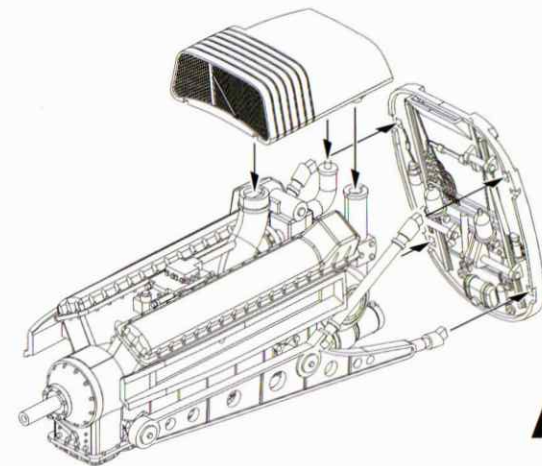
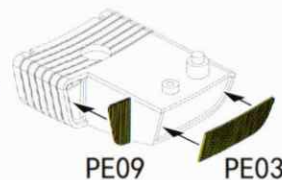
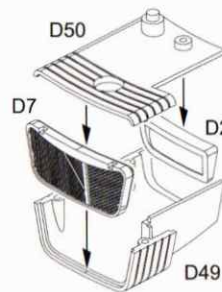
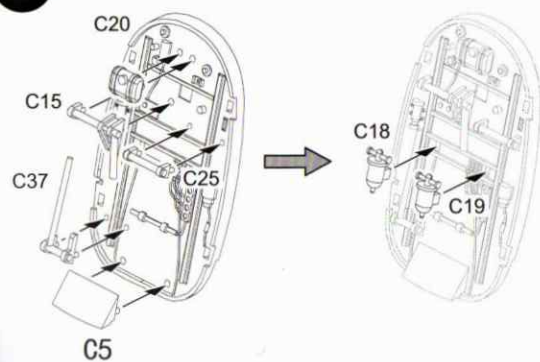
JASON 2021



1

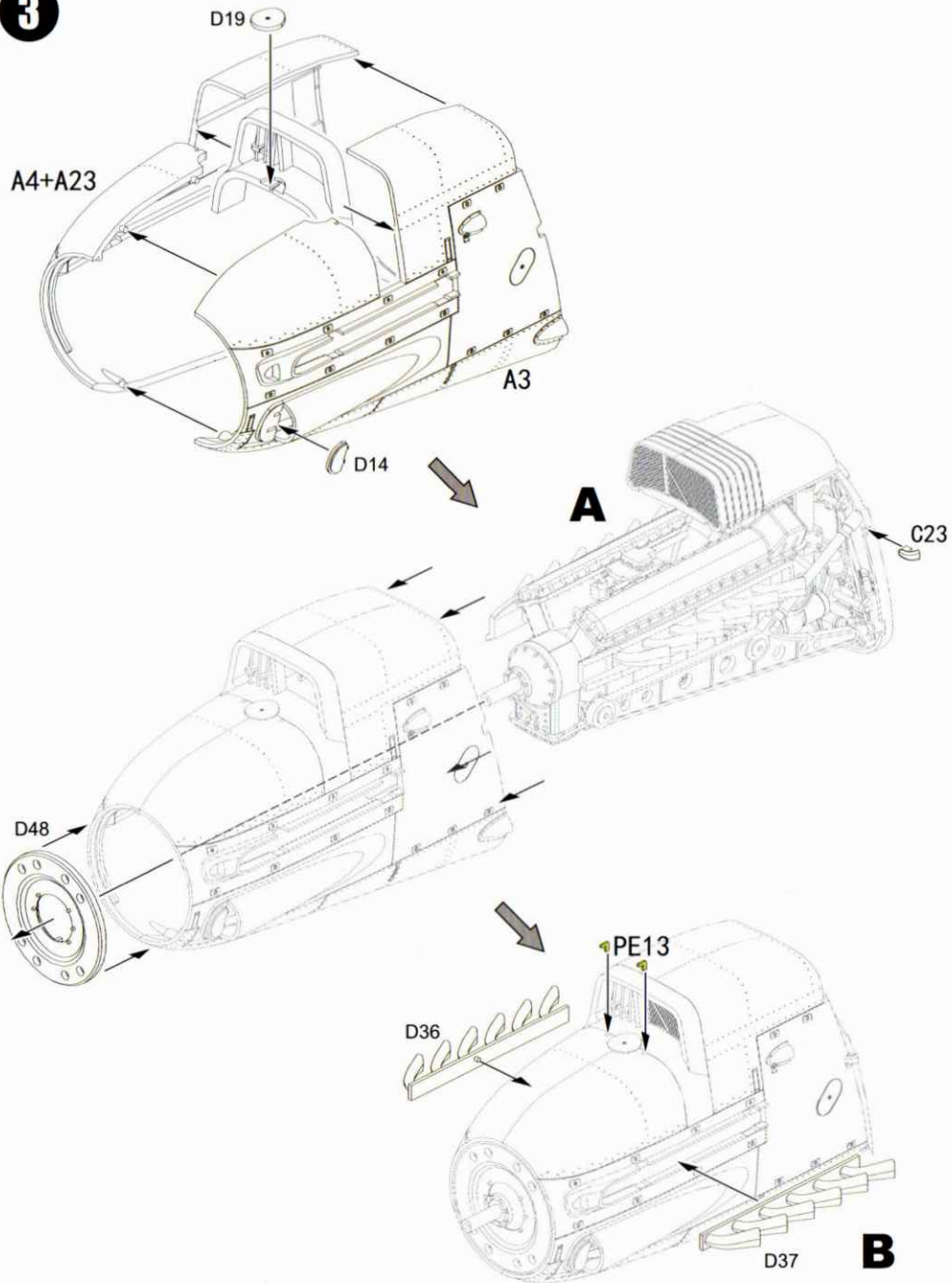


2

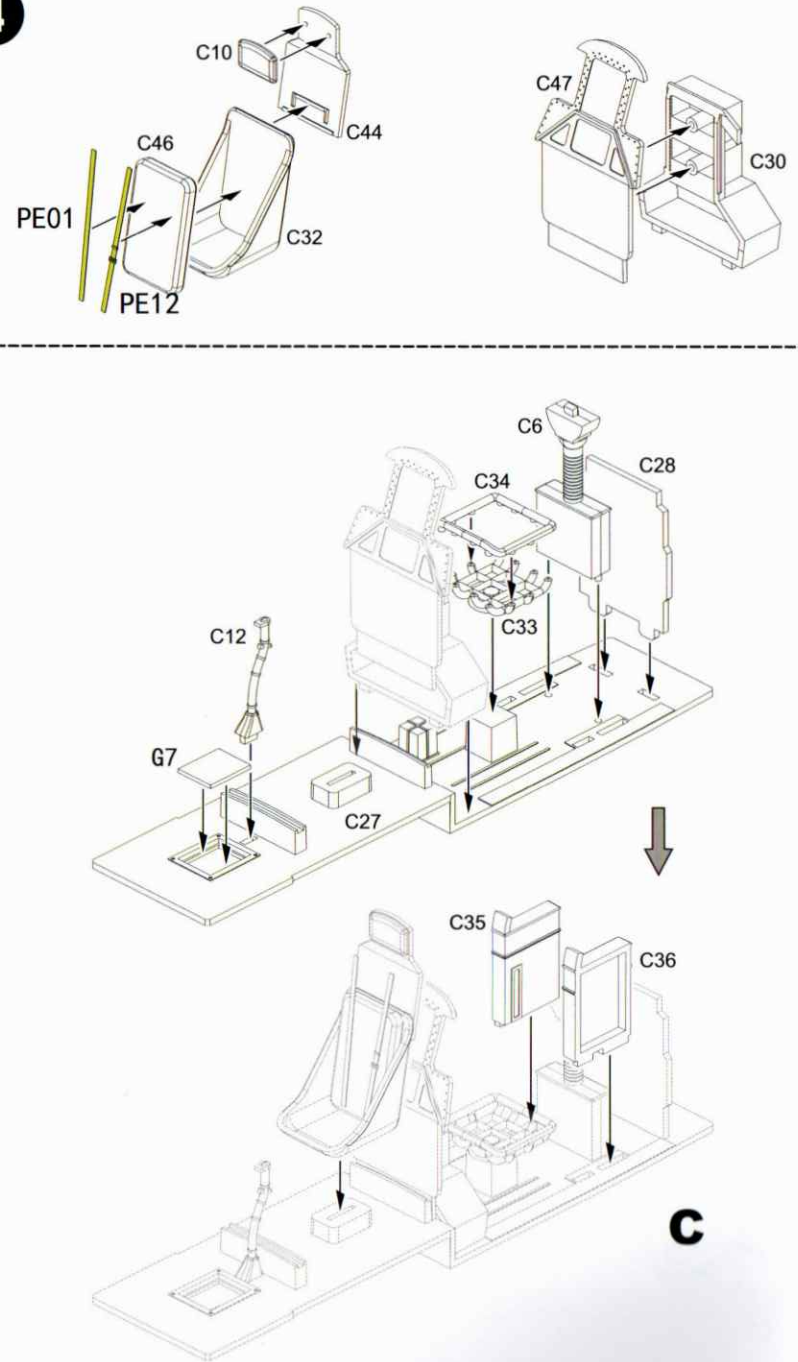


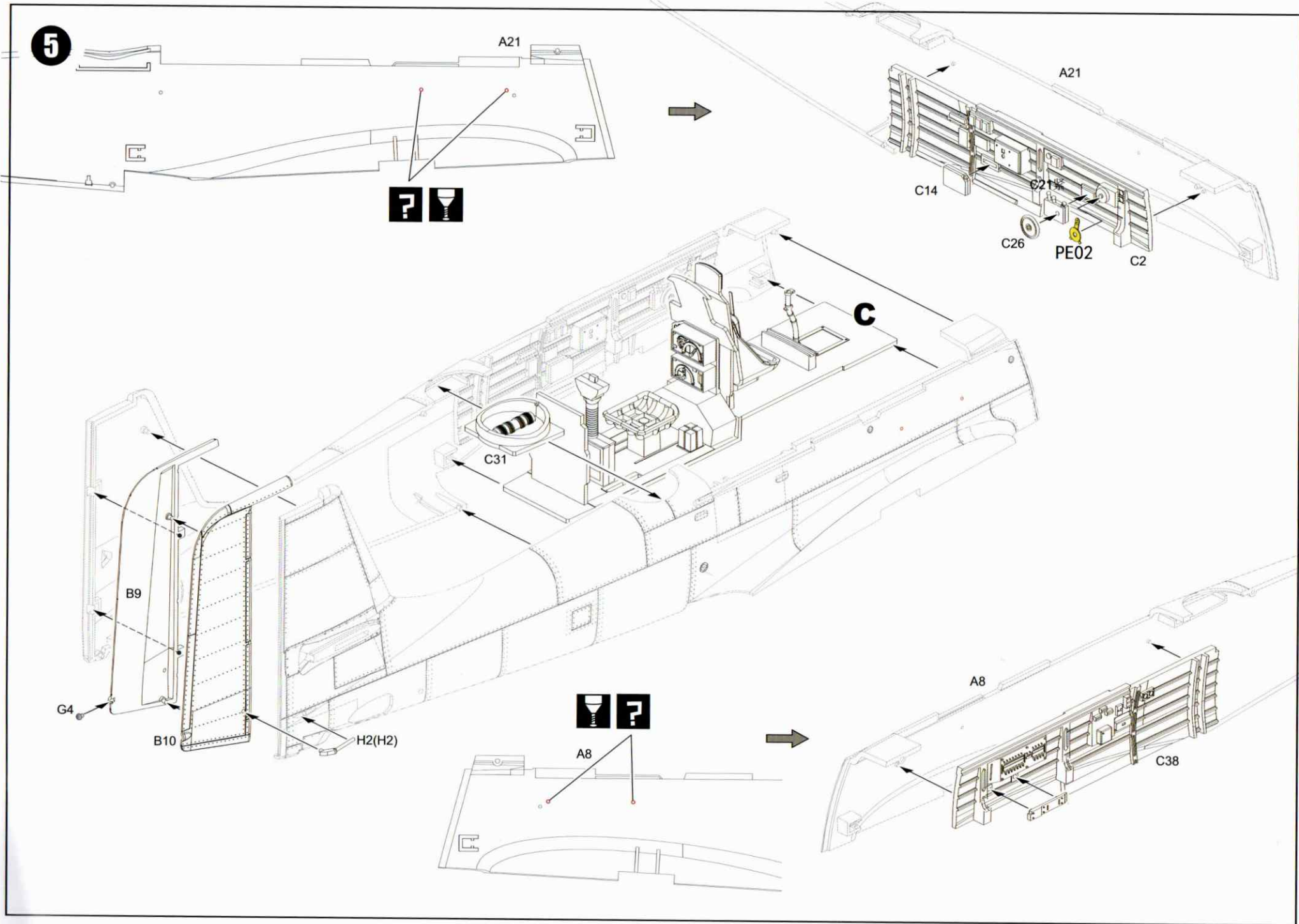
A

3

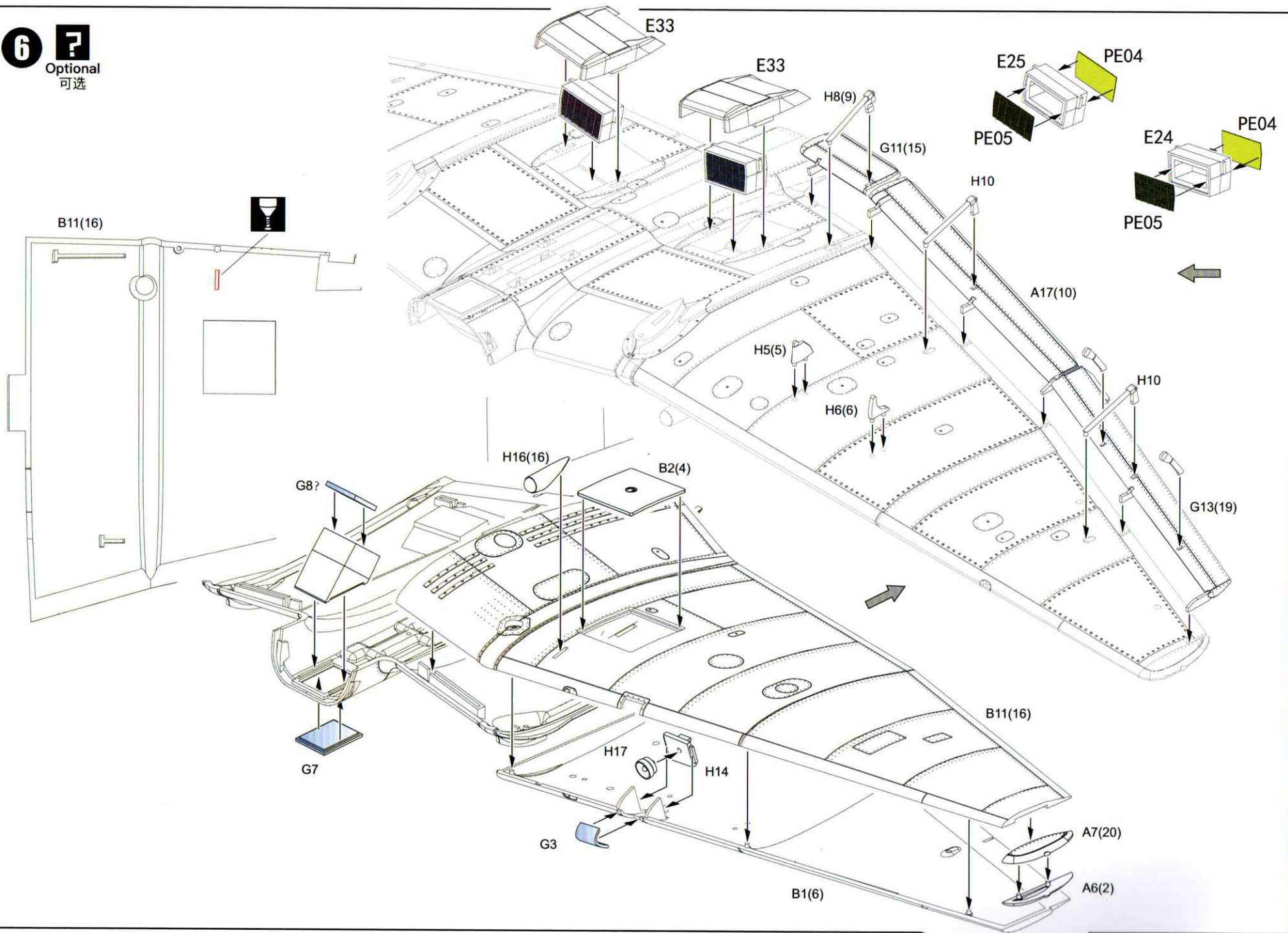


4

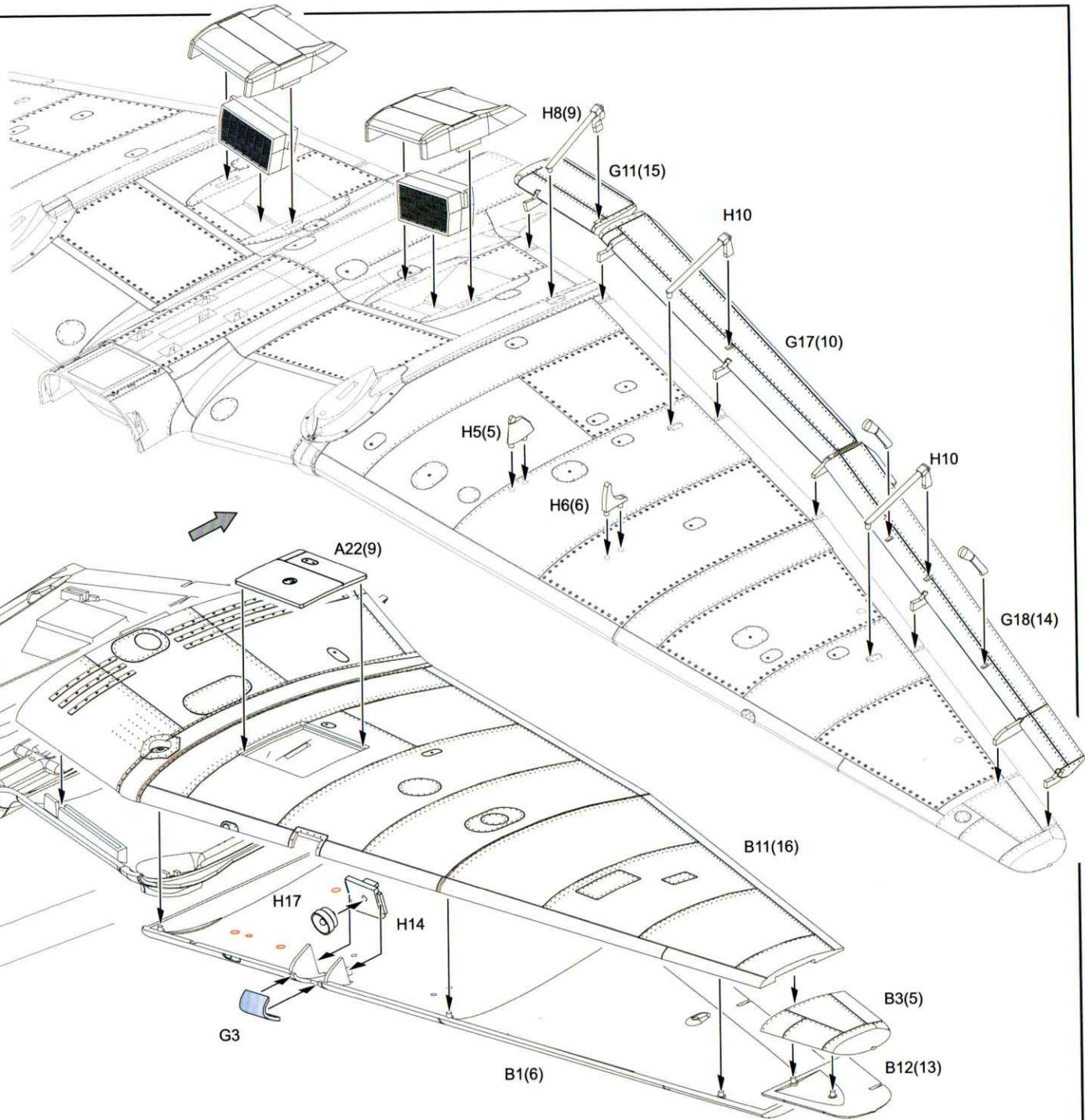
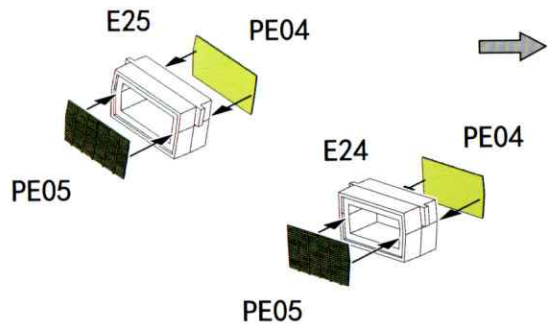




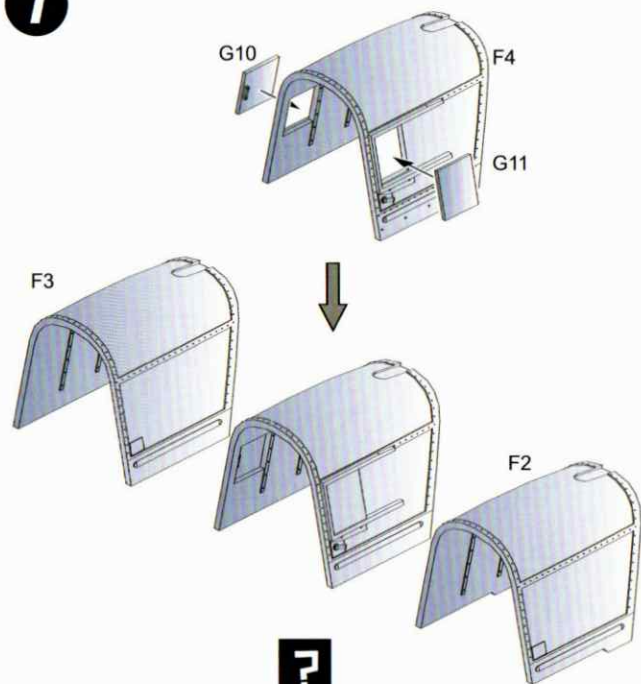
**6** **?**  
Optional  
可选



**6** **?**  
Optional  
可选



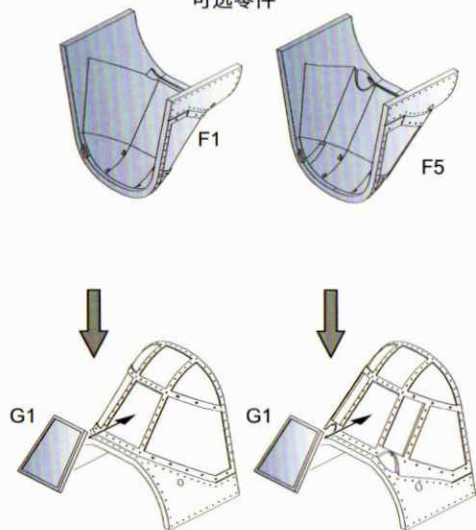
7



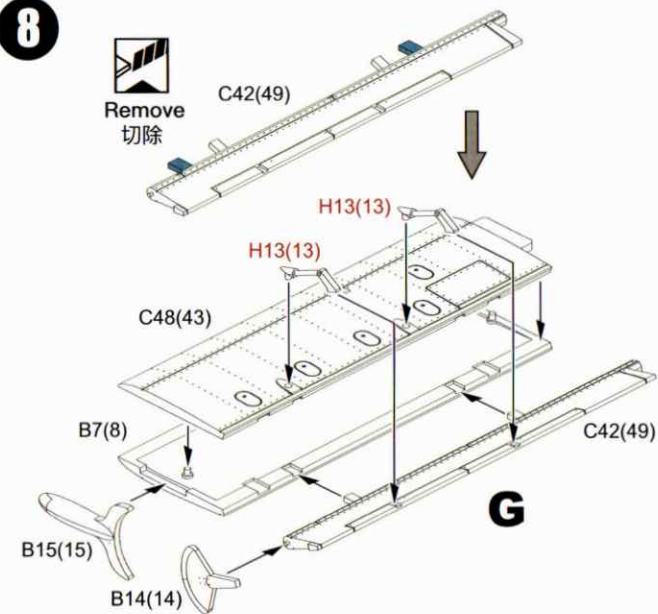
**?**  
Optional Parts  
可选零件

**?**

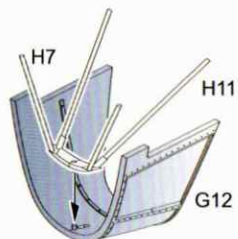
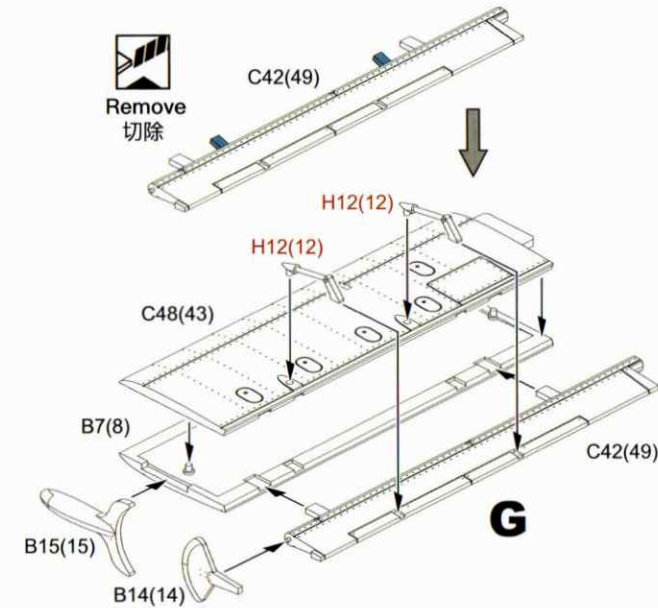
Optional Parts  
可选零件



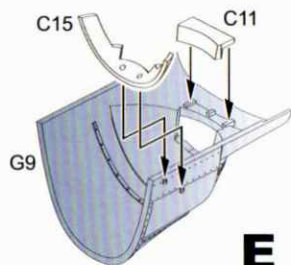
8



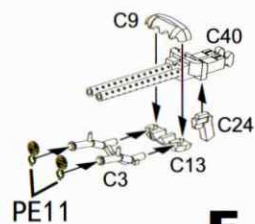
**?**  
Optional  
可选



**D**



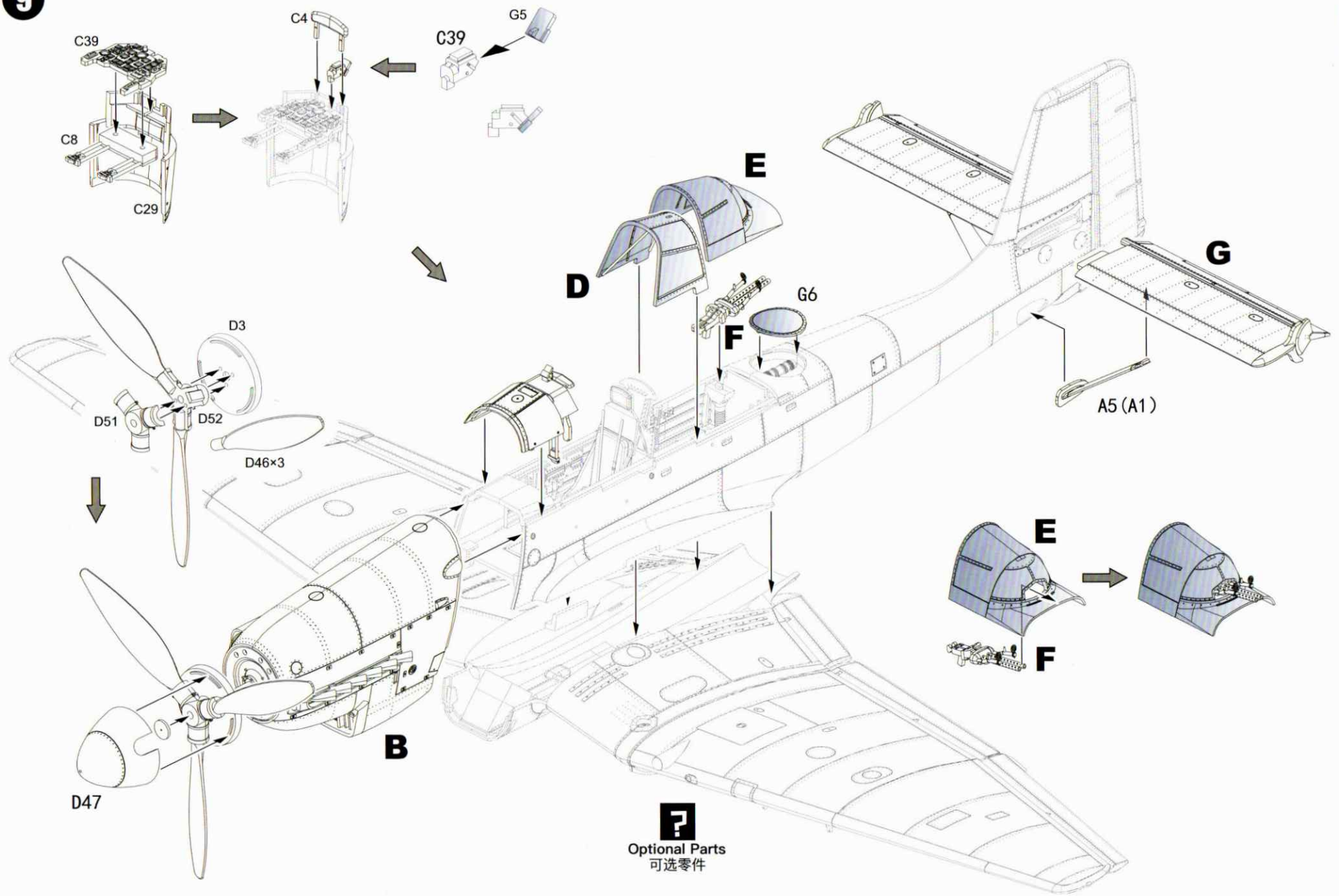
**E**



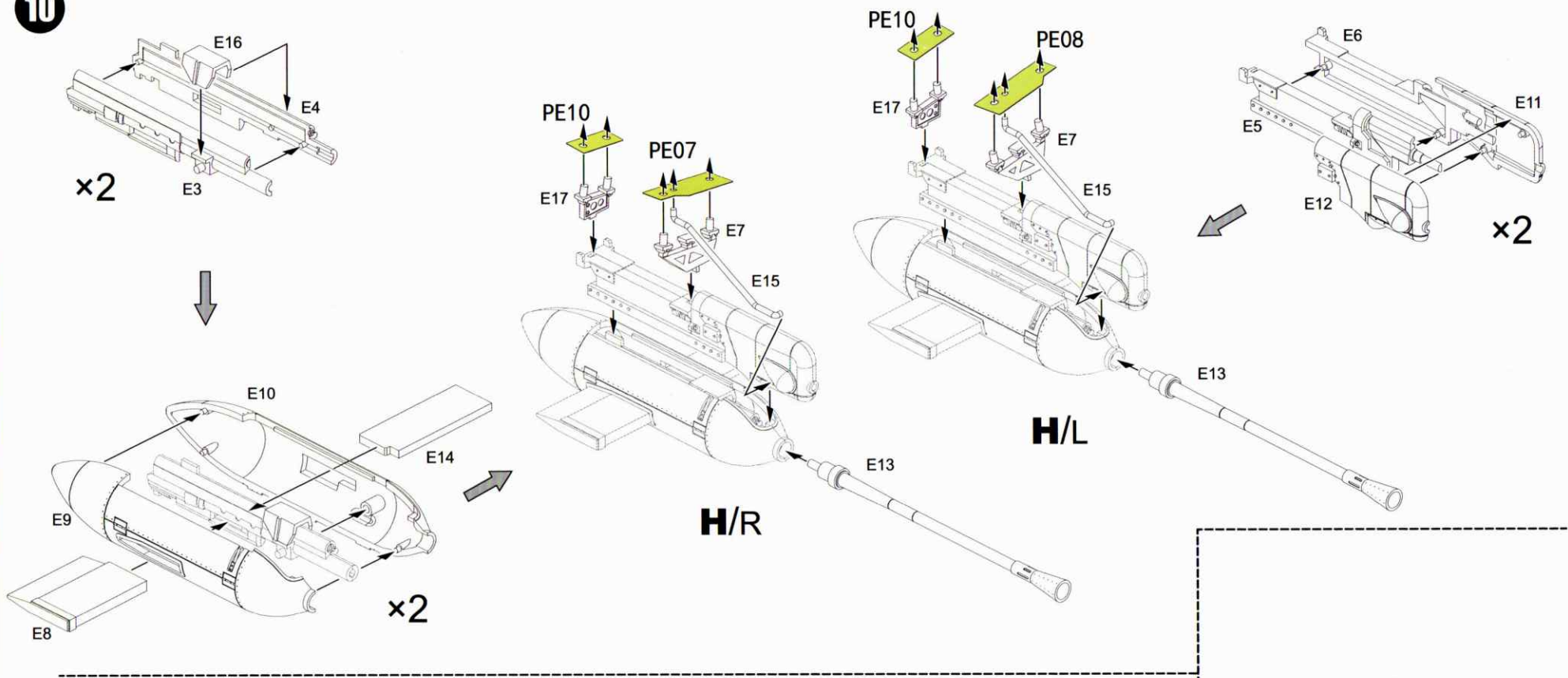
**F**



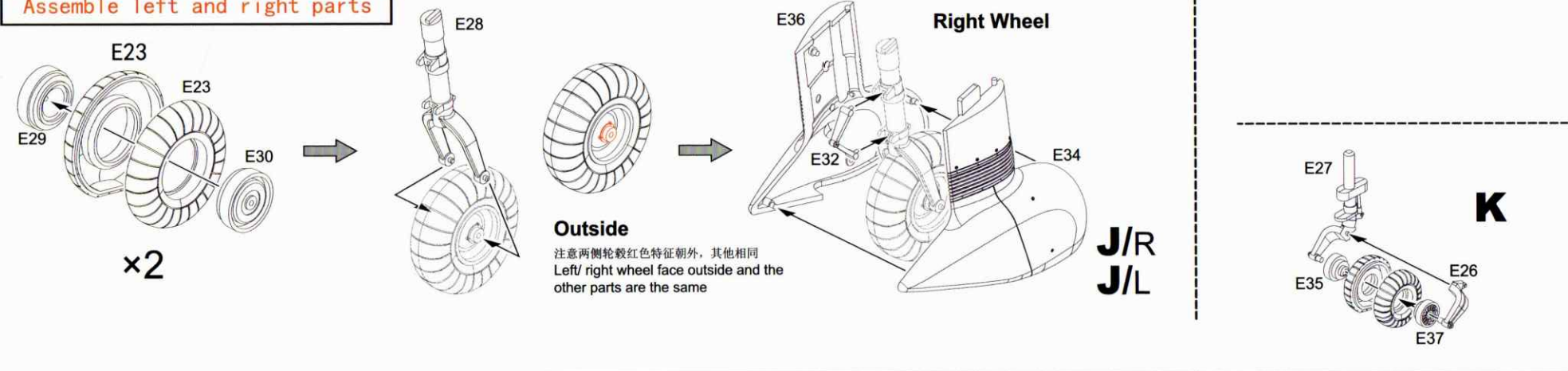
9



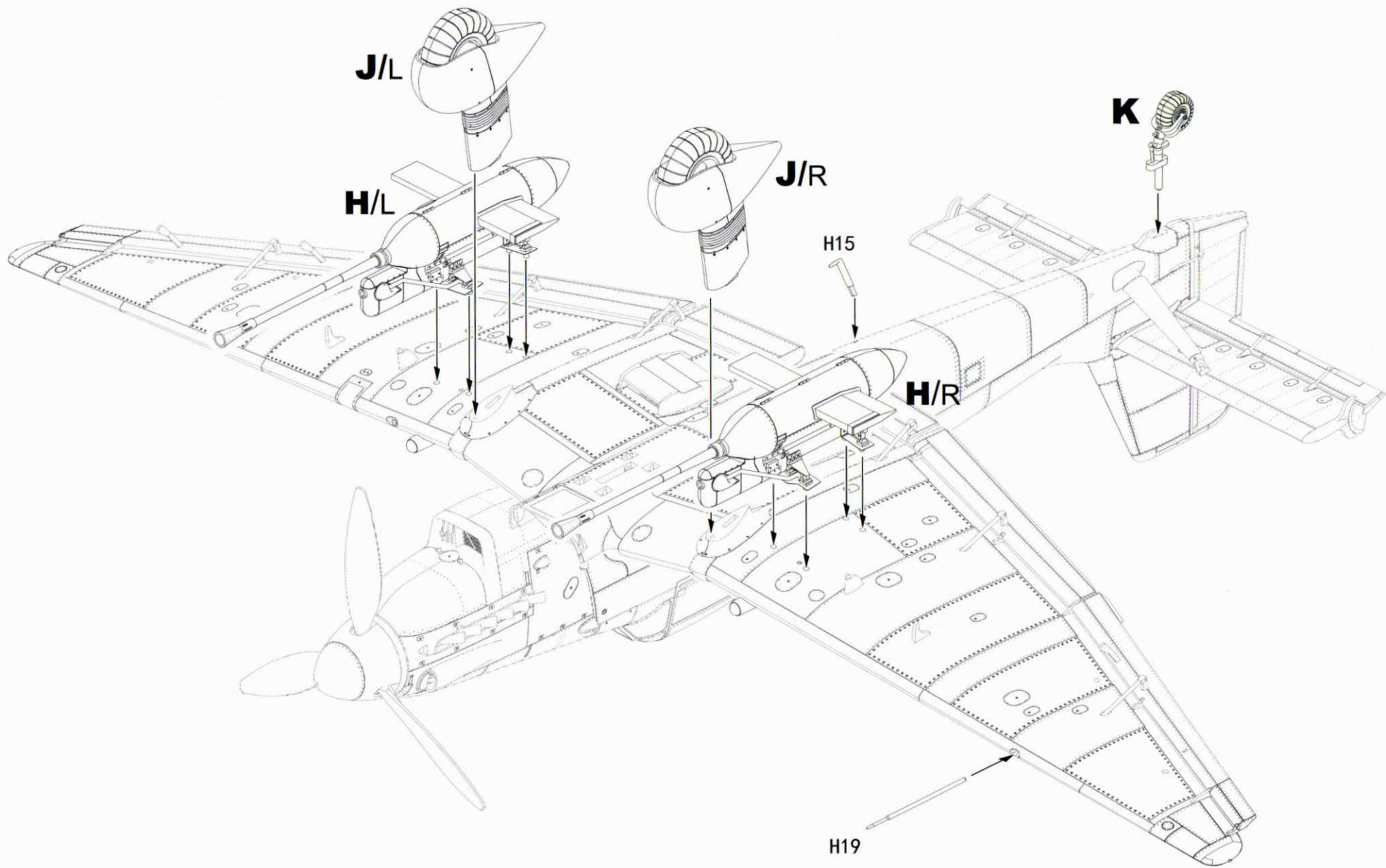
10



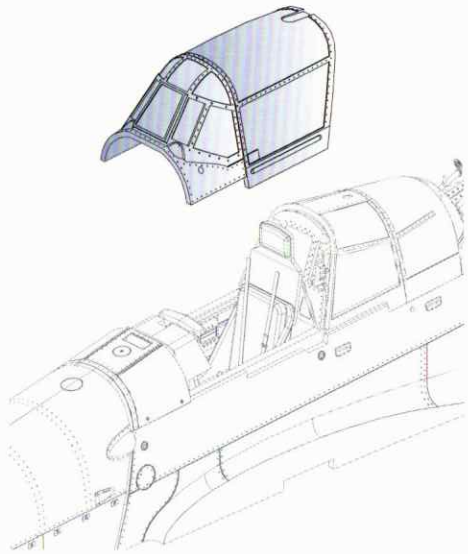
Assemble left and right parts



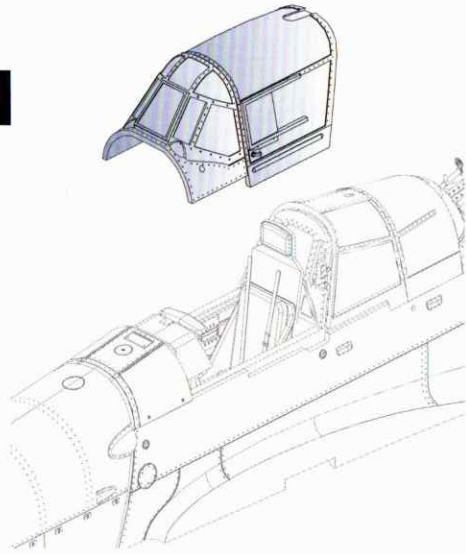
11



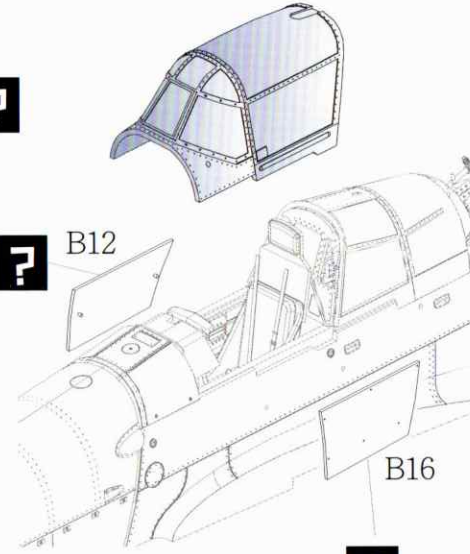
11



?



?



?

B12

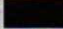
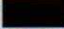




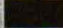
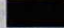
B16

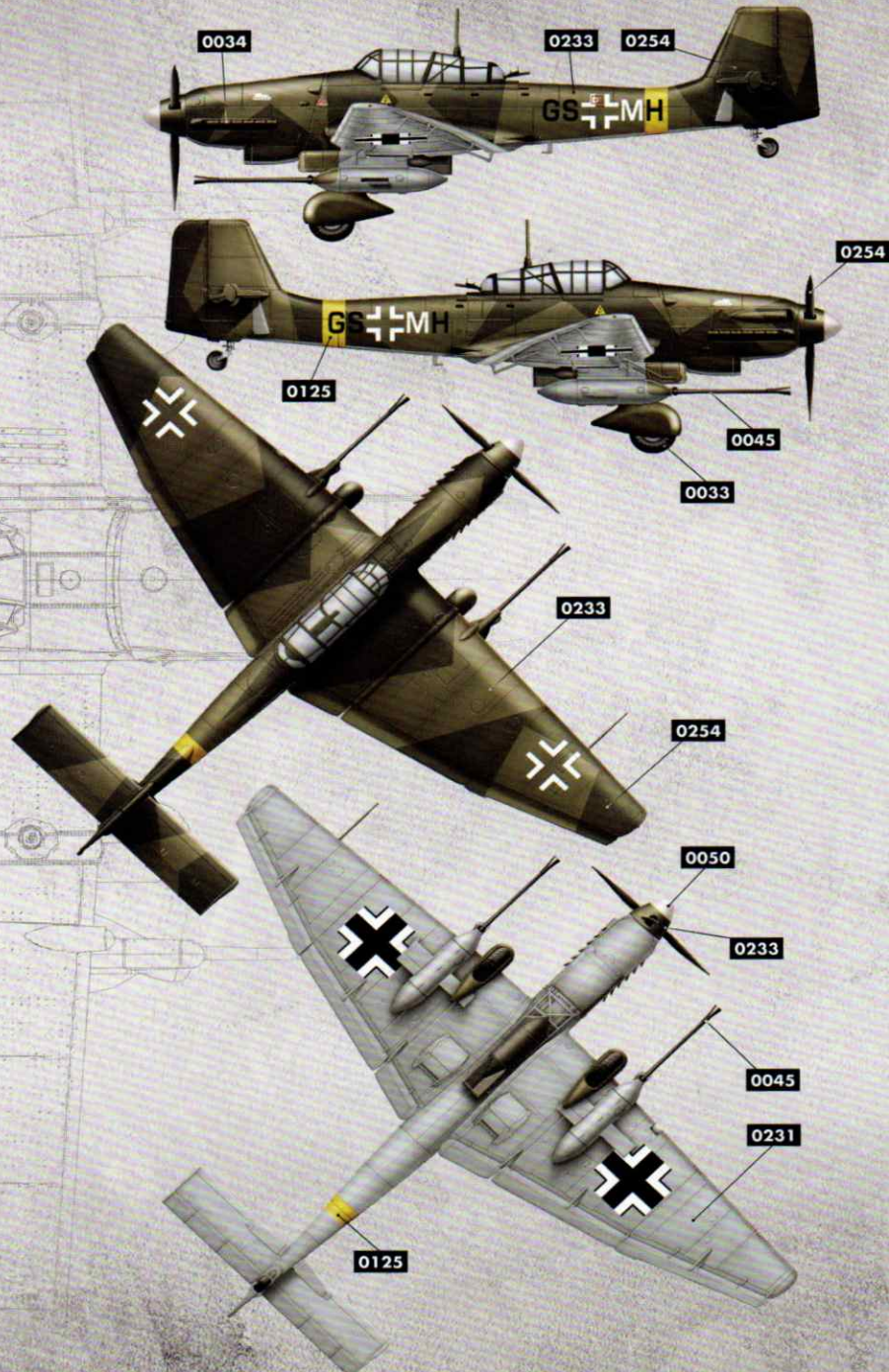
?

# JU87G STUKA

## PAINTING AND MARKING GUIDE

**BORDER MODEL REF: XXXXXX** 1943.KURSK RUDEL JU87 G-1 without Zvastika

 <b>A.MIG-0033</b> Rubber & Tires	 <b>A.MIG-0034</b> Rust Tracks	 <b>A.MIG-0045</b> Gun Metal	 <b>A.MIG-0050</b> Matt White
 <b>A.MIG-0125</b> RLM 04 GELB Gold Yellow	 <b>A.MIG-0231</b> RLM 65 Hellblau	 <b>A.MIG-0233</b> RLM 71 Dunkelgrün	 <b>A.MIG-0254</b> RLM 75 Grauviolett



### WEATHERING STEPS WITH AMMO PRODUCTS

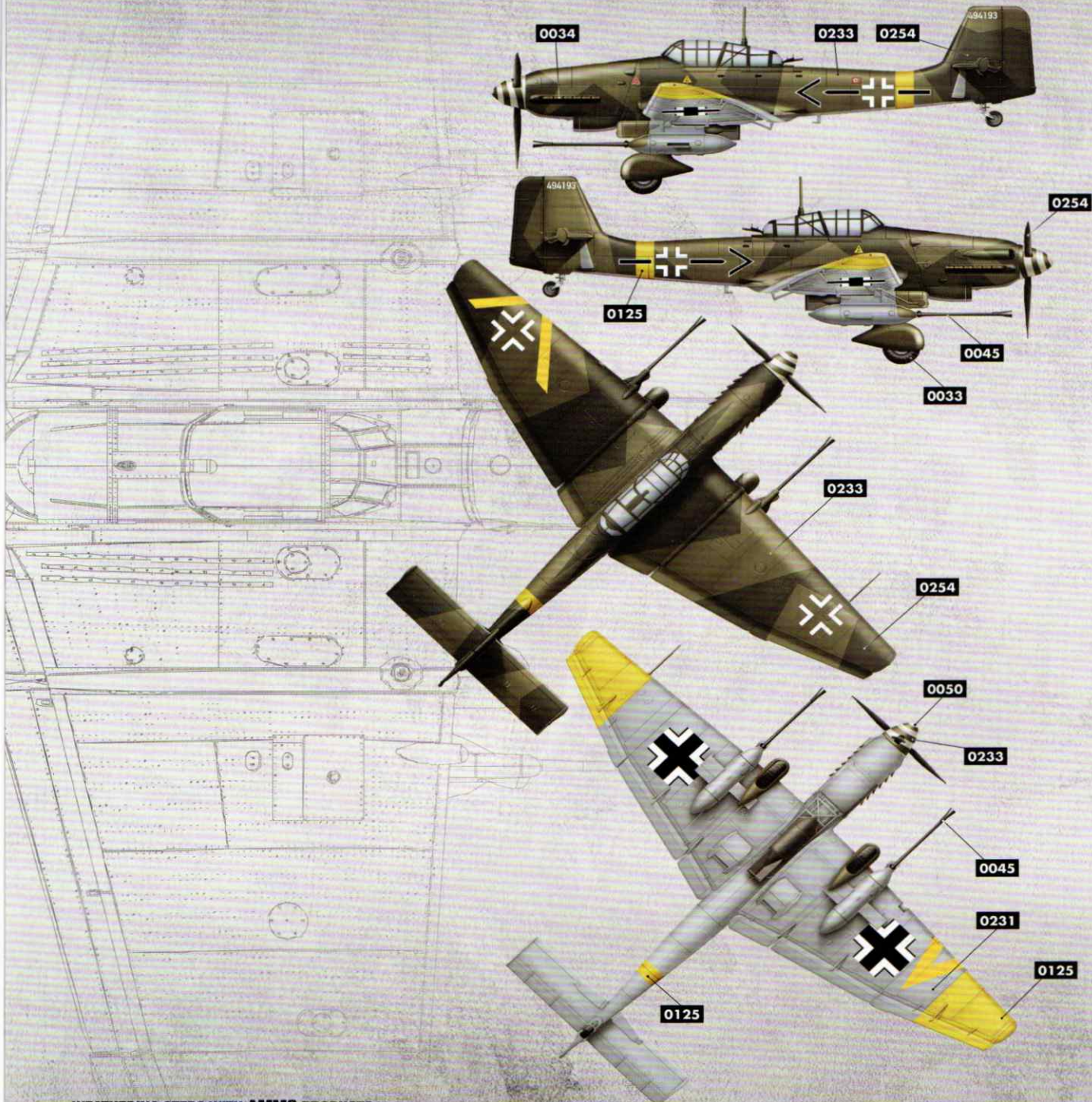
<b>1 COCKPIT</b> <b>A.MIG-0218</b> Enamel Odourless Thinner	<b>3 PLW RLM 65</b> <b>A.MIG-1613</b> Panel Line Wash Blue Grey	<b>5 PLW RLM 71</b> <b>A.MIG-1612</b> Panel Line Wash Green Brown	<b>7 SHADERS RLM 70</b> <b>A.MIG-0858</b> Ash Black Shader	<b>9 PIGMENTS</b> <b>A.MIG-3014</b> Russian Earth
<b>2 INTERIOR WASH</b> <b>A.MIG-1008</b> Dark Wash	<b>4 PLW RLM 70</b> <b>A.MIG-1618</b> Panel Line Wash Deep Brown	<b>6 SHADERS RLM 65</b> <b>A.MIG-0861</b> Marine Blue Shader	<b>8 SHADERS RLM 71</b> <b>A.MIG-0866</b> Dark Green Shader	<b>10 FUEL STAINS</b> <b>A.MIG-1253</b> Streakingbrusher Grime

# JU87G STUKA

## PAINTING AND MARKING GUIDE

**BORDER MODEL REF: XXXXX** 1944. RUDEL. JU87 G-2 without Zvastika

- A.MIG-0033** Rubber & Tires
- A.MIG-0034** Rust Tracks
- A.MIG-0045** Gun Metal
- A.MIG-0050** Matt White
- A.MIG-0125** RLM 04 GELB Gold Yellow
- A.MIG-0231** RLM 65 Hellblau
- A.MIG-0233** RLM 71 Dunkelgrün
- A.MIG-0254** RLM 75 Grauviolet



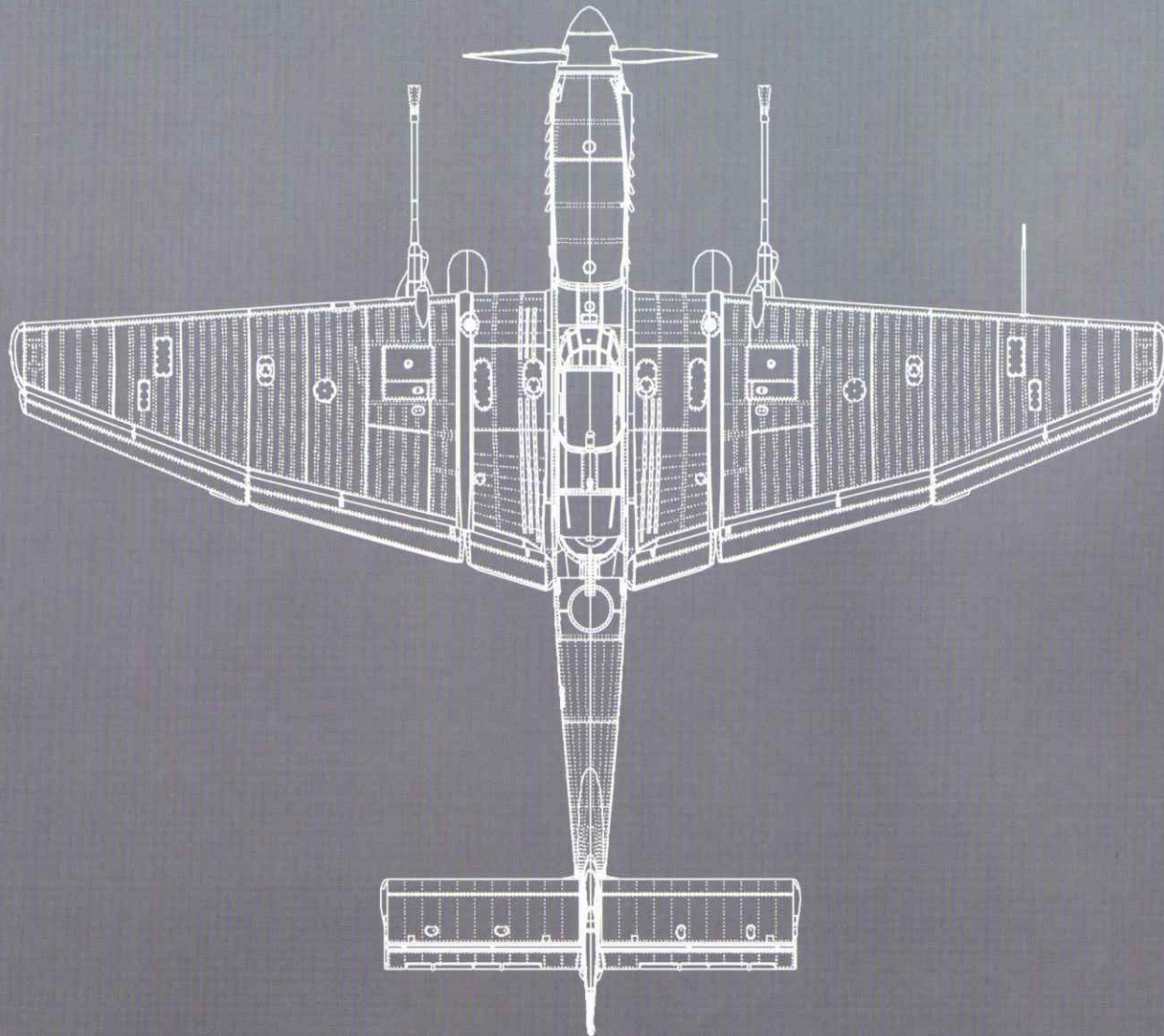
### WEATHERING STEPS WITH AMMO PRODUCTS

- |  |   |  |  |   |
|--|---|--|--|---|
| <p><b>1 COCKPIT</b><br/><b>A.MIG-0218</b> Enamel Odourless Thinner</p> | <p><b>3 PLW RLM 65</b><br/><b>A.MIG-1613</b> Panel Line Wash Blue Grey</p>  | <p><b>5 PLW RLM 71</b><br/><b>A.MIG-1612</b> Panel Line Wash Green Brown</p> | <p><b>7 SHADERS RLM 70</b><br/><b>A.MIG-0858</b> Ash Black Shader</p>  | <p><b>9 PIGMENTS</b><br/><b>A.MIG-3014</b> Russian Earth</p>              |
| <p><b>2 INTERIOR WASH</b><br/><b>A.MIG-1008</b> Dark Wash</p>          | <p><b>4 PLW RLM 70</b><br/><b>A.MIG-1618</b> Panel Line Wash Deep Brown</p> | <p><b>6 SHADERS RLM 65</b><br/><b>A.MIG-0861</b> Marine Blue Shader</p>      | <p><b>8 SHADERS RLM 71</b><br/><b>A.MIG-0866</b> Dark Green Shader</p> | <p><b>10 FUEL STAINS</b><br/><b>A.MIG-1253</b> Streakingbrusher Grime</p> |

# BORDER MODEL PRESENT REPLACEMENT LINE ENGRAVER



# BORDER MODEL BF002 Ju87 STUKA



[WWW.BORDERMODEL.COM](http://WWW.BORDERMODEL.COM)