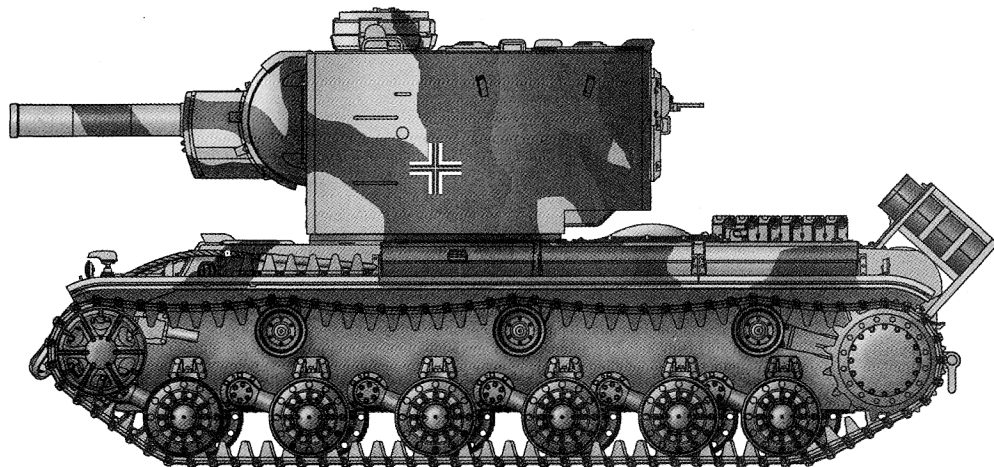


German Pz.Kpfm KV-2 754(r) Tank

德国缴获KV-2 754(r)坦克



READ BEFORE ASSEMBLY:

- This kit is not recommended for inexperienced modelers or for children under 14 years of age
- Study and understand these instructions thoroughly before beginning assembly
- When needed, remove photo-etch parts carefully using a modeling knife or photo etch sprue cutter, being careful not to damage or lose small parts.
- Take extra care in handling photo etch parts in order to avoid injury
- Apply instant cement sparingly to photo etch parts where instructed
- Tools recommended(not included in kit):Plastic and instant cements,sprue cutters,long nose pliers,,modeling knife, small files, tweezers, pin vise & scissors. Soft cloth and sandpaper will also assist in construction
- Glue and paint are not included in the kit. Use plastic cement and hobby paints only. Color guide for purchasing paint is included in the kit.
- Keep out of reach of small children. They must not be allowed to ingest small parts or handle plastic bags in any way.

装配之前仔细阅读

- 小心用模型锉刀锉平所有零件表面的注射浇口。
- 小心用刀片切下蚀刻片零件，不要遗失小零件。
- 用强力快干胶水粘合蚀刻片零件和金属轴。过量的快干胶水使用可能导致可动零件会粘住，小心涂胶。
- 取蚀刻片时应特别注意安全，防止利边划伤手指。
- 某些零件表面需贴水上贴纸，请选择在装配的同时进行。
- 推荐模型工具(自备)：胶水，水口剪刀，长咀钳，刀片，锉刀，镊子，钳，钻，剪刀，瞬间快干胶。
- 软布同砂纸同时也应该是必备工具。
- 请使用塑料胶水和油漆，模型内不含。
- 谨防小孩吸吮塑料零件，或者将塑料袋套在头上，制作时应将套材远离小孩接触。
- 本产品不适合14岁以下没有经验的模型爱好者。



cyanoacrylate glue
使用强力胶



weight
配重



make hole
钻孔



cut / remove
切除



bend
弯曲



file / sand
锉平



option
选择



no cement
不涂胶水



decal
贴纸

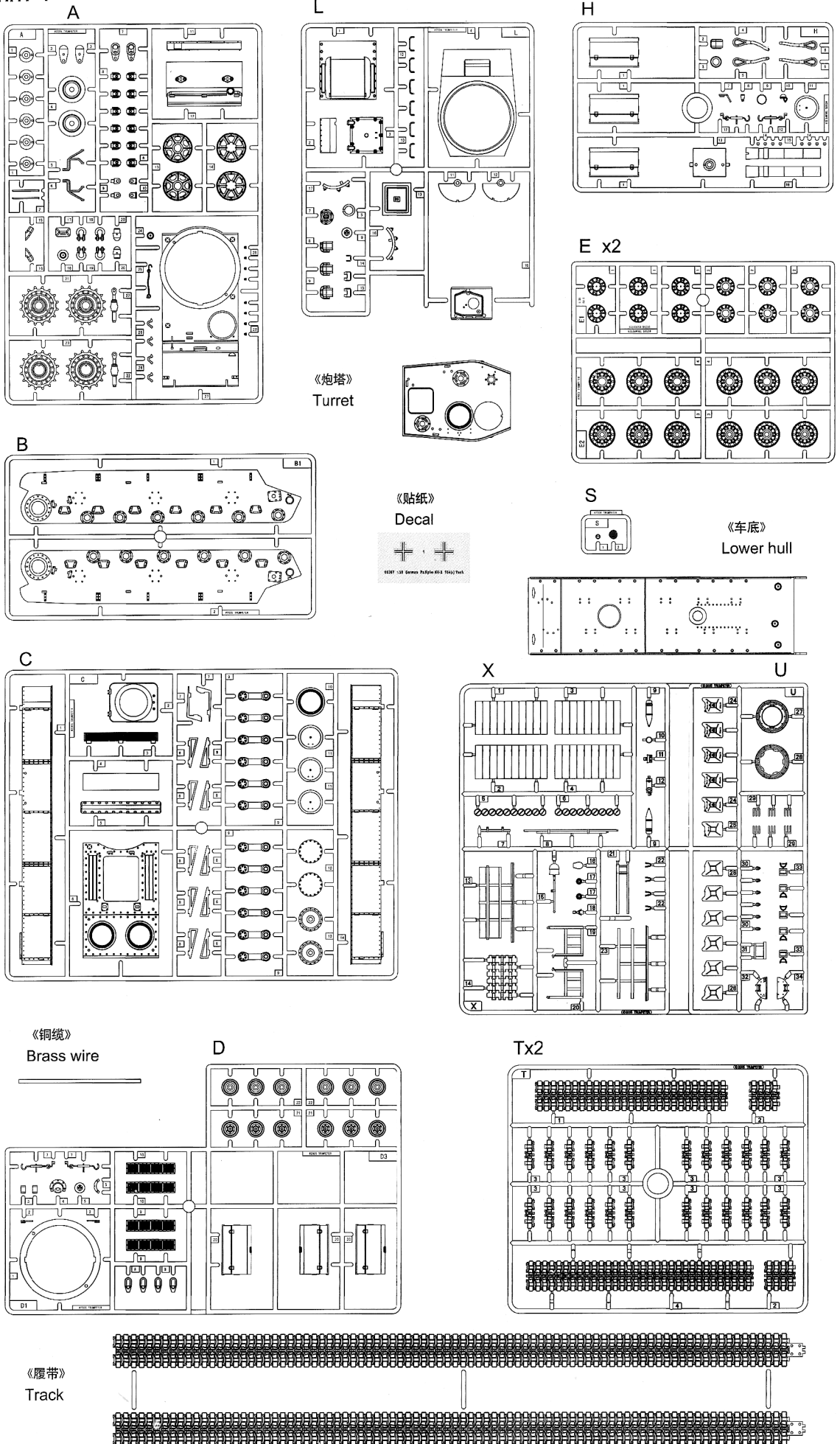
水贴纸的使用:

1. 从水贴上剪下印花;
2. 将印花放入温水中浸10秒, 然后放在干净布上。
3. 拿着印花纸板将印花移到模型上;
4. 手指蘸水将印花移到适当的位置;
5. 用软布轻压印花直至水干, 气泡消失。

DECAL APPLICATION

1. Cut off decal from sheet.
2. Dip the decal in tepid water 40°C for about 10 sec. and place on a clean cloth.
3. Hold the backing sheet edge and slide decal onto the model.
4. Move decal into position by wetting decal with finger.
5. Press decal gently down with a soft cloth until excess water and air bubbles are gone.
6. Allow decal to dry completely before handling model.

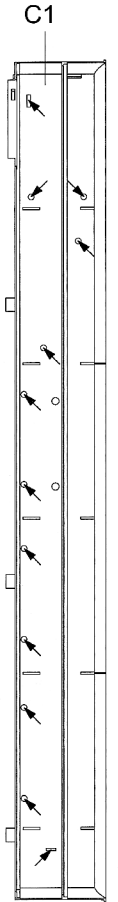
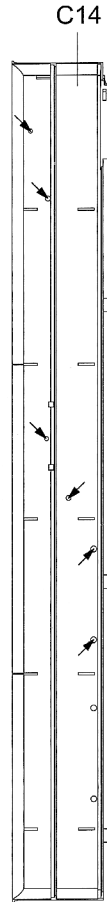
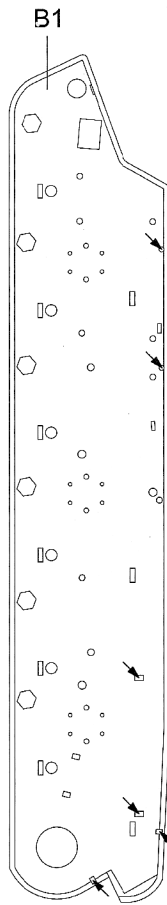
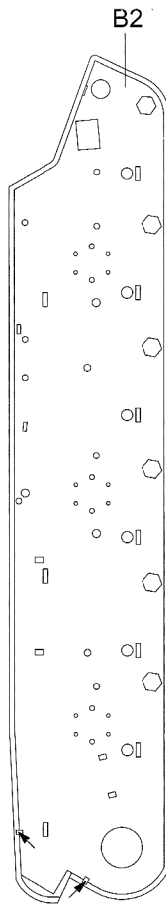
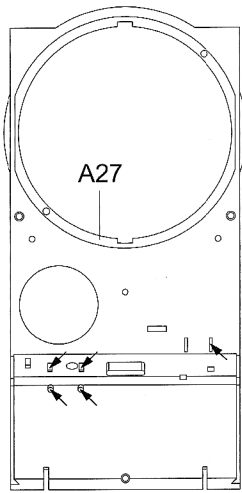
部品图 Parts



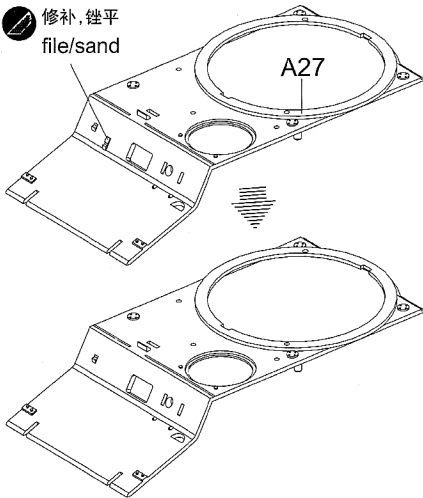
No used parts:

不用部品: A2、A18、A20、D7X2、D8X4、D9X2、D20X2、H8、H9、H10、H12X2、H14X8、U9、S2

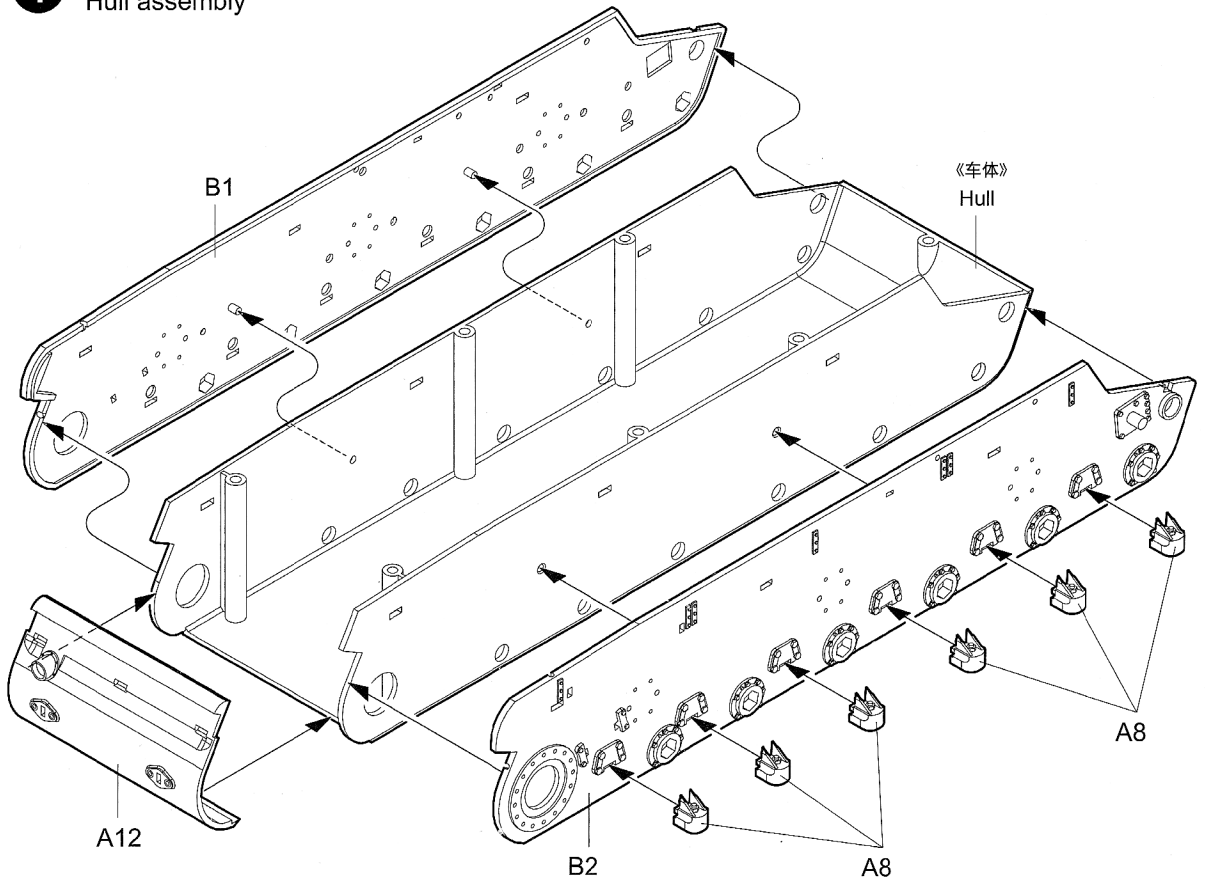
① 钻穿图中指示的孔位
Make holes



② 修补, 锉平
file/sand

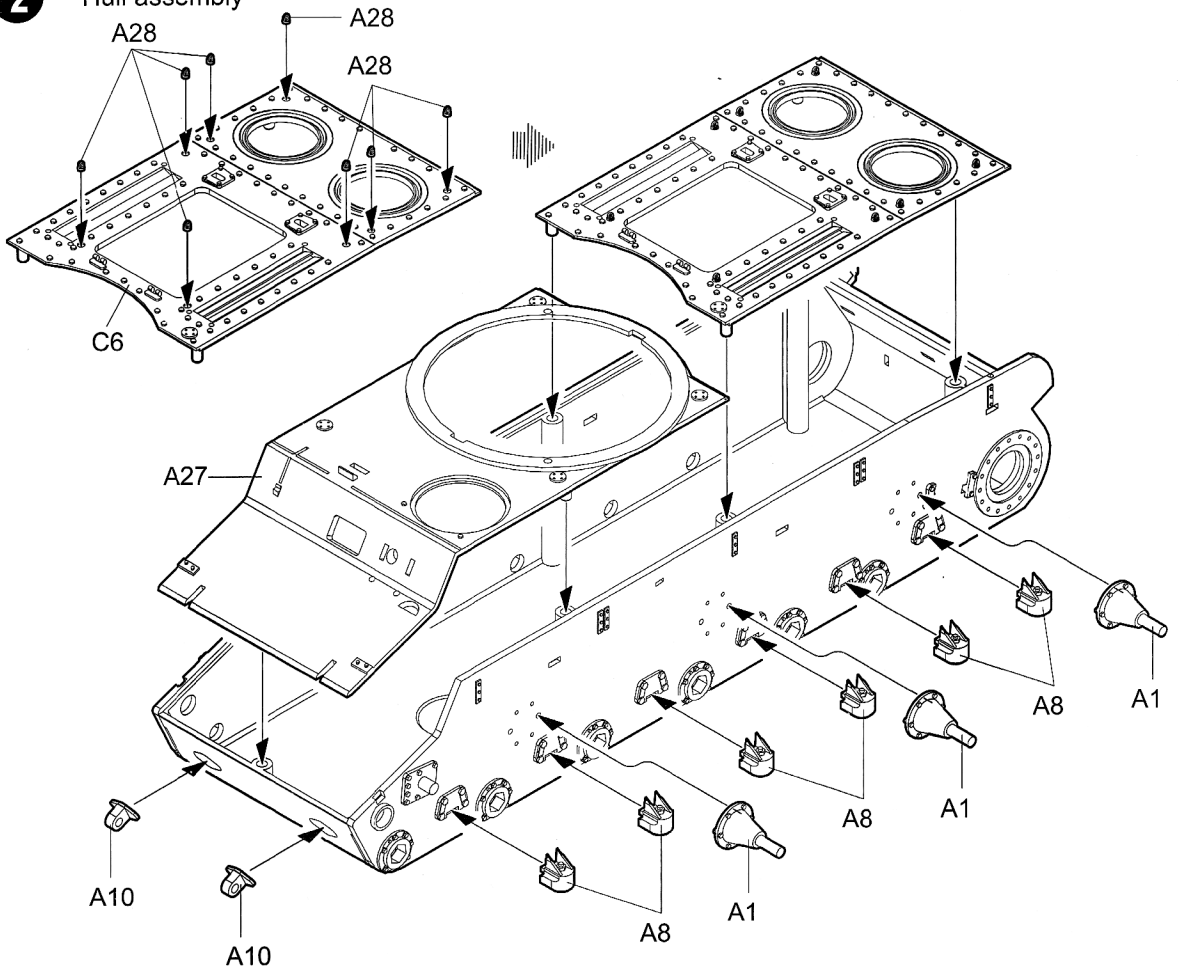


① 车体组装
Hull assembly



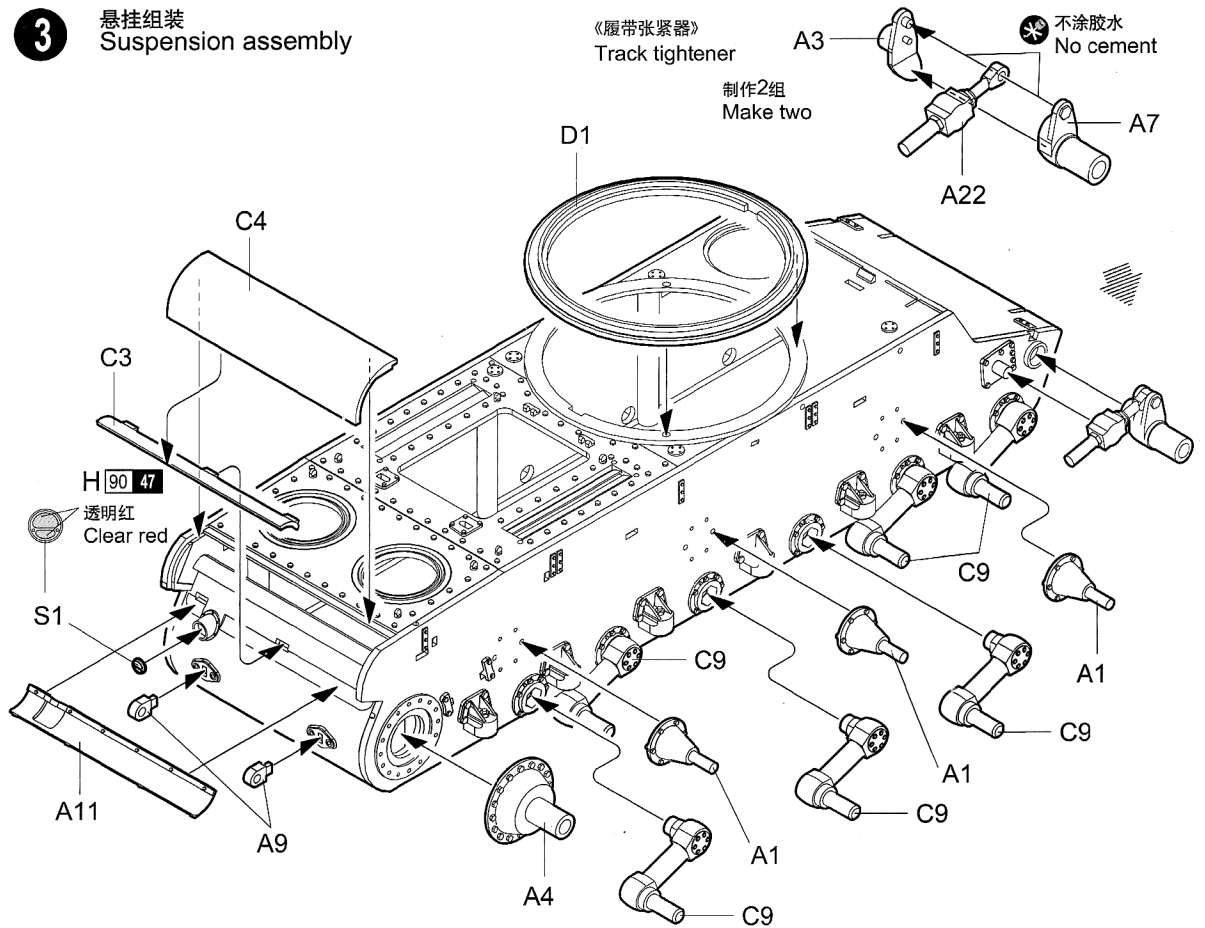
2

车体组装
Hull assembly

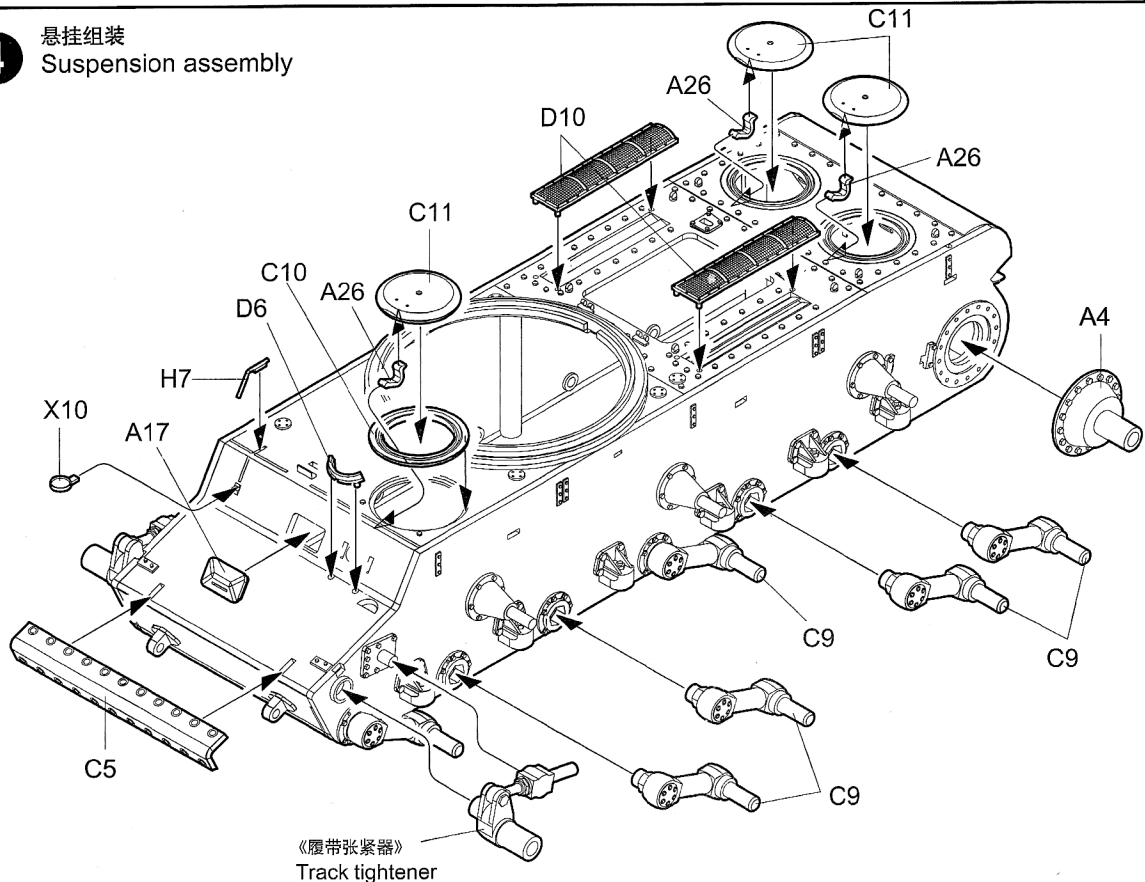


3

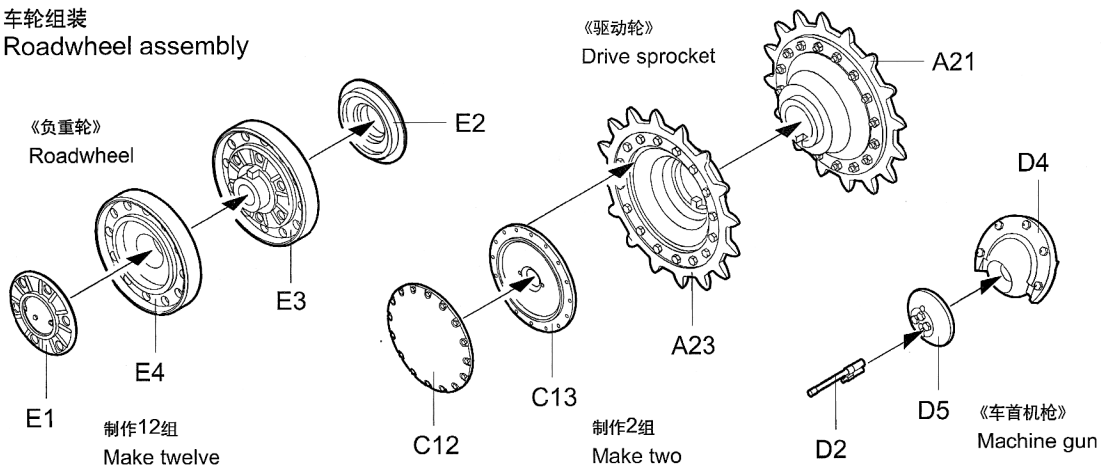
悬挂组装
Suspension assembly



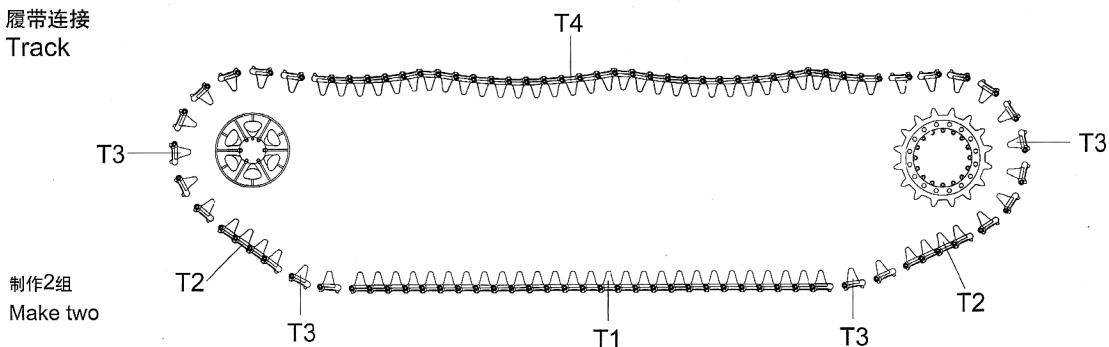
4 悬挂组装
Suspension assembly



5 车轮组装
Roadwheel assembly



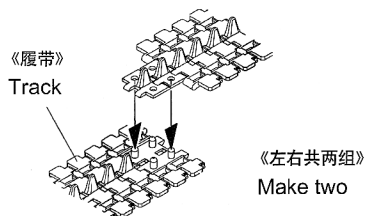
6 履带连接
Track



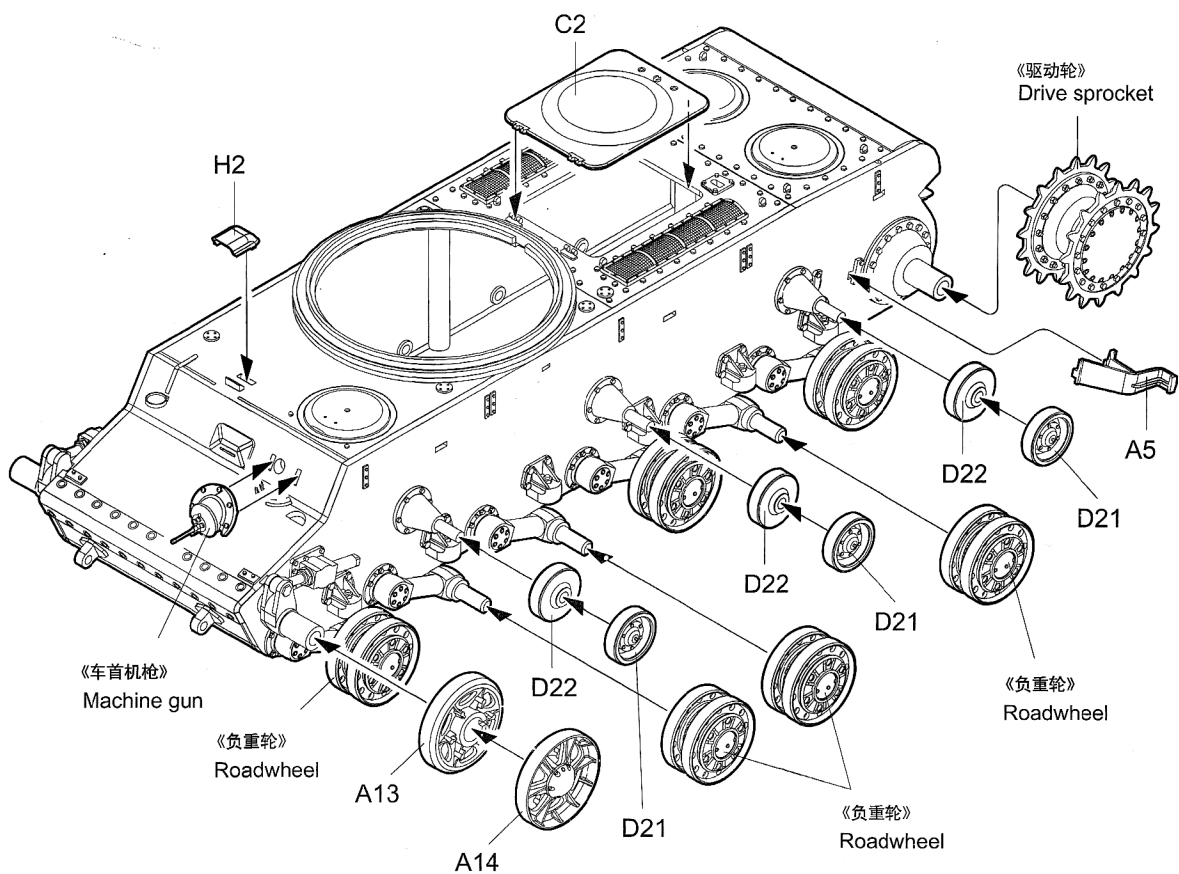
? 可选择
Option

定位好履带后加热软化接头并压紧；
如果履带断裂，用细铜丝连接固定。

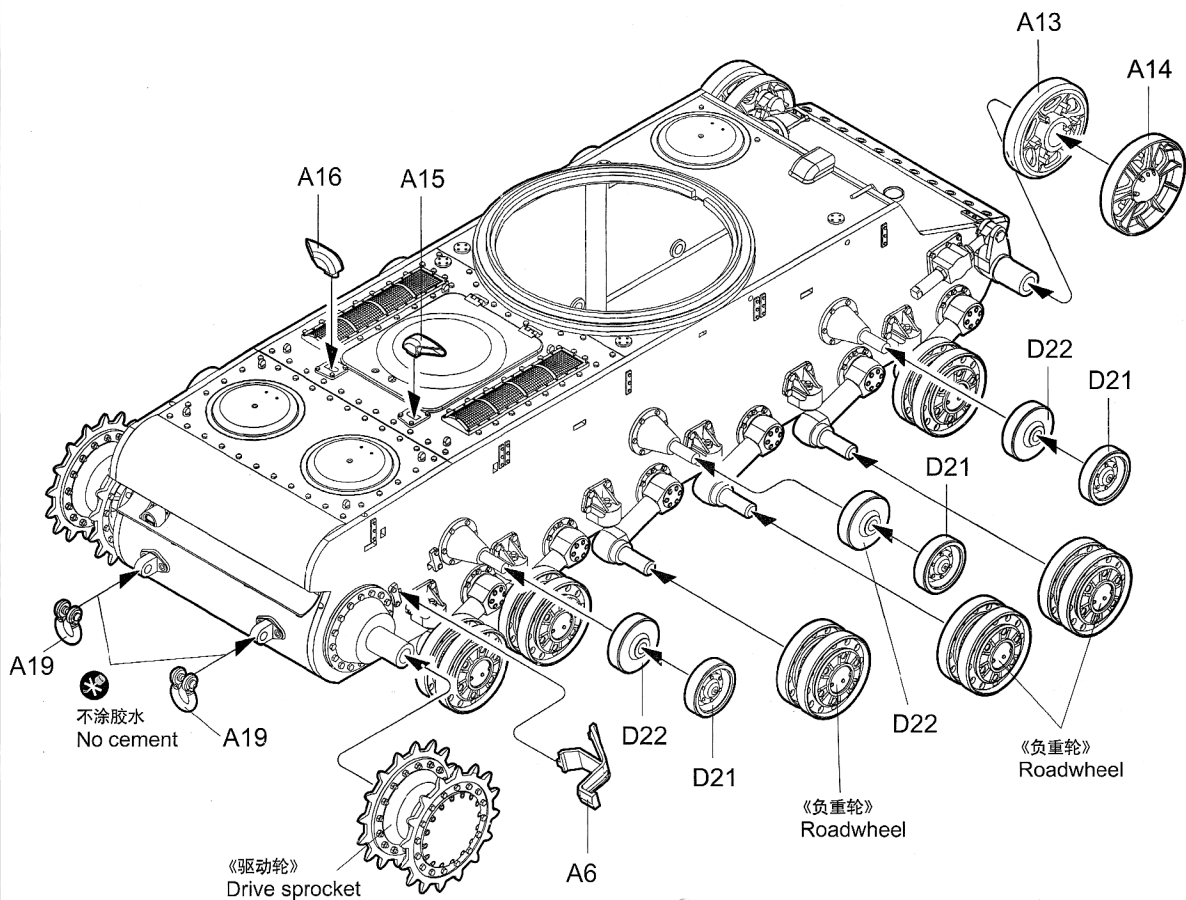
Melt pin heads carefully with a heated nail etc.
Immediately press pin heads with your finger;
If track is broken strengthen with staples or thread.



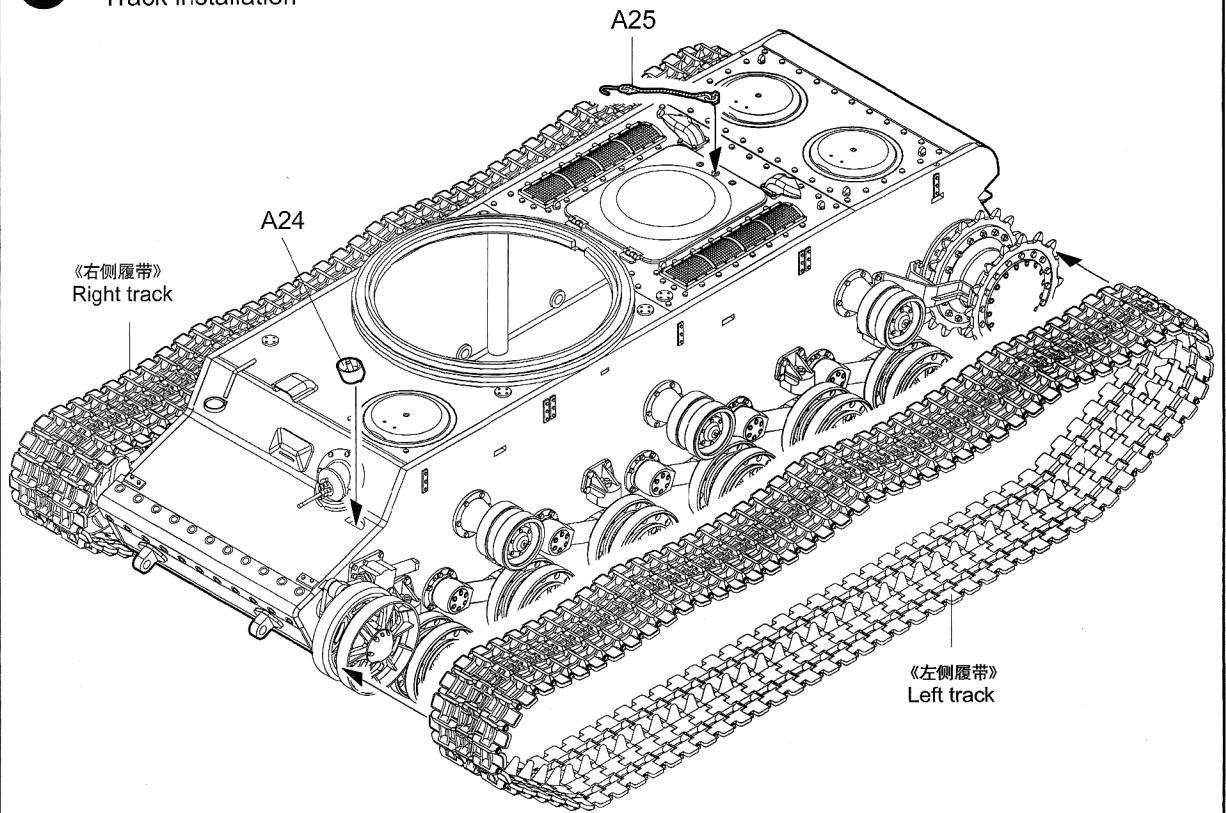
7 车轮安装
Roadwheel installation



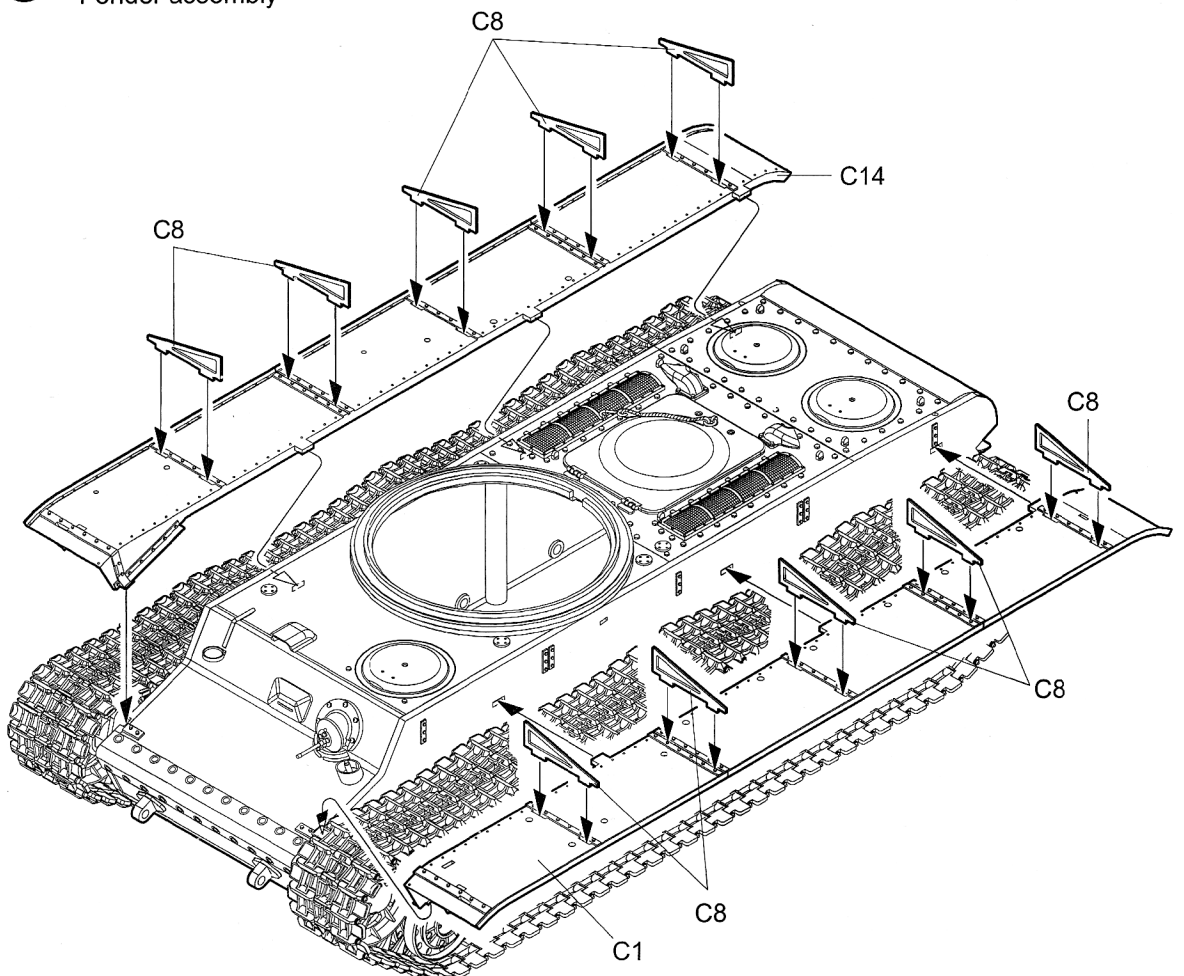
8 车轮安装
Roadwheel installation



9 履带安装
Track installation



10 翼子板组装
Fender assembly

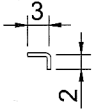


自备铜线材料制作灯线

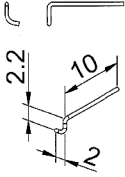
Make wires from materials such as brass wire

《A》 \varnothing 0.5 x5mm

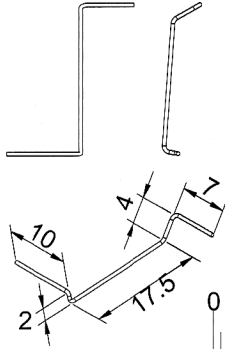
《全尺寸》
Full size



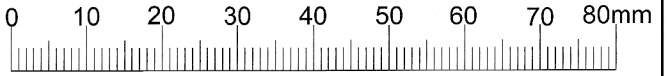
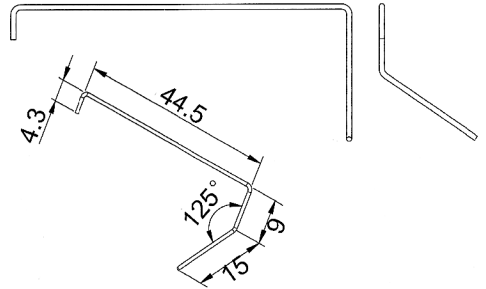
《B》 \varnothing 0.5 x13.5mm



《C》 \varnothing 0.5 x40mm

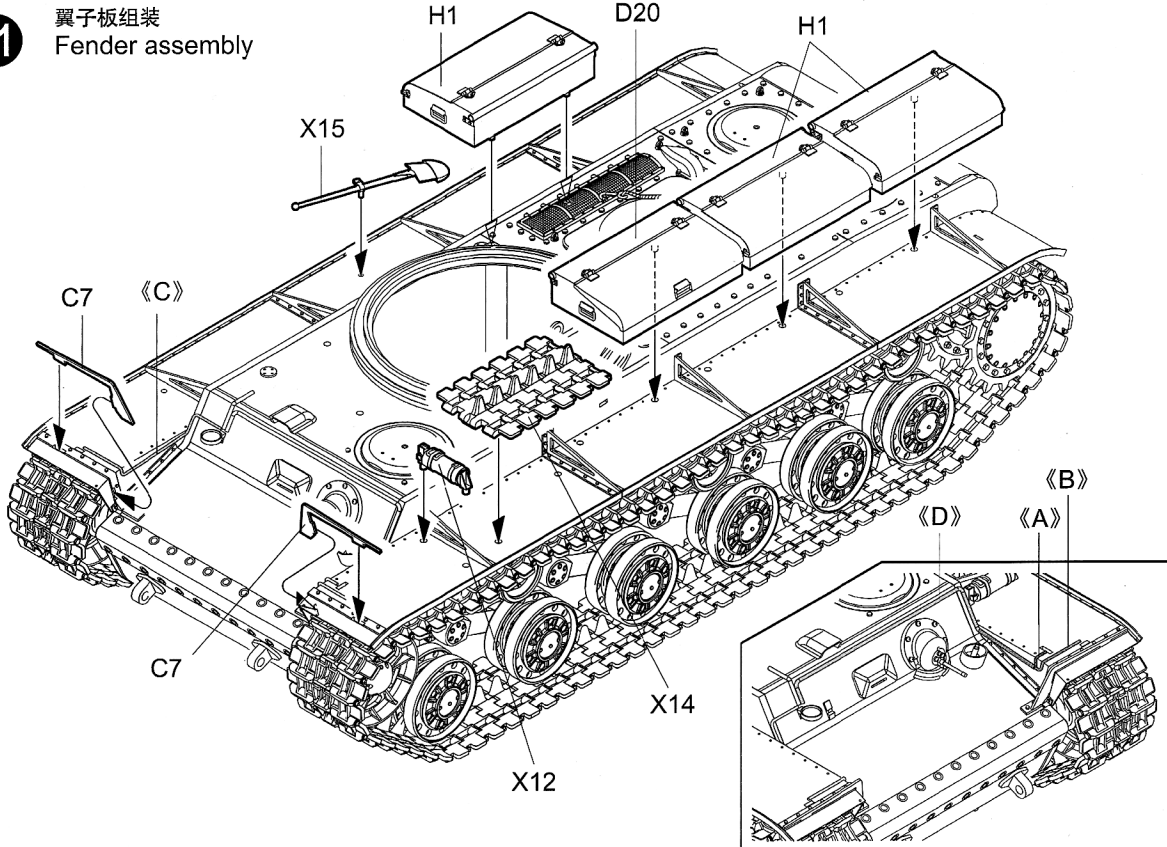


《D》 \varnothing 0.7 x72mm



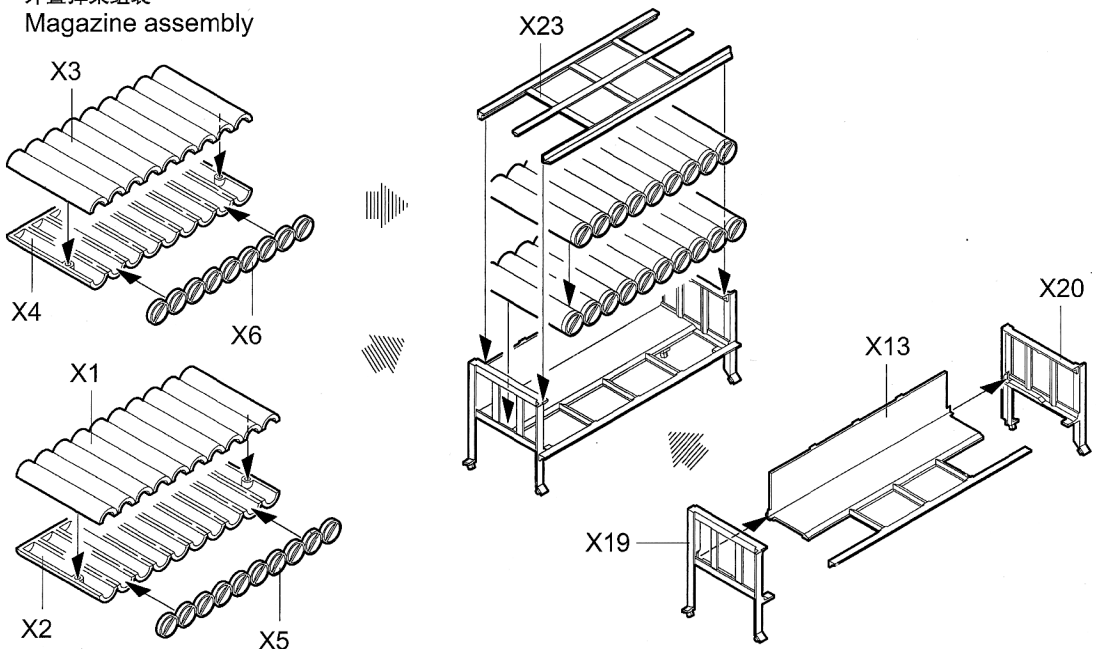
11

翼子板组装
Fender assembly

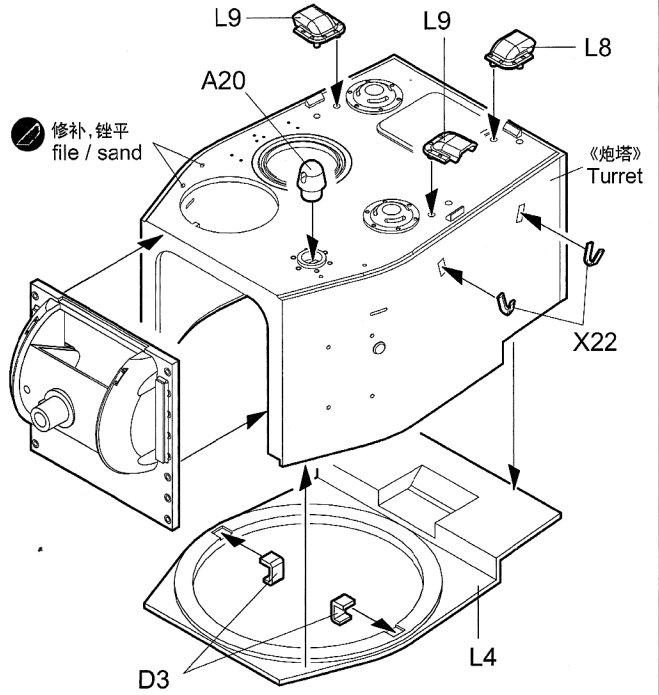
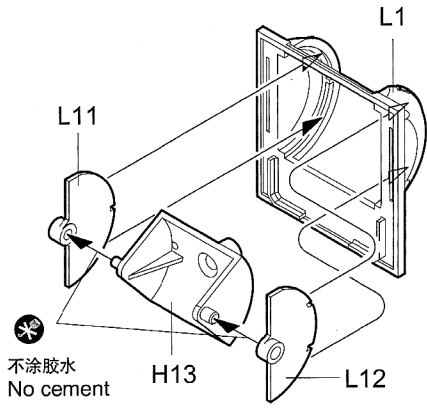


12

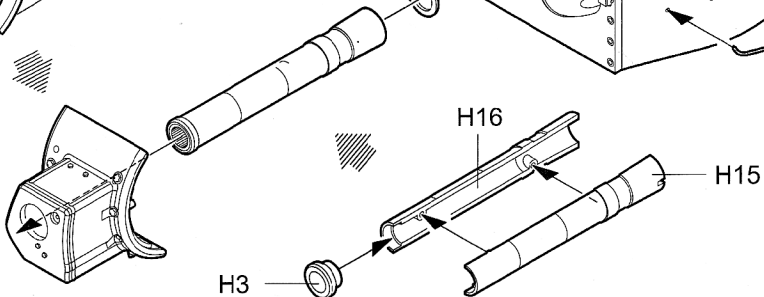
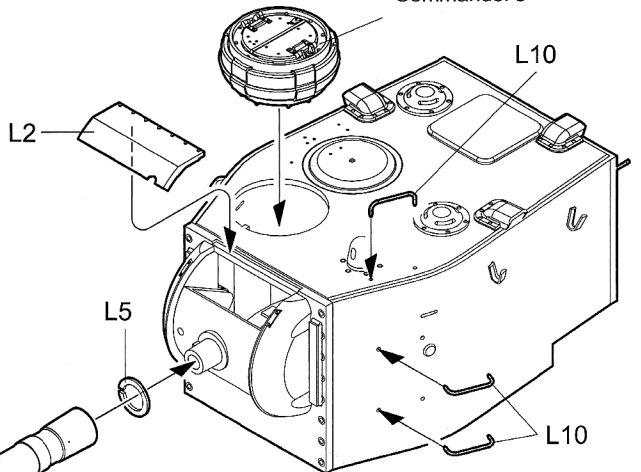
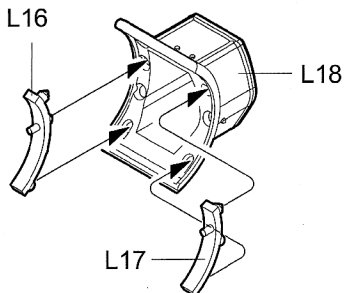
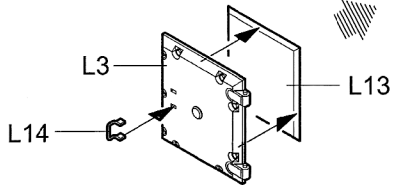
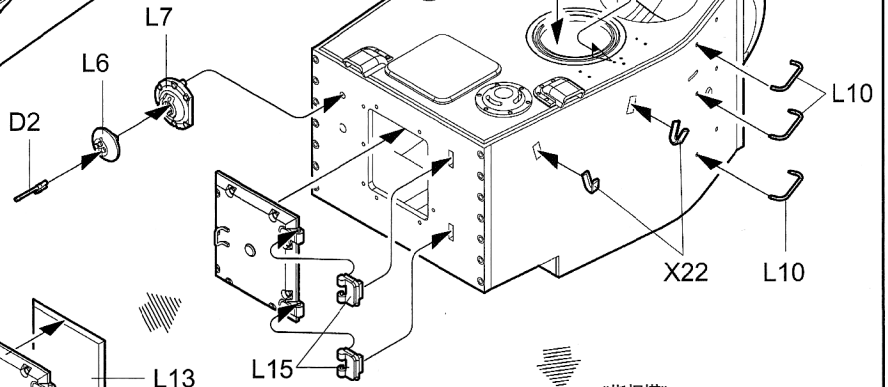
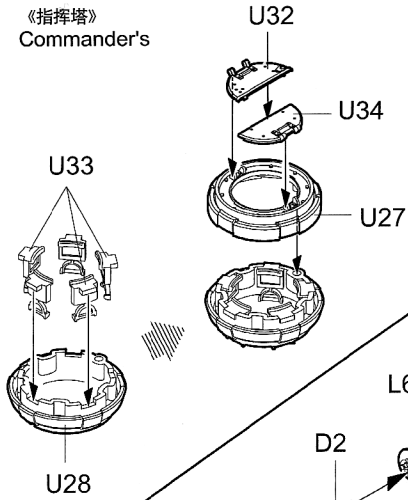
外置弹架组装
Magazine assembly



13 炮塔组装
Turret assembly

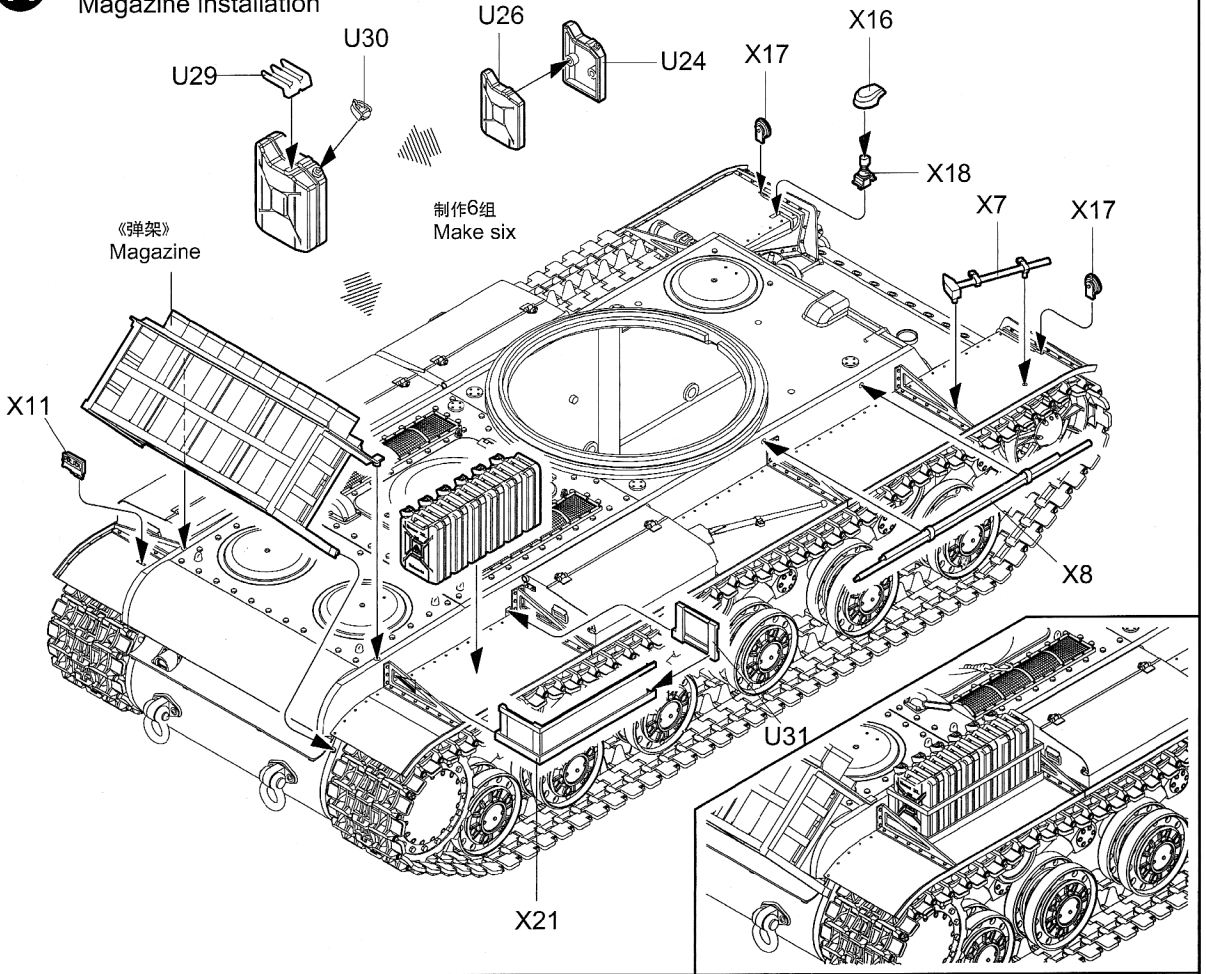


《指挥塔》
Commander's



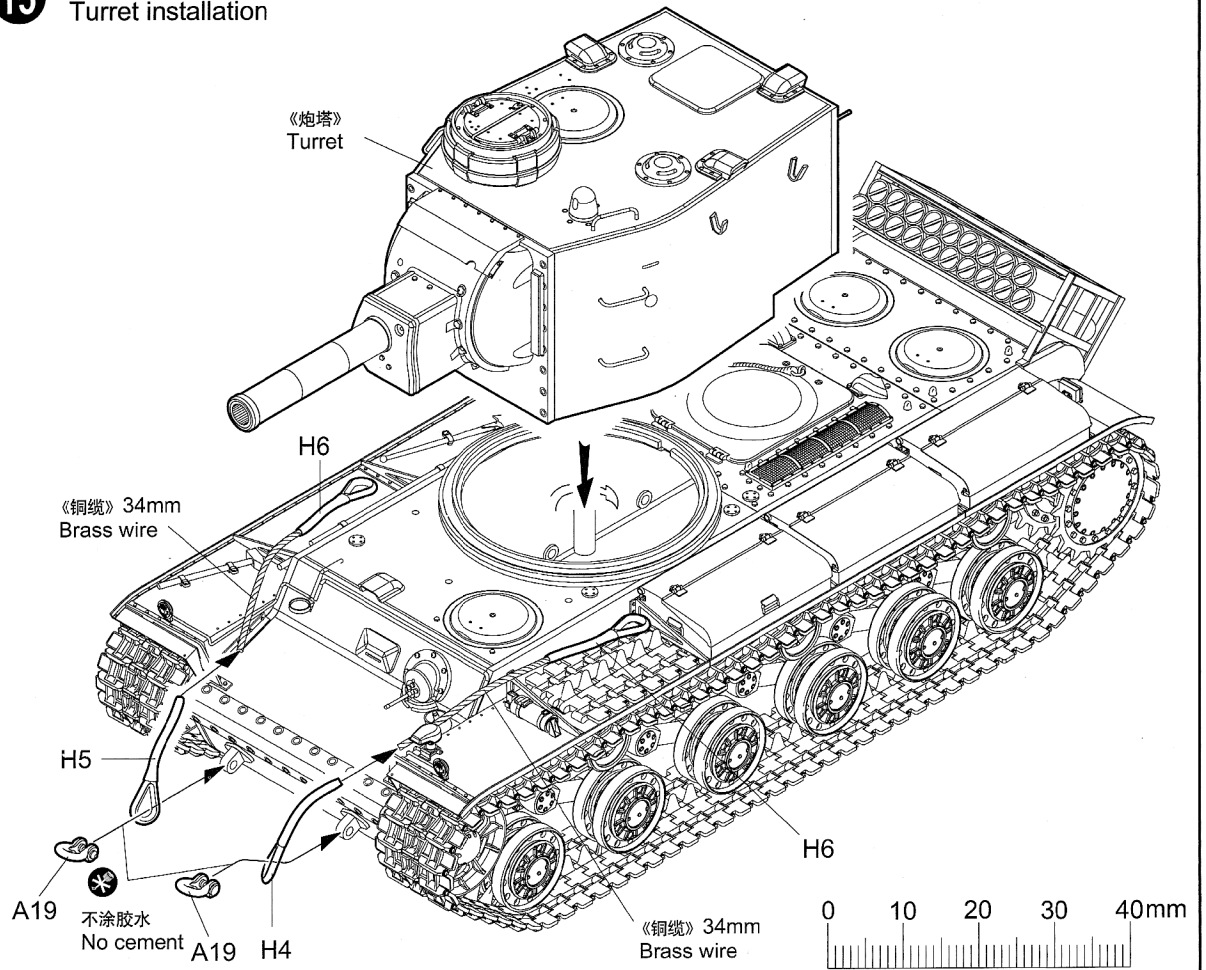
14

外置弹架安装
Magazine installation



15

炮塔安装
Turret installation



涂装同标贴指示
Painting & Marking guide

使用郡仕公司涂料
Gunze Sangyo Mr. colors used

