

**71
PARTS**

**PAINT TIRES BLACK
PAINT WHEELS SILVER**

**PAINT HANDS AND FACE FLESH COLOR
PAINT PILOTS UNIFORM BLUEGRAY**

DECALS

ASSEMBLY PLANS FOR THE . . .

MESSERSCHMITT ME-262 KIT NO. 538

**PAINT GUNS
BLACK**

**PAINT MECHANIC'S
UNIFORM
BLUEGRAY**

61 MECHANIC

**MESSERSCHMITT
ME-262
STORMBIRD**

**the
LINDBERG
line**[®]

ESTABLISHED SINCE 1933

**FAMOUS THE
WORLD OVER**

**LINDBERG PRODUCTS INC.,
SKOKIE, ILLINOIS**

The ME-262 was the first operational jet combat aircraft. The initial design was started in 1938 and by the summer of 1941 it made its first flight powered by a Jumo 211 piston engine. The ME-262 made its first all-jet flight on July 18, 1942 powered by two 1,850 lbs. thrust Junkers Jumo 004A turbojets. This aircraft underwent many changes during its development, ranging from an originally designed fighter to bomber; including an all-weather radar fighter, photo plane, reconnaissance plane, and many other variants. Approximately 100 out of total of (1,433) produced, participated in operations. Those that saw combat were remarkably successful. Wing span 40' 11½", length 34' 9½", height 12' 7". Armament on production model was four 30 mm MK 108 cannon in the nose. Powered by two Junkers Jumo 109-004B-1, B-2, or B-3 1,980 lb. thrust turbojets with a maximum speed of 538 m.p.h.

ASSEMBLY SUGGESTION

While cementing, scotch tape, masking tape or rubber bands may be used to hold parts in position as they dry.

EASY TO A

3 GUN RETAINER
2 RIGHT NOSE GUN

4 GUN PLATFORM

1 LEFT NOSE GUN

GUN ASSEMBLY

1

Cement left (1) and right (2) nose guns and gun retainer (3) to gun platform (4).

5 RIGHT GUN INSPECTION DOOR

GUN ASSEMBLY

6 RIGHT BODY HALF

7 INSTRUMENT PANEL

9 NOSE DOOR
RETAINER

8 NOSE GEAR DOOR

2

Place right gun inspection door (5) into right body half (6). Cement gun assembly and instrument panel (7) in right body half. Place nose gear door (8) into right body half and cement nose door retainer (9) in place.

13 FRONT NOSE GEAR DOOR

ASSEMBLED NOSE GEAR

12 NOSE
STRUT

11 NOSE WHEEL

10 NOSE SWIVEL

FOR BEST
ASSEMBLY RESULTS USE
LINDBERG PLASTIC CEMENT

3

Press nose swivel (10) and nose wheel (11) onto nose strut (12). Cement front nose gear door (13) to swivel.

TRIM OFF EXCESS FLASH FROM ALL PIECES BEFORE ASSEMBLING. USE SINGLE EDGE RAZOR BLADE OR KNIFE. CUT CAREFULLY.

6 RIGHT BODY HALF

NOSE GEAR

DO NOT CEMENT
FIN TIPS. SEE
STEP FIVE.

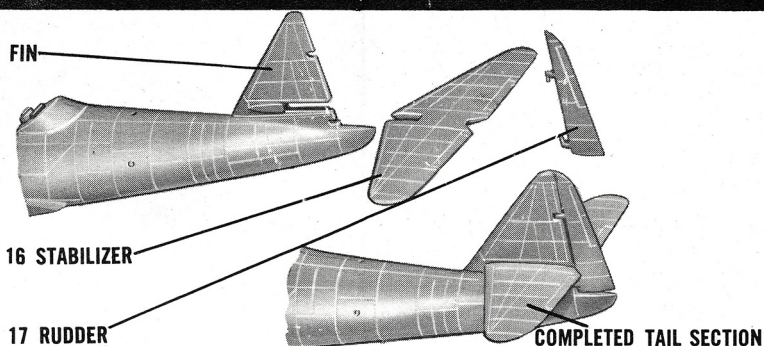
14 LEFT GUN
INSPECTION DOOR

15 LEFT BODY HALF

4

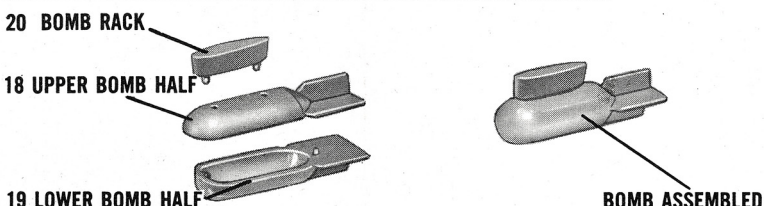
Place nose gear in position in right body half (6). Place left gun inspection door (14) in left body half (15). Cement left body half to right body half making sure all parts line up.

ASSEMBLE STEP BY STEP INS

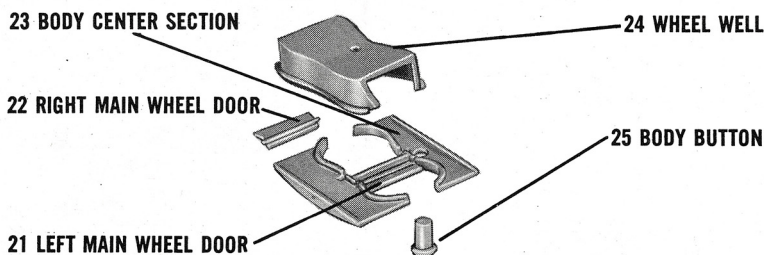


5 Cement stabilizer (16) to fin. Open up fin tips, slide rudder (17) in place and cement tips together.

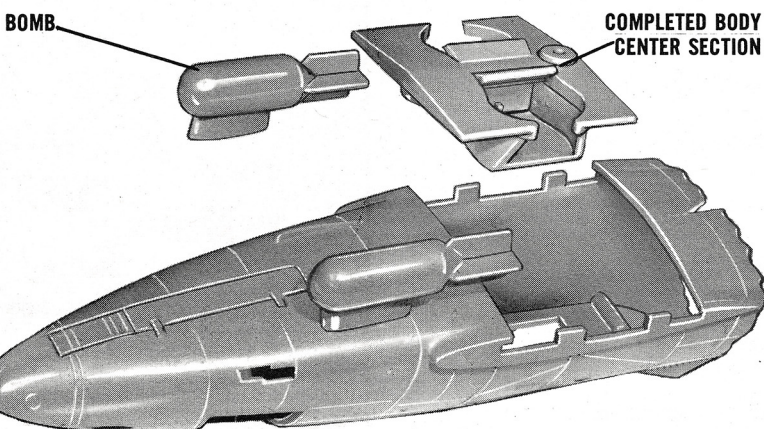
USE ENAMEL OR PLASTIC PAINTS ONLY.
DO NOT USE LACQUER PAINT
MATERIALS AS THESE CRAZE THE PLASTIC.



6 Cement upper (18) and lower (19) bomb halves, bomb racks (20) together.

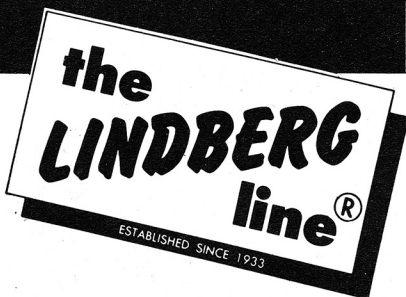


7 Place left (21) and right (22) main wheel doors into body center section (23). Cement wheel well (24) and body button (25) to center section.

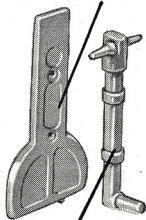


8 Cement body center section and bombs to body.

INSTRUCTIONS



26 RIGHT MAIN GEAR COVER



28 MAIN STRUT

29 MAIN WHEEL

9

Cement right main gear cover (26) to main strut (28). Press main wheel (29) onto axle. Repeat assembly for left main gear.

33 UPPER RIGHT WING PANEL

32 AILERON

30 LOWER RIGHT WING PANEL

ASSEMBLED
RIGHT
MAIN GEAR

10

Place right main gear into lower right wing panel (30). Place aileron (32) in position and cement upper right wing panel (33) to lower right wing panel. Repeat assembly for left wing.

35 RIGHT JET ENGINE HALF

40 TAIL RING

39 NOSE CONE

36 RIGHT JET ENGINE HALF

11

Cement right jet engine halves (35) (36), nose cone (39) and tail ring (40) together. Repeat assembly for left jet engine.

41 RIGHT JET ENGINE INSPECTION DOOR

R43 RIGHT OUTBOARD
NACELLE HALF

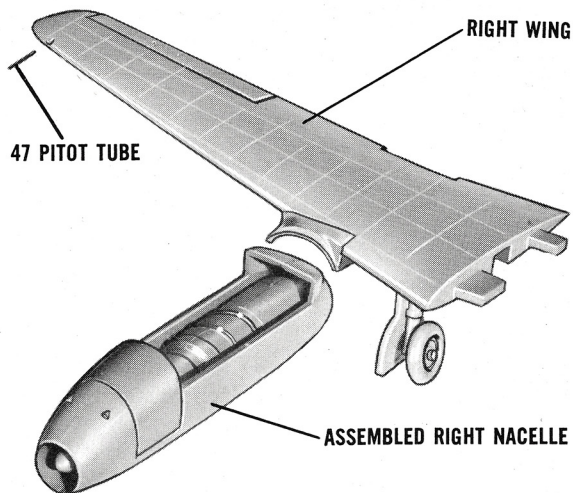
COMPLETED JET ENGINE

R44 RIGHT INBOARD NACELLE HALF

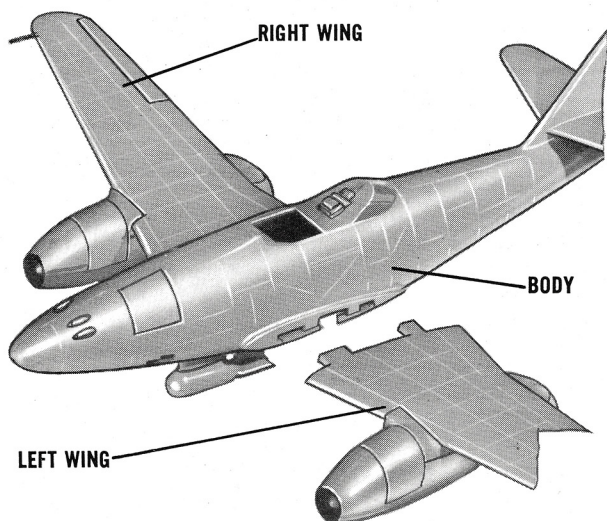
12

Place right jet engine inspection door (41) into right outboard nacelle half (R43) and cement right jet engine in place. Cement right inboard nacelle half (R44) to right outboard nacelle half (R43). Repeat assembly for left jet engine nacelle.

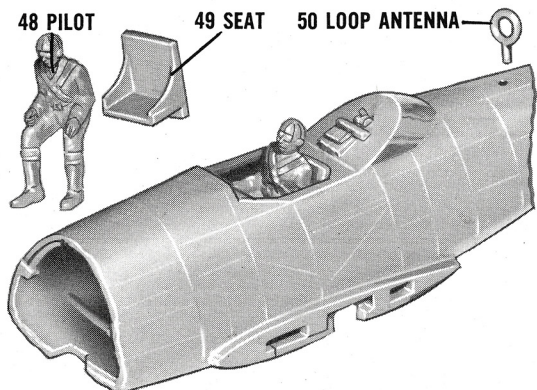
**LOOK FOR OTHER LINDBERG MODELS
AT YOUR LOCAL DEALER**



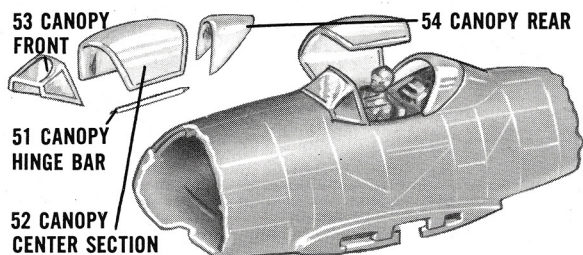
13 Cement assembled right nacelle to right wing. Cement pitot tube (47) to right wing. Repeat assembly for left wing.



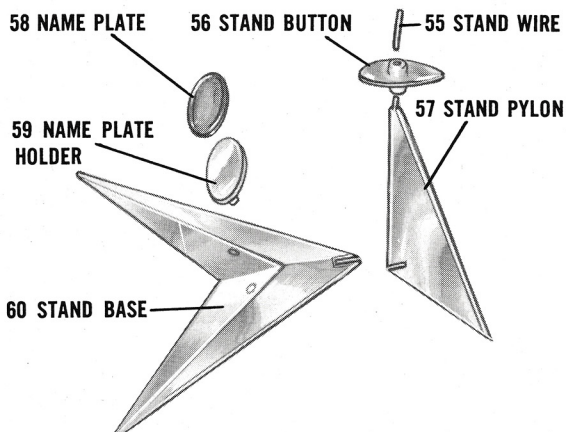
14 Cement left and right wings to body.



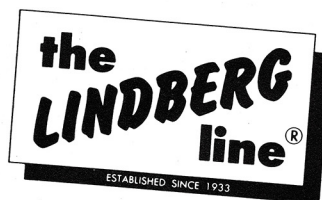
15 Cement pilot (48) to seat (49) and into cockpit. Cement loop antenna (50) to body.



16 Cement canopy hinge bar (51) to canopy center section (52). Cement canopy front (53) to cockpit, place canopy center section in position and cement canopy rear (54) in place.



17 Press stand wire (55) into stand button (56). Cement stand button to top of stand pylon (57). Cement stand pylon, name plate (58) and name plate holder (59) to stand base. (60).



**GET MORE
WHEN YOU BUY
LINDBERG MODELS**

NOW AVAILABLE!

The complete LINDBERG LINE 20-page catalog with all models in beautiful colors. Send 15c in coin to cover postage and special handling to

LINDBERG PRODUCTS, INC., SKOKIE, ILLINOIS