

## FINISHING YOUR MODEL

### PAINTING

A realistic and attractive model can be completed without painting. However, if you wish to paint additional details, suggestions are given here.

It is best to paint the parts as suggested in each step of the instructions. Only ENAMEL or PAINT FOR PLASTICS should be used. All colors used on this model should be semi-gloss unless otherwise specified. A small pointed brush is best for painting small parts. Larger areas are best covered with a soft brush about 1/4 inch wide. Allow sufficient time for paint to dry thoroughly before handling parts. Scrape away paint from areas which will be cemented because cement will not hold to painted surfaces.

**Light Grey** — Fuselage, 'N' struts, cabane struts, aileron linkage, landing gear, antenna, belly tank, wheels and engine face plate, stabilizer struts.

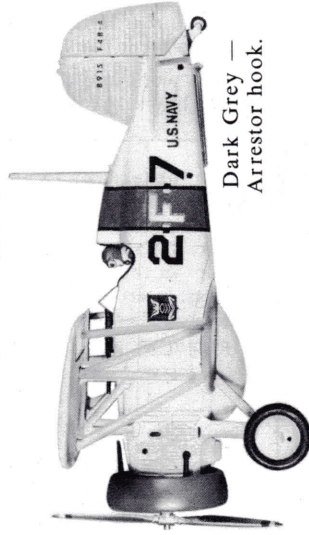
**Black** — Engine, tires, exhaust ring, exhaust pipe, headrest, gun sight, edging around cockpit and wing walks.

**Pilot** — Brown helmet, boots and jacket, tan collar and boot tops, light brown pants and gloves, white scarf and parachute straps, flesh face, silver goggles.

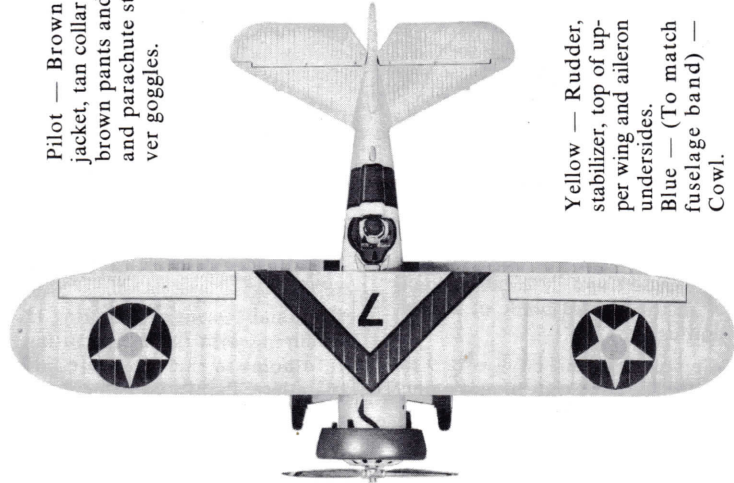
### DECALS

Refer to the photos for proper decal locations. To apply decals, select the item you wish to apply and cut it from the sheet. For a neat job work with one subject at a time and trim it close to the color outline. Dip the decal in water for a few moments until it slides easily on the paper backing. Next, slide the decal into correct position. After the decal is in correct position, press out trapped air bubbles and blot with a soft cloth. Before they are completely dry, decals should be pressed firmly against surface contours, such as rivets and lines.

The fuselage band has small center lines which should be centered on the bottom of the fuselage when applying this decal.



Dark Grey — Arrestor hook.

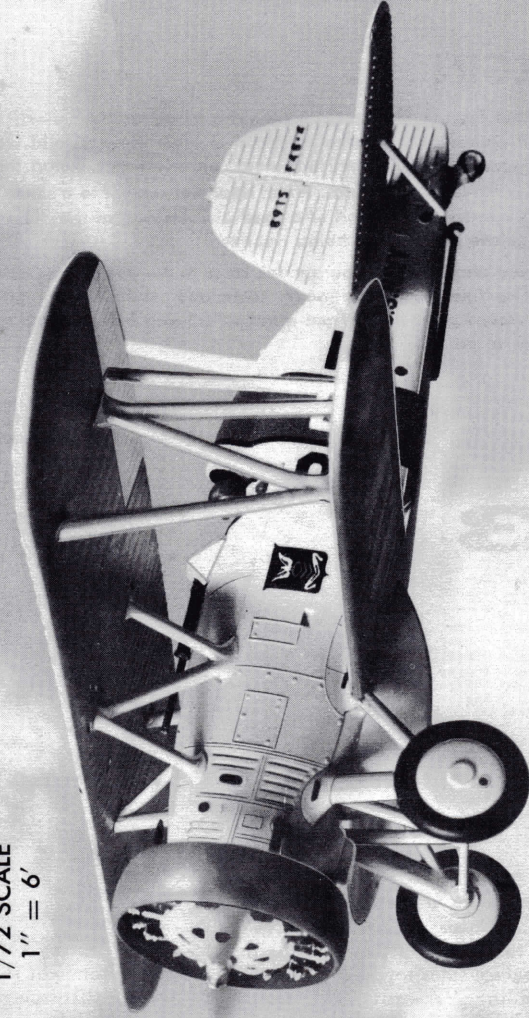


**Yellow** — Rudder, stabilizer, top of upper wing and aileron undersides.  
**Blue** — (To match fuselage band) — Cowl.

**Silver** — Underside of top wing (except ailerons), both surfaces of lower wing, propeller, engine push rods and cabane strut pads.

# BOEING F4B-4

1/72 SCALE  
1" = 6'



**Monogram**

quality hobby kits

KIT PA209

This classic aircraft of the early 1930's was one of the most maneuverable planes ever built. The combination of all-around performance and ruggedness made this fighter a favorite with both pilots and their mechanics.

Last of a series of biplane fighters produced by the Boeing Aircraft Company, the F4B-4 was used by the Navy from 1932 until as late as 1942. The first F4B-4 was delivered in July, 1932 and became standard U.S. Navy equipment by 1933. In active service until 1938, this fighter was eventually phased out of active duty to assume the role of a training aircraft. In the early forties 23 remaining F4B-4's were converted to radio controlled drones and used as target planes until 1942.

Ninety-two F4B-4's were ordered by the U.S. Navy which, at that time, was the largest order ever placed for VF class aircraft with any single manufacturer. Foreign air services placed numerous orders for the F4B-4 with Boeing, proving the World-wide superiority of this little biplane. The F4B-4 was a single engine biplane with fabric covered wings and metal skin on the fuselage. The ailerons and tail surfaces were covered with corrugated aluminum. The metal covered headrest contained a rubber life-raft and other emergency supplies. Powered by a 9 cylinder Pratt and Whitney engine, the F4B-4 had a top speed of 184 m.p.h. At the cruising speed of 160 m.p.h. this plane had a range of over 350 miles and with the addition of a 55 gallon underbelly tank the range was extended to 703 miles. Armament consisted of two .30 caliber machine guns or, one .30 caliber and one .50 caliber machine gun which fired through the propeller. Wing span was 30 feet, length was 20 feet 4.69 inches and height was 9 feet 9 inches.

Of the 92 F4B-4's built only one remains and has been restored to a displayable, though non-flying condition. This last member of the famous "Boeing Biplane" family can now be seen at the National Aviation Museum in Pensacola, Florida.

The model in this kit represents a plane of Fighting Squadron 2 and operated off the aircraft carrier U.S.S. Lexington in the 1930's.

Your Monogram F4B-4 kit features a unique and fool-proof method for precise alignment of the wings and landing gear. The cabane struts and landing struts are molded onto the fuselage halves at the correct angles. This provides automatic and perfect positioning in areas formerly considered difficult in the assembly of biplane models.

**COPYRIGHT © 1968 MONOGRAM MODELS, INC. MORTON GROVE, ILLINOIS • PRINTED IN U.S.A.**  
**ALL RIGHTS RESERVED** 00209-020



# IMPORTANT! READ THIS BEFORE YOU BEGIN . . .

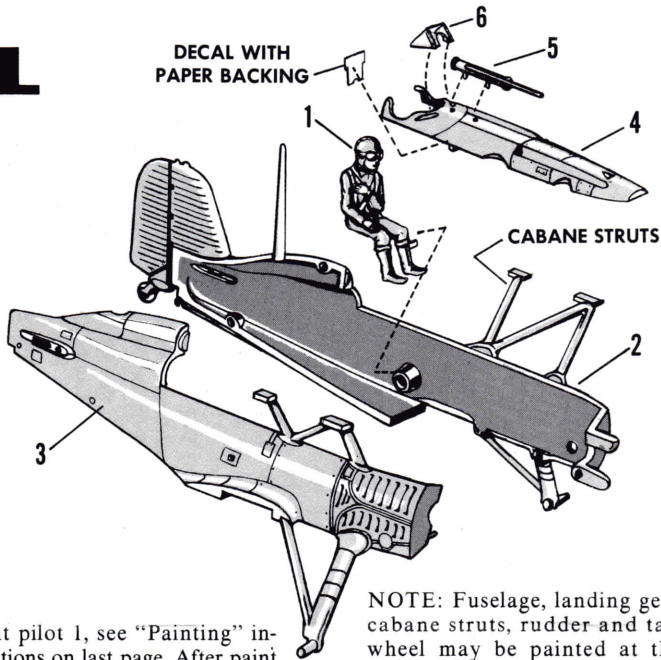
Read all the instructions and study the drawings to become familiar with all the parts. Once you've started the assembly, check the fit of each part by putting it in place without cement. Then remove the part, apply cement and attach it to the model.

Plastic parts are molded with the identifying numbers appearing on the part or on a tab next to the corresponding part. These numbers are referred to in the instructions to make it easier for you to locate the correct part during assembly. Do not detach parts from the trees until you are ready to use them. After cutting or breaking off the required part, trim away any excess bits of plastic. Use a small sharp knife such as an X-acto knife, available at your hobby counter. Keep in mind the importance of not rushing the assembly of your model and

avoid the use of excessive amounts of cement. All plastic cements contain solvents which dissolve plastic in order to form a solid weld between the cemented parts. Too much cement can soften and distort the plastic, spoiling your models appearance. When applying cement to a small or confined area, use cement on the end of a toothpick instead of the tube nozzle to better regulate the amount being applied.

If you plan to paint your model, refer to the instructions below and the "Finishing Your Model" section for colors and helpful hints on painting. Remember to scrape paint away from areas which will be cemented as cement will not stick to paint.

## 1



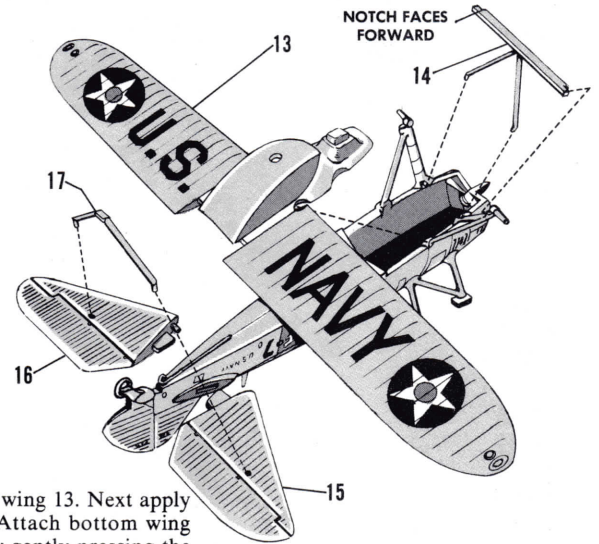
Paint pilot 1, see "Painting" instructions on last page. After paint has dried, cement tab on pilot's leg into socket on left fuselage half 2. Cement right fuselage half 3 to left half.

Cut instrument panel from decal sheet and cement to upper cowl 4. Cement upper cowl to fuselage.

NOTE: Fuselage, landing gear, cabane struts, rudder and tail-wheel may be painted at this point. Underside of pads at top of cabane struts should be painted silver.

Paint and cement gun sight 5 to upper cowl. Cement windshield 6 in place. All fuselage decals should be applied now for ease of attachment.

## 3



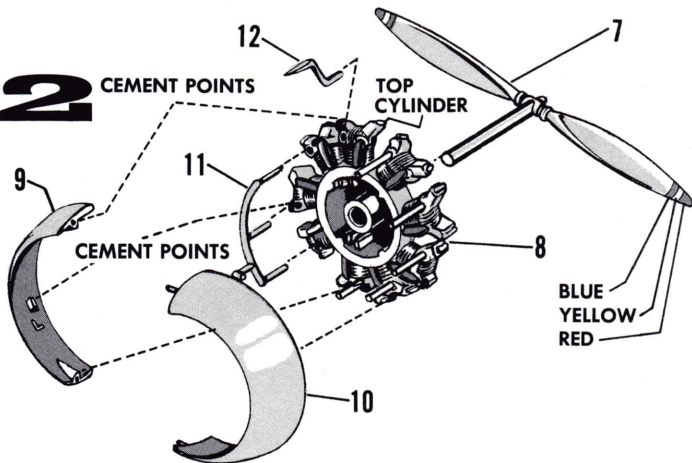
Paint bottom wing 13. Next apply wing decals. Attach bottom wing to fuselage by gently pressing the fuselage sides together at the rear landing gear struts. At the same time slide the bottom wing forward until notches in the leading edge of the wing snap into place on the rear landing gear struts and cement.

Next paint and cement landing gear brace 14 into position with

the notches of the landing gear spreader bar facing forward against the axle stubs.

Paint and cement left and right stabilizers 15 and 16 into place. Next paint and cement stabilizer strut 17 to stabilizer with pins on strut ends inserted into holes in bottom of stabilizers.

## 2



Paint engine and propeller. Slip shaft on propeller 7 through hole in engine 8 and flare end of shaft with the heated blade of an old knife.

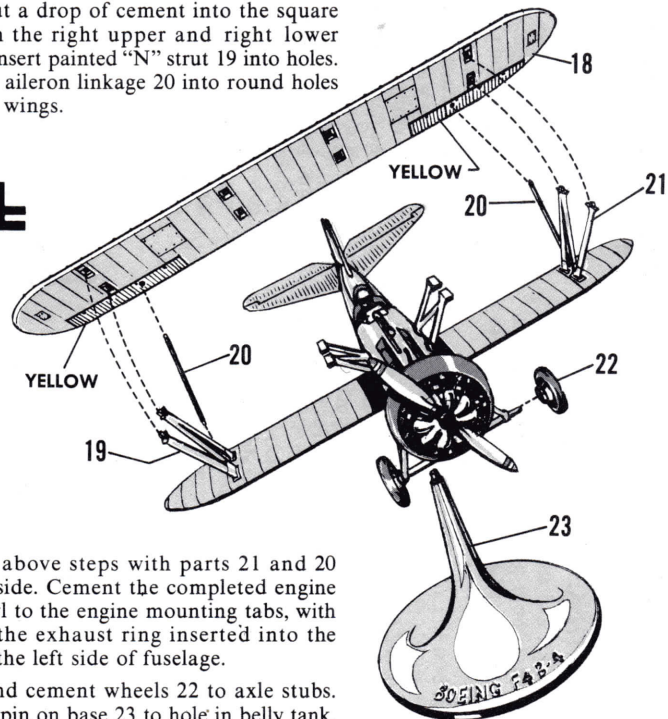
Cement left half cowl ring 9 to right half cowl ring 10 and paint. Cement cowl ring to engine, making sure that notched line-up

socket on left half of cowl ring is against notched top cylinder valve cover.

Paint and cement exhaust ring 11 to engine with three pins fitting into holes in the three left side cylinders. Paint and cement exhaust pipe 12 to hole in top cylinder.

Paint upper wing 18 and apply decals. Cement wing to cabane struts on fuselage. Paint parts 19, 20 and 21. Using a toothpick, put a drop of cement into the square holes in the right upper and right lower wings. Insert painted "N" strut 19 into holes. Cement aileron linkage 20 into round holes in right wings.

## 4



Repeat above steps with parts 21 and 20 for left side. Cement the completed engine and cowl to the engine mounting tabs, with pin on the exhaust ring inserted into the hole in the left side of fuselage.

Paint and cement wheels 22 to axle stubs. Cement pin on base 23 to hole in belly tank.