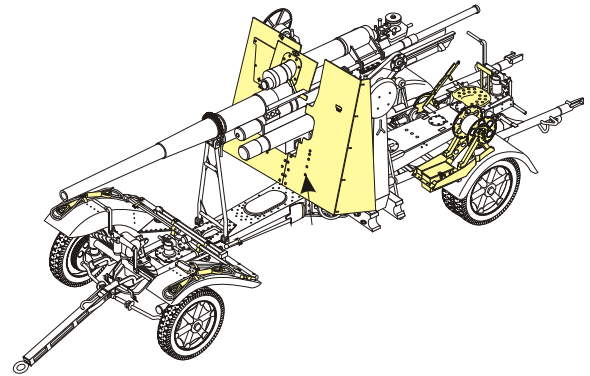


1/35 MILITARY MINIATURE VEHICLE UPGRADE SERIES PE35067

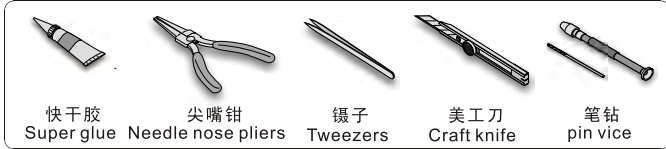
WWII German 88mm Flak18

二战德军88mm 18型 防空炮改造件

[For AFV CLUB 35088]



推荐使用工具 RECOMMENDED TOOLS



快干胶 Super glue 尖嘴钳 Needle nose pliers 镊子 Tweezers 美工刀 Craft knife 笔钻 pin vice

- 安装
install
- 折叠
bend
- A1**
改造件零件编号
PE/resin part number
- B12**
原零件编号
kit part number
- C22**
被替换的原零件编号
replaced kit part number
- 另一侧相同制作
repeat on opposite side
- 切除
remove
- 打磨
grind off
- 弧度卷曲
radial bending
- x2**
制作若干组
multiple assembly
- 选择安装
alternative
- 钻孔
drill
- 用胶棒制作
make from plastic rod

用尖端在凹槽处冲压
use penpoint to press on the dent

蚀刻片零件内侧面向上
Put the part upside down
 用笔尖在凹槽处刮
Use penpoint to press on the dent

a

b

c

d

e

f

g

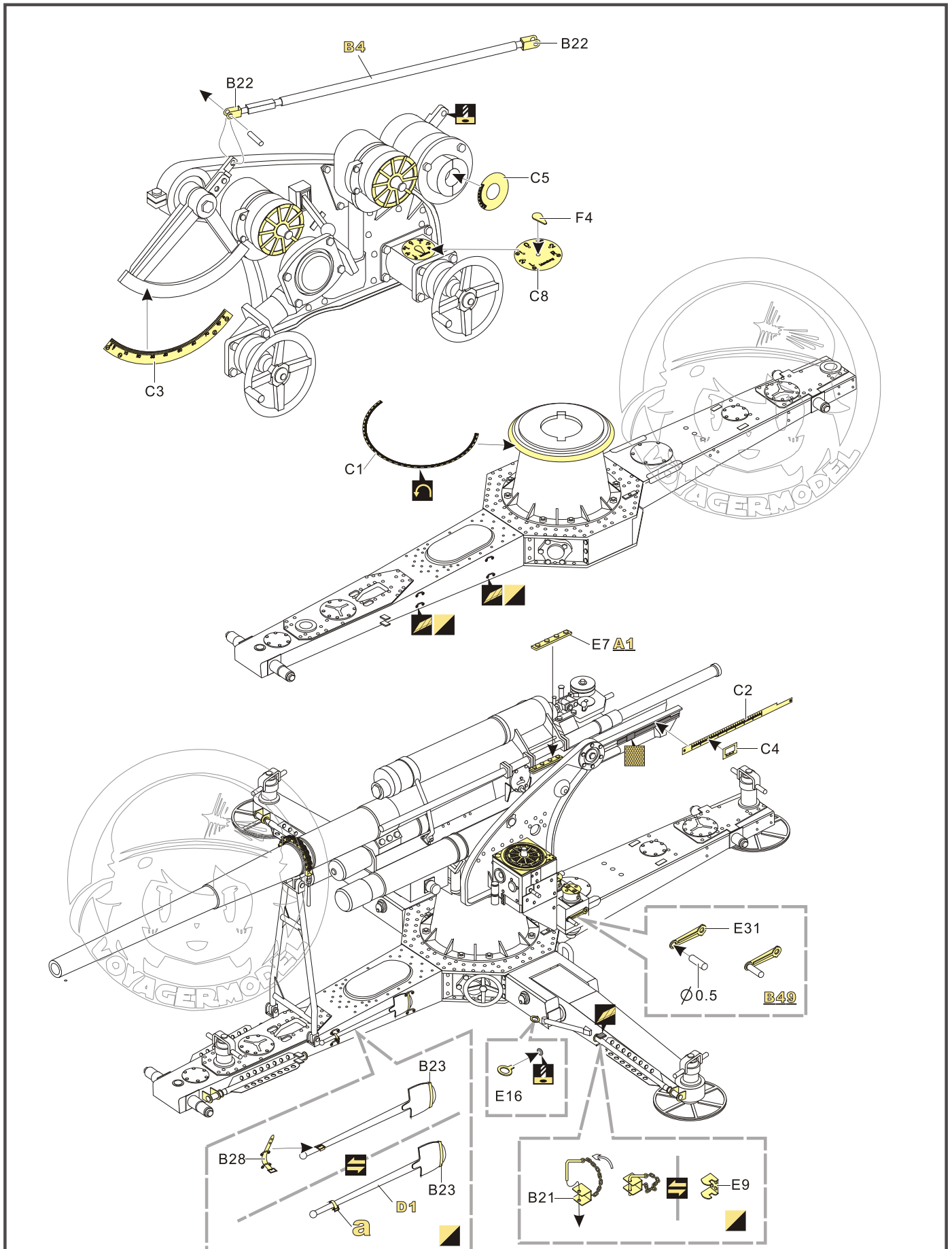
h

i

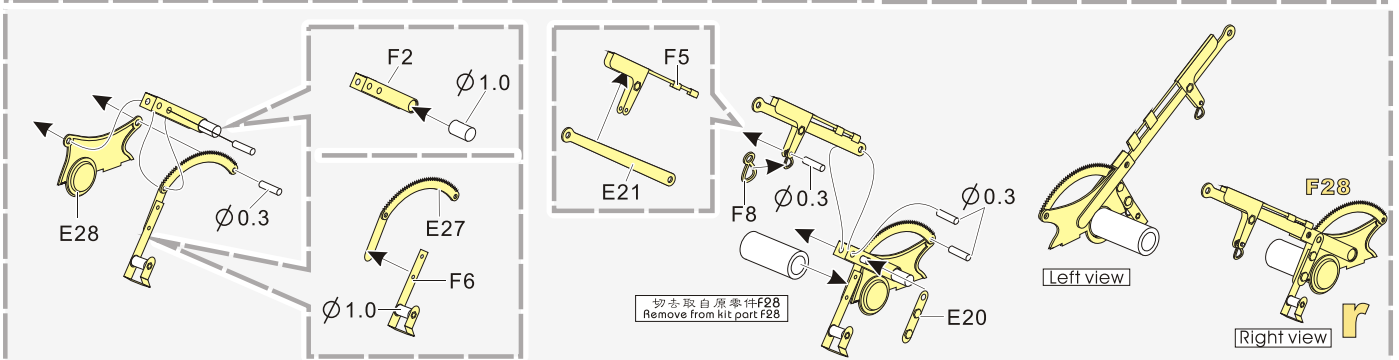
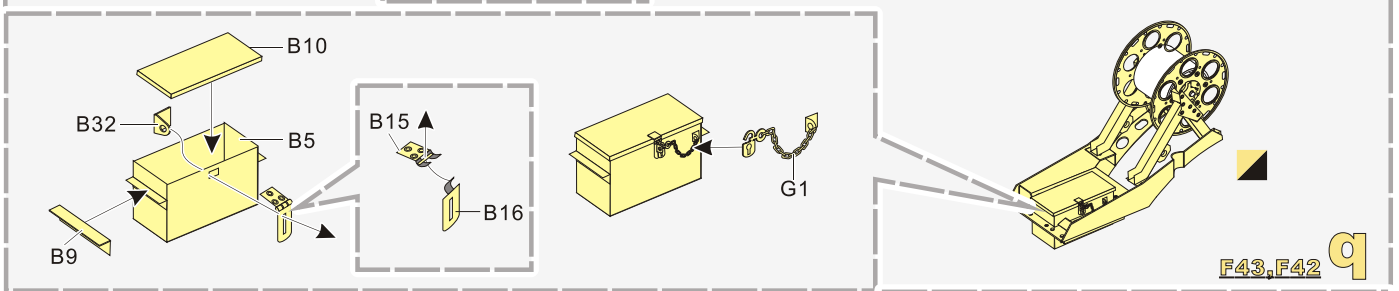
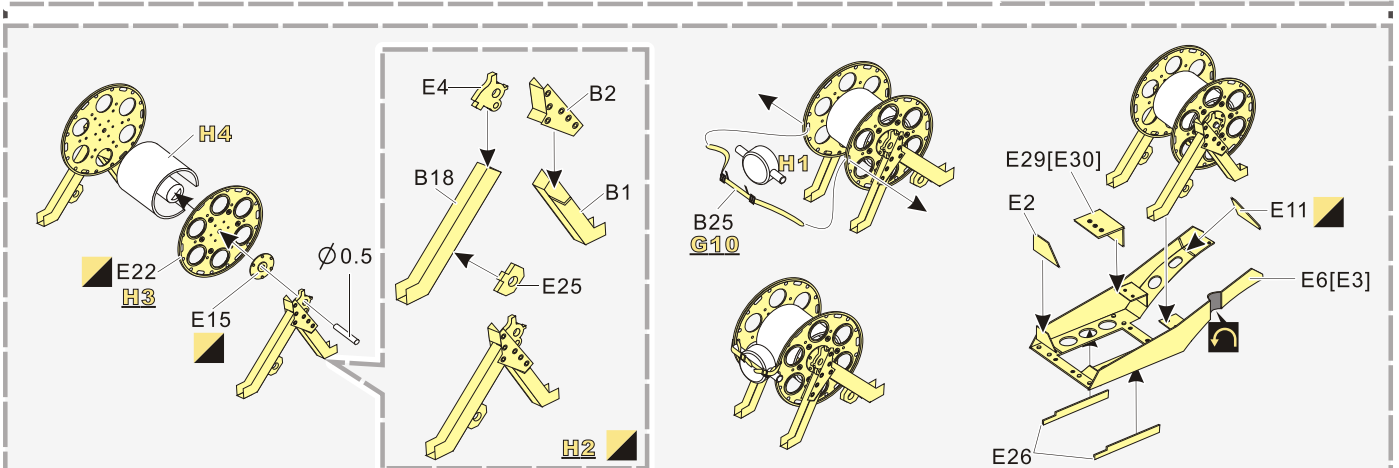
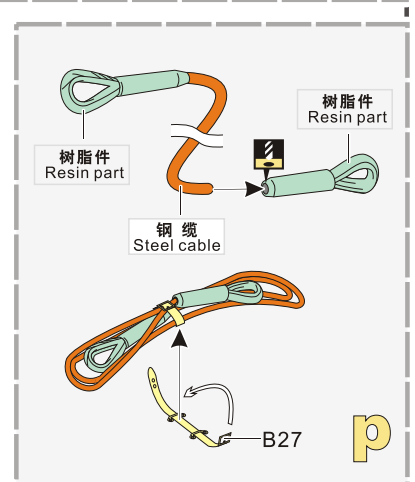
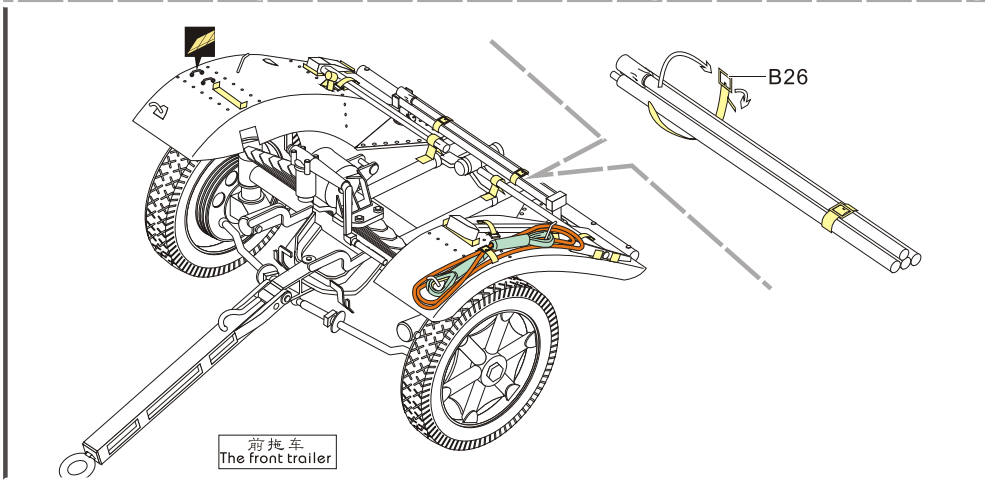
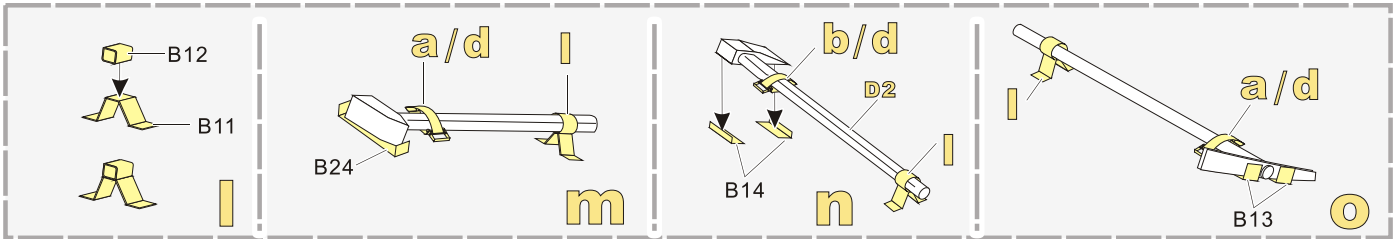
j

k

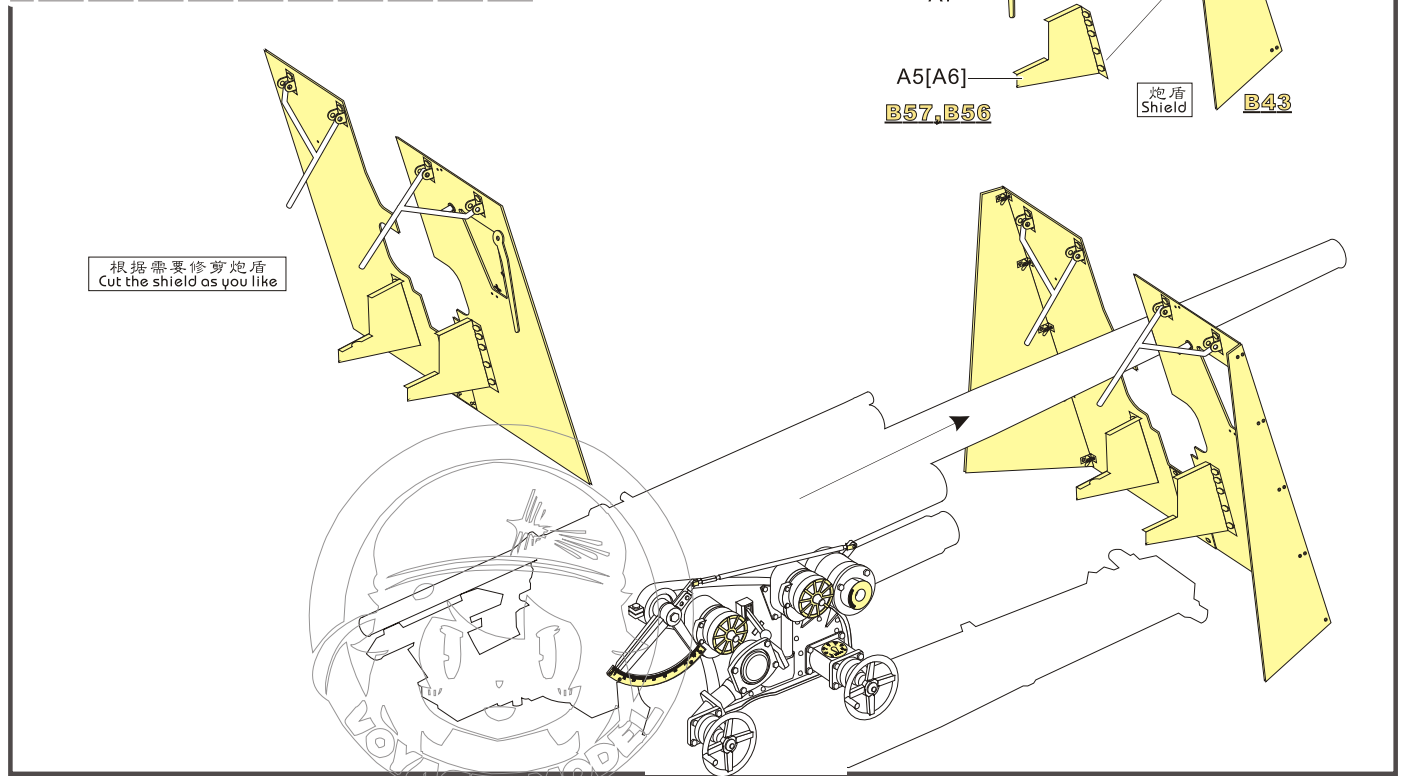
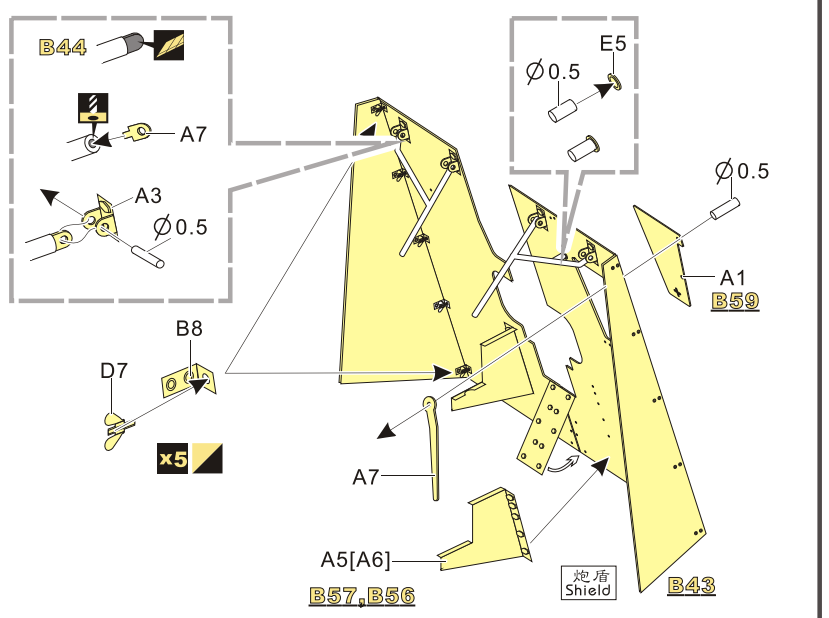
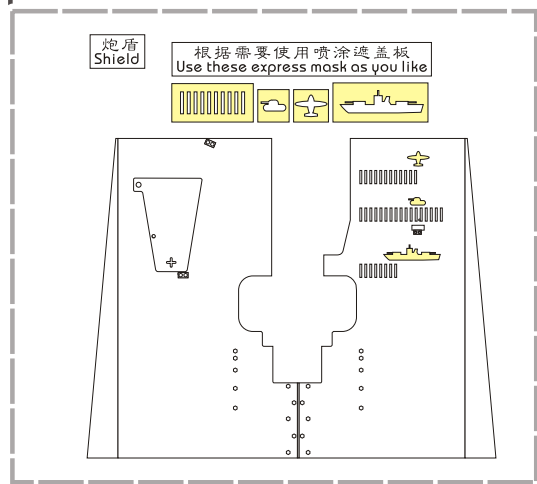
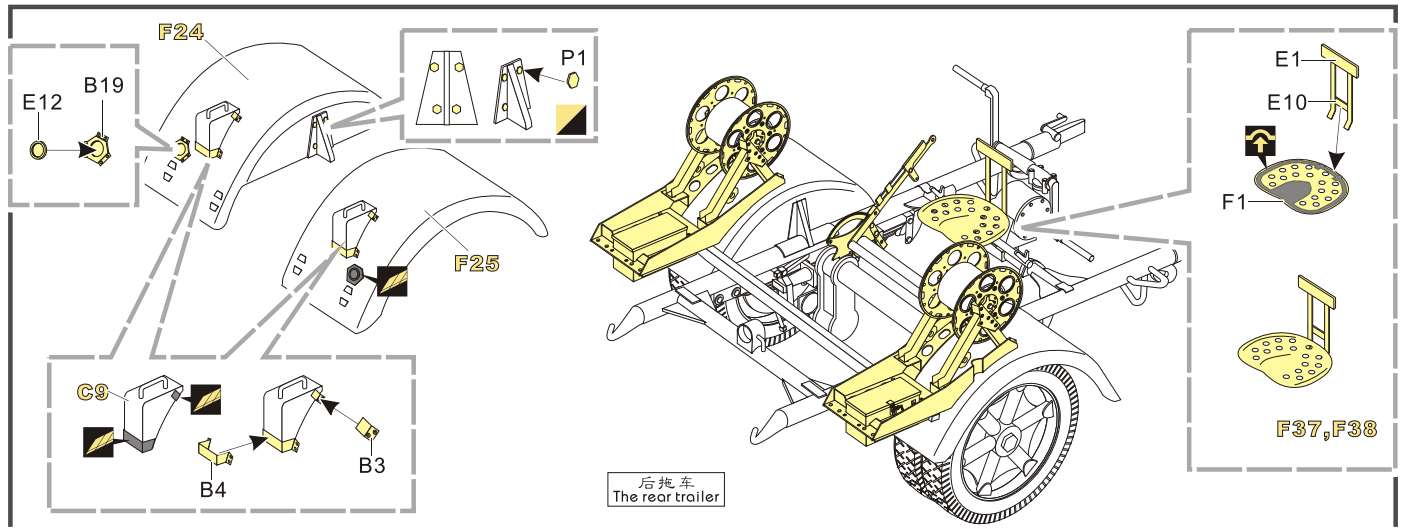
1/35 MILITARY MINIATURE VEHICLE UPGRADE SERIES PE35067



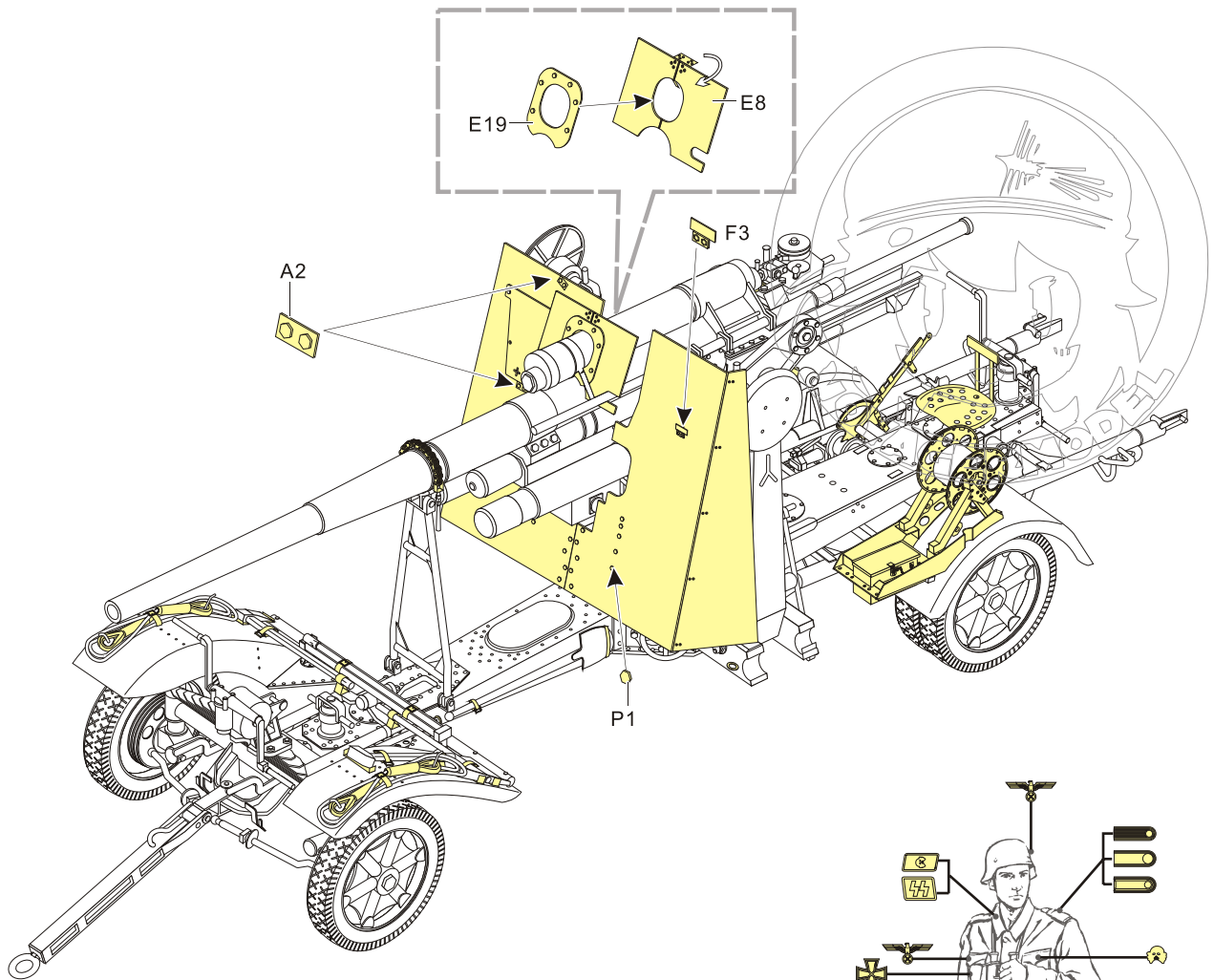
1/35 MILITARY MINIATURE VEHICLE UPGRADE SERIES PE35067



1/35 MILITARY MINIATURE VEHICLE UPGRADE SERIES PE35067

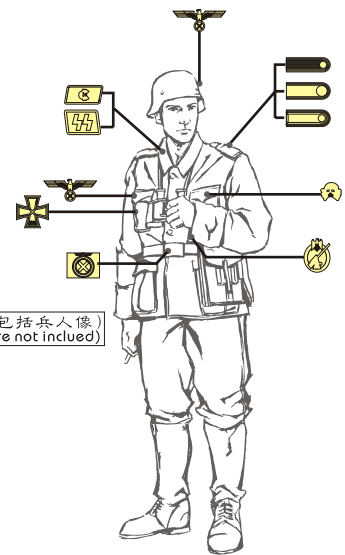


1/35 MILITARY MINIATURE VEHICLE UPGRADE SERIES PE35067



行军状态
The appearance of transporting

根据喜好使用徽章套件 (不包括兵人像)
Use these badge as you like (figure not included)



[Http://www.voyagermodel.com/productdetails.asp?itemid=PE35067](http://www.voyagermodel.com/productdetails.asp?itemid=PE35067)



**VOYAGER
MODEL**



更多PE35067样品照片参考请扫一扫
MORE PICTUER OF PE 35067
REFERENCE SCAN HERE