

PANTHER 'F' Pz.Kpfw.V (75mm Kw.K. L/70)

德國 '黑豹' F中型坦克 (搭載Kw.K. L/70 75mm炮型)



1/72 SCALE
Item No. VS720011

Meaning of icons



CAUTION:

1. When you use glue or paint, do not use near an open flame, and sue in a well-ventilated room.
2. Cut the parts off properly and throw waste parts into dustbox at once.
3. Keep all parts out of small children. Children must not be allowed to put any parts in their mouths, or pull plastic bags over their head.
4. Do not play with the parts for any other purpose, as some parts may be to sharp. More caution and care needed for families with infants.

注意:

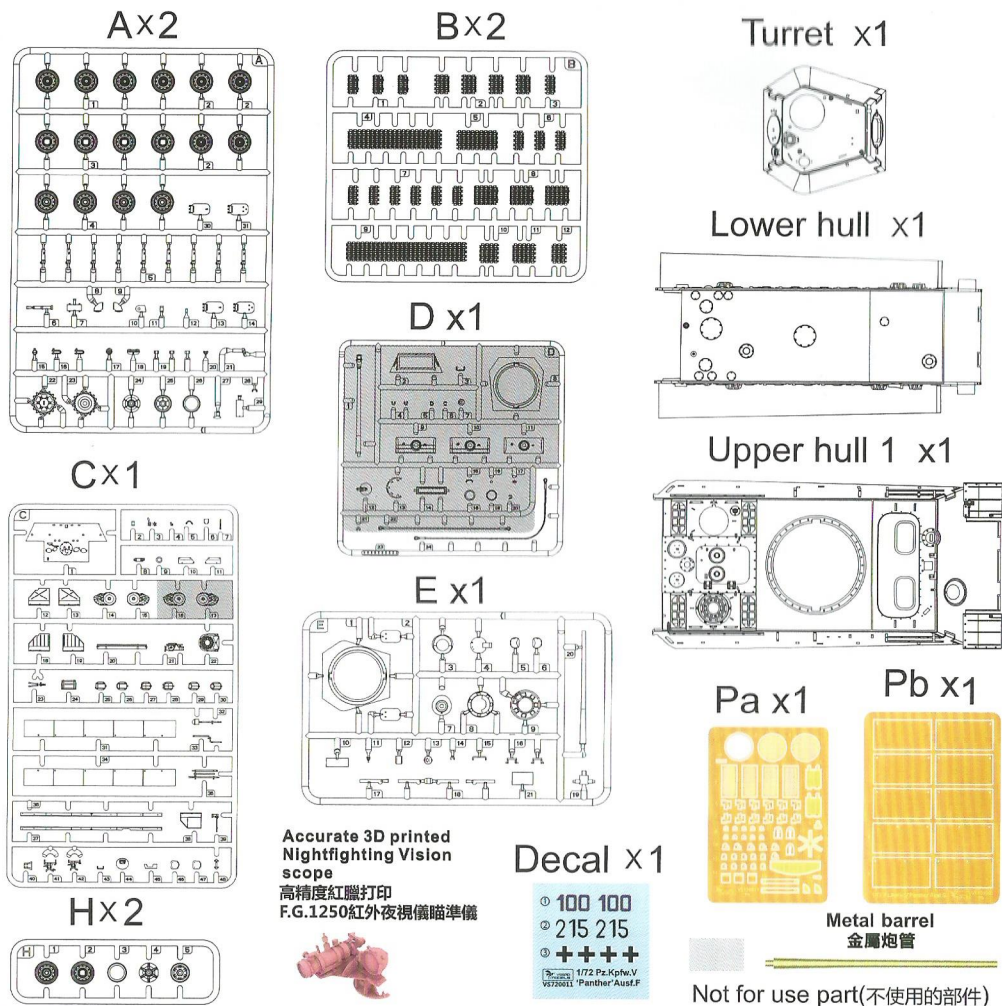
1. 當組裝模型時應遠離火種及在空氣流通的房間內進行。
2. 廢置膠料應掉棄在環保回收的垃圾箱內。
3. 由於模型套件有許多細小零件，請勿讓小孩接觸以免產生誤吞之危險。也別讓小孩把包裝膠件之透明塑料袋套在頭上，這很容易引致窒息。
4. 由於零件有不少尖角部份，請勿把玩及作其他用途，請注意及小心保護你的家人。

CORRECT METHOD FOR APPLYING DECALS:

1. Clean model surface with wet cloth.
2. Cut out of decal sheet and dip them in cold water for 15 seconds.
3. Place decal on proper position on model.
4. Slide off base paper leaving decals on model with wet finger tip.
5. Adjust decals to exact position, push out excess water under decal with soft cotton cloth.

正確貼上水貼紙的方法:

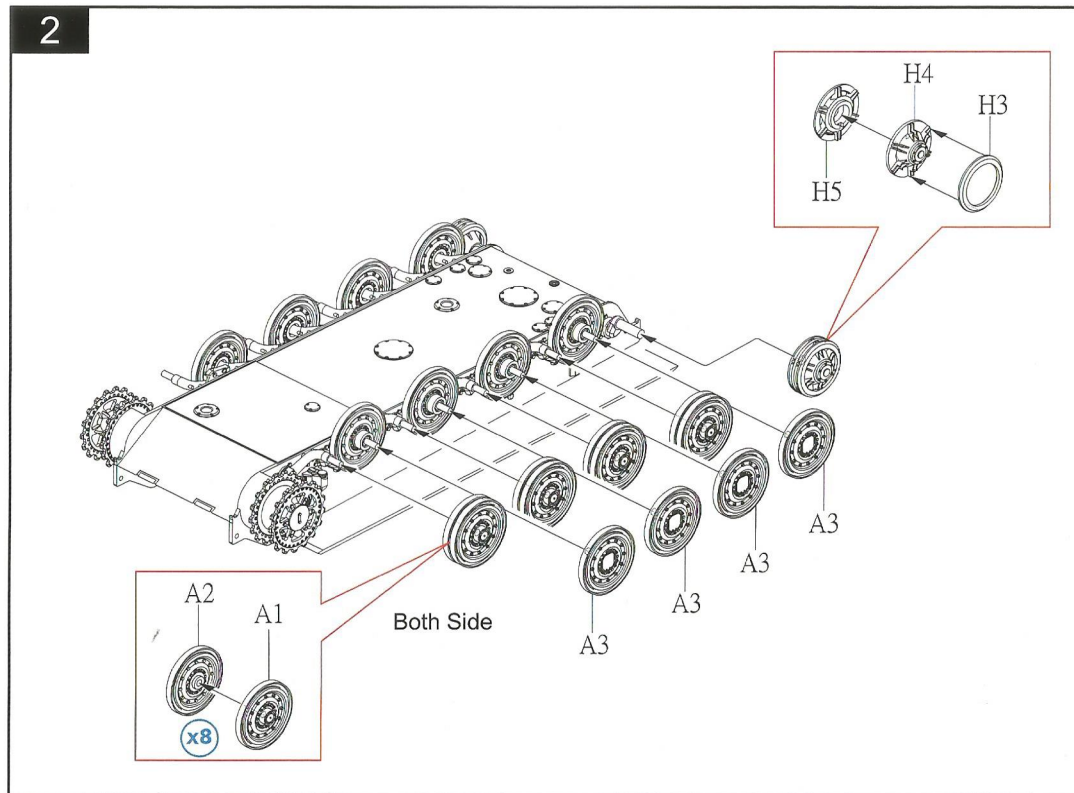
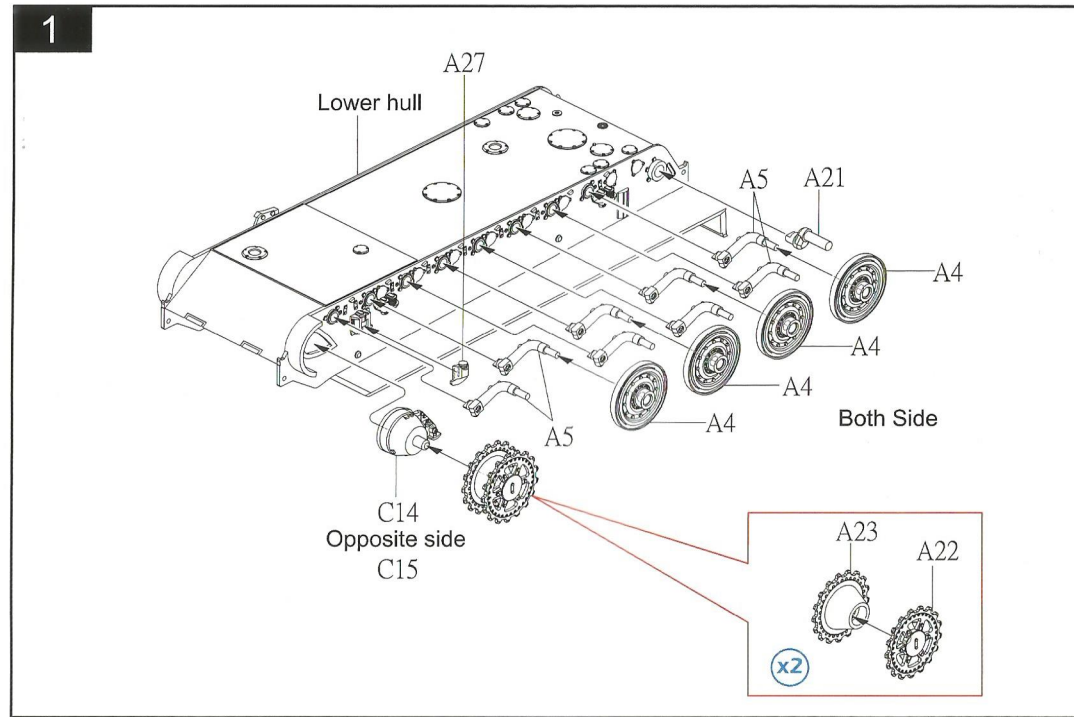
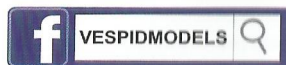
1. 將模型表面擦幹淨。
2. 將貼紙剪下泡入清水中約15秒。
3. 將泡濕之貼紙取出置放欲貼處旁。
4. 用指尖輕推貼紙表面使其滑出底紙。
5. 將貼紙調整至適當位置並輕擦拭水份。



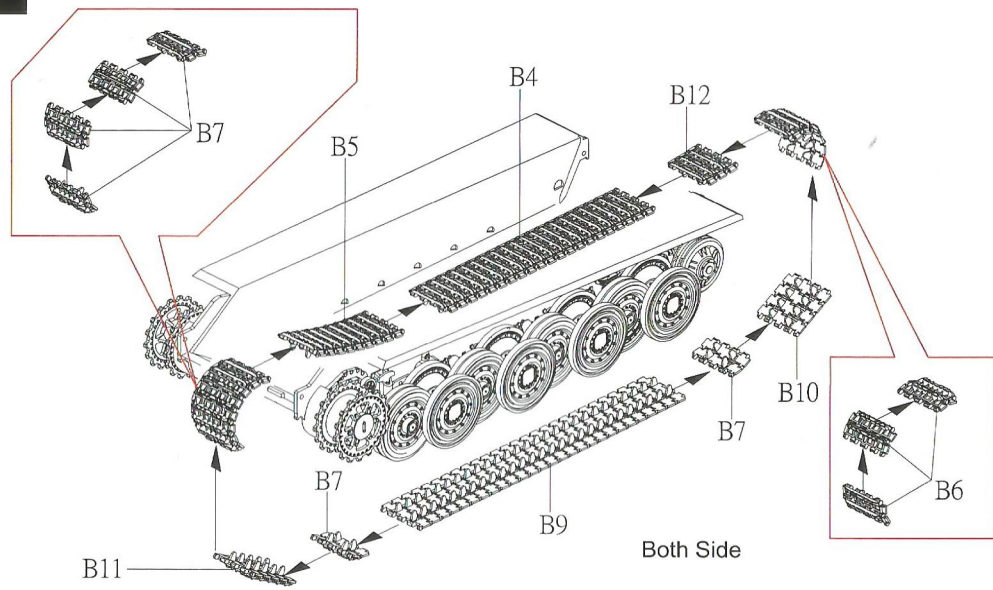
Colour	MR.Hobby	Hobby Color	Humbrol	Tamiya
A Red Brown	H-47	C-41	62	XF-64
B Steel	H-18	C-28	53	X-10
C Dark Green	/	C-70	88	XF-89
D Dark Yellow	H-79	C-39	84	XF-60
E White	H-11	C-62	34	XF-2



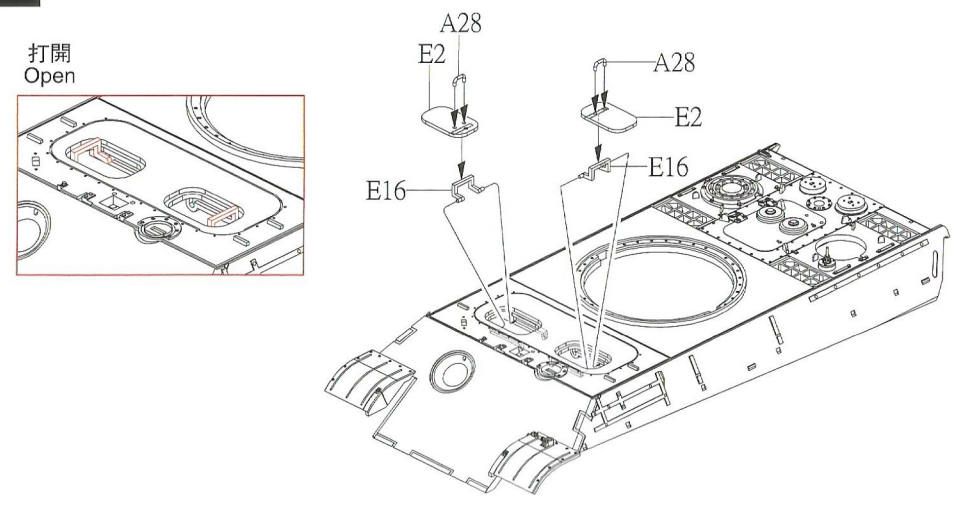
Web: www.vespid-models.com
E-mail: vespidmodels@foxmail.com



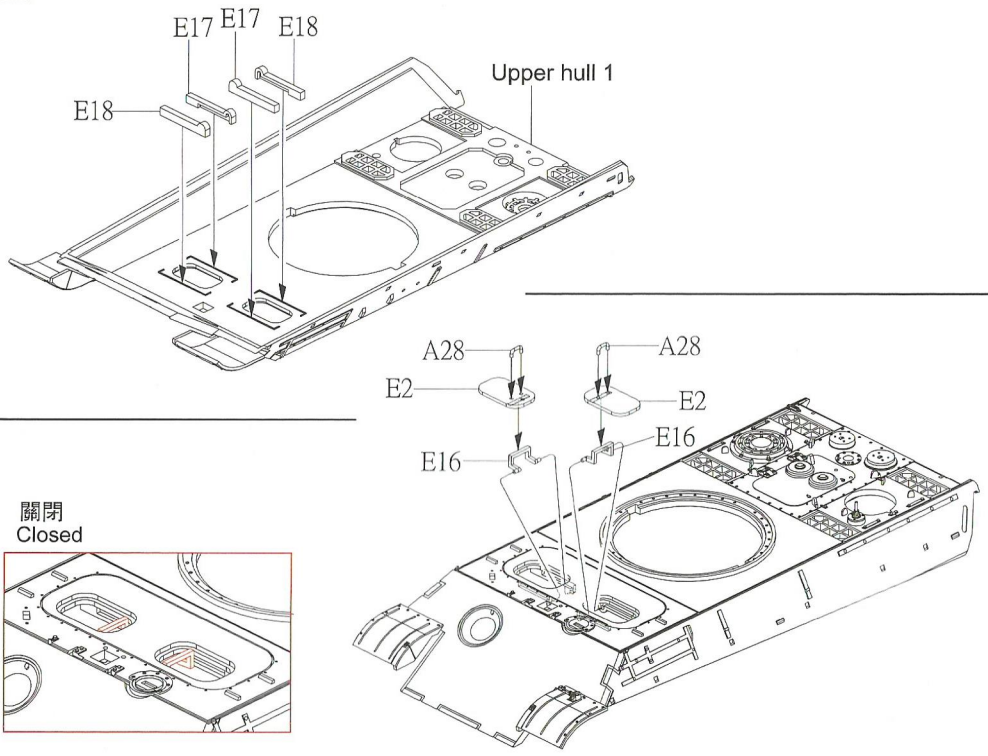
3



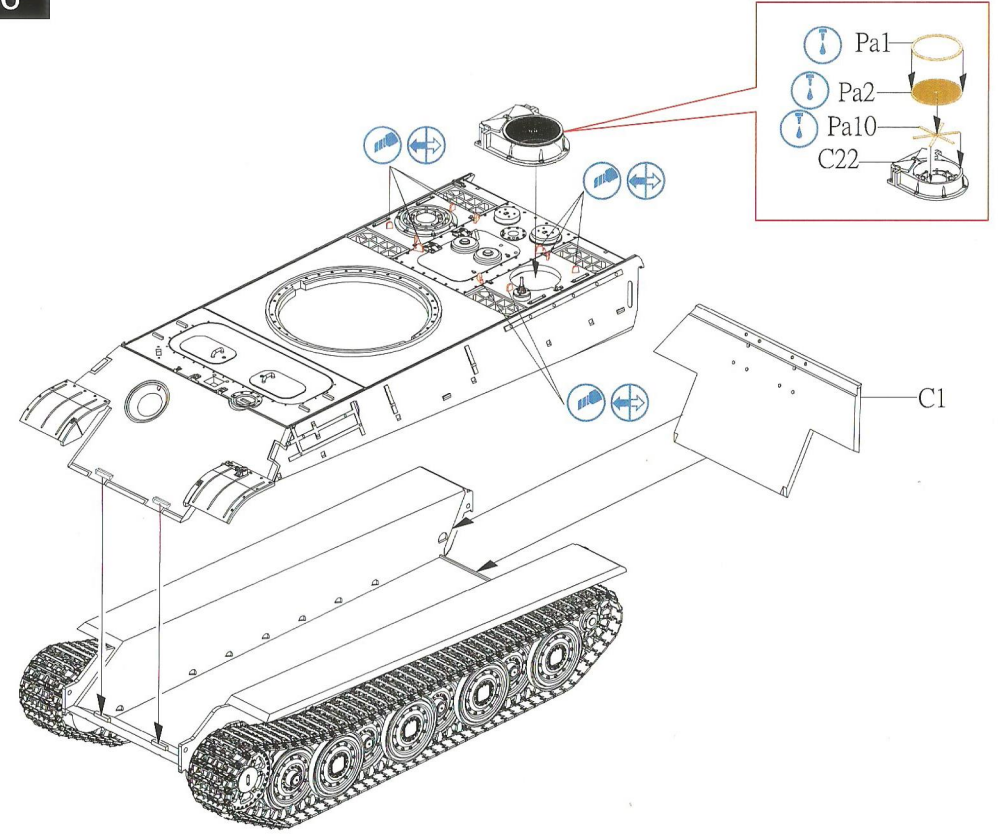
5

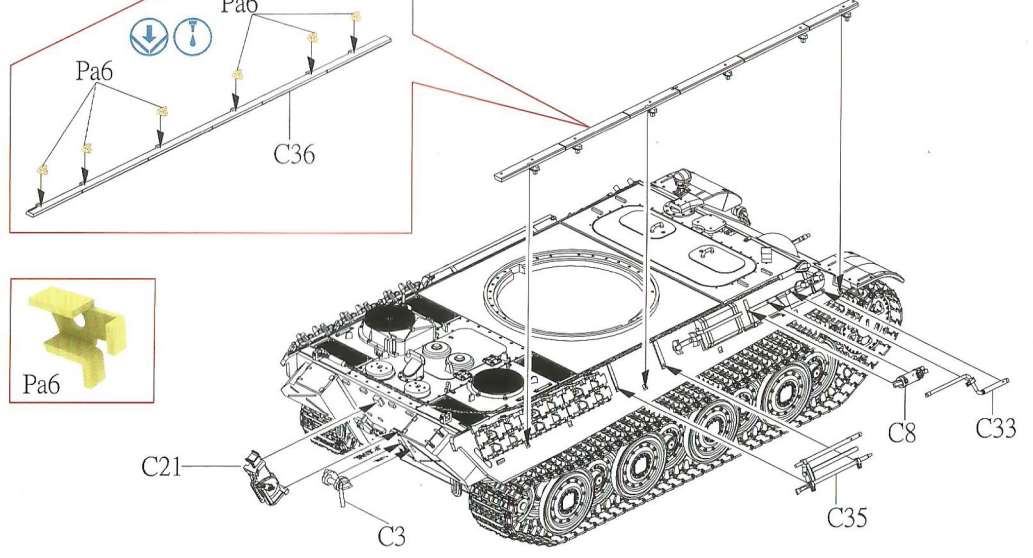
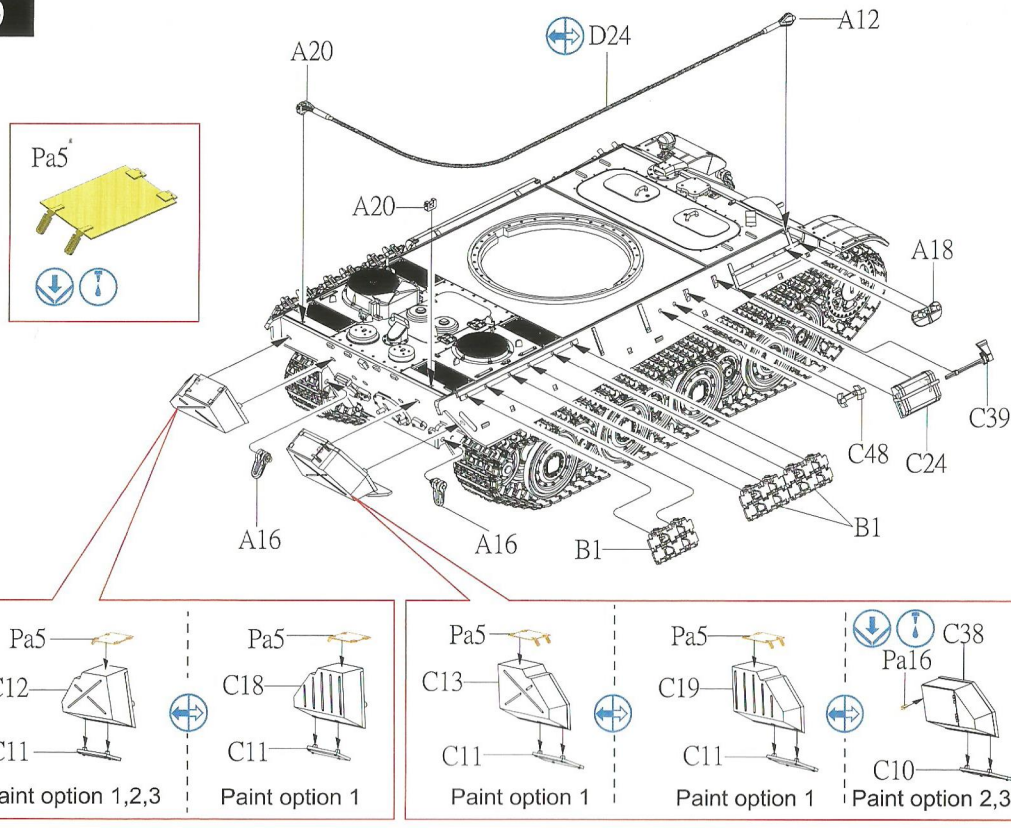
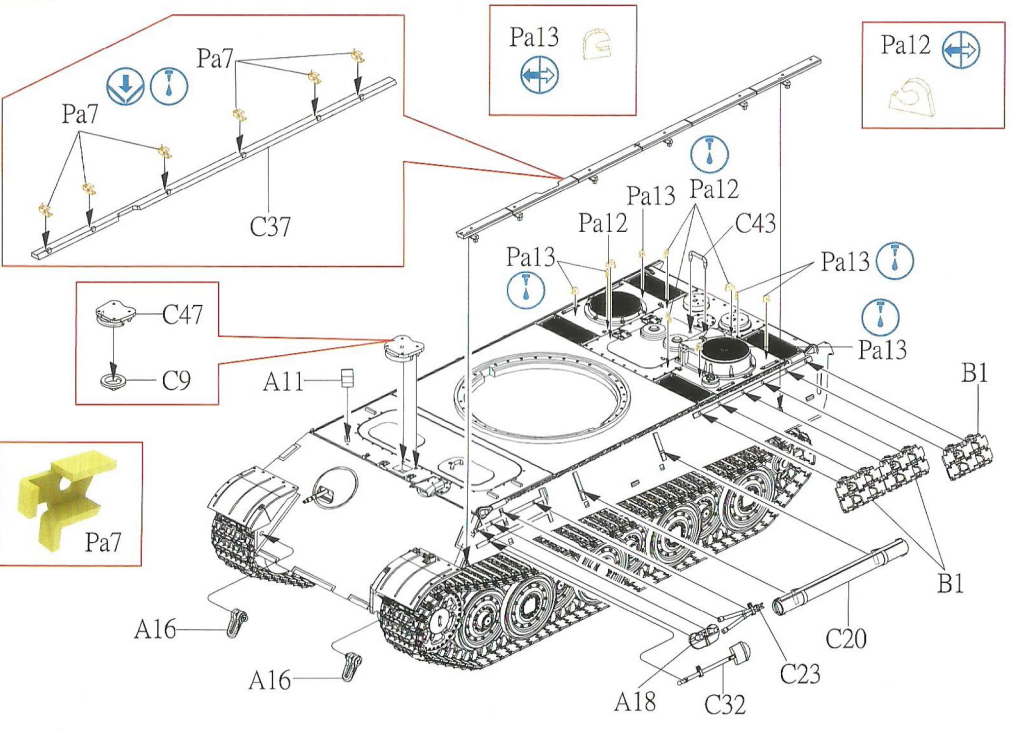
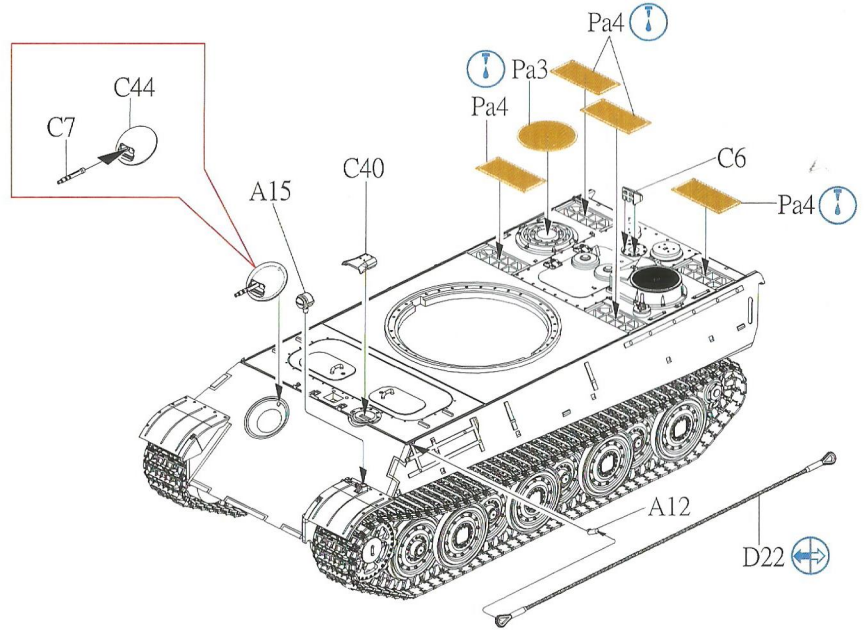


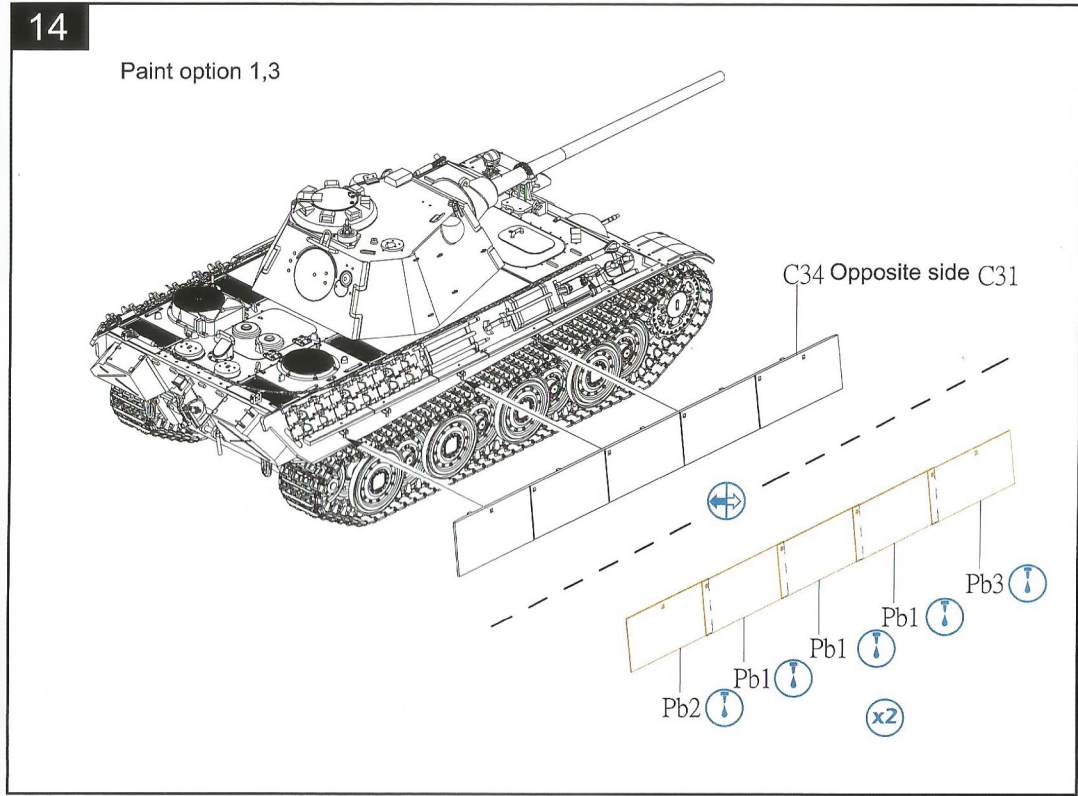
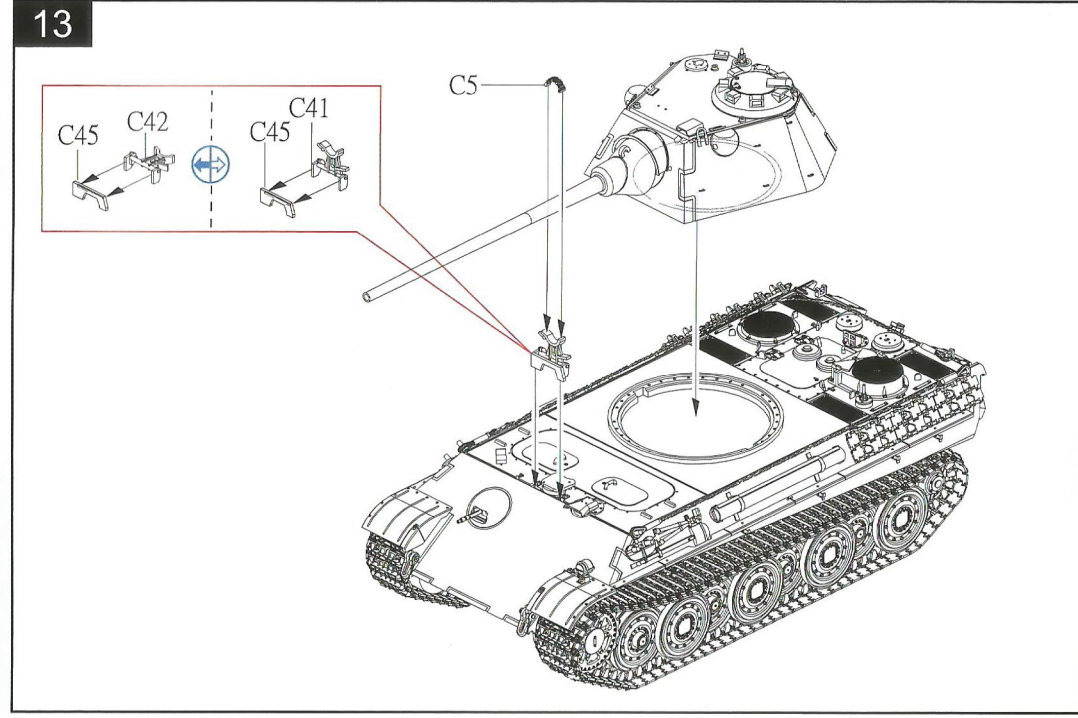
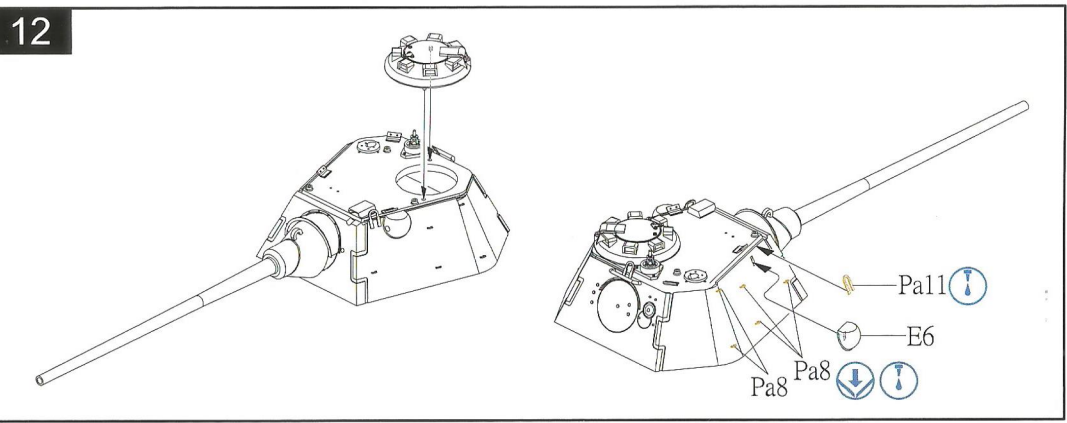
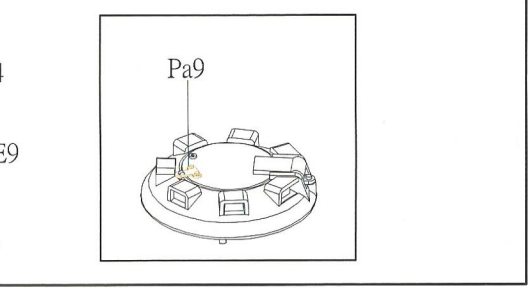
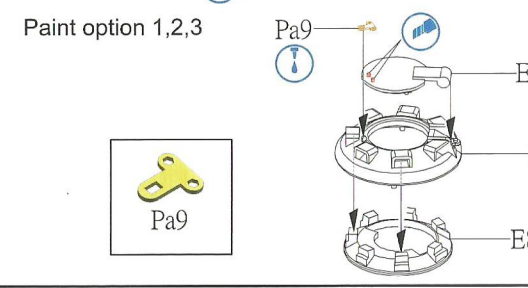
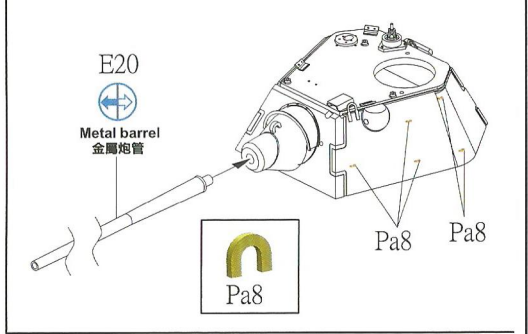
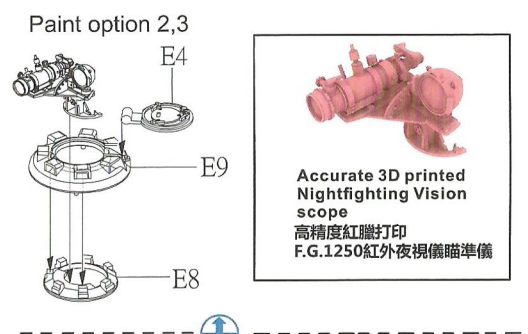
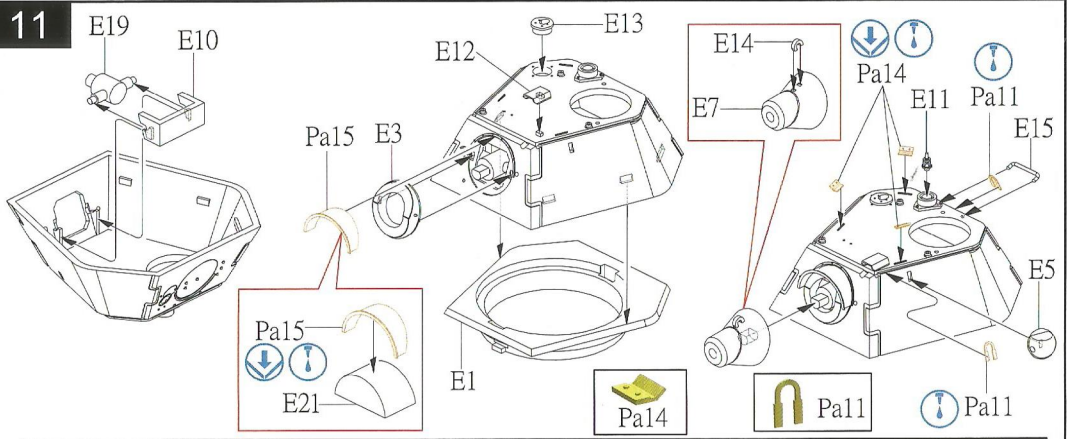
4



6

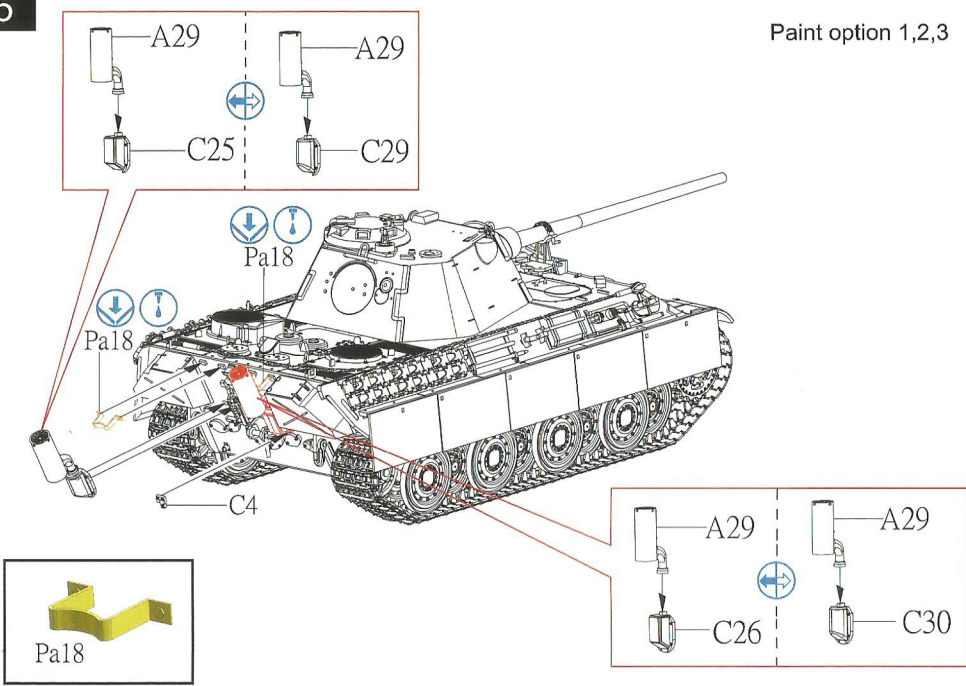




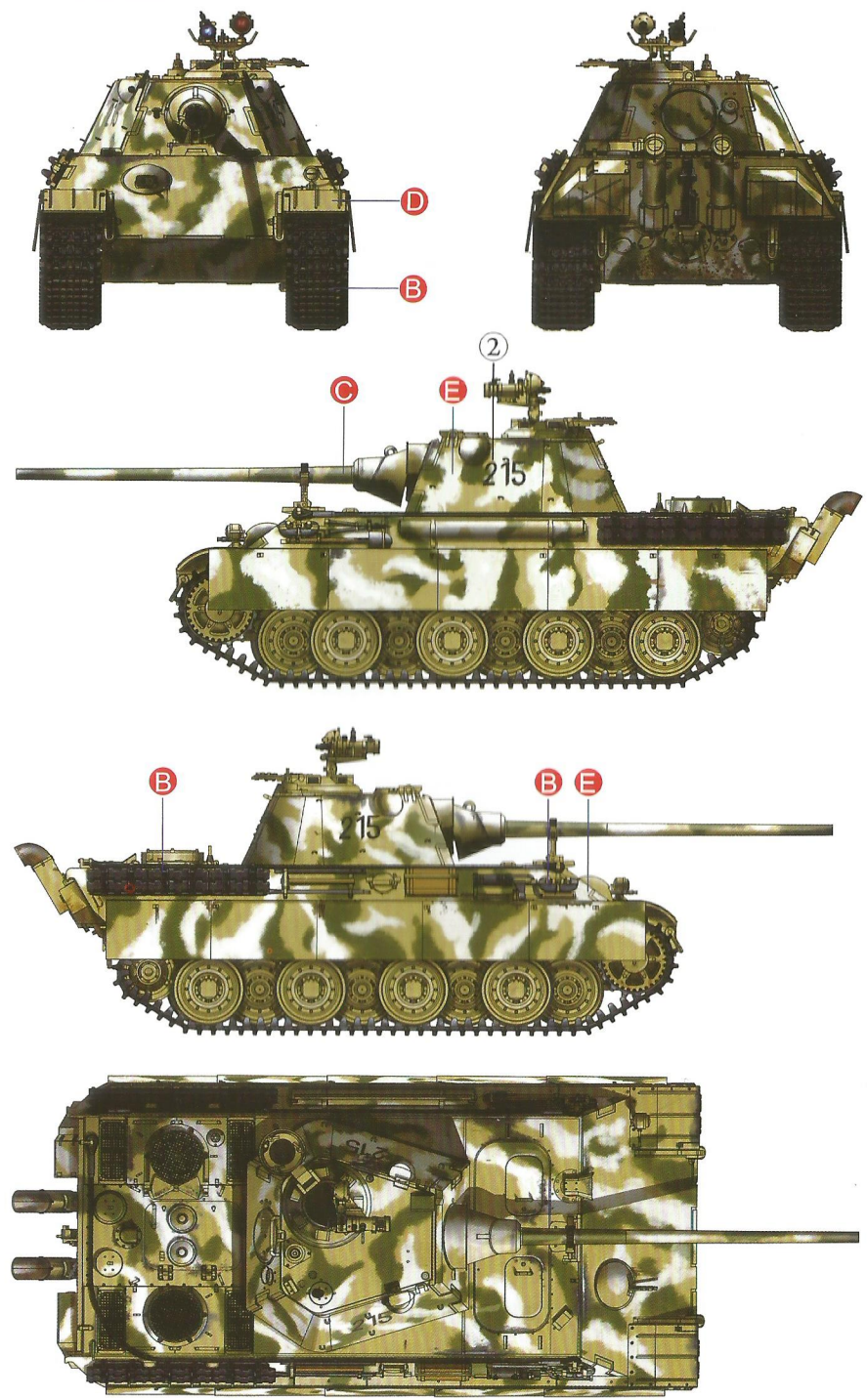


15

Paint option 1,2,3

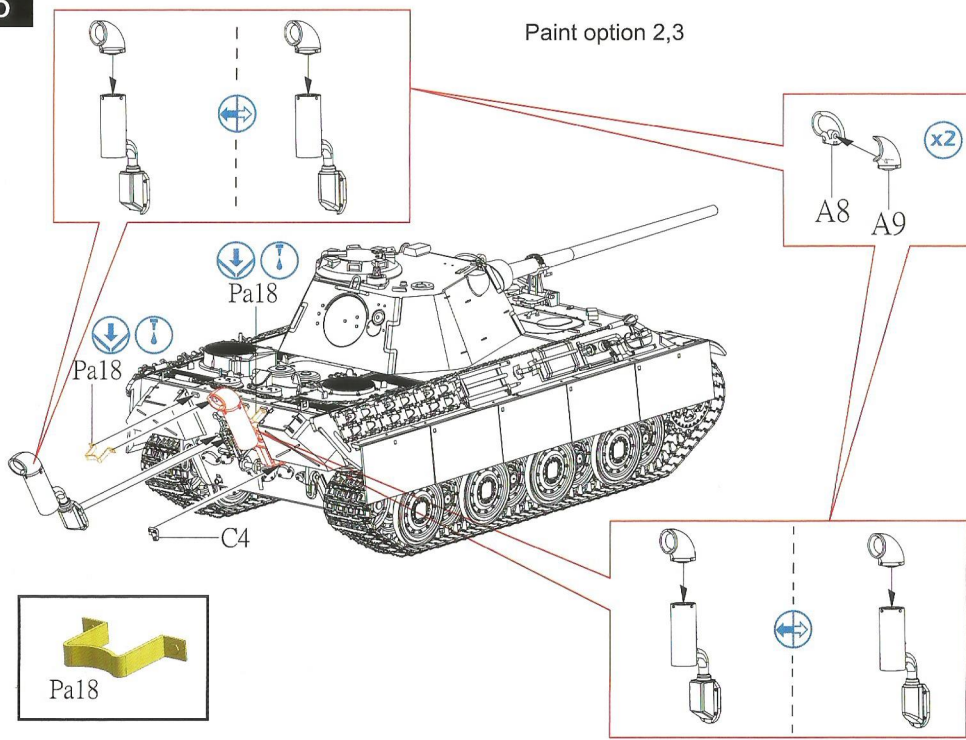


Paint Option 3:

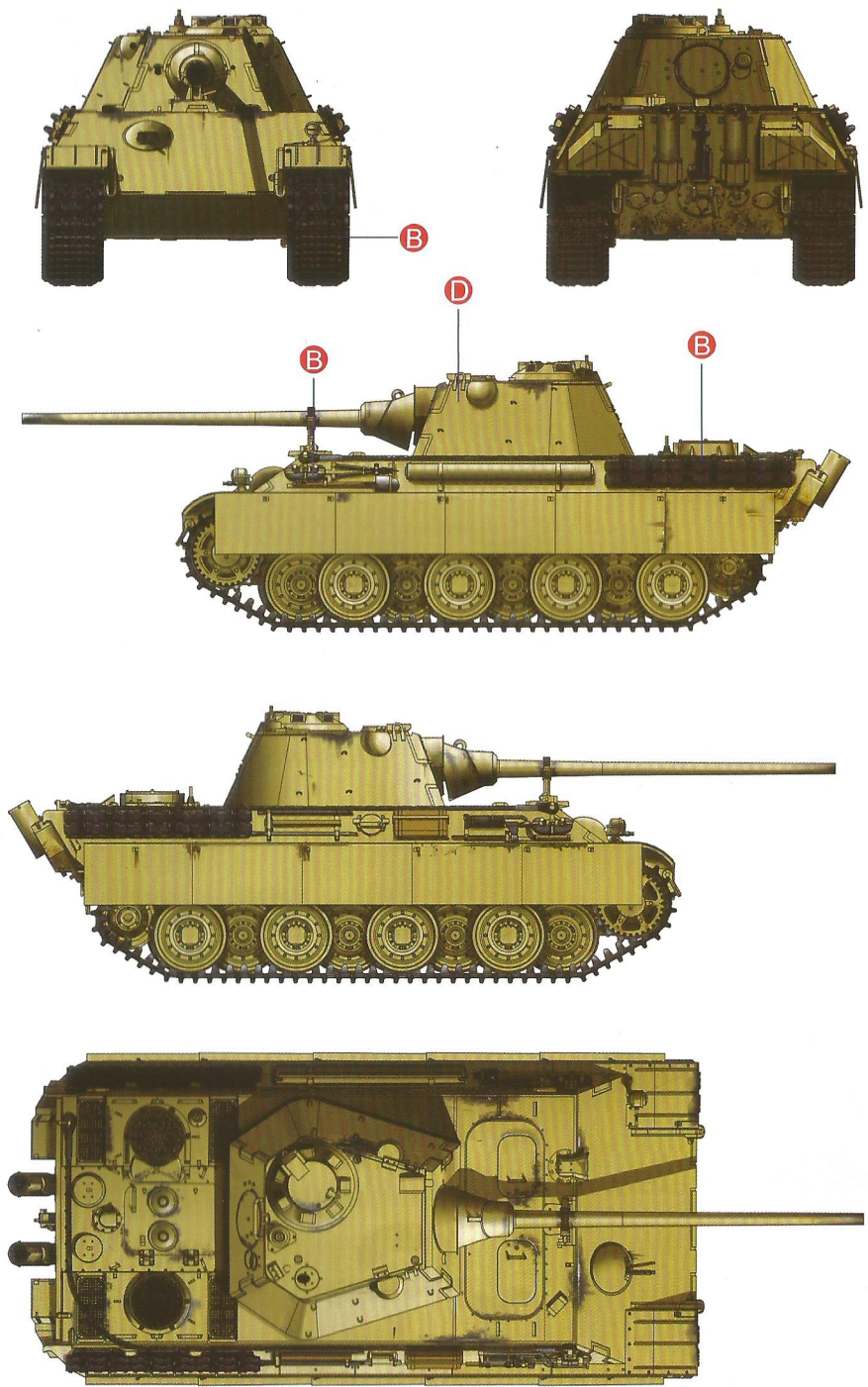


16

Paint option 2,3



Paint Option 1:



Paint Option 2:

