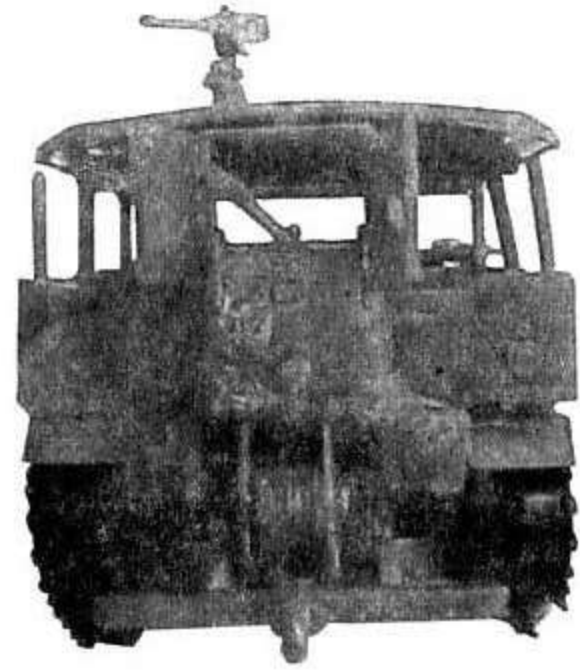
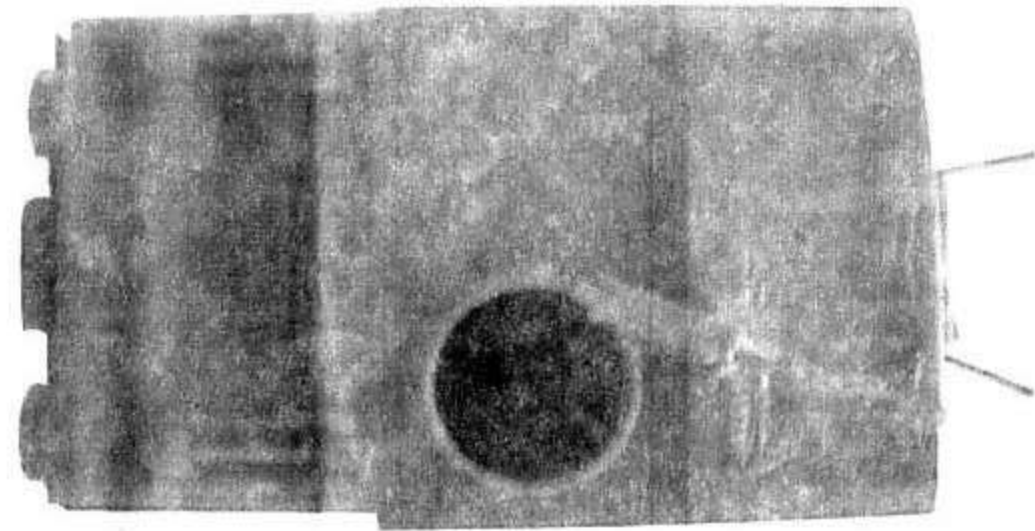


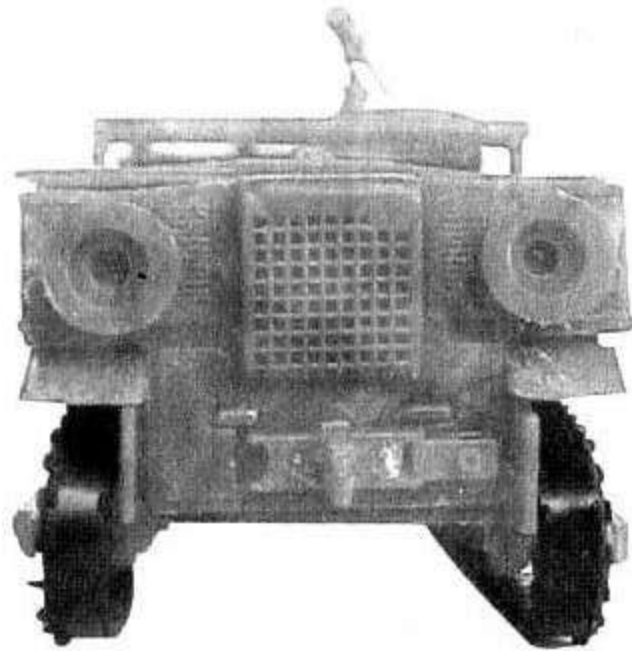
① 後視圖
BCKSIGHT
PICTURE



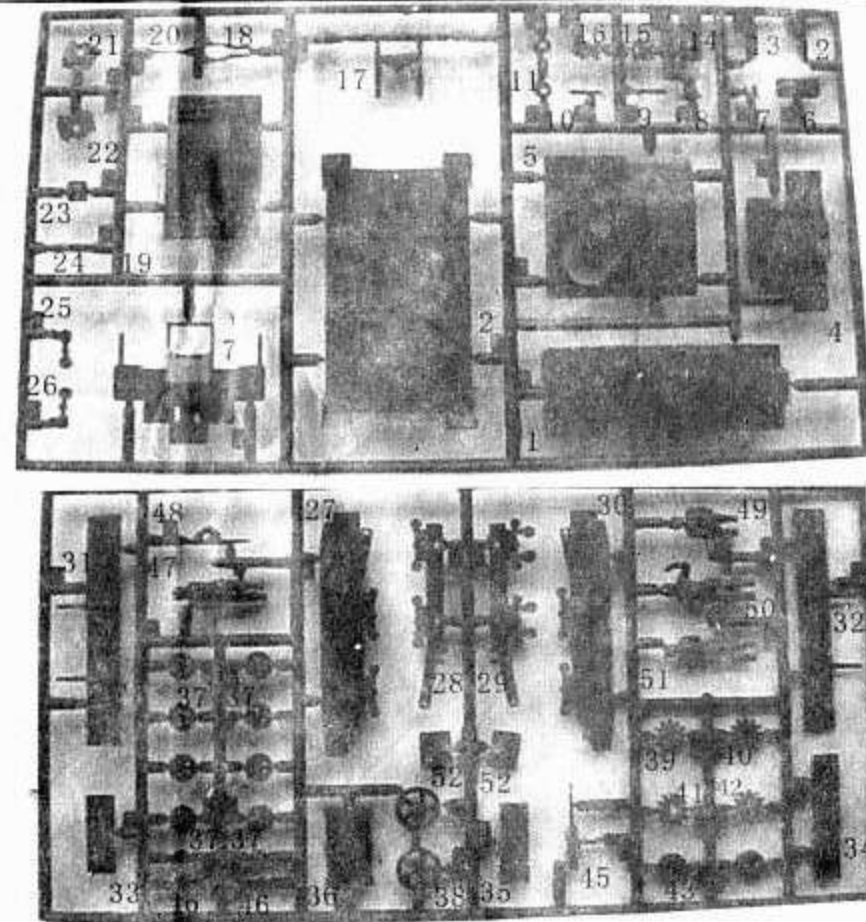
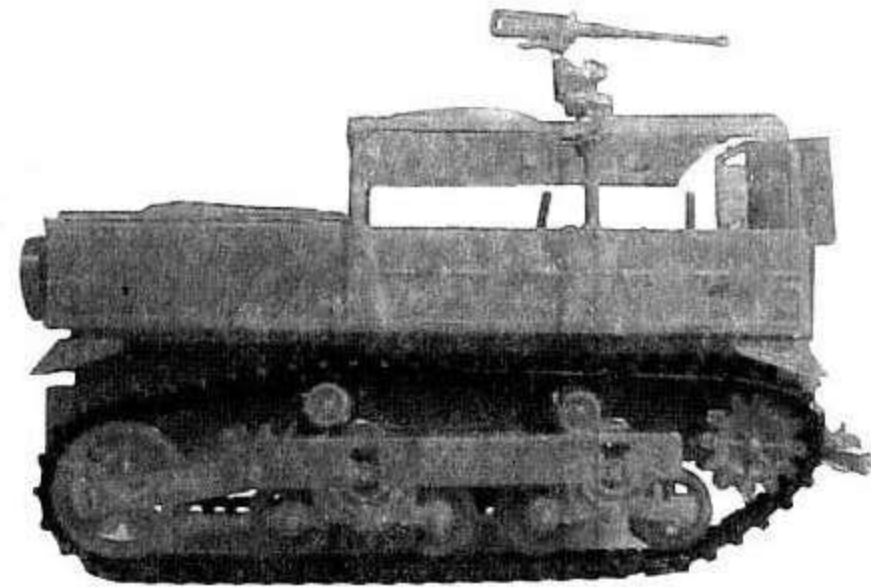
② 俯視圖
LOOK SIDE PICTURE



③ 正視圖
PLCTURE



④ 側視圖
LOOK SIDE PICTURE



所有配件:

- | | | | |
|------------|-------------|-----------------------------------|---------------------------------------|
| 1. 車底 | 28. 左車輪外板 | 1.chassis | 28.left cartwheel out board |
| 2. 車廂板 | 29. 右車輪外板 | 2.compartment plates | 29.right cartweel outboard |
| 3. 車頭板 | 30. 右車輪內板 | 3.car plates | 30.right cartwheel endo plates |
| 4. 車尾板 | 31. 車廂左側板 | 4.car rear plates | 31.compartment left arthropleure |
| 5. 車廂蓋 | 32. 車廂右側板 | 5.compartment lid | 32.compartment right arthropleure |
| 6. 座椅 | 33. 車廂小側板 | 6.seater | 33.compartment left guarthropleure |
| 7. 槍支架 | 34. 車廂座位側板 | 7.gunstock | 34.compartment seater arthropleure |
| 8. 槍底座 | 35. 車廂右小側板 | 8.handarm bed | 35.compartment right gun arthropleure |
| 9. 擺杆 | 36. 車廂內側板 | 9.wobble Bar | 36.compartment endo tablet |
| 10. 小槍杆 | 37. 小車輪 | 10.gun billet | 37.gun cartwheel |
| 11. 前後拉鉤 | 38. 大車輪 | 11.sagittal puller | 38.big cartwheel |
| 12. 車輪支架左蓋 | 39. 左帶齒輪蓋 | 12.carwheel trestle left casing | 39.left time cartwheel lid |
| 13. 車輪支架右蓋 | 40. 右帶齒輪蓋 | 13.cartweel trestle dexter casing | 40.right tine cartwheel lid |
| 14. 左霧燈 | 41. 左帶齒輪內車輪 | 14.left mist lamp | 41.left tine endo lartwheel |
| 15. 右霧燈 | 42. 右帶齒輪內車輪 | 15.right mist lamp | 42.right tine endo cartwheel |
| 16. 槍底座 | 43. 左小車輪 | 16.underfugs bed | 43.levo gun cartwheel |
| 17. 車頭安全杆 | 44. 右小車輪 | 17.pate seurity billet | 44.right gun cartwheel |
| 18. 大炮支架 | 45. 機關槍 | 18.ordnance trestle | 45.machine gun |
| 19. 車箱後蓋 | 46. 螺絲 | 19.compartment | 46.screw |
| 20. 小槍杆 | 47. 士兵A | 20.gun billet | 47.A soldiery |
| 21. 左緩衝板 | 48. 士兵A槍 | 21.left windings plywood | 48.A soldiery company gun |
| 22. 右緩衝板 | 49. 士兵B | 22.right windings plywood | 49.soldiery B |
| 23. 緩衝 | 50. 士兵C | 23.windings | 50.soldiery C |
| 24. 車尾安全杆 | 51. 士兵D | 24.car rear security railing | |
| 25. 機槍左底座 | 52. 車頭擋風窗 | 25.scatter left bed | |
| 26. 機槍右底座 | | 26.scattergun ight bed | |
| 27. 左車輪內板 | | 27.left cartwheel endo plates | |

13吨高速轨道车M5 13TON HIGH SPEED TRACTOR M5



ITEM NO 04



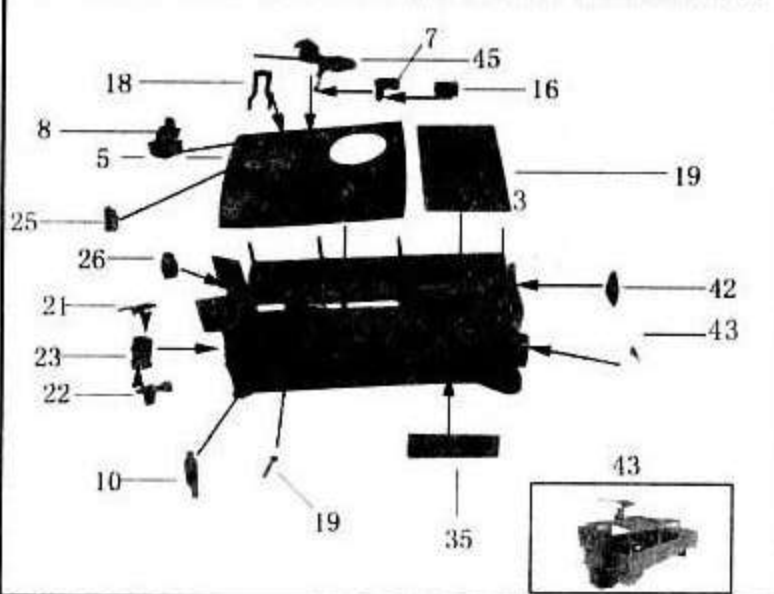
注意：
在裝配之前務必看清說明書。
12歲以下兒童組裝時，大人應邊看說明書邊指揮。
1. 準備組裝材料，組裝前閱讀說明書。
2. 撕掉和扔掉防礙小孩運動的塑料包裝及工具箱，防止小孩活動時罩在頭上。
3. 適當地剪切掉部件，把部件周圍的廢物扔進垃圾簍。
4. 不要玩零件，因為有些很銳利，需要注意關心家裏的未成年者。
5. 不要誤吞任何部件，讓小孩避開。
6. 不正確或粗心使用鑷子、挫刀切割時，將會影響組裝。
7. 使用膠水粘接時，注意以下幾點：
a. 不要在關閉的房間裏使用避免中毒。
b. 不要在火邊進行，以免燃燒掉。

CAUTION
MAKE SURE TO READ INSTRUCTIONSTED BELOW BEFORE ASSEMBLING.
ADULT SUPERVISOR SHULD ALSO READ INSTRUCTIONS WHEN ASSEMBLED BY CHILDFED 12OR YOUNGER.
1.THIS BEING ANASSEMBLY KITREAD THE INSTUCTIONS BEFORE ASSEMBLEING.
2.TEAR JPAND THROW THEPIASTIC BAGSCONTA NGKIT PARS AS CHLDREDMAY SUFFOCATE BY SWALLOWINGOR WEARING OVER HEAD.
3.OUT THE PARTS OFF PROPERY ANDTHFWO THE WASTE PARTS INTO DUSTBOX AT CNCE.
4.DO NOT PLAY WITH THE PARTS FOR ANY OTHER PJRPOSE AS SONEPARTS MAY BE TOO SHARR MORE CAUTION AND CARENEEDED FOR FAMILISE WITH INFANTS.
5.DO NOT SWALLOW ANY PARTS AND OYT-OFF CHIPS KEEP AWAY FROM REACH OF DHILBREN.
6.WRONG OR CARELESS USAGE OF NIPPER CUTTER FILE ECT MAY HURT THE ASSEMBLER.
7.BE CAUTIOUS AS FOLLOWS WHEN USING ADHESIVES ANDIOR PAINTS:
A.DO NOT USE IN CLOSED ROOM TO AVOID POISONING TOXIC.
B.DO NOT USE NEAR FIRE TO ANOID FLAMMABILITY.

組裝前必備小刀、刷子、剪刀，膠水、以便在組裝時修掉零配件多的部分。

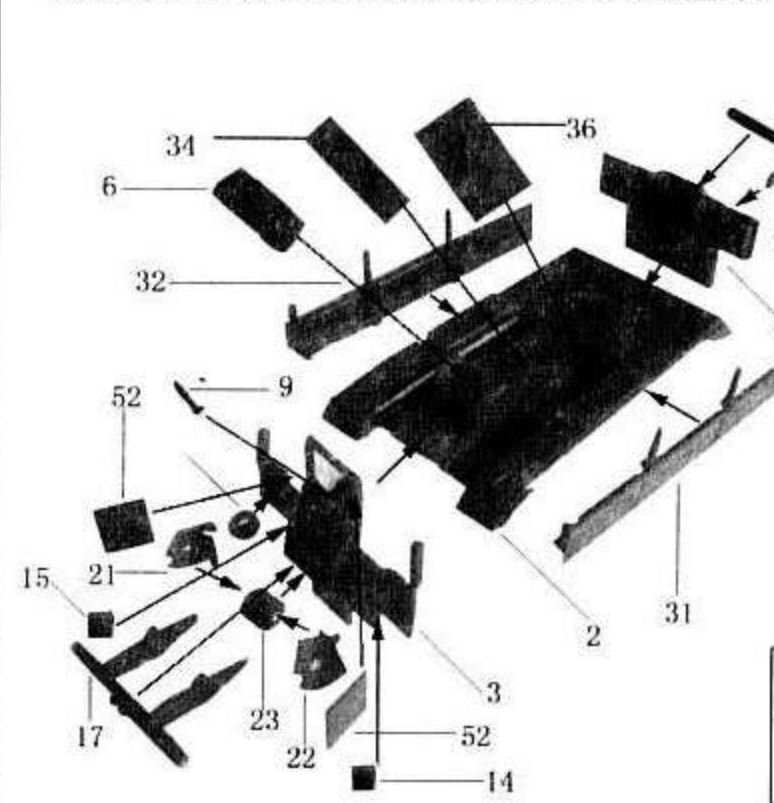
BEFORE INSTALL, YOU MUST READY A KNIFE, SCISSORS AND A BRUSH, IN ORDER TO CONVENIENCE INSTALL.

① 組裝後車廂
GROUPS LADE REAR COMPARTMENT



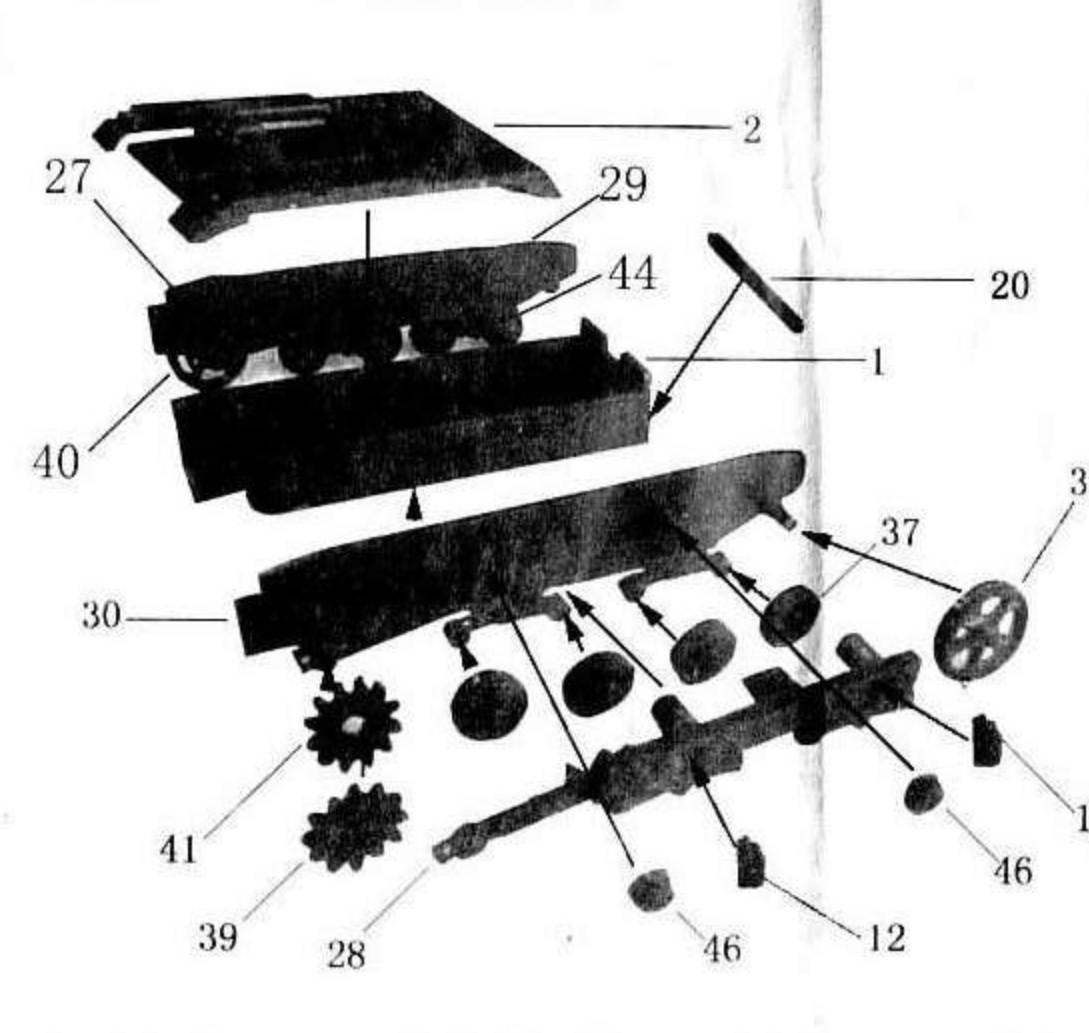
- | | |
|-------------|---------------------------------------|
| 5. 車廂蓋 | 5.compartment lid |
| 7. 槍支架 | 7.gunstock |
| 8. 槍底座 | 8.hand arm bed |
| 10. 小槍杆 | 10.gun billot |
| 16. 槍底座 | 16.underfugs bed |
| 18. 大炮架 | 18.ordnance trestle |
| 19. 車廂後蓋 | 19.compartment |
| 21. 左綫圍板 | 21.left windings plywood |
| 22. 右綫圍子 | 22.right windings plywood |
| 23. 綫圍 | 23.windings |
| 25. 機槍左底座 | 25.scatter left bed |
| 26. 機槍右底座 | 26.scatter-gun right |
| 33. 車廂小側板 | 33.compartment left guarrthropleure |
| 35. 車廂右小側板 | 35.compartment right gun arthropleure |
| 42. 右帶齒輪內車輪 | 42.right tine endo cartwheel |
| 43. 左小車輪 | 43.levo gun cartwheel |
| 45. 機關槍 | 45.machine gun |

② 組裝車廂及底座
GROAPSLADE REAR COMPARTMENT



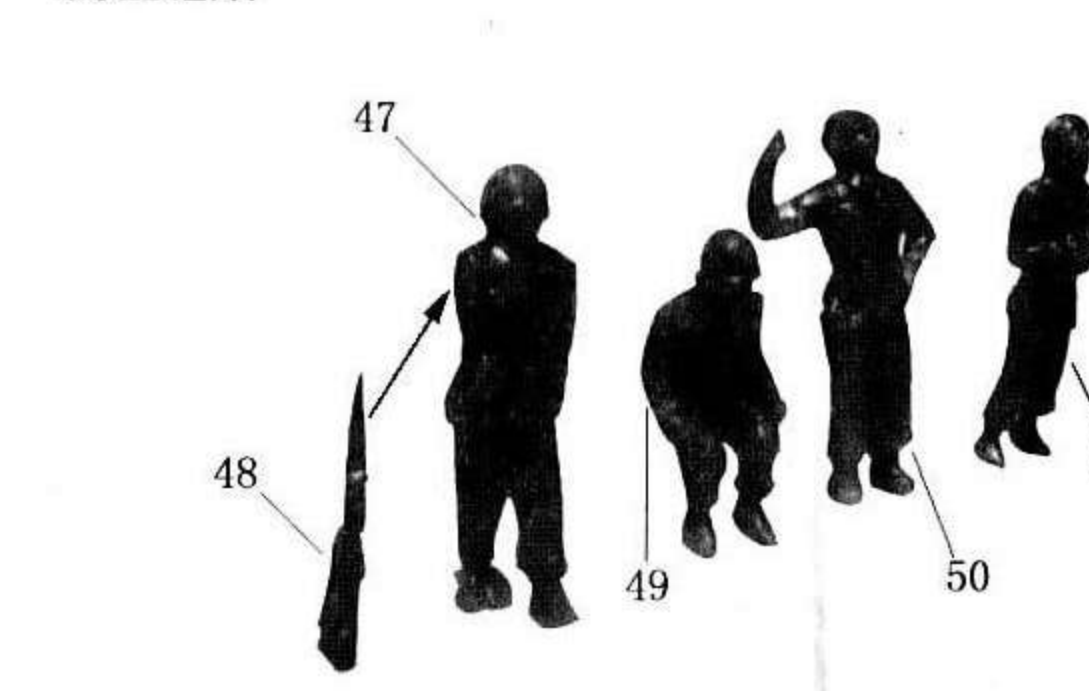
- | | |
|------------|------------------------------------|
| 2. 車廂板 | 2.sompar tment plates |
| 3. 車頭板 | 3.car plates |
| 4. 車尾板 | 4.car rear plates |
| 6. 座椅 | 6.seater |
| 9. 擺杆 | 9.wobble Bar |
| 11. 前後拉鈎 | 11.sagittal puller |
| 14. 左霧燈 | 14.left mist lamp |
| 15. 右霧燈 | 15.right mist lamp |
| 17. 車頭安全杆 | 17.pate security billot |
| 21. 左綫圍板 | 21.left windings plywood |
| 22. 右綫圍子 | 22.right windings plywood |
| 23. 綫圍 | 23.windings |
| 24. 車尾安全杆 | 24.car rear security railing |
| 31. 車廂左側板 | 31.compartment left arthropleure |
| 32. 車廂右側板 | 32.compartment right arthropleure |
| 34. 車廂座位側板 | 34.compartment seater arthropleure |
| 36. 車廂內側板 | 36.compartment endo tablet |
| 52. 車頭擋風窗 | 52.compartment cowl |

③ 組裝車輪及底座
GROUPS LADE CARTWHEEL



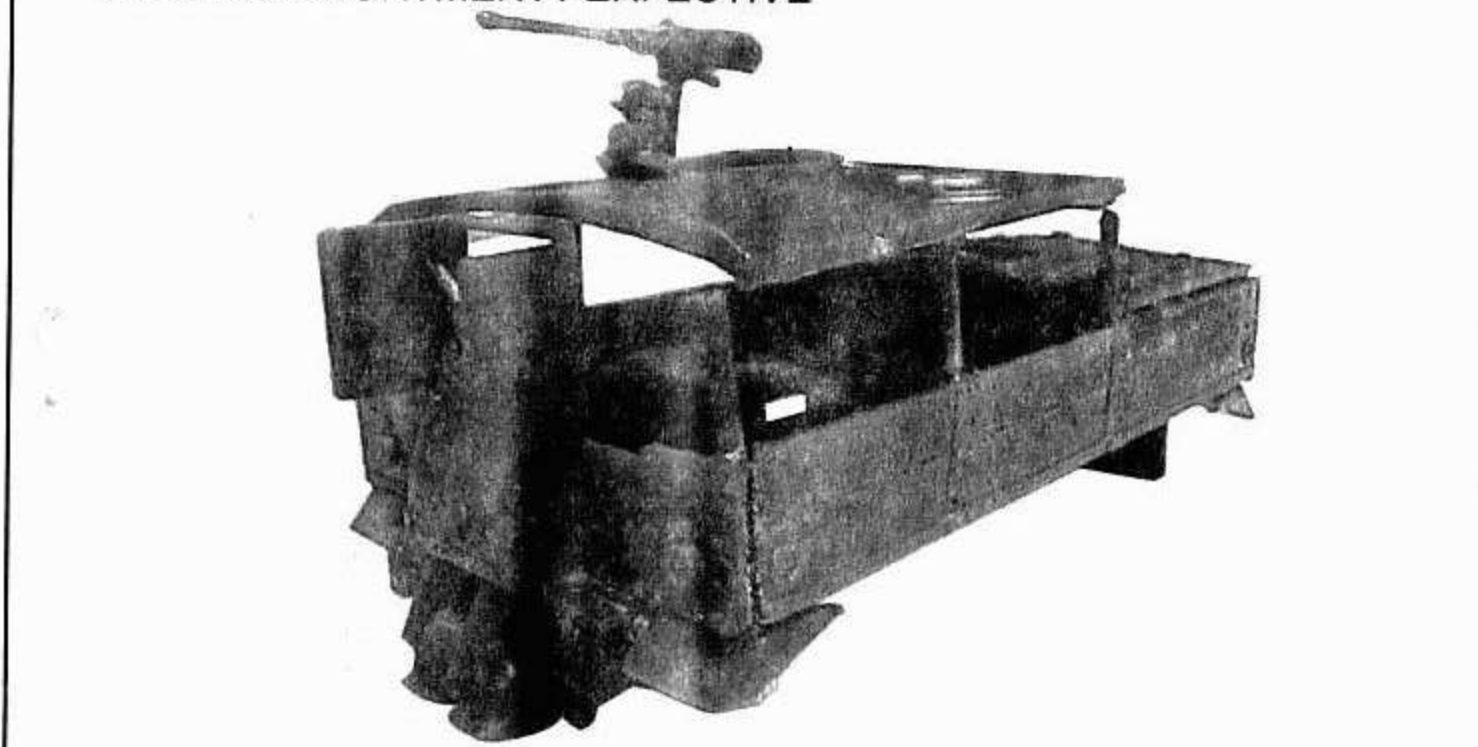
- | | |
|------------|-------------|
| 1. 車底 | 30. 右車輪內板 |
| 2. 車廂板 | 37. 小車輪 |
| 12. 車輪支架左蓋 | 38. 大車輪 |
| 13. 車輪支架右蓋 | 39. 左帶齒輪蓋 |
| 20. 小槍杆 | 40. 右帶齒輪蓋 |
| 27. 左車輪內板 | 41. 左帶齒輪內車輪 |
| 28. 左車輪外板 | 44. 右小車輪 |
| 29. 右車輪外 | 46. 螺絲 |
| | 48. 士兵A槍 |

④ 士兵圖
SOLDIERY



- | |
|-----------------------------------|
| 1.chassis |
| 2.sompar tment plates |
| 12.carwheel trestle left casing |
| 13.cartweel trestle dexter casing |
| 20.gun billot |
| 27.left carwheel endo plates |
| 28.left cartwheel out board |
| 29.right cartwheel outboard |
| 30.right cartwheel endo plates |
| 37.gun cartwheel |
| 38.big cartwheel |
| 39.left tine cartwheel lid |
| 40.right tine cartwheel lid |
| 41.left tine endo lartwheel |
| 44.right gun cartwheel |
| 46.screw |
| 48.A soldiery company gun |

⑤ 後車廂完成圖
REAR COMPURTMENT PERFECTIVE



⑥ 鏈條的位置
CHAIN BELT EMPLACEMENT

