

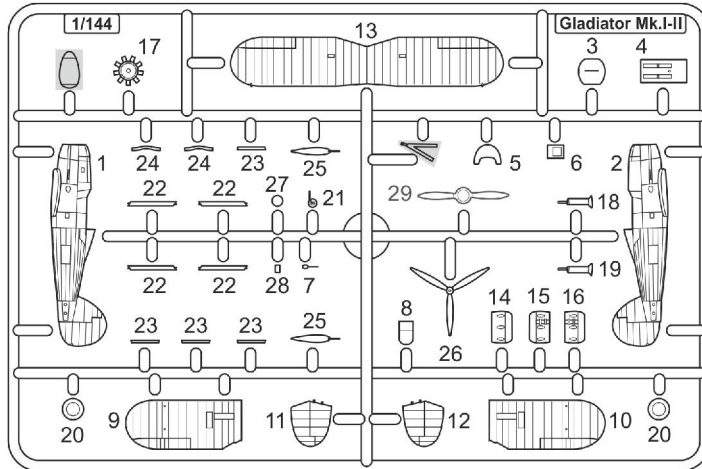
GLOSTER GLADIATOR MK.I/II IN NORWAY



MKM144183
1/144 scale

MARK I Ltd.
PO Box 10
Prague 10 - Strašnice
CZ-100 31
Czech Republic
mark1@gmail.cz
www.4pluspublications.com

plastic parts

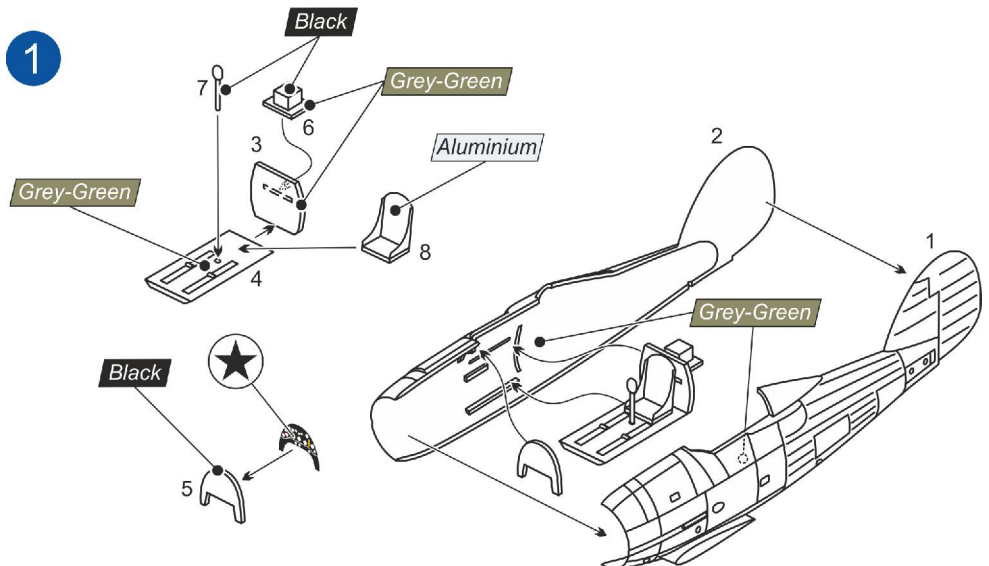


clear part

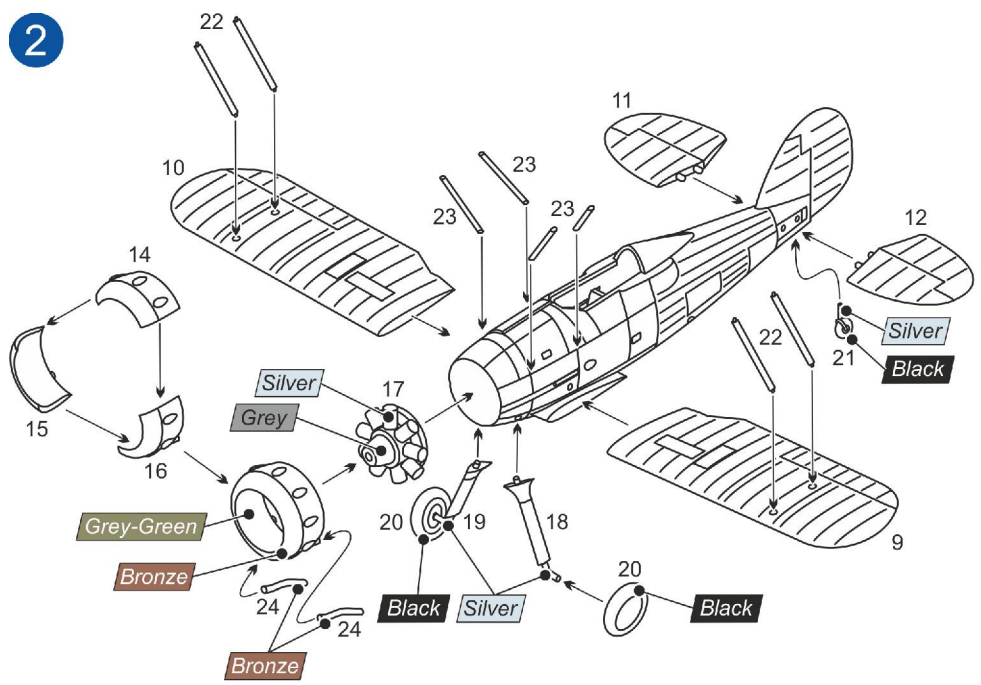


parts not to be used

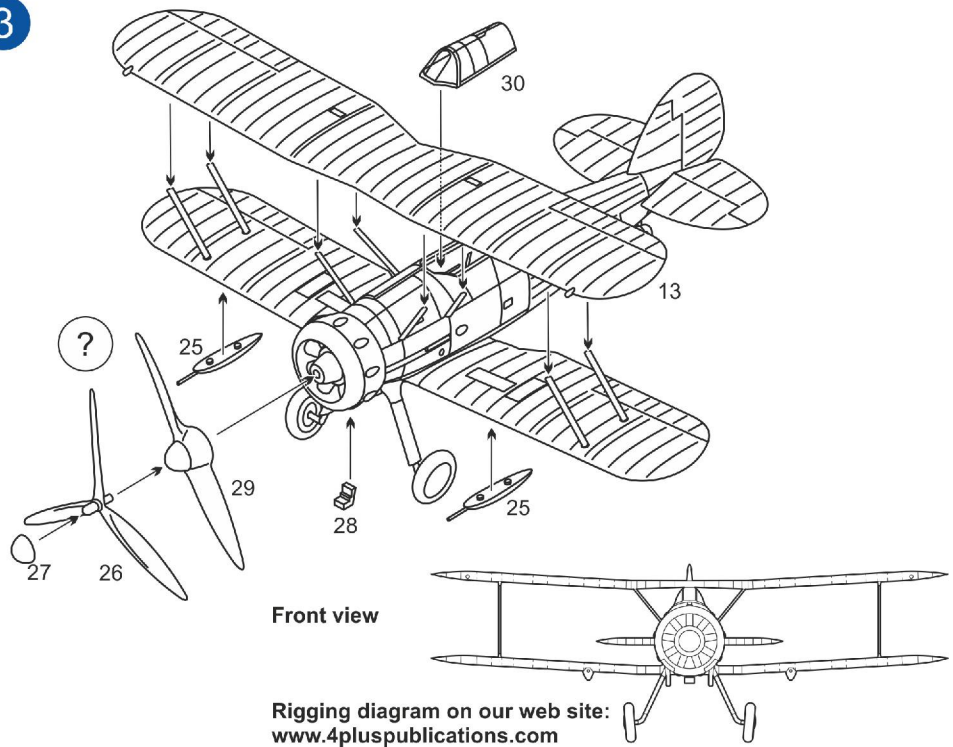
- Repeat this operation
- Glue
- Don't glue
- Decal
- Detach/cut
- Optional



2



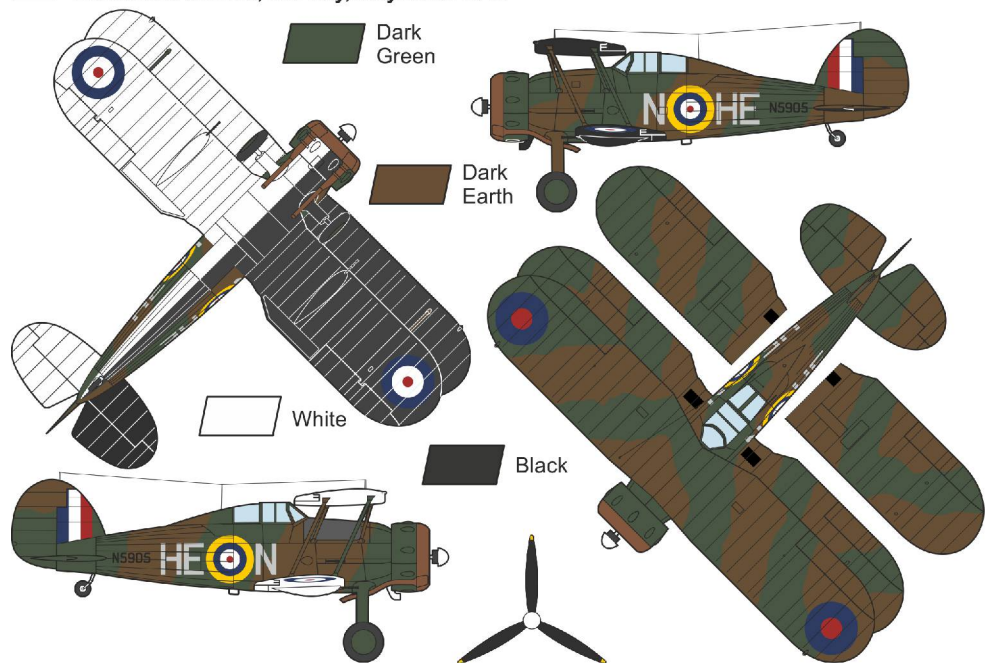
3



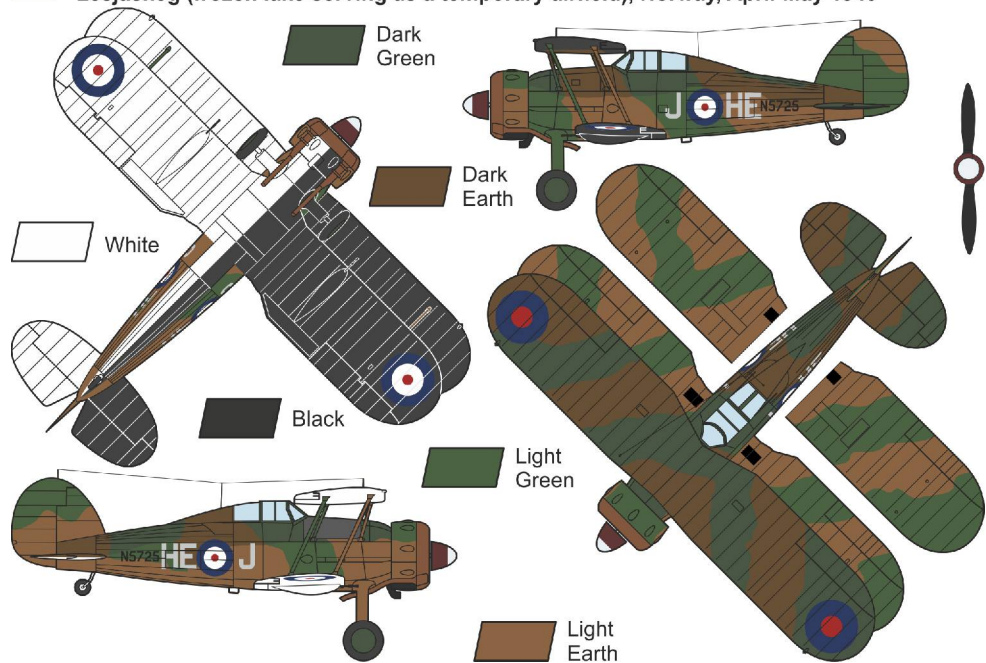
Front view

Rigging diagram on our web site:
www.4pluspublications.com

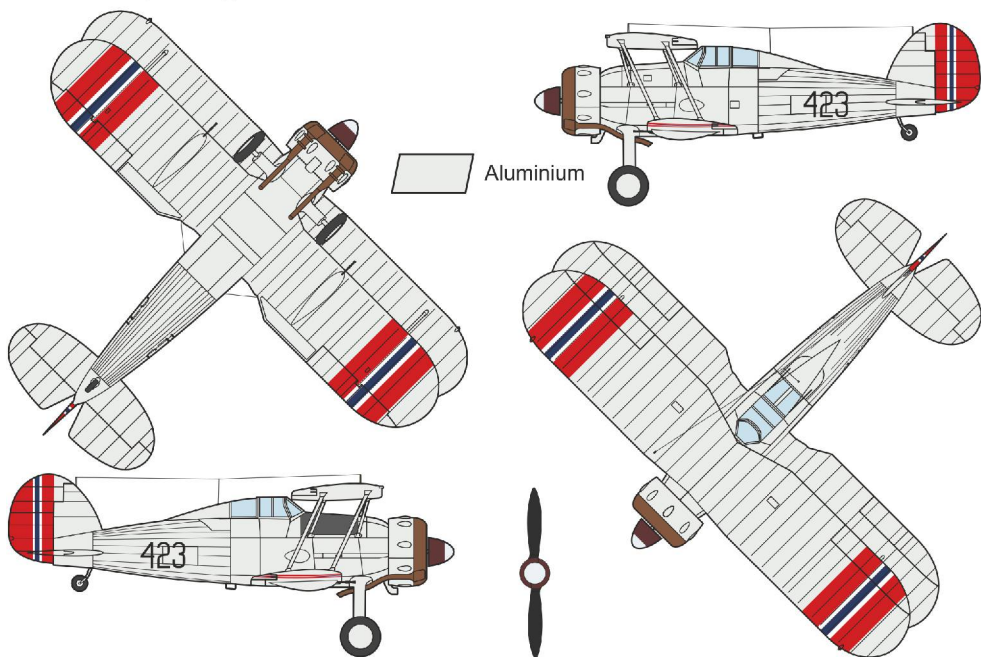
A Gloster Gladiator Mk.II, N5905, Grey HE-N, No.263 Sq., RAF, Norwegian Campaign, Bardufoss airfield, Norway, May/June 1940



B Gloster Gladiator Mk.II, N5725, Grey HE-J, No.263 Sq., RAF, Norwegian Campaign, Lake Lesjaskog (frozen lake serving as a temporary airfield), Norway, April-May 1940



C Gloster Gladiator Mk.I, Black 423, Norwegian Army Air Service (Hærens flyvåpen), Kjeller airfield, Norway, 1938-39



D Gloster Gladiator Mk.II, Black 433, Fighter Wing (Jagevingen), Norwegian Army Air Service (Hærens flyvåpen), Fornebu Airport, Norway, April-May 1940

