



PIPER SUPER CUB

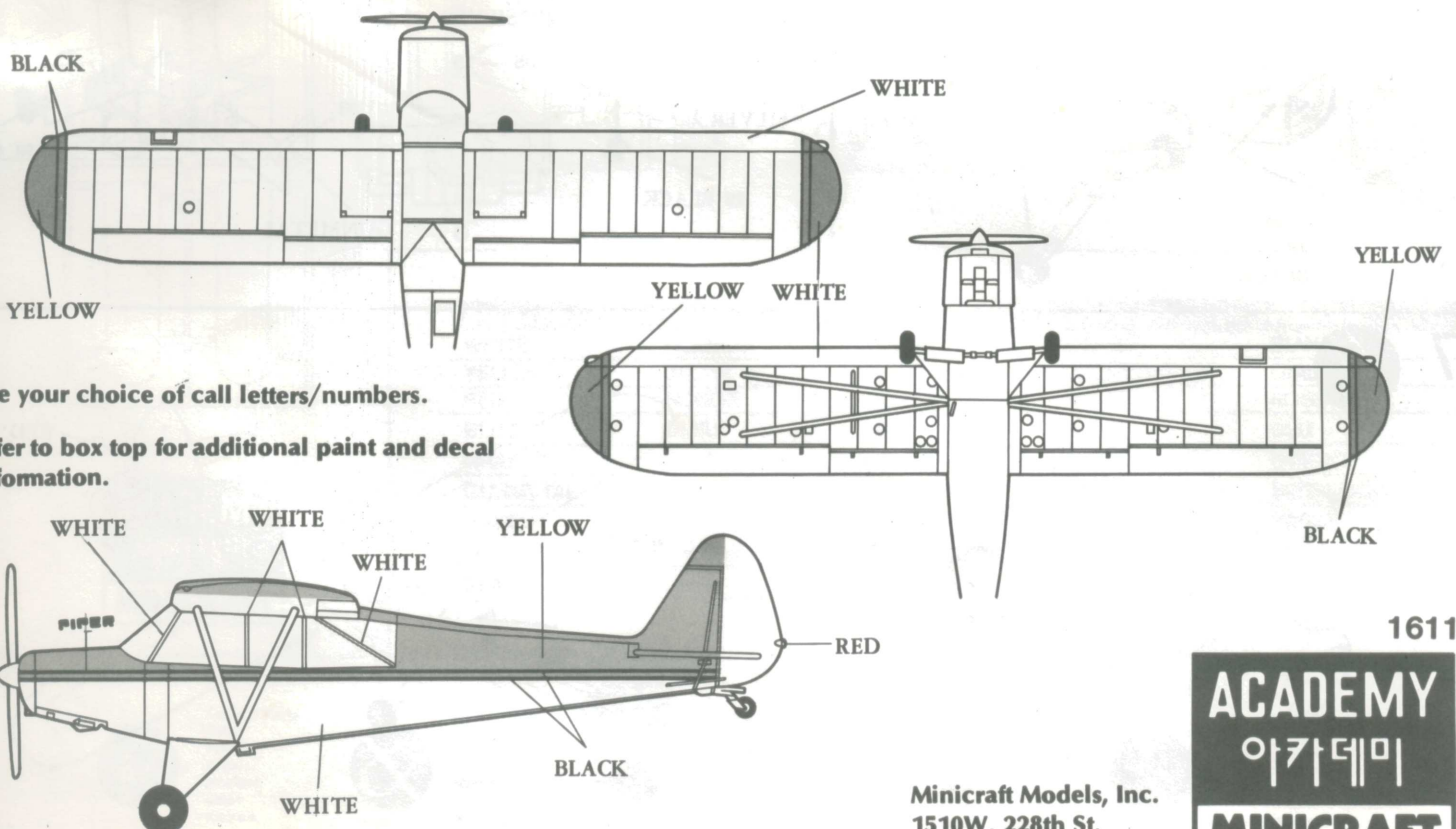
1/48 Scale

The Piper P-A18 Super Cub was first introduced in 1949, and holds the record for continuous production (over 22 years) for a tandem tow seat aircraft. It was the final development of the famous Piper Cub, which was originally certified in February, 1934, as the Taylor "Cub".

The PA-18 version was developed for cropdusting, and two other models of the plane were used by the military as the L-18 and L-21 observation scouts. The Super Cub was able to handle more powerful engines than the earlier Cub, up to 150 hp. With a range of 500 miles, the super Cub could travel nearly twice as far as the older model on a tankful.

With a top speed of 130 mph, the Super Cub was not fast, but it was quite enjoyable to fly, and a very popular machine among sportsman pilots. It could be fitted with floats or skis, and could be easily repaired, if damaged.

SPECIFICATIONS: Two seat sport plane, powered by a 150 hp Lycoming engine. Top speed was 130 mph, ceiling was 19,000 feet. Range was 500 miles.



Use your choice of call letters/numbers.

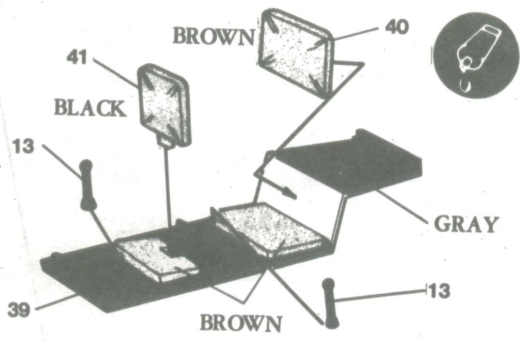
Refer to box top for additional paint and decal information.

Copyright 1988 Minicraft Models, Inc.

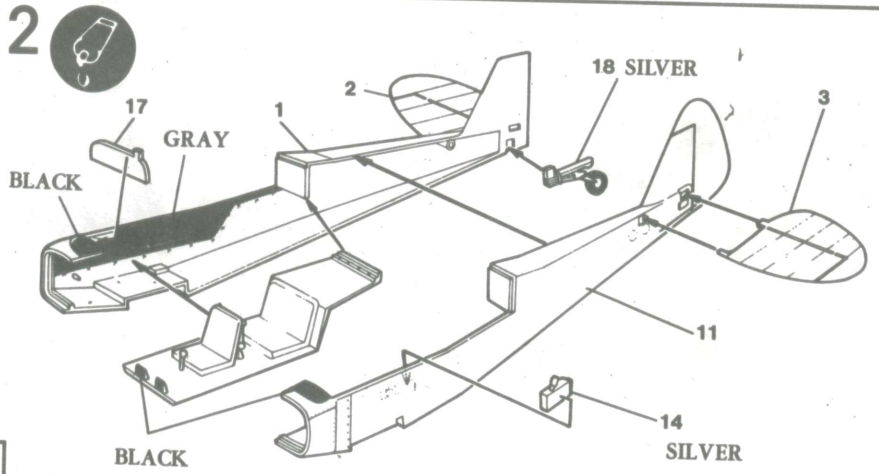
Minicraft Models, Inc.
1510W. 228th St.
Torrance, Calif. 90501



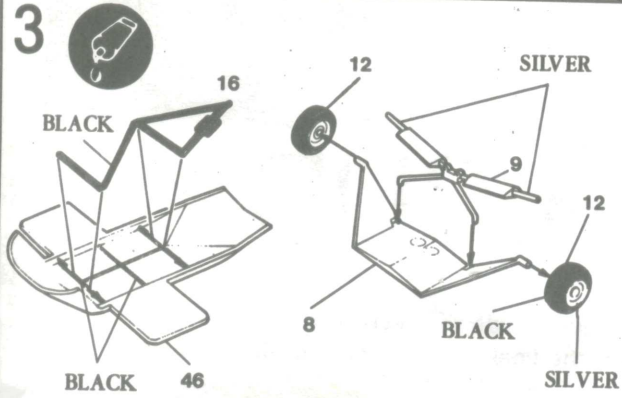
1



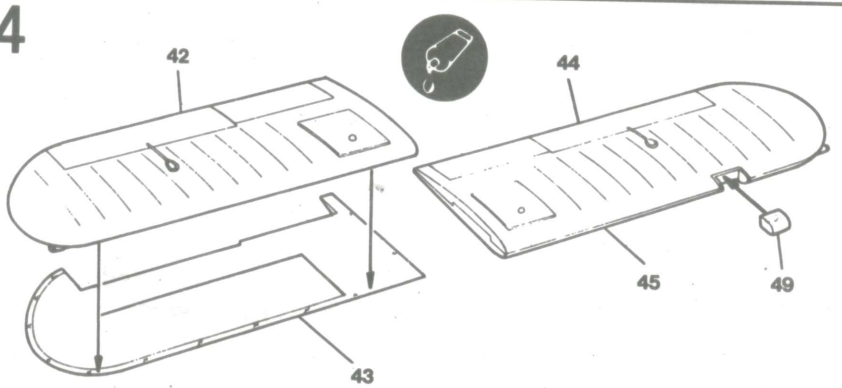
2



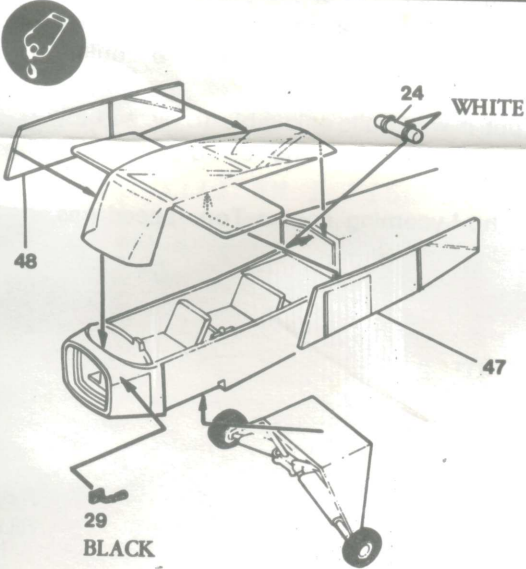
3



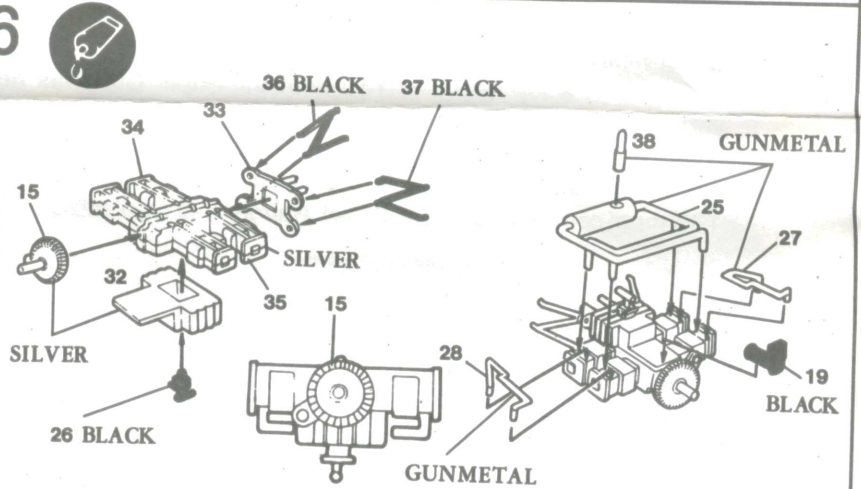
4



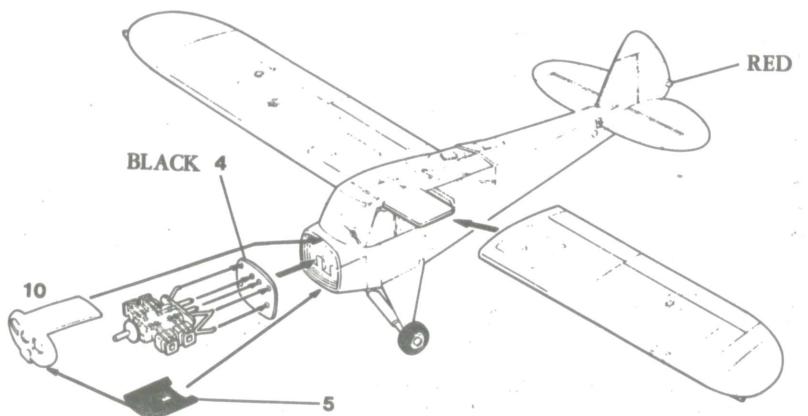
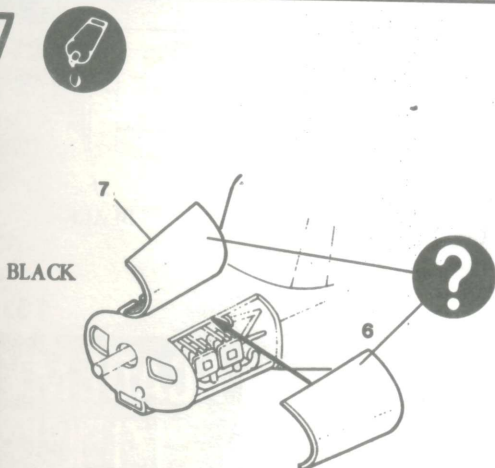
5

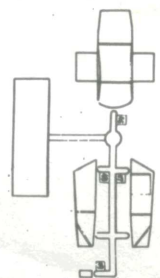
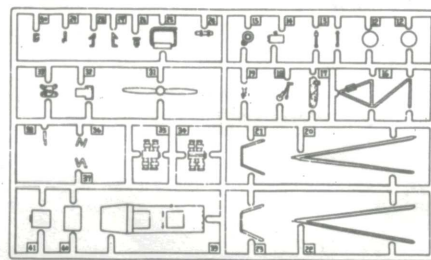
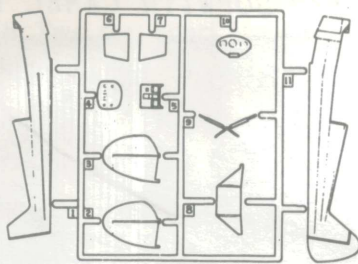
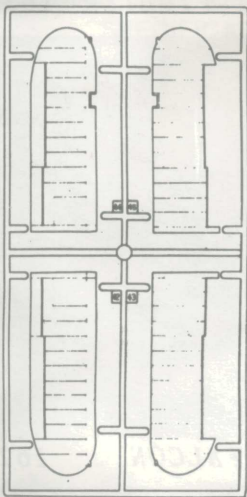
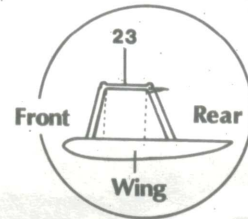
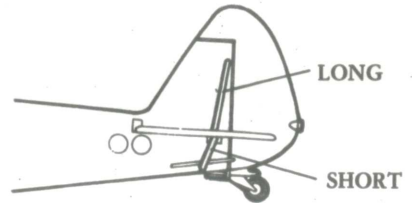
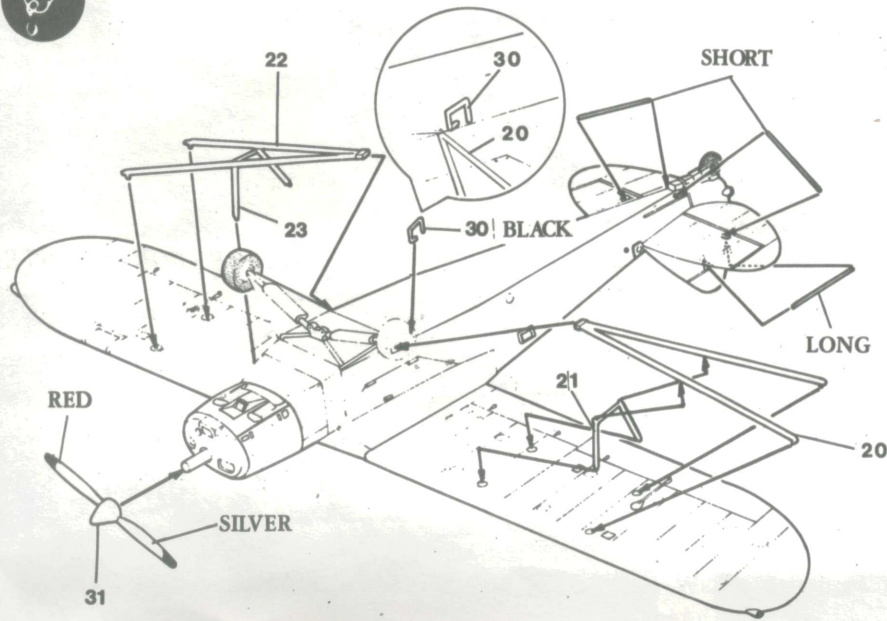
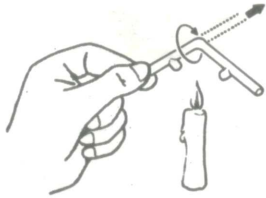


6



7





ACADEMY
아카데미
MINICRAFT

ENGLISH	FRENCH	GERMAN	SPANISH	ITALIAN
WHITE	BLANCO	WEISS	BLANC	BIANCO
YELLOW	JAUNE	GELB	AMARILLO	GIALLO
RED	ROUGE	ROT	ROJO	ROSSO
BLUE	BLEU	BLAU	AZUL	BLU
GRAY	GRIS	GRAU	GRIS	GRIGIO
GUNMETAL	METALLIC	METALLIC	METALICO	METALLICO
GREEN	VERT	GRUN	VERDE	VERDE
SILVER	ARGENT	SILBERN	PLATA	ARGENTO
BLACK	NOIR	SCHWARTZ	NEGRO	NERO



Cement Parts
Coller
Kleben
Pegar
Incollare
Colar
Kleben



DO NOT cement
Ne pas coller
Nicht kleben
No pegar
Non incollare
Nao colar
Niet kleven



Cut away
Couper
Scheiden
Cortar
Tagliare
Cortar
Snijden



Optional parts
Choix
Auswahlmöglichkeit
Eleccion
Scelta
Opcao
Keuze



3

Repeat operation
Répéter l'opération
Vorgang wiederholen
Repitir la operacion
Ripetere
Repitir a operação
Herhalen



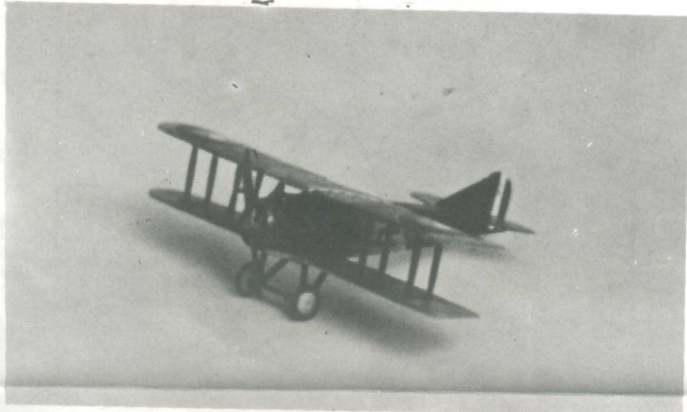
1631

1/48 F-5A NORTHROP FREEDOM FIGHTER



1632

1/48 NORTHROP F-5B FREEDOM FIGHTER



1/72 SPAD XIII WW I FIGHTER 1623



1/72 SOPWITH CAMEL WW I FIGHTER 1624

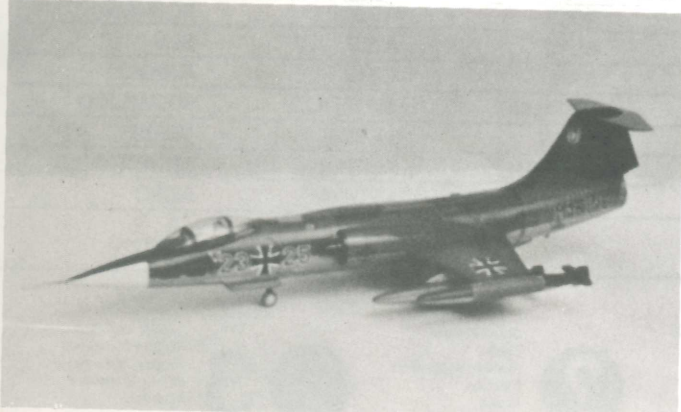


1633

1/72 F-5A NORTHROP FREEDOM FIGHTER



1/72 YF-16 FIGHTING FALCON 1620



1/72 LOCKHEED F-104G STARFIGHTER 1619



1/72 MIG-21 FISHBED 1618