

**LEGATO**  
Cast  
KITS

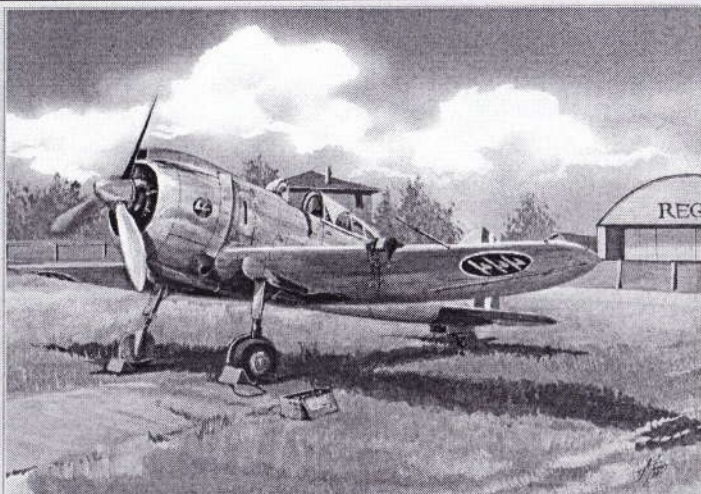
# Reggiane Re 2000

prototipo MM.408

injection moulded  
kit

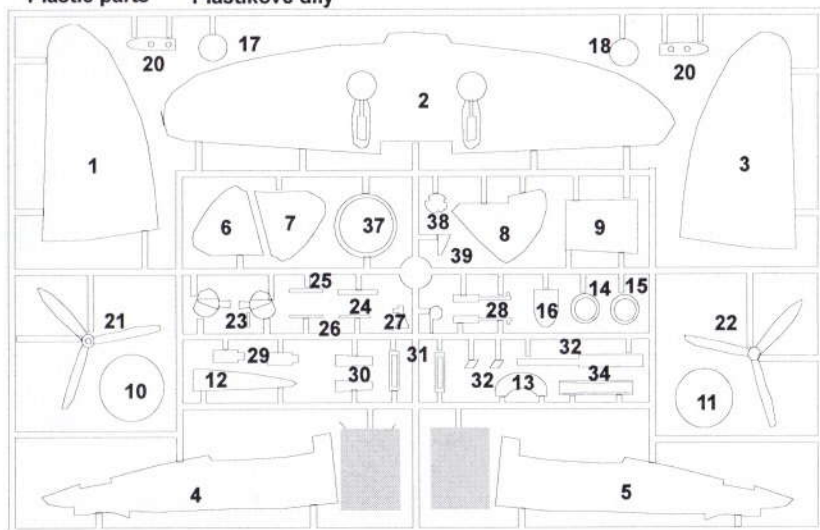
1/72  
Scale

cat.n.7208



Plastic parts

Plastikové díly



Resin parts

Resinové díly

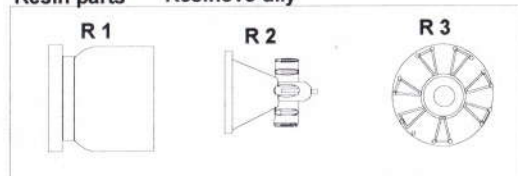
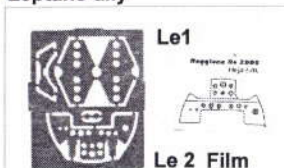


Photo-Etched parts  
Leptané díly



OPTIONAL



BEND



OPEN HOLE



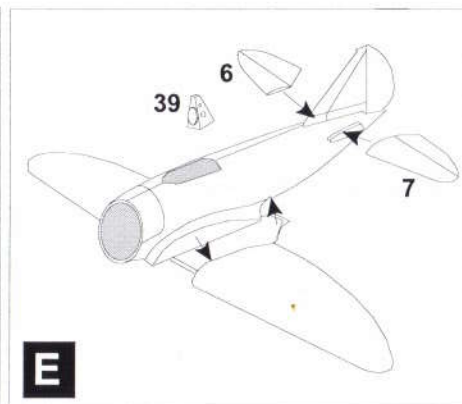
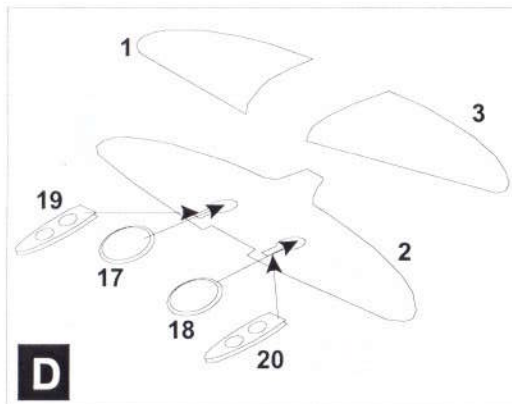
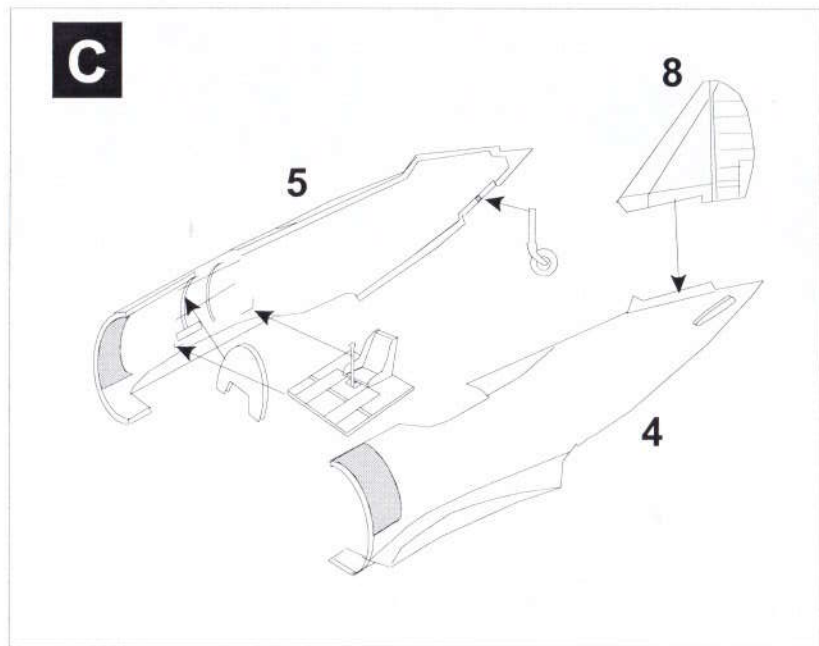
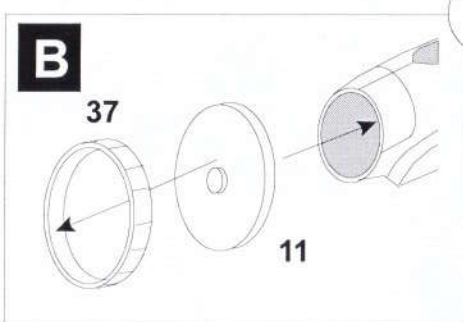
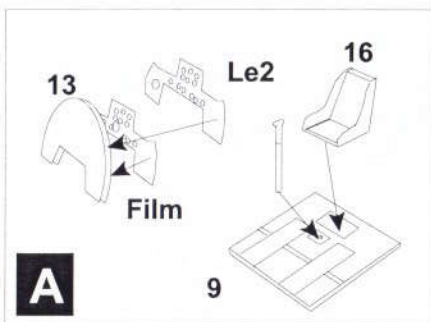
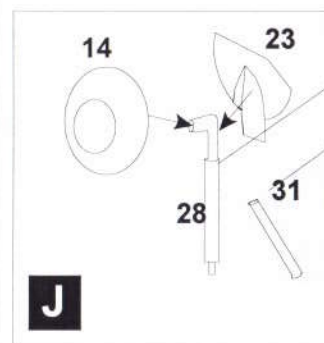
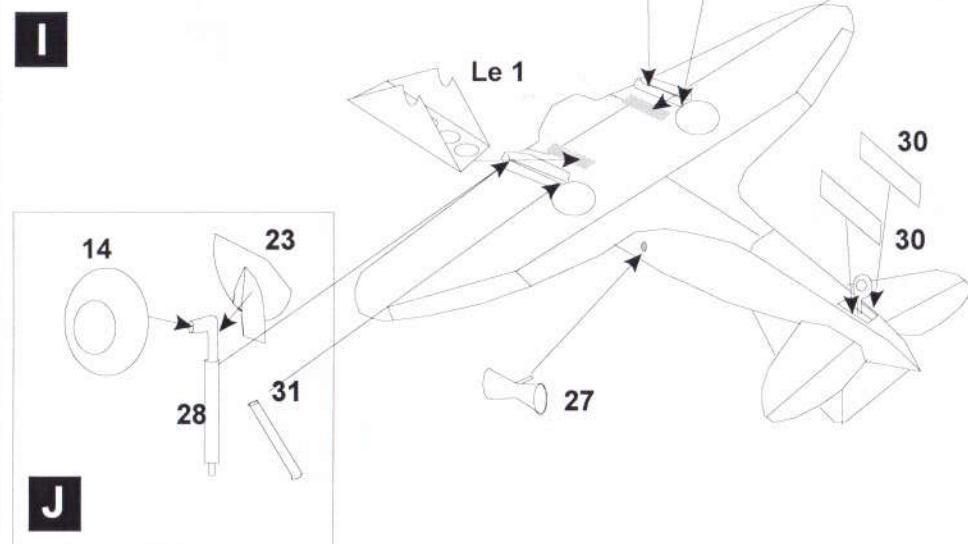
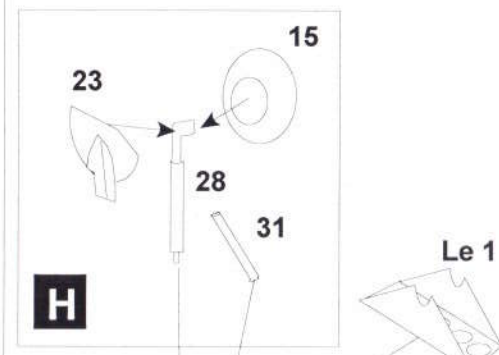
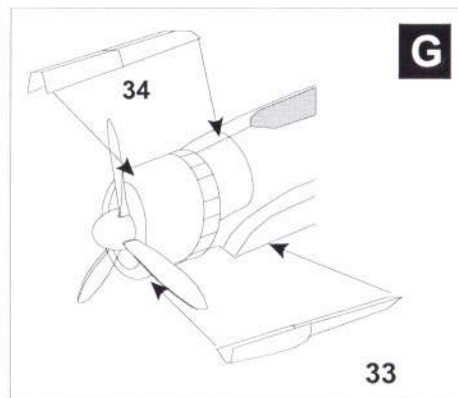
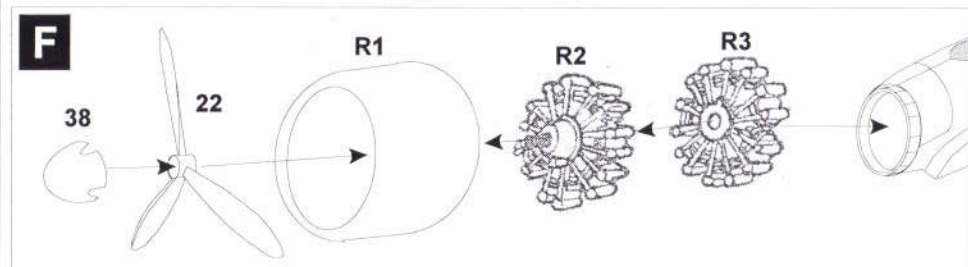
SYMMETRICAL  
ASSEMBLY

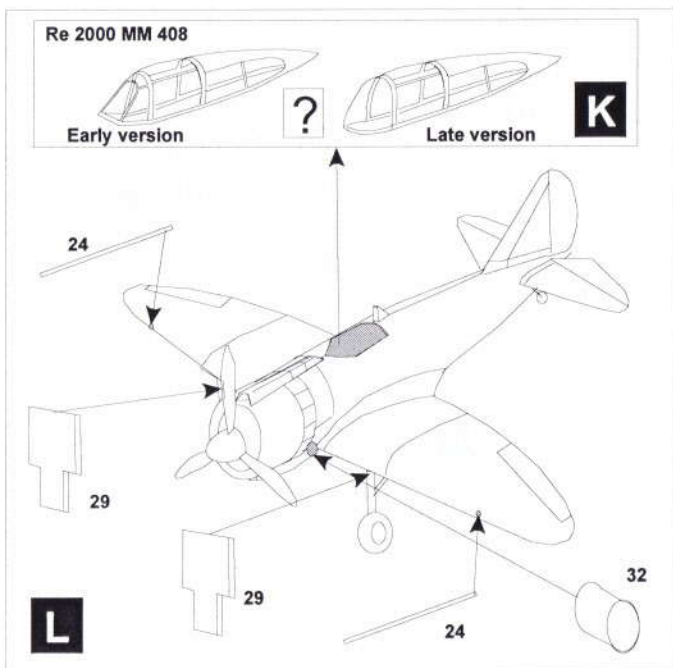


A NOTH



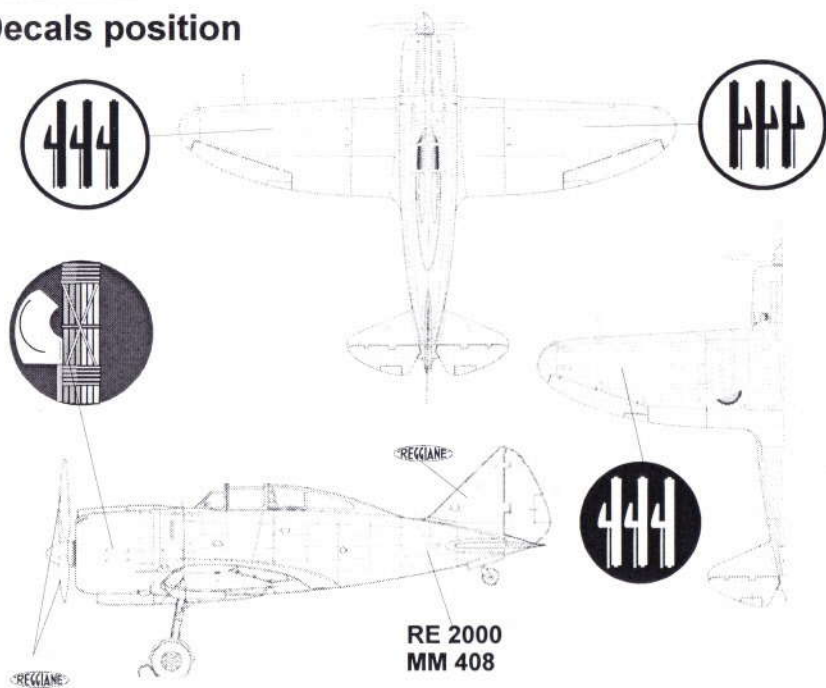
REMOVE

**2****3**



H-MODELS  
2005 ©

## Decals position

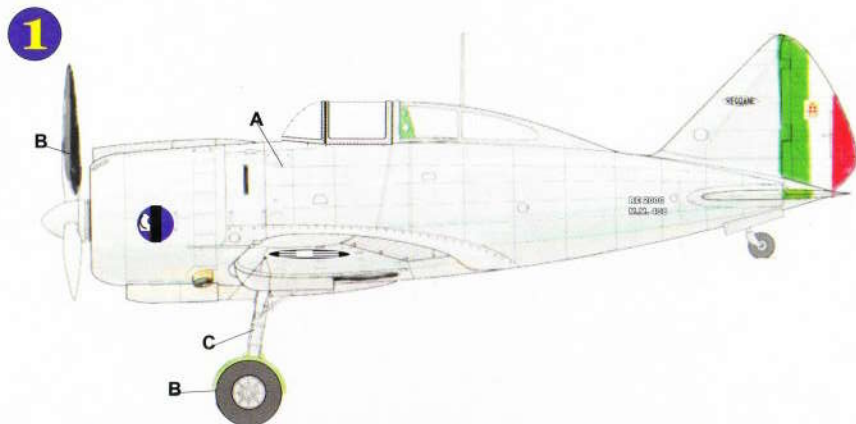


H-MODELS  
2005 ©



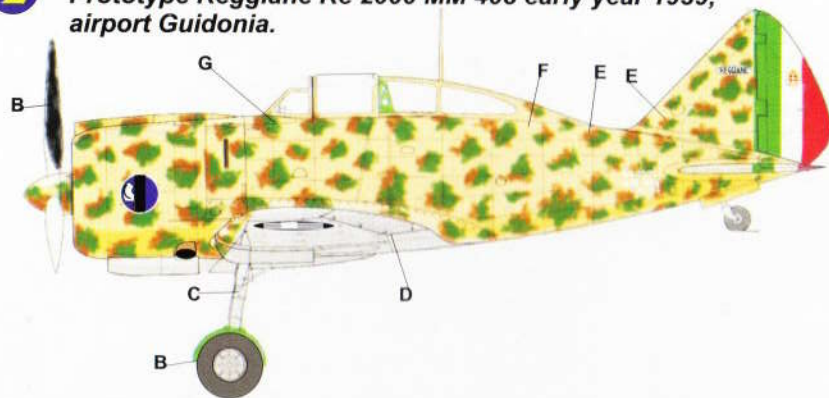
# REGGIANE RE 2000 Prototipo MM 408

**LEGATO**  
plastic  
KITS



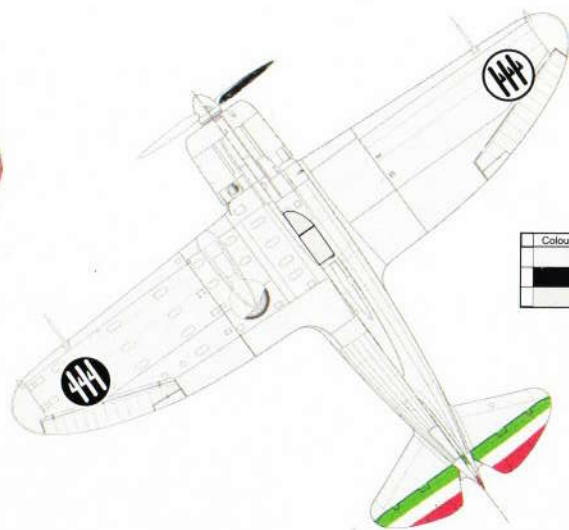
Prototyp Reggiane Re 2000 MM 408 počátkem roku 1939, letiště Guidonia.

**2** Prototype Reggiane Re 2000 MM 408 early year 1939, airport Guidonia.



Prototyp Reggiane Re 2000 MM 408 koncem roku 1939, letiště Guidonia.

Prototype Reggiane Re 2000 MM 408 late year 1939, airport Guidonia.



Colour	Material Name	Name colour
46 Me	Aluminium	
07 M	Black	
	Steel	



Colour	Material Name	Name colour
15 M	Light Grey	
07 M	Black	
C 57 P	Red Brown	
14 M	Sand	
11 M	Mottle Green	



RE 2000  
M.M. 408

16

RE 2000  
M.M. 408

## ***LEGATO KITS***

Reggiane RE 2000 M.M. 408

14



15

19



FE -kg 100  
CM -kg 70

18

FE -kg 100  
CU -kg 70



10



17

~~1000000~~

~~1000000~~

**Reggiane Re 2000**  
Heja I./II.

