

"HURRICANE" MK.II C/TROP

1:24 SCALE

英国“飓风”MK.II C/TROP

READ BEFORE ASSEMBLY:

- This kit is not recommended for inexperienced modelers or for children under 14 years of age
- Study and understand these instructions thoroughly before beginning assembly
- When needed, remove photo-etch parts carefully using a modeling knife or photo etch sprue cutter, being careful not to damage or lose small parts.
- Take extra care in handling photo etch parts in order to avoid injury
- Apply instant cement sparingly to photo etch parts where instructed

- Tools recommended(not included in kit):Plastic and instant cements,sprue cutters,long nose pliers,modeling knife, small files, tweezers, pin vise & scissors. Soft cloth and sandpaper will also assist in construction
- Glue and paint are not included in the kit. Use plastic cement and hobby paints only. Color guide for purchasing paint is included in the kit.
- Keep out of reach of children. They must not be allowed to ingest small parts or handle plastic bags in any way.

装配之前仔细阅读

- 小心用模型锉刀锉平所有零件表面的注射浇口。
- 小心用刀片切下蚀刻片零件，不要遗失小零件。
- 用强力快干胶水粘合蚀刻片零件和金属轴。过量的快干胶水使用可能导致可动零件会粘住，小心涂胶。
- 取蚀刻片时应特别注意安全，防止利边划伤手指。
- 某些零件表面需贴干水贴纸，请选择在装配的同时进行。
- 推荐模型工具(自备)：胶水、水口剪刀、长咀钳、刀片、锉刀、镊子钳、钻、剪刀、瞬间快干胶。
- 帆布同砂纸同时也应该是必备工具。
- 请使用塑料胶水和油漆，模型内不含。
- 谨防小孩吸吮塑料零件，或者将塑料袋套在头上，制作时应将袋材远离小孩接触。
- 本产品不适合14岁以下没有经验的模型爱好者。

水贴纸的使用:

- 1.从水贴纸上剪下印花;
- 2.将印花放入温水中浸10秒,然后放在干净布上;
- 3.拿着印花纸板将印花移到模型上;
- 4.手指蘸水将印花移到适当的位置;
- 5.用软布轻压印花直至水干,气泡消失。

DECAL APPLICATION:

- 1.Cut decals from sheet as needed
2. Dip the decal in warm water for about 10 seconds and then place on soft clean cloth.
3. Hold the decal backing sheet edge and gently slide the decal onto the model in its proper position.
4. While still wet,decal can be adjusted for better fit on model by dampening it gently with your finger.
5. When placed in the proper position,gently press decal down with a soft cloth until excess water and air bubbles are gone.
6. Allow decal to dry completely before handling model

使用强力胶

配重

钻孔

切割/Remove

Cyanoacrylate glue Weight

Make hole Cut / Remove



贴纸

锉平

选择

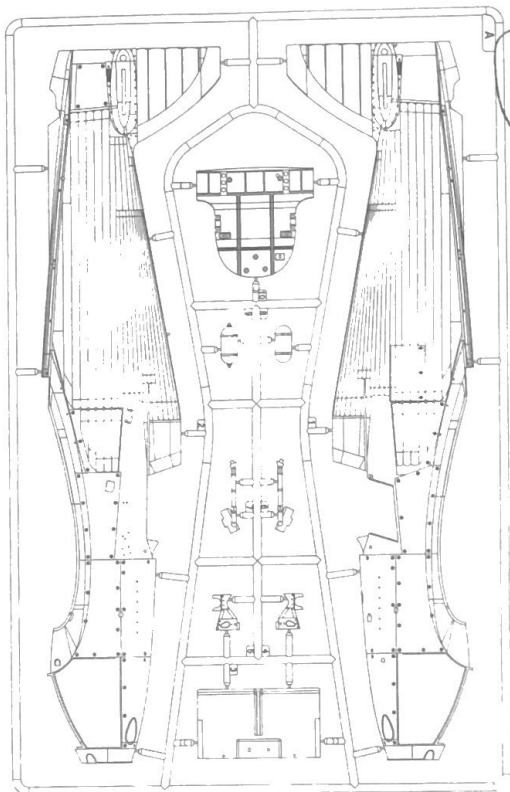
不涂胶水

弯曲

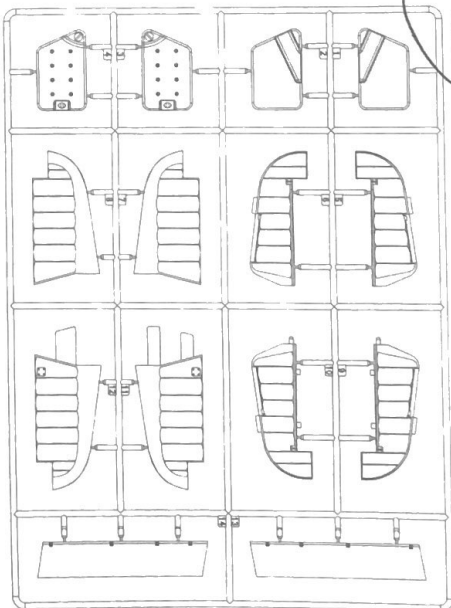
Decal File / Sand Option No cement Bend

部品图
Parts

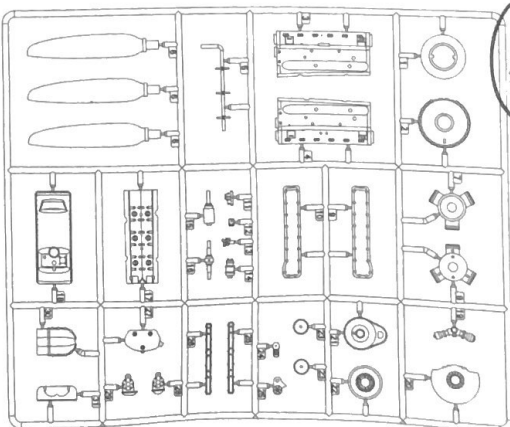
AX1



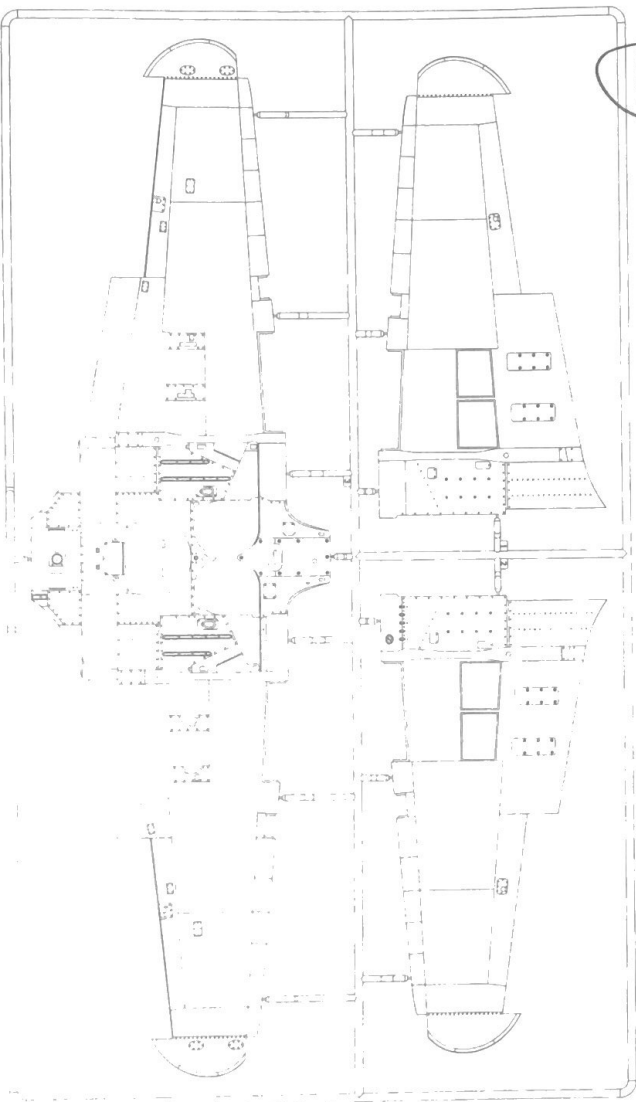
DX1



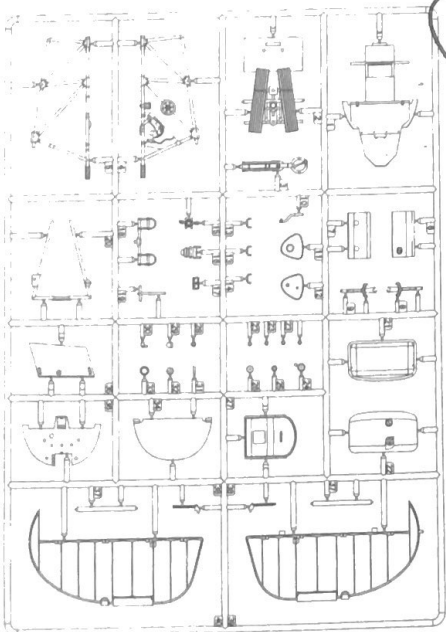
EX1



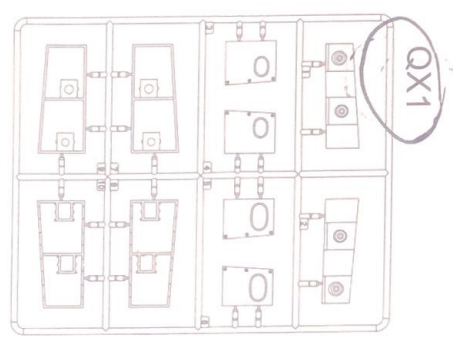
CX1



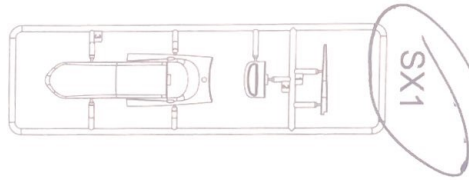
GX1



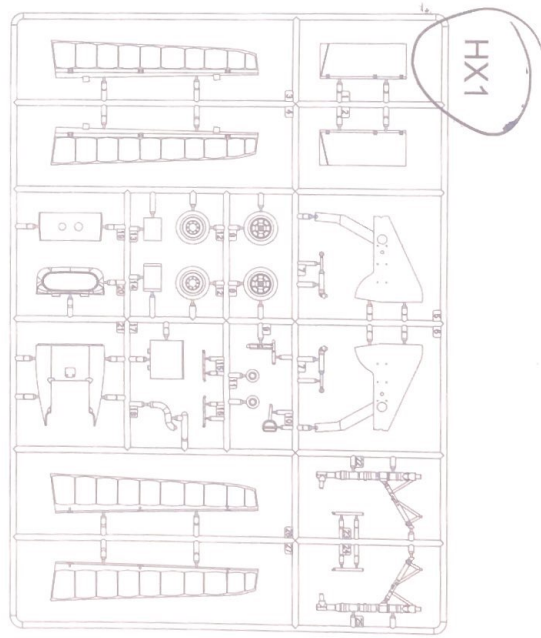
部品图
Parts



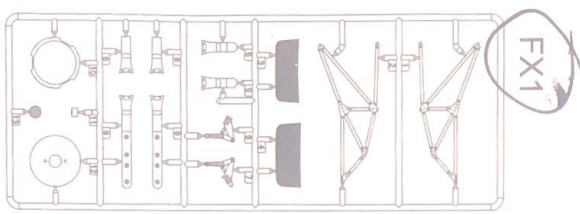
QX1



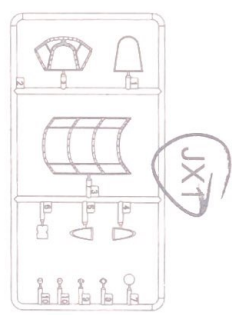
SX1



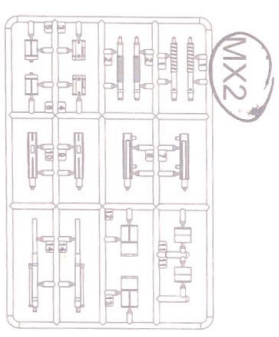
HX1



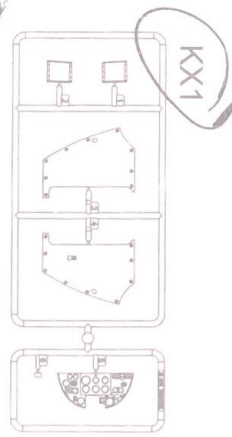
FX1



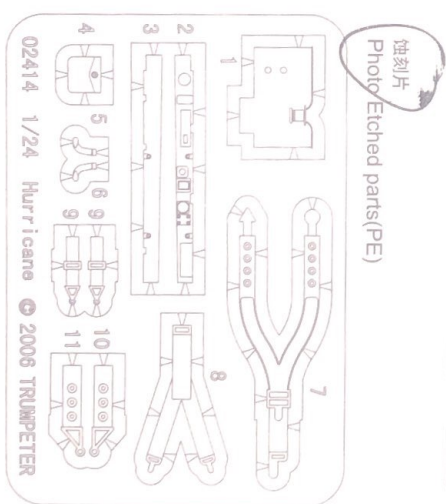
JX1



MX2



KX1



蚀刻片
Photo Etched parts(PE)

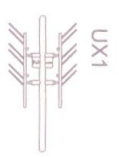
02414 1/24 Hurricane © 2006 TRUMPETER



主轮胎
Main tire × 2

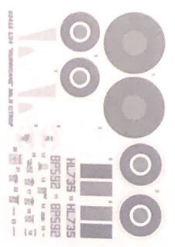


尾轮胎
Tail tire × 1



UX1

水贴纸
Decal

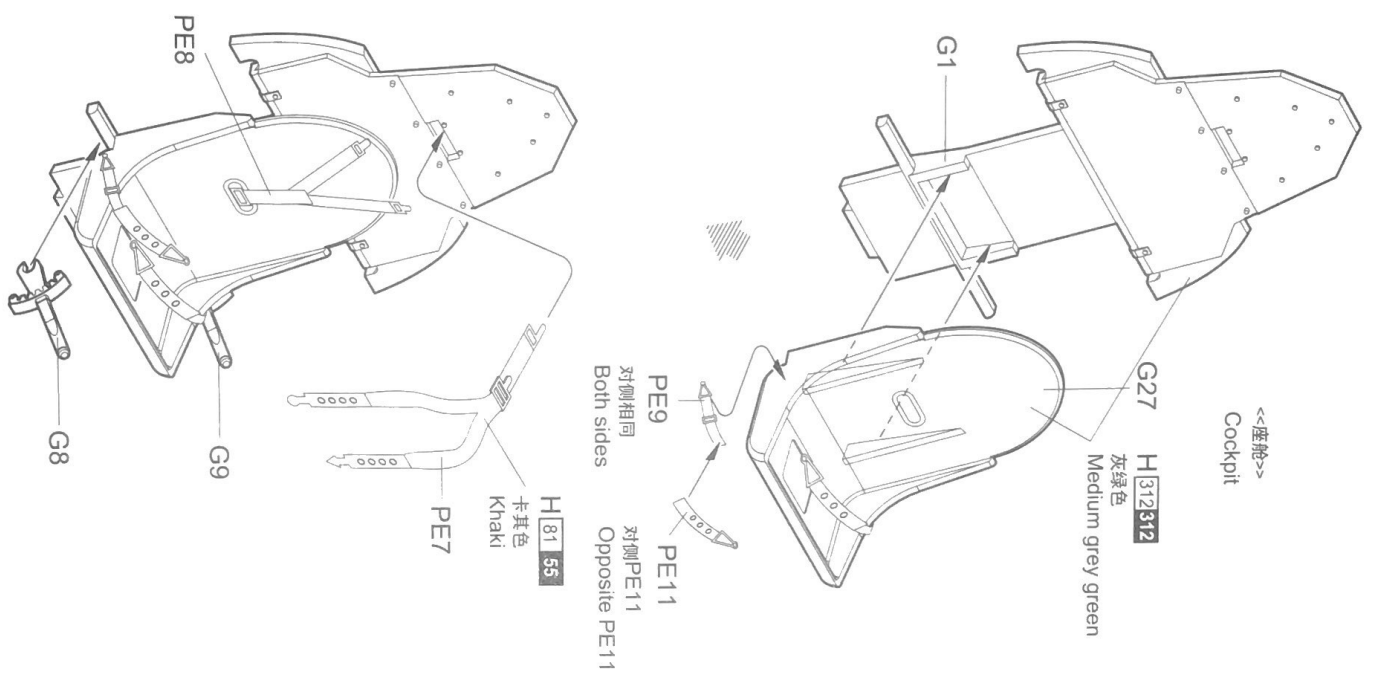


菲林片
Film

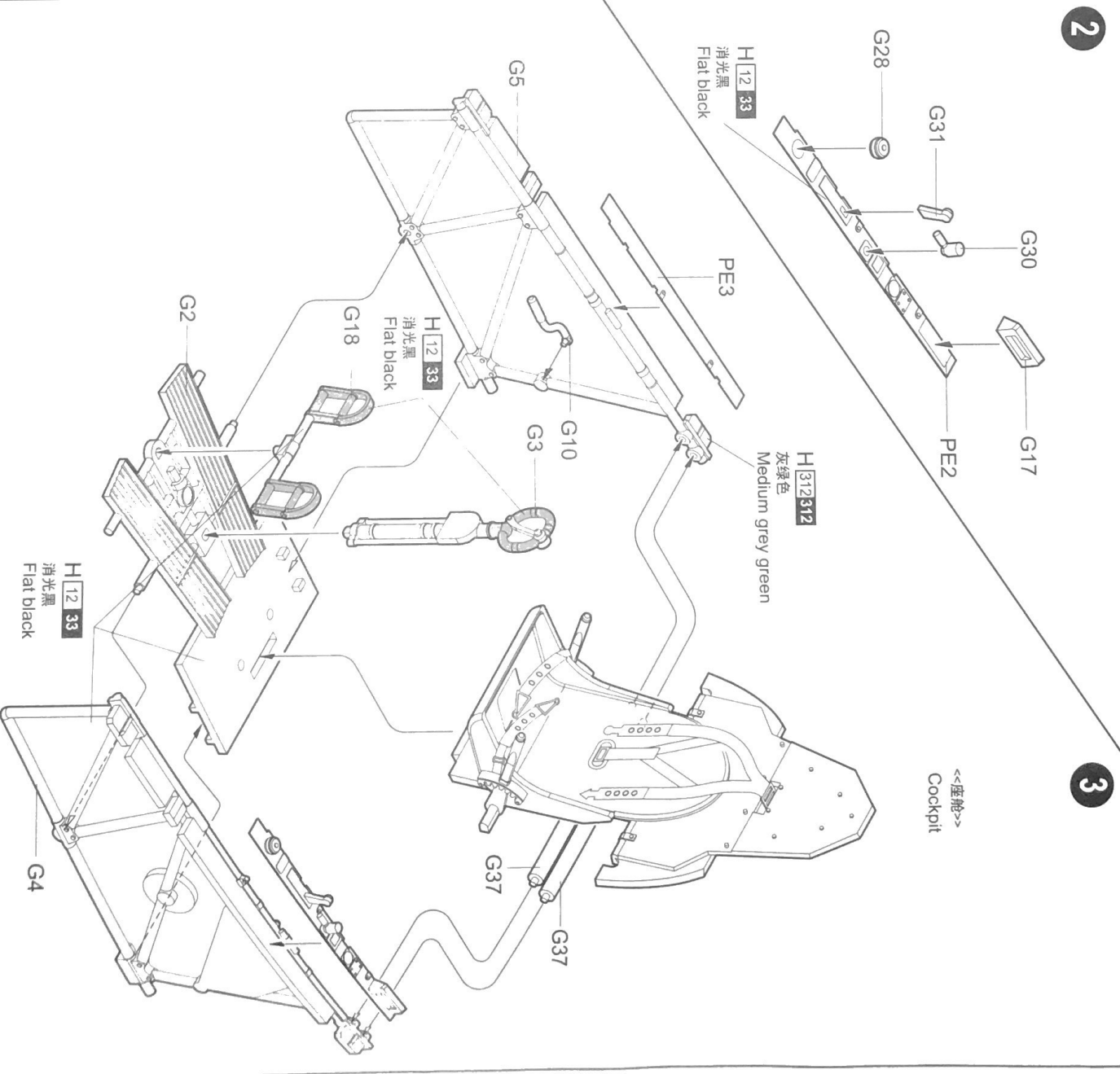


02415 1/24 "HURRICANE" MK.II C

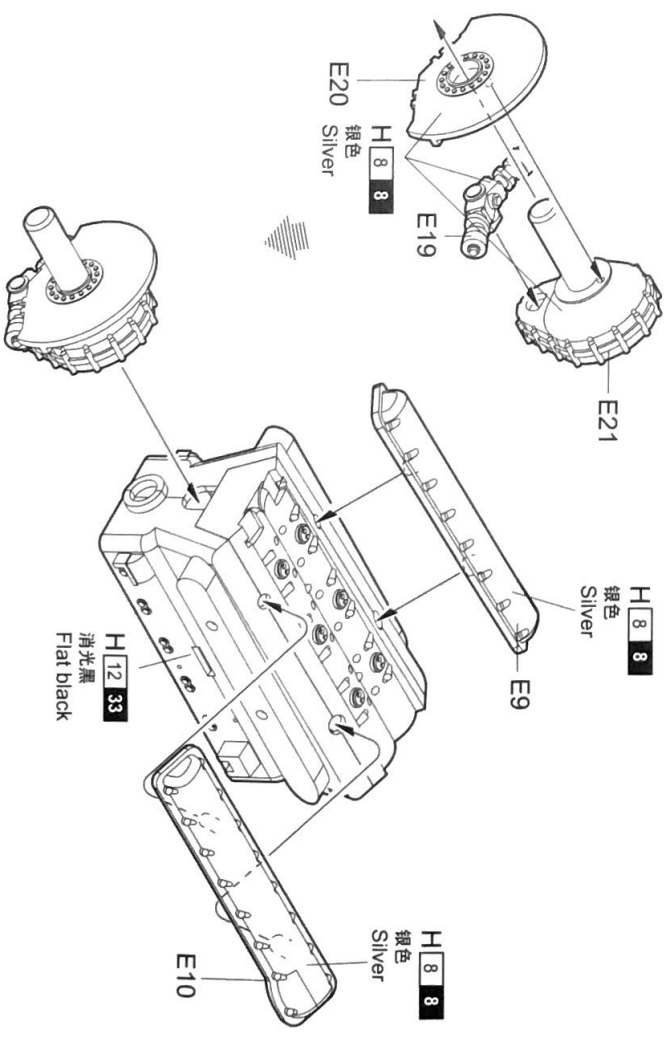
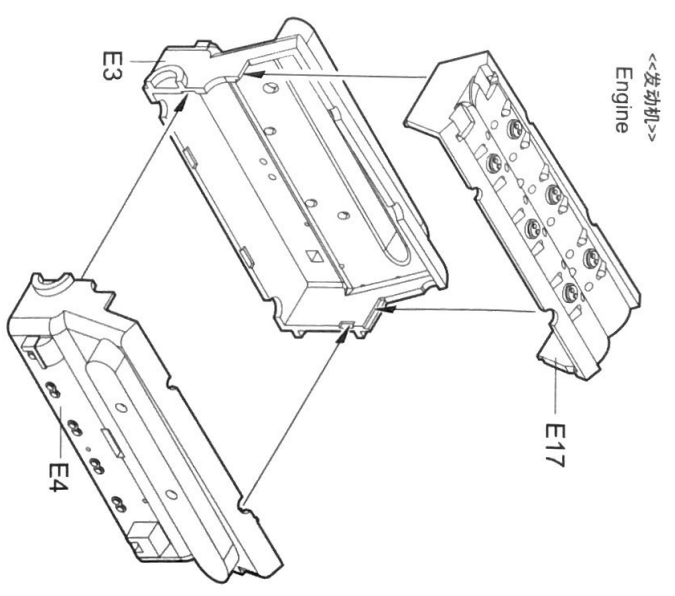
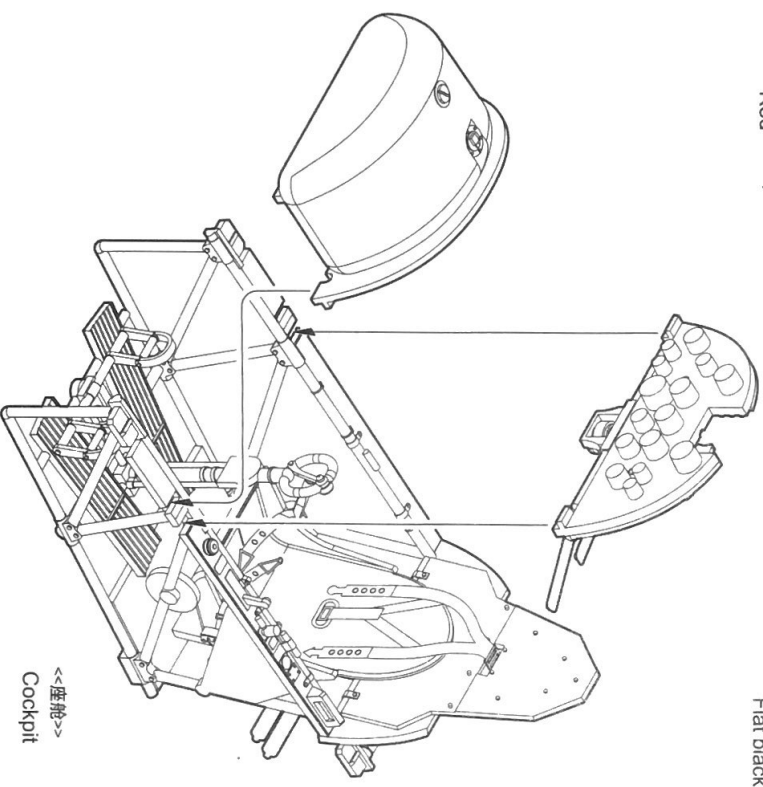
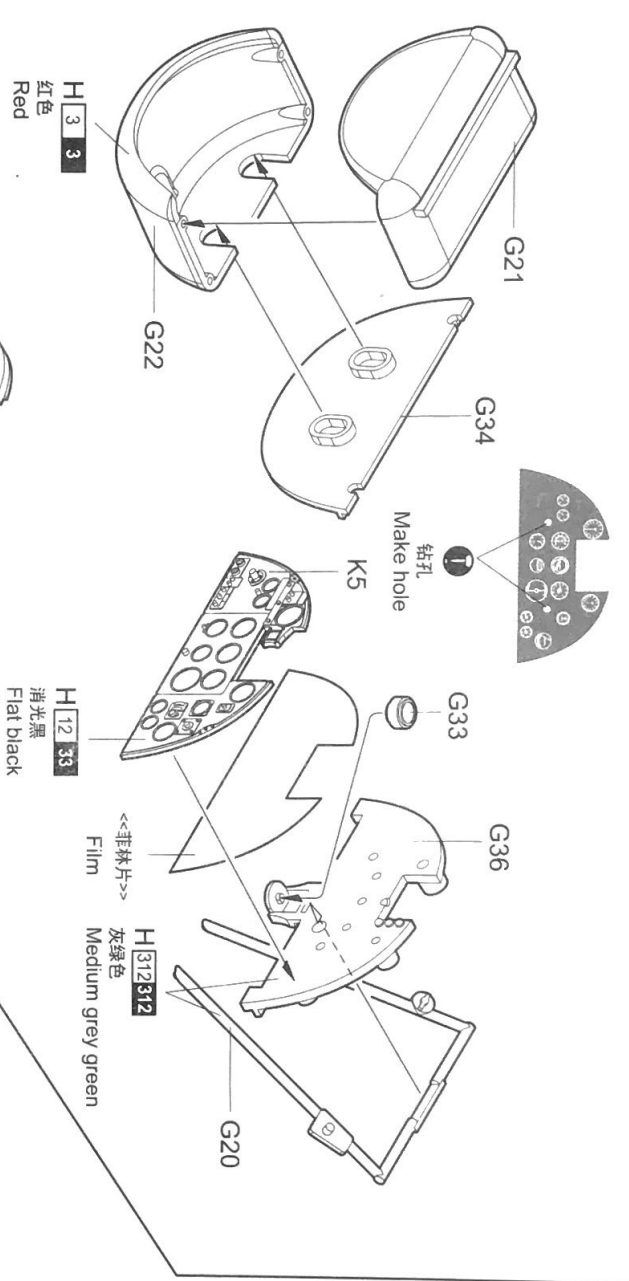
1



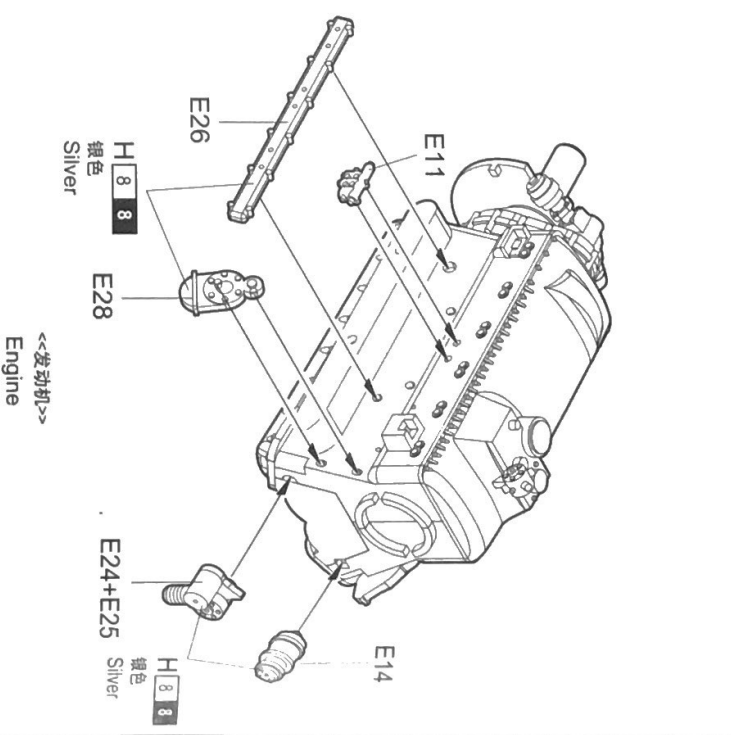
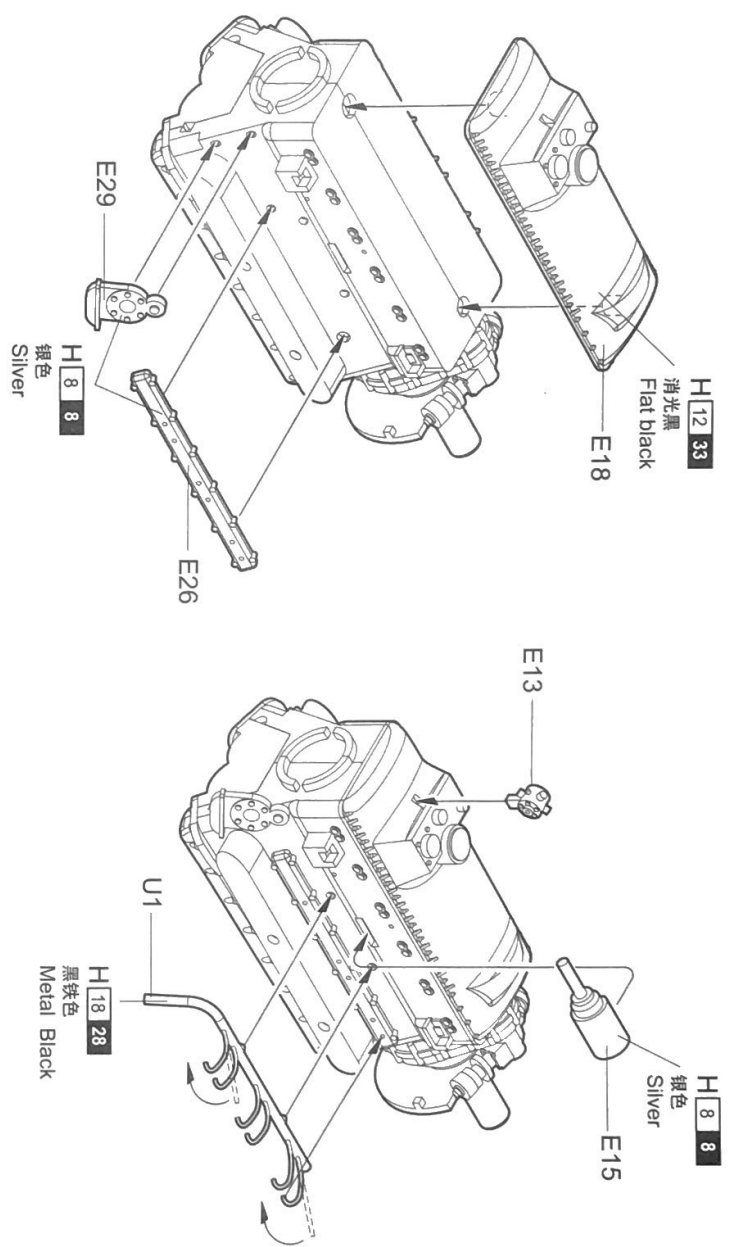
2



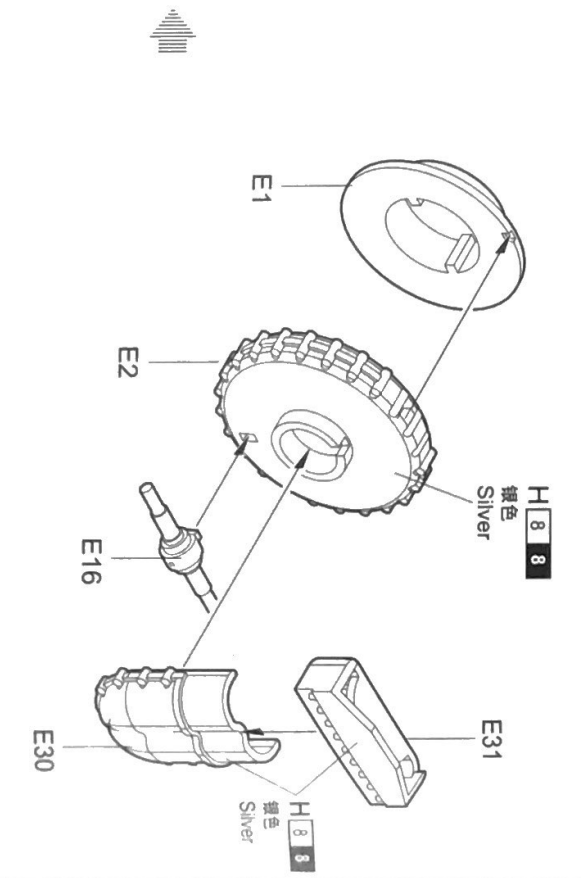
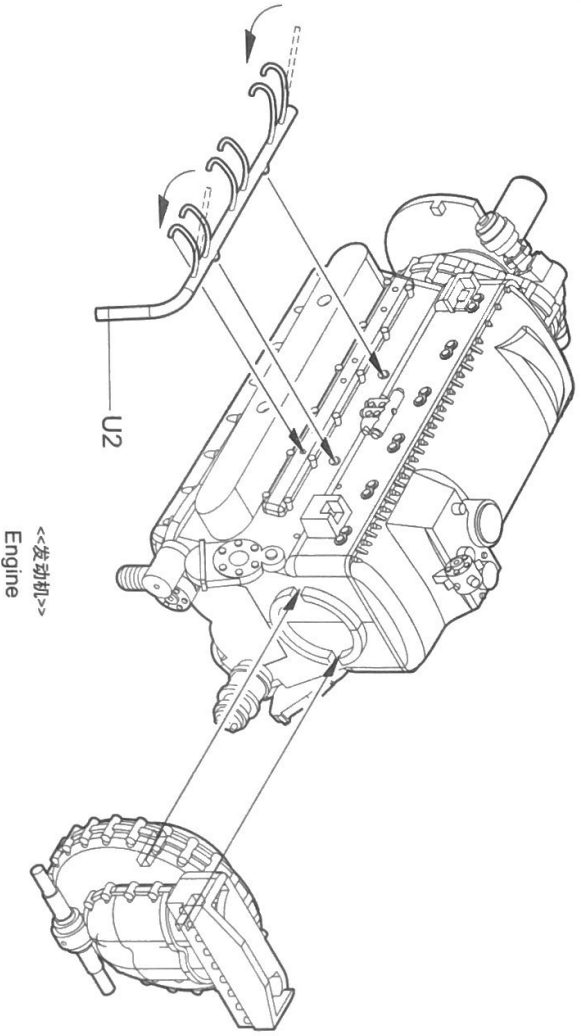
3



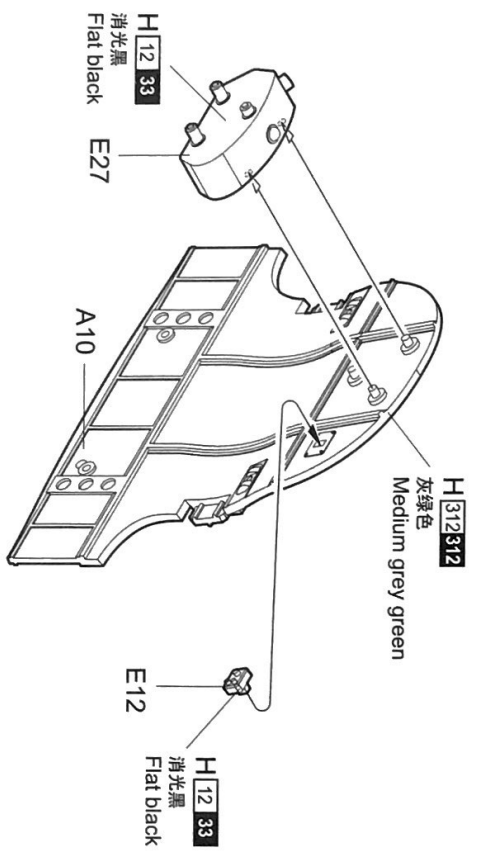
6



7

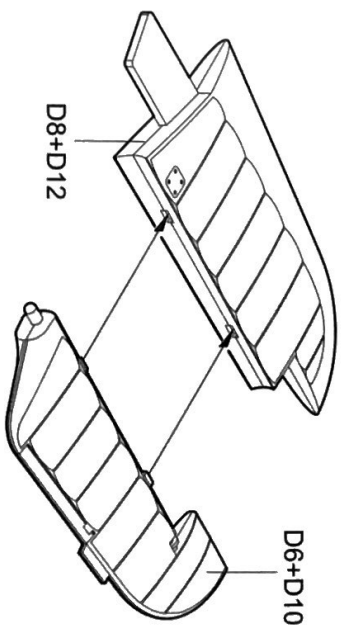


8



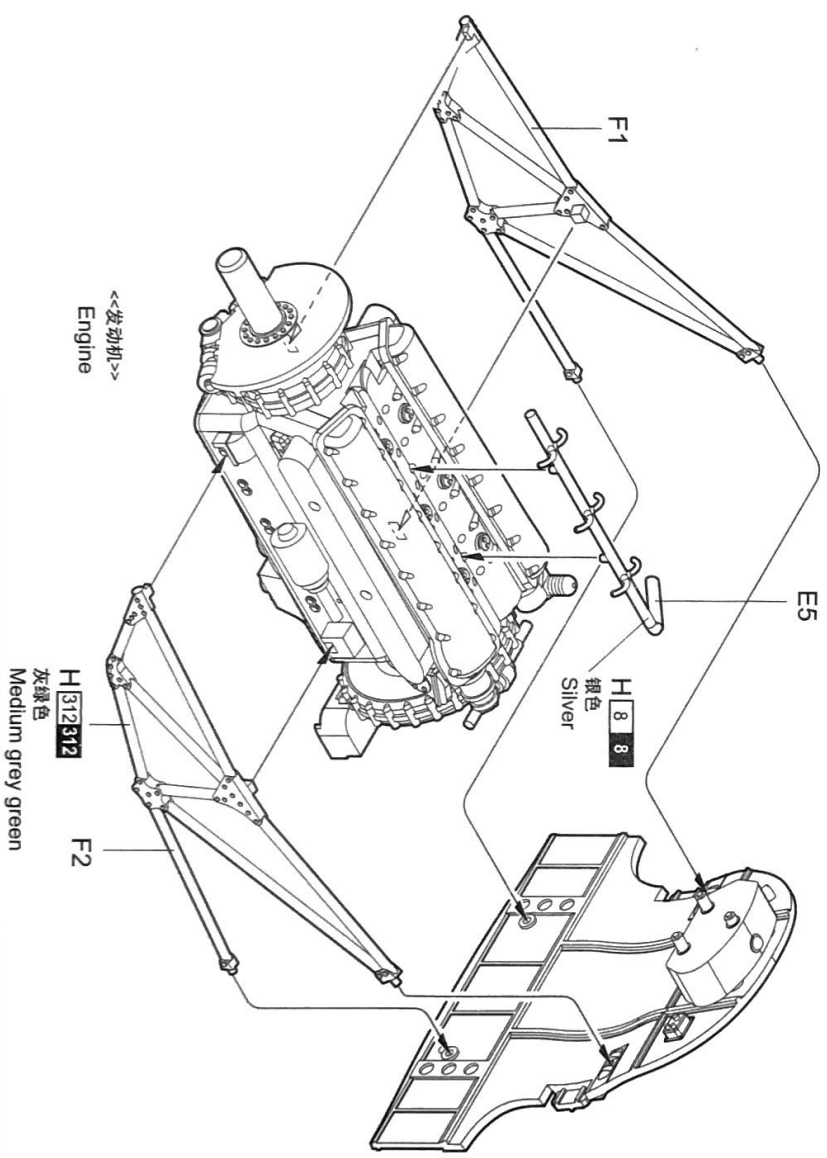
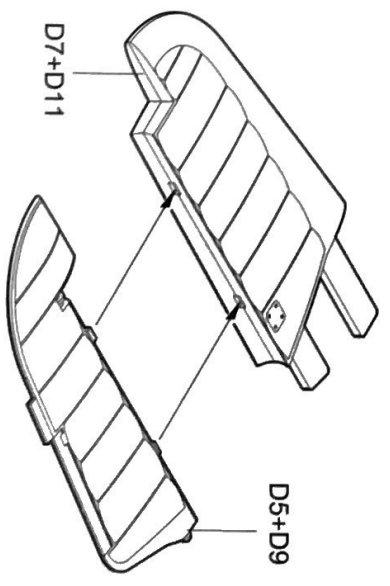
9

<<右侧水平尾翼>>
Right horizontal stabilizer



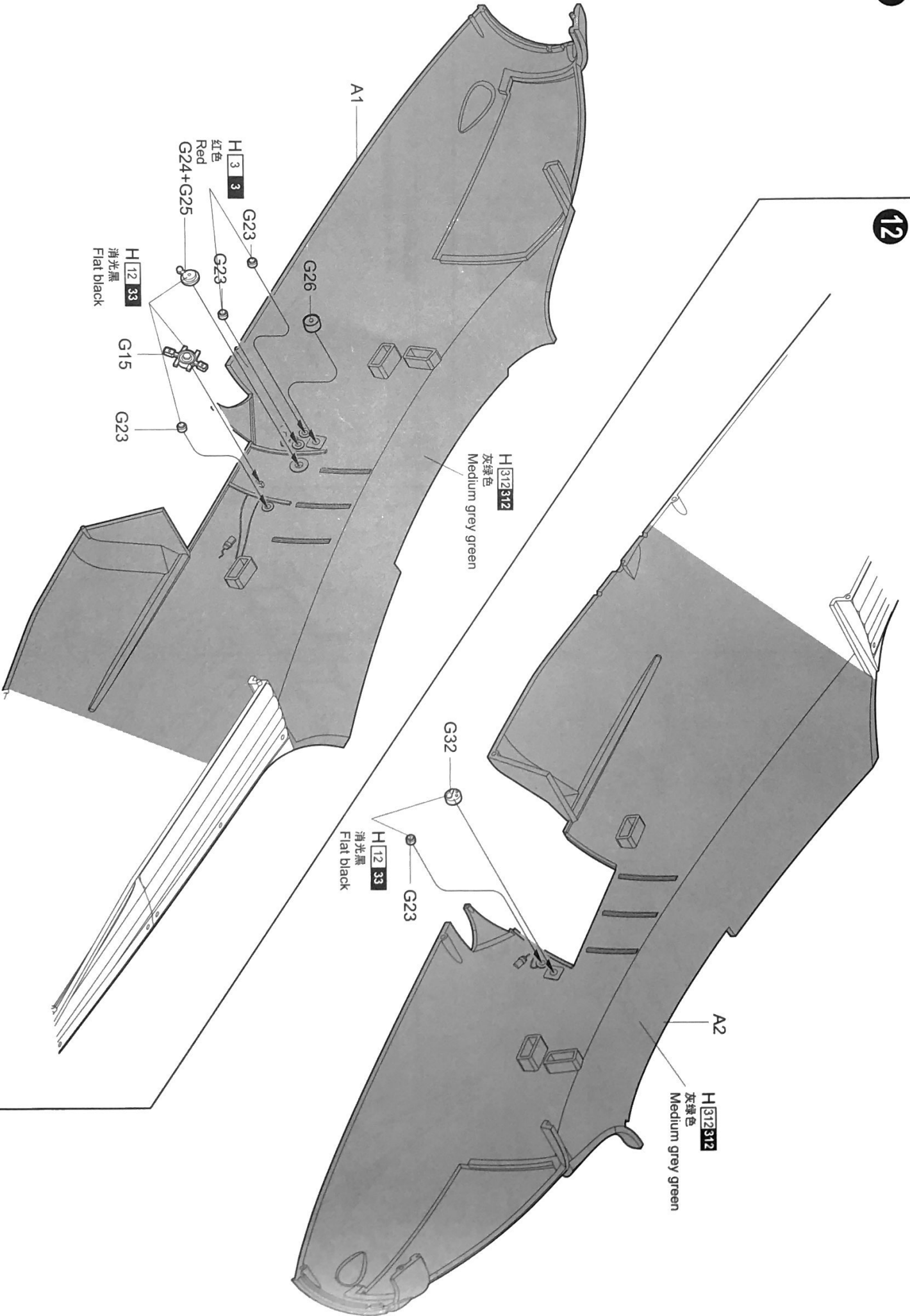
10

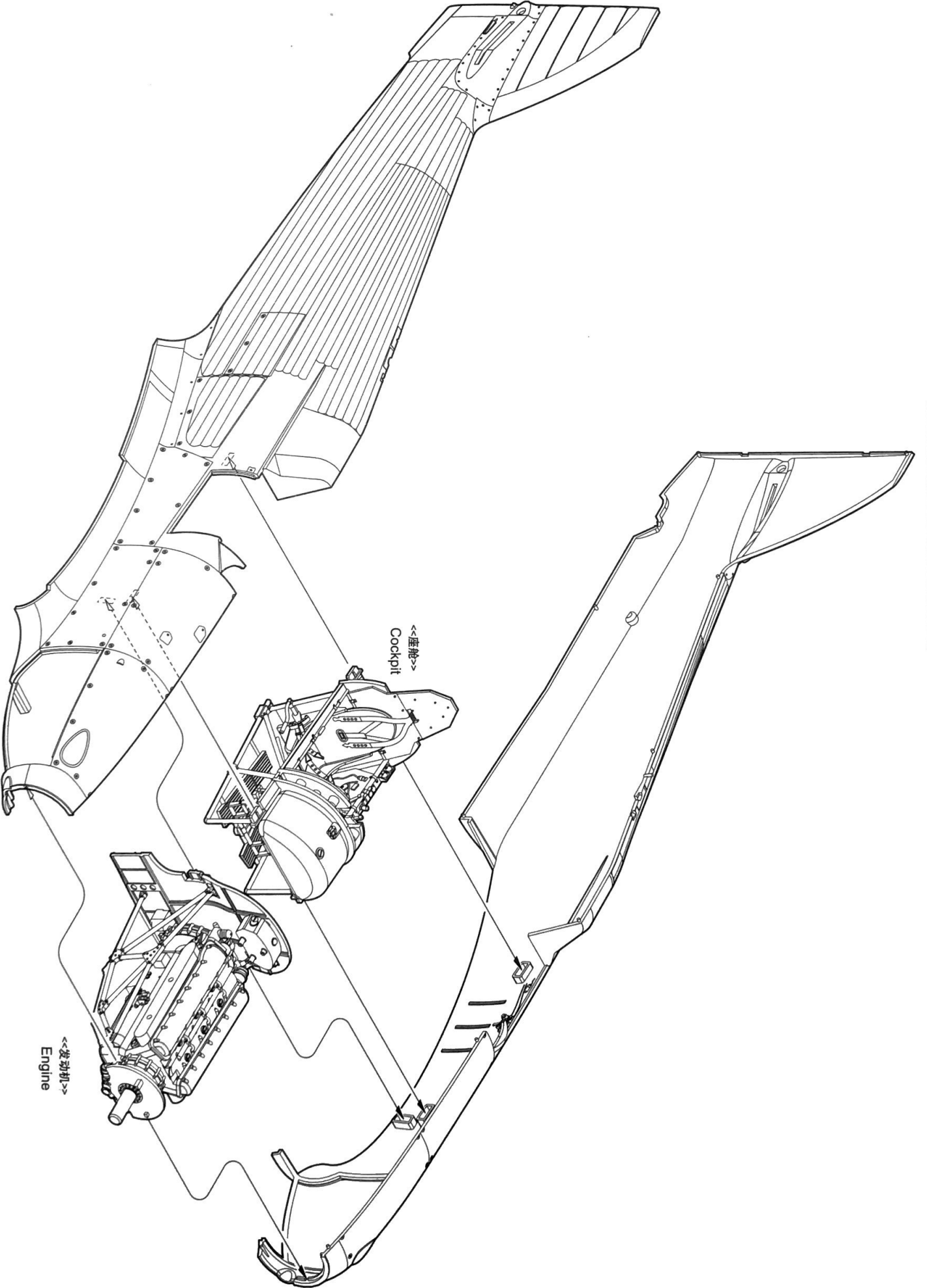
<<左侧水平尾翼>>
Left horizontal stabilizer

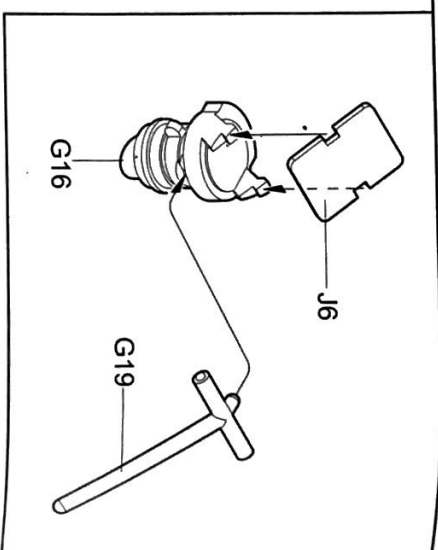
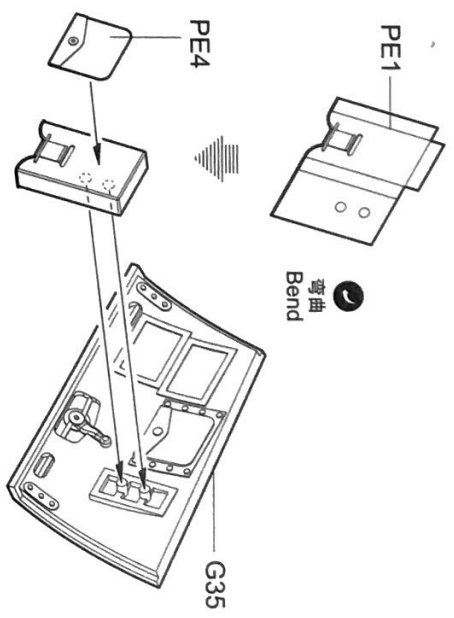
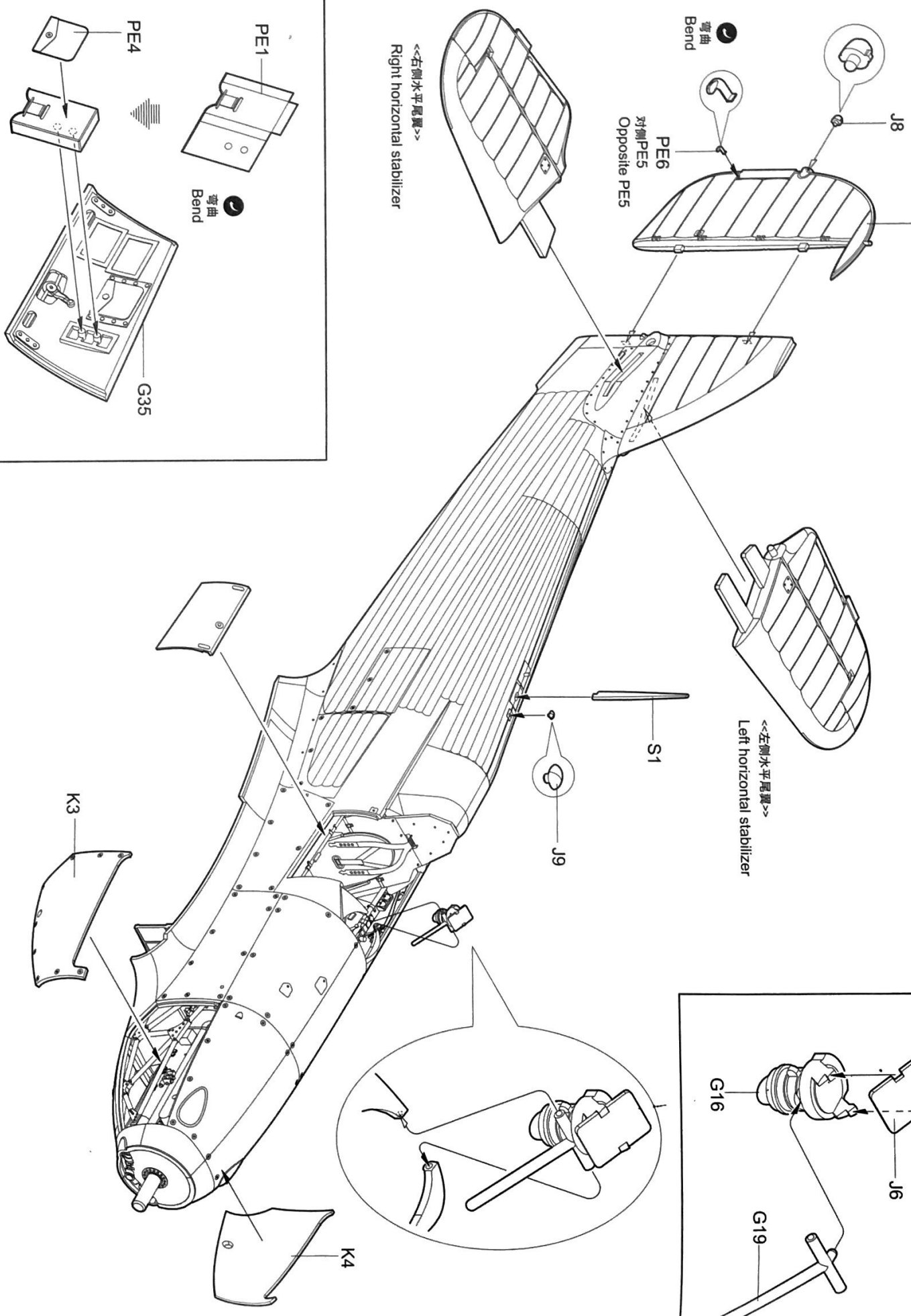


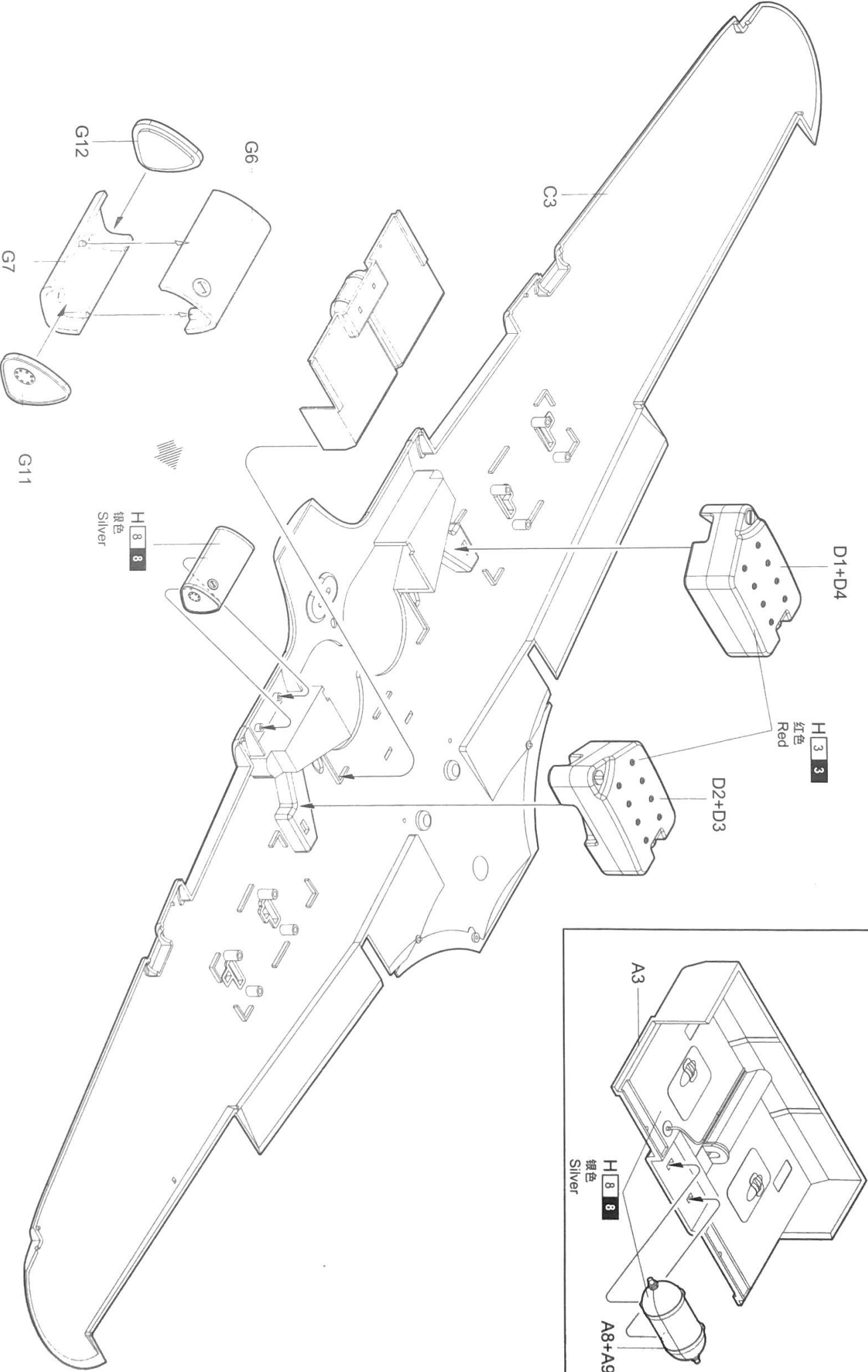
11

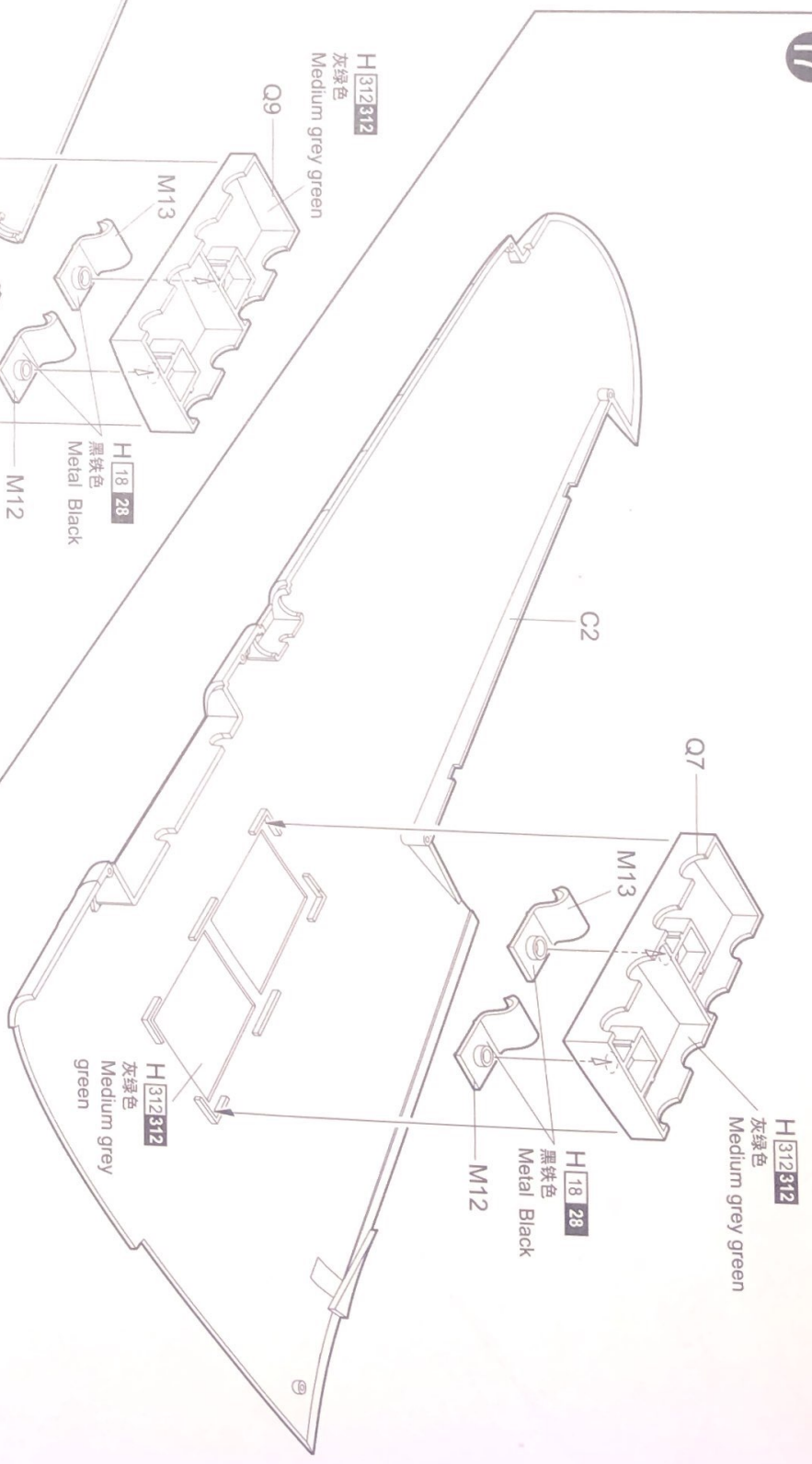
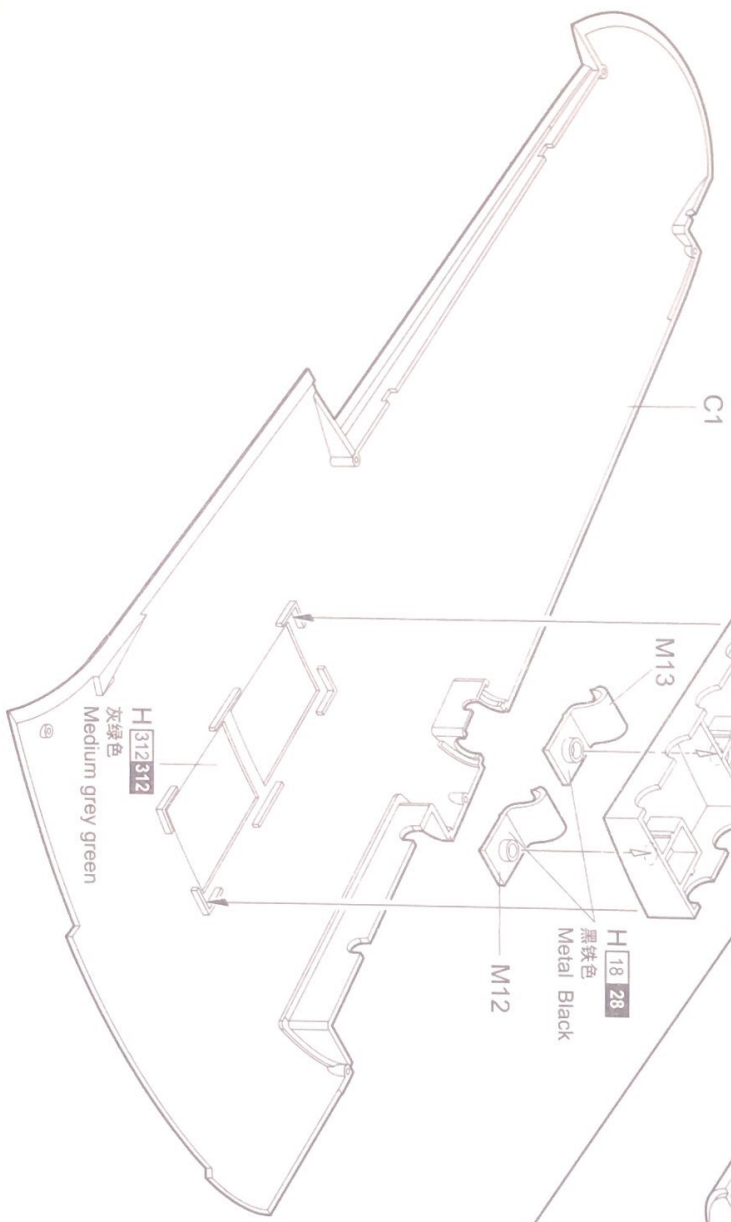
12

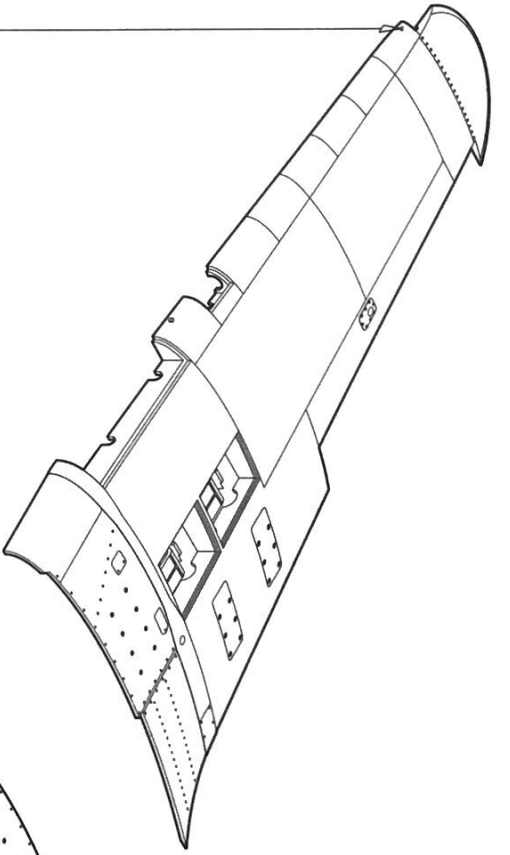




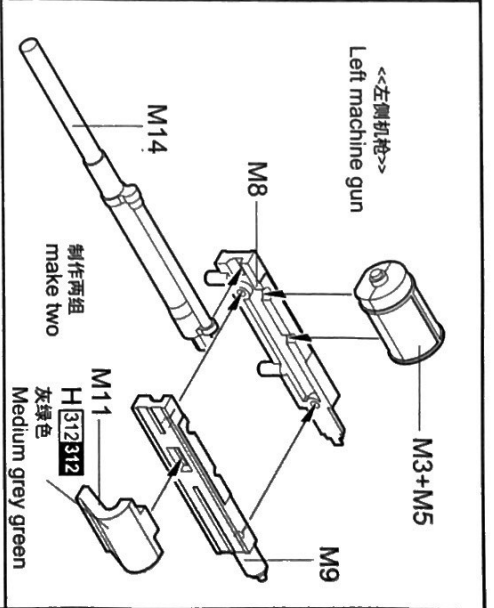








<<右侧机枪>>
Right machine gun



<<左侧机枪>>
Left machine gun

M3+M5

M14

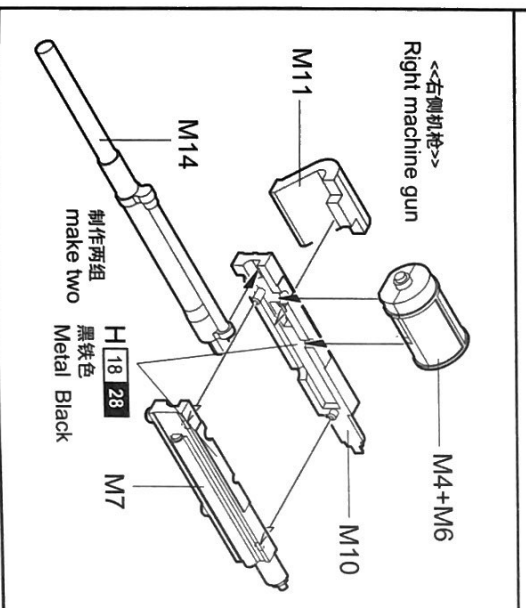
M8

M9

M11

制作两组
make two

H [18] 28
灰绿色
Medium grey green



<<右侧机枪>>
Right machine gun

M4+M6

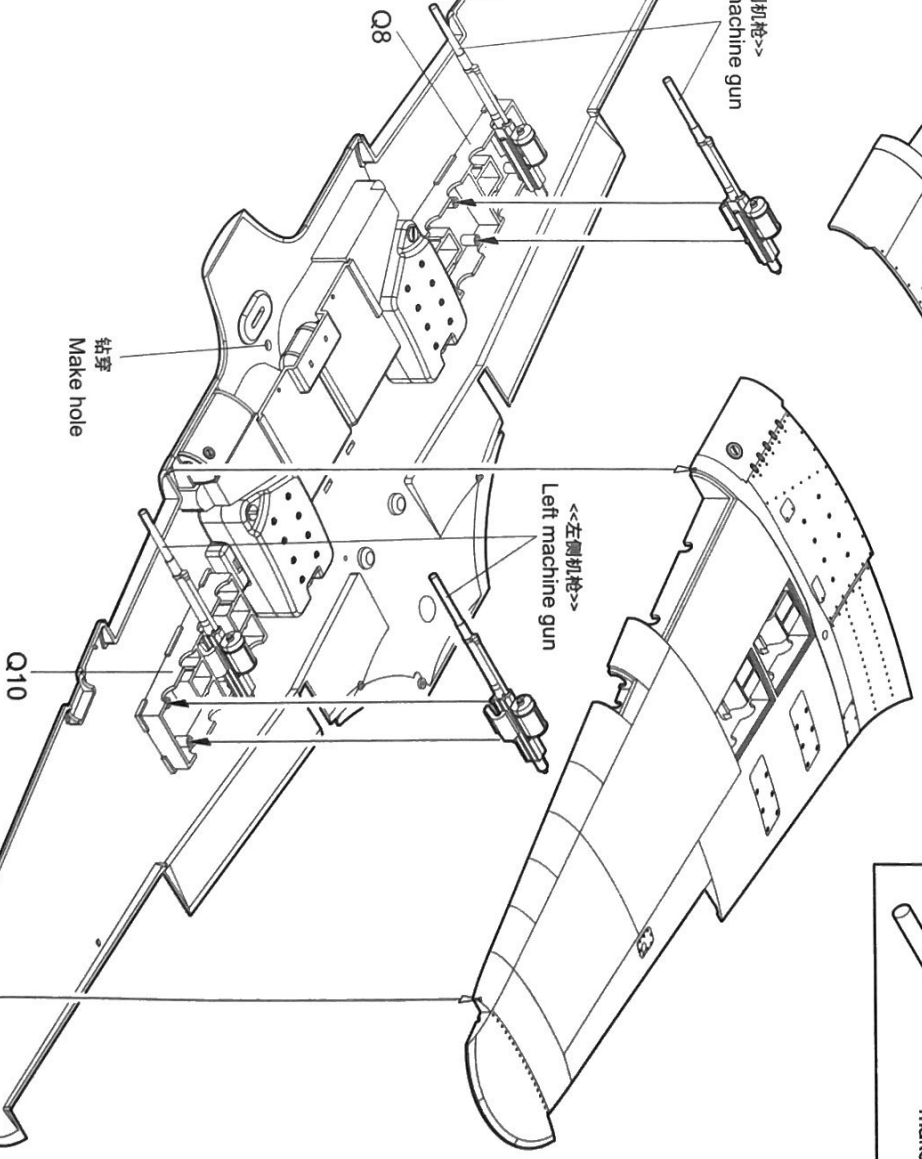
M11

M14

M10

H [18] 28

制作两组
make two
黑铁色
Metal Black



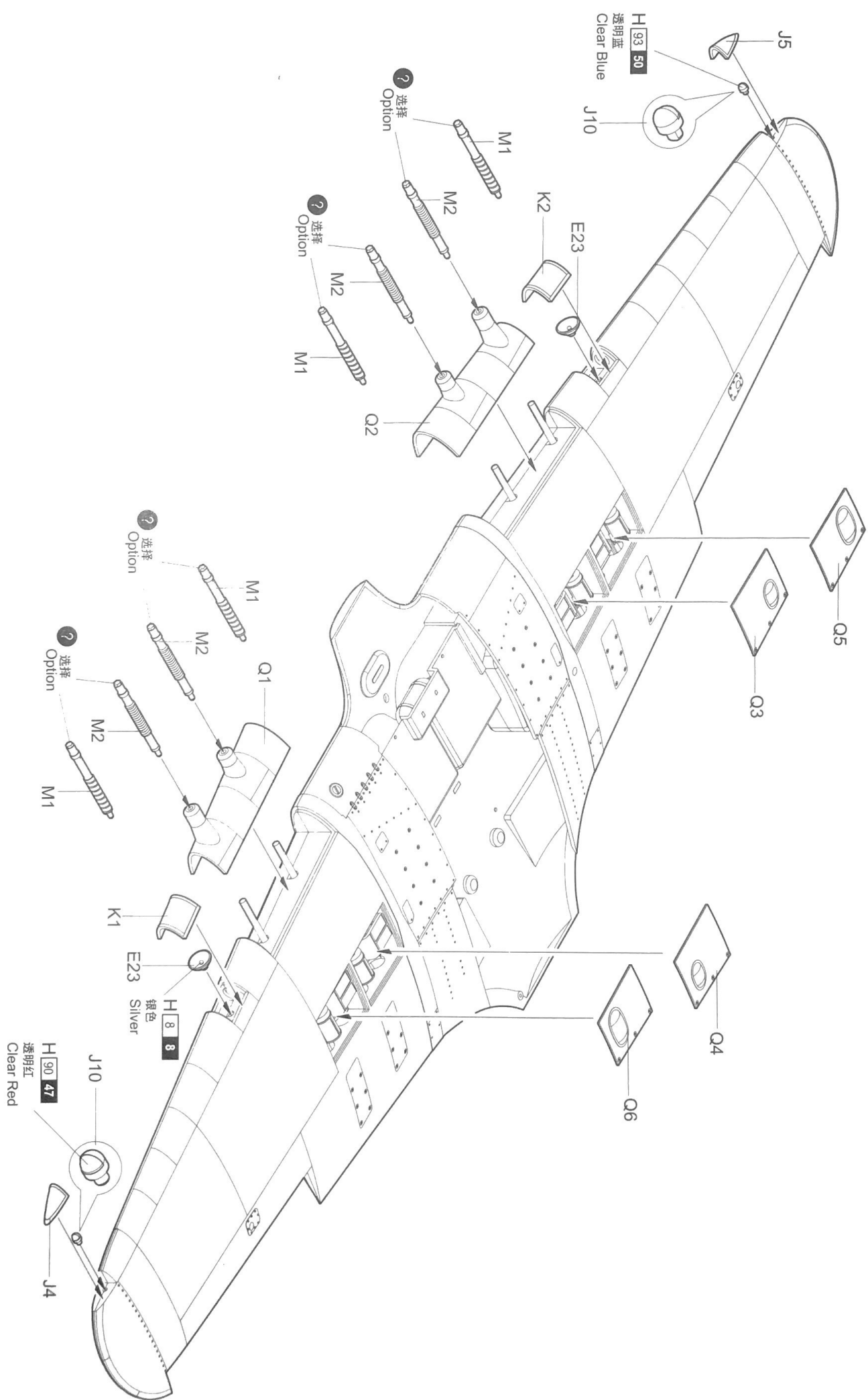
<<左侧机枪>>
Left machine gun

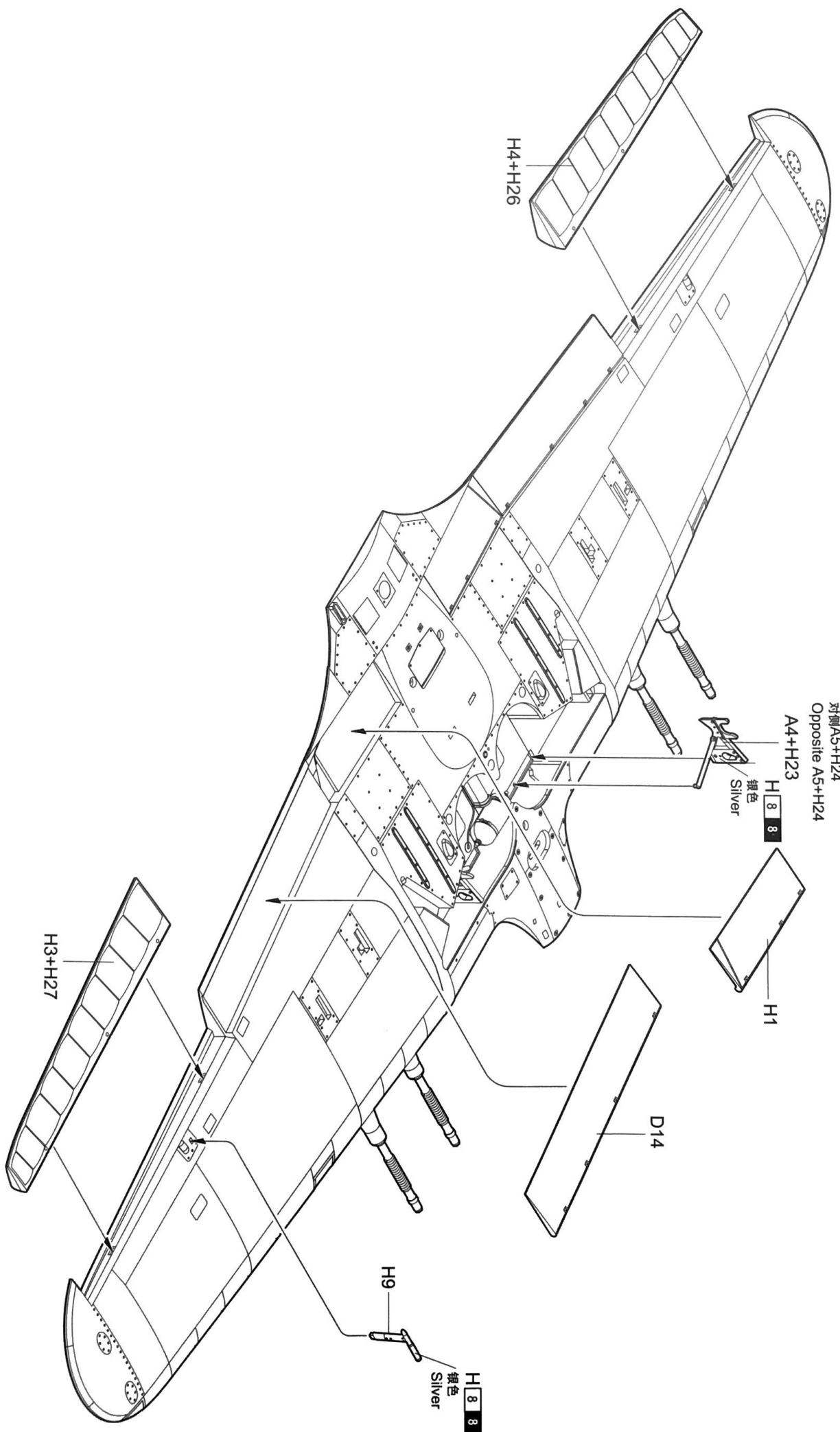
<<右侧机枪>>
Right machine gun

钻穿
Make hole

Q10

Q8

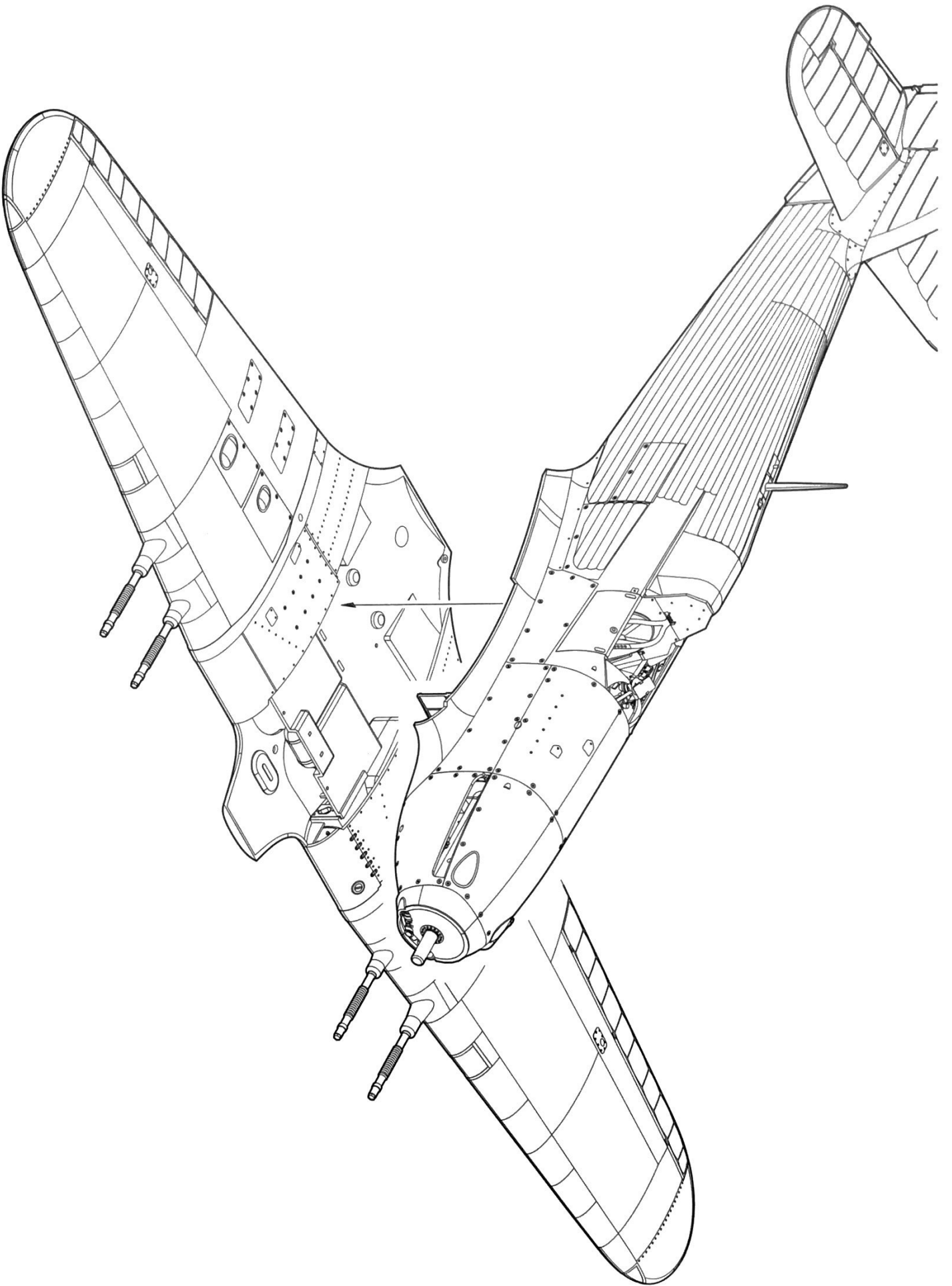


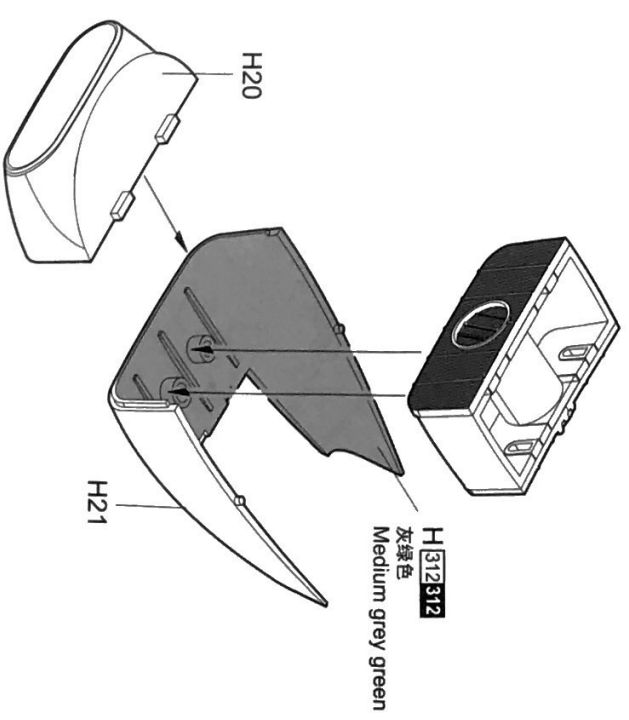
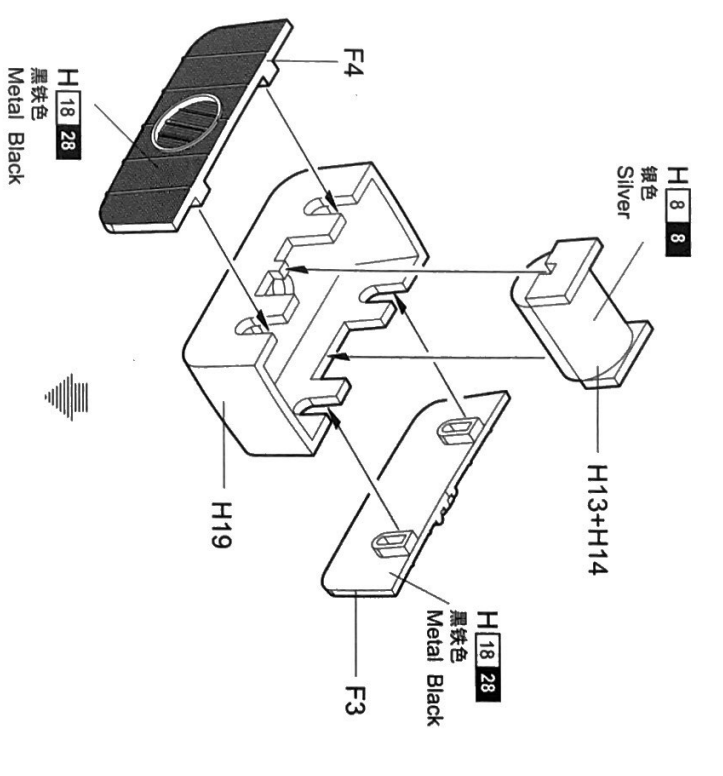
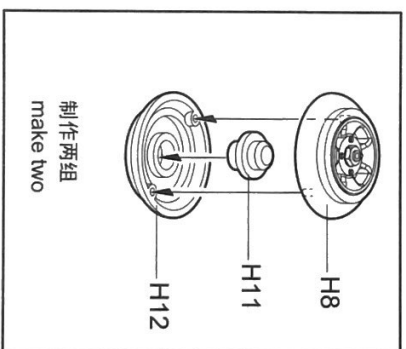
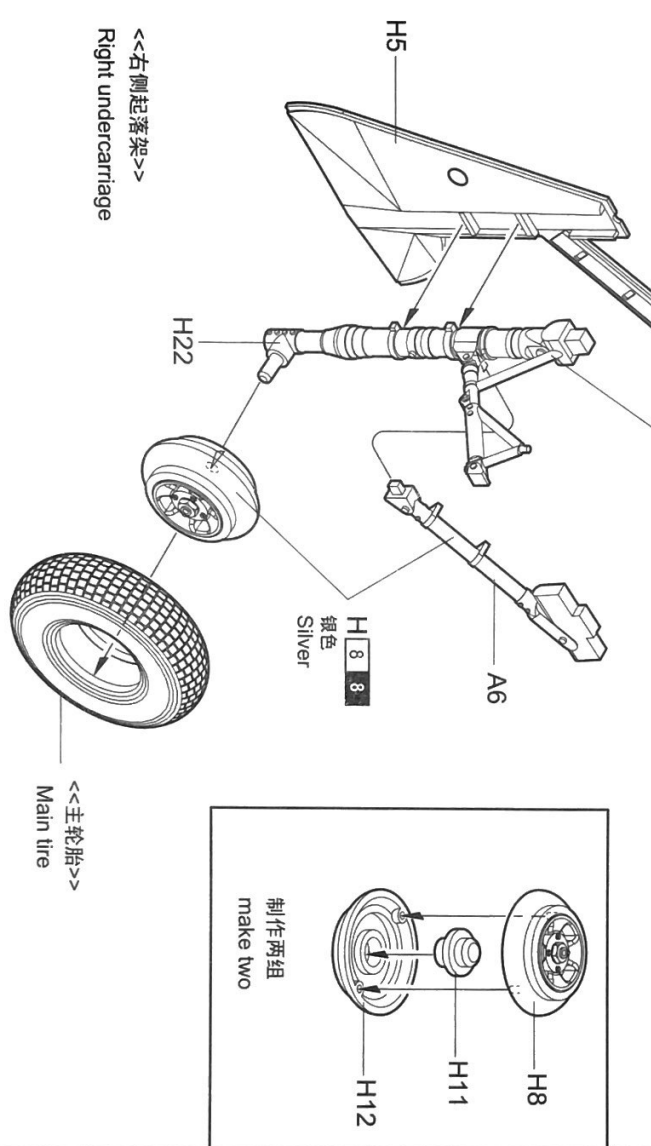
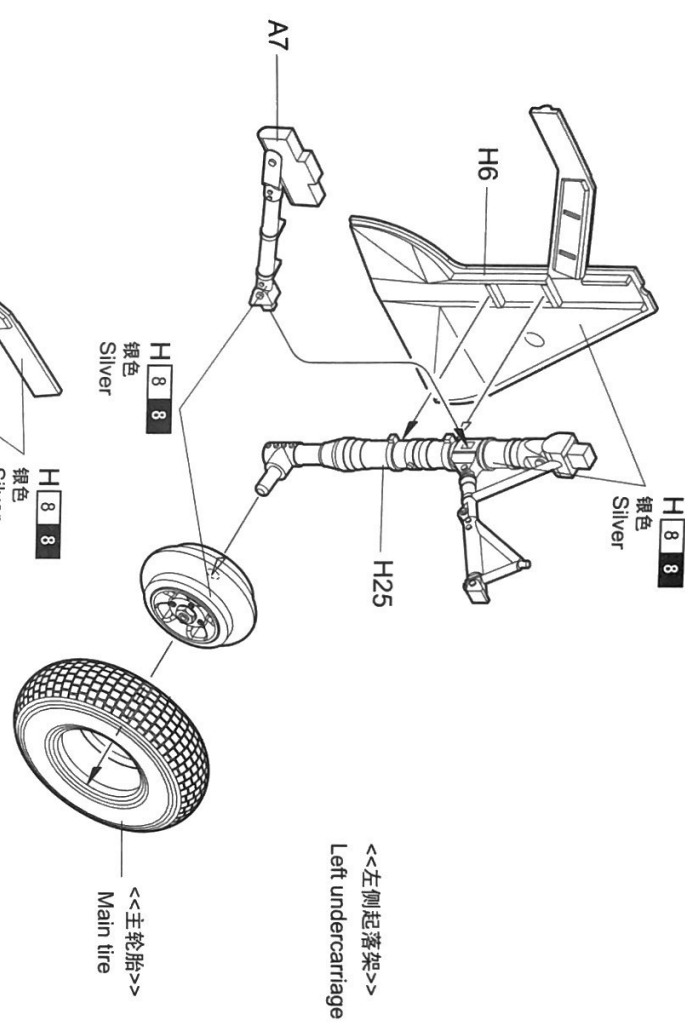


对侧A5+H24
Opposite A5+H24

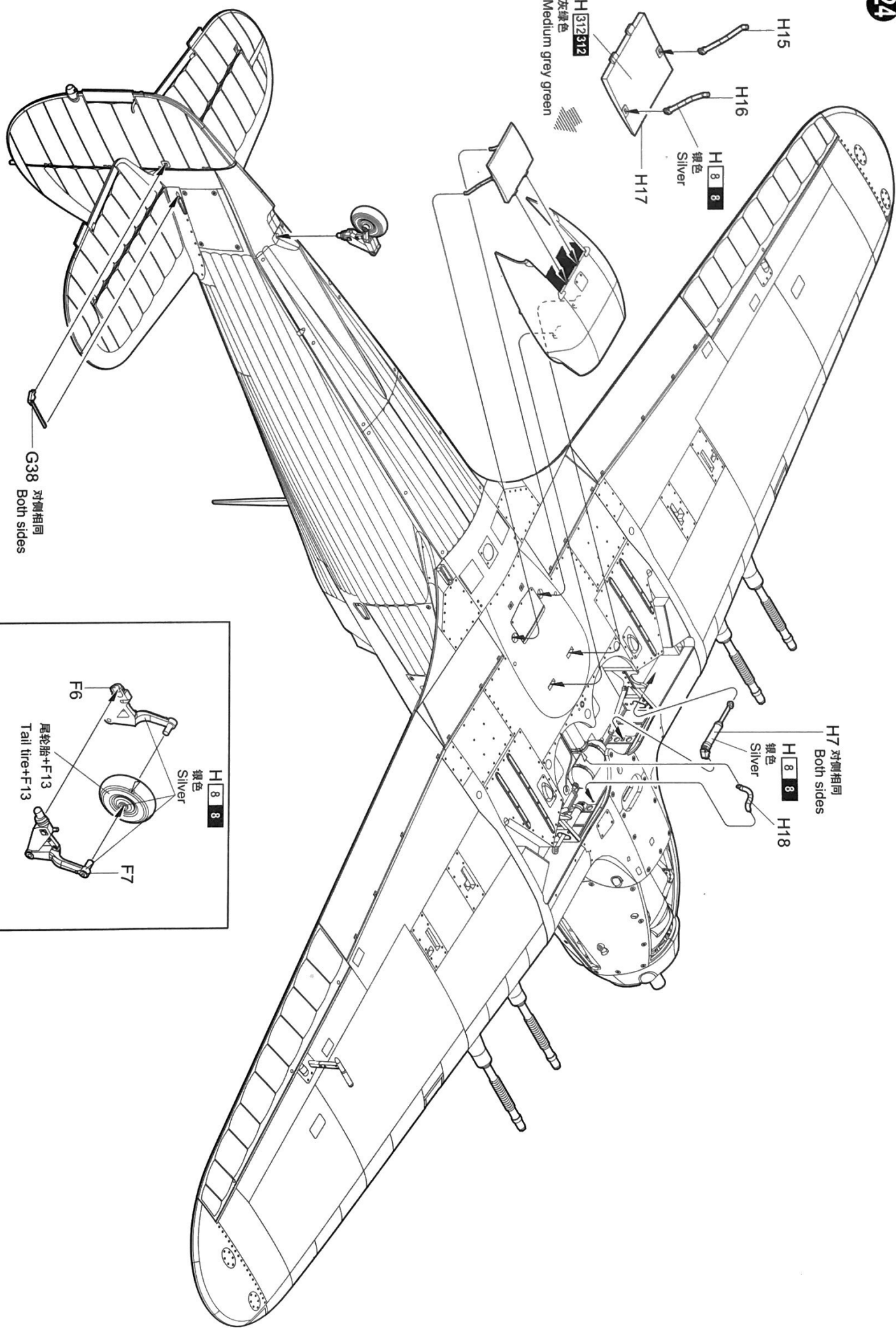
A4+H23

H8 8
银色
Silver





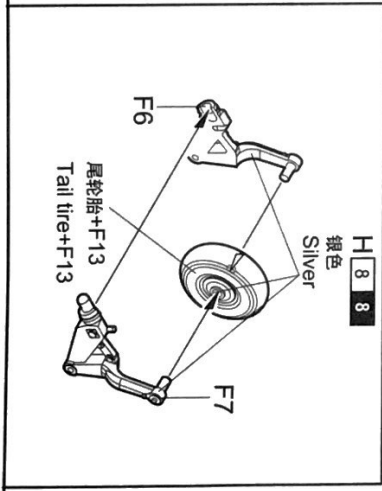
H15
H16
H17
H 8 8
银色
Silver
H 312312
灰绿色
Medium grey green



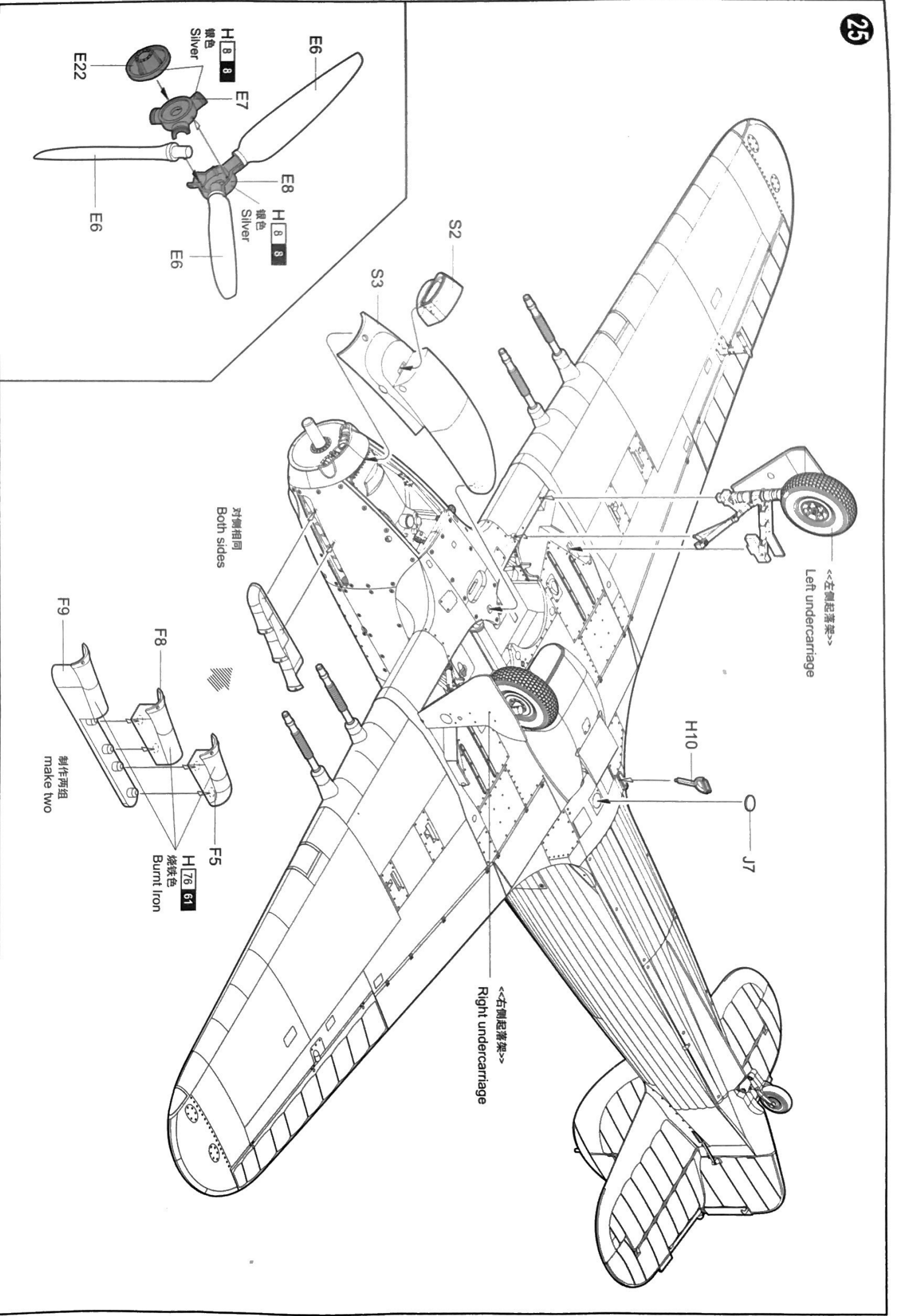
G38 对侧相同
Both sides

H7 对侧相同
Both sides

H 8 8
银色
Silver
H18



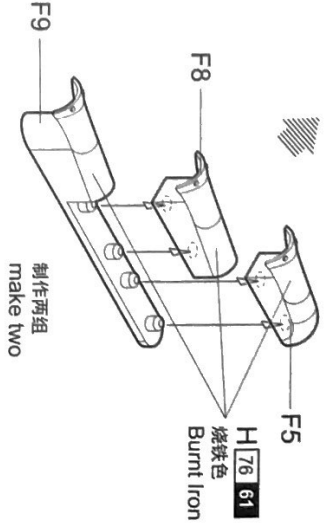
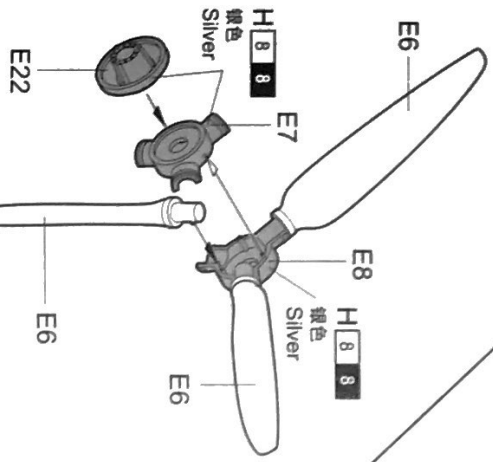
H 8 8
银色
Silver
F6
F7
尾轮胎+F13
Tail tire+F13

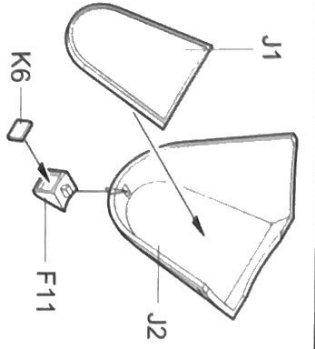
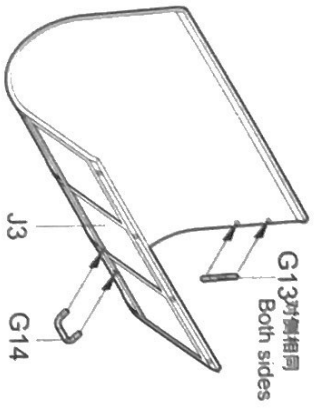


<<左側起落架>>
Left undercarriage

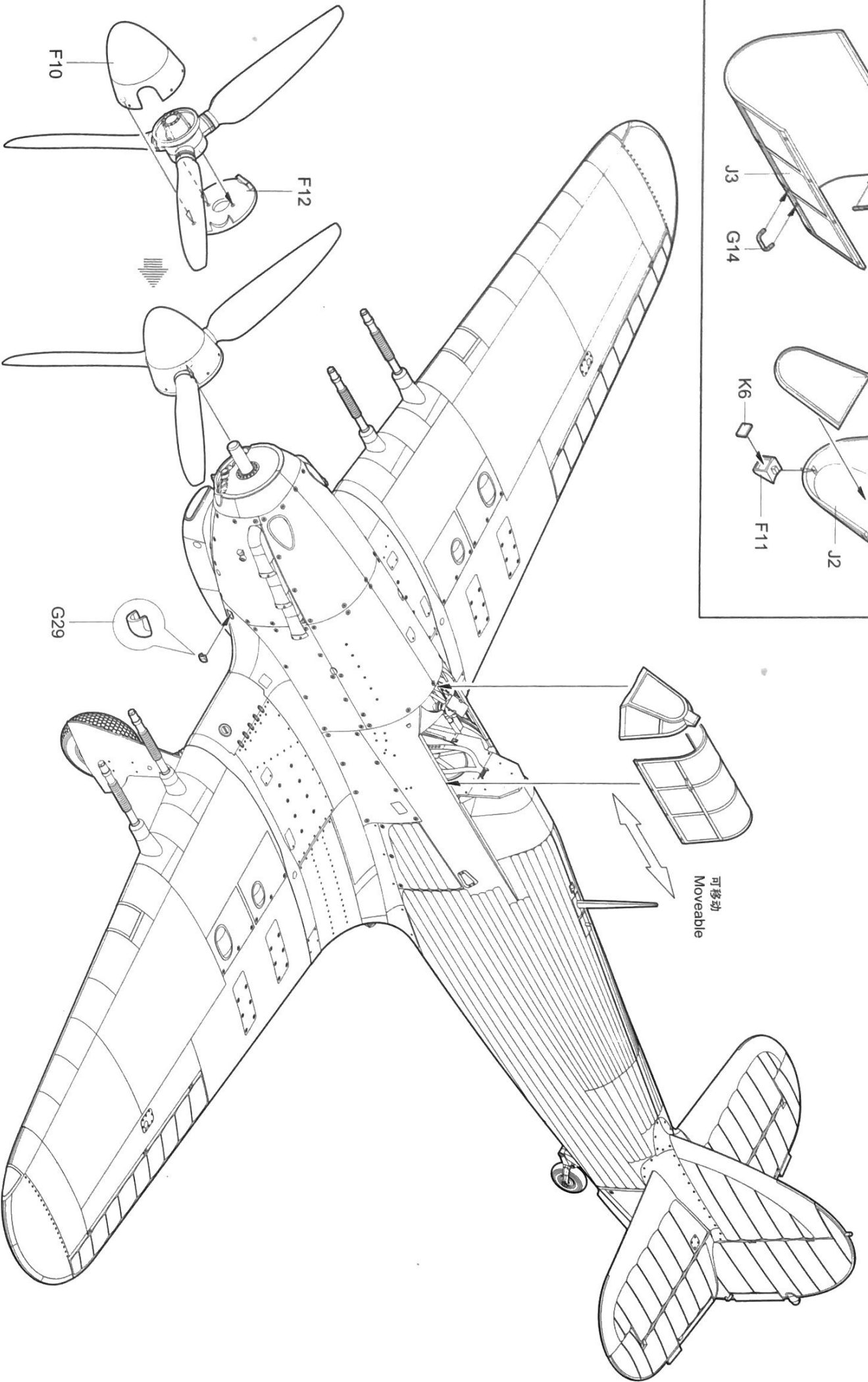
<<右側起落架>>
Right undercarriage

对侧相同
Both sides

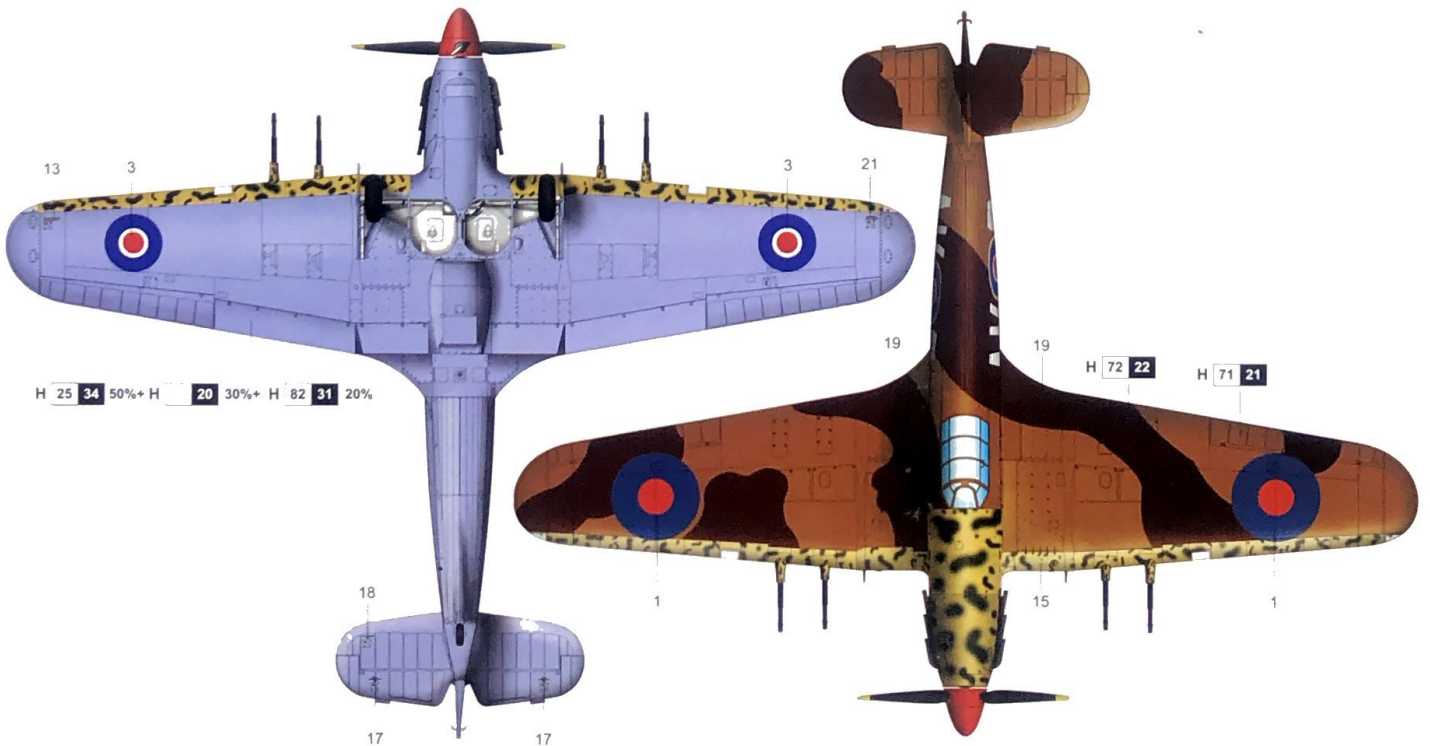
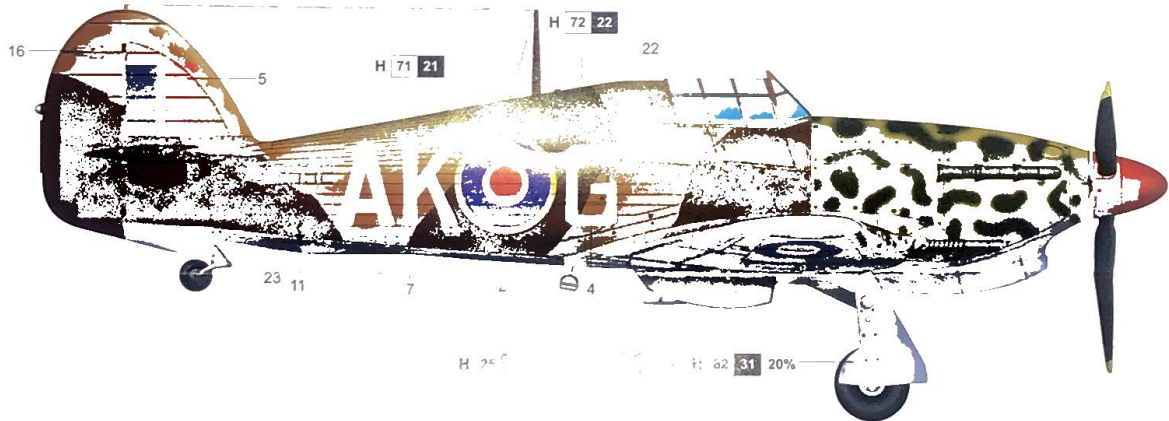
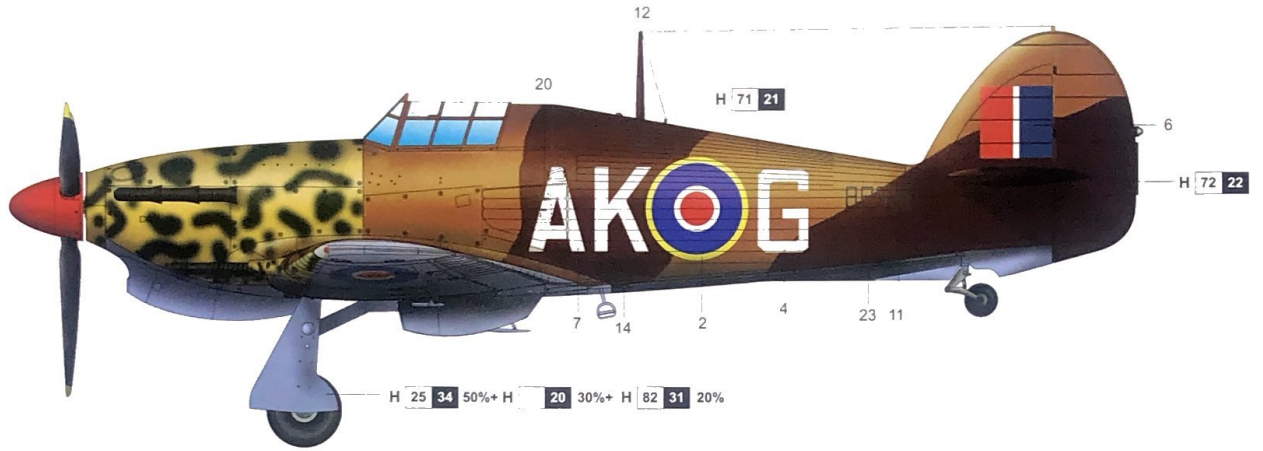




26



B HURRICANE Mk II C/TROP
213 Sqn 1944



A HURRICANE Mk IIC/TROP
294 Sqn 1942

H	20	浅兰色	LIGHT BLUE
H	71	土黄色	MIDDLE STONE
H	72	深土色	DARK EARTH
H	82	浅海灰	DARK GRAY(1)
H	25	天蓝色	SKY BLUE

