

GERMAN TANK DESTROYER Pz.Jg. V jagdpanther



SPECIFICATION

GENERAL

CREW: 5.

BATTLE WEIGHT: 51,3 TONS

GROUND PRESSURE: 12,8 LBS/SQ.IN.

1/72 SCALE

DIMENSIONS

LENGTH: 22,6 FT.

HEIGHT: 8,9 FT.

WIDTH: 11,2 FT.

WIDTH OF TRACK: 26 IN.

GROUND CLEARANCE: 21,2 IN.

KIT 8009

ARMAMENT

ONE 8,8 - CM. PAK 43/3, CALIBER LENGTH 71

ONE 7,9 - MM. MACHINE GUN 34 (BOW).

ENGINE

HL 230 P 30 MAYBACH, 700 HP AT 3,000 RPM, 12 CYLINDERS IN V-BLOCK, GASOLINE, LIQUID-COOLED, COMPRESSION RATIO 6.8:1.

PERFORMANCE

SPEED: 29 MPH ON ROADS; 16-19 MPH CROSS-COUNTRY (ONE SOURCE GIVES MAX.SPEED OF 34 MPH).

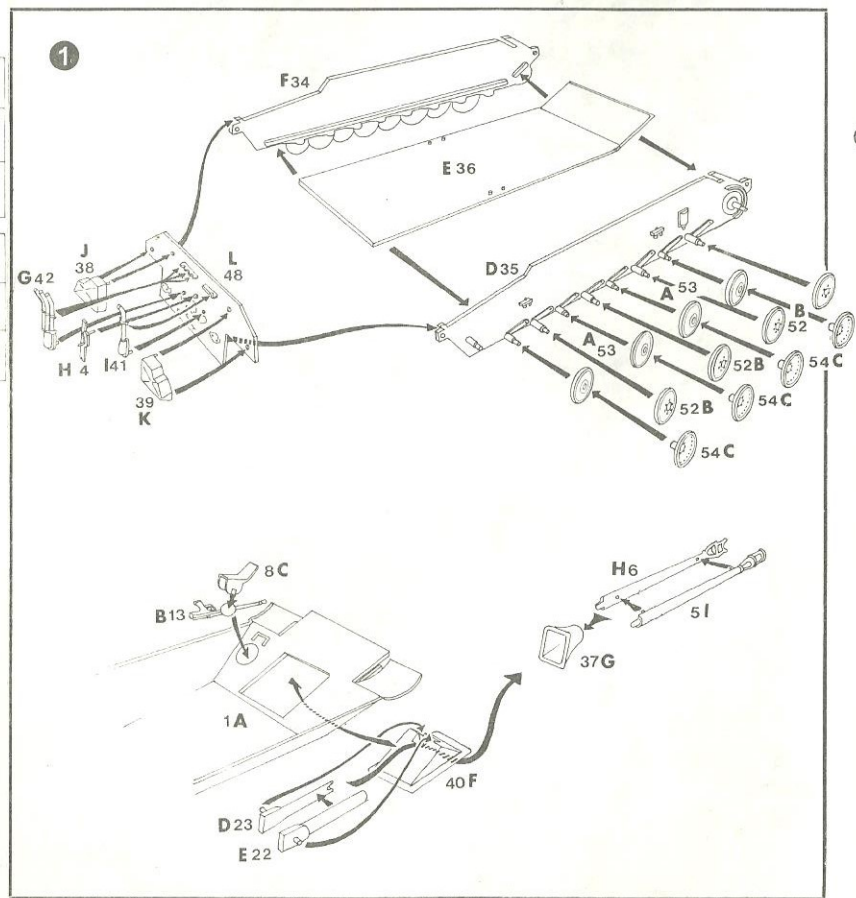
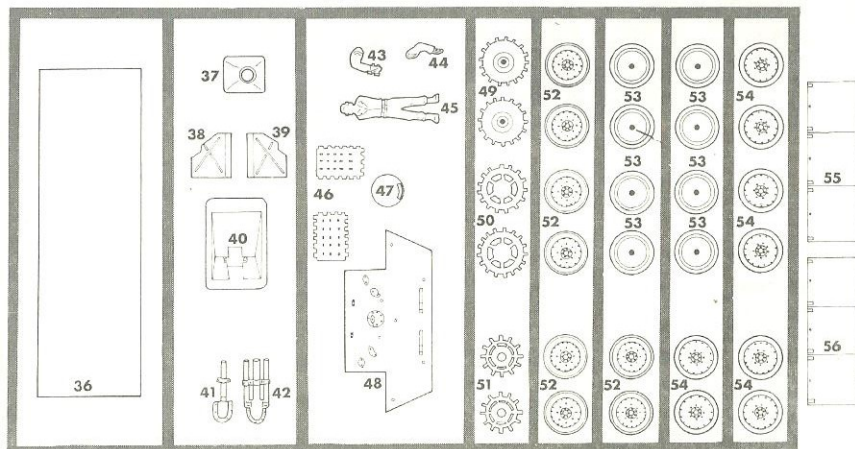
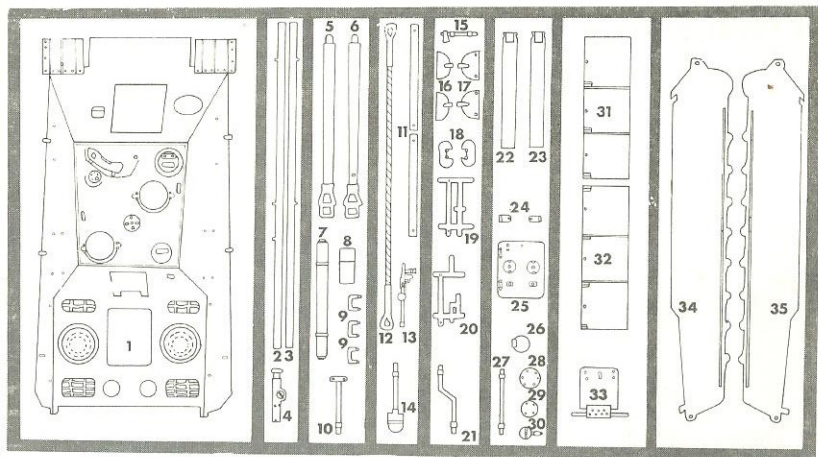
CLIMBING ABILITY: 35° (70%) SLOPE.

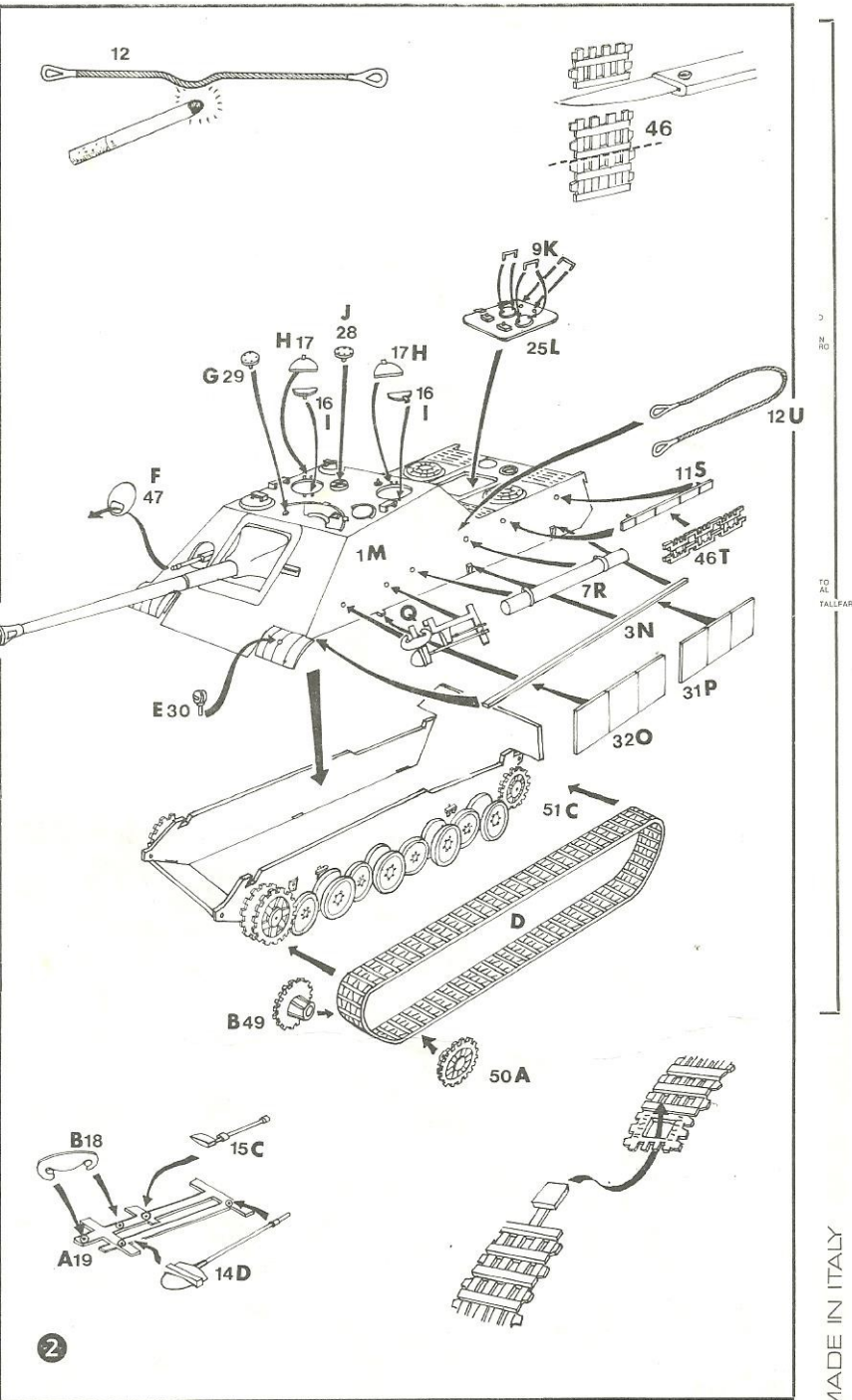
TRENCH CROSSING ABILITY: 6,25 FT.

FORDING DEPTH: 67 IN.

RADIUS OF ACTION: 124 MILES ON ROADS;
62 MILES CROSS-COUNTRY.







D
 N HO

TO
 ALL
 TALLFAR

