



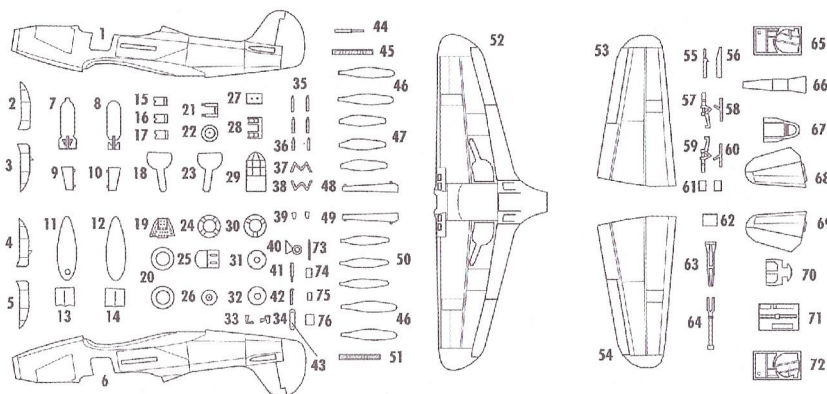
RS  
MODELS

92182

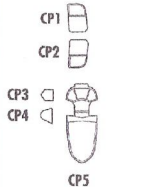
# Airacobra P-39Q

1:72 scale

The Airacobra entered first service with the RAF in October 1941. Only one RAF squadron ever received the Airacobra. No.601 "City of London" The Airacobra's brief RAF combat career lasted from 9-11 October 1941. No.601 Squadron sent its four airworthy aircraft on two fighter sweeps to France. Only eighty of the British Airacobras were assembled for the RAF. Of the remaining aircraft around 200 were quickly dispatched to the Soviet Union while the rest remained in the United States, and as the P-400 fought on New Guinea and Guadalcanal.



CLEAR PART (C)



POLYURETHAN PARTS (PUR)

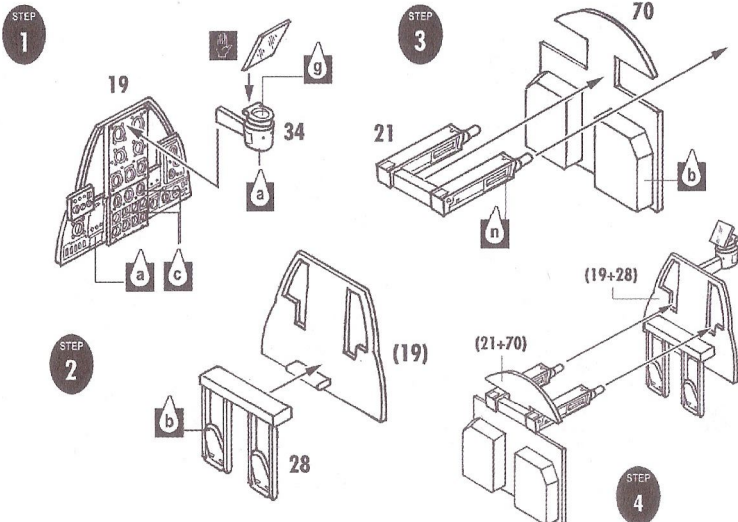


## LEGEND

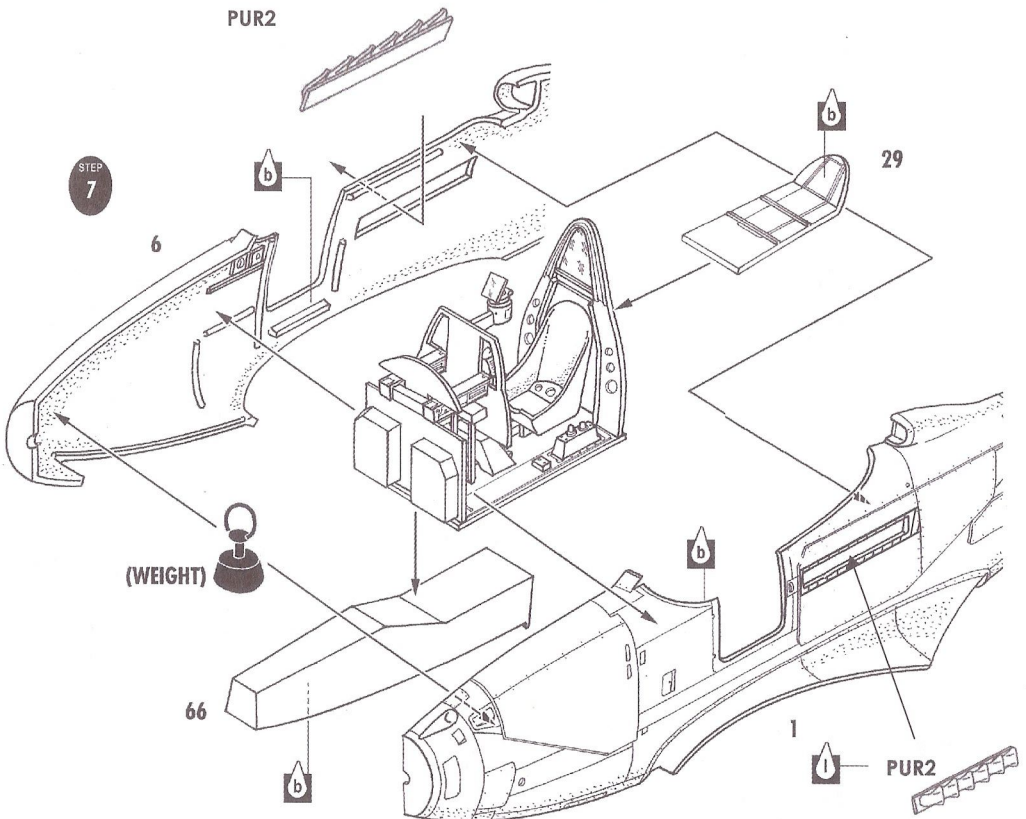
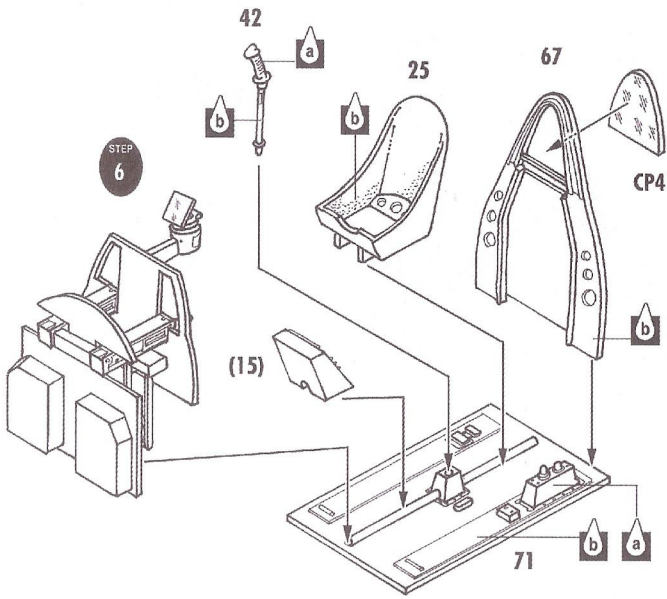


ohnout bend    vlefnové lepidlo cyanoacrylate glue    odstranit remove    upravit reduce    vrtat open hole    vyrobiť sťah build    obliak decal    barva color    film

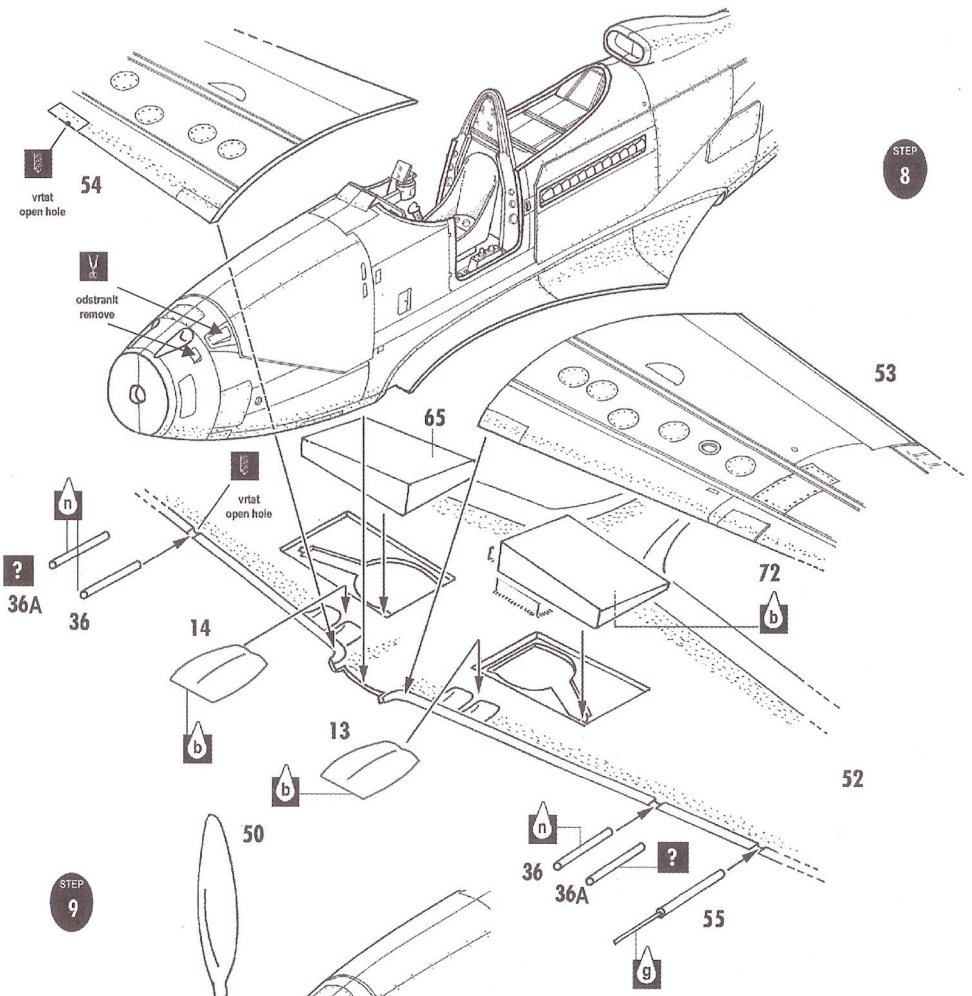
## COLORS



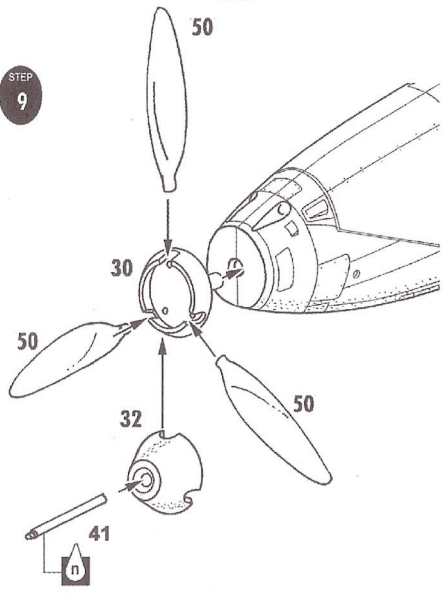
92182

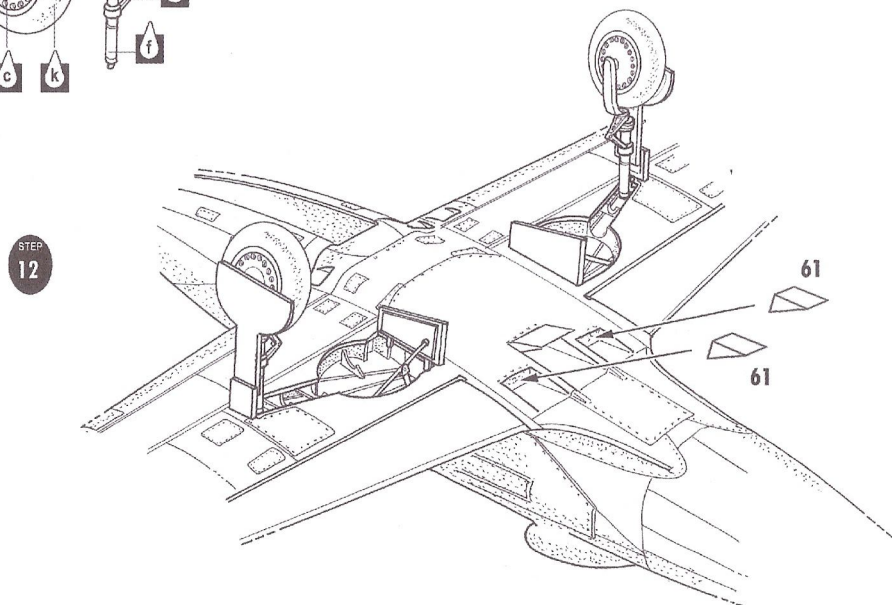
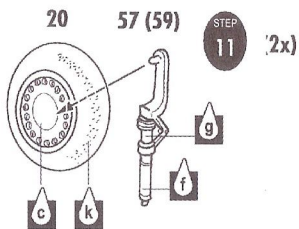
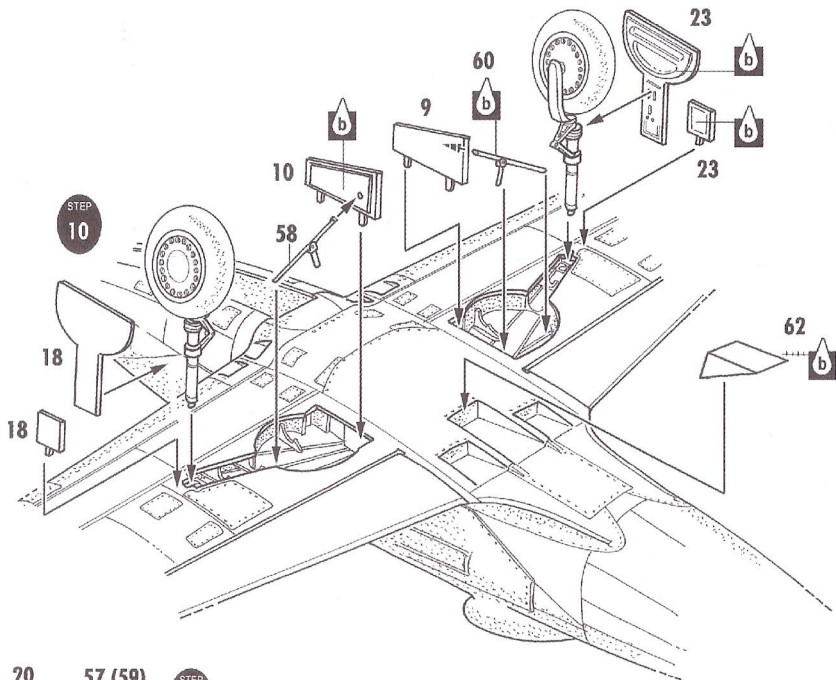


STEP  
8

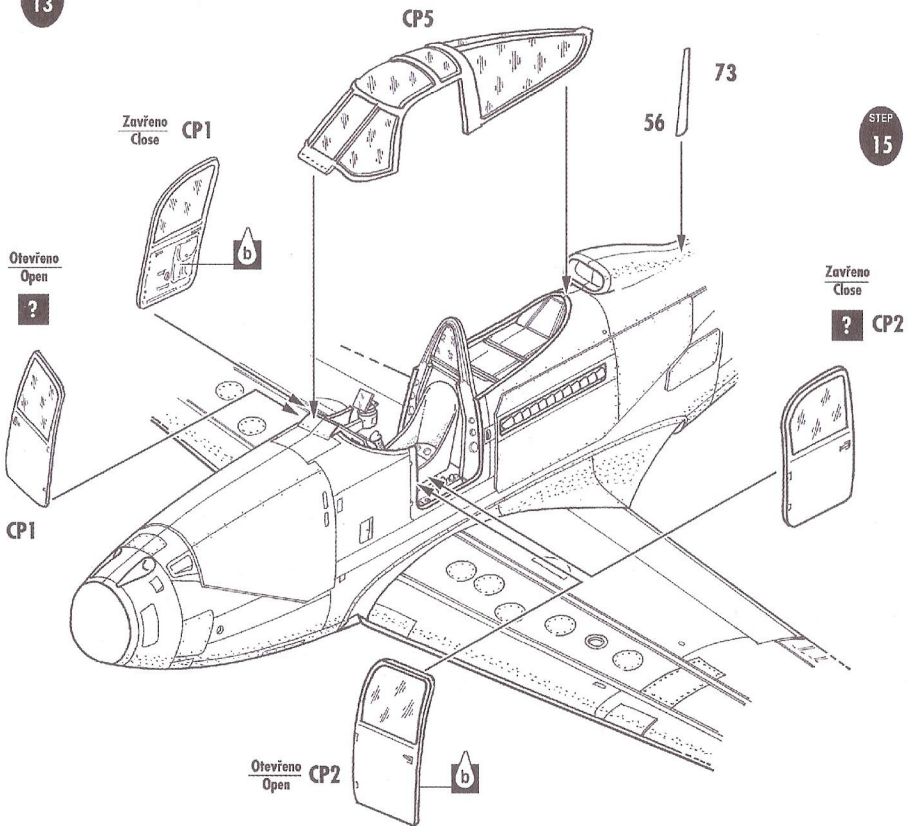
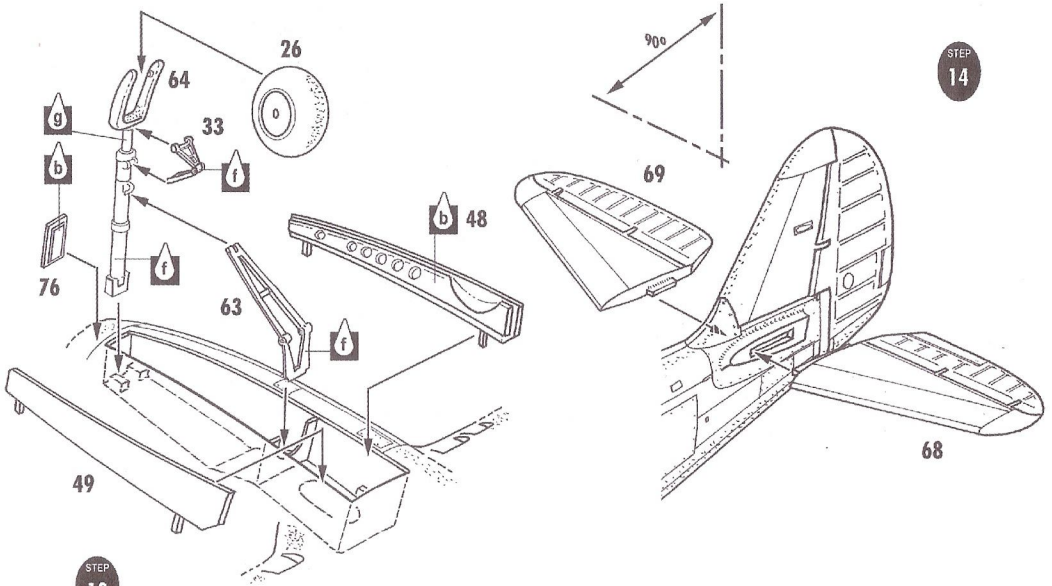


STEP  
9

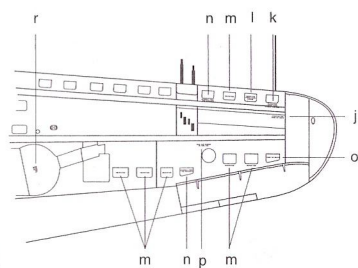
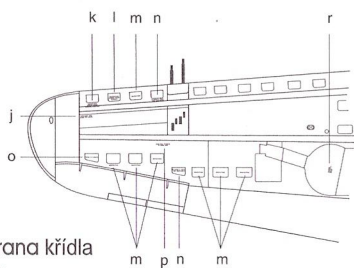
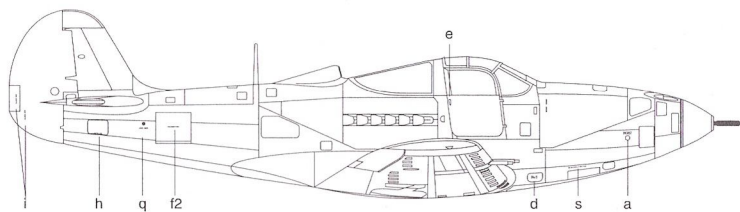
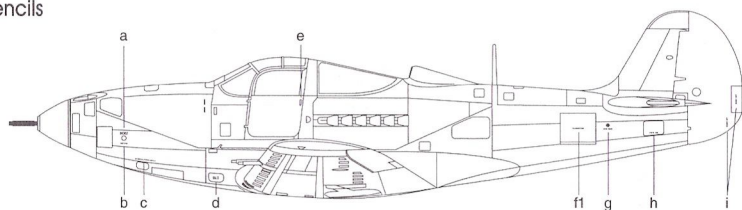








Popisky / Stencils



Spodní strana křídla  
Under side

